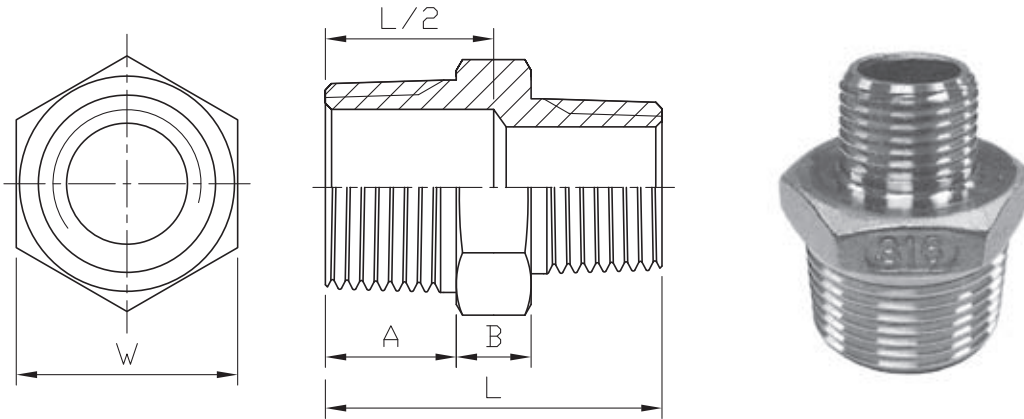


# Reducing Nipple

# F07

Class  
150



1/4"~2" Hexagon  
2-1/2"~4" Octagon

## Standard Pattern

SIZE		A		B		L		W	
		mm	in	mm	in	mm	in	mm	in
1/4"	1/8"	13	0.51	6	0.24	31	1.22	15.1	0.59
3/8"	1/8"	14	0.55	7	0.28	34	1.34	18.6	0.73
	1/4"	14	0.55	7	0.28	34	1.34	18.6	0.73
1/2"	1/8"	16.5	0.65	8	0.31	36.5	1.44	23	0.91
	1/4"	16.5	0.65	8	0.31	36.5	1.44	23	0.91
3/4"	3/8"	16.5	0.65	8	0.31	36.5	1.44	23	0.91
	1/8"	16	0.63	8	0.31	40	1.57	29	1.14
	1/4"	16	0.63	8	0.31	40	1.57	29	1.14
	3/8"	17	0.67	8	0.31	41	1.61	28.5	1.12
1"	1/2"	17	0.67	8	0.31	41.5	1.63	28.5	1.12
	1/4"	20	0.79	9	0.35	41	1.61	35.4	1.39
	3/8"	20	0.79	9	0.35	42.5	1.67	35.4	1.39
1-1/4"	1/2"	20	0.79	9	0.35	45	1.77	35.4	1.39
	3/4"	20	0.79	9	0.35	45	1.77	35.4	1.39
	1/4"	21	0.83	10	0.39	42	1.65	44.5	1.75
	3/8"	21	0.83	10	0.39	47	1.85	44.5	1.75
1-1/2"	1/2"	21	0.83	10	0.39	49	1.93	44.5	1.75
	3/4"	21	0.83	10	0.39	49	1.93	44.5	1.75
	1"	22	0.87	10	0.39	52	2.05	44.5	1.75
	1/4"	20	0.79	10.5	0.41	42.5	1.67	51	2.01
	3/8"	21	0.83	10	0.39	47	1.85	50	1.97
2"	1/2"	21	0.83	10	0.39	49	1.93	50	1.97
	3/4"	21	0.83	10	0.39	49	1.93	50	1.97
	1"	21.5	0.85	11	0.43	52.5	2.07	50	1.97
	1-1/4"	22	0.87	11	0.43	55	2.17	51	2.01
	3/8"	23	0.91	11	0.43	52	2.05	61.5	2.42
	1/2"	23	0.91	11	0.43	52	2.05	61.5	2.42
2-1/2"	3/4"	23	0.91	11	0.43	41.5	1.63	61.5	2.42
	1"	23	0.91	11	0.43	53.5	2.11	61.5	2.42
	1-1/4"	23	0.91	11	0.43	56	2.2	61.5	2.42
	1-1/2"	23	0.91	11	0.43	55.5	2.19	61.5	2.42
	3/4"	27.5	1.08	13	0.51	64	2.52	78	3.07
	1"	27.5	1.08	13	0.51	63.5	2.5	78	3.07
3"	1-1/4"	27.5	1.08	13	0.51	63.5	2.5	78	3.07
	1-1/2"	27.5	1.08	13	0.51	63.5	2.5	78	3.07
	2"	27.5	1.08	13	0.51	65.5	2.58	78	3.07
	1-1/2"	28	1.1	15	0.59	68	2.68	92	3.62
4"	2"	28	1.1	15	0.59	68.5	2.7	93	3.66
	2-1/2"	28.5	1.12	15	0.59	71	2.8	92	3.62
	2"	30	1.18	15	0.59	75	2.95	117	4.61
4"	2-1/2"	30	1.18	15	0.59	75	2.95	117	4.61
	3"	30	1.18	15	0.59	75	2.95	117	4.61

Tolerance:  $\pm 0.5\text{mm}$  (1/8"~2")  
 $\pm 0.8\text{mm}$  (2-1/2"~4")

## Economic Pattern

SIZE		A		B		L		W	
		mm	in	mm	in	mm	in	mm	in
1/4"	1/8"	11	0.43	6	0.24	29	1.14	15	0.59
3/8"	1/8"	12	0.47	7	0.28	31	1.22	18	0.71
	1/4"	12	0.47	7	0.28	32	1.26	18	0.71
1/2"	1/8"	14	0.55	7	0.28	34	1.34	23	0.91
	1/4"	14	0.55	7	0.28	35	1.38	23	0.91
	3/8"	14	0.55	7	0.28	36	1.42	23	0.91
3/4"	1/8"	14	0.55	7	0.28	34	1.34	29	1.14
	1/4"	14	0.55	7	0.28	35	1.38	29	1.14
	3/8"	14	0.55	7	0.28	36	1.42	29	1.14
	1/2"	14	0.55	7	0.28	39	1.54	29	1.14
1"	1/4"	17.5	0.69	9	0.35	41	1.61	35	1.38
	3/8"	17.5	0.69	9	0.35	42	1.65	35	1.38
	1/2"	17.5	0.69	9	0.35	45	1.77	35	1.38
	3/4"	17.5	0.69	9	0.35	45	1.77	35	1.38
1-1/4"	1/4"	18	0.71	10	0.39	42	1.65	45	1.77
	3/8"	18	0.71	10	0.39	43	1.69	45	1.77
	1/2"	18	0.71	10	0.39	46	1.81	45	1.77
	3/4"	18	0.71	10	0.39	46	1.81	45	1.77
	1"	18	0.71	10	0.39	50	1.97	45	1.77
1-1/2"	1/4"	18.5	0.73	10.5	0.41	42.5	1.67	50	1.97
	3/8"	18.5	0.73	10.5	0.41	43.5	1.71	50	1.97
	1/2"	18.5	0.73	10.5	0.41	46.5	1.83	50	1.97
	3/4"	18.5	0.73	10.5	0.41	46.5	1.83	50	1.97
	1"	18.5	0.73	10.5	0.41	50.5	1.99	50	1.97
	1-1/4"	18.5	0.73	10.5	0.41	50.5	1.99	50	1.97
	3/8"	20	0.79	11	0.43	45	1.77	62	2.44
2"	1/2"	20	0.79	11	0.43	48	1.89	62	2.44
	3/4"	20	0.79	11	0.43	48	1.89	62	2.44
	1"	20	0.79	11	0.43	52	2.05	62	2.44
	1-1/4"	20	0.79	11	0.43	52	2.05	62	2.44
	1-1/2"	20	0.79	11	0.43	52	2.05	62	2.44
	3/4"	22.5	0.89	13	0.51	52.5	2.07	78	3.07
2-1/2"	1"	22.5	0.89	13	0.51	56.5	2.22	78	3.07
	1-1/4"	22.5	0.89	13	0.51	56.5	2.22	78	3.07
	1-1/2"	22.5	0.89	13	0.51	56.5	2.22	78	3.07
	2"	22.5	0.89	13	0.51	57.5	2.26	78	3.07
	1-1/2"	25	0.98	15	0.59	61	2.4	91	3.58
3"	2"	25	0.98	15	0.59	62	2.44	91	3.58
	2-1/2"	25	0.98	15	0.59	64.5	2.54	91	3.58
	2"	27	1.06	15	0.59	64	2.52	117	4.61
4"	2-1/2"	27	1.06	15	0.59	66.5	2.62	117	4.61
	3"	27	1.06	15	0.59	69	2.72	117	4.61

Tolerance:  $\pm 0.5\text{mm}$  (1/8"~2")  
 $\pm 0.8\text{mm}$  (2-1/2"~4")

