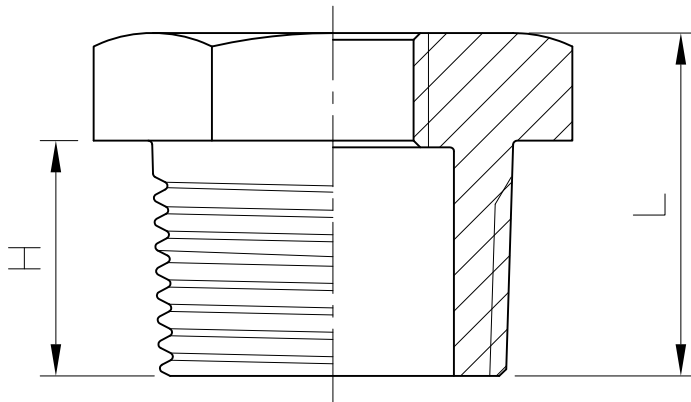
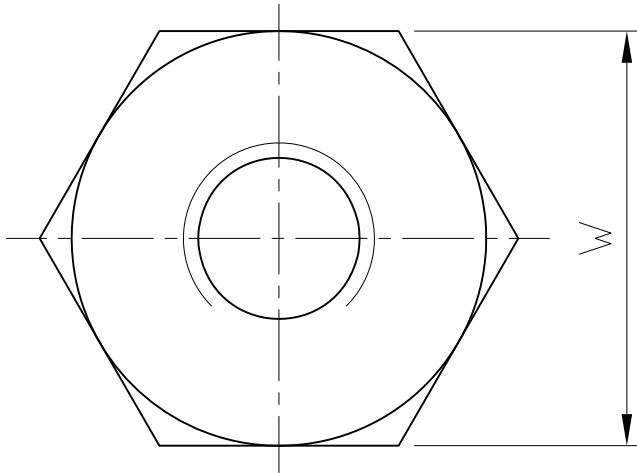


Ra	0.2
▽	1.6
▽	6.3
▽	25
▽	0.1
▽	0.2
▽	0.3
▽	0.5
▽	0.8

HAITIMA CORPORATION  
 P.O. BOX 34-36 TAIPEI  
 Tel:+886-2-26585800

E-mail: haitima@seednet.tw  
 TAIWAN R.O.C. www.haitima.com.tw  
 Fax: +886-2-26582266

# HEXAGON BUSHING



SIZE		H		L		W	
		mm	in	mm	in	mm	in
1/4"	1/8"	12.5	0.49	17	0.67	17	0.67
	3/8"	13	0.51	17.5	0.69	20	0.79
1/2"	1/4"	13	0.51	17.5	0.69	20	0.79
	3/8"	16	0.63	22	0.87	25	0.98
3/4"	1/4"	16	0.63	22	0.87	25	0.98
	3/8"	16	0.63	22	0.87	25	0.98
	1/2"	17	0.67	23	0.91	29.5	1.16
1"	1/4"	17	0.67	23	0.91	29.5	1.16
	3/8"	17	0.67	23	0.91	29.5	1.16
	1/2"	17	0.67	23	0.91	29.5	1.16
1-1/4"	1/8"	20	0.79	27	1.06	36.5	1.44
	1/4"	20	0.79	27	1.06	36.5	1.44
	3/8"	20	0.79	27	1.06	36.5	1.44
	1/2"	20	0.79	27	1.06	36.5	1.44
1-1/2"	1/8"	22	0.87	30	1.18	45.5	1.79
	1/4"	22	0.87	30	1.18	45.5	1.79
	3/8"	22	0.87	30	1.18	45.5	1.79
	1/2"	22	0.87	30	1.18	45.5	1.79

SIZE		H		L		W	
		mm	in	mm	in	mm	in
2"	1/4"	23.5	0.93	33.5	1.32	62	2.44
	3/8"	23.5	0.93	33.5	1.32	62	2.44
	1/2"	23.5	0.93	33.5	1.32	62	2.44
	3/4"	23.5	0.93	33.5	1.32	62	2.44
	1"	23.5	0.93	33.5	1.32	62	2.44
	1-1/4"	23.5	0.93	33.5	1.32	62	2.44
2-1/2"	1/2"	23.5	0.93	33.5	1.32	62	2.44
	3/4"	28.5	1.12	39.5	1.56	78	3.07
	1"	28.5	1.12	39.5	1.56	78	3.07
	1-1/4"	28.5	1.12	39.5	1.56	78	3.07
	1-1/2"	28.5	1.12	39.5	1.56	78	3.07
	2"	28.5	1.12	39.5	1.56	78	3.07
3"	1/2"	28.5	1.12	40	1.57	91	3.58
	3/4"	28.5	1.12	40	1.57	91	3.58
	1"	28.5	1.12	40	1.57	91	3.58
	1-1/4"	28.5	1.12	40	1.57	91	3.58
	1-1/2"	28.5	1.12	40	1.57	91	3.58
	2"	28.5	1.12	40	1.57	91	3.58
4"	2-1/2"	28.5	1.12	40	1.57	91	3.58
	1/2"	30	1.18	44.5	1.75	117	4.61
	3/4"	30	1.18	44.5	1.75	117	4.61
	1"	30	1.18	44.5	1.75	117	4.61
	1-1/4"	30	1.18	44.5	1.75	117	4.61
	1-1/2"	30	1.18	44.5	1.75	117	4.61

1/8"~2" Hexagon  
 2-1/2"~4" Octagon

Tolerance: ± 0.5mm(1/8"~2")  
 ± 0.8mm(2-1/2"~4")

△			
△			
△			
Revise	Description	Date	Approve
DRAWING NO. F12		-09	



HAITIMA CORPORATION  
 Ball Valves & Pipe Fittings

CHECK BY	DRAWING BY	DATE	SPECIFICATION	Hexagon Bushing
	Dune	Jun.29.2009	MATERIAL	304/316
			PROCESS/No.	
			UNIT / SCALE	mm

