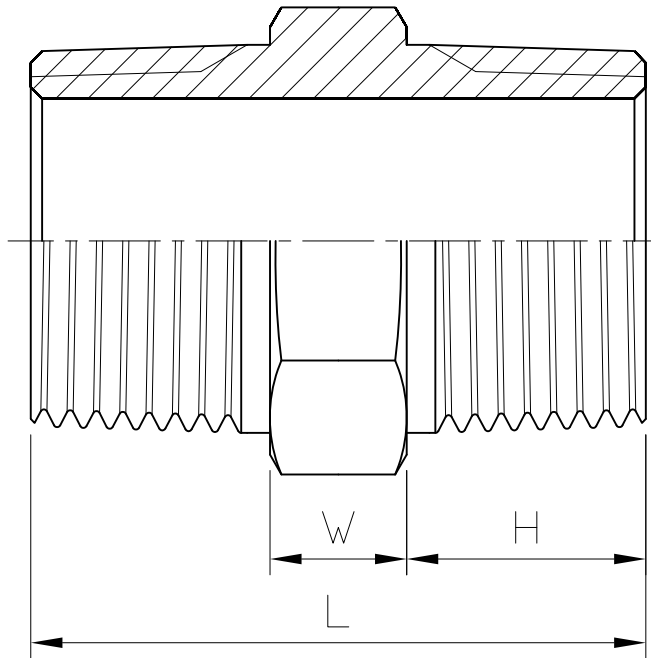
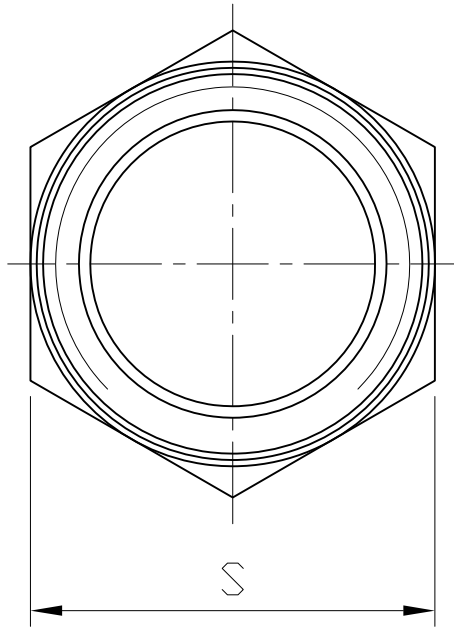


HEXAGON NIPPLE



1/8"~2" Hexagon
2-1/2"~4" Octagon

SIZE	1/8"		1/4"		3/8"		1/2"		3/4"		1"		1-1/4"		1-1/2"		2"		2-1/2"		3"		4"	
	mm	in	mm	in	mm	in	mm	in	mm	in	mm	in	mm	in	mm	in	mm	in	mm	in	mm	in	mm	in
W	5.7	0.22	6	0.24	6.1	0.24	7.6	0.3	8.4	0.33	8.3	0.33	10	0.39	10.2	0.4	10.6	0.42	13.1	0.52	13	0.51	14.5	0.57
H	12.2	0.48	13	0.51	13	0.51	17.2	0.68	17.6	0.69	20.4	0.8	20.8	0.82	20.7	0.81	22	0.87	25	0.98	27.5	1.08	30.3	1.19
S	13.3	0.52	15.2	0.6	18.5	0.73	23	0.91	29	1.14	35	1.38	44	1.73	50	1.97	62	2.44	78	3.07	91	3.58	117	4.61
L	30	1.18	32	1.26	32	1.26	42	1.65	43.5	1.71	49	1.93	51.5	2.03	51.5	2.03	54.5	2.15	63	2.48	68	2.68	75	2.95

Tolerance: $\pm 0.5\text{mm}$ (1/8"~2")
 $\pm 0.8\text{mm}$ (2-1/2"~4")

Ra	0.2	▽▽▽▽
1.6	▽▽	
6.3	▽	
25	▽	
Q	~	

GENERAL TOLERANCE	0.5-5	± 0.1
	6-30	± 0.2
	31-120	± 0.3
	121-320	± 0.5
	321-1000	± 0.8

HAITIMA CORPORATION
P.O.BOX 34-36 TAIPEI
Tel:+886-2-26585800
E-mail:haitima@seednet.tw
www.haitimo.com.tw
TAIWAN R.O.C.
F.o.x:+886-2-26582266



HAITIMA CORPORATION
Ball Valves & Pipe Fittings

CHECK BY	DRAWING BY	DATE	SPECIFICATION	Hexagon Nipple
	<i>Dune</i>	Jun.29.2009	MATERIAL	304/316
			PROCESS/Nr.	
			UNIT / SCALE	mm

△			
△			
△			
Revise	Description	Date	Approve
DRAWING NO. F06		-09	