

## STAINLESS STEEL Y STRAINER THREADED FEMALE BSP

Stainless steel Y strainer threaded female BSP for filtration of fluids in chemical and pharmaceutical industries, petrochemical industries, hydraulic installation, compressed air.

Strainer with removable filter and bolted bonnet

Threaded BSP draining cap allowing to install a draining valve.

2 PTFE gaskets for the bonnet and the cap.

Strainer in accordance with the regulation (EC) N° 1935/2004 on request.



PED 2014/68/EU



**Size :** DN1/4" to DN2"  
**Connection :** Female BSP  
**Min Temperature :** -50°C  
**Max Temperature :** +200°C  
**Max Pressure :** 16 Bars  
**Specifications :** Removable stainless steel filter  
Bolted bonnet with draining cap  
PTFE gaskets

**Materials :** Stainless steel EN 1.4408

**STAINLESS STEEL Y STRAINER THREADED FEMALE BSP**

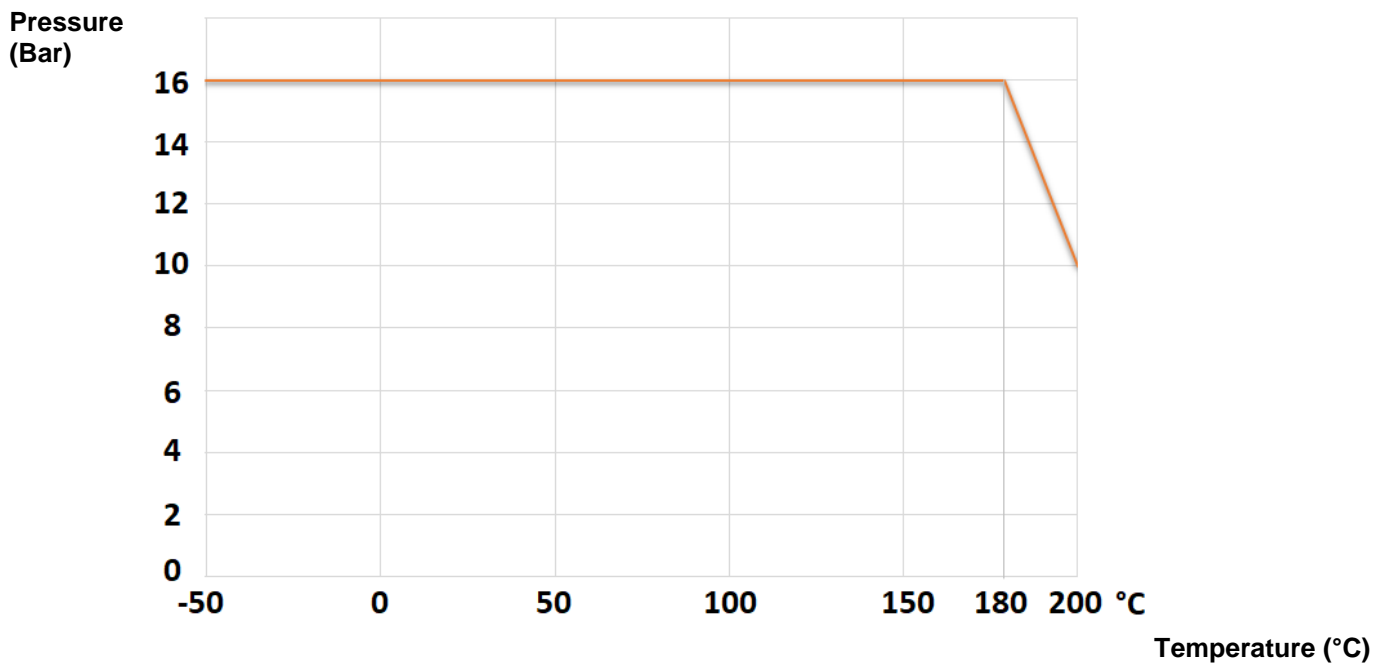
**SPECIFICATIONS :**

- With draining cap
- Removable stainless steel filter
- Respect the flow direction indicated by the arrow
- Horizontal or vertical position with descendant fluid
- Mesh 10/10° mm ( 1000 μ )

**USE :**

- For Chemical and pharmaceutical industries, petrochemical industries, hydraulic installation, compressed air
- Steam : 10 bars max
- Min and max Temperature Ts : - 50°C to + 200°C
- Max Pressure Ps : 16 bars

**PRESSURE / TEMPERATURE GRAPH (STEAM EXCLUDED) :**



**FLOW COEFFICIENT Kvs ( M3 / h ) :**

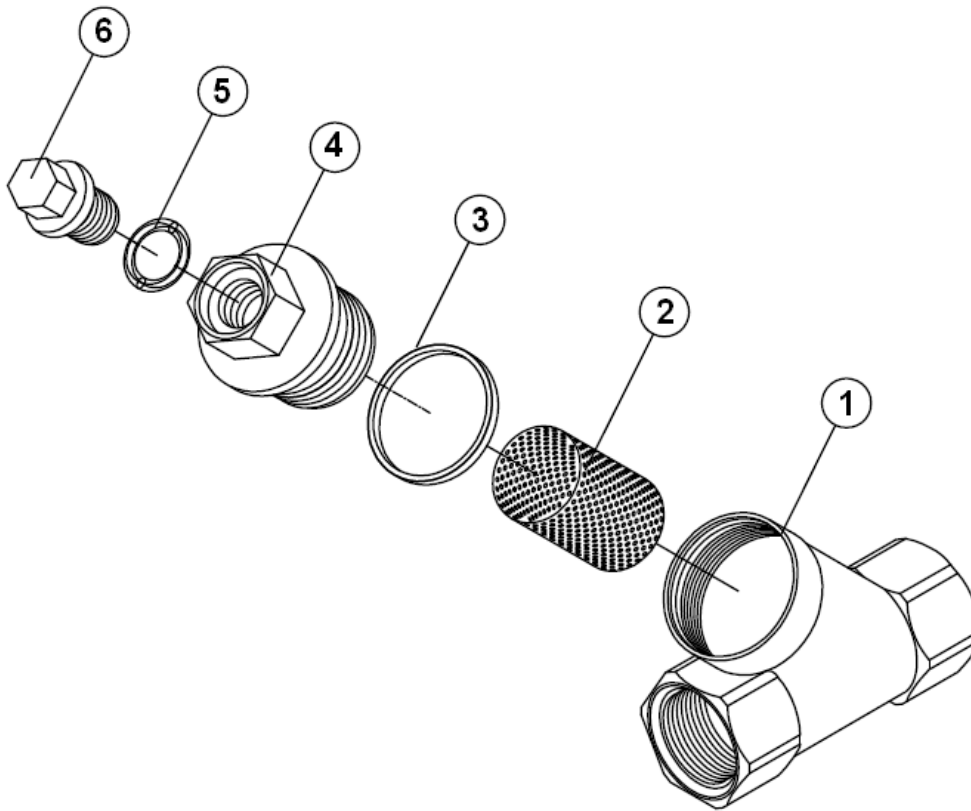
DN	1/4"	3/8"	1/2"	3/4"	1"	1"1/4"	1"1/2"	2"
Kvs ( m3/h )	3.5	4.5	5.7	7.9	16	23	36	50

**RANGE :**

- Stainless steel Y strainer threaded female BSP cylindrical ends **Ref. 230** from DN1/4" to DN2"
- Screen alone with mesh 2.5/10° (250μ) **Ref. 9801419-9802424**

**STAINLESS STEEL Y STRAINER THREADED FEMALE BSP**

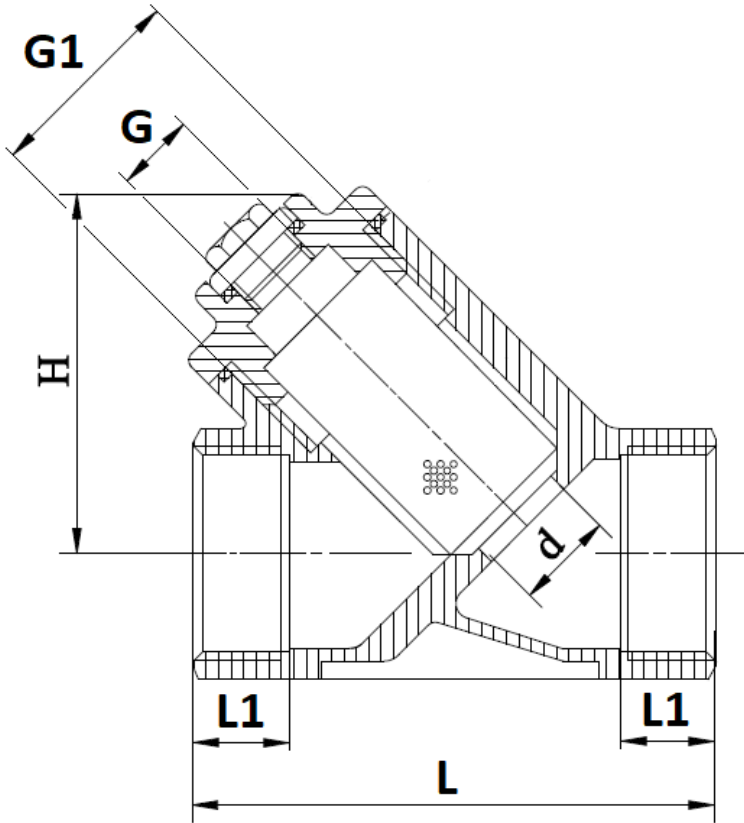
**MATERIALS :**



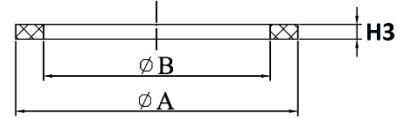
Item	Designation	Materials
1	Body	EN 1.4408
2	Filter	AISI 316
3	Body gasket	PTFE
4	Bonnet	EN 1.4408
5	Cap gasket	PTFE
6	Cap	AISI 316

**STAINLESS STEEL Y STRAINER THREADED FEMALE BSP**

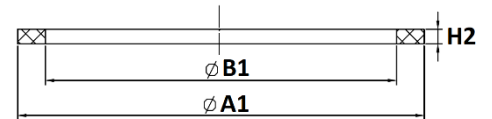
SIZE ( in mm ) :



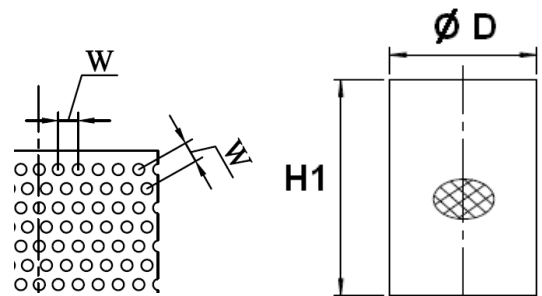
Drain gasket size :



Bonnet gasket size :



Screen size :



DN	1/4"	3/8"	1/2"	3/4"	1"	1"1/4	1"1/2	2"
L	64			80	89	106.5	118	139
L1	15			16	18	22		25
Ø d	9.5	12	15	20	25	32	38	49
G	1/4"				3/8"	1/2"		
G1	M24x1.5			M30x1.5	M40x1.5	M42x1.5	M50x1.5	M60x1.5
H	43		45	52	68	70	80	98
Mesh	1							
W	2							
Ø D	19			23.5	33	36	44	54
H1	29			40.5	49	54	64	76
Ø A	17.6				24.2	26.2		
Ø B	13.6				17	21.2		
H3	1.2				1.3	1.4		
Ø A1	27.5			32.5	42.8	45.7	53.7	65
Ø B1	24.5			30.2	40.3	42.5	50.5	60.5
H2	1.4					1.7		
Weight ( Kg )	0.22	0.22	0.23	0.35	0.62	0.84	1.08	1.65
Ref.	230002	230003	230004	230005	230006	230007	230008	230009

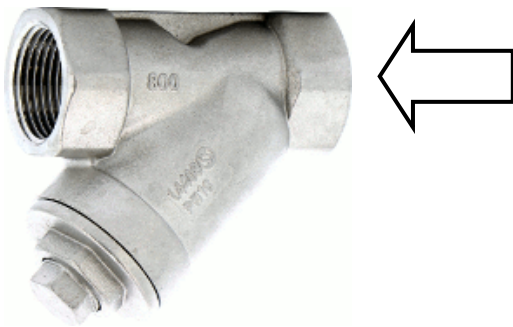
**STAINLESS STEEL Y STRAINER THREADED FEMALE BSP**

**STANDARDS :**

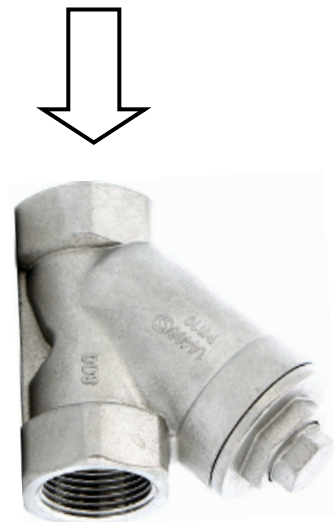
- Manufacturer certified ISO 9001 : 2015
- DIRECTIVE 2014/68/EU : For liquids and gas of Group 1
  - DN1/4"-1" : Article 4, §3 (SEP), no CE marking
  - DN1"1/4"-2" : Risk Category I, CE 0036 marking
- Certificate 3.1 on request
- Threaded BSP cylindrical female ends according to ISO 228/1
- Strainer in accordance with the regulation **(EC) N° 1935-2004 on request**

**INSTALLATION POSITIONS :**

**Horizontal position**



**Vertical position ( descendand fluid )**



**ADVICE :** Our opinion and our advice are not guaranteed and SFERACO shall not be liable for the consequences of damages. The customer must check the right choice of the products with the real service conditions.