

BRASS Y STRAINER FEMALE BSP ACS 4MS

Brass Y strainer for water distribution and watering.
Mesh 850 μ stainless steel AISI 304 screen.
EPDM gasket.
Suitable for drinking water thanks to the French ACS certificate.



Size : DN3/8" to DN2"1/2
Connection : Female BSP
Min Temperature : -10°C
Max Temperature : +120°C
Max Pressure : 16 Bars up to DN2"
Specifications : For drinking water (ACS)
Removable stainless steel filter
Mesh 850 μ
Vertical or Horizontal position

Materials : Brass body CW617N-4MS according to EN12165

BRASS Y STRAINER FEMALE BSP ACS 4MS

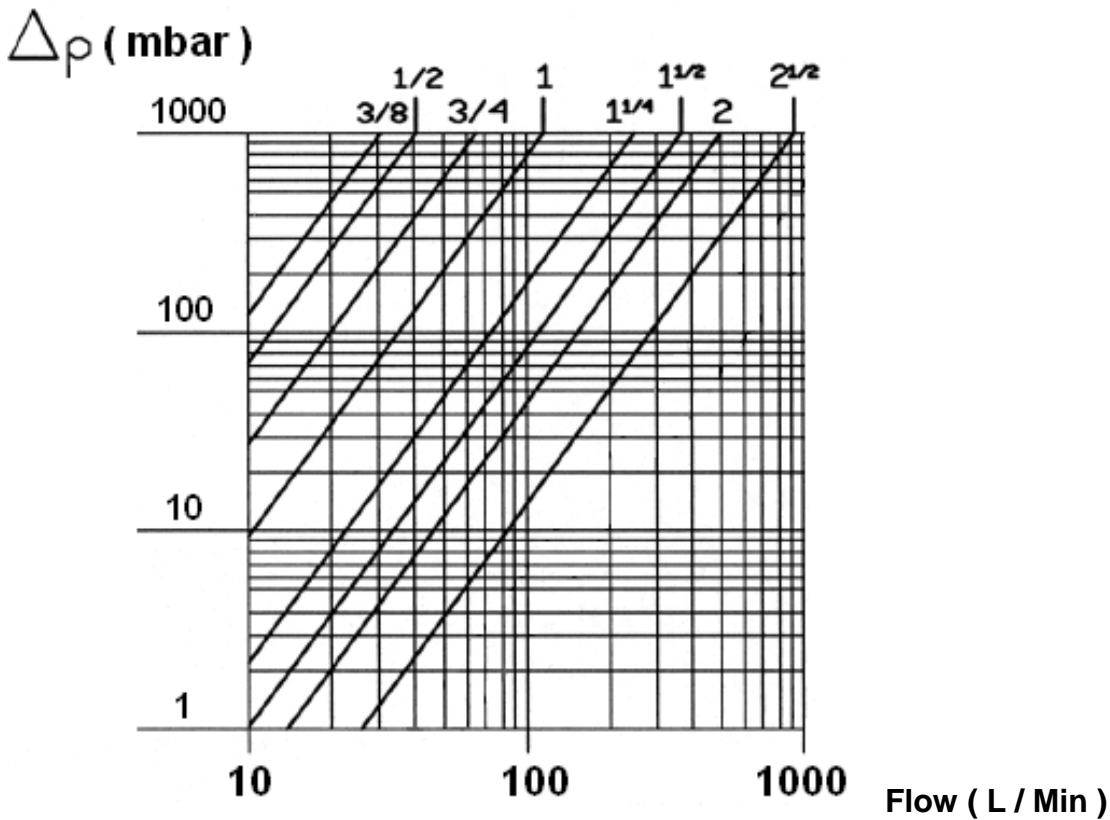
SPECIFICATIONS :

- Brass CW617N-4MS
- Removable stainless steel filter
- Female / female type
- Horizontal or vertical position (respect the flow direction indicated by the arrow)
- Mesh 8.5/10° mm (850 μ)

USE :

- Water distribution and watering
- Min Temperature Ts : - 10°C
- Max Temperature Ts :+ 120°C
- Max Pressure Ps : 16 bars up to DN2" , 10 bars over

HEAD LOSS :



FLOW COEFFICIENT Kvs (M3 / h) :

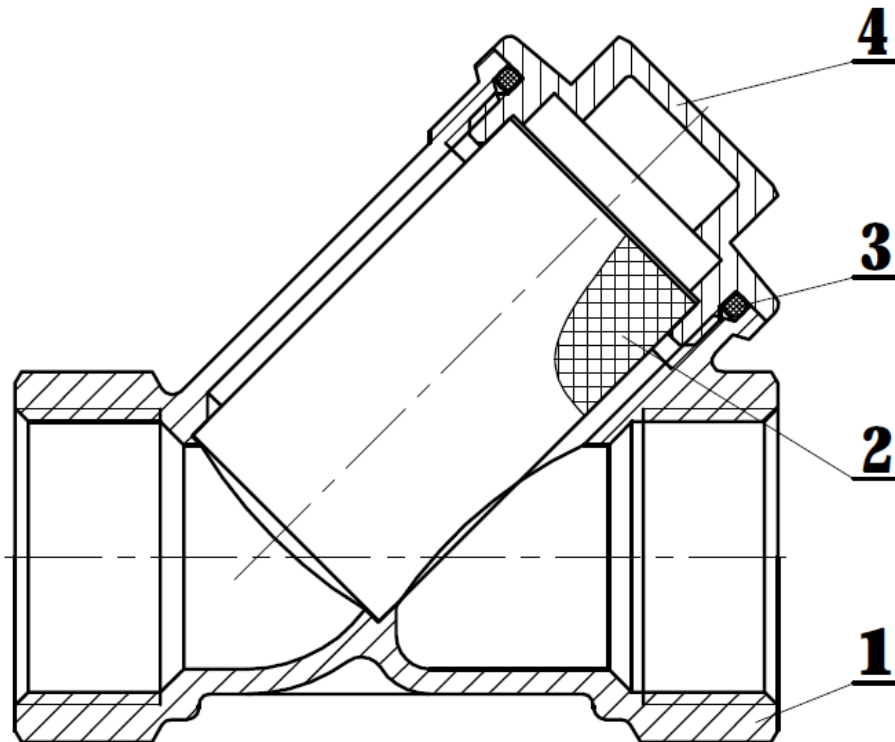
DN	3/8"	1/2"	3/4"	1"	1"1/4	1"1/2	2"
Kvs (m3/h)	1.31	4.07	8.11	11.15	17.24	26.14	26.38

BRASS Y STRAINER FEMALE BSP ACS 4MS

RANGE :

- Y Strainer threaded BSP cylindrical ends DN 3/8" to DN 2"1/2

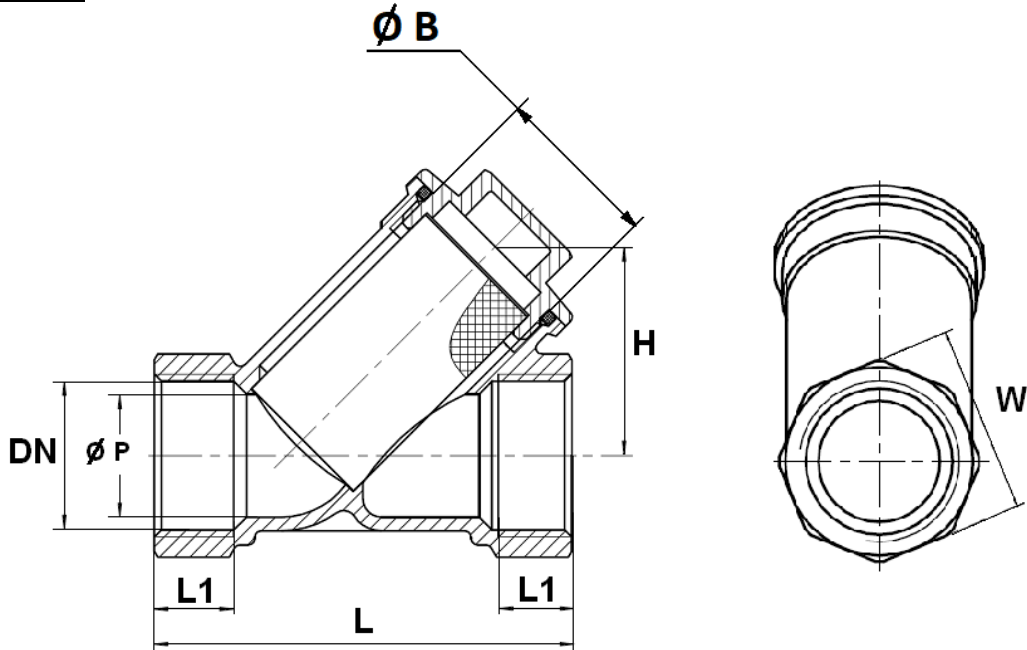
MATERIALS :



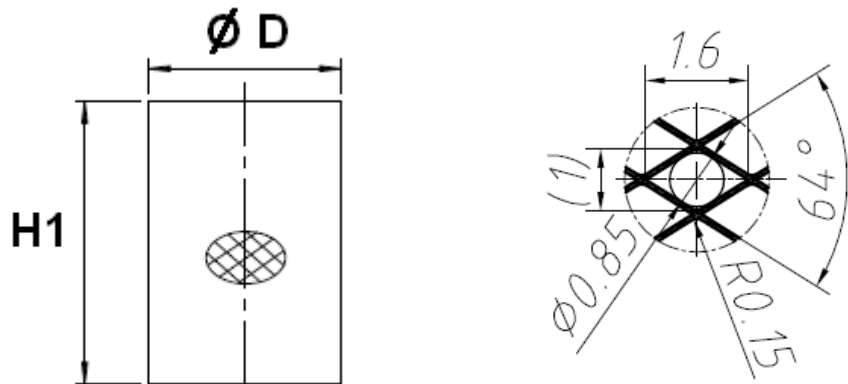
Item	Designation	Materials
1	Body from DN3/8" to DN2"	Brass CW617N-4MS according to EN 12165
1	Body DN2"1/2	Brass CW617N according to EN 12165
2	Filter	AISI 304
3	O ring	EPDM
4	Cap from DN3/8" to DN2"	Brass CW617N-4MS according to EN 12165
4	Cap DN2"1/2	Brass CW617N according to EN 12165

BRASS Y STRAINER FEMALE BSP ACS 4MS

SIZE (in mm) :



Filter size :



DN	3/8"	1/2"	3/4"	1"	1"1/4	1"1/2	2"	2"1/2
Ø P	12	15.6	20	26	32	42	50	60
L	48	58	68	75	90	108	130	150
L1	9	11	13	14	16.5	18	20	20
Ø B	M18x1.5	M22.5x1.5	M28.5x1.5	M33x1.5	M38.5x1.5	M47.5x1.5	M58x1.5	M72x1.5
H	22	23.5	33.3	38	42	49.5	61	75.3
W	20	25	31	38	47	54	67	84
Ø D	14.5	18.5	23.5	27.5	33.5	42.5	52.5	65
H1	22	25	40	40.5	46	54	63	83
Weight (Kg)	0.07	0.14	0.22	0.34	0.48	0.77	1.22	2.1
Ref.	206003	206004	206005	206006	206007	206008	206009	206010

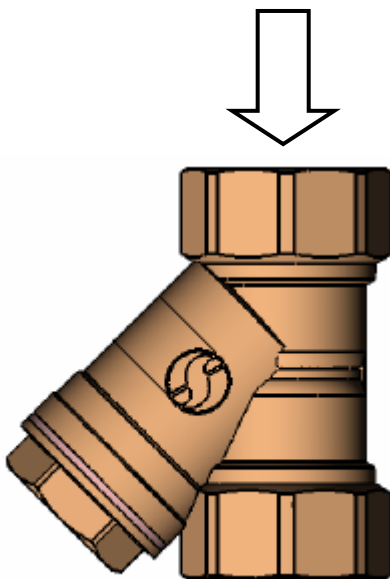
BRASS Y STRAINER FEMALE BSP ACS 4MS

STANDARDS :

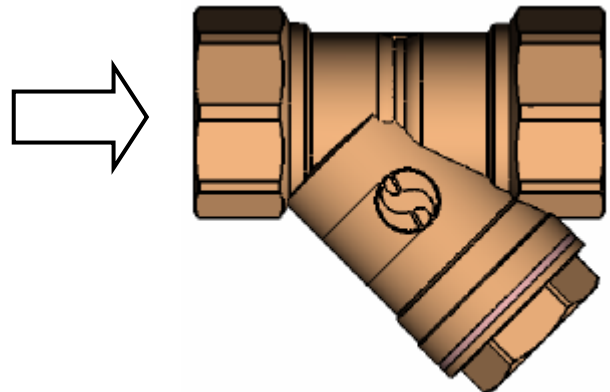
- Manufacturer certified ISO 9001 :2015
- DIRECTIVE 2014/68/EU : Products excluded from directive (Article 1, § 2.b)
- French water agreement **A.C.S. N° 21 ACC LY 404**
- Threaded female BSP cylindrical according to ISO 228-1

INSTALLATION POSITIONS :

Vertical position (descendand fluid)



Horizontal position



ADVICE : Our opinion and our advice are not guaranteed and SFERACO shall not be liable for the consequences of damages.
The customer must check the right choice of the products with the real service conditions.