

BRASS BALL VALVE ACS PN40 REFERENCE + LEAD FREE 4MS

4MS lead free brass ball valves full bore with large flat sealing face for drinking water and water distribution.
PTFE packing and anti blow-out stem.
Flat black reversible steel handle with Dacromet coating.
Stainless steel ball from DN3/4" to 4" , warranty 5 Years



Size : DN 1/4" to 4"
Ends : Male, Female BSP
Min Temperature : -10°C
Max Temperature : +120°C
Max Pressure : 40 Bars
Specifications : Anti blow-out stem
PTFE packing
Full bore

Materials : Lead Free Brass CW510L-4MS (CuZn42)

*the installation defects and wear defects are not covered by the guarantee

BRASS BALL VALVE ACS PN40 REFERENCE + LEAD FREE 4MS

SPECIFICATIONS :

- Body in lead free brass CW510L 4MS (CuZn42)
- Brass CW510L according to the materials list authorized by the 4 MS
- Full bore
- Anti blow-out stem
- Large flat sealing face
- Stainless steel ball from DN3/4" to 4"
- PTFE packing
- Flat steel handle or aluminium butterfly handle
- Handle nut Dacromet coated (salt spray protection)
- Marking body " 9SP " with ACS, 4MS, fabrication date and logo
- ACS and 4MS marking on the handle
- Reversible handle
- Hole on the handle allowing the locking of the valve (thanks to a rilsan clamp)



USE :

- Heating, drinkable water, cooling, watering and irrigation
- Min temperature Ts : - 10°C
- Max temperature Ts : + 120°C
- Max Pressure Ps : 40 bars up to DN 1" , 30 bars in 1"1/4 , 25 bars in 1"1/2 , 20 bars in 2" and 10 bars over

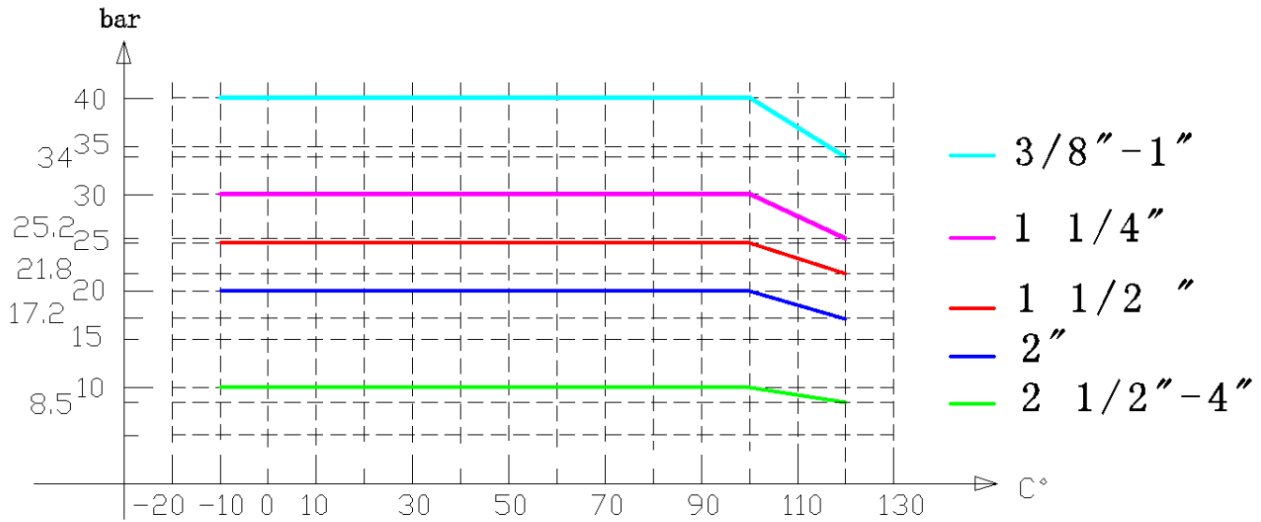
RANGE :

- Female / Female with blue flat steel handle **Ref. 501** DN 1/4" to 4"
- Female / Female with red flat steel handle **Ref. 509** DN 1/4" to 4"
- Female / Female with red butterfly handle **Ref. 525** DN 1/4" to 1"
- Male / Female with blue flat steel handle **Ref. 517** DN 1/4" to 2"
- Male / Female with red flat steel handle **Ref. 571** DN 1/4" to 2"
- Male / Female with red butterfly handle **Ref. 570** DN 1/4" to 1"
- Male / Male with blue flat steel handle **Ref. 518** DN 3/8" to 2"
- Male / Male with red flat steel handle **Ref. 566** DN 3/8" to 2"
- Male / Male with red butterfly handle **Ref. 565** DN 3/8" to 1"
- Female / Female with drainer with red flat steel handle **Ref. 510** DN 1/2" to 2"
- Female / Female with drainer with red butterfly handle **Ref. 530** DN 1/2" to 1"



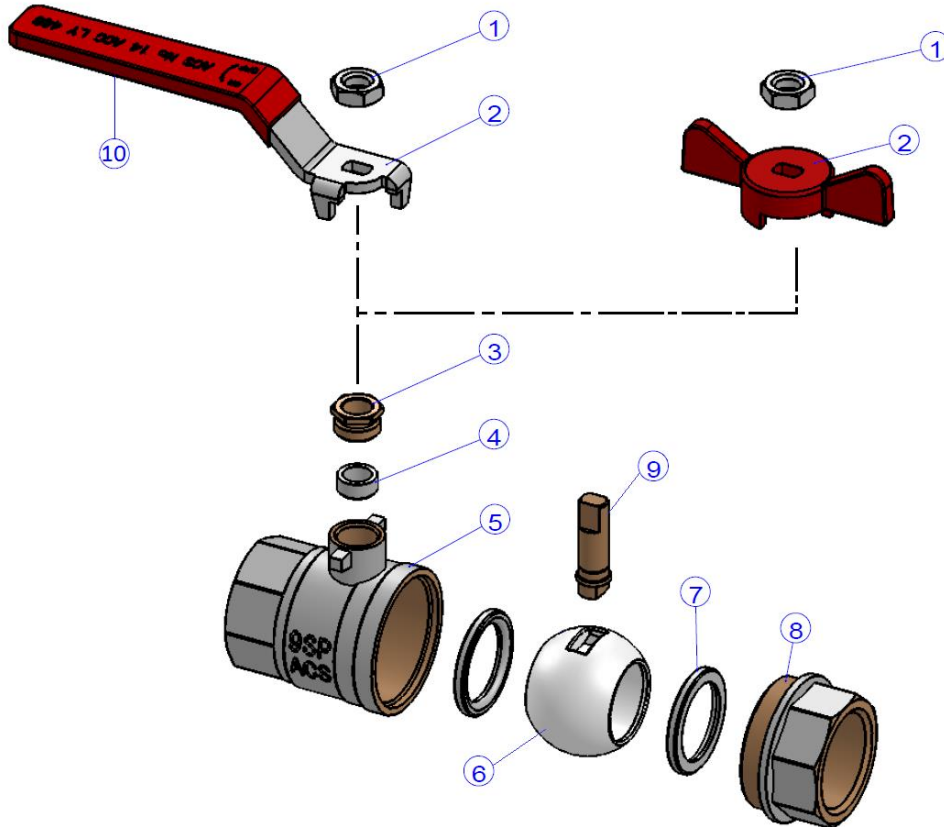
BRASS BALL VALVE ACS PN40 REFERENCE + LEAD FREE 4MS

PRESSURE / TEMPERATURE GRAPH (STEAM EXCLUDED) :



BRASS BALL VALVE ACS PN40 REFERENCE + LEAD FREE 4MS

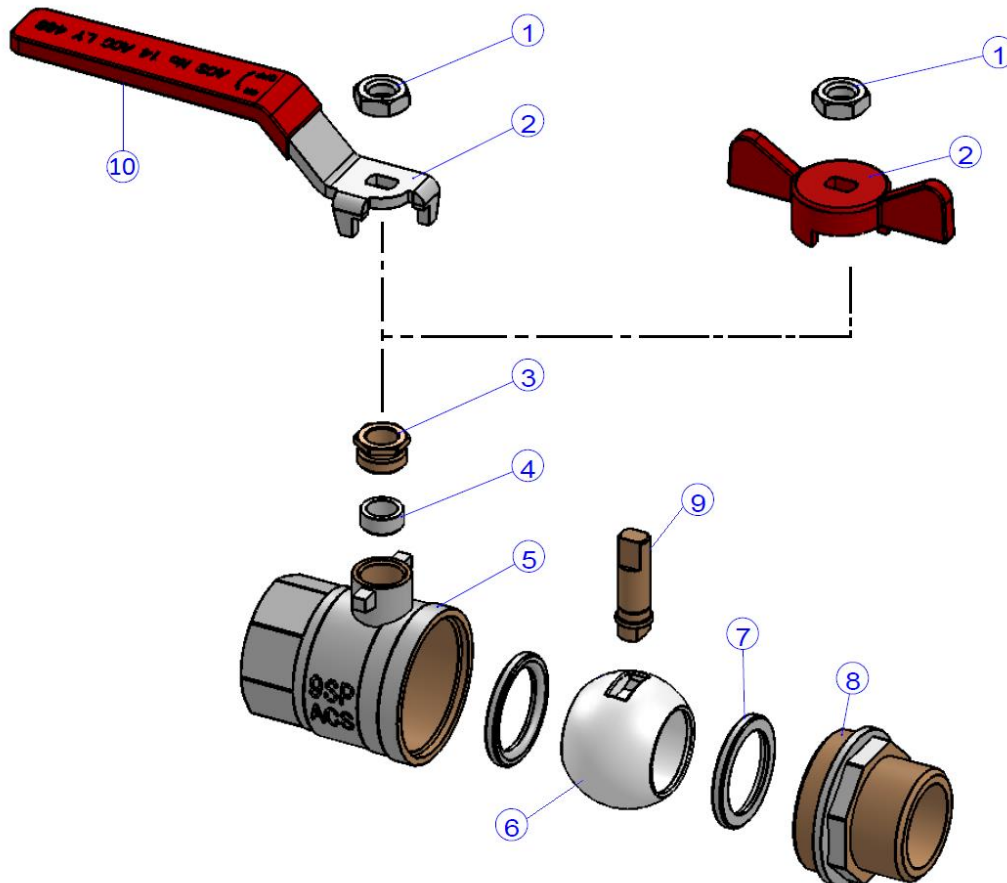
MATERIALS FEMALE – FEMALE TYPE :



Item	Designation	Materials 501-509	Materials 525
1	Handle nut	Steel Q235 Dacromet coated	
2	Handle	Steel Q235 chromed	Aluminium
3	Packing nut	Brass	
4	Packing	PTFE	
5	Body (external)	Brass CW 510 L 4MS (CuZn42) according to EN 12165 nickered	
5	Body (internal)	Brass CW 510 L 4MS (CuZn42) according to EN 12165	
6	Ball DN1/4" - 1/2"	Brass CW 510 L 4MS (CuZn42) according to EN 12165 chromed	
6	Ball DN3/4" - 4"	AISI 304	
7	Seat	PTFE	
8	Bonnet (external)	Brass CW 510 L 4MS (CuZn42) according to EN 12165 nickered	
8	Bonnet (internal)	Brass CW 510 L 4MS (CuZn42) according to EN 12165	
9	Stem	Brass CW 617 N 4MS according to EN 12165	
10	Handle cover	Plastic	-

BRASS BALL VALVE ACS PN40 REFERENCE + LEAD FREE 4MS

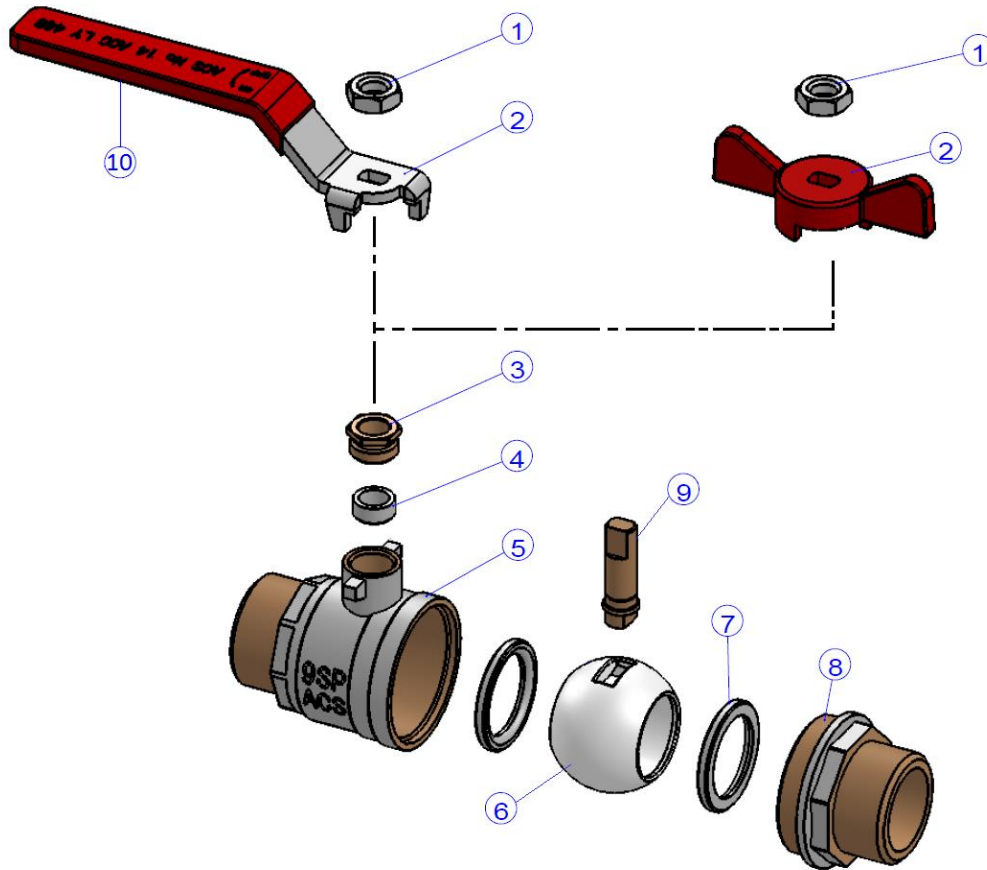
MATERIALS MALE – FEMALE TYPES:



Item	Designation	Materials 517-571	Materials 570
1	Handle nut	Steel Q235 Dacromet coated	
2	Handle	Steel Q235 chromed	Aluminium
3	Packing nut	Brass	
4	Packing	PTFE	
5	Body (external)	Brass CW 510 L 4MS (CuZn42) according to EN 12165 nickeled	
5	Body (internal)	Brass CW 510 L 4MS (CuZn42) according to EN 12165	
6	Ball DN1/4" - 1/2"	Brass CW 510 L 4MS (CuZn42) according to EN 12165 chromed	
6	Ball DN3/4" - 2"	AISI 304	
7	Seat	PTFE	
8	Bonnet (external)	Brass CW 510 L 4MS (CuZn42) according to EN 12165 nickeled	
8	Bonnet (internal)	Brass CW 510 L 4MS (CuZn42) according to EN 12165	
9	Stem	Brass CW 617 N 4MS according to EN 12165	
10	Handle cover	Plastic	Plastic

BRASS BALL VALVE ACS PN40 REFERENCE + LEAD FREE 4MS

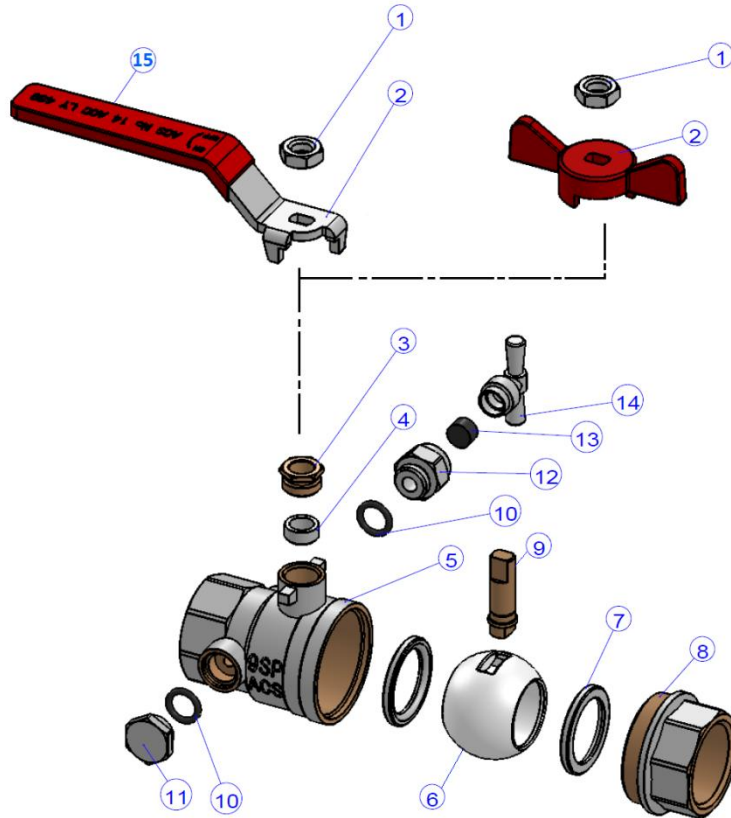
MATERIALS MALE – MALE TYPES :



Item	Designation	Materials 518-566	Materials 565
1	Handle nut	Steel Q235 Dacromet coated	
2	Handle	Steel Q235 chromed	Aluminium
3	Packing nut	Brass	
4	Packing	PTFE	
5	Body (external)	Brass CW 510 L 4MS (CuZn42) according to EN 12165 nickeled	
5	Body (internal)	Brass CW 510 L 4MS (CuZn42) according to EN 12165	
6	Ball DN3/8" - 1/2"	Brass CW 510 L 4MS (CuZn42) according to EN 12165 chromed	
6	Ball DN3/4" - 2"	AISI 304	
7	Seat	PTFE	
8	Bonnet (external)	Brass CW 510 L 4MS (CuZn42) according to EN 12165 nickeled	
8	Bonnet (internal)	Brass CW 510 L 4MS (CuZn42) according to EN 12165	
9	Stem	Brass CW 617 N 4MS according to EN 12165	
10	Handle cover	Plastic	Plastic

BRASS BALL VALVE ACS PN40 REFERENCE + LEAD FREE 4MS

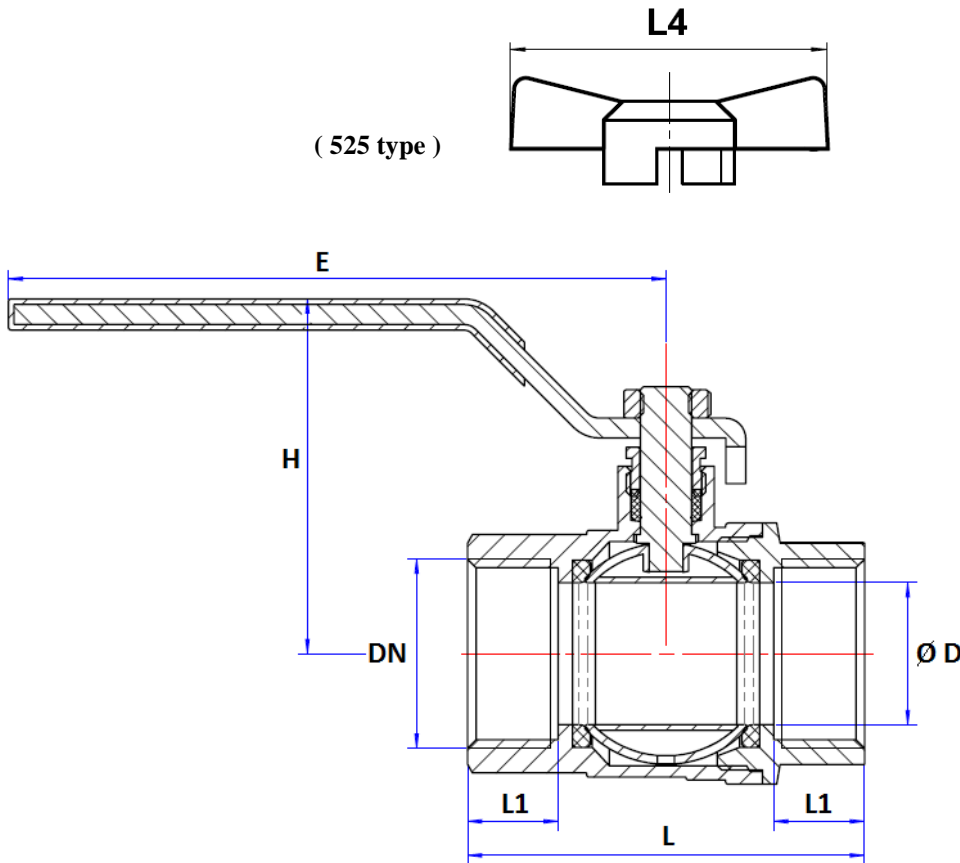
MATERIALS FEMALE – FEMALE WITH DRAINER TYPES :



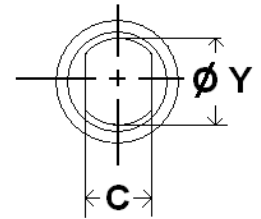
Item	Designation	Materials 510	Materials 530
1	Handle nut	Steel Q235 Dacromet coated	
2	Handle	Steel Q235 chromed	Aluminium
3	Packing nut	Brass	
4	Packing	PTFE	
5	Body (external)	Brass CW 510 L 4MS (CuZn42) according to EN 12165 nickeled	
5	Body (internal)	Brass CW 510 L 4MS (CuZn42) according to EN 12165	
6	Ball DN1/2"	Brass CW 510 L 4MS (CuZn42) according to EN 12165 chromed	
6	Ball DN3/4" - 2"	AISI 304	
7	Seat	PTFE	
8	Bonnet (external)	Brass CW 510 L 4MS (CuZn42) according to EN 12165 nickeled	
8	Bonnet (internal)	Brass CW 510 L 4MS (CuZn42) according to EN 12165	
9	Stem	Brass CW 617 N 4MS according to EN 12165	
10	O ring	NBR	
11	Plug	Brass CW 617 N according to EN 12165 nickeled	
12	Manifold	Brass CW 617 N according to EN 12165 nickeled	
13	Ring	NBR	
14	Screw	Brass CW 617 N according to EN 12165 nickeled	
15	Handle cover	Plastic	-

BRASS BALL VALVE ACS PN40 REFERENCE + LEAD FREE 4MS

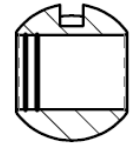
FEMALE / FEMALE SIZE (in mm) :



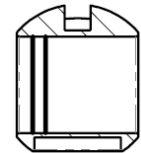
Stem size :



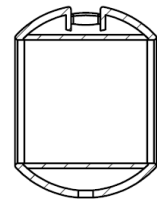
Ball DN 1/4" - 3/8"



Ball DN 1/2"



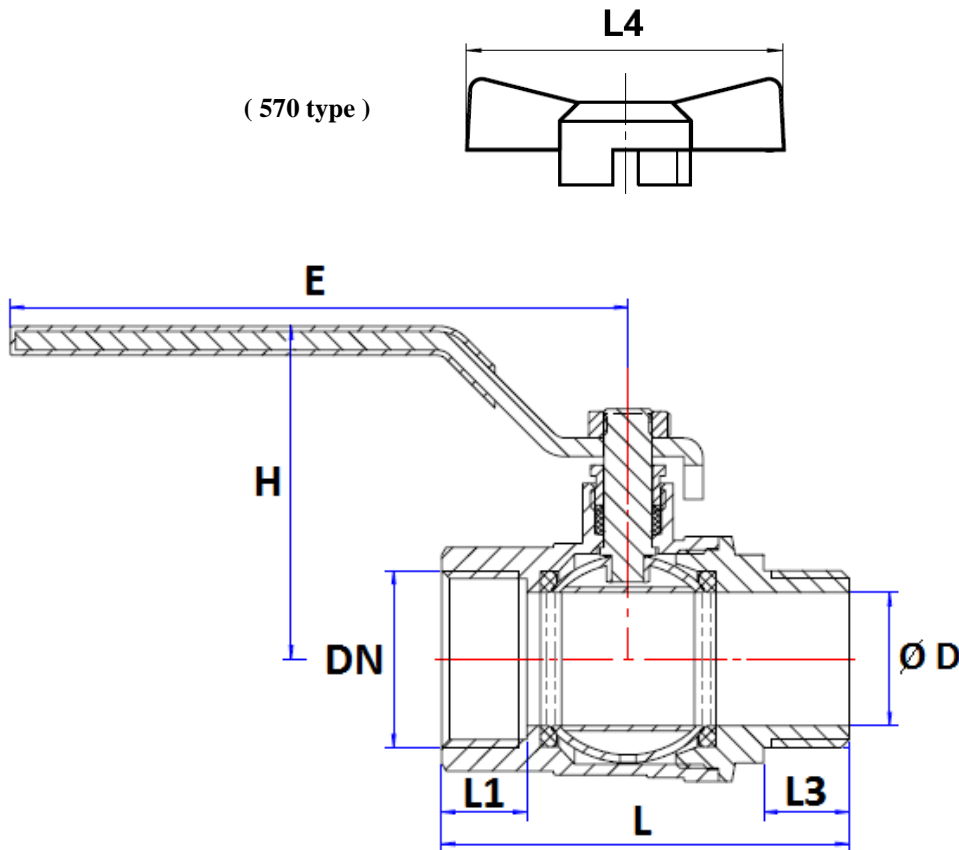
Ball DN 3/4" - 4"



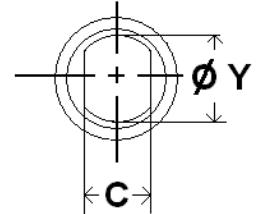
Ref.	DN	1/4"	3/8"	1/2"	3/4"	1"	1"1/4"	1"1/2"	2"	2"1/2"	3"	4"
501 509 525	Ø D	9.5	10	15	20	25	32	39.5	49.5	63	79	99
	L	45	45	53	61.4	70	84	94	105	136	160	189
	L1	12	12	13	14.5	16	18	19	19	25	28	32
	L4	54	54	54	70	70						
	E	80	80	90	101	116	122	140	143	240	240	245
	H	45.3	45.3	49	58.8	62.5	73	78.5	98	116	126	149
	C	4.8	4.8	4.8	5.8	5.8	6.8	6.8	7.8	11.8	11.8	11.8
	Ø Y	M6x1		M8x1.25		M9x1.25		M10x1.5			M14x2	
Ref. 525	Weight (Kg)	0.13	0.11	0.18	0.25	0.42						
Ref. 501/509	Weight (Kg)	0.15	0.14	0.21	0.29	0.45	0.79	0.91	1.47	3.37	4.99	7.44

BRASS BALL VALVE ACS PN40 REFERENCE + LEAD FREE 4MS

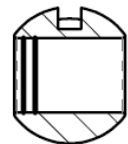
MALE / FEMALE SIZE (in mm) :



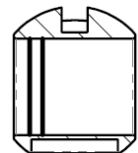
Stem size :



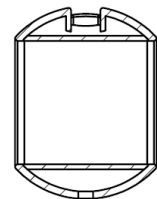
Ball DN 1/4" - 3/8"



Ball DN 1/2"



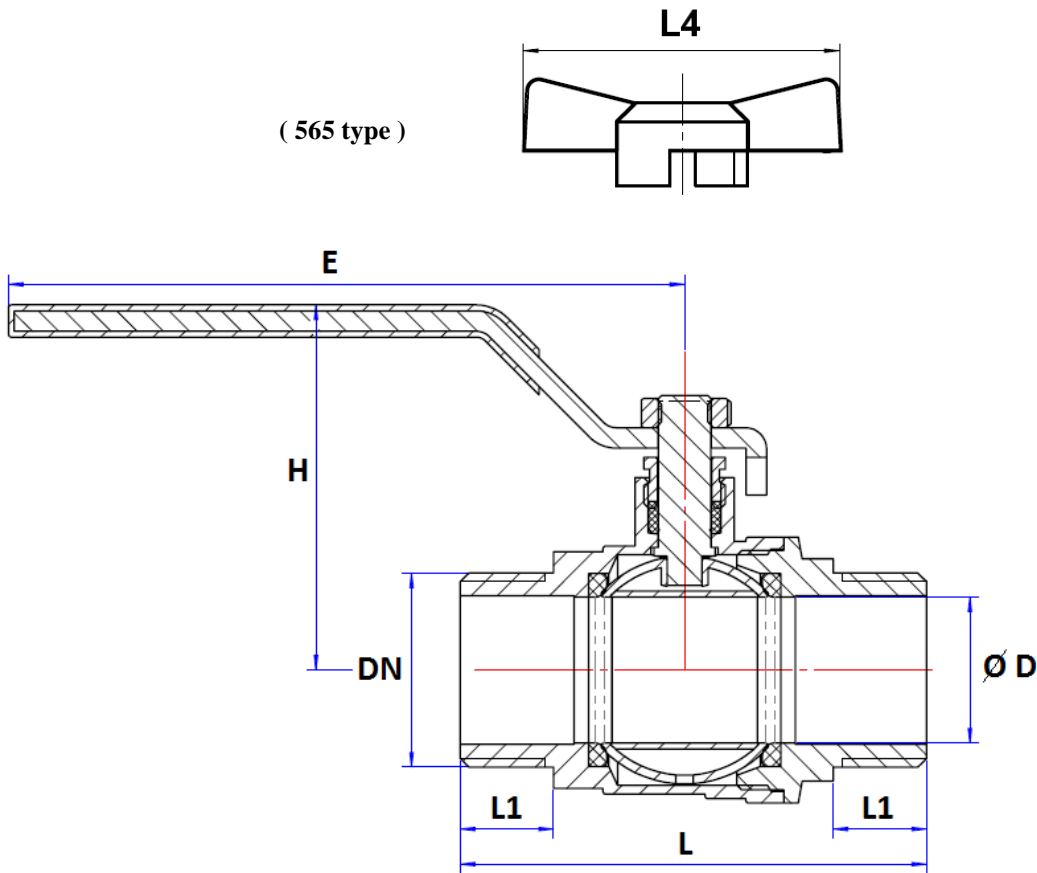
Ball DN 3/4" - 2"



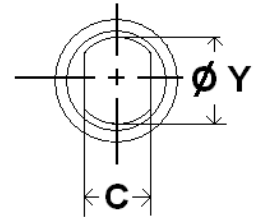
Ref.	DN	1/4"	3/8"	1/2"	3/4"	1"	1"1/4"	1"1/2"	2"
517 570 571	Ø D	9.5	10	15	20	25	32	39.5	49.5
	L	49.5	49.5	58.5	66.4	76.5	89.5	104.5	116
	L1	12	12	13	14.5	16	18	19	19
	L3	10	10	12	14	16	16	17.5	19
	L4	54	54	54	70	70			
	E	80	80	90	101	116	122	140	143
	H	45.3	45.3	49	58.8	62.5	73	78.5	98
	C	4.8	4.8	4.8	5.8	5.8	6.8	6.8	7.8
	Ø Y	M6x1		M8x1.25	M9x1.25		M10x1.5		
Ref. 570	Weight (Kg)	0.12	0.12	0.19	0.25	0.41			
Ref. 517/571	Weight (Kg)	0.15	0.15	0.22	0.29	0.46	0.82	1.15	1.57

BRASS BALL VALVE ACS PN40 REFERENCE + LEAD FREE 4MS

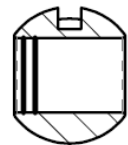
MALE / MALE SIZE (in mm) :



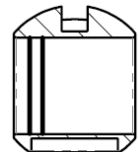
Stem size :



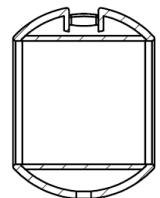
Ball DN 3/8"



Ball DN 1/2"



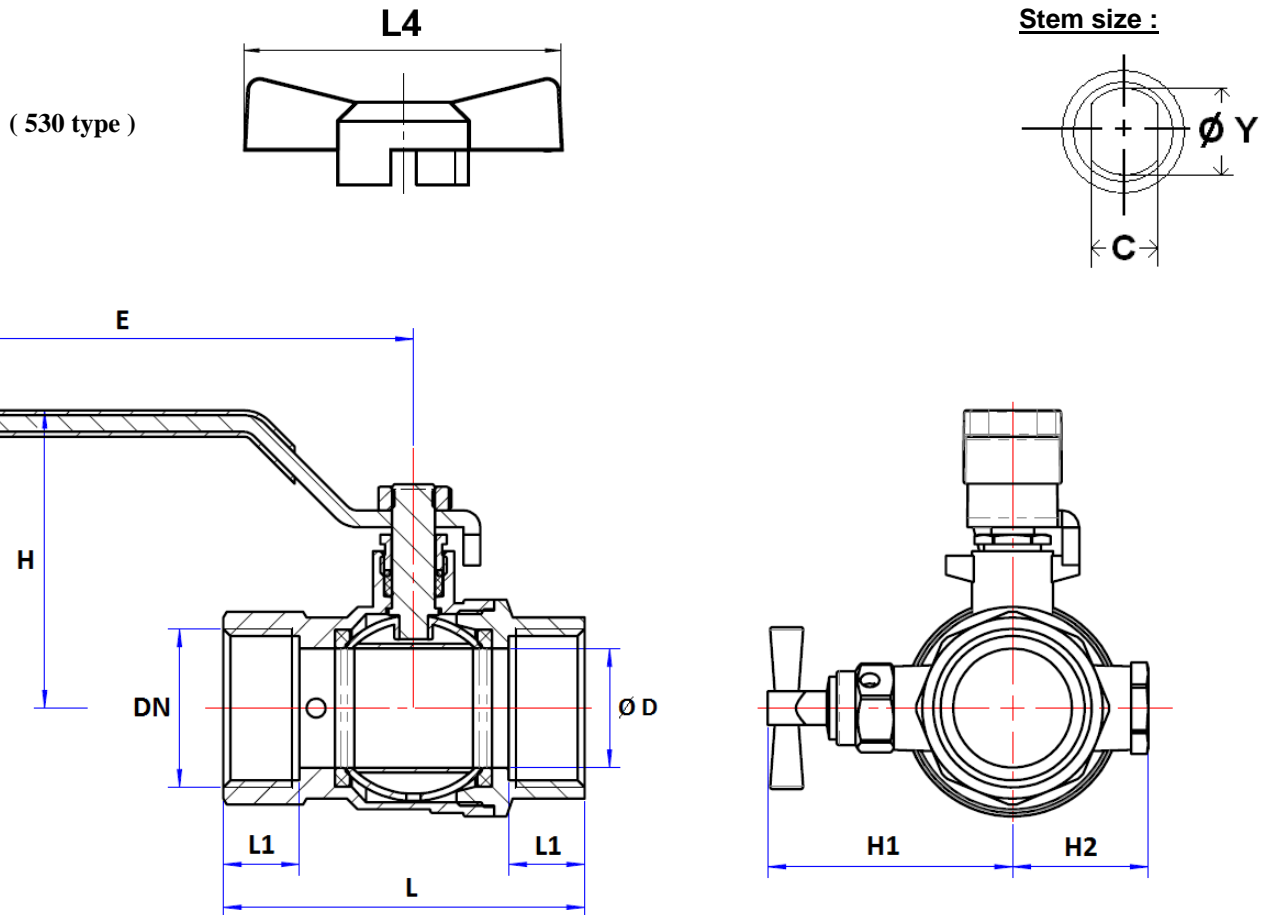
Ball DN 3/4" - 2"



Ref.	DN	3/8"	1/2"	3/4"	1"	1"1/4"	1"1/2"	2"
518 565 566	Ø D	10	15	20	25	32	39.5	49.5
	L	50.5	59	69.4	80	94.5	108	116.5
	L1	10	12	14	16	16	17.5	19
	L4	54	54	70	70			
	E	80	90	101	116	122	140	143
	H	45.3	49	58.8	62.5	73	78.5	98
	C	4.8	4.8	5.8	5.8	6.8	6.8	7.8
	Ø Y	M6x1	M8x1.25	M9x1.25		M10x1.5		
Ref. 565	Weight (Kg)	0.12	0.18	0.26	0.4			
Ref. 518/566	Weight (Kg)	0.15	0.22	0.29	0.45	0.83	1.1	1.55

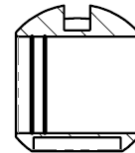
BRASS BALL VALVE ACS PN40 REFERENCE + LEAD FREE 4MS

FEMALE / FEMALE WITH DRAINER SIZE (in mm) :

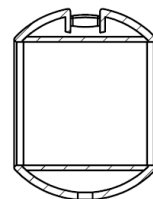


Ref.	DN	1/2"	3/4"	1"	1"1/4"	1"1/2"	2"
510 530	Ø D	15	20	25	32	39.5	49.5
	L	58.5	65.4	76	88.5	99.5	110.5
	L1	13	18.5	16	18	19	19
	E	90	101	116	122	140	143
	H	49	58.8	62.5	73	78.5	98
	H1	45.5	48.7	51.5	56.5	60.5	67.5
	H2	22.5	25.7	28.5	33.5	37.5	44.5
	C	4.8	5.8	5.8	6.8	6.8	7.8
	Ø Y	M8x1.25	M9x1.25	M10x1.5			
Ref. 510	Weight (Kg)	0.28	0.35	0.5	0.79	1.15	1.57
Ref. 530	Weight (Kg)	0.25	0.32	0.44			

Ball DN 1/2"



Ball DN 3/4" - 2"





BRASS BALL VALVE ACS PN40 REFERENCE + LEAD FREE 4MS

STANDARDS :

- Manufacturer certified ISO 9001 :2015 and ISO 14001 : 2015
- DIRECTIVE 2014/68/UE : Products excluded from directive (Article 1, § 2.b)
- French water agreement **A.C.S. N° 19 ACC LY 649**
- Threaded female and male BSP cylindrical ends according to ISO 228-1

ADVICE : Our opinion and our advice are not guaranteed and SFERACO shall not be liable for the consequences of damages.
The customer must check the right choice of the products with the real service conditions.