

2 PIECES F316L FORGED BALL VALVE CLASS 1500

2 pieces ball valve 1500lbs forged stainless steel with full bore for Chemical and Pharmaceutical industries, petrochemical industries, hydraulic installation, heating and compressed air.

For fluids at high pressure and high temperature.

PTFE filled with 25% Carbon packing and body gasket and PEEK seat or DELRIN®.

Compatible with explosive atmosphere, ATEX Zone 1&21 and Zone 2&22 thanks to the double antistatic device.

Handling possible with locking device, stainless steel handle or oval hand wheel.

Fire safe design BS 6755-2.



NACE
MR01-75

Certificate
3.1



Size : DN1/4" to DN2"

Connection : Threaded female BSP or NPT, SW

Min Temperature : -30°C

Max Temperature : +250°C (+80°C with DELRIN® seat)

Max Pressure : 248 Bars (Class 1500)

Specifications : Anti blow-out stem

ATEX

Antistatice device

Full bore

PEEK seat or DELRIN®

Materials : Forged Stainless Steel ASTM A276 316L

2 PIECES F316L FORGED BALL VALVE CLASS 1500

SPECIFICATIONS :

- Full bore
- Anti blow-out stem
- Class 1500
- Atex
- Antistatic device
- Fire safe design BS 6755-2
- 2 pieces type
- NACE MR01-75
- Roughness Ra 0.4 for the ball, Ra 1.6 for the ends

USE :

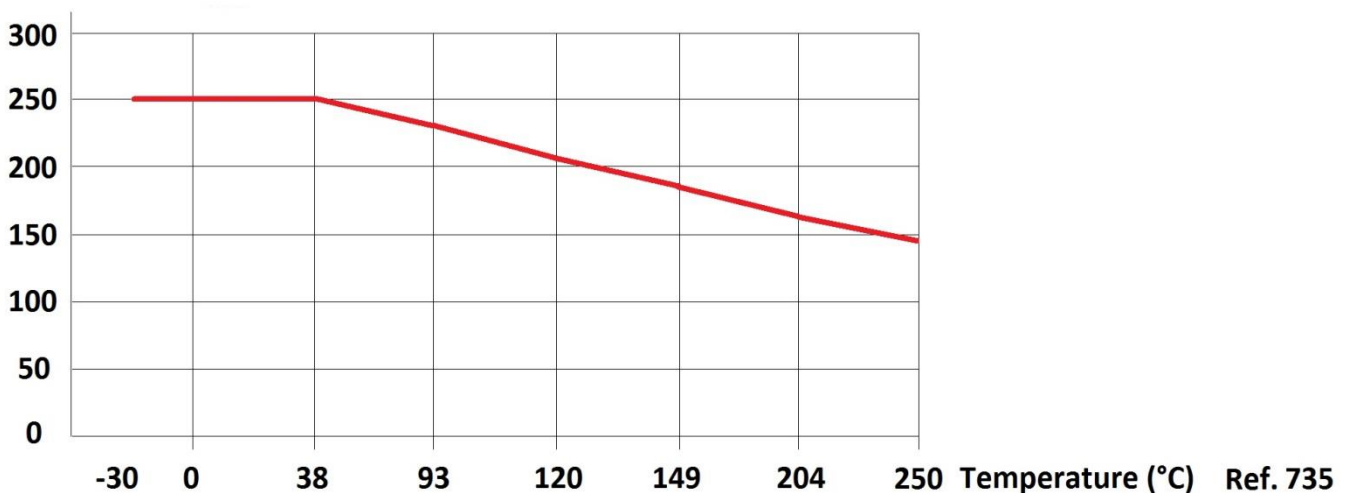
- Chemical and pharmaceutical industries, petrochemical industries, hydraulic installation, compressed air
- Do not use with water under 80°C and PEEK seat
- Min and max Temperature Ts :
 - - 30°C to + 80°C with DELRIN® seat
 - - 30°C to + 250°C with PEEK seat
- Max Pressure Ps : 248 bars
- Steam : 30 bars maximum only with PEEK seat

PRESSURE / TEMPERATURE RELATION WITH PEEK SEAT :

Pressure (Bar)	248	248	229	204	183	165	145
Temperature (°C)	-30	38	93	120	149	204	250

PRESSURE / TEMPERATURE GRAPH (STEAM EXCLUDED) WITH PEEK SEAT :

Pressure (Bar)



2 PIECES F316L FORGED BALL VALVE CLASS 1500

TORQUES VALUES (in Nm without safety coefficient) :

DN (mm)	8	10	15	20	25	32	40	50
NPS (")	1/4"	3/8"	1/2"	3/4"	1"	1"1/4"	1"1/2"	2"
Torque (Nm)	15	15	15	15	31	81	97	129

RANGE :



- Ball valve Class 1500 forged stainless steel body 316L and PEEK seat **Ref. 735** DN 1/4" to DN 2"
- Ball valve Class 1500 forged stainless steel body 316L and DELRIN® seat **Ref. 735D** DN 1/4" to DN 2"



- Stainless steel AISI 304 Handle with red cover

DN (mm)	8-10	15	20-25	32-40	50
NPS (")	1/4" - 3/8"	1/2"	3/4" - 1"	1"1/4 - 1"1/2"	2"
Ref.	9830320	9830316	9830317	9830318	9830321



- Locking device (with padlock)

DN (mm)	8-10	15	20-25	32-40	50
NPS (")	1/4" - 3/8"	1/2"	3/4" - 1"	1"1/4 - 1"1/2"	2"
Ref.	9830301	9830313	9830314	9830315	9830496



- Galvanized steel handwheel

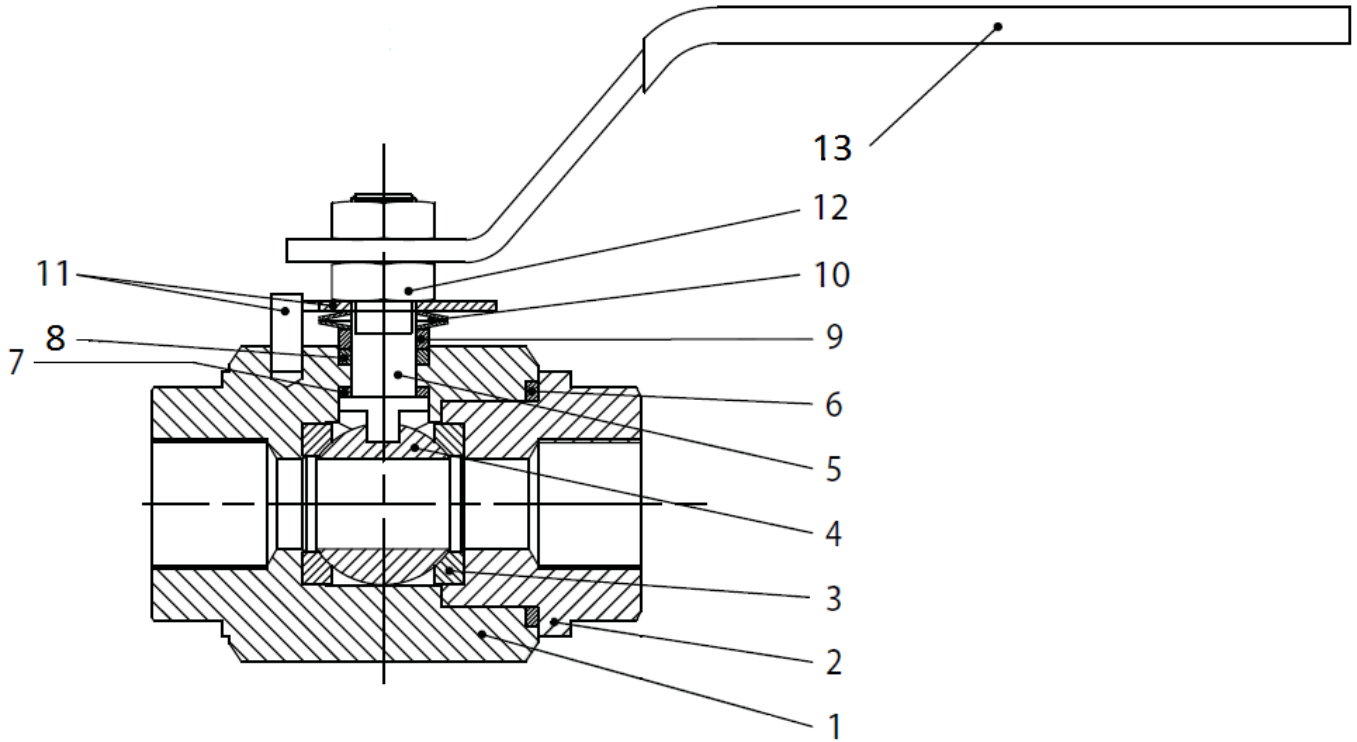
DN (mm)	8-10	15	20-25	32-40	50
NPS (")	1/4" - 3/8"	1/2"	3/4" - 1"	1"1/4 - 1"1/2"	2"
Ref.	9830571	9830572	9830573	9830574	

CONNECTION :

- Female / female threaded cylindrical BSP **Ref. 735 or 735D**
- Female / female threaded NPT **Ref. 7351**
- Socket Welding ends **On Request**

2 PIECES F316L FORGED BALL VALVE CLASS 1500

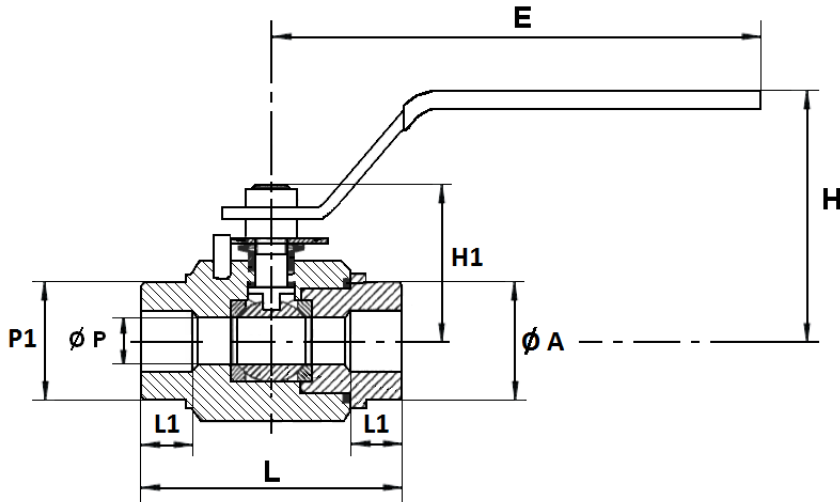
MATERIALS :



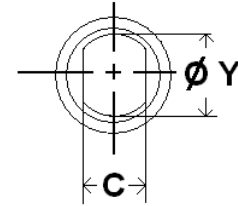
Item	Designation	Materials Ref.735	Materials Ref.735D
1	Body	ASTM A276 316L	
2	Ends		
3	Seat	PEEK	DELRIN® (POM)
4	Ball	ASTM A182 F316L	
5	Stem		
6	Body gasket	PTFE filled with 25% carbon	
7	Thrust washer		
8	Packing		
9	Packing gland	AISI 304	
10	Disc springs	Galvanized steel	
11	Stop		
12	Nut		
13	Handle		

2 PIECES F316L FORGED BALL VALVE CLASS 1500

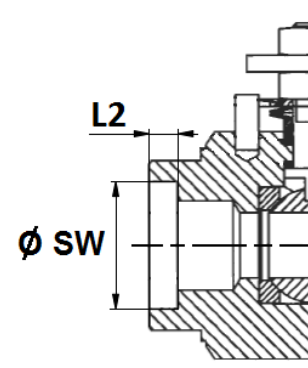
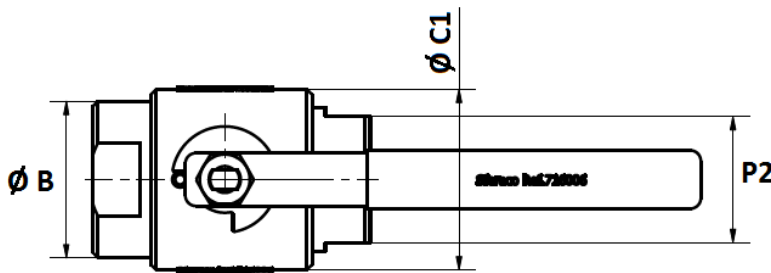
SIZE (in mm) :



Stem size :



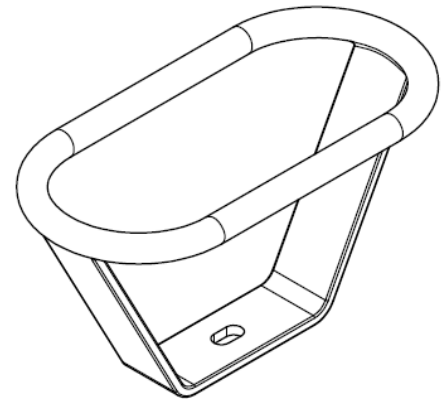
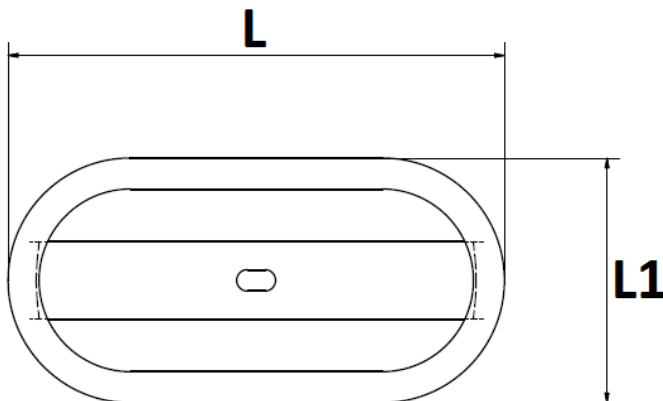
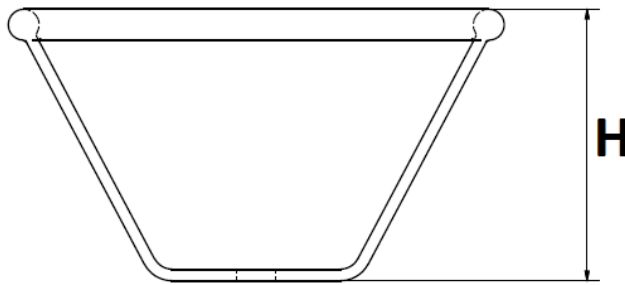
SW ends size (on request) :



DN (mm)	8	10	15	20	25	32	40	50
NPS (")	1/4"	3/8"	1/2"	3/4"	1"	1"1/4"	1"1/2"	2"
Ø P	10	10	15	20	25	30	38	48
L	67	67	75	90	105	120	135	155
L1	15	15	19	22	23	27	30	32
E	148	148	148	180	180	240	240	280
H	72	72	75	85	95	100	105	115
H1	41	41	45	57	61	74	80.5	91
P1 (on flat)	30	30	37.5	44.5	52	61.5	71.5	82
P2 (on flat)	29	29	36	45	47.5	57.5	71.5	81.5
Ø A	34.5	34.5	42	51	54.5	64.5	79.5	89.5
Ø B	34.5	34.5	42	51	59	70	80	90
Ø C1	42	42	50	60	68	80	93	104
C	5	5	5.5	7.5	7.5	9	9	9
Ø Y	8	8	10	12	12	14	14	14
Ø SW	14.3	17.8	21.8	27.3	34	42.6	48.7	61.3
L2	9.5	9.5	9.5	11.5	13	14	16	17
Weight (in Kg)	0.6	0.6	0.8	1.5	2	3.3	4.5	6

2 PIECES F316L FORGED BALL VALVE CLASS 1500

HANDWHEEL SIZE (in mm) :



DN (mm)	8	10	15	20	25	32	40	50
NPS (")	1/4"	3/8"	1/2"	3/4"	1"	1"1/4	1"1/2	2"
H	77	70	70	69	64	77	80	80
L	130	128	133	133	130	210	205	205
L1	68	63	68	77	82	87	105	105
Ref.	9830571	9830571	9830572	9830573	9830573	9830574	9830574	9830574
Weight (Kg)	0.300	0.300	0.380	0.420	0.420	0.460	0.460	0.460

2 PIECES F316L FORGED BALL VALVE CLASS 1500**STANDARDS :**

- Manufacturer certified ISO 9001 : 2015
- DIRECTIVE 2014/68/EU : CE N° 0948
Risk category III Module B+C2
- Certificate 3.1 on request
- Pressure tests according to API 598, table 6
- Designing according to ANSI B16.34
- Design fire safe according to BS 6755-2
- Threaded female BSP cylindrical ends according to ISO 228/1
- Threaded female NPT ends according to ANSI B1.20.1
- Materials according to NACE MR 01-75
- ATEX Group II Category 2 G/2D Zone 1 & 21 Zone 2 & 22 (optional marking)

ADVICE : Our opinion and our advice are not guaranteed and SFERACO shall not be liable for the consequences of damages.
The customer must check the right choice of the products with the real service conditions.