

SD6000



Compressed air meter

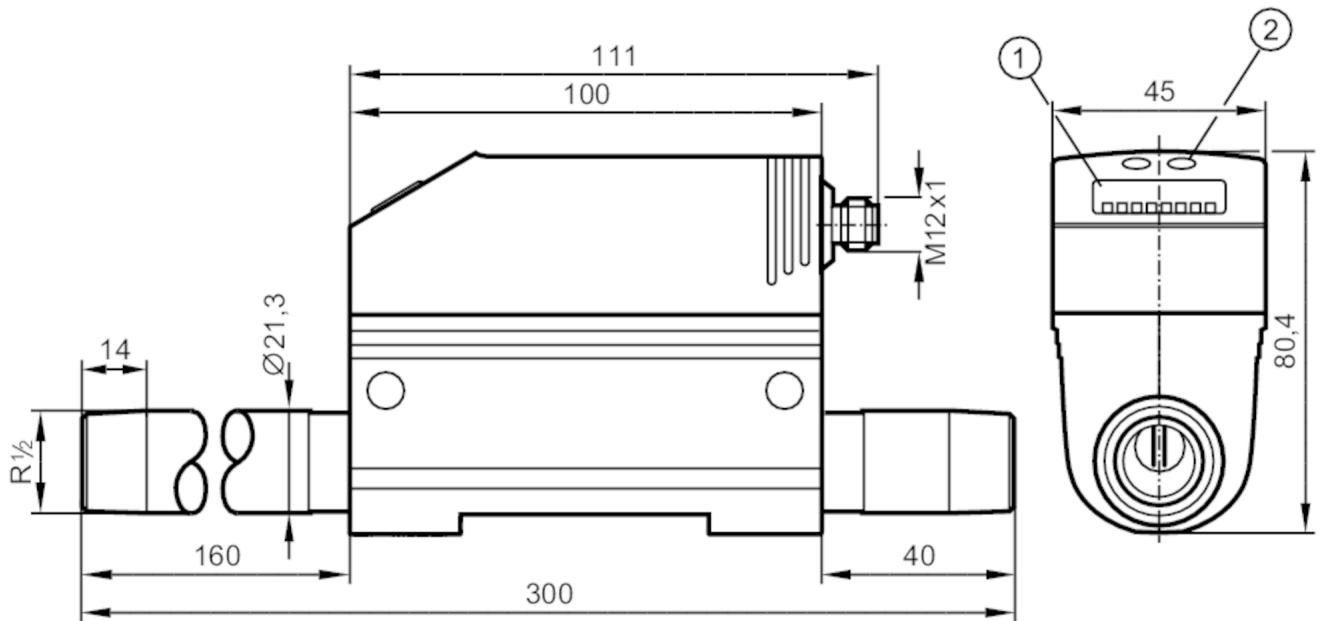
SDR12DGXFPKG/US-100

phase-out article

Discontinuation date: 12/31/2024

Alternative articles: SD6500

When selecting an alternative article and accessories please note that technical data may differ!



- 1 alphanumeric display 4-digit
- 2 programming buttons



Product characteristics

Number of inputs and outputs	Number of digital outputs: 2; Number of analogue outputs: 1		
Measuring range	10...1250 l/min	0.3...103.6 m/s	0.2...75 m³/h
Process connection	threaded connection R 1/2 external thread DN15		

Application

Application	for industrial applications		
Media	compressed air		
Note on media	air quality ISO 8573-1		
	class 141		
	class 344		
Medium temperature [°C]	0...60		
Pressure rating	16 bar	1.6 MPa	
MAWP for applications according to CRN [bar]	16		

Electrical data

Operating voltage [V]	18...30 DC; (to SELV/PELV)		
Current consumption [mA]	< 110		
Protection class	III		
Reverse polarity protection	yes		

SD6000



Compressed air meter

SDR12DGXFPKG/US-100

Power-on delay time	[s]	1		
Inputs / outputs				
Number of inputs and outputs		Number of digital outputs: 2; Number of analogue outputs: 1		
Outputs				
Total number of outputs		2		
Output signal		switching signal; analogue signal; pulse signal; IO-Link; (configurable)		
Electrical design		PNP		
Number of digital outputs		2		
Output function		normally open / normally closed; (parameterisable)		
Max. voltage drop switching output DC	[V]	2		
Permanent current rating of switching output DC	[mA]	250; (per output)		
Number of analogue outputs		1		
Analogue current output	[mA]	4...20; (scalable)		
Max. load	[Ω]	500		
Pulse output		consumed quantity meter		
Short-circuit protection		yes		
Type of short-circuit protection		pulsed		
Overload protection		yes		
Measuring/setting range				
Measuring range		10...1250 l/min	0.3...103.6 m/s	0.2...75 m³/h
Display range		0...1500 l/min	0...124.3 m/s	0...90 m³/h
Set point SP		10...1250 l/min	0.8...103.6 m/s	0.6...75 m³/h
Reset point rP		4...1244 l/min	0.3...103.1 m/s	0.2...74.6 m³/h
Analogue start point ASP		0...938 l/min	0...77.7 m/s	0...56.3 m³/h
Analogue end point AEP		312...1250 l/min	25.9...103.6 m/s	18.7...75 m³/h
In steps of		1 l/min	0.1 m/s	0.1 m³/h
Volumetric flow quantity monitoring				
Pulse value		0.001...1000000 m³		
In steps of		0.001 m³		
Pulse length	[s]	0,02...2		
Temperature monitoring				
Measuring range	[°C]	0...60		
Display range	[°C]	-12...72		
Accuracy / deviations				
Flow monitoring				
Repeatability	[% of the measured value]	± 1,5		
Accuracy (in the measuring range)		± (3 % MW + 0,3 % MEW) / ± (6 % MW + 0,6 % MEW); (class 141 l; class 344; conditions: installation to DIN ISO 2533; installation in pipes: DN15)		
Temperature monitoring				
Accuracy	[K]	± 2; (medium flow in the limit area of the flow measurement range)		

SD6000



Compressed air meter

SDR12DGXFPKG/US-100

Response times		
Flow monitoring		
Response time	[s]	0.1; (dAP = 0)
Damping process value dAP in steps	[s]	0 - 0,2 - 0,4 - 0,6 - 0,8 - 1
Software / programming		
Parameter setting options	Flow monitoring; quantity meter; Preset counter; Temperature monitoring; hysteresis / window; normally open / normally closed; current/pulse output; display can be rotated and switched off; Display unit; totaliser	
Interfaces		
Communication interface	IO-Link	
Transmission type	COM2 (38,4 kBaud)	
IO-Link revision	1.1	
SDCI standard	IEC 61131-9 CDV	
Profiles	no profile	
SIO mode	yes	
Required master port type	A	
Process data analogue	3	
Process data binary	2	
Min. process cycle time	[ms]	4.1
Supported DeviceIDs	Type of operation default	DeviceID 262
Operating conditions		
Ambient temperature	[°C]	0...60
Storage temperature	[°C]	-20...85
Max. relative air humidity	[%]	90
Protection	IP 65	
Tests / approvals		
EMC	DIN EN 61000-6-2	
	DIN EN 61000-6-3	
CPA approval	model number	002TG
	accuracy class	-
	maximum allowable error	± 4 % FS
	Q (min)	0,2 m³/h
	Q (t)	-
	Q (max)	75 m³/h
Vibration resistance	DIN EN 68000-2-6	5 g (55...2000 Hz)
MTTF	[years]	227
Pressure Equipment Directive	Sound engineering practice; can be used for group 2 fluids; group 1 fluids on request	
Mechanical data		
Weight	[g]	942.5
Dimensions	[mm]	300 x 45 x 80.4
Materials	PBT-GF20; NBR; PC; stainless steel (304/1.4301); PTFE; brass coated; FKM; aluminium powder-coated	
Materials (wetted parts)	stainless steel (304/1.4301); FKM; ceramics glass passivated; PEEK GF30; polyester; aluminium	

SD6000



Compressed air meter

SDR12DGXFPKG/US-100

Tightening torque [Nm]	50
Process connection	threaded connection R 1/2 external thread DN15

Displays / operating elements

Display	Display unit	5 x LED, green (NI/min, Nm ³ /h, Nm/s, Nm ³ , °C)
	function display	1 x LED, green
	switching status	2 x LED, yellow
	measured values	alphanumeric display, 4-digit
	programming	alphanumeric display, 4-digit

Remarks

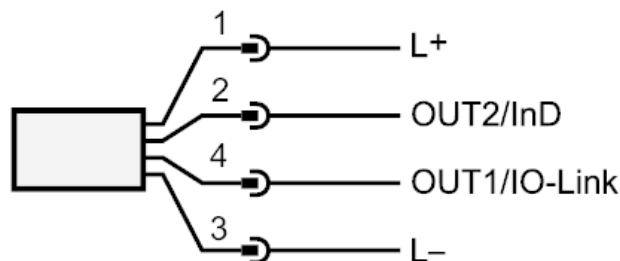
Remarks	MW = measured value MEW = Final value of the measuring range Measuring, display and setting ranges refer to the standard volume flow according to DIN ISO 2533. For information about installation and operation please see the operating instructions.
Pack quantity	1 pcs.

Electrical connection

Connector: 1 x M12; coding: A



Connection



- OUT1/IO-Link: switching output volumetric flow quantity monitoring
Pulse output quantity meter
signal output Preset counter
- OUT2/InD: switching output volumetric flow quantity monitoring / Temperature monitoring
analogue output volumetric flow quantity monitoring / Temperature monitoring
input counter reset