

Product data sheet

Specifications



regulated SMPS, single phase,
100..240 V input, 24 V output, 240
W

ABL1RPM24100

! Discontinued on: Dec 1, 2020

! Discontinued

Product availability: Non-Stock - Not normally stocked in distribution facility

Main

Range Of Product	Phaseo Dedicated
Product Or Component Type	Power supply
Power Supply Type	Regulated switch mode
Kw Rating	240 W
Main Input Voltage	180...370 V DC 100...240 V AC single phase
Output Voltage	24 V DC
Power Supply Output Current	10 A
Operating Position	Any position
Vibration Resistance	2 gn 9...150 Hz)EN/IEC 61131-2 3.5 mm 5...9 Hz)EN/IEC 61131-2
Name Of Test	Conducted interference EN 61000-4-8 level 4 Electrostatic discharges EN/IEC 61000-4-2 level 3 Induced electromagnetic field EN/IEC 61000-4-6 level 3 Radiated electromagnetic field EN/IEC 61000-4-3 level 3 Rapid transient IEC 61000-4-4 level 3 Conducted/radiated emissions EN 55022 Class B Conducted/radiated emissions EN/IEC 55011 Emission EN/IEC 61000-6-3 Primary outage IEC 61000-4-11 Surge EN/IEC 61000-4-5

Complementary

Input Voltage Limits	85...132 V 170...264 V
Network Frequency	47...63 Hz
Inrush Current	50 A 115 V AC 100 A 230 V AC
Cos Phi	0.7...0.95
Efficiency	80 %
Power Dissipation In W	60 W
Current Consumption	3 A 240 V 6 A 100 V
Input Protection Type	Integrated fuse (not interchangeable)
Output Voltage Limits	21.6...26.4 V
Line And Load Regulation	+/- 3 %

Price is "List Price" and may be subject to a trade discount – check with your local distributor or retailer for actual price.

Holding Time	>= 10 ms 100 V >= 40 ms 240 V
Output Protection Type	Against overload 1.1...1.5 x In Against overvoltage tripping if U > 1.25 x Un Against short-circuits automatic reset Thermal
Connections - Terminals	Ground connection screw type terminals 1 x 4 mm ² AWG 12 Input connection screw type terminals 2 x 4 mm ² AWG 12 Output connection screw type terminals 4 x 4 mm ² AWG 12
Marking	CE
Mounting Support	Reversible mounting bracket Panel
Operating Altitude	6561.68 ft (2000 m)
Output Coupling	Parallel Series
Overvoltage Category	II
Meantime Between Failure [Mtbf]	100000 h 104 °F (40 °C)
Status Led	1 LED (Green) output voltage
Net Weight	2.71 lb(US) (1.23 kg)

Environment

Product Certifications	EAC CSA 22-2 No 60950-1 TUV 60950-1 cCSAus KC UL 508 RCM
Environmental Characteristic	EMC EN 50081-1 EMC EN 50082-2 EMC EN 61000-6-3 EMC EN/IEC 61000-6-2 Safety EN/IEC 60950-1 Safety SELV Low frequency harmonic currents EN/IEC 61000-3-2
Ip Degree Of Protection	IP20 conforming to EN/IEC 60950
Ambient Air Temperature For Operation	32...113 °F (0...45 °C) without derating) 113...140 °F (45...60 °C) with derating factor)
Ambient Air Temperature For Storage	-13...185 °F (-25...85 °C)
Relative Humidity	20...90 %
Overvoltage Category	Class I VDE 0106-1
Pollution Degree	2
Dielectric Strength	1500 V between input and ground 3000 V between input and output 500 V between output and ground

Ordering and shipping details

Category	US1CP1222524
Discount Schedule	CP12
Gtin	3389110638387
Returnability	No
Country Of Origin	US

Packing Units

Unit Type Of Package 1	PCE
------------------------	-----

Number Of Units In Package 1	1
------------------------------	---

Contractual warranty

Warranty	18 months
----------	-----------

Sustainability

Green Premium™ label is Schneider Electric's commitment to delivering products with best-in-class environmental performance. Green Premium promises compliance with the latest regulations, transparency on environmental impacts, as well as circular and low-CO₂ products.

Guide to assessing product sustainability is a white paper that clarifies global eco-label standards and how to interpret environmental declarations.

[Learn more about Green Premium >](#)

[Guide to assess a product's sustainability >](#)



Transparency RoHS/REACH

Well-being performance

Mercury Free

Rohs Exemption Information Yes

Pvc Free

Certifications & Standards

Reach Regulation

[REACH Declaration](#)

Eu Rohs Directive

Pro-active compliance (Product out of EU RoHS legal scope)

China Rohs Regulation

[China RoHS declaration](#)

Environmental Disclosure

[Product Environmental Profile](#)

Circularity Profile

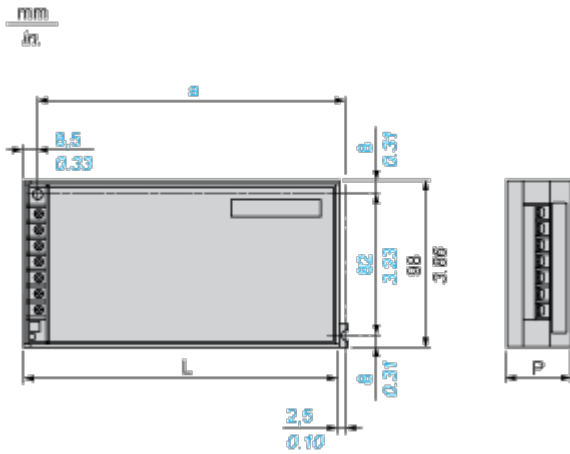
[End of Life Information](#)

California Proposition 65

WARNING: This product can expose you to chemicals including: Lead and lead compounds, which is known to the State of California to cause cancer and birth defects or other reproductive harm. For more information go to www.P65Warnings.ca.gov

Dimensions Drawings

Dimensions



Dimensions in mm

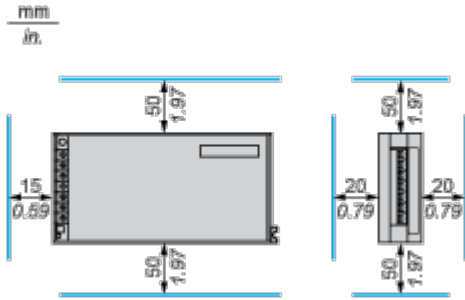
a	L	P
194	200	65

Dimensions in in.

a	L	P
7.64	7.87	2.56

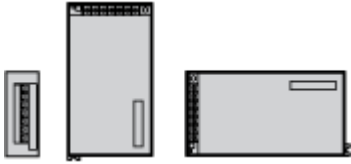
Mounting and Clearance

Clearance



Mounting Way

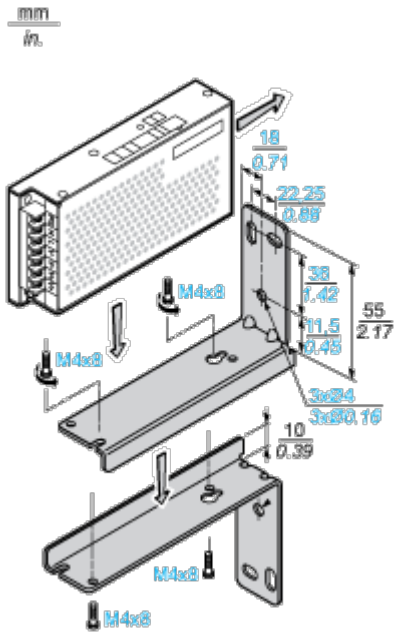
Mounting on Vertical Plane



Mounting on Horizontal Plane

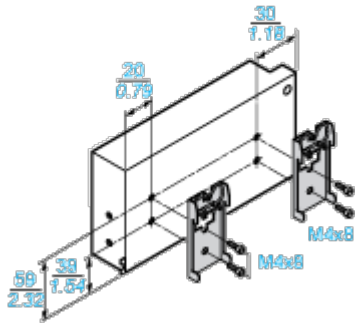


Mounting on the Back on ABL 1A01 Reversible Bracket by Three 4 mm Diameter Screws

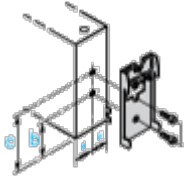


Mounting on ABL 1A02 Clip-on Mounting on 35 mm Rail

mm
in.



Mounting by the Back



Dimensions in mm

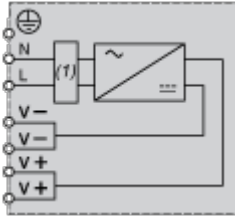
b	c
28	48

Dimensions in in.

b	c
1.10	1.89

Connections and Schema

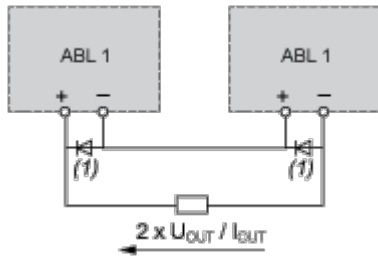
Internal Wiring Diagram



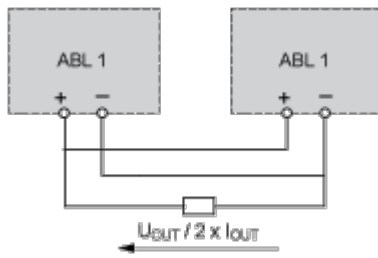
(1) Filter

Series or Parallel Connection

Series Connection



Parallel Connection

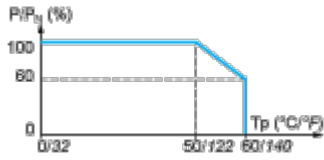


(1) 15 A/100 V Shottky diode

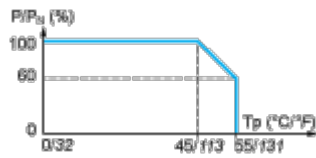
Performance Curves

Derating Curves

Mounting on Vertical Plane



Mounting on Horizontal Plane



Load Limits Curve

