

Product datasheet

Specifications



Relay discrete output module, Modicon TSX Micro, 8 outputs, 3.5W, overvoltage protection by zener diode, CONN

TSXDSZ08T2K

⚠ Discontinued - Service only

⚠ Discontinued on: 31 Dec 2019

⚠ To be end-of-service on: 31 Dec 2027

Main

Range Of Product	Modicon TSX Micro automation platform
Product Or Component Type	Discrete output module
Discrete Output Number	8 1 HE-10 connector
Discrete Output Voltage	24 V DC
Discrete Output Current	0.5 mA
Discrete Output Logic	Positive

Complementary

Output Voltage Limits	19...30 V
Output Current Limits	0.625 A
Maximum Leakage Current	0.5 mA at state 0
[Ures] Residual Voltage	0.3 V
Load Impedance Ohmic	48 Ohm
Response Time	< 0.5 ms at state 1 < 0.5 ms at state 0
Switching Frequency	< 0.6/LI ² Hz
Output Overvoltage Protection	By zener diode
Output Short-Circuit Protection	Thermal circuit breaker Current limiter
Reverse Polarity Protection	Reverse diode on power supply
Paralleling Of Outputs	Yes : 2 maximum
Current Consumption	38 mA
Power Dissipation In W	3.5 W by module 0.15 W by channel
Isolation Voltage	1500 V for 1 s
Net Weight	0.18 kg

Packing Units

Unit Type Of Package 1	PCE
Number Of Units In Package 1	1

Package 1 Height	5.5 cm
Package 1 Width	18.0 cm
Package 1 Length	26.0 cm
Package 1 Weight	261.0 g
Unit Type Of Package 2	S03
Number Of Units In Package 2	8
Package 2 Height	30.0 cm
Package 2 Width	30.0 cm
Package 2 Length	40.0 cm
Package 2 Weight	2.5 kg

Contractual warranty

Warranty	18 months
----------	-----------

Sustainability

Green Premium™ label is Schneider Electric's commitment to delivering products with best-in-class environmental performance. Green Premium promises compliance with the latest regulations, transparency on environmental impacts, as well as circular and low-CO₂ products.

Guide to assessing product sustainability is a white paper that clarifies global eco-label standards and how to interpret environmental declarations.

[Learn more about Green Premium >](#)

[Guide to assess a product's sustainability >](#)

Eu Rohs Directive

Not applicable, out of EU RoHS legal scope

China Rohs Regulation

[China RoHS declaration](#)

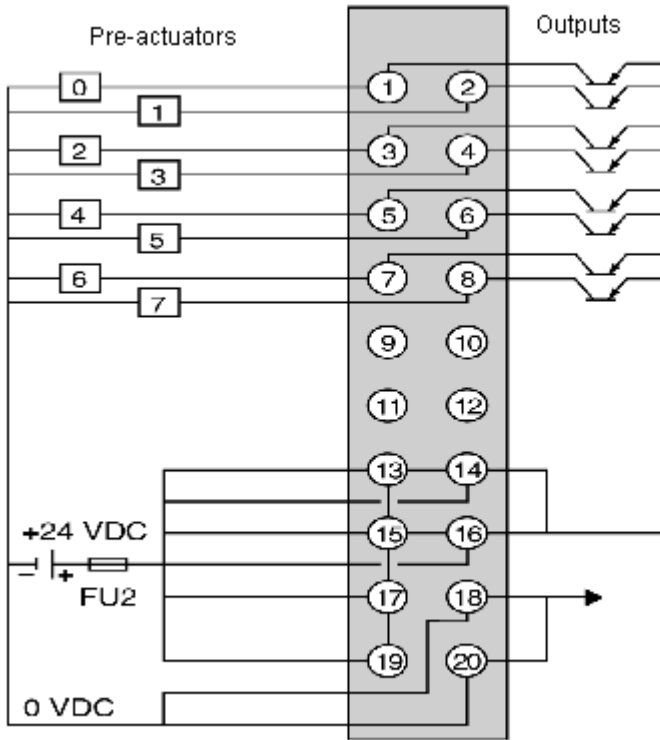
Weee

The product must be disposed on European Union markets following specific waste collection and never end up in rubbish bins

Connections and Schema

Pre-Actuators/Outputs Connections

Wiring Diagram



FU2 = 6.3A fuse with rapid fusion.