

# Product data sheet

Specifications



## basic digital output module STB - 24 V DC - 16 O

STBDDO3705

**Product availability: Non-Stock - Not normally stocked in distribution facility**

### Main

Range Of Product	Modicon STB distributed I/O solution
Product Or Component Type	Basic digital output module
Discrete Output Number	16
Discrete Output Type	Solid state
Discrete Output Voltage	24 V
Discrete Output Voltage Type	DC

### Complementary

Discrete Output Current	500 mA
Discrete Output Logic	Positive
Output Voltage	19.2...30 V DC
Absolute Maximum Voltage	35 V 1.3 ms
Response Time	2 ms off-to-on 2 ms on-to-off
Cold Swapping	Yes
Hot Swapping	No for basic NIMs
Protection Type	Power protection integrated fuse on PDM time lag 5 A Reverse polarity protection Short-circuit protection Thermal overload protection
Insulation Between Channels And Logic Bus	1500 V for 1 minute
Maximum Leakage Current	0.4 mA at state 0 30 V
Maximum Load Capacitance	10 µF
Maximum Load Inductance	1000 mH 4 Hz
Reset	Manual reset COM fault
Product Compatibility	Power distribution module STBPDT3100/3105 I/O base STBXBA3000
[Us] Rated Supply Voltage	24 V DC
Supply	Power distribution module
Current Consumption	135 mA 5 V DC logic bus
Marking	CE
Overvoltage Category	II
Status Led	1 LED (Green) module status (RDY) 1 LED per channel (Green) channel status (OUT1 to OUT16)

Price is "List Price" and may be subject to a trade discount – check with your local distributor or retailer for actual price.

Height	0.55 in (13.9 mm)
Depth	2.76 in (70 mm)
Width	5.05 in (128.3 mm)
Net Weight	0.19 lb(US) (0.086 kg)

## Environment

Standards	IEC 61131-2
Product Certifications	UL CSA FM Class 1 Division 2
Pollution Degree	2 IEC 60664-1
Operating Altitude	<= 6561.68 ft (2000 m)
Ip Degree Of Protection	IP20 conforming to IEC 61131-2 class 1
Ambient Air Temperature For Operation	32...140 °F (0...60 °C) without derating
Ambient Air Temperature For Operation	32...140 °F without derating
Ambient Air Temperature For Storage	-40...185 °F (-40...85 °C) without derating
Ambient Air Temperature For Storage	-40...185 °F without derating
Relative Humidity	95 % 140 °F (60 °C) without condensation
Vibration Resistance	3 gn 58...150 Hz 35 x 7.5 mm symmetrical DIN rail 5 gn 58...150 Hz 35 x 15 mm symmetrical DIN rail +/-0.35 mm 10...58 Hz
Shock Resistance	30 gn 11 ms IEC 88 reference 2-27

## Ordering and shipping details

Category	US1PC3218215
Discount Schedule	PC32
Gtin	3595863843460
Returnability	Yes
Country Of Origin	US

## Packing Units

Unit Type Of Package 1	PCE
Number Of Units In Package 1	1
Package 1 Height	1.20 in (3.05 cm)
Package 1 Width	2.60 in (6.6 cm)
Package 1 Length	5.10 in (12.95 cm)
Package 1 Weight	3.53 oz (100 g)
Unit Type Of Package 2	S02
Number Of Units In Package 2	48
Package 2 Height	5.91 in (15 cm)
Package 2 Width	11.81 in (30 cm)
Package 2 Length	15.75 in (40 cm)
Package 2 Weight	11.73 lb(US) (5.322 kg)

---

<b>Unit Type Of Package 3</b>	P06
<b>Number Of Units In Package 3</b>	768
<b>Package 3 Height</b>	29.53 in (75.0 cm)
<b>Package 3 Width</b>	23.62 in (60.0 cm)
<b>Package 3 Length</b>	31.50 in (80.0 cm)
<b>Package 3 Weight</b>	209.66 lb(US) (95.1 kg)

---

## **Contractual warranty**

---

**Warranty** 18 months

## Sustainability


**Green Premium™ label** is Schneider Electric's commitment to delivering products with best-in-class environmental performance. Green Premium promises compliance with the latest regulations, transparency on environmental impacts, as well as circular and low-CO<sub>2</sub> products.


**Guide to assessing product sustainability** is a white paper that clarifies global eco-label standards and how to interpret environmental declarations.

[Learn more about Green Premium >](#)

[Guide to assess a product's sustainability >](#)

## Well-being performance

 Mercury Free

 Rohs Exemption Information [Yes](#)

**Reach Regulation** [REACH Declaration](#)

**Eu Rohs Directive** Pro-active compliance (Product out of EU RoHS legal scope)

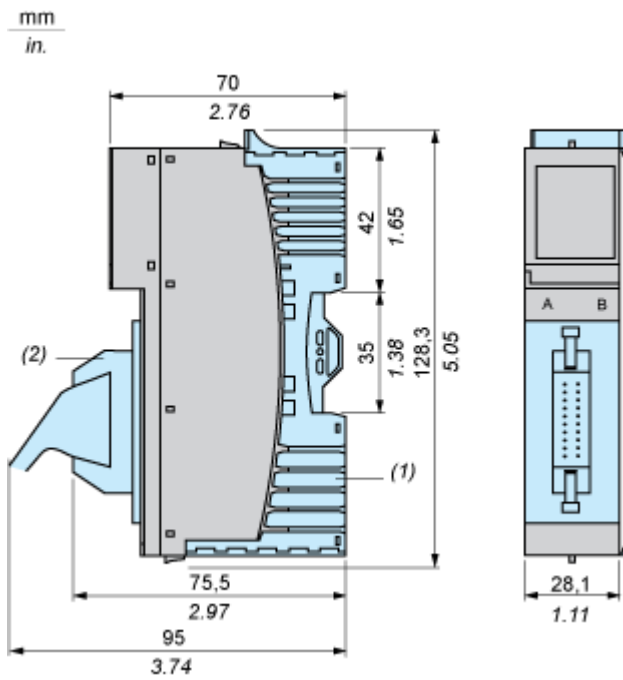
**China Rohs Regulation** [China RoHS declaration](#)

**Weee** The product must be disposed on European Union markets following specific waste collection and never end up in rubbish bins.

**California Proposition 65** WARNING: This product can expose you to chemicals including: Lead and lead compounds, which is known to the State of California to cause cancer and birth defects or other reproductive harm. For more information go to [www.P65Warnings.ca.gov](http://www.P65Warnings.ca.gov)

Dimensions Drawings

Dimensions



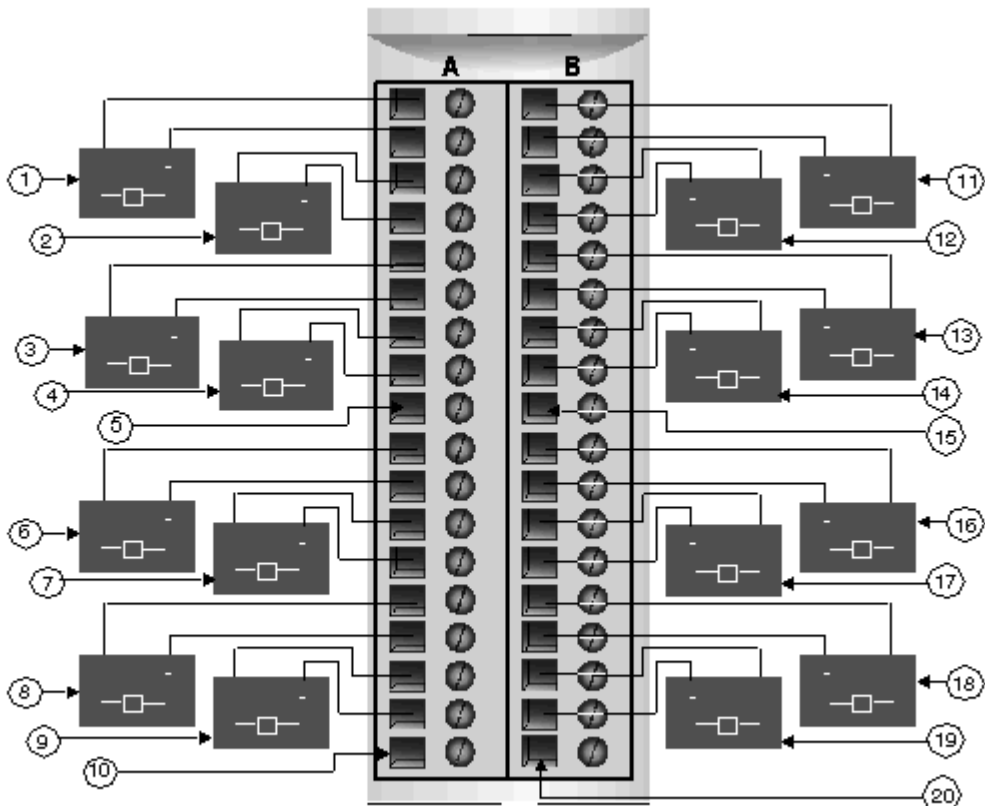
- (1) STBXBA3000 base (to be ordered separately)
- (2) STBXTS5510/5610/6510/6610 connector (to be ordered separately)

Connections and Schema

Wiring Diagram

Example

16 two-wire actuators



#	Group 1	#	Group 2
1	Channel 1, Connector A, Actuator	11	Channel 1, Connector B, Actuator
2	Channel 2, Connector A, Actuator	12	Channel 2, Connector B, Actuator
3	Channel 3, Connector A, Actuator	13	Channel 3, Connector B, Actuator
4	Channel 4, Connector A, Actuator	14	Channel 4, Connector B, Actuator
5	Pin 9, Connector A (not used)	15	Pin 9, Connector B (not used)
6	Channel 5, Connector A, Actuator	16	Channel 5, Connector B, Actuator
7	Channel 6, Connector A, Actuator	17	Channel 6, Connector B, Actuator
8	Channel 7, Connector A, Actuator	18	Channel 7, Connector B, Actuator
9	Channel 8, Connector A, Actuator	19	Channel 8, Connector B, Actuator
10	Pin 18, Connector A (not used)	20	Pin 18, Connector B (not used)

