

Product data sheet

Specifications



Small panel with keypad, with matrix screen, G O R, 122 x 32 pixels, 24V

XBTN401

⚠ Discontinued on: Feb 17, 2021

⚠ End-of-service on: Dec 23, 2022

⚠ Discontinued

Product availability: Non-Stock - Not normally stocked in distribution facility

Main

Range Of Product	Magelis XBTN
Product Or Component Type	Small panel with keypad
Display Resolution	122 x 32 pixels
Software Type	Configuration software
Software Designation	Vijeo Designer Lite
Operating System	Magelis

Complementary

Display Type	Extra-bright matrix backlit LCD
Display Colour	Red Green Orange
Character Font	ASCII Katakana Chinese (simplified Chinese) Greek Cyrillic
[Us] Rated Supply Voltage	24 V DC
Supply	External source
Supply Voltage Limits	18...30 V
Residual Ripple	1200 mV
Power Consumption In W	5 W
Number Of Key	8
Number Of Fixed Keys	4
Number Of Customisable Keys	4
Local Signalling	6 LEDs
Number Of Pages	256 alarm pages 200 application pages
Memory Type	Flash
Memory Capacity	512 KB
Integrated Connection Type	Power supply removable screw terminal block Printer port female mini DIN Serial link female SUB-D 25, asynchronous RS232C/RS485)multidrop
Realtime Clock	Access to the PLC real-time clock

Price is "List Price" and may be subject to a trade discount – check with your local distributor or retailer for actual price.

Product Mounting	Flush mounting
Fixing Mode	By 2 spring clips
Display Material	Polyester
Front Material	PPT
Keypad Material	Polyester
Marking	CE
Width	5.20 in (132 mm)
Height	2.91 in (74 mm)
Depth	1.69 in (43 mm)
Cut-Out Dimensions	119.4 (+/- 0.5) x 63 (+/- 0.4) mm
Net Weight	0.84 lb(US) (0.38 kg)

Environment

Messages Display Capacity	4 lines of 20 characters maximum 1 line of 5 characters minimum
Downloadable Protocols	Uni-TE Modbus Third party protocols
Standards	IEC 60068-2-6 IEC 61131-2 CSA C22.2 No 14 IEC 60068-2-27 UL 508
Product Certifications	UL 1604 ATEX zone 2/22 CSA Class 1 Division 2 UL Class 1 Division 2
Ambient Air Temperature For Operation	32...131 °F (0...55 °C)
Ambient Air Temperature For Storage	-4...140 °F (-20...60 °C)
Relative Humidity	0...85 % without condensation
Ip Degree Of Protection	IP20 IEC 60529 rear panel) IP65 IEC 60529 front panel)
Nema Degree Of Protection	NEMA 4X front panel outdoor use)
Shock Resistance	15 gn 11 ms
Vibration Resistance	+/- 3.5 mm 2...8.45 Hz) 1 gn 8.45...150 Hz)

Ordering and shipping details

Category	US10MC222570
Discount Schedule	0MC2
Gtin	3389110379969
Returnability	No
Country Of Origin	FR

Packing Units

Unit Type Of Package 1	PCE
Number Of Units In Package 1	1

Package 1 Height	1.77 in (4.5 cm)
Package 1 Width	6.38 in (16.2 cm)
Package 1 Length	9.25 in (23.5 cm)
Package 1 Weight	15.52 oz (440.0 g)
Unit Type Of Package 2	S03
Number Of Units In Package 2	11
Package 2 Height	11.81 in (30.0 cm)
Package 2 Width	11.81 in (30.0 cm)
Package 2 Length	15.75 in (40.0 cm)
Package 2 Weight	12.11 lb(US) (5.495 kg)

Contractual warranty

Warranty	18 months
-----------------	-----------

Sustainability

Green Premium™ label is Schneider Electric's commitment to delivering products with best-in-class environmental performance. Green Premium promises compliance with the latest regulations, transparency on environmental impacts, as well as circular and low-CO₂ products.

Guide to assessing product sustainability is a white paper that clarifies global eco-label standards and how to interpret environmental declarations.

[Learn more about Green Premium >](#)

[Guide to assess a product's sustainability >](#)

Well-being performance

✓ Reach Free Of Svhc

✓ Mercury Free

✓ Rohs Exemption Information [Yes](#)

Reach Regulation [REACH Declaration](#)

Eu Rohs Directive Pro-active compliance (Product out of EU RoHS legal scope)

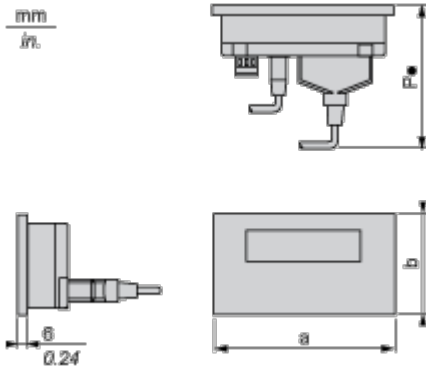
China Rohs Regulation [China RoHS declaration](#)

Weee The product must be disposed on European Union markets following specific waste collection and never end up in rubbish bins.

California Proposition 65 WARNING: This product can expose you to chemicals including: Lead and lead compounds, which is known to the State of California to cause cancer and birth defects or other reproductive harm. For more information go to www.P65Warnings.ca.gov

Dimensions Drawings

Dimensions

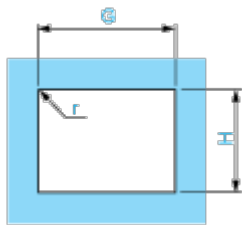


a		b		b1 (1)		P3 (2)		P4 (3)	
mm	in.	mm	in.	mm	in.	mm	in.	mm	in.
132	5.19	74	3	104	4.09	58	2.28	104	4.09

- (1) With fixing clips (included with product)
- (2) P3: depth with 25-way SUB-D angled cable XBTZ9680 (for Twido, TSX Micro and Premium) or XBTZ998 (for Modicon STB)
- (3) P4: depth with 25-way SUB-D cable XBTZ68/Z9681(for Twido, TSX Micro and Premium)

Mounting and Clearance

Cut-out for Flush Mounting



Panel thickness = 1.5...6 mm / 0.05...0.23 in.

H		G		r max.	
±0.4 mm	±0.02 in.	±0.5 mm	±0.02 in.	mm	in.
63	2.48	119.4	5	1.5	0.05