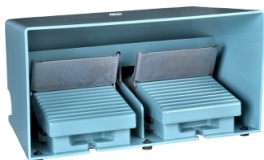


Product datasheet

Specifications



double foot switch - IP66 - with cover - metallic - blue - 2 NC + 2 NO

Local distributor code:

409017762

XPEM5100D

EAN Code: 3389110092837

Main

Range Of Product	Harmony XPE
Product Or Component Type	Foot switch
Material	Metal
Foot Switch Type	Double foot switch
Device Short Name	XPEM
Provided Equipment	Cover
Trigger Mechanism	With trigger mechanism
Contact Operation	1 step
Contacts Type And Composition	2 x (1 NC + 1 NO)
Colour	Blue

Complementary

Positive Opening	With conforming to IEC 60947-5-1 appendix K
Connections - Terminals	Screw clamp terminal, $\leq 1 \times 2.5 \text{ mm}^2$ with or without cable end Screw clamp terminal, $\leq 2 \times 1.5 \text{ mm}^2$ with or without cable end
Cable Entry	2 entries tapped for Pg 16 cable gland
Mechanical Durability	15000000 cycles
[Ie] Rated Operational Current	3 A, 240 V, AC-15, A300 0.27 A, 250 V, DC-13, Q300 conforming to IEC 60947-5-1 appendix A
[Ui] Rated Insulation Voltage	500 V (pollution degree 3) conforming to IEC 60947-1 500 V (pollution degree 3) conforming to NF C 20-040 group C 500 V (pollution degree 3) conforming to VDE 0110 group C 300 V conforming to UL 508 300 V conforming to CSA C22.2 No 14
[Uimp] Rated Impulse Withstand Voltage	6 kV conforming to IEC 60947-1
Maximum Resistance Across Terminals	25 MOhm conforming to IEC 60255-7 category 3 25 MOhm conforming to NF C 93-050 method A
Short-Circuit Protection	10 A cartridge fuse type gG conforming to IEC 60947-5-1 10 A cartridge fuse type gG conforming to VDE 0660-200
Rated Operational Power In W	10 W DC-13, operating rate $<60 \text{ cyc/mn}$, 5000000 cycles, 24 V, load factor: 0.5 conforming to IEC 60947-5-1 appendix C 4 W DC-13, operating rate $<60 \text{ cyc/mn}$, 5000000 cycles, 120 V, load factor: 0.5 conforming to IEC 60947-5-1 appendix C 7 W DC-13, operating rate $<60 \text{ cyc/mn}$, 5000000 cycles, 48 V, load factor: 0.5 conforming to IEC 60947-5-1 appendix C
Physical Characteristics	(21-22)NC B (13-14)NO

Net Weight	6.07 kg
------------	---------

Environment

Standards	NF E 09-031
-----------	-------------

Product Certifications	FIMKO CSA
------------------------	--------------

Protective Treatment	TC
----------------------	----

Ambient Air Temperature For Operation	-25...70 °C
---------------------------------------	-------------

Ambient Air Temperature For Storage	-40...70 °C
-------------------------------------	-------------

Vibration Resistance	15 gn (f= 10...500 Hz) conforming to IEC 60068-2-6
----------------------	----------------------------------------------------

Shock Resistance	150 gn conforming to NF E 09-031 20 gn conforming to IEC 60068-2-27
------------------	------------------------------------------------------------------------

Overvoltage Category	Class I conforming to IEC 61140 Class I conforming to NF C 20-030
----------------------	----------------------------------------------------------------------

Ip Degree Of Protection	IP66 conforming to IEC 60529 IP669 conforming to IEC 60529
-------------------------	---------------------------------------------------------------

Packing Units

Unit Type Of Package 1	PCE
------------------------	-----

Number Of Units In Package 1	1
------------------------------	---

Package 1 Height	18.600 cm
------------------	-----------

Package 1 Width	20.400 cm
-----------------	-----------

Package 1 Length	46.200 cm
------------------	-----------

Package 1 Weight	7.440 kg
------------------	----------

Unit Type Of Package 2	P06
------------------------	-----

Number Of Units In Package 2	4
------------------------------	---

Package 2 Height	77.000 cm
------------------	-----------

Package 2 Width	80.000 cm
-----------------	-----------

Package 2 Length	60.000 cm
------------------	-----------

Package 2 Weight	43.532 kg
------------------	-----------

Contractual warranty

Warranty	18 months
----------	-----------

Sustainability

Green Premium™ label is Schneider Electric's commitment to delivering products with best-in-class environmental performance. Green Premium promises compliance with the latest regulations, transparency on environmental impacts, as well as circular and low-CO₂ products.

Guide to assessing product sustainability is a white paper that clarifies global eco-label standards and how to interpret environmental declarations.

[Learn more about Green Premium >](#)

[Guide to assess a product's sustainability >](#)

Well-being performance

✓ Reach Free Of Svhc

✓ Toxic Heavy Metal Free

✓ Mercury Free

✓ Rohs Exemption Information [Yes](#)

Reach Regulation [REACH Declaration](#)

Eu Rohs Directive Pro-active compliance (Product out of EU RoHS legal scope)
[EU RoHS Declaration](#)

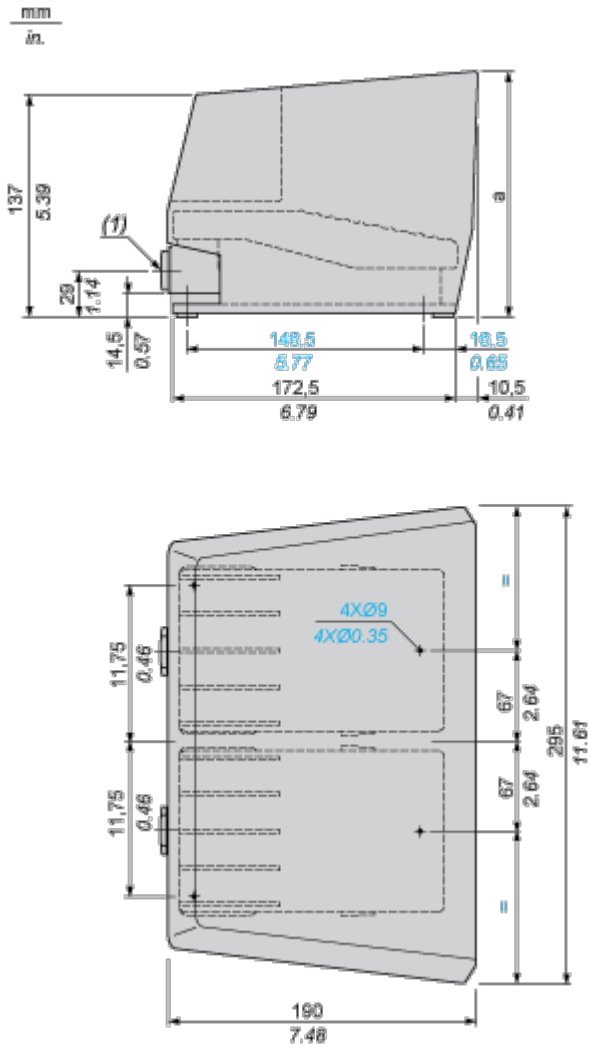
China Rohs Regulation [China RoHS declaration](#)

Weee The product must be disposed on European Union markets following specific waste collection and never end up in rubbish bins

Dimensions Drawings

Double Pedal Metal Foot Switch with Protective Cover

Dimensions



(1) 2 tapped entries for n° 16 (Pg 16) cable gland. For ISO M20, use adaptor DE9RA620.

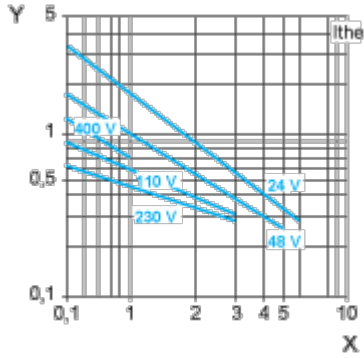
Performance Curves

Electrical Durability of Contacts

AC-15 Utilization Category

Operating rate: 3600 operating cycles/hour. Load factor: 0.5.

Inductive circuit:



X Current in A

Y Millions of operating cycles

DC-13 Utilization Category

Refer to the product characteristic "Operational power in W".