

# Product data sheet

Specifications



## connection sub-base ABE7 - for distribution of 4 thermocouples

ABE7CPA412

**Product availability: Stock - Normally stocked in distribution facility**

## Main

Range Of Product	Modicon ABE7
Product Or Component Type	Connection sub-base for analogue channels
Number Of Channels	4
Connections - Terminals	Screw type terminals, 1 x 0.09...1 x 1.5 mm <sup>2</sup> AWG 28...AWG 16) flexible with cable end Screw type terminals, 1 x 0.14...1 x 2.5 mm <sup>2</sup> AWG 26...AWG 12) solid Screw type terminals, 1 x 0.14...1 x 2.5 mm <sup>2</sup> AWG 26...AWG 14) flexible without cable end Screw type terminals, 2 x 0.09...2 x 0.75 mm <sup>2</sup> AWG 28...AWG 20) flexible with cable end Screw type terminals, 2 x 0.2...2 x 2.5 mm <sup>2</sup> AWG 24...AWG 14) solid

## Complementary

Function Of Module	Distribution of 4 thermocouples Modicon M340
Product Compatibility	Modicon M340 BMXART0414 Modicon M340 BMXART0814
Connection To Plc	SUB-D 25
Fixing Mode	By clips (35 mm symmetrical DIN rail) By screws (solid plate with fixing kit)
[U <sub>i</sub> ] Rated Insulation Voltage	2000 V terminals/mounting rails
Installation Category	II IEC 60664-1
Tightening Torque	5.31 lbf.in (0.6 N.m) flat Ø 3.5 mm
Net Weight	0.40 lb(US) (0.18 kg)

## Environment

Product Certifications	GL CSA UL DNV
Ip Degree Of Protection	IP20 conforming to IEC 60529
Resistance To Incandescent Wire	1382 °F (750 °C) 30 s IEC 60695-2-11
Shock Resistance	15 gn 11 ms IEC 60068-2-27
Vibration Resistance	2 gn 10...150 Hz)IEC 60068-2-6
Resistance To Electrostatic Discharge	4 kV contact) level 3 IEC 61000-4-2 8 kV air) level 3 IEC 61000-4-2
Resistance To Radiated Fields	9.14 V/m (10 V/m) 26000000...1000000000 Hz)IEC 61000-4-3 level 3
Resistance To Fast Transients	2 kV level 3 IEC 61000-4-4
Ambient Air Temperature For Operation	32...140 °F (0...60 °C) IEC 61131-2

Price is "List Price" and may be subject to a trade discount – check with your local distributor or retailer for actual price.

Ambient Air Temperature For Storage	-40...176 °F (-40...80 °C) IEC 61131-2
Pollution Degree	2 IEC 60664-1

## Ordering and shipping details

Category	US10CP222375
Discount Schedule	0CP2
Gtin	3595863914696
Returnability	Yes
Country Of Origin	FR

## Packing Units

Unit Type Of Package 1	PCE
Number Of Units In Package 1	1
Package 1 Height	2.76 in (7.000 cm)
Package 1 Width	3.23 in (8.200 cm)
Package 1 Length	3.74 in (9.500 cm)
Package 1 Weight	7.65 oz (217.000 g)
Unit Type Of Package 2	S03
Number Of Units In Package 2	27
Package 2 Height	11.81 in (30.000 cm)
Package 2 Width	11.81 in (30.000 cm)
Package 2 Length	15.75 in (40.000 cm)
Package 2 Weight	14.03 lb(US) (6.362 kg)

## Contractual warranty

Warranty	18 months
----------	-----------

## Sustainability


**Green Premium™ label** is Schneider Electric's commitment to delivering products with best-in-class environmental performance. Green Premium promises compliance with the latest regulations, transparency on environmental impacts, as well as circular and low-CO<sub>2</sub> products.


**Guide to assessing product sustainability** is a white paper that clarifies global eco-label standards and how to interpret environmental declarations.

[Learn more about Green Premium >](#)

[Guide to assess a product's sustainability >](#)

## Well-being performance

 Mercury Free

 Rohs Exemption Information [Yes](#)

**Reach Regulation** [REACH Declaration](#)

**Eu Rohs Directive** Pro-active compliance (Product out of EU RoHS legal scope)

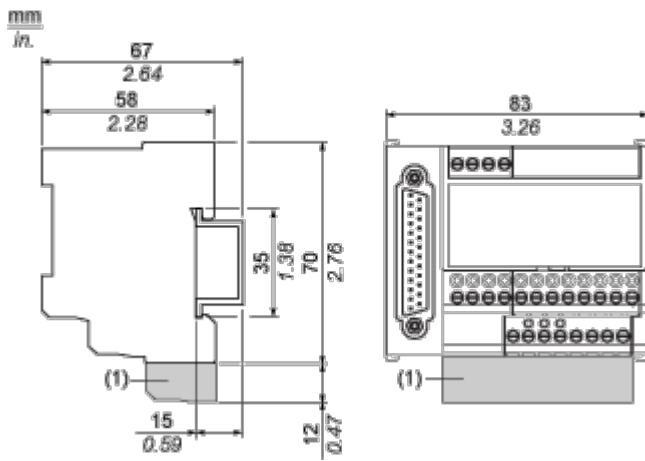
**China Rohs Regulation** [China RoHS declaration](#)

**California Proposition 65** WARNING: This product can expose you to chemicals including: Lead and lead compounds, which is known to the State of California to cause cancer and birth defects or other reproductive harm. For more information go to [www.P65Warnings.ca.gov](http://www.P65Warnings.ca.gov)

Dimensions Drawings

Dimensions

---



(1) ABE7BV10

Mounting and Clearance

Mounting

---

