

# Product data sheet

Specifications



## connection sub-base ABE7 - for distribution of 4 analog channels protected

ABE7CPA410

**Product availability: Non-Stock - Not normally stocked in distribution facility**

## Main

Range Of Product	Modicon ABE7
Product Or Component Type	Connection sub-base for analogue channels
Number Of Channels	4
Connections - Terminals	Screw type terminals, 1 x 0.09...1 x 1.5 mm <sup>2</sup> AWG 28...AWG 16) flexible with cable end Screw type terminals, 1 x 0.14...1 x 2.5 mm <sup>2</sup> AWG 26...AWG 12) solid Screw type terminals, 1 x 0.14...1 x 2.5 mm <sup>2</sup> AWG 26...AWG 14) flexible without cable end Screw type terminals, 2 x 0.09...2 x 0.75 mm <sup>2</sup> AWG 28...AWG 20) flexible with cable end Screw type terminals, 2 x 0.2...2 x 2.5 mm <sup>2</sup> AWG 24...AWG 14) solid

## Complementary

Function Of Module	Distribution of supply and 4 analogue channels protected isolated Modicon M340
Product Compatibility	Modicon M340 BMXAMI0410
Connection To Plc	SUB-D 25
Fixing Mode	By clips (35 mm symmetrical DIN rail) By screws (solid plate with fixing kit)
[Ui] Rated Insulation Voltage	2000 V terminals/mounting rails
Installation Category	II IEC 60664-1
Tightening Torque	5.31 lbf.in (0.6 N.m) flat Ø 3.5 mm
Net Weight	0.40 lb(US) (0.18 kg)

## Environment

Product Certifications	DNV UL GL CSA
Ip Degree Of Protection	IP20 conforming to IEC 60529
Resistance To Incandescent Wire	1382 °F (750 °C) 30 s IEC 60695-2-11
Shock Resistance	15 gn 11 ms IEC 60068-2-27
Vibration Resistance	2 gn 10...150 Hz)IEC 60068-2-6
Resistance To Electrostatic Discharge	4 kV contact) level 3 IEC 61000-4-2 8 kV air) level 3 IEC 61000-4-2
Resistance To Radiated Fields	9.14 V/m (10 V/m) 26000000...1000000000 Hz)IEC 61000-4-3 level 3
Resistance To Fast Transients	2 kV level 3 IEC 61000-4-4
Ambient Air Temperature For Operation	32...140 °F (0...60 °C) IEC 61131-2

Price is "List Price" and may be subject to a trade discount – check with your local distributor or retailer for actual price.

---

Ambient Air Temperature For Storage	-40...176 °F (-40...80 °C) IEC 61131-2
Pollution Degree	2 IEC 60664-1

---

## Ordering and shipping details

---

Category	US10CP222375
Discount Schedule	0CP2
Gtin	3595863931594
Returnability	Yes
Country Of Origin	FR

---

## Packing Units

---

Unit Type Of Package 1	PCE
Number Of Units In Package 1	1
Package 1 Height	3.15 in (8.000 cm)
Package 1 Width	2.76 in (7.000 cm)
Package 1 Length	3.74 in (9.500 cm)
Package 1 Weight	7.83 oz (222.000 g)

---

## Contractual warranty

---

Warranty	18 months
----------	-----------

---

## Sustainability


**Green Premium™ label** is Schneider Electric's commitment to delivering products with best-in-class environmental performance. Green Premium promises compliance with the latest regulations, transparency on environmental impacts, as well as circular and low-CO<sub>2</sub> products.

**Guide to assessing product sustainability** is a white paper that clarifies global eco-label standards and how to interpret environmental declarations.

[Learn more about Green Premium >](#)

[Guide to assess a product's sustainability >](#)

## Well-being performance

 Mercury Free

---

 Rohs Exemption Information [Yes](#)

---

**Reach Regulation** [REACH Declaration](#)

---

**Eu Rohs Directive** Pro-active compliance (Product out of EU RoHS legal scope)

---

**China Rohs Regulation** [China RoHS declaration](#)

---

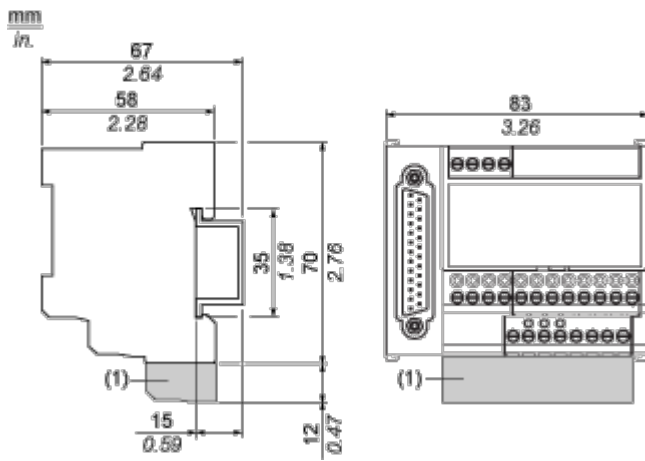
**California Proposition 65** WARNING: This product can expose you to chemicals including: Lead and lead compounds, which is known to the State of California to cause cancer and birth defects or other reproductive harm. For more information go to [www.P65Warnings.ca.gov](http://www.P65Warnings.ca.gov)

---

Dimensions Drawings

Dimensions

---

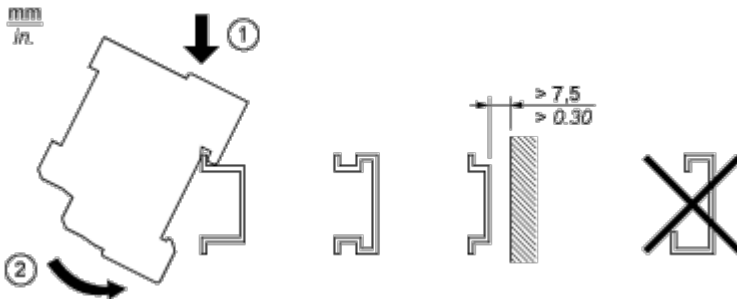


(1) ABE7BV10

Mounting and Clearance

Mounting

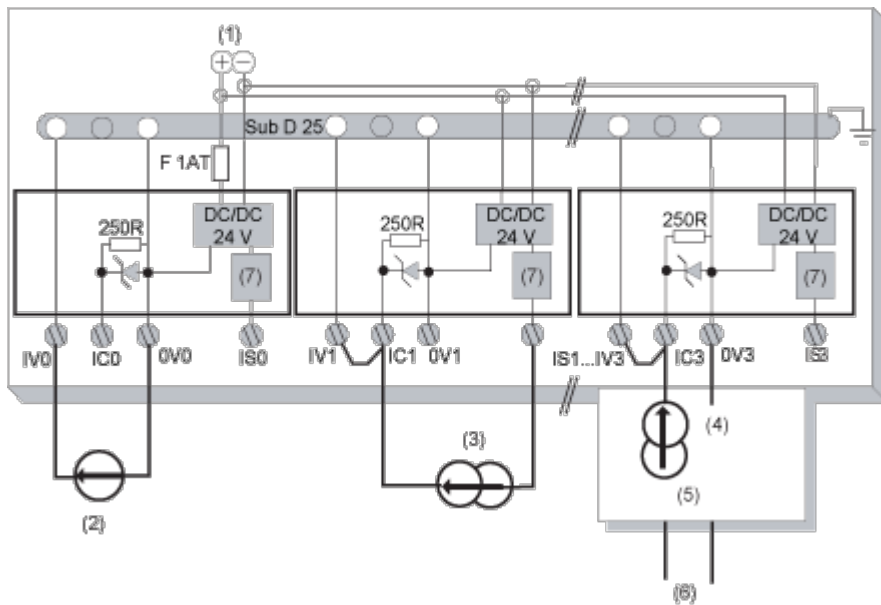
---



Connections and Schema

Wiring Diagram

Channels	SUBD25	Description	Channels	SUBD25	Description
1	/	Earth		/	24 VDC Input
2	/	Earth		/	24 VDC Input
3	/	Earth		/	0V24 Input
4	/	COM 0V0		/	0V24 Input
100		Output IS V0	101	14 (SUBD)	COM 0V0
102		Output IS V1	103	3 (SUBD)	COM 0V1
104		Output IS V2	105	17 (SUBD)	COM 0V2
106		Output IS V3	107	6 (SUBD)	COM 0V3
200	1 (SUBD)	Input IV V0	201		Input IC V0
202	15 (SUBD)	Input IV V1	203		Input IC V1
204	4 (SUBD)	Input IV V2	205		Input IC V2
206	18 (SUBD)	Input IV V3	207		Input IC V3



- (1) 24 V IEC input
- (2) Voltage sensor
- (3) 2-wire current sensor
- (4) 0 V sensor
- (5) 4-wire current sensor

(6) 4-wire sensor supply

(7) Protection 25 mA