



Image may differ from product. See technical specification for details.

## SA 40 ES-2RS

Rod end, requires maintenance, sealed, male thread

These SKF rod ends contain a spherical plain bearing with a steel/steel sliding contact surface combination and a double-lip contact seal on both sides. The bearing requires maintenance and can be relubricated via a grease fitting in the housing and via the shaft. The male thread is available with a left- (prefix SAL) or a right-hand thread. Some sizes have different fitting dimensions (SA(L)A series).

- Long service life
- Minimal maintenance
- Easy to relubricate
- Suitable for heavy static, alternating or impact loads
- Simple and ready-to-mount

# Overview

## Dimensions

Bore diameter, bearing inner ring	1.575 in
Outside diameter, housing eye	3.701 in
Width, bearing inner ring	1.102 in
Thread designation	M 42x3
Width, housing eye	0.945 in
Centre height, housing (from end of shank)	5.709 in
Housing length, total	7.638 in

## Performance

Basic dynamic load rating	22 481 lbf
Basic static load rating	31 473 lbf

## Properties

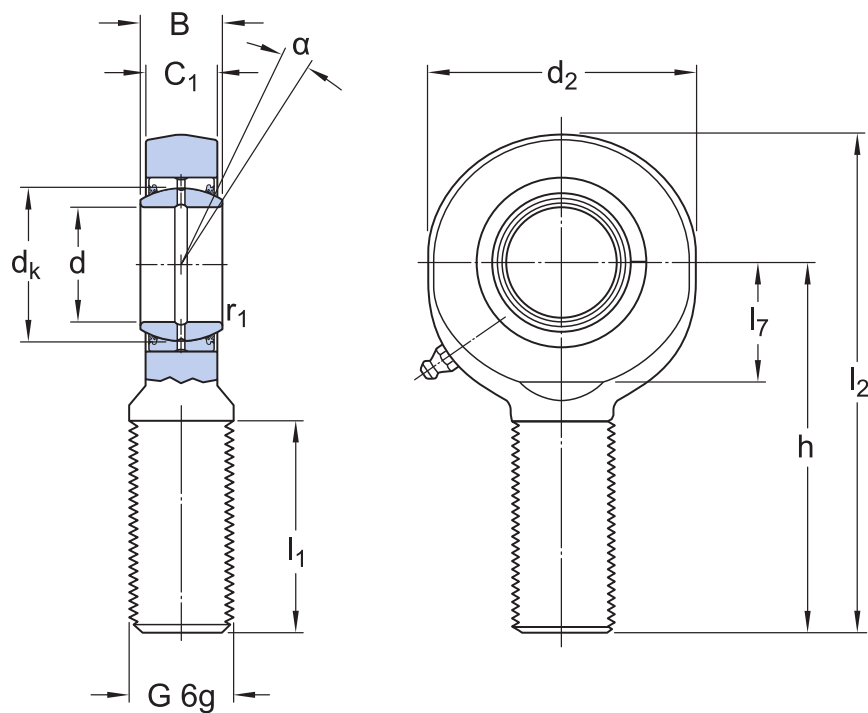
Sliding contact surface combination	Steel/steel, standard
Material, housing	Steel
Material, inner ring	Bearing steel
Material, outer ring	Bearing steel
Maintenance	Relubrication required
Attachment feature, rod end shank	Right-hand male thread
Sealing	Seal on both sides
Sealing type	Double-lip

## Logistics

Product net weight	4.45 lb
eClass code	23-05-01-05
UNSPSC code	31171508

## Technical specification

Maintenance	Relubrication required
Sliding contact surface combination	Steel/steel, standard
Material, inner ring	Bearing steel
Material, outer ring	Bearing steel
Sealing	Seal on both sides
Sealing type	Double-lip
Attachment feature, rod end shank	Right-hand male thread



## Dimensions

d	1.575 in	Bore diameter
d <sub>2</sub>	max. 3.701 in	Diameter head
B	1.102 in	Width inner ring
G	M 42x3	Thread
C <sub>1</sub>	max. 0.945 in	Width head
h	5.709 in	Height shank end face - centre rod end eye
α	6°	Angle of tilt
d <sub>k</sub>	2.087 in	Raceway diameter inner ring
l <sub>1</sub>	min. 2.992 in	Length thread

$l_2$	max. 7.638 in	Length (height) housing
$l_7$	min. 1.811 in	Distance shank chamfer - centre rod end eye
$r_1$	min. 0.024 in	Chamfer dimension bore

## Calculation data

Basic dynamic load rating	C	22 481 lbf
Basic static load rating	$C_0$	31 473 lbf
Specific dynamic load factor	K	14 503.774 psi
Material constant	$K_M$	330

## Tolerances and clearances

- [General bearing specifications](#)



## More Information

### Product details

[Rod ends bearings requiring maintenance](#)

---

[Maintenance-free rod ends](#)

---

[General rod end specifications](#)

---

[Temperature limits](#)

---

### Engineering information

[Principles of selection](#)

---

### Tools

[SKF Product select](#)

---

# Terms of use

By accessing and using this website / app owned and published by AB SKF (publ.) (556007-3495 · Gothenburg) ("SKF"), you agree to the following terms and conditions:

## Warranty Disclaimer and Limitation of Liability

Although every care has been taken to assure the accuracy of the information on this website / app, SKF provides this information "AS IS" and DISCLAIMS ALL WARRANTIES, EXPRESS OR IMPLIED, INCLUDING, BUT NOT LIMITED TO, IMPLIED WARRANTIES OF MERCHANTABILITY AND FITNESS FOR A PARTICULAR PURPOSE. You acknowledge that your use of this website / app is at your sole risk, that you assume full responsibility for all costs associated with use of this website / app, and that SKF shall not be liable for any direct, incidental, consequential, or indirect damages of any kind arising out of your access to, or use of the information or software made available on this website / app.

Any warranties and representations in this website / app for SKF products or services that you purchase or use will be subject to the agreed upon terms and conditions in the contract for such product or service.

Further, for non-SKF websites / apps that are referenced in our website / app or where a hyperlink appears, SKF makes no warranties concerning the accuracy or reliability of the information in these websites / apps and assumes no responsibility for material created or published by third parties contained therein. In addition, SKF does not warrant that this website / app or these other linked websites / apps are free from viruses or other harmful elements.

## Third Party Services

When viewing YouTube content via the SKF website(s) (i.e. using [YouTube API Services](#)), you agree to be bound by the [YouTube Terms of Service](#).

## Copyright

Copyright in this website / app copyright of the information and software made available on this website / app rest with SKF or its licensors. All rights are reserved. All licensed material will reference the licensor that has granted SKF the right to use the material. The information and software made available on this website / app may not be reproduced, duplicated, copied, transferred, distributed, stored, modified, downloaded or otherwise exploited for any commercial use without the prior written approval of SKF. However, it may be reproduced, stored and downloaded for use by individuals without prior written approval of SKF. Under no circumstances may this information or software be supplied to third parties.

This website /app includes certain images used under license from Shutterstock, Inc.

## Trademarks and Patents

All trademarks, brand names, and corporate logos displayed on the website / app are the property of SKF or its licensors, and may not be used in any way without prior written approval by SKF. All licensed trademarks published on this website / app reference the licensor that has granted SKF the right to use the trademark. Access to this website / app does not grant to the user any license under any patents owned by or licensed to SKF.

## Changes

SKF reserves the right to make changes or additions to this website / app at any time.