



PZ-M71P

Square Reflective Cable Type, PNP



*Please note that accessories depicted in the image are for illustrative purposes only and may not be included with the product.

Specifications

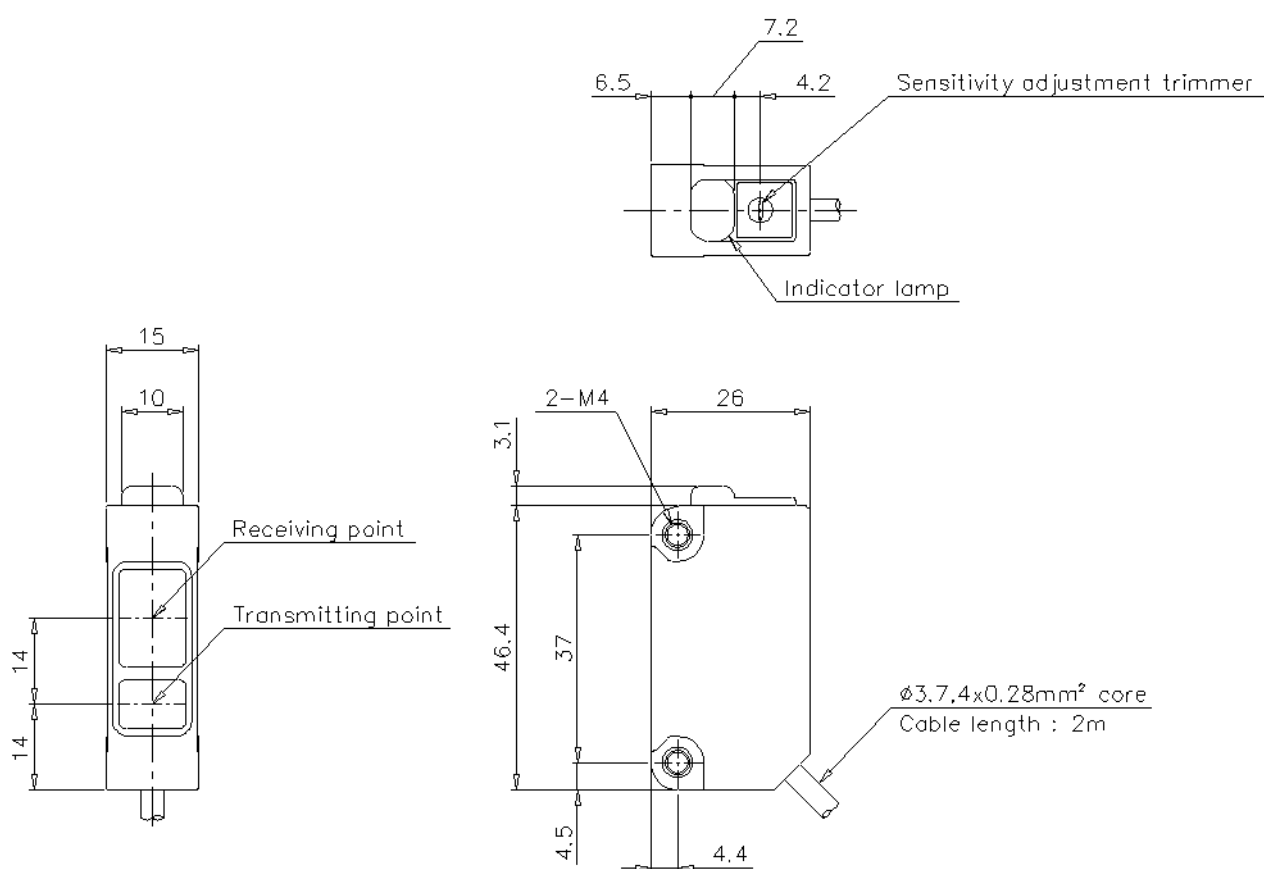
Model	PZ-M71P	
Type	Intelligent reflective	
Output	PNP	
Detecting distance	20 to 900 mm 0.79" x 35.43" (300 x 300 mm 11.81" x 11.81" white mat paper)*1	
Setting distance	150 to 900 mm 5.91" x 35.43" (300 x 300 mm 11.81" x 11.81" white mat paper)	
Light source.	Infrared LED	
Sensitivity adjustment	1-turn trimmer (230°)	
Response time	1 ms max.	
Operation mode	LIGHT-ON/DARK-ON (switch-selectable)	
Indicator lamp	—	
Control output	100 mA (24 V) max., Residual voltage: 1 V max.	
Digital monitor	—	
Protection circuit	Reversed polarity, overcurrent protection, surge absorber	
Rating	Power voltage	12 to 24 VDC ±10 %, Ripple (P-P) 10 % or less
	Power consumption	38 mA max.
Environmental resistance	Enclosure rating	IP67
	Ambient light	Incandescent lamp: 3,000 lux max., Sunlight: 20,000 lux max.
	Ambient temperature	-20 to +55 °C -4 to 131 °F (No freezing)
	Relative humidity	35 to 85 % RH (No condensation)
	Vibration resistance	10 to 55 Hz, Double amplitude 1.5 mm 0.06", 2 hours in each of the X, Y, and Z directions
	Shock resistance	1,000 m/s ² , 6 times in each of the X, Y, and Z directions
Case material	Glass-fiber reinforced plastic	
Accessories	—	
Weight	Approx. 70 g (including 2-m 6.6' cable)	

*1 The detecting distance is obtained with the maximum sensitivity.

Dimensions

* Download CAD file or product manual for larger image/text and more detail.

PZ-M71



I/O Circuit Connection diagram

* Download CAD file or product manual for larger image/text and more detail.

