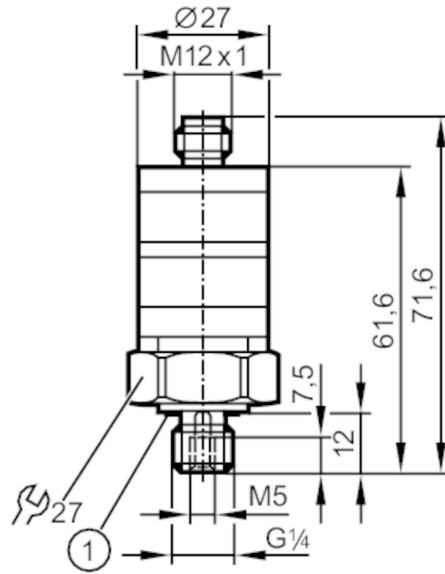


PK5524



Pressure switch with intuitive switch point setting

PK-010-RFG14-PSPKG/US/ /W



1 sealing



Product characteristics

Number of inputs and outputs	Number of digital outputs: 1	
Measuring range	0...10 bar	0...145 psi
Process connection	threaded connection G 1/4 external thread Internal thread:M5	

Application

Application	for industrial applications	
Media	liquids and gases	
Medium temperature [°C]	-25...80	
Min. bursting pressure	300 bar	4350 psi
Pressure rating	25 bar	362 psi
Type of pressure	relative pressure	

Electrical data

Operating voltage [V]	9.6...32 DC	
Current consumption [mA]	< 25	
Min. insulation resistance [MΩ]	100; (500 V DC)	
Protection class	III	
Reverse polarity protection	yes	

Inputs / outputs

Number of inputs and outputs	Number of digital outputs: 1	
------------------------------	------------------------------	--

Outputs

Total number of outputs	1	
Output signal	switching signal	
Electrical design	PNP	
Number of digital outputs	1	
Output function	normally open	

PK5524



Pressure switch with intuitive switch point setting

PK-010-RFG14-PSPKG/US/ /W

Max. voltage drop switching output DC [V]	2
Permanent current rating of switching output DC [mA]	500
Switching frequency DC [Hz]	100
Short-circuit protection	yes
Type of short-circuit protection	yes (non-latching)
Overload protection	yes

Measuring/setting range		
Measuring range	0...10 bar	0...145 psi
Set point SP	0.5...10 bar	7.5...145 psi
Hysteresis	0.2 bar	2.9 psi

Accuracy / deviations	
Switch point accuracy [% of the final value]	< ± 2,5; (Setting accuracy)
Repeatability [% of the final value]	< ± 0,5; (with temperature fluctuations < 10 K)
Characteristics deviation [% of the final value]	< ± 1,5 (BFSL) / < ± 2,5 (LS); (BFSL = Best Fit Straight Line; LS = limit value setting)
Temperature drift per 10 K	< ± 0.5

Software / programming	
Adjustment of the switch point	setting ring

Operating conditions	
Ambient temperature [°C]	-25...80
Storage temperature [°C]	-40...100
Protection	IP 67

Tests / approvals		
EMC	DIN EN 61000-6-2	
	DIN EN 61000-6-3	
Shock resistance	DIN IEC 68-2-27	50 g (11 ms)
Vibration resistance	DIN IEC 68-2-6	20 g (10...2000 Hz)
MTTF [years]		576
Pressure equipment directive	sound engineering practice; can be used for group 2 fluids; group 1 fluids on request	

Mechanical data	
Weight [g]	92.5
Material	PBT; PC; FKM; stainless steel (1.4404 / 316L)
Materials (wetted parts)	stainless steel (1.4404 / 316L); FKM
Min. pressure cycles	50 million
Tightening torque [Nm]	25
Process connection	threaded connection G 1/4 external thread Internal thread:M5
Restrictor element integrated	no (can be retrofitted)

Displays / operating elements		
Display	Power	LED, green
	Switching status	LED, yellow

PK5524



Pressure switch with intuitive switch point setting

PK-010-RFG14-PSPKG/US/ /W

With scale yes

Remarks

Pack quantity 1 pcs.

Electrical connection

Connector: 1 x M12; coding: A



Connection

