

OPT-24DC/ 24DC/ 5 - Miniature solid-state relay



2982100

<https://www.phoenixcontact.com/fr/products/2982100>

Please be informed that the data shown in this PDF document is generated from our online catalog. Please find the complete data in the user documentation. Our general terms of use for downloads are valid.



Plug-in miniature solid-state relay, power solid-state relay, 1 N/O contact, input: 24 V DC, output: 3 - 33 V DC/5 A

Your advantages

- Vibration and shock resistant
- RT III-proof (wash-proof)
- Wear-free and durable
- Zero voltage switch at AC output
- Switching power of up to 24 V DC/5 A
- Can be soldered on PCB

Commercial data

Item number	2982100
Packing unit	10 pc
Minimum order quantity	10 pc
Sales key	DK69L1
Product key	DK69L1
GTIN	4017918937492
Weight per piece (including packing)	11,65 g
Weight per piece (excluding packing)	11,65 g
Customs tariff number	85364190
Country of origin	HU

OPT-24DC/ 24DC/ 5 - Miniature solid-state relay



2982100

<https://www.phoenixcontact.com/fr/products/2982100>

Technical data

Product properties

Product type	Single solid-state relay
Operating mode	100% operating factor

Insulation characteristics: Standards/regulations

Insulation	Basic insulation
Overvoltage category	III
Pollution degree	2

Data management status

Date of last data management	01.04.2026
------------------------------	------------

Electrical properties

Maximum power dissipation for nominal condition	0.17 W
Test voltage (Input/output)	2.5 kV (50 Hz, 1 min., input/output)

Standards/regulations

Rated insulation voltage	100 V DC
--------------------------	----------

Input data

Nominal input voltage U_N	24 V DC
Input voltage range in reference to U_N	0.8 ... 1.2
Input voltage range	19.2 V DC ... 28.8 V DC
Switching threshold "0" signal in reference to U_N	0.4
Switching threshold "1" signal in reference to U_N	0.7
Typical input current at U_N	7 mA
Typical response time	20 μ s
Typical turn-off time	400 μ s
Protective circuit	Reverse polarity protection; Polarity protection diode
Transmission frequency	300 Hz

Output data

Contact switching type	1 N/O contact
Design of digital output	electronic
Output nominal voltage	24 V DC
Output voltage range	3 V DC ... 33 V DC
Limiting continuous current	5 A (see derating curve)
Maximum inrush current	15 A (10 ms)
Surge voltage protection	> 33 V DC
Voltage drop at max. limiting continuous current	\leq 200 mV
Output circuit	2-conductor, floating
Protective circuit	Reverse polarity protection; Polarity protection diode Surge protection

OPT-24DC/ 24DC/ 5 - Miniature solid-state relay



2982100

<https://www.phoenixcontact.com/fr/products/2982100>

Dimensions

Item dimensions

Width	12.7 mm
Height	29 mm
Depth	15.7 mm

Material specifications

Color	black (RAL 9005)
Flammability rating according to UL 94 (Housing)	V0 (Housing)

Environmental and real-life conditions

Ambient conditions

Degree of protection	RT III
Ambient temperature (operation)	-25 °C ... 60 °C
Ambient temperature (storage/transport)	-25 °C ... 70 °C

Approvals

Corrosive gas test

Identification	ISA-S71.04. G3 Harsh Group
	EN 60068-2-60

Standards and regulations

Standards/regulations

Standards/regulations	IEC 60664
	EN 50178

Mounting

Assembly note	in rows with zero spacing
---------------	---------------------------

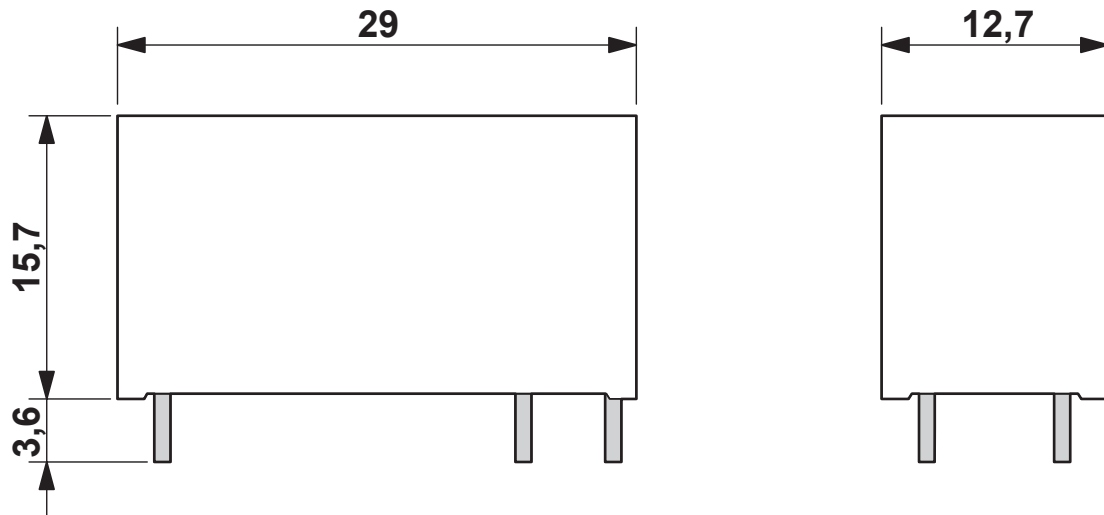
OPT-24DC/ 24DC/ 5 - Miniature solid-state relay

2982100

<https://www.phoenixcontact.com/fr/products/2982100>

Drawings

Dimensional drawing



Diagram

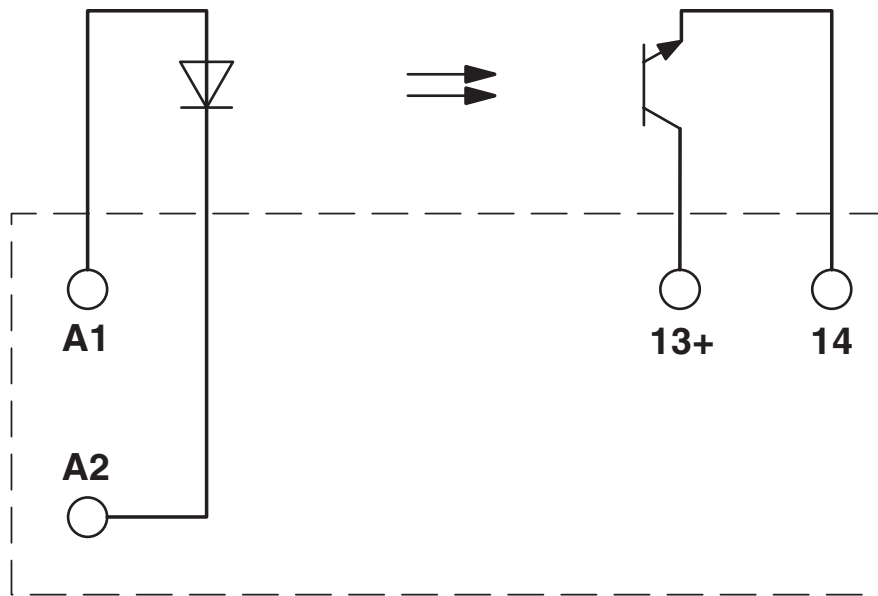


OPT-24DC/ 24DC/ 5 - Miniature solid-state relay

2982100

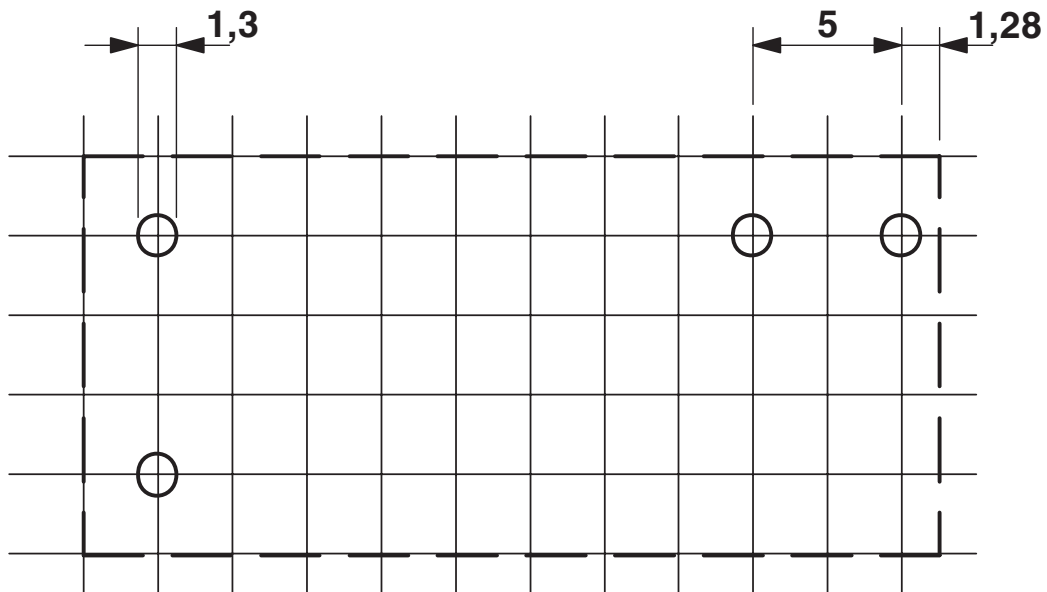
<https://www.phoenixcontact.com/fr/products/2982100>

Circuit diagram



Pin assignments: View of the connections

Drilling plan/solder pad geometry



Basic pitch 2.5 mm

OPT-24DC/ 24DC/ 5 - Miniature solid-state relay



2982100

<https://www.phoenixcontact.com/fr/products/2982100>

Approvals

To download certificates, visit the product detail page: <https://www.phoenixcontact.com/fr/products/2982100>



cUL Recognized
Approval ID: FILE E 195083



UL Recognized
Approval ID: FILE E 195083



EAC
Approval ID: RU*C-DE.*08.B.00010



UL Recognized
Approval ID: FILE E 195083



cUL Recognized
Approval ID: FILE E 195083

OPT-24DC/ 24DC/ 5 - Miniature solid-state relay



2982100

<https://www.phoenixcontact.com/fr/products/2982100>

Classifications

ECLASS

ECLASS-13.0	27371604
ECLASS-15.0	27371604

ETIM

ETIM 10.0	EC001504
-----------	----------

UNSPSC

UNSPSC 21.0	39122300
-------------	----------

OPT-24DC/ 24DC/ 5 - Miniature solid-state relay



2982100

<https://www.phoenixcontact.com/fr/products/2982100>

Environmental product compliance

EU RoHS

Fulfills EU RoHS substance requirements	Yes
Exemption	7(c)-I

China RoHS

Environment friendly use period (EFUP)	EFUP-E
	No hazardous substances above the limits

EU REACH SVHC

REACH candidate substance (CAS No.)	No substance above 0.1 wt%
-------------------------------------	----------------------------

EF3.1 Climate Change

CO2e kg	0,704 kg CO2e
---------	---------------

Phoenix Contact 2026 © - all rights reserved

<https://www.phoenixcontact.com>

PHOENIX CONTACT SAS

52 Boulevard de Beaubourg Emerainville

77436 Marne La Vallée Cedex 2 France

+33 (0) 1 60 17 98 98

documentation@phoenixcontact.fr