

MCR-PS-230AC/24DC/100 - Signal conditioner



2786047

<https://www.phoenixcontact.com/fr/produits/2786047>

Please be informed that the data shown in this PDF document is generated from our Online Catalog. Please find the complete data in the user documentation. Our General Terms of Use for Downloads are valid.



Power supply unit, with fixed-voltage regulator, input 230 V AC, output 24 V DC/100 mA

Commercial Data

Item number	2786047
Packing unit	1 pc
Minimum order quantity	1 pc
Product Key	CMPL13
GTIN	4017918070458
Weight per Piece (including packing)	321 g
Weight per Piece (excluding packing)	321 g
Country of origin	DE

MCR-PS-230AC/24DC/100 - Signal conditioner



2786047

<https://www.phoenixcontact.com/fr/produits/2786047>

Technical Data

Input data

Input voltage	230 V AC $\pm 10\%$
AC frequency range	50 Hz ... 60 Hz
Current consumption	approx. 35 mA
Nominal power consumption	approx. 8 VA

Output data

Number of outputs	1
Nominal output voltage	24 V DC $\pm 4\%$
Nominal output current (I_N)	100 mA
Residual ripple	≤ 50 mV _{PP} (at $U_N = 24$ V AC)
Output fuse	0.125 A (normal blow)

Connection data

Input

Connection method	Screw connection
Conductor cross section, rigid min.	0.2 mm ²
Conductor cross section, rigid max.	2.5 mm ²
Conductor cross section flexible min.	0.2 mm ²
Conductor cross section flexible max.	2.5 mm ²
Conductor cross section AWG min.	24
Conductor cross section AWG max.	14
Stripping length	8 mm
Screw thread	M3

Output

Connection method	Screw connection
Conductor cross section, rigid min.	0.2 mm ²
Conductor cross section, rigid max.	2.5 mm ²
Conductor cross section flexible min.	0.2 mm ²
Conductor cross section flexible max.	2.5 mm ²
Conductor cross section AWG min.	24
Conductor cross section AWG max.	14
Stripping length	8 mm
Screw thread	M3

Electrical properties

Test voltage input/output	4 kV AC
---------------------------	---------

Product properties

Product type	Power supply
Operating mode	100% operating factor

MCR-PS-230AC/24DC/100 - Signal conditioner



2786047

<https://www.phoenixcontact.com/fr/produits/2786047>

Dimensions

Width	40 mm
Height	85.5 mm
Depth	79 mm
Horizontal pitch	2.2 Div.

Mounting

Assembly instructions	Can be aligned with spacing = 10 mm
Mounting position	On horizontal DIN rail

Environmental and real-life conditions

Ambient conditions

Degree of protection	IP20
Ambient temperature (operation)	0 °C ... 60 °C

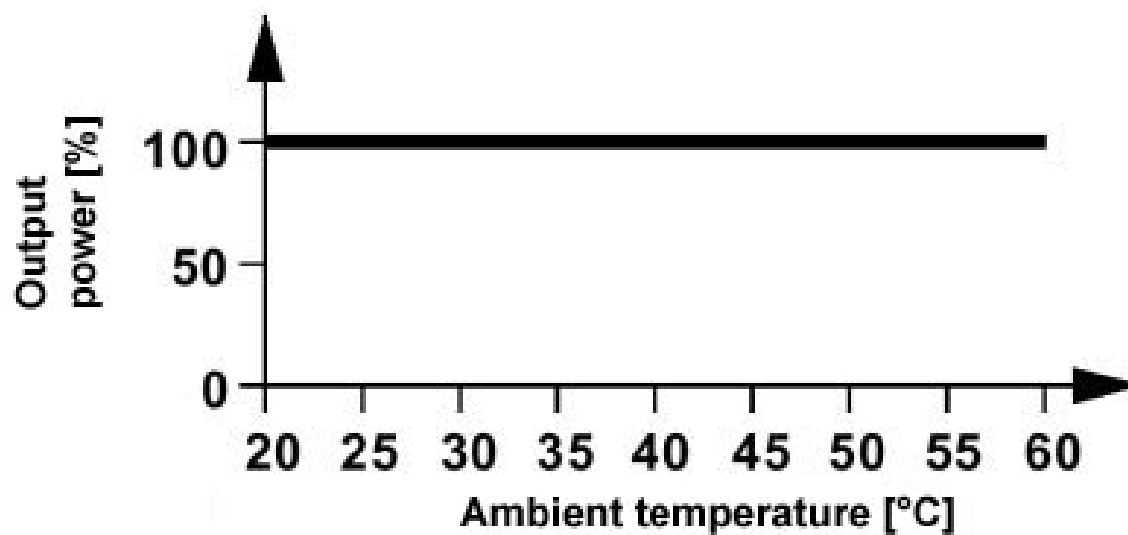
Standards and regulations

Standards

Standards/regulations	IEC 664
	IEC 664 A
	DIN VDE 0110-1
	DIN VDE 0551

Drawings

Diagram

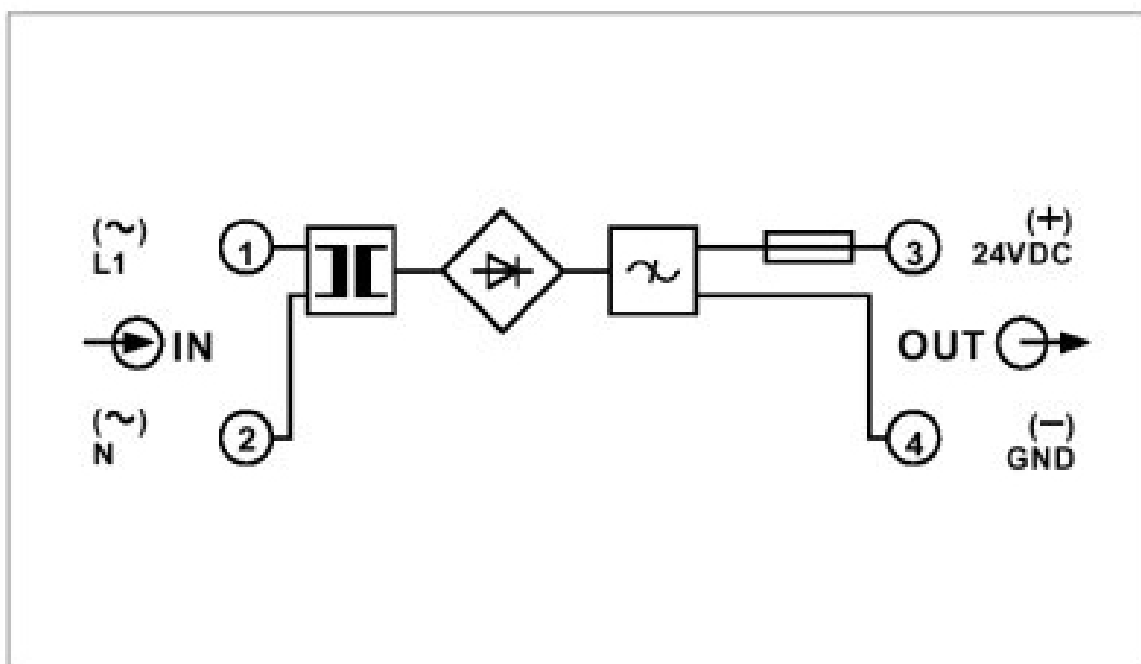


MCR-PS-230AC/24DC/100 - Signal conditioner

2786047

<https://www.phoenixcontact.com/fr/produits/2786047>

Circuit diagram



Phoenix Contact 2023 © - all rights reserved
<https://www.phoenixcontact.com>

PHOENIX CONTACT SAS
52 Boulevard de Beaubourg Emerainville
77436 Marne La Vallée Cedex 2 France
+33 (0) 1 60 17 98 98
documentation@phoenixcontact.fr