

HC-A 3-TFL/PG11G/ALU - Housing



1773048

<https://www.phoenixcontact.com/fr/products/1773048>

Please be informed that the data shown in this PDF document is generated from our online catalog. Please find the complete data in the user documentation. Our general terms of use for downloads are valid.



Sleeve housing, for single locking latch, height 57 mm, with screw connection, 1 x Pg11, straight cable outlet, zinc die-cast

Commercial data

Item number	1773048
Packing unit	10 pc
Minimum order quantity	1 pc
Product key	AF7AAE
GTIN	4017918122317
Weight per piece (including packing)	81,85 g
Weight per piece (excluding packing)	80,27 g
Country of origin	DE

HC-A 3-TFL/PG11G/ALU - Housing

1773048

<https://www.phoenixcontact.com/fr/products/1773048>

Technical data

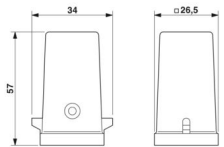
Notes

General	for contact inserts HC-A03, A04, D07, D08, Q02, Q03, Q04, Q05, Q07, Q12
---------	---

Product properties

Product type	Housing with locking latch
Housing type	Sleeve housing
Application	Standard
Type	D7
No. of cable outlets	1
Type of the screw connection	1x Pg11
Shielded	no
Cable outlet	straight
Pg screw connection	with

Dimensions

Dimensional drawing	
Width	34 mm
Height	57 mm
Length	26.5 mm
Wrench size, union nut	18 mm

Material specifications

Material Screw connection	Brass, nickel-plated
Seal material Cable seal	NBR
Housing material	Die-cast zinc
Housing surface material	Powder-coated, gray

Mechanical properties

Mechanical data

Type of the screw connection	1x Pg11
Locking type	Pin

Cable/line

External cable diameter Cable 1	7.5 mm ... 12.5 mm
---------------------------------	--------------------

Connection data

External cable diameter	7.5 mm ... 12.5 mm
-------------------------	--------------------

HC-A 3-TFL/PG11G/ALU - Housing



1773048

<https://www.phoenixcontact.com/fr/products/1773048>

Environmental and real-life conditions

Ambient conditions

Degree of protection	IP54
	IP65 (with sealing screw)
Ambient temperature (operation)	-40 °C ... 125 °C

HC-A 3-TFL/PG11G/ALU - Housing

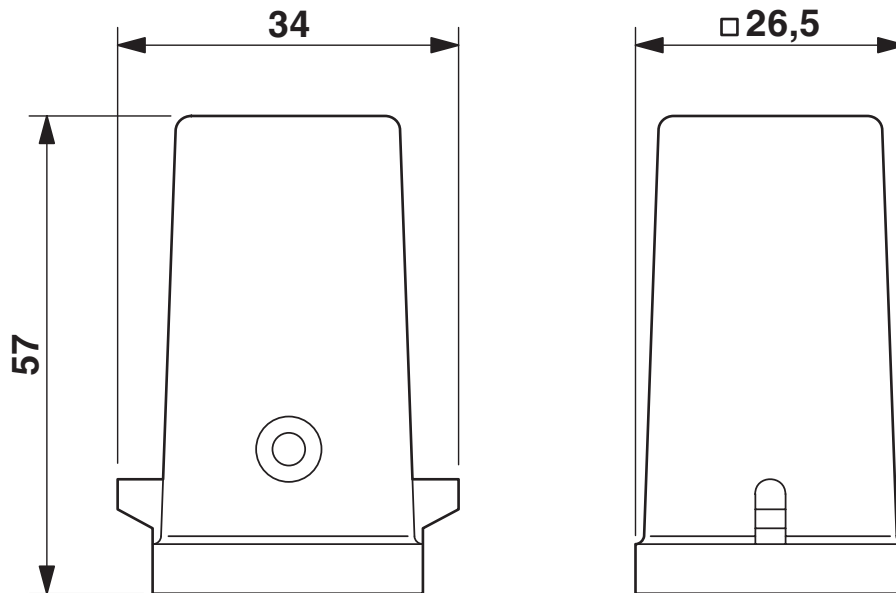


1773048

<https://www.phoenixcontact.com/fr/products/1773048>

Drawings

Dimensional drawing



Dimensional drawing

HC-A 3-TFL/PG11G/ALU - Housing



1773048

<https://www.phoenixcontact.com/fr/products/1773048>

Classifications

ECLASS

ECLASS-13.0	27440202
ECLASS-15.0	27440202

HC-A 3-TFL/PG11G/ALU - Housing



1773048

<https://www.phoenixcontact.com/fr/products/1773048>

Environmental product compliance

China RoHS

Environment friendly use period (EFUP)	EFUP-E
	No hazardous substances above the limits

EU REACH SVHC

REACH candidate substance (CAS No.)	No substance above 0.1 wt%
-------------------------------------	----------------------------

Phoenix Contact 2026 © - all rights reserved
<https://www.phoenixcontact.com>

PHOENIX CONTACT SAS
52 Boulevard de Beaubourg Emerainville
77436 Marne La Vallée Cedex 2 France
+33 (0) 1 60 17 98 98
documentation@phoenixcontact.fr