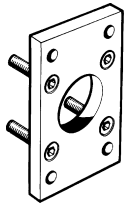


## Cylinder mountings

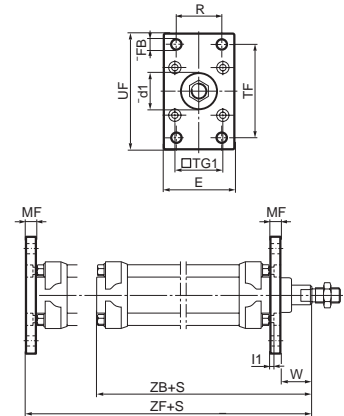
Type	Description	Cyl. bore Ø mm	Weight kg	Order code
<b>Flange MF1/MF2</b>	Intended for fixed mounting of cylinder. Flange can be fitted to front- or rear end-plates of cylinder.  Materials Flange: Surface-treated steel, black Mounting screws acc. to DIN 6912: Zinc-plated steel 8.8  Supplied complete with mounting screws for attachment to cylinder.	32	0,23	<b>P1C-4KMB</b>
		40	0,28	<b>P1C-4LMB</b>
		50	0,53	<b>P1C-4MMB</b>
		63	0,71	<b>P1C-4NMB</b>
		80	1,59	<b>P1C-4PMB</b>
		100	2,19	<b>P1C-4QMB</b>
		125	3,78	<b>P1C-4RMB</b>



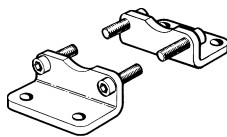
According to ISO MF1/MF2, VDMA 24 562 T.2/2-, AFNOR

Cyl. bore mm	d1 mm	FB mm	TG1 mm	E mm	R mm	MF mm	TF mm	UF mm	I1 mm	W mm	ZF mm	ZB mm
32	30	7	32,5	45	32	10	64	80	5	16	130	123,5
40	35	9	38	52	36	10	72	90	5	20	145	138,5
50	40	9	46,5	65	45	12	90	110	6,5	25	155	146,5
63	45	9	56,5	75	50	12	100	120	6,5	25	170	161,5
80	45	12	72	95	63	16	126	150	8	30	190	177,5
100	55	14	89	115	75	16	150	170	8	35	205	192,5
125	60	16	110	140	90	20	180	205	10,5	45	245	230,5

S = Stroke length



## Foot bracket MS1



Intended for fixed mounting of cylinder. Foot bracket can be fitted to front- and rear end-covers of cylinder.

Materials  
Foot bracket: Surface-treated steel, black  
Mounting screws acc. to DIN 912: Zinc-plated steel 8.8

Supplied in pairs with mounting screws for attachment to cylinder.

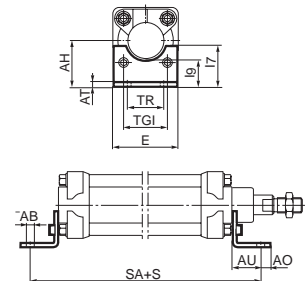
32	0,06*	<b>P1C-4KMF</b>
40	0,08*	<b>P1C-4LMF</b>
50	0,16*	<b>P1C-4MMF</b>
63	0,25*	<b>P1C-4NMF</b>
80	0,50*	<b>P1C-4PMF</b>
100	0,85*	<b>P1C-4QMF</b>
125	1,48*	<b>P1C-4RMF</b>

\* Weight per item

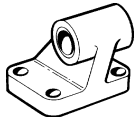
According to ISO MS1, VDMA 24 562 T.2/7-, AFNOR

Cyl. bore mm	AB mm	TG1 mm	E mm	TR mm	AO mm	AU mm	AH mm	I7 mm	AT mm	I9 mm	SA mm
32	7	32,5	45	32	10	24	32	30	4,5	17	142
40	9	38	52	36	8	28	36	30	4,5	18,5	161
50	9	46,5	65	45	13	32	45	36	5,5	25	170
63	9	56,5	75	50	13	32	50	35	5,5	27,5	185
80	12	72	95	63	14	41	63	49	6,5	40,5	210
100	14	89	115	75	15	41	71	54	6,5	43,5	220
125	16	110	140	90	22	45	90	71	8	60	250

S = Stroke length



## Pivot bracket with rigid bearing



Intended for flexible mounting of cylinder. The pivot bracket can be combined with clevis bracket MP2.

Materials  
Pivot bracket: Surface-treated aluminium, black  
Bearing: Sintered oil-bronze bushing

32	0,06	<b>P1C-4KMD</b>
40	0,08	<b>P1C-4LMD</b>
50	0,15	<b>P1C-4MMD</b>
63	0,20	<b>P1C-4NMD</b>
80	0,33	<b>P1C-4PMD</b>
100	0,49	<b>P1C-4QMD</b>
125	1,02	<b>P1C-4RMD</b>

According to CETOP RP 107 P, VDMA 24 562 T.2/5-, AFNOR

Cyl. bore mm	CK mm	S5 mm	K1 mm	K2 mm	G1 mm	G2 mm	EM mm	G3 mm	CA mm	H6 mm	R1 mm
32	10	6,6	38	51	21	18	25,5	31	32	8	10
40	12	6,6	41	54	24	22	27	35	36	10	11
50	12	9	50	65	33	30	31	45	45	12	13
63	16	9	52	67	37	35	39	50	50	12	15
80	16	11	66	86	47	40	49	60	63	14	15
100	20	11	76	96	55	50	59	70	71	15	19
125	25	14	94	124	70	60	69	90	90	20	22,5

