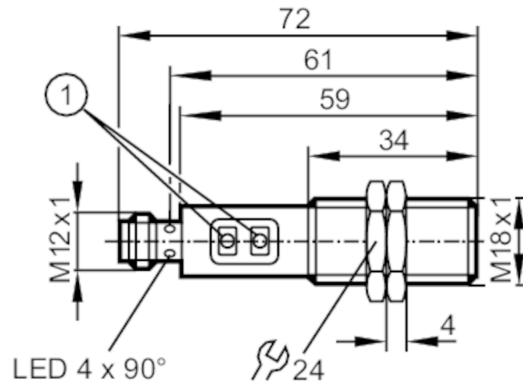


OGH700



Laser diffuse reflection sensor

OGHLFPKG/US100



1 programming buttons



Product characteristics

Type of light	red light
Laser protection class	1
Housing	threaded type

Application

Special feature	Background suppression
Function principle	Diffuse reflection sensor

Electrical data

Operating voltage	[V]	10...36 DC
Current consumption	[mA]	15
Protection class		II
Reverse polarity protection		yes
Type of light		red light
Wave length	[nm]	655
Typ. lifetime	[h]	50000

Outputs

Electrical design		PNP
Output function		light-on/dark-on mode; (programmable)
Max. voltage drop switching output DC	[V]	2.5
Permanent current rating of switching output DC	[mA]	200
Switching frequency DC	[Hz]	1000
Short-circuit protection		yes
Type of short-circuit protection		pulsed
Overload protection		yes

Detection zone

Range	[mm]	20...200; (white paper 200 x 200 mm 90% remission)
-------	------	--

OGH700



Laser diffuse reflection sensor

OGHLFPKG/US100

Range on white object (90 % remission) [mm]	20...200
Range on grey object (18 % remission) [mm]	20...100
Range on black object (6 % remission) [mm]	20...70
Range adjustable	yes
Diameter of the smallest detectable object [mm]	1.5
Max. light spot diameter [mm]	1.2
Background suppression available	yes

Operating conditions

Ambient temperature [°C]	-10...60
Protection	IP 65; IP 67

Tests / approvals

EMC	EN 60947-5-2	
Laser protection class	1	
Notes on laser protection	Caution:	laser light
	laser class:	1
		EN / IEC60825-1:2007
		EN / IEC60825-1:2014
	Complies with 21 CFR 1040 except for deviations pursuant to Laser Notice No. 50, dated June 2007.	
MTTF [years]	485	

Mechanical data

Weight [g]	62.3
Housing	threaded type
Dimensions [mm]	M18 x 1 / L = 72
Thread designation	M18 x 1
Materials	stainless steel (316L/1.4404); PA; LCP; EPDM; TPU
Lens material	PMMA

Displays / operating elements

Display	switching status	1 x LED, yellow
---------	------------------	-----------------

Accessories

Items supplied	lock nuts: 2
----------------	--------------

Remarks

Remarks	operating voltage "supply class 2" according to cULus
Pack quantity	1 pcs.

OGH700



Laser diffuse reflection sensor

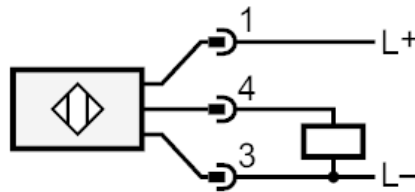
OGHLFPKG/US100

Electrical connection

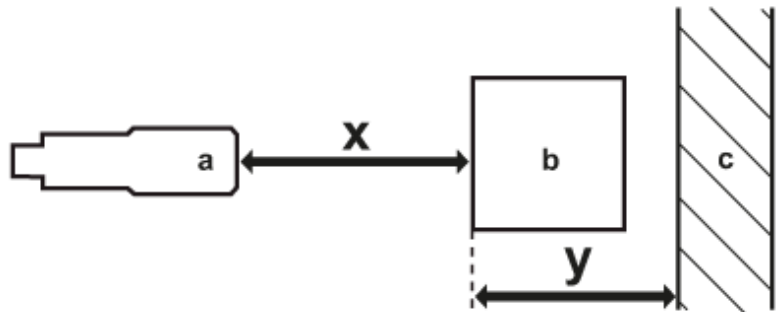
Connector: 1 x M12; coding: A



Connection



Diagrams and graphs



- a: sensor
- b: object
- c: background
- x: distance sensor/object [mm]
- y: min. distance object/background [mm]

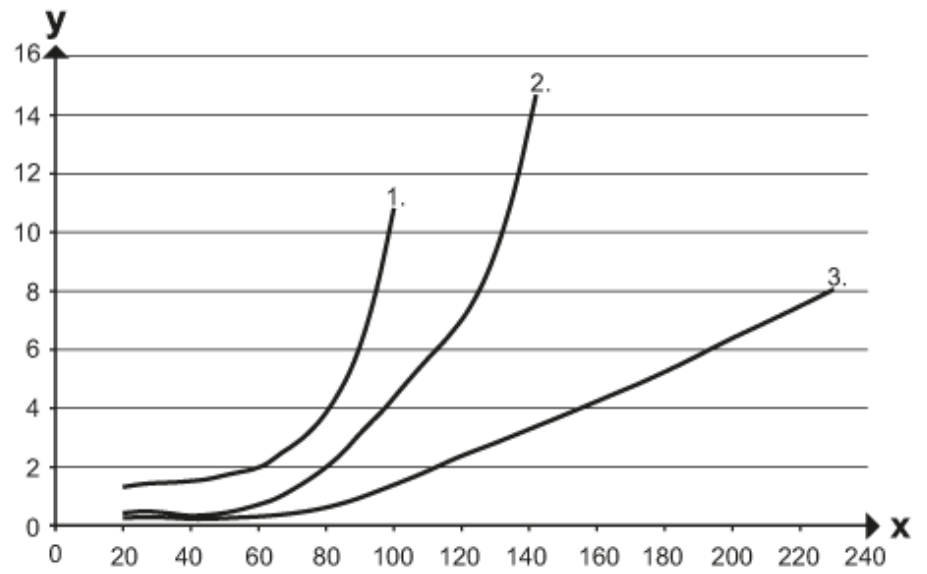
OGH700



Laser diffuse reflection sensor

OGHLFPKG/US100

accuracy graph



x: distance sensor/object [mm]

y: min. distance object/background [mm]

1 = object black (6 % remission) , background white (90 % remission)

2 = object grey (18 % remission) , background white (90 % remission)

3 = object white (90 % remission) , background white (90 % remission)