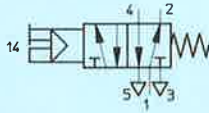


Single solenoid valve

spring return, with manual override

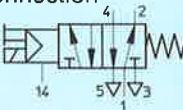
Type MCH-5-1/2

MFH-5-1/2



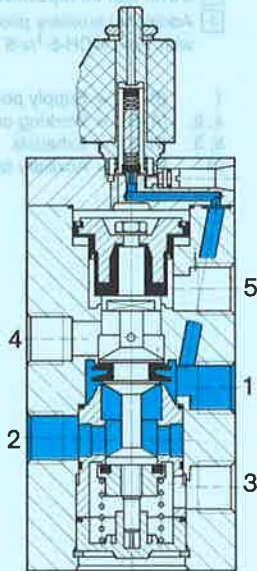
with auxiliary pilot air connection

Type MFH-5-1/2-S

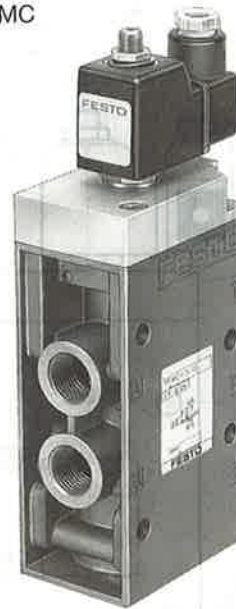


When the voltage supply is switched on, the solenoid is energized and the valve is actuated and remains actuated until the solenoid is deenergized.

Example: Type MCH-5-1/2



MC



MF



Accessories:

For sockets and accessories, see sheets 2.594 to 2.598.

Manifold Type PAL-... for manifold mounting with common P port, see sheet 2.922.

10

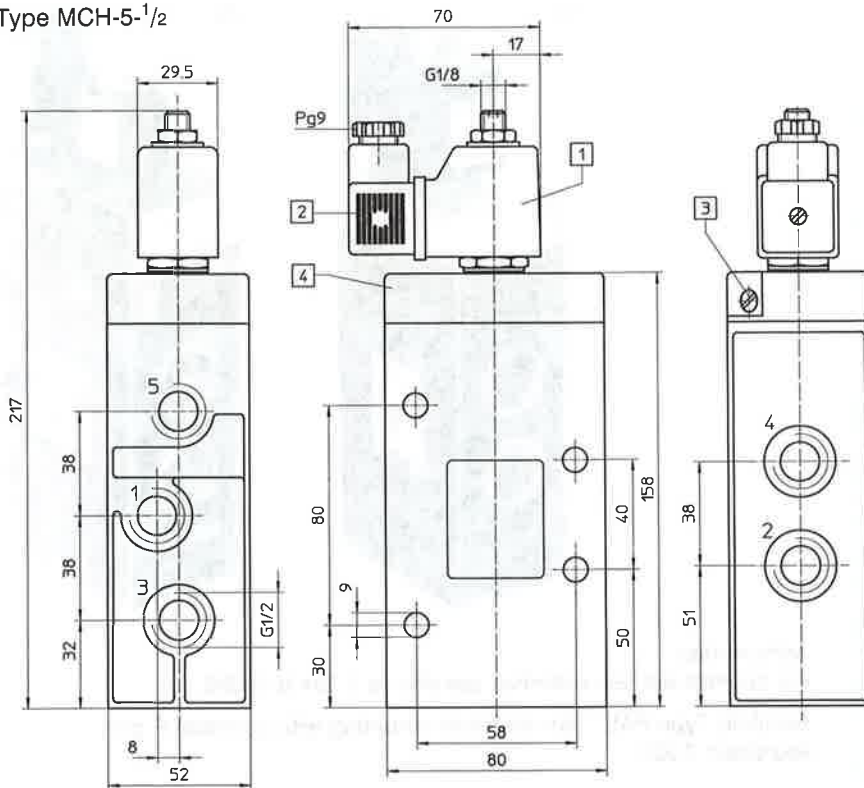
- 1, 11 (P) = Supply port
- 2 (A) = Working or outlet line
- 3, 33 (R) = Exhausts
- 81 (Pz) = Auxiliary pilot air

Order code Part No./Type	with socket	6997 MCH-5-1/2 + voltage data	10 350 MCH-5-1/2-S + voltage data	6420 MFH-3-1/2 + voltage data
	without socket	<i>Example: 6997 MCH-5-1/2 + voltage data – OD</i>		
Medium		Compressed air, filtered (lubricated or unlubricated)		
Design		Poppet valve, indirectly actuated in one direction, with spring return		
Mounting		Through-holes in housing		
Connection		G 1/2	G 1/2	G 1/2; 91: G 1/8
Nominal size		14 mm		
Standard nominal flow rate (1 → 4)		3700 l/min		
Operating pressure range		2 to 10 bar	2 to 8 bar	0 to 8 bar
Pilot pressure range		–	–	1.5 to 8 bar (diagram)
Response time at 6 bar		On: 16 ms, off: 70 ms	On: 25 ms, off: 140 ms	On: 21 ms, off: 21 ms
Ambient temperature		–5 to +40 °C		
Medium temperature		–10 to +60 °C		
Materials		Housing: die-cast aluminium, hard anodized; seals: Perbunan		
Weight		1.280 kg	1.135 kg	
DC	Standard voltages	12, 24 V	} *	12, 24 V
	Special voltages	12 to 240 V		12 to 220 V
AC	Standard voltages	24, 42, 110, 220 V/50 Hz	} **	24, 42, 110, 220 V/50 Hz or 50 and 60 Hz
	Special voltages	24 to 380 V/50 or 60 Hz		12 to 240 V/50 or 60 Hz
Power consumption	DC	12 W		4.5 W
	AC	Hold: 22 VA, pull: 30 VA		Hold: 6 VA, pull: 7.5 VA
Duty cycle		100%		
Degree of protection		IP 65 (DIN 40050)		

* Solenoid coils see sheets 2.592, 2.592.1; ** Solenoid coils see sheets 2.591, 2.591.1.

Solenoid actuated valves
5/2-way valves, indirectly actuated, G 1/2

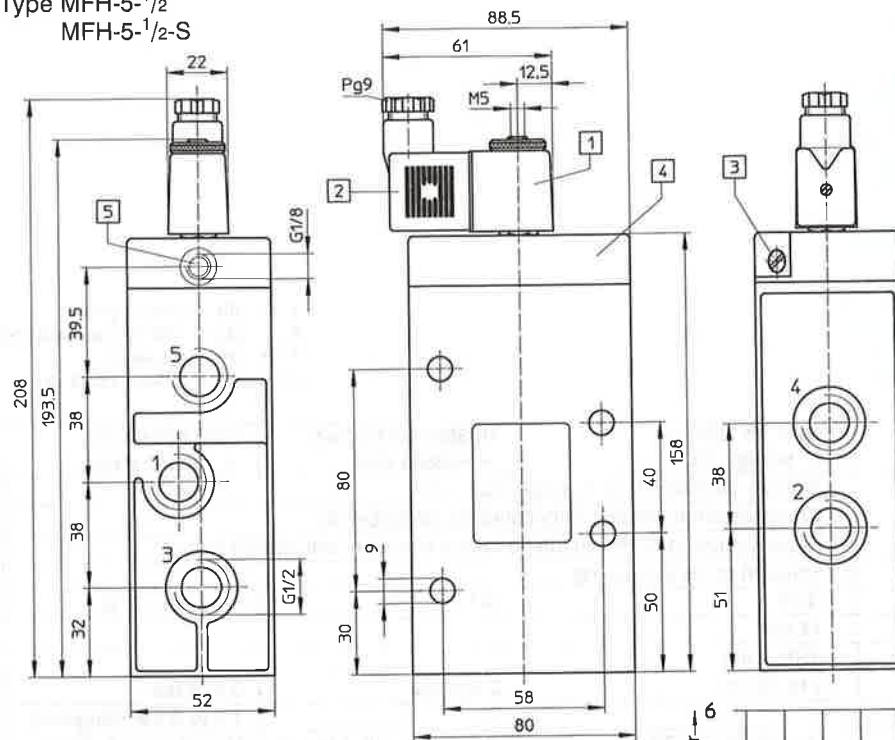
Type MCH-5-1/2



- 1 Solenoid coil can be rotatable
- 2 Plug can be repositioned by 180°
- 3 Manual override
- 4 Cover can be repositioned by 180°
- 5 Additional auxiliary pilot air connection with Type MCH-5-1/2-S

- 1 (P) = Supply port
- 4, 2 (A, B) = Working or outlet lines
- 5, 3 (R, S) = Exhausts
- 91 Pz = Auxilliary pilot port

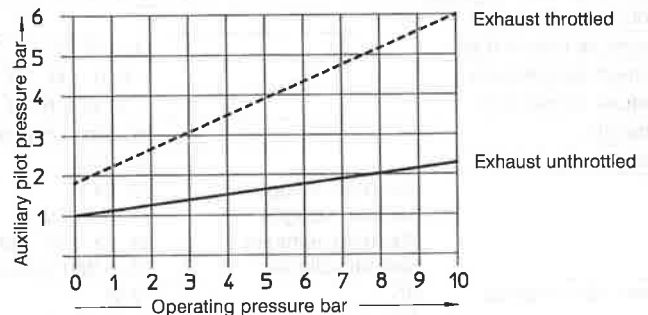
Type MFH-5-1/2
MFH-5-1/2-S



- 1 Solenoid coil can be rotatable
- 2 Plug can be repositioned by 180°
- 3 Manual override
- 4 Cover can be repositioned by 180°
- 5 Additional auxiliary pilot air connection with Type MFH-5-1/2-S

Minimum control pressure as a function of operating pressure, with Type MFH-5-1/2-S.

The separate auxiliary pilot air connection at port P₂ means that this valve can be used for vacuum service.



Wearing parts kit

For Type	MCH-5-1/2
Order code	104 212