

Product data sheet

Specifications

TSX Micro 37 10 PLC configurations



TSX3710164DTK1

! Discontinued on: 31 December 2019

! To be end-of-service on: 31 December 2027

! Discontinued - Service only

Main

Range of product	Modicon TSX Micro automation platform
Product or component type	Modular base controller
Primary voltage	24 V 19.2...30 V DC
Input current	2 mA 60 A
Immunity to microbreaks	10 ms

Complementary

Number of slots	2
Module type	HE10 connector discrete I/O
Discrete input number	32 discrete input(s) at 24 V for DC
Discrete output number	32 for solid state
Integrated connection type	1 serial link Uni-Telway 19.2 kbit/s 1 Modbus Modbus RTU 19.2 kbit/s
Realtime clock	With
Memory description	Internal RAM 14 Kwords data Flash 15 Kwords data
Maximum size of object areas	1 %MWi internal words 256 %Mi 128 %KW _i constant words
Execution time per instruction	0.25 µs Boolean without PCMCIA card 4.81 µs arithmetic REAL floating without PCMCIA card
Execution time for 1 Kinstruction	3.03 100 % Boolean without PCMCIA card 0.25 65 % Boolean and 35 % numerical without PCMCIA card
Application structure	1 master task 8 event tasks 1 fast task
System overhead	1.9 ms for master task
Protection type	Overload protection Short-circuit
Total useful secondary power	16 W
Electromagnetic compatibility	Electrostatic discharge conforming to IEC 1000-4-2 level 3 Electromagnetic field immunity test conforming to IEC 1000-4-3 level 3 Resistance to fast transient conforming to IEC 1000-4-4 level 3 Immunity to impulse waves conforming to IEC 1000-4-5 Damped oscillatory wave conforming to IEC 1000-4-12 Immunity to electromagnetic interference conforming to IEC 61131-2

Environment

Ambient air temperature for operation	0...60 °C
Ambient air temperature for storage	-25...70 °C
Relative humidity	10...95 % without condensation for operation 5...95 % without condensation for operation
Operating altitude	0...2000 m
Width	282.7 mm
Height	151 mm
Depth	152 mm
Net weight	1.82 kg

Packing Units

Unit Type of Package 1	PCE
Number of Units in Package 1	1
Package 1 Height	16.0 cm
Package 1 Width	16.0 cm
Package 1 Length	18.5 cm
Package 1 Weight	1.792 kg
Unit Type of Package 2	S04
Number of Units in Package 2	6
Package 2 Height	30.0 cm
Package 2 Width	40.0 cm
Package 2 Length	60.0 cm
Package 2 Weight	10.752 kg

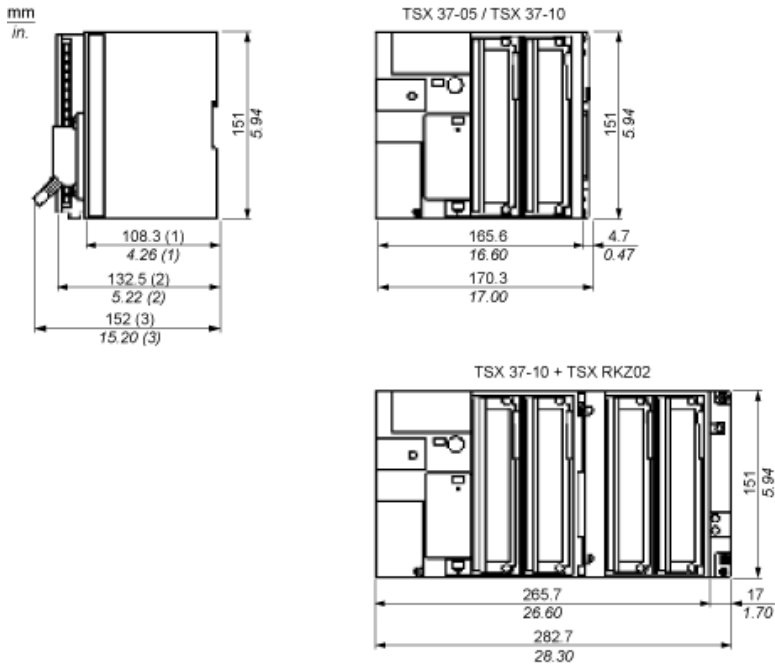
Offer Sustainability

EU RoHS Directive	Not applicable, out of EU RoHS legal scope
China RoHS Regulation	China RoHS declaration
WEEE	The product must be disposed on European Union markets following specific waste collection and never end up in rubbish bins
California proposition 65	WARNING: This product can expose you to chemicals including: Lead and lead compounds which is known to the State of California to cause Carcinogen & Reproductive harm. For more information go to www.p65warnings.ca.gov

Contractual warranty

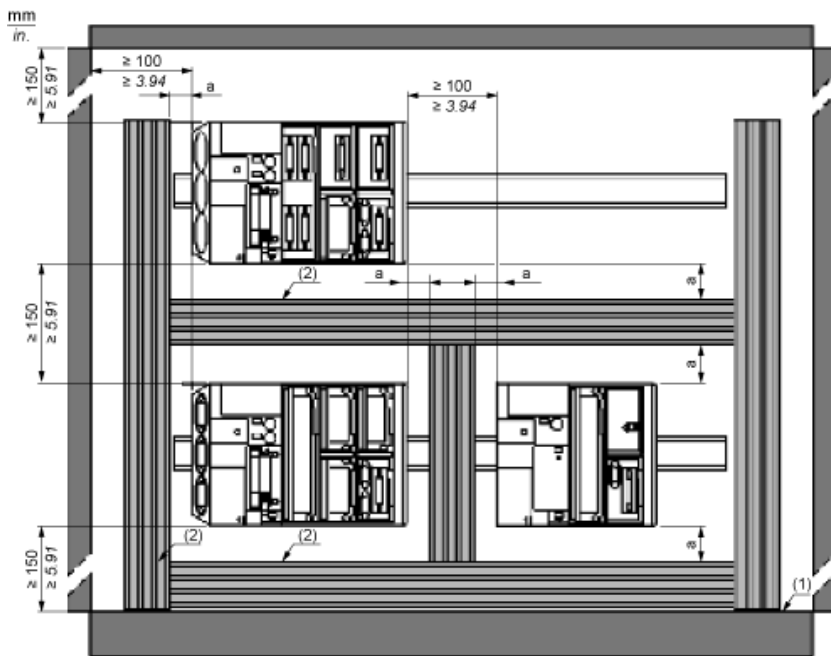
Warranty	18 months
----------	-----------

Dimensions



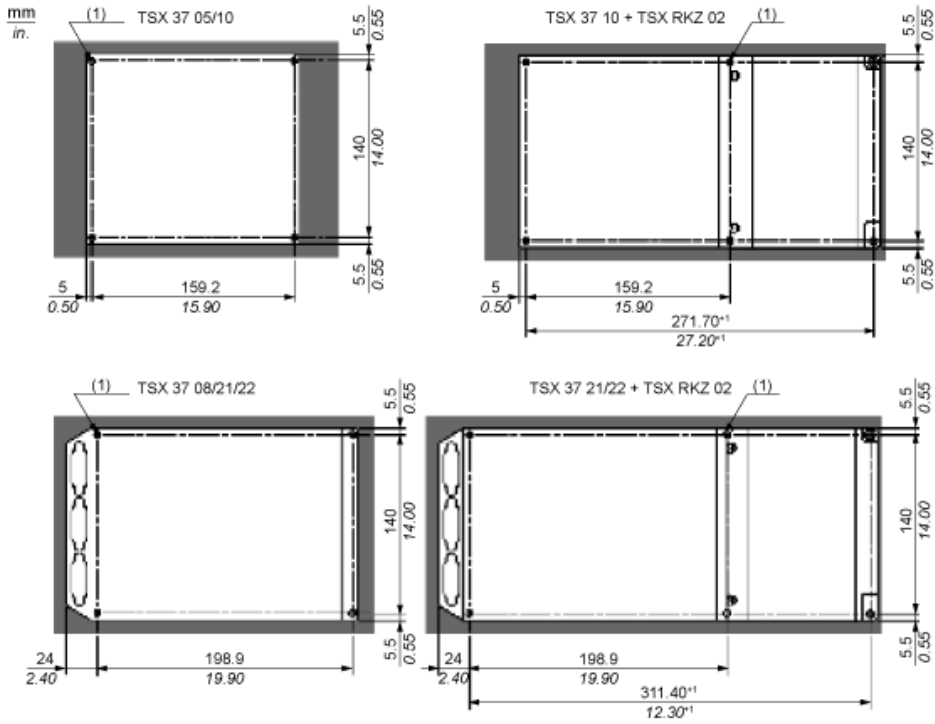
- (1) PLC empty.
- (2) With screw terminal block.
- (3) With HE10 or SubD connector.

Spacing Requirements



- a 50 mm/1.97 in. minimum
- (1) Installation or casing
- (2) Trough or cable tray

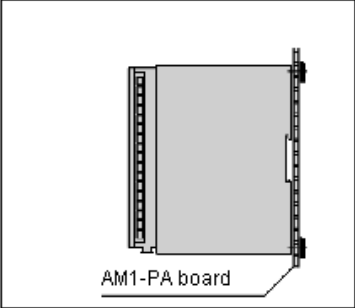
Panel/Board Mounting



(1) The diameter of the fixing holes must be sufficient to take M4 screws.

Telequick Board Mounting

Side View



Use 4 screws with M4x16AF1-VA416 captive washers and 4 M4 AF1-EA4 clip nuts.

Recommended replacement(s)