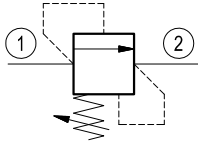
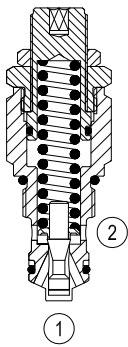


Relief, direct acting guided poppet type

Special cavity, Size 019-E

VMD1.025

OT.M1.02 - X - 99 - Z



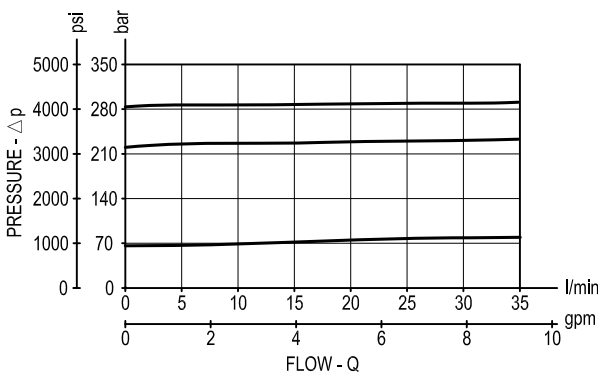
Description

Flow is blocked from 1 to 2 until pressure increases to meet the selected valve setting, lifting the poppet from its seat and allowing relief flow through port 2 to tank. Pressure at port 2 is additive to the relief setting of the valve. The unique Bosch Rexroth Oil Control poppet design provides enhanced stability at all flows and pressures.

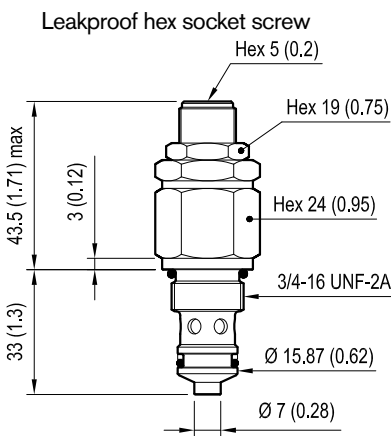
Technical data

Max pressure	bar (psi)	350 (5000)
Max flow	l/min (gpm)	35 (9)
Installation torque	Nm (ft-lb)	40-45 (30-33)
Special Cavity		019-E
Weight	kg (lbs)	0.13 (0.29)
Fluid temperature range	°C (°F)	between -30 (-22) and +100 (+212)

Performance



Dimensions



Ordering code

OT.M1.02 X 99 Z

Relief, direct acting guided poppet type

Adjustments

= 03 Leakproof hex. socket screw

Special cavity Size 019-E

SPRINGS

	Adj. press. range bar (psi)	Press. increase bar/turn (psi/turn)	Std. setting press. bar (psi) (Q=5 l/min)
= 10	25-120 (350-1750)	16.5 (239)	100 (1450)
= 20	40-200 (580-2900)	26.5 (384)	180 (2600)
= 35	200-350 (2900-5000)	51 (740)	350 (5000)

mm(Inches)

Type	Material number
OTM102039910000	
OTM102039920000	R901091925
OTM102039935000	R901091920

Type	Material number