




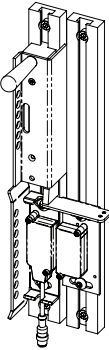
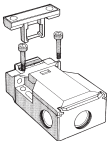
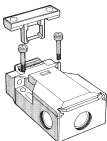


## Component List - Sensors and Switches

Designation	Ordering Information	Description
DA 2 (continued) 	2TLJ020053R4200	Safety screw (SM4 x 20) for mounting Adam and Eva.
	2TLJ020053R4300	Safety screw (SM4 x 25) for mounting of Adam E and Eva E.
	2TLJ020053R5000	Safety screwdriver bit SBITS
	2TLJ020053R6200	4 Safety screws (SM4 x 20mm) + 1 screwdriver bit
	2TLJ020053R6300	4 Safety screws (SM4 x 25mm) + 1 screwdriver bit
JSNA-SafeSlide™ 	2TLA850003R0800	Eden lockout assembly for safe lockout at the door. Provisions for up to 6 locks that fastens the metal plate between the Eden pair. Adjustable for either right side or left side opening doors.
JSNA-SafeSlide™ Sliding Doors	2TLA850103R0500	Eden lockout assembly for safe lockout at the door. Provisions for up to 6 locks that fastens the metal plate between the Eden pair. Designed for Quickguard sliding doors.

## Component List - Mechanical Switches

Designation	Ordering Information	Description
JSNY5A 	2TLJ020022R0000	Safety interlock switch with 2 NC positive opening & 1 NO contacts, 6A rated operational current, 10N actuator retention force, IP65, plastic body, two M20 conduit entries, comes with steel actuator.
JSNY5B 	2TLJ020022R0100	Safety interlock switch with 2 NC positive opening & 1 NO contacts, 6A rated operational current, 30N actuator retention force, IP65, plastic body, two M20 conduit entries, comes with steel actuator.