

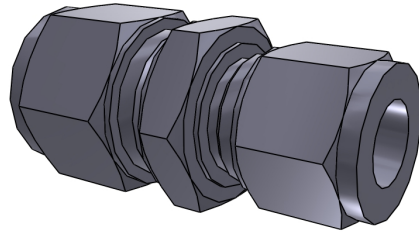


ENGINEERING YOUR SUCCESS.

Parker Hannifin Corporation
Instrumentation Products Division
1005 A Cleaner Way
Huntsville, AL 35805, USA
Phone: +1 (256) 881-2040
Fax: +1 (256) 881-5072

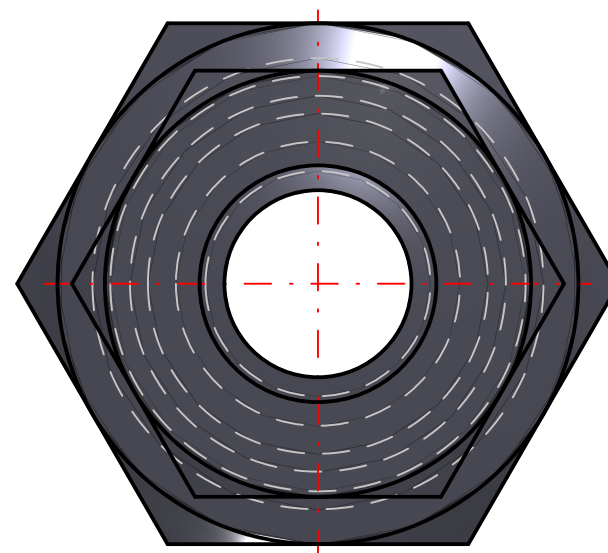
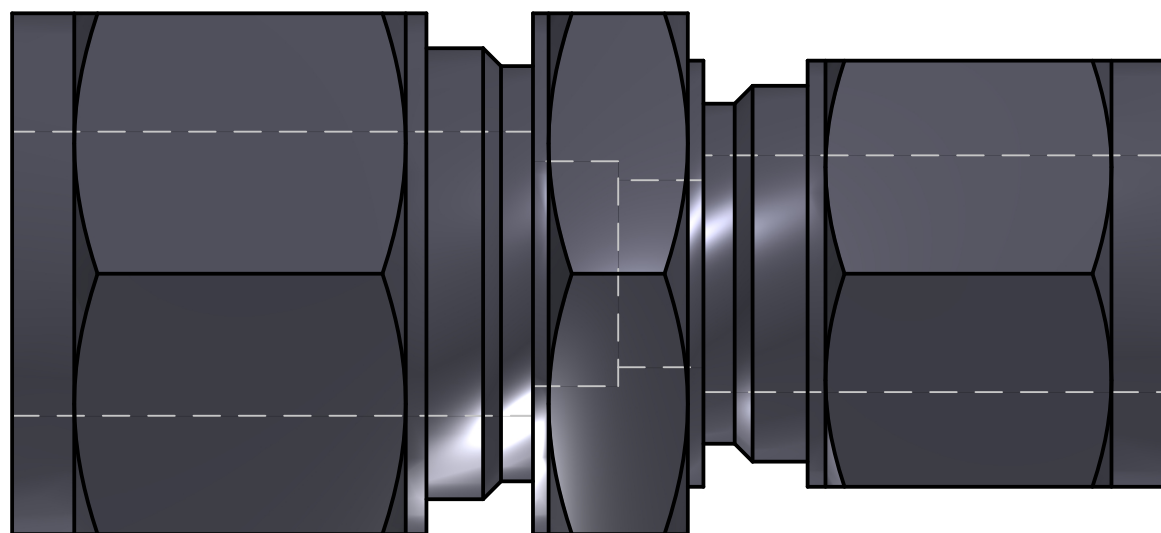
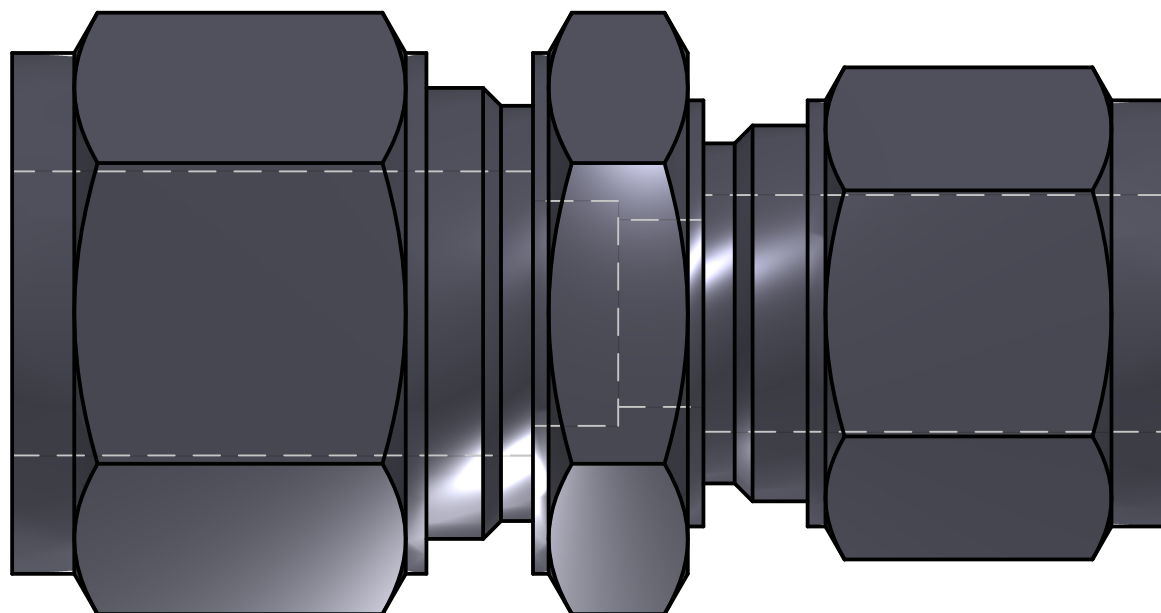
PARKER Instrumentation Products Division
Parker Tube Fitting, Reducing Union - A-LOK Series

PART Number: M12RUM10-316



*Interactive 3D graphic, click to activate and rotate
(3D capable PDF viewer required)*

Technical Data	
Part Number	M12RUM10-316
Series Name	Parker Tube Fitting, Reducing Union - A-LOK Series
Series Code	A-LOK Reducing Union
Division ID	687516
Division Name	Instrumentation Products Division
Company	Parker Hannifin



Disclaimer:

Parker Instrumentation Products has a continuous policy of product development and although the Company reserves the right to change specifications, it attempts to keep customers informed of any alterations. This publication is for general information only and customers are requested to contact our Sales Department for detailed information and advice on a products suitability for specific applications. All products are sold subject to the company's Standard conditions of sale.

M12RUM10-316



Price: contact Parker