

# F64B, F64L, FFB64

## Olympian Plus plug-in system

### Ultra high efficiency coalescing filter



- > Port size: 1/4" ... 3/4" (ISO G/PTF)
- > F64B/F64L are 'triple function' products incorporating a pre-filter element, an oil removal element (bottom) and an oil vapour removal element (top)
- > Ultra high efficiency coalescing filters with active carbon
- > Very compact footprint due to three in one design
- > Air purity class in accordance with ISO8573-1:2010: 1:7:0\*
  - \*Tested in accordance with the methods laid out in ISO 12500-1 using an inlet oil aerosol concentration of 4mg/m<sup>3</sup>

**Remark:**  
These units do not remove carbon monoxide, carbon dioxide or other toxic gases or vapors.



#### Technical features

##### Medium:

Compressed air only

##### Function:

Stage 1: Pre-filter 40 µm  
Stage 2: Coalescing filter 0,01 µm  
Stage 3: Carbon element

##### Maximum operating pressure:

17 bar (246 psi)

##### Remaining oil content:

0,003 mg/m<sup>3</sup> max at +21°C (+70°F)

##### Port sizes:

1/4", 3/8", 1/2" or 3/4"

##### Maximum flow at 6,3 bar (90 psi) inlet pressure:

F64B: 15,6 dm<sup>3</sup>/s (33 scfm)  
F64L: 16,3 dm<sup>3</sup>/s (34.5 scfm)  
To maintain stated oil removal performance

##### Drain:

Automatic

##### Automatic drain conditions:

Pressure to close drain:  
> 0,3 bar (4.3 psi)  
Pressure to open drain:  
< 0,2 bar (2.9 psi)  
Minimum air flow to close drain: 0,6 dm<sup>3</sup>/s (1.3 scfm)

##### Ambient/Media temperature:

-20° ... +65°C (-4° ... +149°)  
Air supply must be dry enough to avoid ice formation at temperatures below +2°C (+35°F).


##### Note:

Install an F64G filter with a 5 µm filter element upstream of the F64B/L filter for maximum service life.

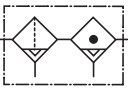
##### Materials:

Body and yoke: Zinc alloy  
Connection piece: Aluminium  
Metal bowl: Aluminium  
Pre filter element : Sinter bronze  
Main filter element & activated carbon pack: Composite materials  
Elastomers: NBR

#### Technical data, standard models

Symbol	Port size	Size	Drain	Weight (kg)	Model
	G1/4	—	Automatic	1,83	F64B-2GN-ARO
	G3/8	—	Automatic	2,21	F64L-3GN-ARO
	G1/2	Basic	Automatic	2,50	F64L-4GN-ARO
	G3/4	—	Automatic	2,88	F64L-6GN-ARO
	Without yoke	—	Automatic	1,59	F64B-NNN-ARO
	Without yoke	—	Automatic	1,59	F64L-NNN-ARO

#### Technical data F64B/L models with additional standard pre-filter F64G

Symbol	Port size	Size	Pre-filter element	Main filter	Drain	Weight (kg)	Model
	G1/4	—	F64G	F64B	Automatic	3,20	FFB64-208
	G3/8	—	F64G	F64L	Automatic	3,57	FFB64-308
	G1/2	Basic	F64G	F64L	Automatic	3,60	FFB64-408
	G3/4	—	F64G	F64L	Automatic	3,98	FFB64-608

### Option selector

**F64★-★★N-★R0**

Size	Substitute
1/4"	B
3/8" ... 3/4"	L
Port size	Substitute
1/4"	2
3/8"	3
1/2"	4
3/4"	6
No yoke	N

Drain	Substitute
Manual	M
Automatic (standard)	A
Thread	Substitute
PTF	A
ISO G parallel (standard)	G

### Typical performance characteristics

Inlet pressure (bar)	Maximum flow (dm <sup>3</sup> /s) *	
	F64B	F64L
1	6,7	7,1
3	10,7	11,3
5	13,8	14,4
6,3	15,6	16,3
7	16,5	17,2
9	18,8	19,5

\* Maximum flow to maintain stated oil removal performance.

### Accessories

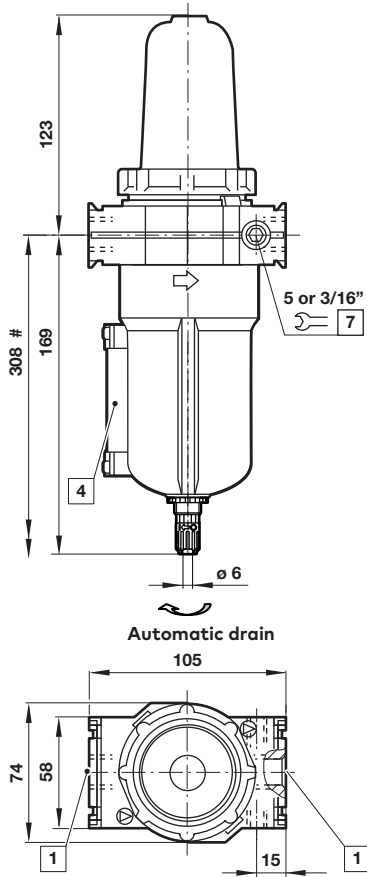
	Models Single yoke	Double yoke	3/2 Shut-off valve Threaded inlet only	Threaded outlet only	End connector kit	Rear entry bracket kit
<b>Thread</b>						<b>8</b>
G1/4	Y64A-2GA-N1N	Y64A-2GA-N2N	T64T-2GB-P1N	T64T-2GC-P1N	—	—
G3/8	Y64A-3GA-N1N	Y64A-3GA-N2N	T64T-3GB-P1N	T64T-3GC-P1N	—	—
G1/2	Y64A-4GA-N1N	Y64A-4GA-N2N	T64T-4GB-P1N	T64T-4GC-P1N	74505-50	—
G3/4	Y64A-6GA-N1N*	Y64A-6GA-N2N*	T64T-6GB-P1N	T64T-6GC-P1N	74505-53	18-026-981
1/4 PTF	Y64A-2AA-N1N	Y64A-2AA-N2N	T64T-2AB-P1N	T64T-2AC-P1N	—	—
3/8 PTF	Y64A-3AA-N1N	Y64A-3AA-N2N	T64T-3AB-P1N	T64T-3AC-P1N	—	—
1/2 PTF	Y64A-4AA-N1N	Y64A-4AA-N2N	T64T-4AB-P1N	T64T-4AC-P1N	74505-52	—
3/4 PTF	Y64A-6AA-N1N*	Y64A-6AA-N2N*	T64T-6AB-P1N	T64T-6AC-P1N	74505-55	—

\*These yokes are supplied with two end connector kits as standard

Bracket mounting	Nut	Yoke connector kit	Porting block	Padlock with two keys
<b>1</b>	<b>4</b>	<b>9</b>		
74504-50	74502-89	74503-51	74507-50	0613633 (brass)

### Service kit

Service kit F64B	Service kit F64L
	
F64B-KITA0V	F64L-KITA0V

**Basic dimensions**
**F64B**


Automatic drain

105

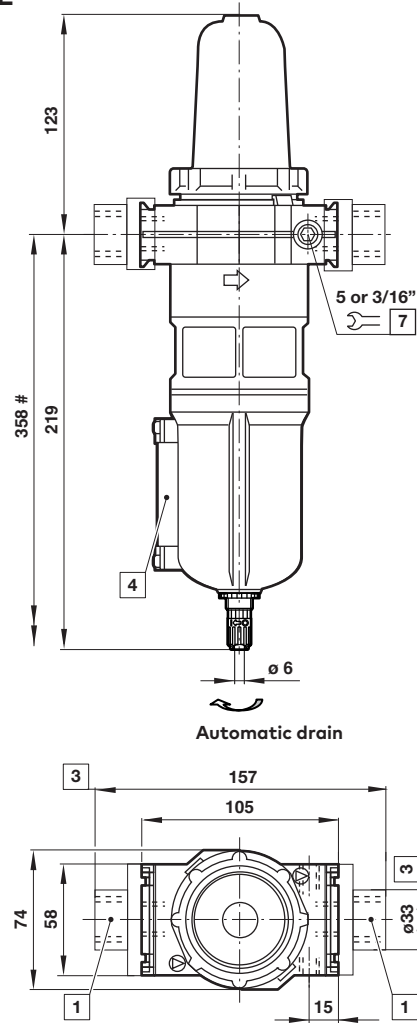
# Minimum clearance required to remove bowl

1 Main ports 1/4", 3/8", 1/2" or 3/4"

3 For main ports 3/4" only

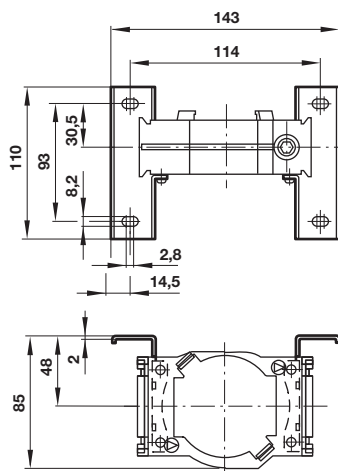
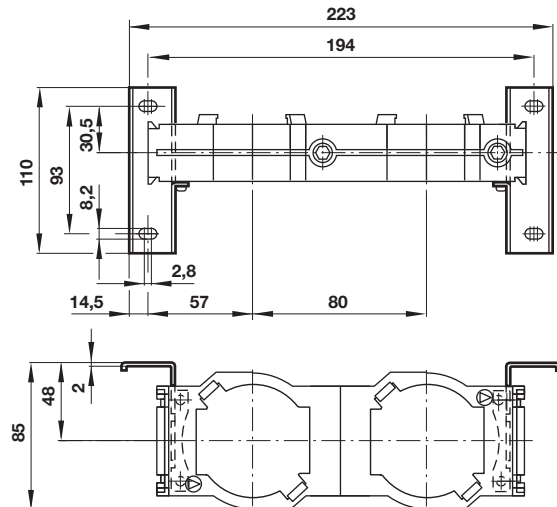
4 Sight glass

7 Gauge port 1/8"

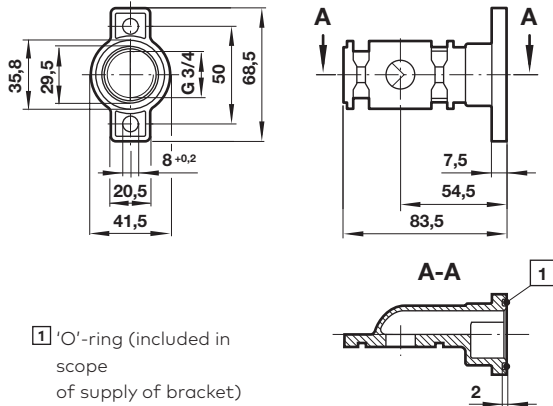
**F64L**


Automatic drain

 Dimensions in mm  
 Projection/First angle

**Single yoke with bracket mounting**

**Double yoke with bracket mounting**


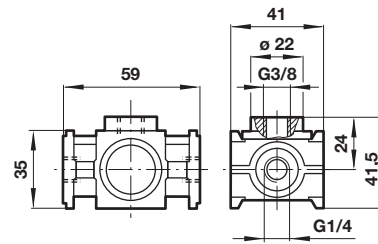
### Rear entry bracket 18-026-981



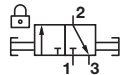
1 'O'-ring (included in scope of supply of bracket)

### Porting block 74507-50

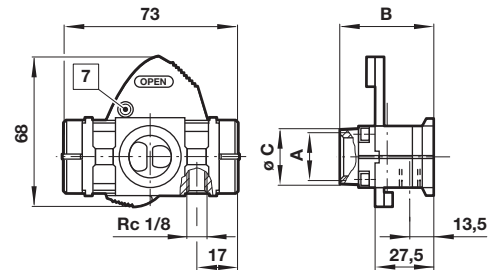
Dimensions in mm  
Projection/First angle



### 3/2 Shut-off valve

Symbol	A	B	ø C	Model
	G1/4	48	27	T64T-2G*-P1N
	G3/8	48	27	T64T-3G*-P1N
	G1/2	48	27	T64T-4G*-P1N
	G3/4	51	33	T64T-6G*-P1N

\* B = Threaded inlet only, C = Threaded outlet only



7 Padlock hole ø7,5 mm

### Warning

These products are intended for use in industrial compressed air systems only. Do not use these products where pressures and temperatures can exceed those listed under »**Technical features/data**«.

Before using these products with fluids other than those specified, for non-industrial applications, life-support systems or other applications not within published specifications, consult Norgren Ltd.

Through misuse, age, or malfunction, components used in fluid power systems can fail in various modes.

The system designer is warned to consider the failure modes of all component parts used in fluid power systems and to provide adequate safeguards to prevent personal injury or damage to equipment in the event of such failure.

System designers must provide a warning to end users in the system instructional manual if protection against a failure mode cannot be adequately provided.

System designers and end users are cautioned to review specific warnings found in instruction sheets packed and shipped with these products.