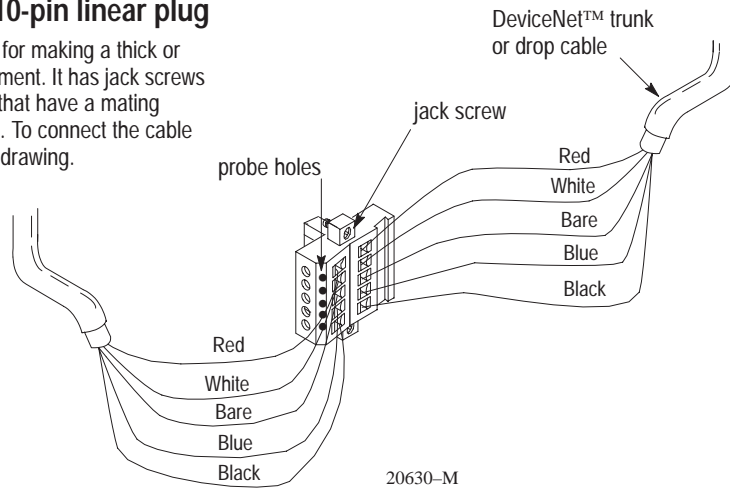


Installation Instructions

1787-PLUG10R/A 10-pin linear plug

Use the 10-pin linear plug for making a thick or thin cable daisy-chain segment. It has jack screws you can use with devices that have a mating header with screw flanges. To connect the cable wires to the plug, use this drawing.



Rockwell Automation
Allen-Bradley

Publication 1787-5.4 — December 1995

DeviceNet is a trademark of the Open DeviceNet Vendor Association

PN955124-17

Copyright 1995 Allen-Bradley Company, Inc. Printed in USA