



CLV410-1010

CLV41x

FIXED MOUNT BARCODE SCANNERS

SICK
Sensor Intelligence.



Ordering information

Type	Part no.
CLV410-1010	1015427

Other models and accessories → www.sick.com/CLV41x



Detailed technical data

Features

Task	Identifying - 1D code
Version	Mid Range
Connection type	Standard
Reading field	Front
Scanner design	Raster scanner
Optical focus	Fixed focus
Light source	Visible red light (laser, 670 nm)
Laser class	2 (DIN EN 60825-1)
Aperture angle	≤ 60°
Reading distance	50 mm ... 380 mm ¹⁾
Scanning frequency	200 Hz ... 800 Hz
Code resolution	0.2 mm ... 1 mm
Raster height, number of lines, at distance	15 mm, 8, 200 mm

¹⁾ For details see reading field diagram.

Mechanics/electronics

Connection type	1 x 15-pin D-Sub HD male connector (0.9 m)
Supply voltage	5 V DC ... 30 V DC ¹⁾
Power consumption	3 W
Housing	Die-cast zinc, does not contain paint wetting impairment substances
Housing color	Light blue (RAL 5012)
Enclosure rating	IP65 (DIN 40 050)
Protection class	III (IEC 1010-1)
Weight	250 g, with connecting cable
Dimensions (L x W x H)	59 mm x 62.7 mm x 35.2 mm
MTBF	20,000 h

¹⁾ UL-certified when a Class 2 power supply unit is used (tested according to UL 1310).

Performance

Bar code types	All current code types, Code 39, Code 128, Code 93, Codabar, GS1-128 / EAN 128, UPC / GTIN / EAN, Interleaved 2 of 5, Pharmacode
Print ratio	2:1 ... 3:1
No. of codes per scan	1 ... 3
No. of codes per reading interval	1 ... 10
No. of characters per reading interval	100
No. of multiple readings	1 ... 99

Interfaces

Digital inputs	2 ("Sensor 1", "Sensor 2")
Digital outputs	3 ("Result 1", "Result 2", "Result 3")
Reading pulse	Reflector polling, Switching input "Sensor 1", non-powered, serial interface
Optical indicators	4 LEDs (function indicator)
Acoustic indicators	Beeper/buzzer (can be switched off, can be allocated as a result indication function)

Ambient data

Electromagnetic compatibility (EMC)	EN 61000-6-3 / EN 61000-6-2
Vibration resistance	IEC 68-2-6 Test FC
Shock resistance	IEC 68-2-27 Test EA
Ambient operating temperature	0 °C ... +40 °C
Storage temperature	-20 °C ... +70 °C
Permissible relative humidity	± 90 %, Non-condensing
Ambient light immunity	2,000 lx, on barcode
Bar code print contrast (PCS)	≥ 60 %

General notes

Life cycle phase	Discontinued
-------------------------	--------------

Classifications

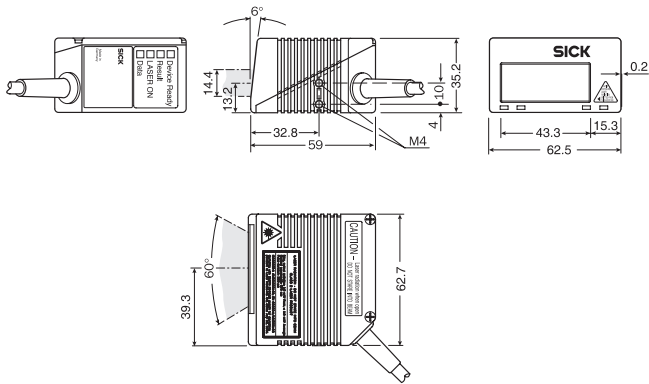
ECLASS 5.0	27280102
ECLASS 5.1.4	27280102
ECLASS 6.0	27280102
ECLASS 6.2	27280102
ECLASS 7.0	27280102
ECLASS 8.0	27280102
ECLASS 8.1	27280102
ECLASS 9.0	27280102
ECLASS 10.0	27280102
ECLASS 11.0	27280102
ECLASS 12.0	27280102
ETIM 5.0	EC002550
ETIM 6.0	EC002550
ETIM 7.0	EC002550
ETIM 8.0	EC002550

UNSPSC 16.0901

43211701

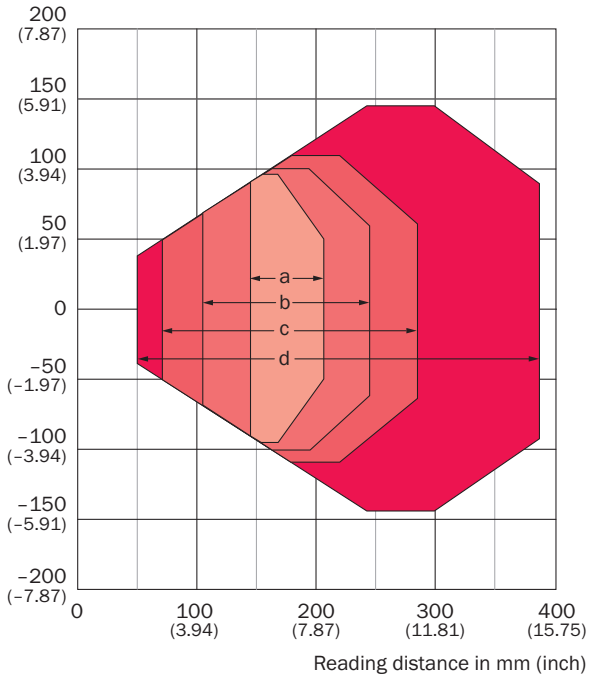
Dimensional drawing (Dimensions in mm (inch))

CLV41x/42x front



Reading field diagram

Reading field height in mm (inch)






Resolution

- a: 0.20 mm (7.9 mil)
- b: 0.35 mm (13.8 mil)
- c: 0.50 mm (19.7 mil)
- d: 1.00 mm (39.4 mil)

Recommended accessories

Other models and accessories → www.sick.com/CLV41x

	Brief description	Type	Part no.
Mounting brackets and plates			
	Mounting bracket, small, mounting hardware included	Mounting bracket	2020077
Modules			
	<ul style="list-style-type: none"> • Sub product family: CDB410 • Supported products: CLV41x • Brief description: Small connection module for one CLV41x 	CDB410-001	1023813
	<ul style="list-style-type: none"> • Sub product family: CDM410 • Supported products: CLV41x • Brief description: Modular connection module for one CLV41x 	CDM410-0001	1025361

Recommended services

Additional services → www.sick.com/CLV41x

	Type	Part no.
Performance check		
<ul style="list-style-type: none"> • Product area: Fixed mount barcode scanners • Range of services: Inspection of defined functions, e.g., reading performance • Duration: Additional work will be invoiced separately 	Performance check CLV	1682028
Maintenance		
<ul style="list-style-type: none"> • Product area: Fixed mount barcode scanners • Range of services: Inspection, analysis and restoring of defined functions, Inspection and adjustment of reading configuration, code configuration, data processing and network or interfaces • Duration: Additional work will be invoiced separately 	Maintenance CLV	1611420

SICK AT A GLANCE

SICK is one of the leading manufacturers of intelligent sensors and sensor solutions for industrial applications. A unique range of products and services creates the perfect basis for controlling processes securely and efficiently, protecting individuals from accidents and preventing damage to the environment.

We have extensive experience in a wide range of industries and understand their processes and requirements. With intelligent sensors, we can deliver exactly what our customers need. In application centers in Europe, Asia and North America, system solutions are tested and optimized in accordance with customer specifications. All this makes us a reliable supplier and development partner.

Comprehensive services complete our offering: SICK LifeTime Services provide support throughout the machine life cycle and ensure safety and productivity.

For us, that is “Sensor Intelligence.”

WORLDWIDE PRESENCE:

Contacts and other locations –www.sick.com