

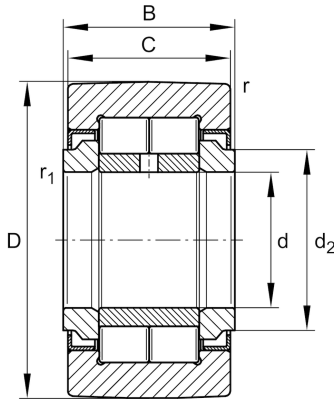
NUTR1542

Yoke type track roller

Schaeffler ID:
0095959700000

Yoke type track rollers NUTR, full complement cylindrical roller set, with axial guidance, labyrinth seals on both sides

Technical information



Main Dimensions & Performance Data

d	15 mm	Bore diameter
D	42 mm	Outside diameter
B	19 mm	Width of the bearing
$C_{r w}$	18.700 N	Basic dynamic load rating, radial
$C_{0r w}$	24.200 N	Basic static load rating, radial
$C_{ur w}$	3.200 N	Fatigue load limit, radial
n_{DG}	6.500 1/min	Speed on permanent grease lubrication
$F_{0r per}$	24.200 N	Permissible static load, radial
$F_{r per}$	24.200 N	Permissible dynamic load outer ring, radial
	0,159 kg	{Weight}

Dimensions

C	18 mm	Width, outer ring
d_2	20 mm	Stop diameter of thrust washer
r_{min}	0,6 mm	Minimum chamfer dimension
$r_{1 min}$	0,3 mm	Minimum chamfer dimension