

CUBE67 I/O EXTENSION MODULE

8 multifunction channels

Expansion module

DIO8 - 0.5 A (E) M16

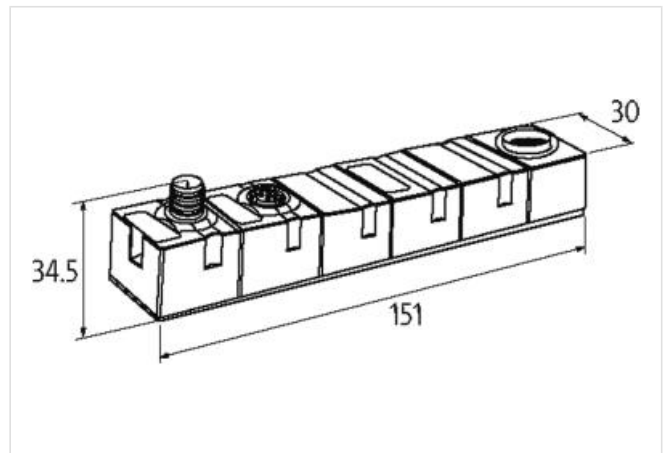
Digital inputs/outputs (multifunctional)

Connection cables are in the online shop under "Connection Technology".

Housing fully potted.

Link to Product

Illustration



Product may differ from Image



Commercial data

ECLASS-6.0	27242604
ECLASS-6.1	27242604
ECLASS-7.0	27242604
ECLASS-8.0	27242604
ECLASS-9.0	27242604
ECLASS-10.1	27242604
ECLASS-11.1	27242604
ECLASS-12.0	27242604
ETIM-5.0	EC001599
customs tariff number	85389099
GTIN	4048879048323
Packaging unit	1

Electrical data | Supply

Norm operating voltage	EN 61131-2
Operating voltage US DC	24 V
Operating voltage UA DC	24 V
Current consumption max.	30 mA
Total current UA max.	4 A
Total current US max.	4 A

Electrical data Input	
Type input	PNP, for 3-wire sensors or mechanical switches
Input filter time	1 ms
Current carrying capacity max.	0,2 A
Electrical data Output	
Overload resistant	yes
Short-circuit protected	yes
Output current per pin max.	0,5 A
Industrial communication	
Parameterization I/O channels	Diagnoseeingang, Input, Output
Diagnostics	
Actuator warning	per channel via BUS
Diagnostic	No voltage, Under voltage
Diagnostic via BUS	per module and channel
Diagnostic via LED	per module
Short circuit diagnosis	yes
LED display	Ethernet connection/data traffic
Overload diagnosis	yes
Device protection Electrical	
Degree of protection (EN IEC 60529)	IP67
Mechanical data Mounting data	
Suitable for mounting type	2-hole screw mounting
Height	150 mm
Width	30 mm
Depth	34,5 mm
Environmental characteristics Climatic	
Operating temperature min.	0 °C
Operating temperature max.	55 °C
Storage temperature min.	-20 °C
Storage temperature max.	75 °C
Connection type 2	
Connection type 1	Bus Out
Connection type 2	noname
Family construction form	M12
Gender	male
Color contact carrier	black
Coding	A
No. of poles	6
PIN 1	24 V DC (UA)
PIN 2	24 V DC (US)
PIN 3	0 V
PIN 4	Bus internal
PIN 5	Bus internal
PIN 6	0 V
Family construction form	M16
Gender	male
Coding	A
No. of poles	12
PIN A	24 V DC
PIN E	I / O 6
PIN G	I / O 4

PIN J	I / O 1
PIN L	0 V
PIN M	24 V DC
PIN O	I / O 7
PIN P	I / O 0
PIN R	I / O 5
PIN S	I / O 3
PIN T	I / O 2
PIN U	0 V