

## Cordsets & Field Attachables

Bulletin Numbers 879D, 879P, 888B, 888D, 888H, 888M, 888N, 888P, 888R, 889, 889B, 889D, 889M, 889N, 889P, 889R, 898P, 898R, 889S, 889V

Topic	Page
Summary of Changes	1
Mini Style	2
Mini-plus Style	25
DC Micro Style	34
AC Micro Style	77
EAC Micro Style	97
Pico Style	101
Patchcords	114
V-cables	117
Splitters, Pico Style Pico to Pico, DC Micro to Pico	119
Receptacles, Pico Style 24 AWG, M8 Mounting Threads	121
Terminal Chambers, Pico Style	123
Field Attachable, Pico Style Insulated Displacement Connector	125
Cordsets & Patchcords, M23 QD Style, 18 or 18/22 AWG, Black or Yellow PVC	127
Receptacles, M23 Style, 18 or 18/22 AWG, M20 Mounting Threads	130
Field Attachable, M23 Style Solder Type	132
DIN Valve	134
Cable Spools	151

### Summary of Changes

This publication contains new and updated information regarding M12 Quick Connect cordsets.

### Additional Resources

These documents contain additional information concerning related products from Rockwell Automation.

Resource	Description
Industrial Automation Wiring and Grounding Guidelines, publication <a href="#">1770-4.1</a>	Provides general guidelines for installing a Rockwell Automation industrial system.
Product Certifications website, <a href="http://www.rockwellautomation.com/global/certification/overview.page">http://www.rockwellautomation.com/global/certification/overview.page</a>	Provides declarations of conformity, certificates, and other certification details.

You can view or download publications at <http://www.rockwellautomation.com/global/literature-library/overview.page>. To order paper copies of technical documentation, contact your local Allen-Bradley distributor or Rockwell Automation sales representative.

## Mini Style 16 AWG, ST00W PVC



4-pin Straight Mini Cordset

### Specifications

Attribute	Value
Certifications	UL Recognized and CSA Certified
<b>Mechanical</b>	
Coupling nut material	Epoxy-coated zinc
Housing material	Molded oil-resistant TPE
Contact material	Gold-plated palladium/nickel
Cable type	Oil-resistant yellow PVC jacket, 16 AWG stranded copper, 600V; UL Recognized and CSA Certified, ST00W-A
Bend radius	10x diameter
Cable diameter	2/c = 10 (0.40) [mm (in.)] 3/c = 10 (0.40) 4/c = 11 (0.43) 5/c = 13 (0.51) 6/c = 14 (0.55)
<b>Electrical</b>	
Cable rating	UL ST00W VW-1 105C 600V, CSA ST 105C 600V FT2, UV oil and water resistant
Assembly rating	2-pin = 600V, 13 A 3-pin = 600V, 13 A 4-pin = 600V, 10 A 5-pin = 600V, 8 A 6-pin = 600V, 8 A
<b>Environmental</b>	
Enclosure type rating	NEMA 4, 6P, 12, 13; IP67; 1200 psi washdown, IP69K
Temperature rating	-20...+105 °C (-4...+221 °F)

### Mating Components & Accessories

Description	Cat. No.
Coupling adapters	889A-NADPT

**Cordset Product Selection [mm (in.)]**

No. of Pins	Assembly Rating	Color Code	Cat. No. <sup>(1)</sup>			
			Straight Female	Right Angle Female	Straight Male	Right Angle Male
2-pin	600V, 13 A	A	889N-F2AFC-6F	889N-R2AFC-6F	889N-U2AFC-6F	889N-V2AFC-6F
3-pin		A	889N-F3AFC-6F	889N-R3AFC-6F	889N-U3AFC-6F	889N-V3AFC-6F
4-pin	600V, 10 A	B	889N-F3AFA-6F	889N-R3AFA-6F	889N-U3AFA-6F	889N-V3AFA-6F
		A	889N-F4AFC-6F	889N-R4AFC-6F	889N-U4AFC-6F	889N-V4AFC-6F
5-pin	600V, 8 A	B	889N-F4AFA-6F	889N-R4AFA-6F	889N-U4AFA-6F	889N-V4AFA-6F
		A	889N-F4AF-6F	889N-R4AF-6F	889N-U4AF-6F	889N-V4AF-6F
6-pin	600V, 8 A	A	889N-F5AFC-6F	889N-R5AFC-6F	889N-U5AFC-6F	889N-V5AFC-6F
		B	889N-F5AFA-6F	889N-R5AFA-6F	889N-U5AFA-6F	889N-V5AFA-6F
6-pin	600V, 8 A	C	889N-F5AF-6F	889N-R5AF-6F	889N-U5AF-6F	889N-V5AF-6F
		A	889N-F6AFC-6F	889N-R6AFC-6F	889N-U6AFC-6F	889N-V6AFC-6F
6-pin	600V, 8 A	C	889N-F6AF-6F	889N-R6AF-6F	889N-U6AF-6F	889N-V6AF-6F
		A	889N-F6AF-6F	889N-R6AF-6F	889N-U6AF-6F	889N-V6AF-6F

(1) The 6F at the end of the catalog number is for 6 ft cable length. Replace the 6 with 12 (12 ft), or 20 (20 ft) for other standard cable lengths.

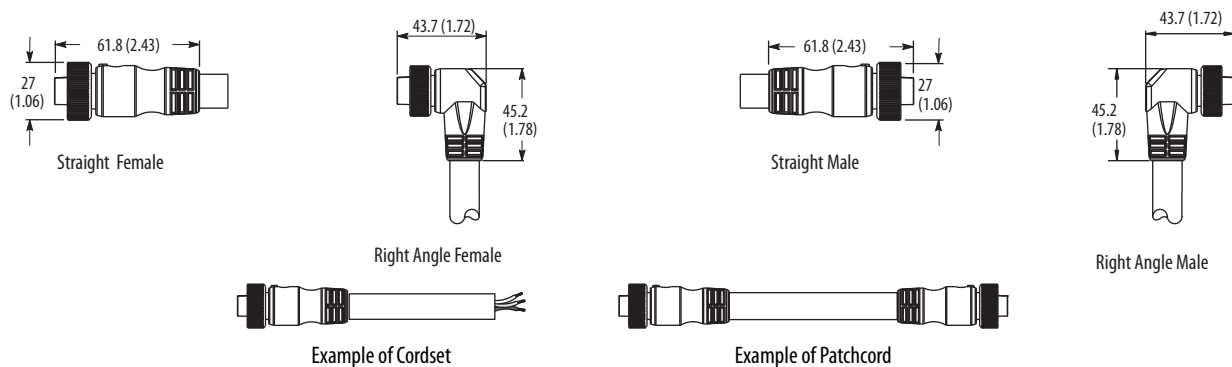
**Patchcord Product Selection [mm (in.)]**

No. of Pins	Assembly Rating	Cat. No. <sup>(1)</sup>			
		Straight Female	Straight Female	Right Angle Female	Right Angle Female
		Straight Male	Right Angle Male	Straight Male	Right Angle Male
2-pin	600V, 13 A	889N-F2AFNU-6F	889N-F2AFNV-6F	889N-R2AFNU-6F	889N-R2AFNV-6F
3-pin	600V, 13 A	889N-F3AFNU-6F	889N-F3AFNV-6F	889N-R3AFNU-6F	889N-R2AFNV-6F
4-pin	600V, 10 A	889N-F4AFNU-6F	889N-F4AFNV-6F	889N-R4AFNU-6F	889N-R2AFNV-6F
5-pin	600V, 8 A	889N-F5AFNU-6F	889N-F5AFNV-6F	889N-R5AFNU-6F	889N-R5AFNV-6F
6-pin	600V, 8 A	889N-F6AFNU-6F	889N-F6AFNV-6F	889N-R6AFNU-6F	889N-R6AFNV-6F

(1) The 6F at the end of the catalog number is for 6 ft cable length. Replace the 6 with 12 (12 ft), or 20 (20 ft) for other standard cable lengths.

**IMPORTANT** Stainless steel connector versions can be ordered by adding an S to the catalog number, for example, 889NS-F3AFC-6F.

**Approximate Dimensions [mm (in.)]**



**Pinout and Color Code**

Color Code	Face View Pinout									
	2-pin		3-pin		4-pin		5-pin		6-pin	
	Female	Male	Female	Male	Female	Male	Female	Male	Female	Male
A (US)	1 White 2 Black	1 Green 2 Black 3 White	1 Black 2 White	3 Red 4 Green	1 White 2 Red 3 Green	4 Orange 5 Black	1 White 2 Red 3 Green	4 Orange 5 Black	1 White 2 Red 3 Green	4 Orange 5 Black 6 Blue
B (Auto)	—	1 Green 2 Red/Black Tr 3 Red/White Tr	1 Red/Black Tr 2 Red/White Tr	3 Red 4 Green	1 Red/White Tr 2 Red 3 Green 4 Red/Yellow Tr 5 Red/Black Tr	—	—	—	—	—
C (IEC)	—	—	1 Black 2 Blue	3 Brown 4 White	1 Black 2 Blue 3 Orange	4 Brown 5 White	1 Blue 2 Orange 3 Red	4 White 5 Brown 6 Black	—	—

## Mini Style 18 AWG, PVC



4-pin Straight Mini Cordset

### Specifications

Attribute	Value
Certifications	UL Recognized and CSA Certified
Coupling nut material	Epoxy-coated zinc
Housing material	Molded oil-resistant TPE
Contact material	Gold-plated palladium/nickel
Cable type	Oil-resistant yellow PVC jacket, 18 AWG stranded copper, 300V; UL Recognized and CSA Certified
Bend radius	10x diameter
Cable diameter	2/c = 6 (0.24) [mm (in.)] 3/c = 6 (0.25) 4/c = 7 (0.27) 5/c = 8 (0.31) 6/c = 8 (0.32)

### Electrical

Cable rating	UL AWM style 2661 VW-1 105C 300V, CSA AWM A/B I/II 80C 300V FT1, UV oil and water resistant
Assembly rating	2-pin = 300V, 10 A 3-pin = 300V, 10 A 4-pin = 300V, 7 A 5-pin = 300V, 5.6 A 6-pin = 300V, 5.6 A

### Environmental

Enclosure type rating	NEMA 4, 6P, 12, 13; IP67; 1200 psi washdown, IP69K
Temperature rating	-20...+105 °C (-4...+221 °F)

### Mating Components & Accessories

Description	Cat. No.
Coupling adapters	889A-NADPT

**Cordset Product Selection [mm (in.)]**

No. of Pins	Assembly Rating	Color Code	Cat. No. <sup>(1)</sup>			
			Straight Female	Right Angle Female	Straight Male	Right Angle Male
2-pin	300V, 10 A	A	889N-F2AEC-6F	889N-R2AEC-6F	889N-U2AEC-6F	889N-V2AEC-6F
3-pin		A	889N-F3AEC-6F	889N-R3AEC-6F	889N-U3AEC-6F	889N-V3AEC-6F
4-pin	300V, 7 A	B	889N-F3AEA-6F	889N-R3AEA-6F	889N-U3AEA-6F	889N-V3AEA-6F
		A	889N-F4AEC-6F	889N-R4AEC-6F	889N-U4AEC-6F	889N-V4AEC-6F
		B	889N-F4AEA-6F	889N-R4AEA-6F	889N-U4AEA-6F	889N-V4AEA-6F
5-pin	300V, 5.6 A	C	889N-F4AE-6F	889N-R4AE-6F	889N-U4AE-6F	889N-V4AE-6F
		A	889N-F5AEC-6F	889N-R5AEC-6F	889N-U5AEC-6F	889N-V5AEC-6F
		B	889N-F5AEA-6F	889N-R5AEA-6F	889N-U5AEA-6F	889N-V5AEA-6F
6-pin		C	889N-F5AE-6F	889N-R5AE-6F	889N-U5AE-6F	889N-V5AE-6F
		A	889N-F6AE-6F	889N-R6AE-6F	889N-U6AE-6F	889N-V6AE-6F

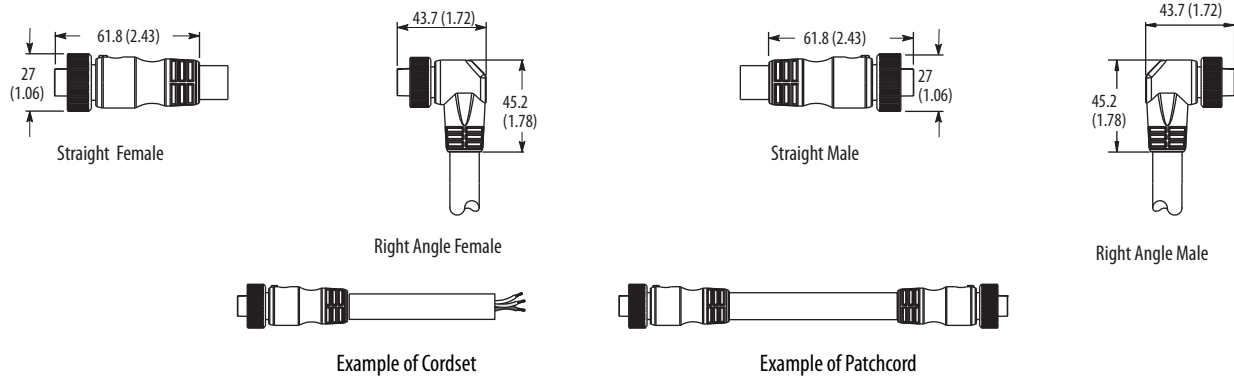
**Patchcord Product Selection [mm (in.)]**

No. of Pins	Assembly Rating	Cat. No. <sup>(1)</sup>			
		Straight Female	Straight Female	Right Angle Female	Right Angle Female
		Straight Male	Right Angle Male	Straight Male	Right Angle Male
2-pin	300V, 10 A	889N-F2AENU-6F	889N-F2AENV-6F	889N-R2AENU-6F	889N-R2AENV-6F
3-pin		889N-F3AENU-6F	889N-F3AENV-6F	889N-R3AENU-6F	889N-R3AENV-6F
4-pin	300V, 7 A	889N-F4AENU-6F	889N-F4AENV-6F	889N-R4AFNU-6F	889N-R4AENV-6F
5-pin	300V, 5.6 A	889N-F5AENU-6F	889N-F5AENV-6F	889N-R5AENU-6F	889N-R5AENV-6F
6-pin		889N-F6AENU-6F	889N-F6AENV-6F	889N-R6AENU-6F	889N-R6AFNV-6F

(1) The 6F at the end of the catalog number is for 6 ft cable length. Replace the 6 with 12 (12 ft) or 20 (20ft) for other standard cable lengths.

**IMPORTANT** Stainless steel connector versions can be ordered by adding an S to the catalog number, for example, 889NS-F3AFC-6F.

**Approximate Dimensions [mm (in.)]**



**Pinout and Color Code**

Color Code	Face View Pinout									
	2-pin		3-pin		4-pin		5-pin		6-pin	
	Female	Male	Female	Male	Female	Male	Female	Male	Female	Male
A (US)	1 White 2 Black	1 Green 2 Black 3 White	1 Black 2 White	3 Red 4 Green	1 White 2 Red 3 Green	4 Orange 5 Black	1 White 2 Red 3 Green	4 Orange Black Blue		
B (Auto)	—	1 Green 2 Red/Black Tr 3 Red/White Tr	1 Red/Black Tr 1 Red/White Tr	3 Red 4 Green	1 Red/White Tr 2 Red 3 Green 4 Red/Yellow Tr 5 Red/Black Tr					
C (IEC)	—	—	1 Black 1 Blue	3 Brown 4 White	1 Black 2 Blue 3 Gray	4 Brown 5 White				

## Mini Style 16 AWG, ToughLink™ and ToughWeld™



4-pin Straight Mini Cordset

### Specifications

Attribute	Value
Certifications	UL Recognized and CSA Certified
Coupling nut material	Epoxy-coated zinc
Housing material	Molded oil-resistant TPE
Contact material	Gold-plated palladium/nickel
Cable type	ToughLink: Oil-resistant yellow TPE jacket, 16 AWG stranded copper, 600V; UL Recognized and CSA Certified, SE00W ToughWeld: Oil-resistant yellow CPE thermoset jacket, 16 AWG stranded copper, 600V; UL Recognized and CSA Certified, S00W
Bend radius	10x diameter
Cable diameter [mm (in.)]	3/c = 10 (0.41) 4/c = 11 (0.44) 5/c = 13 (0.52)
<b>Electrical</b>	
Cable rating	ToughLink: UL SE00W VW-1 105C -50C 600V water resistant, CSA ST00 FT-1 600V; ToughWeld: UL S00W 105C 600V water resistant, CSA -50C FT-1 600V
Assembly rating	3-pin = 600V, 13 A 4-pin = 600V, 10 A 5-pin = 600V, 8 A
<b>Environmental</b>	
Enclosure type rating	NEMA 4, 6P, 12, 13; IP67; 1200 psi washdown, IP69K
Temperature rating	-50...+105 °C (-58...+221 °F)

### Mating Components & Accessories

Description	Cat. No.
Coupling adapters	889A-NADPT



**Cordset Product Selection [mm (in.)]**

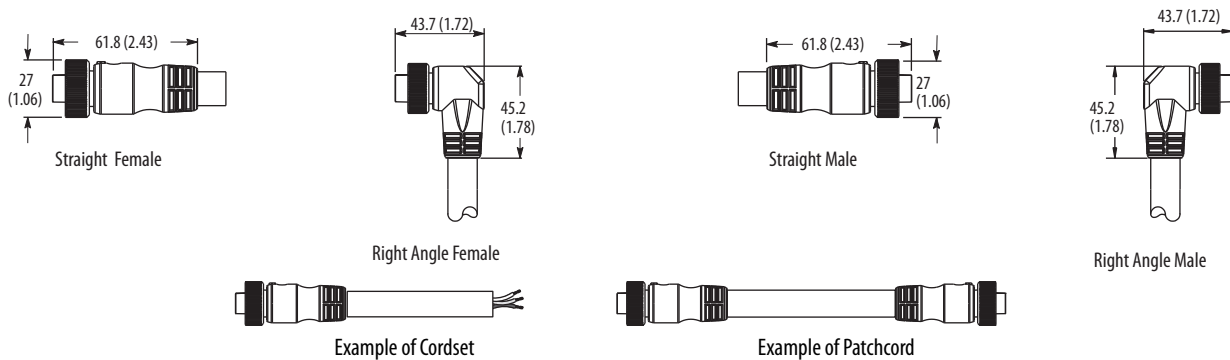
No. of Pins	Jacket Material	Assembly Rating	Color Code	Cat. No. <sup>(1)</sup>			
				Straight Female	Right Angle Female	Straight Male	Right Angle Male
3-pin	ToughLink (TPE)	600V 13 A	A	889N-F3HFC-6F	889N-R3HFC-6F	889N-U3HFC-6F	889N-V3HFC-6F
4-pin		600V 10 A		889N-F4HFC-6F	889N-R4HFC-6F	889N-U4HFC-6F	889N-V4HFC-6F
5-pin		600V 8 A		889N-F5HFC-6F	889N-R5HFC-6F	889N-U5HFC-6F	889N-V5HFC-6F
3-pin	ToughWeld (CPE)	600V 13 A		889N-F3WFC-6F	889N-R3WFC-6F	889N-U3WFC-6F	889N-V3WFC-6F
4-pin		600V 10 A		889N-F4WFC-6F	889N-R4WFC-6F	889N-U4WFC-6F	889N-V4WFC-6F
5-pin		600V 8 A		889N-F5WFC-6F	889N-R5WFC-6F	889N-U5WFC-6F	889N-V5WFC-6F

**Patchcord Product Selection [mm (in.)]**

No. of Pins	Jacket Material	Assembly Rating	Cat. No. <sup>(1)</sup>			
			Straight Female Straight Male	Straight Female Right Angle Male	Right Angle Female Straight Male	Right Angle Female Right Angle Male
3-pin	ToughLink (TPE)	600V 13 A	889N-F3HFNU-6F	889N-F3HFNV-6F	889N-R3HFNU-6F	889N-R3HFNV-6F
4-pin		600V 10 A	889N-F4HFNU-6F	889N-F4HFNV-6F	889N-R4HFNU-6F	889N-R4HFNV-6F
5-pin		600V 8 A	889N-F5HFNU-6F	889N-F5HFNV-6F	889N-R5HFNU-6F	889N-R5HFNV-6F
3-pin	ToughWeld (CPE)	600V 13 A	889N-F3WFNU-6F	889N-F3WFNV-6F	889N-R3WFNU-6F	889N-R3WFNV-6F
4-pin		600V 10 A	889N-F4WFNU-6F	889N-F4WFNV-6F	889N-R4WFNU-6F	889N-R4WFNV-6F
5-pin		600V 8 A	889N-F5WFNU-6F	889N-F5WFNV-6F	889N-R5WFNU-6F	889N-R5WFNV-6F

(1) The 6F at the end of the catalog number is for 6 ft cable length. Replace the 6 with 12 (12 ft) or 20 (20ft) for other standard cable lengths.

**Approximate Dimensions [mm (in.)]**



**Pinout and Color Code**

Color Code	Face View Pinout		
	3-pin	4-pin	5-pin
A (US)			
	1 Green 2 Black 3 White	1 Black    3 Red 2 White    4 Green	1 White    4 Orange 2 Red     5 Black 3 Green

## Mini Style 18 AWG, TPE and ToughWeld™



4-pin Straight Mini Cordset

### Specifications

Attribute	Value
Certifications	UL Recognized and CSA Certified
Coupling nut material	Epoxy-coated zinc
Housing material	Molded oil-resistant TPE
Contact material	Gold-plated palladium/nickel
Cable type	Oil-resistant yellow TPE or CPE jacket, 18 AWG stranded copper, 300V; UL Recognized and CSA Certified
Bend radius	10x diameter
Cable diameter [mm (in.)]	TPE: 3/c = 6 (0.25), 4/c = 7 (0.27), 5/c = 8 (0.32) ToughWeld: 3/c = 8 (0.32), 4/c = 9 (0.36), 5/c = 10 (0.38)

### Electrical

Cable rating	TPE: UL AWM style 20327 VW-1 105C 300V, CSA AWM A/B I/II 105C 300V FT1, UV oil and water resistant ToughWeld: UL SJ00W 105C 300V water resistant, CSA -50C FT-1 300V
Assembly rating	3-pin = 300V, 10 A 4-pin = 300V, 7 A 5-pin = 300V, 5.6 A

### Environmental

Enclosure type rating	NEMA 4, 6P, 12, 13; IP67; 1200 psi washdown, IP69K
Temperature rating	-50...+105 °C (-58...+221 °F)

### Mating Components & Accessories

Description	Cat. No.
Coupling adapters	889A-NADPT

**Cordset Product Selection [mm (in.)]**

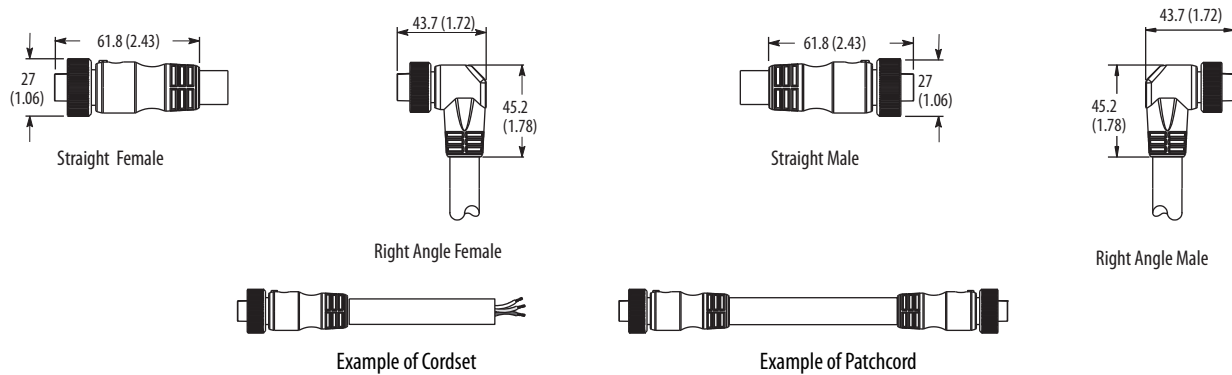
No. of Pins	Jacket Material	Assembly Rating	Color Code	Cat. No. <sup>(1)</sup>			
				Straight Female	Right Angle Female	Straight Male	Right Angle Male
3-pin	TPE	300V, 10 A	B	889N-F3HJA-6F	889N-R3HJA-6F	889N-U3HJA-6F	889N-V3HJA-6F
4-pin		300V, 7 A		889N-F4HJA-6F	889N-R4HJA-6F	889N-U4HJA-6F	889N-V4HJA-6F
5-pin		300V, 5.6 A		889N-F5HJA-6F	889N-R5HJA-6F	889N-U5HJA-6F	889N-V5HJA-6F
3-pin	ToughWeld (CPE)	300V, 10 A	A	889N-F3WEC-6F	889N-R3WEC-6F	889N-U3WEC-6F	889N-V3WEC-6F
4-pin		300V, 7 A		889N-F4WEC-6F	889N-R4WEC-6F	889N-U4WEC-6F	889N-V4WEC-6F
5-pin		300V, 5.6 A		889N-F5WEC-6F	889N-R5WEC-6F	889N-U5WEC-6F	889N-V5WEC-6F

**Patchcord Product Selection [mm (in.)]**

No. of Pins	Jacket Material	Assembly Rating	Cat. No. <sup>(1)</sup>			
			Straight Female Straight Male	Straight Female Right Angle Male	Right Angle Female Straight Male	Right Angle Female Right Angle Male
3-pin	TPE	300V, 10 A	889N-F3HJNU-6F	889N-F3HJNV-6F	889N-R3HJNU-6F	889N-R3HJNV-6F
4-pin		300V, 7 A	889N-F4HJNU-6F	889N-F4HJNV-6F	889N-R4HJNU-6F	889N-R4HJNV-6F
5-pin		300V, 5.6 A	889N-F5HJNU-6F	889N-F5HJNV-6F	889N-R5HJNU-6F	889N-R5HJNV-6F
3-pin	ToughWeld (CPE)	300V, 10 A	889N-F3WENU-6F	889N-F3WENV-6F	889N-R3WENU-6F	889N-R3WENV-6F
4-pin		300V, 7 A	889N-F4WENU-6F	889N-F4WENV-6F	889N-R4WENU-6F	889N-R4WENV-6F
5-pin		300V, 5.6 A	889N-F5WENU-6F	889N-F5WENV-6F	889N-R5WENU-6F	889N-R5WENV-6F

(1) The 6F at the end of the cat. no. is for 6 ft cable length. Replace the 6 with 12 (12 ft), or 20 (20 ft) for other standard cable lengths.

**Approximate Dimensions [mm (in.)]**



**Pinout and Color Code**

Color Code	Face View Pinout					
	3-pin		4-pin		5-pin	
A (US)						
B (Auto)	1 Green 2 Red/Black Tr 3 Red/White Tr	1 Black 2 White	1 Red/Black Tr 2 Red/White Tr	3 Red 4 Green	1 White 2 Red 3 Green	4 Orange 5 Black

### Mini Style PLTC, 18 AWG, Gray PVC



4-pin Straight Mini Cordset

#### Specifications

Attribute	Value
Certifications	UL Recognized and CSA Certified
<b>Mechanical</b>	
Coupling nut material	Epoxy-coated zinc
Housing material	Molded oil resistant TPE
Contact material	Gold over nickel-plated brass
Cable type	Oil-resistant gray PVC jacket, 18 AWG conductors, 300V, UL Listed and CSA Certified
Bend radius	10x diameter
<b>Electrical</b>	
Cable rating	UL PLTC AWM Style 2661VW-1 105C 300V, CSA AWM A/B 1/II 80C 300V FT1, UV oil and water resistant
Assembly rating	4-pin = 300V, 7 A 5-pin = 300V, 5.6 A 6-pin = 300V, 5.6 A
<b>Environmental</b>	
Enclosure type rating	NEMA 4, 6P, 12, 13; IP67; 1200 psi washdown, IP69K
Temperature rating	-20...+105 °C (-4...+221 °F)

#### Mating Components & Accessories

Description	Cat. No.
Coupling adapters	889A-NADPT

**Cordset Product Selection [mm (in.)]**

No. of Pins	Cable Diameter	Color Code	Cat. No. <sup>(1)</sup>			
			Straight Female	Right Angle Female	Straight Male w/ Internal Threads	Right Angle Male w/ Internal Threads
2-pin	6.0 (0.235)	B	889N-F2GEC-6F	889N-R2GEC-6F	889N-U2GEC-6F	889N-V2GEC-6F
3-pin	6.6 (0.26)		889N-F3GEC-6F	889N-R3GEC-6F	889N-U3GEC-6F	889N-V3GEC-6F
4-pin†	6.6 (0.26)		889N-F4GEC-6F	889N-R4GEC-6F	889N-U4GEC-6F	889N-V4GEC-6F
5-pin†	7.6 (0.3)		889N-F5GEC-6F	889N-R5GEC-6F	889N-U5GEC-6F	889N-V5GEC-6F
6-pin†	8.1 (0.32)		889N-F6GEC-6F	889N-R6GEC-6F	889N-U6GEC-6F	889N-V6GEC-6F

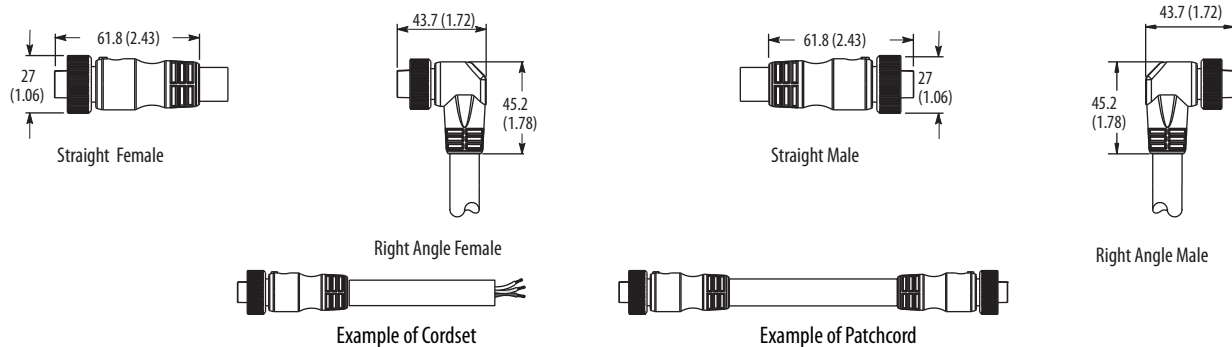
(1)

**Patchcord Product Selection [mm (in.)]**

No. of Pins	Cable Diameter	Cat. No. <sup>(1)</sup>			
		Straight Female Straight Male	Straight Female Right Angle Male	Right Angle Female Straight Male	Right Angle Female Right Angle Male
4-pin	6.6 (0.26)	889N-F4GENU-6F	889N-F4GENV-6F	889N-R4GENU-6F	889N-R4GENV-6F
5-pin	7.6 (0.3)	889N-F5GENU-6F	889N-F5GENV-6F	889N-R5GENU-6F	889N-R5GENV-6F
6-pin	8.1 (0.32)	889N-F6GENU-6F	889N-F6GENV-6F	889N-R6GENU-6F	889N-R6GENV-6F

(1) The 6F at the end of the catalog number is for 6 ft cable length. Replace the 6 with 12 (12 ft), or 20 (20 ft) for other standard cable lengths.

**Approximate Dimensions [mm (in.)]**



**Pinout and Color Code**

Color Code	Face View Pinout					
	4-pin		5-pin		6-pin	
IEC A						
US B						
	1 Black 2 Blue	3 Brown 4 White	1 Black 2 Blue 3 Gray	4 Brown 5 White	1 White 2 Red 3 Green	4 Orange 5 Black 6 Blue
	1 Black 2 White	3 Red 4 Green	1 White 2 Red 3 Green	4 Orange 5 Black	1 White 2 Red 3 Green	4 Orange 5 Black 6 Blue

### Mini Style LED or Coil Cables, PVC



3-pin Illuminated Mini Cordset

#### Specifications

Attribute	Value
Certifications	UL Recognized and CSA Certified
<b>Mechanical</b>	
Coupling nut material	Epoxy-coated zinc
Housing material	Molded oil-resistant PUR
Contact material	Gold-plated palladium/nickel
Cable type	Oil-resistant yellow PVC jacket, 18 AWG stranded copper, illuminated, 300V; UL Recognized and CSA Certified
Bend radius	10x diameter
Cable diameter	3/c = 7.4 mm (0.29 in.) 4/c = 7.1 mm (0.28 in.)
<b>Electrical</b>	
Cable rating	LED models: UL AWM style 2661 VW-1 105C 300V, CSA AWM A/B I/II 80C 300V FT1, UV oil and water resistant Coiled Cable: 300V, UL style 20197, CSA AWM 1/11 A/B
Assembly rating	3-pin = 120V, 3 A for 18 AWG, 6 A for 16 AWG 4-pin = 120V, 3 A for 18 AWG, 6 A for 16 AWG
<b>Environmental</b>	
Enclosure type rating	NEMA 4, 6P, 12, 13; IP67; 1200 psi washdown, IP69K
Temperature rating	-20...+105 °C (-4...+221 °F)

**Cordset Product Selection [mm (in.)]**

No. of Pins	Jacket Material	Wire Rating	Cat. No. <sup>(1)</sup>	
			Straight Female	Right Angle Female
3-pin	Yellow PVC	16 AWG	889N-K3AFA-6F	889N-L3AFA-6F
3-pin	Yellow PVC	18 AWG	889N-K3AEA-6F	889N-L3AEA-6F

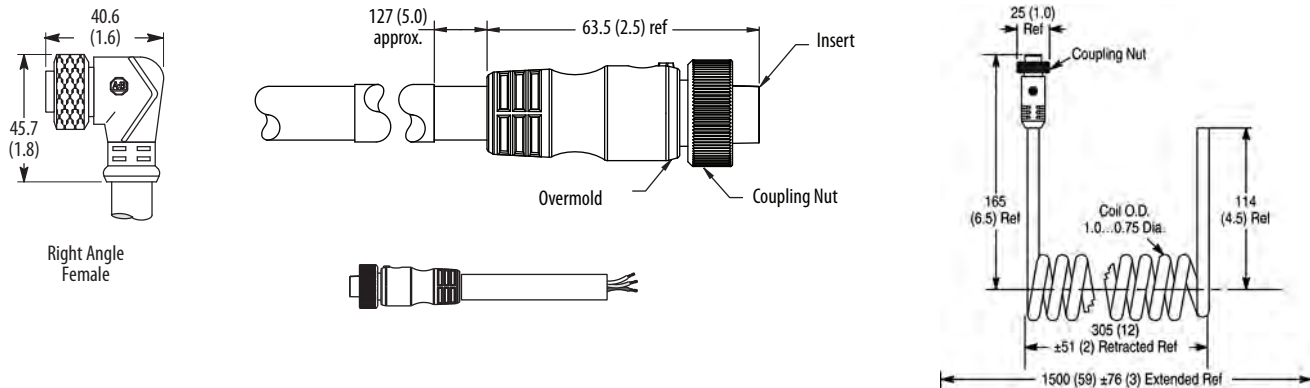
(1) The 6F at the end of the catalog number is for 6 ft cable length. Replace the 6 with 12 (12 ft), or 20 (20 ft) for other standard cable lengths.

**Patchcord Product Selection [mm (in.)]**

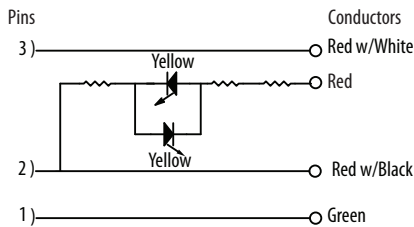
No. of Pins		Jacket Material	Wire Rating	Cat. No. <sup>(1)</sup>			
Female	Male			Straight Female Straight Male	Straight Female Right Angle Male	Right Angle Female Straight Male	Right Angle Female Right Angle Male
3-pin	4-pin	Yellow PVC	16 AWG	889N-K3AFN4U-6F	889N-K3AFN4V-6F	889N-L3AFN4U-6F	889N-L3AFN4V-6F
3-pin	4-pin	Yellow PVC	18 AWG	889N-K3AEN4U-6F	889N-K3AEN4V-6F	889N-L3AEN4U-6F	889N-L3AEN4V-6F

(1) The 6F at the end of the catalog number is for 6 ft cable length. Replace the 6 with 12 (12 ft), or 20 (20 ft) for other standard cable lengths.

**Approximate Dimensions [mm (in.)]**



**Typical Wiring Diagrams**



**Pinout and Color Code**

Color Code	Face View Pinout	
	3-pin	4-pin
	<b>Female</b>	<b>Female</b>
A	1 Green 2 Red/Black Tr 3 Red/White Tr	1 Red/Black Tr 2 Red/White Tr 3 Red 4 Green

## Mini Style T-Ports, Tap-style Wiring



Tap-Style Wiring

### Specifications

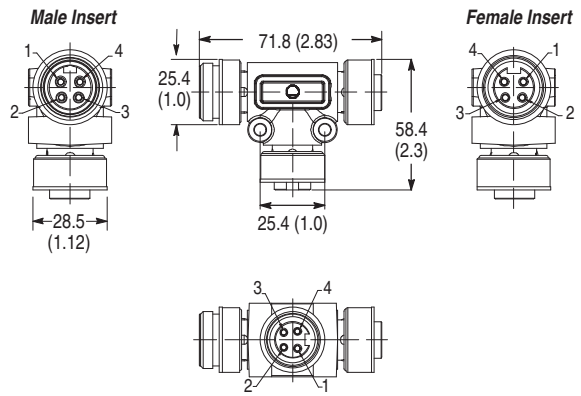
Attribute	Value
Certifications	UL Recognized and CSA Certified
<b>Mechanical</b>	
Coupling nut material	Black epoxy-coated zinc
Housing material	TPE
Contact material	Gold-plated palladium/nickel
<b>Electrical</b>	
Assembly rating	300V, 8 A
<b>Environmental</b>	
Enclosure type rating	IP67, NEMA 6P, 1200 psi (8270 kPa) washdown
Operating temperature	-25...+70 °C (-13...+158 °F)



**Product Selection [mm (in.)]**

No. of Pins	Wiring Diagram	Assembly Rating	Cat. No.
3-pin		300V 8 A	898N-33PB-N4KF
4-pin			898N-43PB-N4KF
5-pin			1485P-P1N5-MN5KF

**Approximate Dimensions [mm (in.)]**



**IMPORTANT** Stainless steel connector versions can be ordered by adding an S to the catalog number, for example, 889NS-42PB-N4KF.

**Pinout and Color Code**

Face View Pinout					
3-pin		4-pin		5-pin	
Female	Male	Female	Male	Female	Male

### Mini Style Receptacles, 16 & 18 AWG, 1/2 in. NPT Mount



4-pin Mini Male Receptacle



2-pin Mini Female Receptacle

#### Specifications

Attribute	Value
Certifications	UL Recognized and CSA Certified
<b>Mechanical</b>	
Coupling nut material	Black epoxy-coated zinc
Contact material	Gold-plated palladium/nickel
Insert material	PVC
Conductors	16 & 18 AWG, PVC insulation
<b>Electrical</b>	
Assembly rating	2-pin = 16 AWG: 600V, 13 A; 18 AWG: 300V, 8 A 3-pin = 16 AWG: 600V, 13 A; 18 AWG: 300V, 8 A 4-pin = 16 AWG: 600V, 10 A; 18 AWG: 300V, 8 A 5-pin = 16 AWG: 600V, 8 A; 18 AWG: 300V, 8 A 6-pin = 16 AWG: 600V, 8 A; 18 AWG: 300V, 8 A
<b>Environmental</b>	
Enclosure type rating	NEMA 6P; IP67; 1200 psi washdown
Operating temperature	-20...+105 °C (-4...+221 °F)

#### Mating Components & Accessories

Description	Cat. No.
1/2 inch-14 NPT mounting nut <sup>(1)</sup>	889A-U1NUT-10
1/2 inch-14 NPT flat sealing washer <sup>(1)</sup>	889A-U1FSL-10

(1) Sold in bags of 10.

**16 AWG Receptacles Product Selection [mm (in.)]**

No. of Pins	Assembly Rating	Color Code	Thread Size	Cat. No. <sup>(1)</sup>			
				Straight Female External Threads	Right Angle Female External Threads	Straight Male External Threads	Right Angle Male External Threads
2-pin	600V AC/DC, 13 A	A	1/2 inch-14 NPT	888N-F2AF1-1F	888N-R2AF1-1F	888N-M2AF1-1F	888N-E2AF1-1F
3-pin		A		888N-F3AF1-1F	888N-R3AF1-1F	888N-M3AF1-1F	888N-E3AF1-1F
	B	888N-F3AFA1-1F		888N-R3AFA1-1F	888N-M3AFA1-1F	888N-E3AFA1-1F	
4-pin	600V AC/DC, 10 A	A		888N-F4AF1-1F	888N-R4AF1-1F	888N-M4AF1-1F	888N-E4AF1-1F
		B		888N-F4AFA1-1F	888N-R4AFA1-1F	888N-M4AFA1-1F	888N-E4AFA1-1F
5-pin	600V AC/DC, 8 A	C		888N-F4AFE1-1F	888N-R4AFE1-1F	888N-M4AFE1-1F	888N-E4AFE1-1F
		A		888N-F5AF1-1F	888N-R5AF1-1F	888N-M5AF1-1F	888N-E5AF1-1F
		B		888N-F5AFA1-1F	888N-R5AFA1-1F	888N-M5AFA1-1F	888N-E5AFA1-1F
6-pin		C		888N-F5AFE1-1F	888N-R5AFE1-1F	888N-M5AFE1-1F	888N-E5AFE1-1F
		A		888N-F6AF1-1F	888N-R6AF1-1F	888N-M6AF1-1F	888N-E6AF1-1F

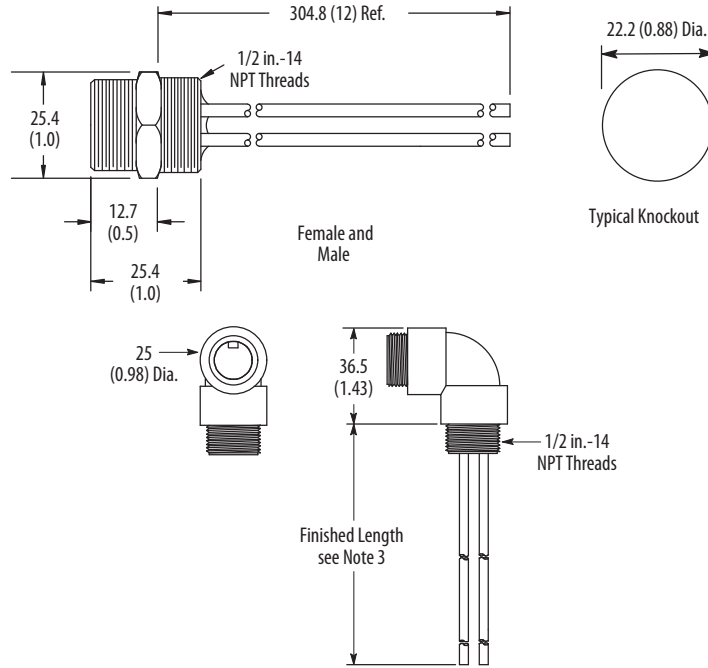
**18 AWG Receptacles Product Selection [mm (in.)]**

No. of Pins	Assembly Rating	Color Code	Thread Size	Cat. No. <sup>(1)</sup>			
				Straight Female External Threads	Right Angle Female External Threads	Straight Male External Threads	Right Angle Male External Threads
2-pin	300V, 10 A	A	1/2 inch-14 NPT	888N-F2AE1-1F	888N-R2AE1-1F	888N-M2AE1-1F	888N-E2AE1-1F
3-pin		A		888N-F3AE1-1F	888N-R3AE1-1F	888N-M3AE1-1F	888N-E3AE1-1F
		B		888N-F3AEA1-1F	888N-R3AEA1-1F	888N-M3AEA1-1F	888N-E3AEA1-1F
4-pin	300V, 7 A	A		888N-F4AE1-1F	888N-R4AE1-1F	888N-M4AE1-1F	888N-E4AE1-1F
		B		888N-F4AEA1-1F	888N-R4AEA1-1F	888N-M4AEA1-1F	888N-E4AEA1-1F
5-pin	300V, 5.6 A	C		888N-F4AEE1-1F	888N-R4AEE1-1F	888N-M4AEE1-1F	888N-E4AEE1-1F
		A		888N-F5AE1-1F	888N-R5AE1-1F	888N-M5AE1-1F	888N-E5AE1-1F
		B		888N-F5AEA1-1F	888N-R5AEA1-1F	888N-M5AEA1-1F	888N-E5AEA1-1F
6-pin		C		888N-F5AEE1-1F	888N-R5AEE1-1F	888N-M5AEE1-1F	888N-E5AEE1-1F
		A		888N-F6AE1-1F	888N-R6AE1-1F	888N-M6AE1-1F	888N-E6AE1-1F

(1) The 1F at the end of the catalog number is for 1 ft cable length. Replace the 1 with 3 (3 ft) for other standard cable lengths.

**Approximate Dimensions [mm (in.)]**

The 1F at the end of the catalog number is for 1 ft cable length. Replace the 1 with 3 (3 ft) for other standard cable lengths.



**Pinout and Color Code**

Color Code	Face View Pinout									
	2-pin		3-pin		4-pin		5-pin		6-pin	
	Female	Male	Female	Male	Female	Male	Female	Male	Female	Male
A (US)	1 White 2 Black	1 Green 2 Black 3 White	1 Black 2 White 3 Red 4 Green	1 White 2 Red 3 Green 4 Orange 5 Black	1 White 2 Red 3 Green 4 Orange 5 Black 6 Blue	—	1 Green 2 Red/Black Tr 3 Red/White Tr	1 Red/Black Tr 2 Red/White Tr	1 Red/White Tr 2 Red 3 Green 4 Red/Yellow Tr 5 Red/Black Tr	—
B (Auto)	—	—	1 Black 2 Blue 3 Brown 4 White	1 Black 2 Blue 3 Gray 4 Brown 5 White	—	—	—	—	—	—
C (IEC)	—	—	—	—	—	—	—	—	—	—

### Mini Style Terminal Chambers, Screw Type, Field Attachable Connector



4-pin Mini Male Receptacle

#### Specifications

Attribute	Value
<b>Mechanical</b>	
Coupling nut material	Black anodized aluminum
Connector shell material	PBT
Contact material	Gold-plated brass
Wire Size	16 AWG (1.5 mm <sup>2</sup> ), max
<b>Environmental</b>	
Enclosure type rating	IP67
Operating temperature	-40...+85 °C (-40...+185 °F)

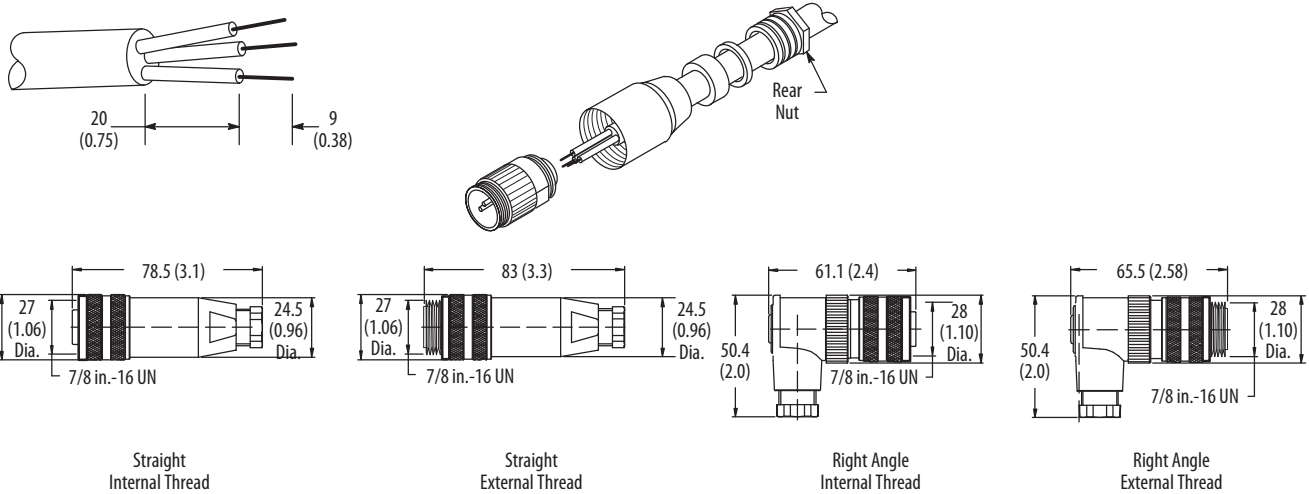
**Product Selection**

No. of Pins	Cable Diameter [mm (in.)]	Assembly Rating	Thread Size	Cat. No.		
				Straight Female Internal Threads	Straight Male Internal Threads	Straight Male External Threads
3-pin	6.0...8.0 (0.23...0.31)	250V, 12 A	PG9	(1) 871A-TS3-N2	(1) 871A-TS3-NU2	(1) 871A-TS3-NM2
	10.0...12.0 (0.39...0.47)		PG13.5	871A-TS3-N1	871A-TS3-NU1	871A-TS3-NM1
4-pin	6.0...8.0 (0.23...0.31)	250V, 9 A	PG9	(1) 871A-TS4-N1	(1) 871A-TS4-NU1	(1) 871A-TS4-NM1
	10.0...12.0 (0.39...0.47)		PG13.5	871A-TS4-N2	871A-TS4-NU2	871A-TS4-NM2
	12.0...14.0 (0.47...0.55)		PG16	871A-TS4-N3	871A-TS4-NU3	871A-TS4-NM3
5-pin	6.0...8.0 (0.24...0.32)	250V, 9 A	PG9	(1) 871A-TS5-N1	(1) 871A-TS5-NU1	(1) 871A-TS5-NM1
	10.0...12.0 (0.39...0.47)		PG13.5	871A-TS5-N2	871A-TS5-NU2	871A-TS5-NM2
	12.0...14.0 (0.47...0.55)		PG16	871A-TS5-N3	871A-TS5-NU3	871A-TS5-NM3

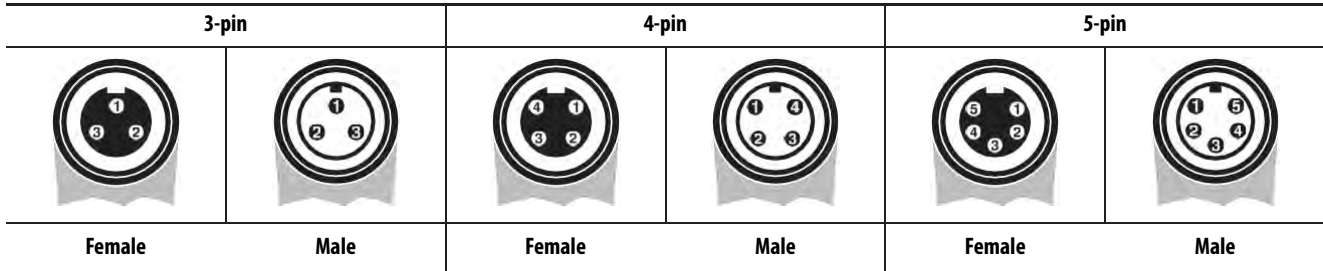
(1) Available in right angle. Replace the S in the catalog number with an R, for example, 871A-TR3-N2.

**IMPORTANT** Stainless steel connector versions may be ordered by adding an S to the catalog number, for example, 871AS-TS3-N2.

**Approximate Dimensions [mm (in.)]**



**Face View Pinout**



## Mini Style Bulkhead Pass-thru



Bulkhead Pass-thru, Mini Style

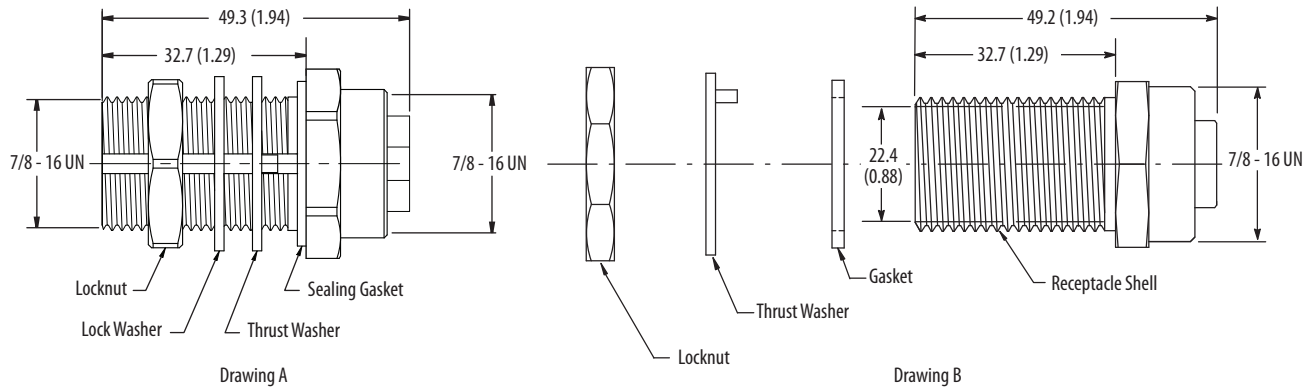
### Specifications

Attribute	Value
Certifications	UL Recognized and CSA Certified
<b>Mechanical</b>	
Material	Nickel-plated brass/gold
Lock Nut	Nickel-plated brass
Contact material	Gold-plated palladium/nickel
Gasket material	Neoprene
Thrust washer	Nylon
Connector insert material	PVC
<b>Environmental</b>	
Enclosure type rating	NEMA 4, 6P, 12, 13; IP67; 1200 psi washdown
Operating temperature	-40...+105 °C (-40...+221 °F)

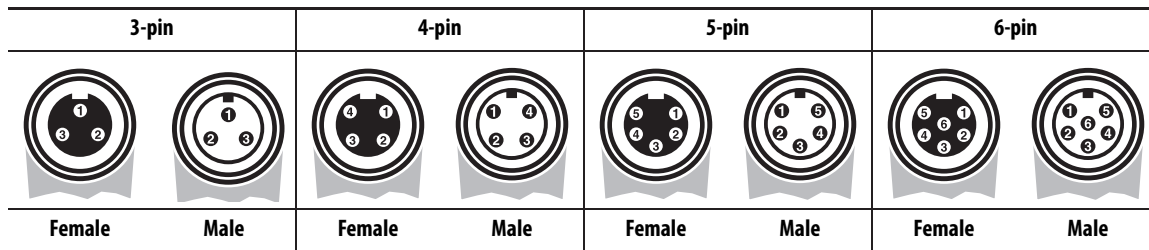
**Product Selection**

No. of Pins	Drawing	Assembly Rating	Cat. No.
3-pin	B	600V 13 A	889A-CXN3-M3
4-pin	B	600V, 8 A	889A-CXN4-M4
5-pin	A	600V, 8 A	1485A-CXN5-M5
6-pin	B	600V 8 A	889A-CXN6-M6

**Approximate Dimensions [mm (in.)]**



**Face View Pinout**





### Mini-plus Style 16 AWG, ST00W-A, 7- and 8-pin



8-pin Mini-plus Cordset



8-pin Mini-plus Straight to Straight Patchcord

#### Specifications

Attribute	Value
Certifications	UL Recognized and CSA Certified
<b>Mechanical</b>	
Coupling nut material	Brass nickel, 16 AWG Epoxy-coated zinc, 18 AWG
Housing material	TPU yellow
Contact material	Gold-plated machined brass
Cable type	Oil-resistant yellow PVC jacket, 16 or 18 AWG stranded copper, 600V or 300V; UL Recognized and CSA Certified, ST00W
Bend radius	10x diameter
Cable diameter [mm (in.)]	7/c = 14 (0.55) 8/c = 15 (0.59)
<b>Electrical</b>	
Cable rating	16 AWG: UL ST00W 90C 600V, CSA ST 105C FT2 18 AWG: UL AWM style 2517 or 2661 105C 300V, CSA AWM A/B I/II 105C 300V FT1
Assembly rating	16 AWG: 600V, 7 A 18 AWG: 300V, 3 A
<b>Environmental</b>	
Enclosure type rating	NEMA 1, 3, 4, 6P, 12, 13; IP68; 1200 psi washdown
Temperature rating	-40...+105 °C (-40...+221 °F)

#### Mating Components & Accessories

Description	Cat. No.
Coupling Adapter	889A-N2ADPT



### Mini-plus Style 16 AWG, ST00W-A 9-, 10-, and 12-pin



10-pin Mini-plus Cordset

#### Specifications

Attribute	Value
Certifications	UL Recognized and CSA Certified
<b>Mechanical</b>	
Coupling nut material	Brass nickel, 16 AWG Epoxy-coated zinc, 18 AWG
Housing material	TPU yellow
Contact material	Gold-plated machined brass
Cable type	Oil-resistant yellow PVC jacket, 16 or 18 AWG stranded copper, 600V or 300V; UL Recognized and CSA Certified, ST00W
Bend radius	10x diameter
Cable diameter [mm (in.)]	16 AWG 9/c = 17 (0.67) 16 AWG 10/c = 17 (0.67) 16 AWG 12/c = 18 (0.71) 18/22 AWG 12/c = 9 (0.36)
<b>Electrical</b>	
Cable rating	16 AWG: UL ST00W 90C 600V, CSA ST 105C FT2 18 AWG: UL AWM style 2517 or 2661 105C 300V, CSA AWM A/B I/II 105C 300V FT1
Assembly rating	16 AWG: 600V, 7 A 18 AWG: 300V, 3 A
<b>Environmental</b>	
Enclosure type rating	NEMA 1, 3, 4, 6P, 12, 13; IP68; 1200 psi washdown
Temperature rating	-40...+105 °C (-40...+221 °F)

#### Mating Components & Accessories

Description	Cat. No.
Coupling Adapter	889A-N3ADPT

**Cordsets Product Selection**

No. of Pins	Assembly Rating	Color Code	Cat. No. <sup>(1)</sup>	
			Straight Female	Straight Male
9-pin	16 AWG, 600V, 7 A	A	889N-F9AF-2	889N-U9AF-2
10-pin			889N-F10AF-2	889N-U10AF-2
12-pin			889N-F12AF-2	889N-U12AF-2
	(3) 18 AWG/(9) 22 AWG, 300V, 3 A	B	889N-F12AC-2	—

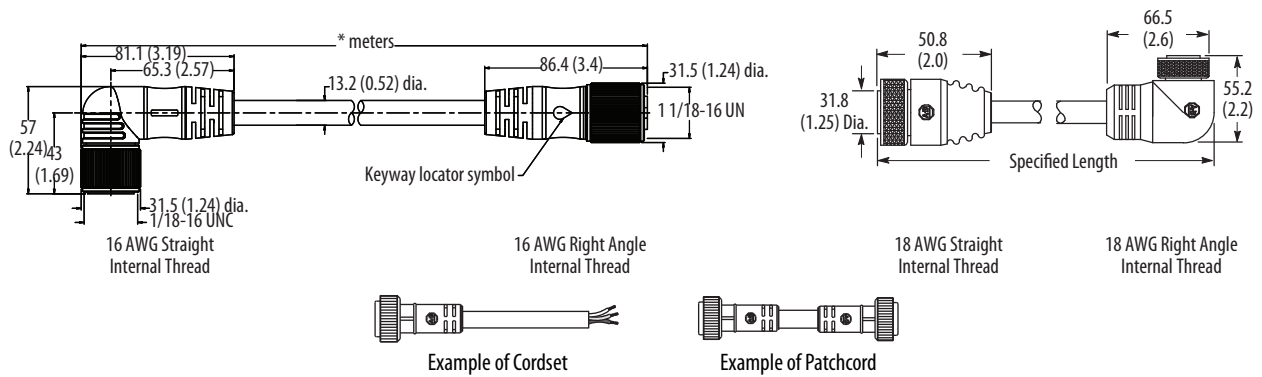
(1) The 2 at the end of the catalog number is for 2 m (6.5 ft) cable length. Replace the 2 with 5 (5 m (16.4 ft)), or 10 (10 m (32.8 ft)) for standard cable lengths.

**Patchcords Product Selection**







No. of Pins	Assembly Rating	Cat. No. <sup>(1)</sup>	
		Straight Female Straight Male	Straight Female Right Angle Male
9-pin	16 AWG, 600V, 7 A	889N-F9AFNU-2	—
10-pin	16 AWG, 600V, 7 A	889N-F10AFNU-2	889N-F10AFNV-2
	(3) 18 AWG/(9) 22 AWG, 300V, 3 A	889N-F10ACNU-2	889N-F10ACNV-2
12-pin	16 AWG, 600V, 7 A	889N-F12AFNU-2	889N-F12AFNV-2
	(3) 18 AWG/(9) 22 AWG, 300V, 3 A	889N-F12ACNU-2	889N-F12ACNV-2
Thread adapter to couple standard internally threaded ends.		889A-N3ADPT	889A-N3ADPT

(1) The 2 at the end of the catalog number is for 2 m (6.5 ft) cable length. Replace the 2 with 1 (1 m (3.3 ft)), 3 (3 m (9.8 ft)), 5 (5 m (16.4 ft)), or 10 (10 m (32.8 ft)) for standard cable lengths.

**Approximate Dimensions [mm (in.)]**



**Pinout and Color Code**

Color Code	Face View Pinout					
	9-pin		10-pin		12-pin	
						
	Female	Male	Female	Male	Female	Male
A	1 Orange 2 Blue 3 Red/Black Tr 4 Green/Black Tr 5 White	6 Red 7 Green 8 White/Black Tr 9 Black	1 Orange 2 Blue 3 White/Black Tr 4 Red/Black Tr 5 Green/Black Tr	6 Orange/Black Tr 7 Red 8 Green 9 Black 10 White	1 Orange 2 Blue 3 White/Black Tr 4 Red/Black Tr 5 Green/Black Tr 6 Orange/Black Tr	7 Blue/Black Tr 8 Black/White Tr 9 Green 10 Red 11 White 12 Black
B	—	—	—	—	1 White 2 Green 3 Yellow 4 Gray 5 Rose 6 Red	7 Black 8 Violet 9 Green/Yellow <sup>(1)</sup> 10 Orange 11 Blue <sup>(1)</sup> 12 Brown <sup>(1)</sup>

(1) 18 AWG conductors

### Mini-plus Style 16 AWG, PVC, 7- and 8-pin



7-pin Mini-plus Female Receptacle

#### Specifications

Attribute	Value
Certifications	UL Recognized and CSA Certified
<b>Mechanical</b>	
Receptacle shell material	Machined anodized aluminum with clear sealant
Connector insert material	TPU/Yellow
Contact material	Gold-plated machined brass
Insulation material	Oil-resistant yellow PVC jacket, 16 AWG stranded copper, 600V; UL Recognized and CSA Certified, ST00W
<b>Electrical</b>	
Assembly rating	16 AWG: 600V AC/DC, 8 A 18 AWG: 300V AC/DC, 4.9 A
<b>Environmental</b>	
Enclosure type rating	NEMA 1, 3, 4, 6P; IP68; 1200 psi washdown
Operating temperature	-30...+80 °C (-22...+176 °F)

**16 AWG Receptacles Product Selection**

No. of Pins	Assembly Rating	Color Code	Thread Size	Cat. No. <sup>(1)</sup>	
				Straight Female External Threads	Straight Male External Threads
7-pin	600V AC/DC, 7 A	A	1/2 in. 14 NPT	888N-F7AF1-1F	888N-M7AF1-1F
8-pin				888N-F8AF1-1F	888N-M8AF1-1F

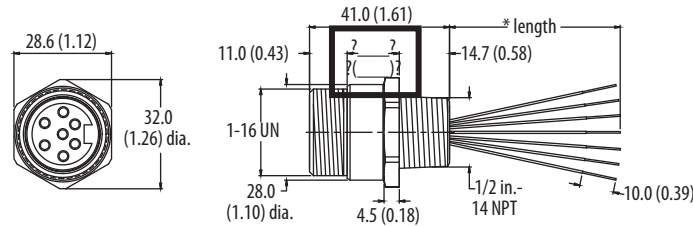
(1) The 1F at the end of the catalog number is for 1 ft cable length. Replace the 1 with 3 (3 ft) for other standard cable lengths.

**18 AWG Receptacles Product Selection**

No. of Pins	Assembly Rating	Color Code	Thread Size	Cat. No. <sup>(1)</sup>	
				Straight Female External Threads	Straight Male External Threads
7-pin	300V AC/DC, 4.9 A	A	1/2 in. 14 NPT	888N-F7AE1-1F	888N-M7AE1-1F
8-pin				888N-F8AE1-1F	888N-M8AE1-1F

(1) The 1F at the end of the catalog number is for 1 ft cable length. Replace the 1 with 3 (3 ft) for other standard cable lengths.

**Approximate Dimensions [mm (in.)]**



**Pinout and Color Code**

Color Code	Face View Pinout			
	7-pin		8-pin	
	Female	Male	Female	Male
A	 1 White/Black Tr 2 Black 3 White 4 Red	 5 Orange 6 Blue 7 Green	 1 Orange 2 Blue 3 White/Black Tr 4 Black	 5 White 6 Red 7 Green 8 Red/Black Tr
B	 1 Black 2 White 3 Blue 4 Brown	 5 Gray <sup>(1)</sup> 6 Yellow <sup>(1)</sup> 7 Green	 1 Red 2 White 3 Blue 4 Brown	 5 White 6 Red 7 Green 8 Red/Black Tr

(1) 20 AWG conductors

### Mini-plus Style 16 AWG, PVC, 9-, 10-, and 12-pin



12-pin Mini-plus Male Receptacle

#### Specification

Attribute	Value
Certifications	UL Recognized and CSA Certified
<b>Mechanical</b>	
Receptacle shell material	12-pin brass/nickel
Connector insert material	TPU/Yellow
Contact material	Gold-plated machined brass
Insulation Material	Oil-resistant yellow PVC jacket, 16 AWG stranded copper, 600V; UL Recognized and CSA Certified
<b>Environmental</b>	
Enclosure type rating	NEMA 1, 3, 4, 6P; IP68; 1200 psi washdown
Operating temperature	-30...+80 °C (-22...+176 °F)



### 16 AWG Receptacles Product Selection

No. of Pins	Assembly Rating	Color Code	Cat. No. <sup>(1)</sup>	
			Straight Female	Straight Male
9-pin	600V, 7 A	A	888N-F9AF1-1F	888N-M9AF1-1F
10-pin			888N-F10AF1-1F	888N-M10AF1-1F
12-pin			888N-F12AF1-1F	888N-M12AF1-1F

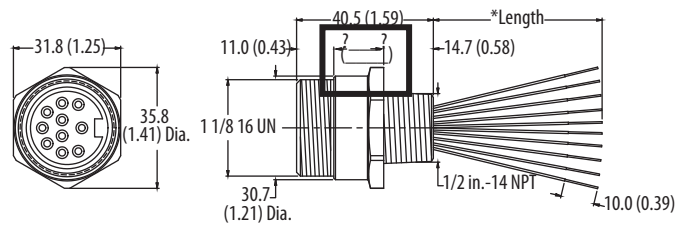
(1) The 2 at the end of the cat. no. is for 2 m (6.5 ft) cable length. Replace the 2 with 5 (5 m (16.4 ft)), or 10 (10 m (32.8 ft)) for standard cable lengths.

### 18 AWG Receptacles Selection

No. of Pins	Assembly Rating	Color Code	Cat. No. <sup>(1)</sup>	
			Straight Female	Straight Male
9-pin	300V, 4.9 A	A	888N-F9AE1-1F	888N-M9AE1-1F
10-pin			888N-F10AE1-1F	888N-M10AE1-1F
12-pin	300V, 3.5 A		888N-F12AE1-1F	888N-M12AE1-1F

(1) The 2 at the end of the cat. no. is for 2 m (6.5 ft) cable length. Replace the 2 with 5 (5 m (16.4 ft)), or 10 (10 m (32.8 ft)) for standard cable lengths.

### Approximate Dimensions [mm (in.)]



### Pinout and Color Code

Color Code	Face View Pinout					
	9-pin		10-pin		12-pin	
	Female	Male	Female	Male	Female	Male
A	1 Orange 2 Blue 3 Red/Black Tr 4 Green/Black Tr 5 White	6 Red 7 Green 8 White/Black Tr 9 Black	1 Orange 2 Blue 3 White/Black Tr 4 Red/Black Tr 5 Green/Black Tr	6 Orange/Black Tr 7 Red 8 Green 9 Black 10 White	1 Orange 2 Blue 3 White/Black Tr 4 Red/Black Tr 5 Green/Black Tr 6 Orange/Black Tr	7 Blue/Black Tr 8 Black/White Tr 9 Green 10 Red 11 White 12 Black

## DC Micro Style, 18 & 22 AWG, Yellow, Black, or Blue PVC



4-pin DC Micro Cordset

### Specifications

Attribute	Value
Certifications	UL Recognized and CSA Certified
<b>Mechanical</b>	
Coupling nut material	Epoxy-coated zinc
Material	Molded oil-resistant PUR
Contact material	Gold over nickel-plated brass
Cable type	Oil-resistant PVC jacket, 18 or 22 AWG conductors, 300V, UL Recognized and CSA Certified
Bend radius	10 x diameter
Cable diameter [mm (in.)]	2/c = 5 (0.21) 3/c = 5 (0.21) 4/c = 5 (0.21) 5/c = 6.5 (0.25) 4/c (18 AWG) = 6.5 (0.25)
<b>Electrical</b>	
Cable rating	UL AWM style 2661 VW-1 105C 300V, CSA AWM A/B I/II 80C 300V FT1, UV oil and water resistant
Assembly rating	250V, 4 A
<b>Environmental</b>	
Enclosure type rating	NEMA 6P, 1200 psi (8270 kPa) washdown, IP69K
Temperature rating	-20...+105 °C (-4...+221 °F)

**Cordset Product Selection**

No. of Pins	Color Code	Jacket Color	Wire Size [AWG]	Cat. No. <sup>(1)</sup>			
				Straight Female	Right Angle Female	Straight Male	Right Angle Male
2-pin	A	Yellow	22	889D-F2AC-2	889D-R2AC-2	889D-M2AC-2	889D-E2AC-2
	B	Black		889D-F2BC-Q2	889D-R2BC-Q2	—	—
3-pin	A	Yellow		889D-F3AC-2	889D-R3AC-2	889D-M3AC-2	889D-E3AC-2
4-pin	A	Yellow		18	889D-F4AC-2	889D-R4AC-2	889D-M4AC-2
		Yellow	22	889D-F4AE-2	889D-R4AE-2	889D-M4AE-2	889D-E4AE-2
		Black		889D-F4BC-2	889D-R4BC-2	889D-M4BC-2	889D-E4BC-2
		Blue		889D-F4LC-2	889D-R4LC-2	889D-M4LC-2	889D-E4LC-2
5-pin	A	Yellow	22	889D-F5AC-2	889D-R5AC-2	889D-M5AC-2	889D-E5AC-2
		Black		889D-F5BC-2	889D-R5BC-2	889D-M5BC-2	889D-E5BC-2

(1) The 2 at the end of the catalog number is for 2 m cable length. Replace the 2 with 5 (5 m) or 10 (10 m) for standard cable lengths.

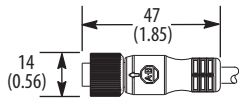
**Pathcord Product Selection**

No. of Pins	Color Code	Jacket Color	Wire Size [AWG]	Cat. No. <sup>(1)</sup>				
				Straight Female Straight Male	Straight Female Right Angle Male	Right Angle Female Straight Male	Right Angle Female Right Angle Male	
2-pin	A	Yellow	22	889D-F2ACDM-2	889D-F2ACDE-2	889D-R2ACDM-2	889D-R2ACDE-2	
	B	Black		889D-F2BCDM-Q2	889D-F2BCDE-Q2	889D-R2BCDM-Q2	889D-R2BCDE-Q2	
3-pin	A	Yellow	22	889D-F3ACDM-2	889D-F3ACDE-2	889D-R3ACDM-2	889D-R3ACDE-2	
4-pin	A	Yellow		18	889D-F4ACDM-2	889D-F4ACDE-2	889D-R4ACDM-2	889D-R4ACDE-2
	AS	Yellow	22	889D-F4ACDM-V2	889D-F4ACDE-V2	889D-R4ACDM-V2	889D-R4ACDE-V2	
	A	Yellow		18	889D-F4AEDM-2	889D-F4AEDE-2	889D-R4AEDM-2	889D-R4AEDE-2
	A	Black		22	889D-F4BCDM-2	889D-F4BCDE-2	889D-R4BCDM-2	889D-R4BCDE-2
	A	Blue	889D-F4LCDM-2		889D-F4LCDE-2	889D-R4LCDM-2	889D-R4LCDE-2	
5-pin	A	Yellow	22	889D-F5ACDM-2	889D-F5ACDE-2	889D-R5ACDM-2	889D-R5ACDE-2	
		Black		889D-F5BCDM-2	889D-F5BCDE-2	889D-R5BCDM-2	889D-R5BCDE-2	

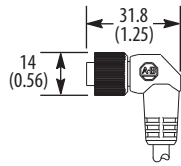
(1) The 2 at the end of the catalog number is for 2 m cable length. Replace the 2 with 0M3 (0.3 m), 1 (1 m), 5 (5 m), or 10 (10 m) for standard cable lengths.

**IMPORTANT** Stainless steel connector versions can be ordered by adding an S to the catalog number, for example, 889DS-F4AC-\_\_.

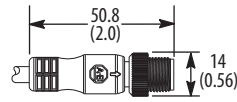
**Approximate Dimensions**



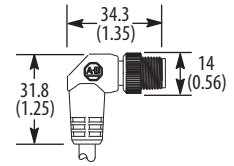
Straight Female



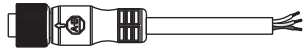
Right Angle Female



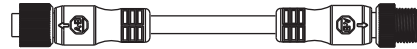
Straight Male



Right Angle Male



Example of Cordset



Example of Patchcord

**Pinout and Color Code**

Color Code	Face View Pinout							
	2-pin		3-pin		4-pin		5-pin	
A	1 NA 2 NA 3 Brown	4 Blue 5 NA	1 Brown 2 NA 3 Blue	4 Black 5 NA	1 Brown 2 White 3 Blue	4 Black 5 NA	1 Brown 2 White 3 Blue	4 Black 5 Gray
B	1 Brown 2 NA 3 NA	4 Blue 5 NA	—	—	—	—	—	—

## DC Micro Style, 22 AWG, Yellow PVC Shielded



4-pin DC Micro Cordset

### Specifications

Attribute	Value
Certifications	UL Recognized and CSA Certified
<b>Mechanical</b>	
Coupling nut material	Epoxy-coated zinc
Material	Molded oil-resistant PUR
Contact material	Gold over nickel-plated brass
Cable type	Yellow oil-resistant PVC jacket, 22 AWG conductors, 300V, UL Recognized and CSA Certified
Bend radius	10 x diameter
Cable diameter [mm (in.)]	4/c = 5 (0.21) 5/c = 6.5 (0.25)
<b>Electrical</b>	
Cable rating	UL AWM style 2661 VW-1 105C 300V, CSA AWM A/B I/II 80C 300V FT1, UV oil and water resistant
Assembly rating	250V, 4 A
<b>Environmental</b>	
Enclosure type rating	NEMA 6P, 1200 psi (8270 kPa) washdown, IP69K
Temperature rating	-20...+105 °C (-4...+221 °F)

**Cordset Product Selection**

No. of Pins	Color Code	Shield	Wire Size [AWG]	Cat. No. <sup>(1)</sup>			
				Straight Female	Right Angle Female	Straight Male	Right Angle Male
4-pin	A	Braided Shield	22	889D-F4EC-2	889D-R4EC-2	889D-M4EC-2	889D-E4EC-2
	A	Foil Shield		889D-F4FC-2	889D-R4FC-2	889D-M4FC-2	889D-E4FC-2
	B			889D-F5FC-J2	889D-R5FC-J2	889D-M5FC-J2	889D-E5FC-J2
5-pin	A	Shielded		889D-F5EC-2	889D-R5EC-2	889D-M5EC-2	889D-E5EC-2

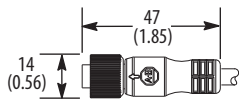
(1) The 2 at the end of the catalog number is for 2 m cable length. Replace the 2 with 5 (5 m) or 10 (10 m) for standard cable lengths.

**Patchcord Product Selection**

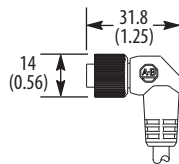
No. of Pins	Color Code	Shield	Wire Size [AWG]	Cat. No. <sup>(1)</sup>			
				Straight Female Straight Male	Straight Female Right Angle Male	Right Angle Female Straight Male	Right Angle Female Right Angle Male
4-pin	A	Braided Shield	22	889D-F4ECDM-2	889D-F4ECDE-2	889D-R4ECDM-2	889D-R4ECDE-2
	A	Foil Shield		889D-F4FCDM-2	889D-F4FCDE-2	889D-R4FCDM-2	889D-R4FCDE-2
	B			889D-F5FCDM-J2	889D-F5FCDE-J2	889D-R5FCDM-J2	889D-R5FCDE-J2
5-pin	A	Braided Shield		889D-F5ECDM-2	889D-F5ECDE-2	889D-R5ECDM-2	889D-R5ECDE-2

(1) The 2 at the end of the catalog number is for 2 m cable length. Replace the 2 with 0M3 (0.3 m), 1 (1 m), 5 (5 m), or 10 (10 m) for standard cable lengths.

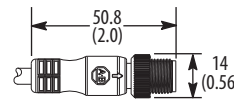
**Approximate Dimensions [mm (in.)]**



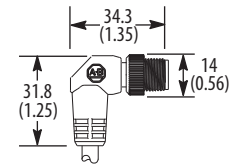
Straight Female



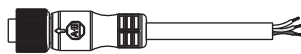
Right Angle Female



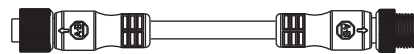
Straight Male



Right Angle Male



Example of Cordset



Example of Patchcord

**Pinout and Color Code**

Color Code	Face View Pinout			
	4-pin		5-pin	
		<p>Female</p>	<p>Male</p>	
A	1 Brown 2 White 3 Blue	4 Black 5 NA	1 Brown 2 White 3 Blue	4 Black 5 Gray
B	1 Brown 2 White 3 Blue	4 Black 5 Drain wire	—	—

## DC Micro Style, 22 AWG, Yellow PVC Quick Connect



4-pin DC Micro Cordset Quick Connect

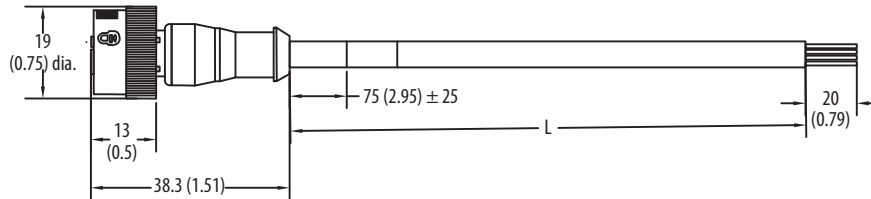
### Specifications

Attribute	Value
Certifications	UL Recognized and CSA Certified
<b>Mechanical</b>	
Coupling nut material	PA 6, black
Contact material	Gold over nickel-plated brass
Cable type	Yellow oil-resistant PVC jacket, 22 AWG conductors, 300V, UL Recognized and CSA Certified
Bend radius	10 x diameter
Cable diameter [mm (in.)]	4/c = 5 (0.21)
<b>Electrical</b>	
Cable rating	UL AWM style 2464 80C 300V VW1, CSA AWM A/B I/II 80C 300V FT1, UV oil and water resistant
Assembly rating	250V, 4 A
<b>Environmental</b>	
Enclosure type rating	IP67
Temperature rating	-20...+80 °C (-4...+176 °F)

**Product Selection**

No. of Pins	Cable type	Assembly Rating	Wire Size [AWG]	Cat. No. Straight Female
4-pin	PVC Cable	250V, 4 A	22	889DQ-F4AC-1
				889DQ-F4AC-2
				889DQ-F4AC-3
				889DQ-F4AC-5
				889DQ-F4AC-7
				889DQ-F4AC-10
				889DQ-F4AC-15
				889DQ-F4AC-20
889DQ-F4AC-30				

**Approximate Dimensions [mm (in.)]**



**Pinout and Color Code**

Color Code	Face View Pinout		
	4-pin		
A	<table style="width: 100%; border: none;"> <tr> <td style="width: 50%; border: none;">1 Brown 2 White 3 Blue</td> <td style="width: 50%; border: none;">4 Black 5 NA</td> </tr> </table>	1 Brown 2 White 3 Blue	4 Black 5 NA
1 Brown 2 White 3 Blue	4 Black 5 NA		



## DC Micro Style, 18 & 22 AWG, PUR, TPE, or TPR



4-pin DC Micro Cordset

### Specifications

Attribute	Value
Certifications	UL Recognized and CSA Certified
Coupling nut material	Epoxy-coated zinc
Material	Molded oil-resistant PUR
Contact material	Gold over nickel-plated brass
Cable type	Oil-resistant PVC jacket, 18 & 22 AWG or 24 AWG conductors, 300V; UL Recognized and CSA Certified
Bend radius	10x diameter
Cable diameter [mm (in.)]	4/c (PUR): 5 (0.21) 4/c (18 AWG TPE): 7 (0.28) 4/c (22 AWG TPE): 4.9 (0.19) 5/c: 6.5 (0.25) 7/c: 7.4 (0.29) 8/c: 7.4 (0.29)
<b>Electrical</b>	
Cable rating	4 & 5/c (PUR): UL AWM style 20866 VW-1 80C 300V, CSA AWM A/B I/II 80C 300V FT1, UV oil and water resistant 8/c (PUR): UL AWM style 20866 90C 300V, CSA II A 90C 300V TPE: UL AWM style 20327 VW-1 105C 300V, CSA AWM A/B I/II 105C 300V FT1, UV oil and water resistant
<b>Environmental</b>	
Enclosure type rating	IP67, NEMA 6P, 1200 psi (8270 kPa) washdown, IP69K
Temperature rating	PUR models: -20...+80 °C (-4...+176 °F) TPE models: -50...+105 °C (-58...+221 °F) TPR models: -25...+125 °C (-13...+256 °F)

**Cordset Product Selection**

No. of Pins	Cable type	Wire Size, AWG	Assembly Rating	Color Code	Cat. No. <sup>(1)</sup>					
					Straight Female	Right Angle Female	Straight Male	Right Angle Male		
3-pin	PUR	18	250V, 4 A	A	889D-F3UE-2	889D-R3UE-2	889D-M3UE-2	889D-E3UE-2		
4-pin	TPE	18			889D-F4HJ-2	889D-R4HJ-2	889D-M4HJ-2	889D-E4HJ-2		
		22			889D-F4HL-2	889D-R4HL-2	889D-M4HL-2	889D-E4HL-2		
	PUR	22			889D-F4UC-2	889D-R4UC-2	889D-M4UC-2	889D-E4UC-2		
		18			889D-F4UE-2	889D-R4UE-2	889D-M4UE-2	889D-E4UE-2		
5-pin	PUR	22			889D-F5UC-2	889D-R5UC-2	889D-M5UC-2	889D-E5UC-2		
8-pin	TPR	24			30V AC/36V DC 1.5 A	B	889D-F8AC-2	—	—	—
	PUR	24					889D-F8AB-2	889D-R8AB-2	889D-M8AB-2	889D-E8AB-2
	PVC Shielded	22					889D-F8FB-2	889D-R8FB-2	889D-M8FB-2	—

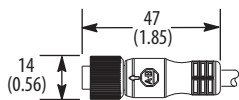
(1) The 2 at the end of the catalog number is for 2 m cable length. Replace the 2 with 5 (5 m) or 10 (10 m) for standard cable lengths.

**Patchcord Product Selection**

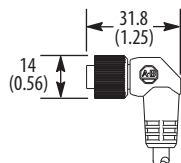
No. of Pins	Cable type	Wire Size, AWG	Assembly Rating	Color Code	Cat. No. <sup>(1)</sup>					
					Straight Female Straight Male	Straight Female Right Angle Male	Right Angle Female Straight Male	Right Angle Female Right Angle Male		
3-pin	PUR	18	250V, 4 A	A	889D-F3UEDM-2	889D-F3UEDE-2	889D-R3UEDM-2	889D-R3UEDE-2		
4-pin	TPE	22			889D-F4HJDM-2	889D-F4HJDE-2	889D-R4HJDM-2	889D-R4HJDE-2		
					889D-F4HLDM-2	889D-F4HLDE-2	889D-R4HLDM-2	889D-R4HLDE-2		
	PUR	22			889D-F4UCDM-2	889D-F4UCDE-2	889D-R4UCDM-2	889D-R4UCDE-2		
		18			889D-F4UEDM-2	889D-F4UEDE-2	889D-R4UEDM-2	889D-R4UEDE-2		
5-pin	PUR	22			889D-F5UCDM-2	889D-F5UCDE-2	889D-R5UCDM-2	889D-R5UCDE-2		
24		889D-F8ABDM-2			889D-F8ABDE-2	889D-R8ABDM-2	889D-R8ABDE-2			
8-pin	PVC Shielded	24			30V AC/36V DC 1.5 A	B	889D-F8FBDM-2	889D-F8FBDE-2	889D-R8FBDM-2	889D-R8FBDE-2

(1) The 2 at the end of the catalog number is for 2 m cable length. Replace the 2 with 0M3 (0.3 m), 1 (1 m), 5 (5 m), or 10 (10 m) for standard cable lengths.

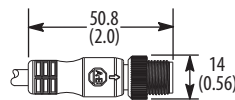
**Approximate Dimensions [mm (in.)]**



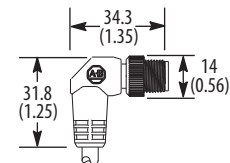
Straight Female



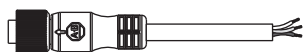
Right Angle Female



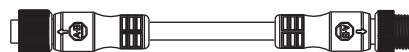
Straight Male



Right Angle Male

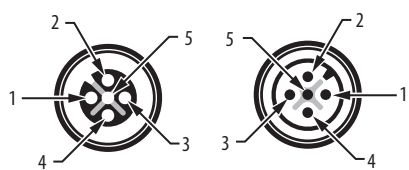
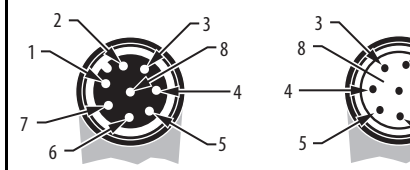
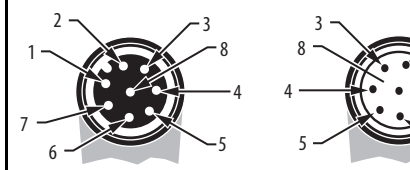


Example of Cordset



Example of Patchcord

**Pinout and Color Code**

Color Code	Face View Pinout						
	3-pin	4-pin		5-pin		8-pin	
							
Female	Female	Male	Female	Male	Female	Male	
A	1 Brown 2 NA 3 Blue 4 Black 5 NA	1 Brown 2 White 3 Blue	4 Black 5 NA	1 Brown 2 White 3 Blue	4 Black 5 Gray	1 Red 2 Blue 3 Green 4 Yellow	5 Black 6 White 7 N.C. 8 Gray
B	—	—	—	—	—	1 White 2 Brown 3 Green 4 Yellow	5 Gray 6 Pink 7 Blue 8 Red

**DC Micro Style, 18 & 22 AWG, ToughLink™ or ToughWeld™**



4-pin DC Micro Cordset

**Specifications**

Attribute	Value
Certifications	UL Recognized and CSA Certified
<b>Mechanical</b>	
Coupling nut material	Epoxy-coated zinc
Material	Molded oil-resistant santoprene body
Contact material	Gold over nickel-plated brass
Cable type	Allen-Bradley ToughLink TPE or ToughWeld CPE yellow jacket, 18 or 22 AWG conductors, 300V; UL Recognized and CSA Certified
Bend radius	10x diameter
Cable diameter [mm (in.)]	ToughLink: 8 (0.32) ToughWeld: 9 (0.35)
<b>Electrical</b>	
Cable rating	ToughLink: UL AWM style 20328 600V VW-1 105C to -50C water resistant, CSA AWM I/II A/B 105C 600V FT2 ToughWeld: UL -50C SJOOW 90C dry and 60C water resistant, CSA -50C SJOOW 90C FT1
Assembly rating	250V, 3 A
<b>Environmental</b>	
Enclosure type rating	IP67, NEMA 6P, 1200 psi (8270 kPa) washdown, IP69K
Temperature rating	-50...+105 °C (-58...+221 °F)

**Cordset Product Selection**

No. of Pins	Material	Wire Size, AWG	Assembly Rating	Color Code	Cat. No. <sup>(1)</sup>			
					Straight Female	Right Angle Female	Straight Male	Right Angle Male
4-pin	ToughLink (TPE)	22	250V, 4 A	A	889D-F4HC-2	889D-R4HC-2	889D-M4HC-2	889D-E4HC-2
	ToughWeld (CPE)	18			889D-F4WE-2	889D-R4WE-2	889D-M4WE-2	889D-E4WE-2
	ToughLink	18			889D-F4HE-2	889D-R4HE-2	889D-M4HE-2	889D-E4HE-2

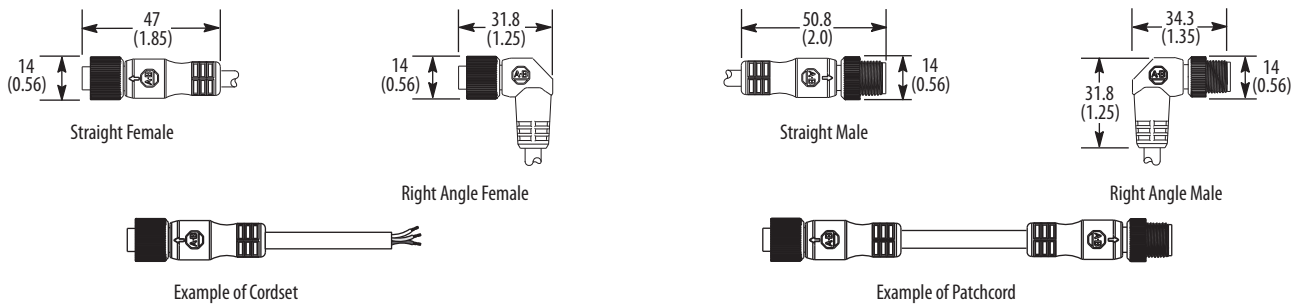
(1) The 2 at the end of the cat. no. is for 2 m cable length. Replace the 2 with 5 (5 m) or 10 (10 m) for standard cable lengths.

**Patchcord Product Selection**

No. of Pins	Material	Wire Size, AWG	Assembly Rating	Color Code	Cat. No. <sup>(1)</sup>			
					Straight Female	Straight Female	Right Angle Female	Right Angle Female
					Straight Male	Right Angle Male	Straight Male	Right Angle Male
4-pin	ToughLink (TPE)	22	250V, 4 A	A	889D-F4HCDM-2	889D-F4HCDE-2	889D-R4HCDM-2	889D-R4HCDE-2
	ToughWeld (CPE)	18			889D-F4WEDM-2	889D-F4WEDE-2	889D-R4WEDM-2	889D-R4WEDE-2
	ToughLink	18			889D-F4HEDM-2	889D-F4HEDE-2	889D-R4HEDM-2	889D-R4HEDE-2

(1) The 2 at the end of the cat. no. is for 2 m cable length. Replace the 2 with OM3 (0.3 m), 1 (1 m), 5 (5 m), or 10 (10 m) for standard cable lengths.

**Approximate Dimensions**



**Pinout and Color Code**

Color Code	Face View Pinout	
	4-pin	
A		

## DC Micro Style, PLTC, 18 and 22 AWG, Gray PVC



4-pin DC Micro Cordset

### Specifications

Attribute	Value
Certifications	UL Recognized and CSA Certified
<b>Mechanical</b>	
Coupling nut material	Epoxy-coated zinc
Housing material	Molded oil-resistant PVC
Contact material	Gold over nickel-plated brass
Cable type	Oil-resistant gray PVC jacket, 18 or 22 AWG conductors, 300V UL Listed and CSA Certified
Bend radius	10x diameter
Cable diameter [mm (in.)]	4/c = 5.5 (0.22) 5/c = 6.1 (0.24) 4/c (18 AWG) = 6.6 (0.25)
<b>Electrical</b>	
Cable rating	UL PLTC AWM Style 2661VW-1 105C 300V, CSA AWM A/B 1/11 80C 300V FT1, UV oil and water resistant
Assembly rating	250V, 4 A
<b>Environmental</b>	
Enclosure type rating	IP67 & IP69K
Temperature rating [C (F)]	-20...+105 ° (-4...+221 °)

**Cordset Product Selection**

No. of Pins	Wire Size, AWG	Cat. No. <sup>(1)</sup>			
		Straight Female (Internal Threads)	Right Angle Female (Internal Threads)	Straight Male w/External Threads	Right Angle Male w/External Threads
2-pin	22	889D-F2GC-2	889D-R2GC-2	889D-M2GC-2	889D-E2GC-2
3-pin		889D-F3GC-2	889D-R3GC-2	889D-M3GC-2	889D-E3GC-2
4-pin		889D-F4GC-2	889D-R4GC-2	889D-M4GC-2	889D-E4GC-2
4-pin	18	889D-F4GE-2	889D-R4GE-2	889D-M4GE-2	889D-E4GE-2
5-pin	22	889D-F5GC-2	889D-R5GC-2	889D-M5GC-2	889D-E5GC-2

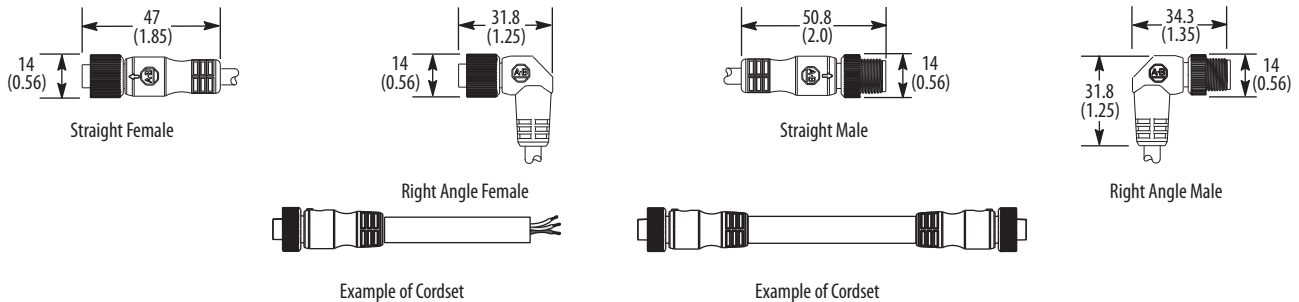
(1) The 2 at the end of the catalog number is for 2 m (6.5 ft) cable length. Replace the 2 with 5 (5 m (16.4 ft)), or 10 (10 m (32.8 ft)) for standard cable lengths.

**Patchcord Product Selection**

No. of Pins	Wire Size, AWG	Cat. No. <sup>(1)</sup>			
		Straight Female Straight Male	Straight Female Right Angle Male	Right Angle Female Straight Male	Right Angle Female Right Angle Male
2-pin	22	889D-F2GCDM-2	889D-F2GCDE-2	889D-R2GCDM-2	889D-R2GCDE-2
3-pin		889D-F3GCDM-2	889D-F3GCDE-2	889D-R3GCDM-2	889D-R3GCDE-2
4-pin		889D-F4GCDM-2	889D-F4GCDE-2	889D-R4GCDM-2	889D-R4GCDE-2
4-pin	18	889D-F4GEDM-2	889D-F4GEDE-2	889D-R4GEDM-2	889D-R4GEDE-2
5-pin	22	889D-F5GCDM-2	889D-F5GCDE-2	889D-R5GCDM-2	889D-R5GCDE-2

(1) The 2 at the end of the catalog number is for 2 m (6.5 ft) cable length. Replace the 2 with 1 (1 m (3.3 ft)), 3 (3 m (9.8 ft)), 5 (5 m (16.4 ft)), or 10 (10 m (32.8 ft)) for standard cable lengths.

**Approximate Dimensions [mm (in.)]**



**Pinout and Color Code**

Color Code	Face View Pinout			
	2-pin	3-pin	4-pin	5-pin
	Female	Male	Female	Male
A	1 Brown 2 NA 3 Blue 4 Black 5 NA	1 Brown 2 NA 3 Blue 4 Black 5 NA	1 Brown 2 White 3 Blue 4 Black 5 NA	1 Brown 2 White 3 Blue 4 Black 5 Gray

## DC Micro Style, 20 & 22 AWG, LED or Coiled



4-pin DC Micro Cordset

### Specifications

Attribute	Value
Certifications	UL Recognized and CSA Certified
<b>Mechanical</b>	
Coupling nut material	Epoxy-coated zinc
Material	Molded oil-resistant PVC
Contact material	Gold over nickel-plated brass
Cable type	Oil-resistant yellow PVC jacket, 20 or 22 AWG stranded copper, 300V, UL Recognized and CSA Certified
Bend radius	10x diameter
Cable diameter [mm (in.)]	LED: 5 (0.2) Coiled: 7.1 (0.28)
<b>Electrical</b>	
Cable rating	LED models: UL AWM style 2661 VW-1 105C 300V, CSA AWM A/B I/II 80C 300V FT1, UV oil and water resistant
Assembly rating	30V, 4 A
<b>Environmental</b>	
Enclosure type rating	IP67, NEMA 6P
Temperature rating [C (F)]	-20...+105 ° (-4...+221 °)



**LED Cordset Product Selection**

No. of Pins	Jacket Material	Wire Size, AWG	Color Code	Output Type LED	Cat. No. <sup>(1)</sup>	
					Straight Female	Right Angle Female
4-pin/3-wire DC micro	Yellow PVC	22	A	PNP	889D-B3AC-2	889D-P3AC-2
				NPN	889D-A3AC-2	889D-N4AC-2
B			PNP	889D-B4AC-2	889D-P4AC-2	
			NPN	889D-A4AC-2	889D-N4AC-2	
4-pin						

(1) The 2 at the end of the catalog number is for a 2 m (6.56 ft) cable length. Replace the 2 with a 5 (5 m) or 10 (10 m) for standard cable lengths.

Change AC to:	For:	
AE	18 AWG	Yellow PVC Cable
AB	24 AWG	Yellow PVC Cable
EC	22 AWG	Yellow PVC, Braided Shield Cable
FC	22 AWG	Yellow PVC, Foil Shield Cable
BC	22 AWG	Black PVC Cable
BB	24 AWG	Black PVC Cable
HJ	18 AWG	TPE Cable
HB	24 AWG	TPE Cable
UC	22 AWG	PUR Cable
UB	24 AWG	PUR Cable
JB	24 AWG	Black PUR Hallogen Free

**Coiled Cordset Product Selection**

Cable	Assembly Rating	Color Code	Cat. No.
No. of Pins			Straight Female
4-pin	20 AWG, 250V, 4 A	A	889D-F4AD-C5F

**Patchcords Product Selection**

No. of Pins		Jacket Material	Wire Size	Color Code	Output Type	Cat. No. <sup>(1)</sup>			
Female	Male					LED	Straight Female Straight Male	Straight Female Right Angle Male	Right Angle Female Straight Male
3-pin	4-pin	Yellow PVC	22 AWG	A	PNP	889D-B3ACDM-2	889D-B3ACDE-2	889D-P3ACDM-2	889D-P3ACDE-2
					NPN	889D-A3ACDM-2	889D-A3ACDE-2	889D-N3ACDM-2	889D-N3ACDE-2
4-pin	4-pin				PNP	889D-B4ACDM-2	889D-B4ACDE-2	889D-P4ACDM-2	889D-P4ACDE-2
					NPN	889D-A4ACDM-2	889D-A4ACDE-2	889D-N4ACDM-2	889D-N4ACDE-2

(1) The 2 at the end of the catalog number is for 2 m (6.56 ft) cable length. Replace the 2 with 5 (5 m) or 10 (10 m) for standard cable lengths.

Change AC to:	For:	
AE	18 AWG	Yellow PVC Cable
AC	22 AWG	Yellow PVC Cable
AB	22 AWG	Yellow PVC Cable
EC	22 AWG	Yellow PVC, Braided Shield Cable
BC	22 AWG	Black PVC Cable
BB	24 AWG	Black PVC Cable
HJ	18 AWG	TPE Cable
HB	24 AWG	TPE Cable
UC	22 AWG	PUR Cable
UB	24 AWG	PUR Cable
JB	24 AWG	Black PUR Hallogen Free

**Patchcords—Threaded Product Selection**

No. of Pins		Jacket Material	Wire Size	Color Code	Output Type	Cat. No. <sup>(1)</sup>			
Female	Male					LED	Straight Female Straight Male	Straight Female Right Angle Male	Right Angle Female Straight Male
4-pin	4-pin	Yellow PVC	22 AWG	A	PNP	889D-B3ABPM-2	889D-B3ABPE-2	889D-P3ABPM-2	889D-P3ABPE-2
					NPN	889D-A3ABPM-2	889D-A3ABPE-2	889D-N3ABPM-2	889D-N3ABPE-2

(1) The 2 at the end of the catalog number is for 2 m cable length. Replace the 2 with 5 (5 m) or 10 (10 m) for standard cable lengths.

Change AB to:	For:	
BB	24 AWG	Black PVC Cable
HB	24 AWG	TPE Cable
UB	24 AWG	PUR Cable
JB	24 AWG	Black PUR Hallogen Free

**Patchcords—Snap On Product Selection**


No. of Pins		Jacket Material	Wire Size	Color Code	Output Type LED	Cat. No. <sup>(1)</sup>			
Female	Male					Straight Female	Straight Female	Right Angle Female	Right Angle Female
						Straight Male	Right Angle Male	Straight Male	Right Angle Male
4-pin	4-pin	Yellow PVC	24 AWG	A	—	889D-B3UBPG-2	889D-B3UBPH-2	889D-P3UBPG-2	889D-P3UBPH-2
						889D-A3UBPG-2	889D-A3UBPH-2	889D-N3UBPG-2	889D-N3UBPH-2

(1) The 2 at the end of the catalog number is for 2 m cable length. Replace the 2 with 5 (5 m) or 10 (10 m) for standard cable lengths.

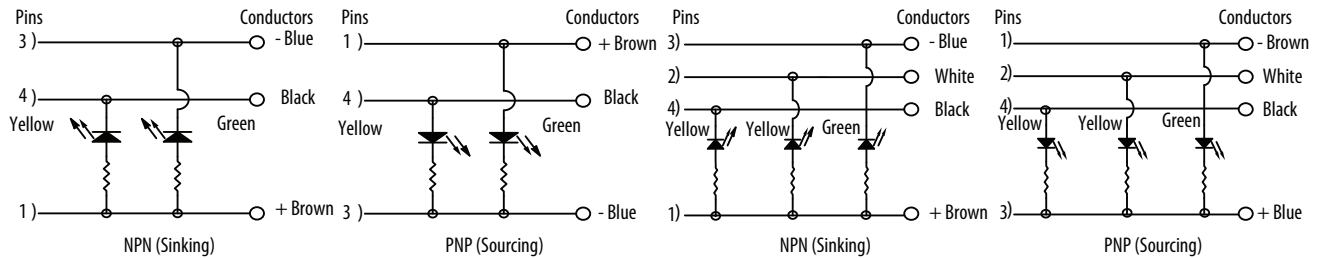
Change UB to:	For:	
JB	24 AWG	Black PUR Hallogen Free

**IMPORTANT** PNP cable used with PNP sensor output. NPN cable used with NPN sensor output.  
Stainless steel models are available by changing 889D to 889DS.

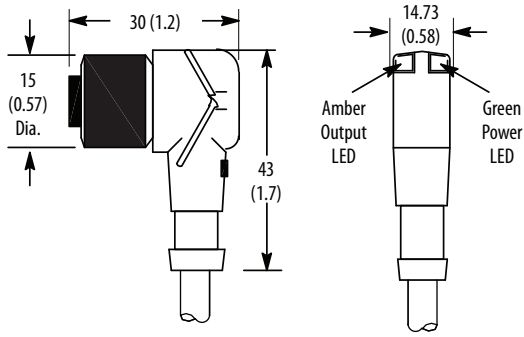
**Pinout and Color Code**

Color Code	Face View Pinout	
	4-pin	
		
A	1 Brown	3 Blue
	2 Not Used	4 Black
B	1 Brown	3 Blue
	2 White	4 Black

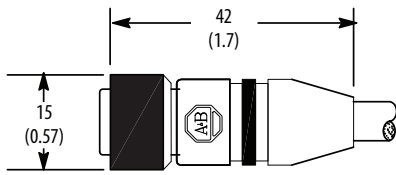
**Wiring Diagrams**



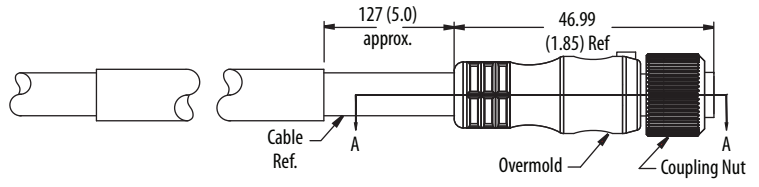
**Approximate Dimensions [mm (in.)]**



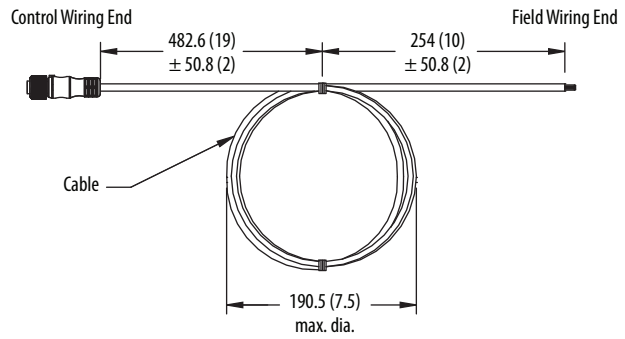
Right Angle Female



Straight Female



Cable Coiling



### DC Micro Style, 24 AWG, Pico to Micro, PVC



DC Micro to Pico Patchcord

#### Specifications

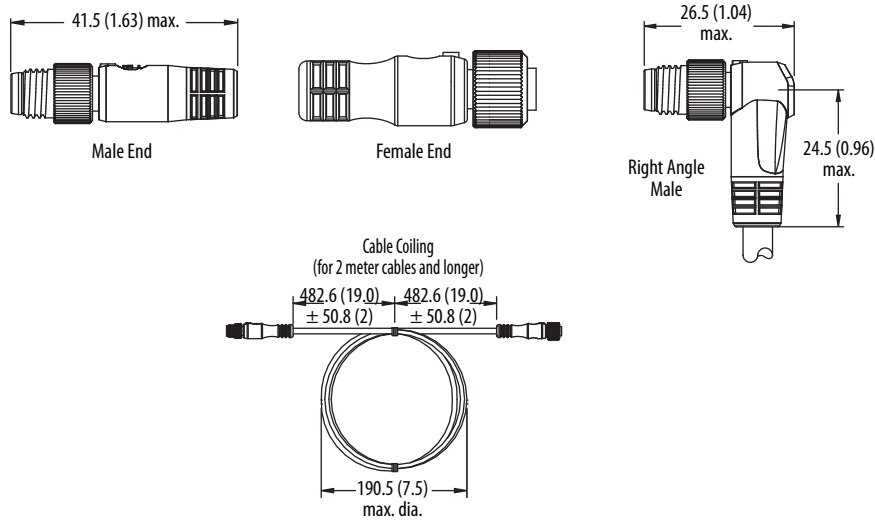
Attribute	Value
Certifications	UL Recognized and CSA Certified
<b>Mechanical</b>	
Coupling nut material	DC Micro: Black epoxy-coated zinc; Pico: Nickel-plated brass
Material	DC Micro: Molded oil-resistant PUR; Pico: Molded oil resistant TPE
Contact material	Gold over nickel-plated brass
Cable type	Oil-resistant yellow PVC jacket, 24 AWG conductors, 300V, UL Recognized and CSA Certified
Cable diameter [mm (in.)]	3/c = 4.6 (0.18) 4/c = 4.6 (0.18)
<b>Electrical</b>	
Cable rating	UL CM AWM style 2661 VW-1 105C 300V, CSA AWM A/B I/II 105C 300V FT1
Assembly rating	60V AC/75V DC, 4 A
<b>Environmental</b>	
Enclosure type rating	Screw-type: IP67; Snap-on type: IP65
Temperature rating	PVC and TPE models: -20...+105 °C (-4...+221 °F) PUR models: -20...+80 °C (-4...+176 °F)

**Patchcord Product Selection**

Style: Female to Male	Pinout	Wire Size, AWG	Assembly Rating	Cat. No. <sup>(1)</sup>			
				Straight Female	Straight Female	Right Angle Female	Right Angle Female
				Straight Male	Right Angle Male	Straight Male	Right Angle Male
3-pin Pico to 4-pin Micro	A	24	60V AC/75V DC, 4 A	889P-F3ABD4M-2	889P-F3ABD4E-2	889P-R3ABD4M-2	889P-R3ABD4E-2
4-pin Pico to 4-pin Micro	B	24	60V AC/75V DC 4 A	889P-F4ABDM-2	889P-F4ABDE-2	—	—
4-pin Micro to 3-pin Pico	C	24	60V AC/75V DC, 4 A	889D-F4ABP3M-2	889D-F4ABP3E-2	889D-R4ABP3M-2	889D-R4ABP3E-2

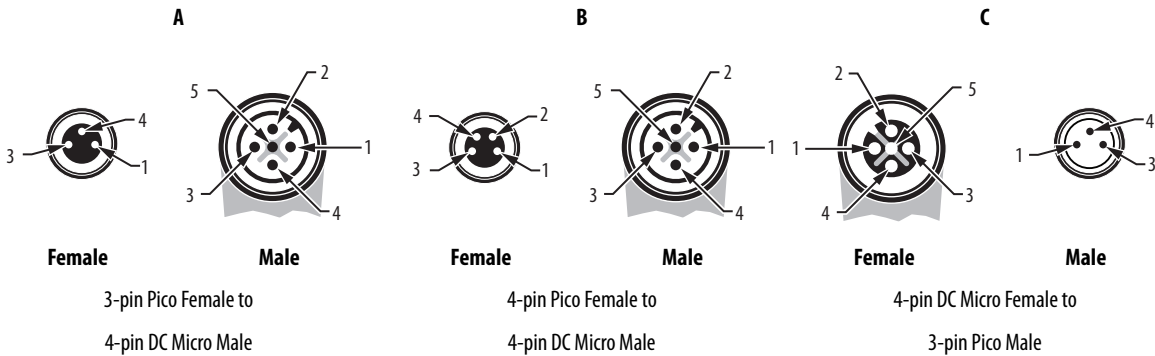
(1) The 2 at the end of the catalog number is for 2 m (6.56 ft) cable length. Replace the 2 with 1 (1 m), 5 (5 m), or 10 (10 m) for standard cable lengths.

**Approximate Dimensions**

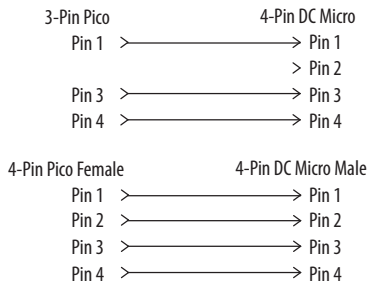


**Pinout**

**Face View Pinout**



**Typical Wiring Diagrams**



## DC Micro Style, 22 AWG, Yellow or Black PVC V-cables



DC Micro V-cable

### Specifications

Attribute	Value
Certifications	UL Recognized and CSA Certified
<b>Mechanical</b>	
Coupling nut material	Epoxy-coated zinc
Connector insert material	Molded oil-resistant PUR
Contact material	Gold over nickel-plated brass
Cable type	Oil-resistant PVC jacket, 22 AWG conductors, 300V
Cable diameter	5 mm (0.21 in.) PVC unshielded
<b>Electrical</b>	
Cable rating	UL AWM style 2661 VW-1 105C 300V, CSA AWM A/B I/II 80C 300V FT1, UV oil and water resistant
Assembly rating	30V, 4 A
<b>Environmental</b>	
Enclosure type rating	IP67, NEMA 6P, 1200 psi (8270 kPa) washdown, IP69K
Temperature rating	-20...+105 °C (-4...+221 °F)

**V-cable Cordset Product Selection**

Type	Jacket Material	Assembly Rating	Cat. No. <sup>(1)</sup>
3-pin to 4-pin			
Standard Wiring	Yellow PVC	250V, 4 A	879D-C3ACD4M-2

(1) The 2 at the end of the catalog number is for 2 m (6.56 ft) cable length. Replace the 2 with 0M3 (0.3 m), 1 (1 m), or 5 (5 m) for standard cable lengths.

**V-cable Patchcord Product Selection**

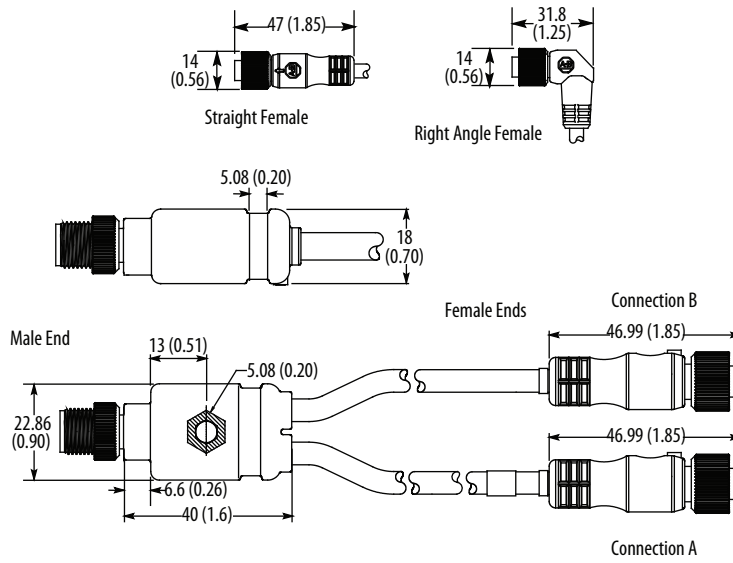
Type	Jacket Material	Assembly Rating	Cat. No. <sup>(1)</sup>	
			Straight Female	Right Angle Female
Standard Wiring	Yellow PVC	250V, 4 A	879D-F4ACDM-2	879D-R4ACDM-2
	Black PVC		879D-F4BCDM-2	879D-R4BCDM-2
Standard Wiring with Pin 5	Yellow PVC		879D-F5ACDM-2	879D-R5ACDM-2
	Black PVC		879D-F5BCDM-2	879D-R5BCDM-2
Individual Power Wiring	Yellow PVC		879D-F4ACD5M-2	879D-R4ACD5M-2
	Black PVC		879D-F4BCD5M-2	879D-R4BCD5M-2
Standard wiring	Yellow Braided PVC		879D-F4ECDM-2	879D-R4ECDM-2
5-pin wiring	Yellow Braided PVC		879D-F5ECDM-2	879D-R5ECDM-2
Mat manager wiring	Yellow PVC		879D-F4ACDM-B2	879D-R4ACDM-B2
Individual power wiring	Yellow Braided PVC		879D-F4ECD5M-2	879D-R4ECD5M-2

(1) The 2 at the end of the catalog number is for 2 m (in.) cable length. Replace the 2 with 0M3 (0.3 m), 1 (1 m), or 5 (5 m) for standard cable lengths.

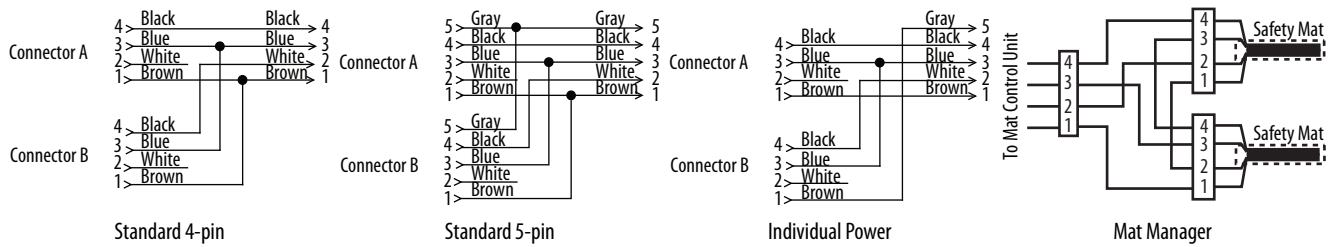
**IMPORTANT** Stainless steel connectors may be ordered by adding an S to the bulletin number, for example, 879DS-F4DM-\*).



**Approximate Dimensions [mm (in.)]**

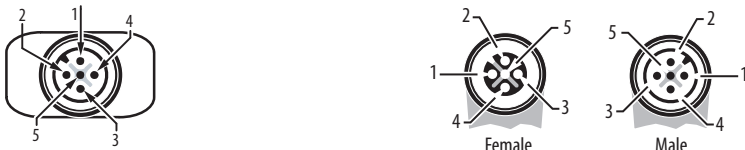


**Wiring Diagrams**



**Pinout**

**Face View Pinout**



## DC Micro Style, V-cable LEDs



DC Micro V-cable

### Specifications

Attribute	Value
Certifications	UL Recognized and CSA Certified
<b>Mechanical</b>	
Coupling nut material	Epoxy-coated zinc
Connector insert material	Molded oil-resistant PUR
Contact material	Gold over nickel-plated brass
Cable type	Oil-resistant PVC jacket, 22 AWG conductors, 300V
Cable diameter	5 mm (0.21 in.) PVC unshielded
<b>Electrical</b>	
Cable rating	UL AWM style 2661 VW-1 105C 300V, CSA AWM A/B I/II 80C 300V FT1, UV oil and water resistant
Assembly rating	30V, 4 A
<b>Environmental</b>	
Enclosure type rating	IP67, NEMA 6P, 1200 psi (8270 kPa) washdown, IP69K
Temperature rating	-20...+105 °C (-4...+221 °F)

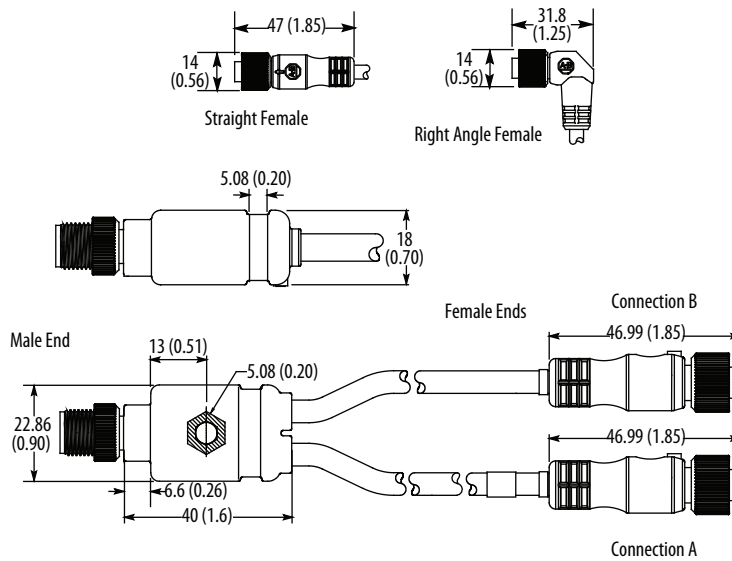
**Product Selection**

Type	Output Type	Wire Size, AWG	Jacket Material	Cat. No. <sup>(1)</sup>	
				Straight Female	Right Angle Female
Standard wiring	PNP	22	Yellow PVC	879D-B4ACDM-2	879D-P4ACDM-2
	NPN			879D-A4ACDM-2	879D-N4ACDM-2
Individual power	PNP			879D-B4ACD5M-2	879D-P4ACD5M-2
	NPN			879D-A4ACD5M-2	879D-N4ACD5M-2

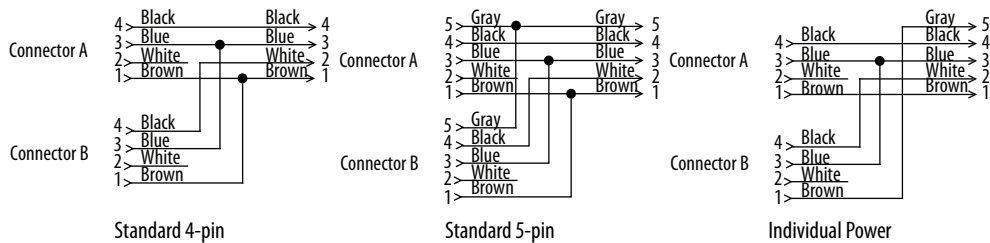
(1) The 2 at the end of the catalog number is for 2 m (6.56 ft) cable length. Replace the 2 with 0M3 (0.3 m), 1 (1 m), or 5 (5 m) for standard cable lengths.

Change AC to:	For:	
EC	22 AWG	Yellow, Braided Cable
BC	22 AWG	Black PVC Cable
AE	18 AWG	Yellow PVC Cable
HJ	18 AWG	Yellow TPE Flex-rated Cable

**Approximate Dimensions [mm (in.)]**



**Wiring Diagrams**



**Pinout**

**Face View Pinout**



## DC Micro Style, V-cables 18 AWG, PVC and TPE



DC Micro V-cable

### Specifications

Attribute	Value
Certifications	UL Recognized and CSA Certified
<b>Mechanical</b>	
Coupling nut material	Epoxy-coated zinc
Connector insert material	Molded oil-resistant PVC
Contact material	Gold over nickel-plated brass
Cable type	Oil-resistant yellow PVC or TPE jacket, 18 AWG conductors, 300V
Cable diameter	PVC: 6.5 mm (0.25 in.) TPE: 7 mm (0.28 in.)
<b>Electrical</b>	
Cable rating	PVC: UL AWM style 2661 VW-1 105C 300V, CSA AWM A/B I/II 80C 300V FT1, UV oil and water resistant TPE: UL AWM style 20327 VW-1 105C 300V, CSA AWM A/B I/II 105C 300V FT1, UV oil and water resistant
Assembly rating	250V, 4 A
<b>Environmental</b>	
Enclosure type rating	IP67, NEMA 6P, 1200 psi (8270 kPa) washdown, IP69K
Temperature rating	-20...+105 °C (-4...+221 °F)

**V-cable Cordset Product Selection**

Type	Jacket Material	Assembly Rating	Cat. No. <sup>(1)</sup>
3-pin to 4-pin			
Standard Wiring	Yellow PVC	250V, 4 A	879D-C3AED4M-2

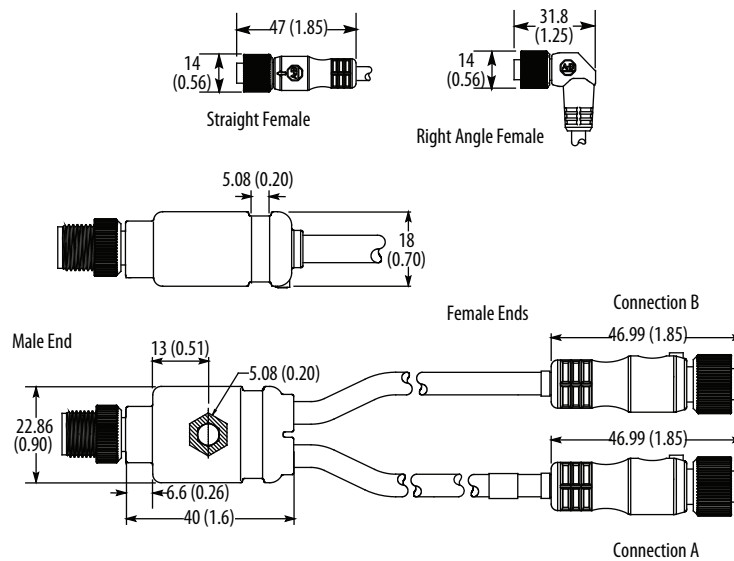
(1) The 2 at the end of the catalog number is for 2 m (6.56 ft) cable length. Replace the 2 with 0M3 (0.3 m), 1 (1 m), or 5 (5 m) for standard cable lengths.

**V-cables Product Selection**

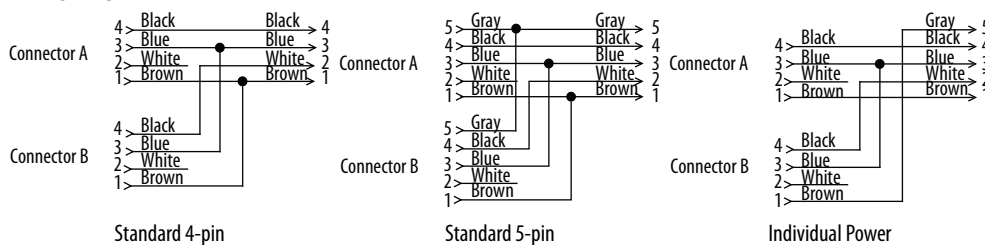
Type	Jacket Material	Assembly Rating	Cat. No. <sup>(1)</sup>	
			Straight Female	Right Angle Female
Standard Wiring	Yellow PVC	250V, 4 A	879D-F4AEDM-2	879D-R4AEDM-2
	Yellow TPE		879D-F4HJDM-2	879D-R4HJDM-2
Individual Power Wiring	Yellow PVC	250V, 4 A	879D-F4AED5M-2	879D-R4AED5M-2
	Yellow TPE		879D-F4HJD5M-2	879D-R4HJD5M-2

(1) The 2 at the end of the catalog number is for 2 m (6.56 ft) cable length. Replace the 2 with 0M3 (0.3 m), 1 (1 m), or 5 (5 m) for standard cable lengths.

**Approximate Dimensions**



**Wiring Diagrams**

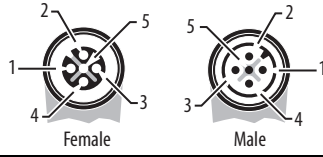
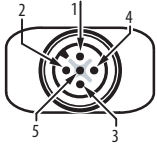


**Pinout**

---

**Face View Pinout**

---



### DC Micro Style, Y-cables 22 AWG, PVC & TPE



DC Micro V-cable

#### Specifications

Attribute	Value
Certifications	UL Recognized and CSA Certified
<b>Mechanical</b>	
Coupling nut material	Epoxy-coated zinc
Connector insert material	Molded oil-resistant PVC
Contact material	Gold over nickel-plated brass
Cable type	Oil-resistant yellow PVC or TPE jacket, 18 AWG conductors, 300V
Cable diameter	PVC: 6.5 mm (0.25 in.) TPE: 7 mm (0.28 in.)
<b>Electrical</b>	
Cable rating	PVC: UL AWM style 2661 VW-1 105C 300V, CSA AWM A/B I/II 80C 300V FT1, UV oil and water resistant TPE: UL AWM style 20327 VW-1 105C 300V, CSA AWM A/B I/II 105C 300V FT1, UV oil and water resistant
Assembly rating	250V, 4 A
<b>Environmental</b>	
Enclosure type rating	IP67, NEMA 6P, 1200 psi (8270 kPa) washdown, IP69K
Temperature rating	-20...+105 °C (-4...+221 °F)

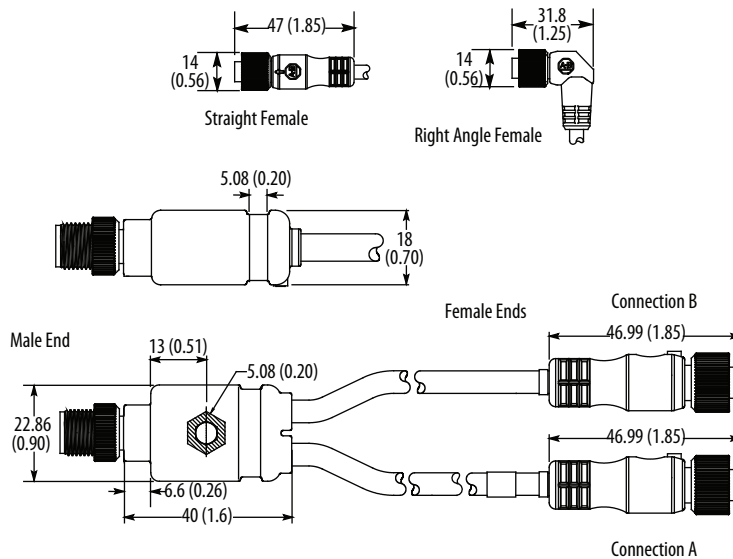
**Product Selection**

Type	Jacket Material	Connector End	Pigtail	Cat. No. <sup>(1)(2)(3)</sup>
Standard wiring	Yellow PVC	Straight Female	Straight Male	879D-F4ACT1M-2
			Right Angle Male	879D-F4ACT1E-2
		Right Angle Female	Straight Male	879D-R4ACT1M-2
			Right Angle Male	879D-R4ACT1E-2
5-pin wiring	Yellow PVC	Straight Female	Straight Male	879D-F5ACT1M-2
			Straight Male	879D-F5ACT1E-2
		Right Angle Female	Straight Male	879D-R5ACT1M-2
			Right Angle Male	879D-R5ACT1E-2
Individual power wiring	Yellow Braided PVC	Straight Female	Straight Male	879D-F5AC5T1M-2
			Straight Male	879D-F5AC5T1E-2
		Right Angle Female	Straight Male	879D-R5AC5T1M-2
			Right Angle Male	879D-R5AC5T1E-2

- (1) The 2 at the end of the catalog number is for 2 m (6.56 ft) cable length. Replace the 2 with 0M3 (0.3 m), 1 (1 m), or 5 (5 m) for standard cable lengths.
- (2) The 1 represents the Y-cable extension. Replace the 1 with 0M3 (0.3 m), 2 (2 m), 5 (5 m), or 10 (10 m) for standard Y-cable lengths.
- (3) See table below.

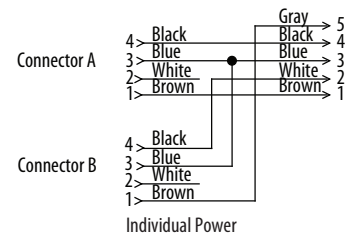
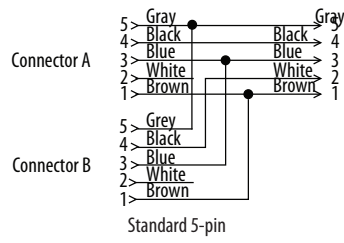
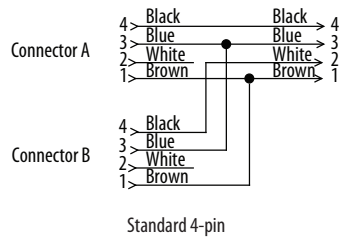
<sup>(3)</sup> Change AC to:	For:	
EC	22 AWG	Yellow, Braided OVC Cable
BC	22 AWG	Black PVC Cable
AE	18 AWG	Yellow PVC Cable
HJ	18 AWG	Yellow TPE Flex-rated Cable

**Approximate Dimensions [mm (in.)]**





**Wiring Diagrams**



## DC Micro Style Splitters Standard Individual Power and Tap-Style Wiring

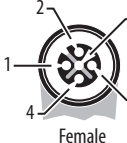
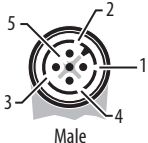


Splitter, DC Micro

### Specifications

Attribute	Value
Certifications	UL Recognized and CSA Certified
<b>Mechanical</b>	
Coupling nut material	Black epoxy-coated zinc
Connector insert material	PUR
Contact material	Gold over nickel-plated brass
O-ring material	Viton®
<b>Electrical</b>	
Assembly rating	250V, 4 A
<b>Environmental</b>	
Enclosure type rating	IP67, NEMA 6P, 1200 psi (8270 kPa) washdown
Temperature rating	-20...+105 °C (-4...+221 °F)

### Pinout

Face View Pinout 4-pin		
Color Code		
	Female	Male
A	1 Brown 2 White	3 Blue 4 Black

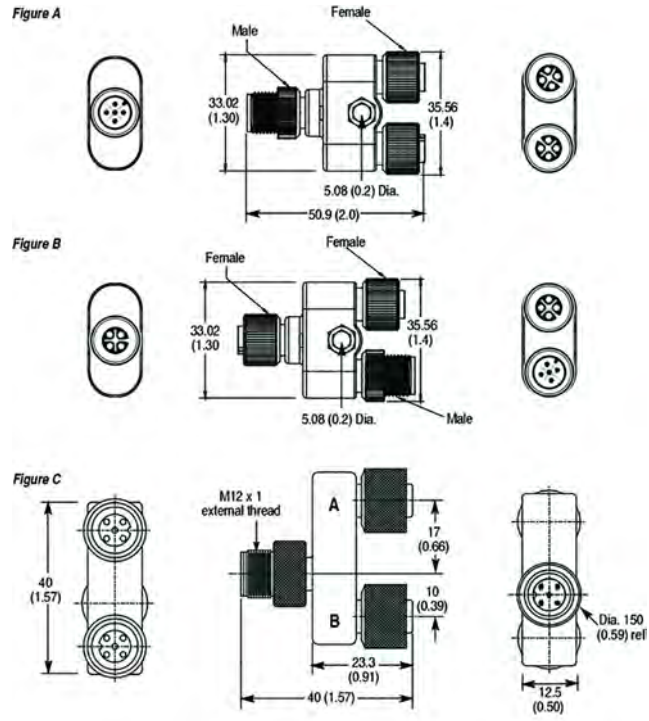
**Product Selection**

Connector Style	Wiring Diagram	Assembly Rating	Dimensions	Cat. No.
Standard Wiring (without pin 5)		250V, 4 A	Fig. A	879D-F4DM
Standard Wiring (with pin 5)		250V, 4 A	Fig. C	879D-F5DM
Standard Wiring (with pin 5) for MDSA		250V, 4 A	Fig. C	898D-53PY-D5 <sup>(1)</sup>
Individual Power Wiring		250V, 4 A	Fig. A	879D-F4D5M
Tap-Style Wiring		250V, 4 A	Fig. A	1485P-RDR5
		250V, 4 A	Fig. B	1485P-DRR5

(1) This model ships with nickel-plated brass coupling nuts and is not available in stainless steel version.

**IMPORTANT** Stainless steel connectors may be ordered by adding an S to the bulletin number, for example 879DS-F4DM-\*

Approximate Dimensions [mm (in.)]



**DC Micro Style Receptacles, 18 & 22 AWG, 1/2 NPT, 1/4 NPT, M14, Rear-mount, or PG9 Mounting Threads**



DC Micro Female Receptacle

**Specifications**

Attribute	Value
<b>Mechanical</b>	
Receptacle shell material	Black anodized machined nickel
Connector insert material	Nylon or TPU
Contact material	Gold over nickel-plated brass
Cable type	Oil-resistant PVC, 18 or 22 AWG stranded copper, 300V, UL Recognized and CSA Certified
<b>Electrical</b>	
Assembly rating	250V, 4 A 8-pin: 300V, 1.5A
<b>Environmental</b>	
Enclosure type rating	NEMA 1, 3, 4, 6P and IEC IP68
Operating temperature	-40...+105 °C (-40...+221 °F)
O-ring Material	Buna-N

**Mating Components & Accessories**

Description <sup>(1)</sup>	Cat. No.
1/2 inch 14 NPT mounting nut	889A-U1NUT-10
1/2 inch 14 NPT flat sealing washer	889A-U1FSL-10

(1) Sold in bags of 10.

**22 AWG Receptacles Product Selection**

No. of Pins	Assembly Rating [AWG]	Drawing	Panel Mount Threads	Cat. No.	
				Female	Male
3-pin	250V, 4 A	A	1/4 inch-18 NPT	888D-F3AC2-1 <sup>(1)</sup>	—
		C	1/2 inch-14 NPT	888D-F3AC1-1	888D-M3AC1-1 <sup>(1)</sup>
		B	M14 x 1	888D-F3AC6-1	888D-M3AC6-1 <sup>(1)</sup>
		D	Rear Mount PG 9	888D-F3AC5-1 <sup>(2)</sup>	888D-M3AC5-1 <sup>(2)</sup>
4-pin	250V, 4 A	A	1/4 inch-18 NPT	888D-F4AC2-1 <sup>(1)</sup>	
		C	1/2 inch-14 NPT	888D-F4AC1-1	888D-M4AC1-1 <sup>(1)</sup>
		B	M14 x 1	888D-F4AC6-1	888D-M4AC6-1 <sup>(1)</sup>
		D	Rear Mount PG 9	888D-F4AC5-1 <sup>(2)</sup>	888D-M4AC5-1 <sup>(2)</sup>
5-pin	250V, 4 A	C	1/2 inch-14 NPT	888D-F5AC1-1 <sup>(1)</sup>	888D-M5AC1-1 <sup>(1)</sup>
		B	M14 x 1	888D-F5AC6-1 <sup>(1)</sup>	888D-M5AC6-1 <sup>(1)</sup>
		D	Rear Mount PG 9	888D-F5AC5-1 <sup>(2)</sup>	888D-M5AC5-1 <sup>(2)</sup>
8-pin	24 AWG, 300V, 2.0 A	E	PG 9	888D-F8AB3-1 <sup>(1)</sup>	888D-M8AB3-1 <sup>(1)</sup>

(1) The 1 at the end of the catalog number is for 1 m (3.28 ft) cable length. Replace the 1 with OM3 (0.3 m) for standard cable lengths.

(2) The 1 at the end of the catalog number is for 1 m (3.28 ft) cable length. Replace the 1 with OM5 (0.5 m) for standard cable lengths.

**18 AWG Receptacles Product Selection**

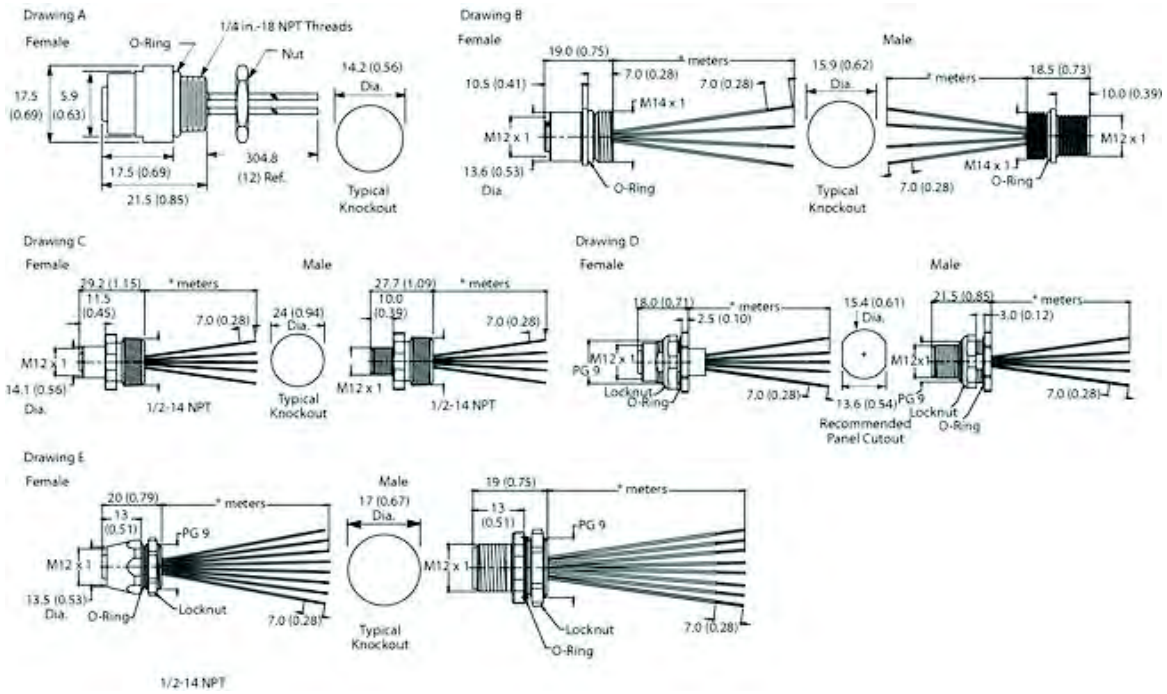
No. of Pins	Assembly Rating [AWG]	Drawing	Panel Mount Threads	Cat. No.	
				Female	Male
4-pin	250V, 4 A	C	1/2 inch-14 NPT	888D-F4AE1-1 <sup>(1)</sup>	888D-M4AE1-1 <sup>(1)</sup>
		D	Rear Mount PG9	888D-F4AE5-1 <sup>(2)</sup>	888D-M4AE5-1 <sup>(2)</sup>
5-pin		C	1/2 inch-14 NPT	888D-F5AE1-1 <sup>(1)</sup>	888D-M5AE1-1 <sup>(1)</sup>

(1) The 1 at the end of the catalog number is for 1 m (3.28 ft) cable length. Replace the 1 with OM3 (0.3 m) for standard cable lengths.

(2) The 1 at the end of the catalog number is for 1 m (3.28 ft) cable length. Replace the 1 with OM5 (0.5 m) for standard cable lengths.

**IMPORTANT** The 1/2 inch NPT mounting threads model mounting nuts and flat sealing washers are sold separately.

**Approximate Dimensions**



**Pinout and Color Code**

Color Code	Face View Pinout			
	3-pin	4-pin	5-pin	8-pin
	<b>Female</b>	<b>Male</b>	<b>Female</b>	<b>Male</b>
A	1 Brown 2 N/C 3 Blue 4 Black	1 Brown 2 White 3 Blue 4 Black	1 Brown 2 White 3 Blue 4 Black 5 Gray	White Brown Green Yellow Gray Pink Blue Red

## DC Micro Style Terminal Chambers



DC Micro Female

### Specifications

Attribute	Value
<b>Mechanical</b>	
Coupling nut material	Nickel-plated brass
Connector shell material	PBT, except embedded thermistor models: Nylon
Contact material	Gold-plated palladium nickel
Cable diameter	18 AWG (0.75 mm <sup>2</sup> ) max
<b>Electrical</b>	
Assembly rating	4- or 5-pin: 250V, 4 A 8-pin: 60V, 2 A
<b>Environmental</b>	
Enclosure type rating	IP67
Operating temperature	-40...88 °C (-40...185 °F)

### Pinout

Face View Pinout			
4-pin	5-pin	8-pin	
Female	Male	Female	Male



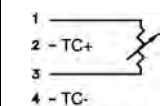
**Single-cable Model Terminal Chambers Product Selection**

No. of Pins	Cable Jacket Diameter [mm (in.)]	Assembly Rating	Rear Nut Thread Size	Cat. No.			
				Straight Female	Right Angle Female	Straight Male	Right Angle Male
4-Pin	4.0...6.0 (0.16...0.24)	250V, 4 A	PG 7	871A-TS4-D	871A-TR4-D	871A-TS4-DM	871A-TR4-DM
	6.0...8.0 (0.24...0.32)		PG 9	871A-TS4-D1	871A-TR4-D1	871A-TS4-DM1	871A-TR4-DM1
5-Pin	4.0...6.0 (0.16...0.24)		PG 7	871A-TS5-D	871A-TR5-D	871A-TS5-DM	871A-TR5-DM
	6.0...8.0 (0.24...0.32)		PG 9	871A-TS5-D1	871A-TR5-D1	871A-TS5-DM1	871A-TR5-DM1
8-Pin	6.0...8.0 (0.24...0.32)	60V, 2 A	PG 9	871A-TS8-D1	—	871A-TS8-DM1	—

**Dual-cable Model Terminal Chambers Product Selection**

No. of Pins	Cable Jacket Diameter [mm (in.)]	Assembly Rating	Rear Nut Thread Size	Cat. No.	
				Straight Male	Right Angle Male
4-Pin	Two cables 2.1...3.0 (0.08...0.12) or 3.5...5.2 (0.14...0.21)	250V, 4 A	PG 9	871A-VS4-DM	871A-VR4-DM
5-Pin				871A-VS5-DM	871A-VR5-DM

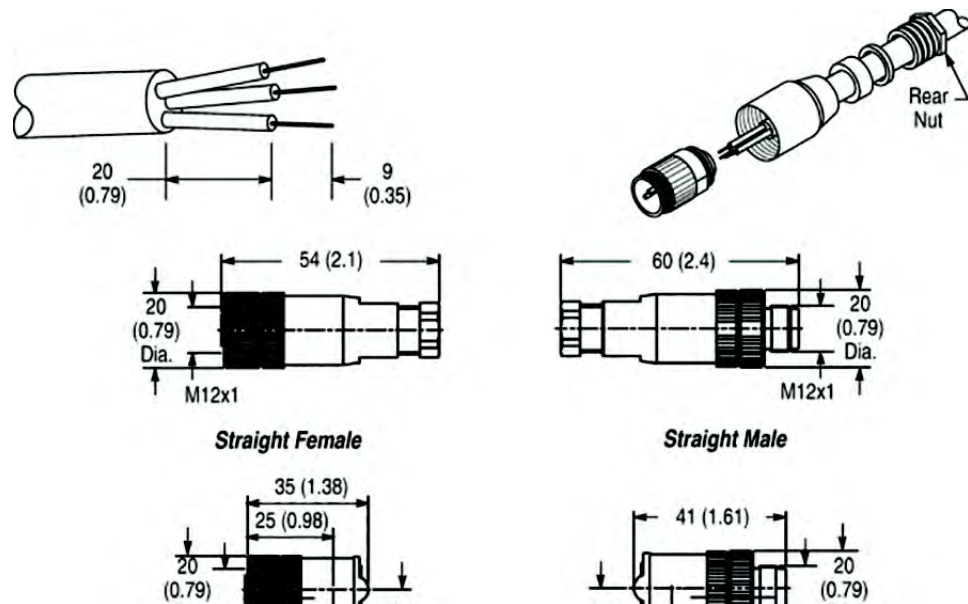
**Embedded Thermistor Terminal Chambers Product Selection**

No. of Pins	Cable Jacket Diameter [mm (in.)]	Assembly Rating	Wiring Diagram	Cat. No. <sup>(1)</sup>	
				Straight Male	Right Angle Male
4-Pin	3.0...6.5 (0.12...0.26)	250V, 4 A		871A-TS4CJC-DM	871A-TR4CJC-DM

(1) The standard for this model is nickel-plated brass coupling nuts and is not available in stainless steel.

**IMPORTANT** For stainless steel coupling nuts, add an S to the bulletin number, for example, 871AS-TS4-DM).

**Approximate Dimensions [mm (in.)]**



## DC Micro Style Field Attachable Insulation Displacement Connector



DC Micro Male

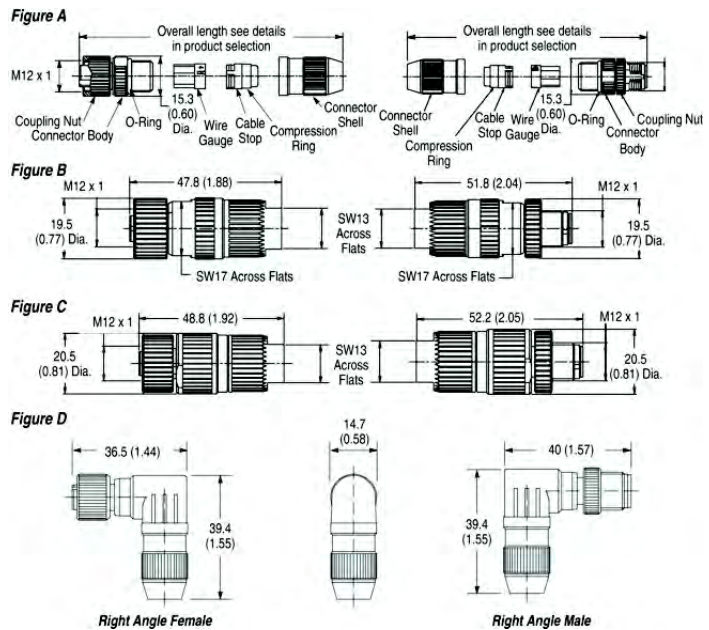
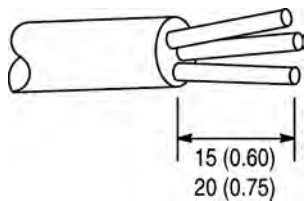
### Specifications

Attribute	Value
<b>Mechanical</b>	
Coupling nut material	Zinc die-cast
Connector shell material	Zinc die-cast or polyamide
Contact material	Gold-plated palladium nickel
IDC installations	10 max
Cable diameter	26...22 AWG, 20 AWG: 1.0...1.6 mm (0.039...0.063 in.) 24...22 AWG, 22...18 AWG: 1.6...2.0 mm (0.063...0.079 in.)
<b>Electrical</b>	
Assembly rating	32V, 4 A 50V, 6 A
<b>Environmental</b>	
Enclosure type rating	IP67
Operating temperature	-25...85 °C (-13...185 °F)
Installation temperature	-5...50 °C (23...185 °F)

**Product Selection**

No. of Pins	Connector Body	Dimension Figures	Cable diameter [mm (in.)]	Wire Size, AWG	Assembly Rating	Cat. No.			
						Straight Female	Straight Male	Right Angle Female	Right Angle Male
4-Pin	Polyamide Small body unshielded	A & D	4.0...5.1 (0.16...0.20)	26...22	32V 4 A	889D-F4DC-H	889D-M4DC-H	889D-R4DC-H	889D-E4DC-H
	Zinc die?cast Large body shielded	B	7.0...8.8 (0.28...0.35)	24...22	32V 4 A	889D-F4DC-SH	889D-M4DC-SH	—	—
	Polyamide Large body unshielded	C	5.5...8.0 (0.22...0.31)	22...18	50V 6 A	889D-F4CE-H	889D-M4CE-H	—	—
3-pin	Polyamide Small body unshielded	A & D	4.0...5.1 (0.16...0.20)	26...22	32V, 4 A	889D-F3DC-H	889D-M3DC-H	889D-R3DC-H	889D-E3DC-H

**Approximate Dimensions [mm (in.)]**



**Pinout**

Face View Pinout	
4-pin	5-pin
<b>Female</b>	<b>Male</b>

## DC Micro Style Bulkhead Pass-Thru



DC Micro Bulkhead Pass-thru

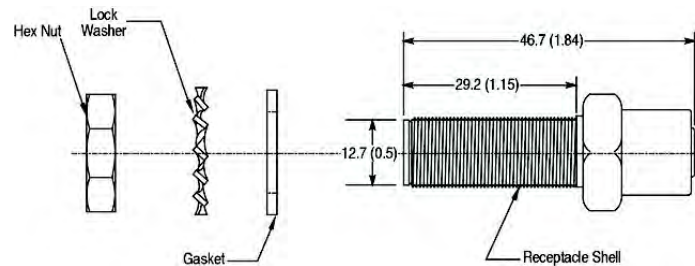
### Specifications

Attribute	Value
Certifications	UL Recognized and CSA Certified
<b>Mechanical</b>	
Shell and Locknut Material	Nickel-plated brass
Connector insert material	Nylon
Gasket material	Neoprene
Thrust Washer	Steel alloy
Contact material	Gold-plated palladium nickel
Typical Knockout	12.7 mm (0.50 in.)
<b>Environmental</b>	
Enclosure type rating	IP67
Operating temperature	-20...+80 °C (-4...+176 °F)

### Product Selection

Face View of Female	Assembly Rating	Face View of Male	Cat. No.
	250V, 4 A		1485A-CXR5-D5

### Approximate Dimensions [mm (in.)]



### AC Micro Style, 18 or 22 AWG, PVC



3-pin AC Micro Cordset

#### Specifications

Attribute	Value
Certifications	UL Recognized and CSA Certified
<b>Mechanical</b>	
Coupling nut material	Epoxy-coated zinc
Connector material	Molded oil-resistant polyurethane
Contact material	Gold over nickel-plated brass
Cable type	Oil-resistant yellow PVC jacket, 18 or 22 AWG conductors, 300V
Bend radius	10x diameter
Cable diameter	3/c (22 AWG) = 6.7 mm (0.26 in.) 3/c (18 AWG) = 6.7 mm (0.26 in.) 4/c (18 AWG) = 6.7 mm (0.26 in.) 4/c (22 AWG) = 6.7 mm (0.26 in.) 5/c (18 AWG) = 7.5 mm (0.30 in.) 6/c (22 AWG) = 6.7 mm (0.26 in.)
Braiding	Shield aluminum mylar stranding 26 x #36 (AWG) (Braided cable models only)
<b>Electrical</b>	
Cable rating	UL AWM style 2661 VW-1 105C 300V, CSA AWM A/B I/II 80C 300V FT1, UV oil and water resistant
Assembly rating	250V, 4 A
<b>Environmental</b>	
Enclosure type rating	IP67, IP69K
Temperature rating	-20...+105 °C (-4...221 °F)

**Cordset Product Selection**

No. of Pins	Assembly Rating	Color Code	Cat. No. <sup>(1)</sup>			
			Straight Female	Right Angle Female	Straight Male	Right Angle Male
3-pin	Braided 22 AWG, 250V, 4 A	A	889R-F3ECA-2	889R-R3ECA-2	889R-M3ECA-2	889R-E3ECA-2
	18 AWG, 250V, 4 A		889R-F3AEA-2	889R-R3AEA-2	889R-M3AEA-2	889R-E3AEA-2
4-Pin	Braided 22 AWG, 250V, 4 A		889R-F4ECA-2	889R-R4ECA-2	889R-M4ECA-2	889R-E4ECA-2
	18 AWG, 250V, 4 A		889R-F4AEA-2	889R-R4AEA-2	889R-M4AEA-2	889R-E4AEA-2
5-Pin	Braided 22 AWG, 250V, 4 A		889R-F5ECA-2	889R-R5ECA-2	889R-M5ECA-2	889R-E5ECA-2
	18 AWG, 250V, 4 A		889R-F5AEA-2	889R-R5AEA-2	889R-M5AEA-2	889R-E5AEA-2
6-Pin	Braided 22 AWG, 250V, 4 A		889R-F6ECA-2	889R-R6ECA-2	889R-M6ECA-2	889R-E6ECA-2

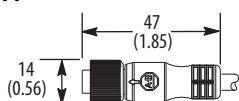
(1) The 2 at the end of the catalog number is for 2 m (6.5 ft) cable length. Replace the 2 with 5 (5 m) or 10 (10 m) for standard cable lengths.

**Patchcord Product Selection**

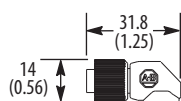
No. of Pins	Assembly Rating	Color Code	Cat. No. <sup>(1)</sup>			
			Straight Female	Straight Female	Right Angle Female	Right Angle Female
			Straight Male	Right Angle Male	Straight Male	Right Angle Male
3-pin	Braided 22 AWG, 250V, 4 A	A	889R-F3ECRM-2	889R-F3ECRE-2	889R-R3ECRM-2	889R-R3ECRE-2
	18 AWG, 250V, 4 A		889R-F3AERM-2	889R-F3AERE-2	889R-R3AERM-2	889R-R3AERE-2
4-Pin	Braided 22 AWG, 250V, 4 A		889R-F4ECRM-2	889R-F4ECRE-2	889R-R4ECRM-2	889R-R4ECRE-2
	18 AWG, 250V, 4 A		889R-F4AERM-2	889R-F4AERE-2	889R-R4AERM-2	889R-R4AERE-2
5-Pin	Braided 22 AWG, 250V, 4 A		889R-F5ECRM-2	889R-F5ECRE-2	889R-R5ECRM-2	889R-R5ECRE-2
	18 AWG, 250V, 4 A		889R-F5AERM-2	889R-F5AERE-2	889R-R5AERM-2	889R-R5AERE-2
6-Pin	Braided 22 AWG, 250V, 4 A		889R-F6ECRM-2	889R-F6ECRE-2	889R-R6ECRM-2	889R-R6ECRE-2

(1) The 2 at the end of the catalog number is for 2 m (6.5 ft) cable length. Replace the 2 with 5 (5 m) or 10 (10 m) for standard cable lengths.

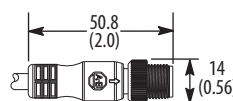
**Approximate Dimensions**



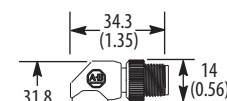
Straight Female



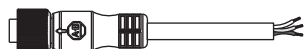
Right Angle Female



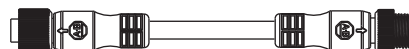
Straight Male



Right Angle Male



Example of Cordset



Example of Patchcord

**Pinout and Color Code**

		Face View Pinout							
		3-pin		4-pin		5-pin		6-pin	
Color Code									
		Female	Male	Female	Male	Female	Male	Female	Male
A		1 Green (GND) 2 Red/Black Tr. 3 Red/White Tr.		1 Red/Black Tr. 2 Red/White Tr.	3 Red 4 Green (GND)	1 Red/White Tr 2 Red 3 Green	4 Red/Yellow Tr. 5 Red/Black Tr.	1 Red/White Tr. 2 Red 3 Green	4 Red/Yellow Tr. 5 Red/Black Tr. 6 Red/Blue Tr.

### AC Micro Style, 18 AWG, ToughWeld™



3-pin AC Micro Cordset

#### Specifications

Attribute	Value
Certifications	UL Recognized and CSA Certified
<b>Mechanical</b>	
Coupling nut material	Epoxy-coated zinc
Connector material	Molded oil-resistant polyurethane
Contact material	Gold over nickel-plated brass
Cable type	Oil-resistant yellow TPE jacket, 18 AWG stranded copper, cable voltage = 300V
Bend radius	10x diameter
Cable diameter	9 mm (0.35 in.)
<b>Electrical</b>	
Cable rating	UL -50C SJOOW 90C dry and 60C water resistant, CSA -50C SJOOW 90C FT1
Assembly rating	250V, 3 A
<b>Environmental</b>	
Enclosure type rating	IP67, IP69K
Temperature rating	-50...+105 °C (-58...+221 °F)

**Cordset Product Selection**

No. of Pins	Assembly Rating	Material	Color Code	Cat. No. <sup>(1)</sup>			
				Straight Female	Right Angle Female	Straight Male	Right Angle Male
3-pin	18 AWG, 250V, 4 A	ToughWeld	A	889R-F3WEC-2	889R-R3WEC-2	889R-M3WEC-2	889R-E3WEC-2
4-Pin	18 AWG, 250V, 4 A	ToughWeld	A	889R-F4WEC-2	889R-R4WEC-2	889R-M4WEC-2	889R-E4WEC-2
5-Pin	18 AWG, 250V, 4 A	ToughWeld	A	889R-F5WEC-2	889R-R5WEC-2	889R-M5WEC-2	889R-E5WEC-2
3-pin	18 AWG, 250V, 4 A	ToughLink	A	889R-F3HEA-2	889R-R3HEA-2	889R-M3HEA-2	889R-E3HEA-2
4-Pin	18 AWG, 250V, 4 A	ToughLink	A	889R-F4HEA-2	889R-R4HEA-2	889R-M4HEA-2	889R-E4HEA-2

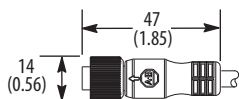
(1) The 2 at the end of the cat. no. is for 2 m cable length. Replace the 2 with 5 (5 m) or 10 (10 m) for standard cable lengths.

**Patchcord Product Selection**

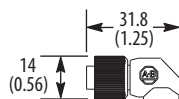
No. of Pins	Assembly Rating	Material	Color Code	Cat. No. <sup>(1)</sup>			
				Straight Female Straight Male	Straight Female Right Angle Male	Right Angle Female Straight Male	Right Angle Female Right Angle Male
3-pin	18 AWG, 250V, 4 A	ToughWeld	A	889R-F3WERM-3F	889R-F3WERE-3F	889R-R3WERM-3F	889R-R3WERE-3F
4-Pin	18 AWG, 250V, 4 A	ToughWeld	A	889R-F4WERM-3F	889R-F4WERE-3F	889R-R4WERM-3F	889R-R4WERE-3F
5-Pin	18 AWG, 250V, 4 A	ToughWeld	A	889R-F5WERM-3F	889R-F5WERE-3F	889R-R5WERM-3F	889R-R5WERE-3F
3-pin	18 AWG, 250V, 4 A	ToughLink	A	889R-F3HERM-3F	889R-F3HERE-3F	889R-R3HERM-3F	889R-R3HERE-3F
4-Pin	18 AWG, 250V, 4 A	ToughLink	A	889R-F4HERM-3F	889R-F4HERE-3F	889R-R4HERM-3F	889R-R4HERE-3F

(1) The 2 at the end of the cat. no. is for 2 m cable length. Replace the 2 with 5 (5 m) or 10 (10 m) for standard cable lengths.

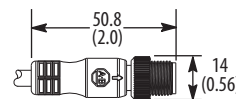
**Approximate Dimensions [mm (in.)]**



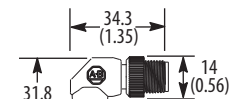
Straight Female



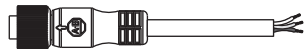
Right Angle Female



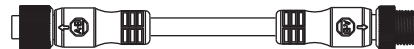
Straight Male



Right Angle Male



Example of Cordset



Example of Patchcord

**Pinout and Color Code**

Color Code	Face View Pinout
	3-pin
A	<p>1 Green 2 Red/Black Tr. 3 Red/White Tr.</p>



### AC Micro Style, 18 AWG, Yellow PUR & TPE (flex rated)



3-pin AC Micro Cordset

#### Specifications

Attribute	Value
Certifications	UL Recognized and CSA Certified
<b>Mechanical</b>	
Material	Molding oil-resistant PVC
Contact material	Gold over nickel-lated brass
Cable type	Unshielded, oil, water, and UV resistant
Cable diameter [mm (in.)]	3/c TPE 6.0 (0.24) 3/c PUR 6.6 (0.26) 4/c TPE 6.6 (0.26) 4/c PUR 6.6 (0.26) 5/c TPE 7.7 (0.30) 5/c PUR 7.7 (0.30)
<b>Electrical</b>	
Cable rating	UL AWM, UV, oil and water resistant, 18 AWG
Assembly rating	250V, 4 A
<b>Environmental</b>	
Enclosure type rating	IP67, IP69K

**Cordset Product Selection**

No. of Pins	Cable rating	Temperature rating [C (F)]	Jacket Material	Cat. No. <sup>(1)</sup>			
				Straight Female	Right Angle Female	Straight Male	Right Angle Male
3-pin	Flex rated to 5 million cycles	-20...+80° (-4...+105)	Yellow PUR	889R-F3UEA-2	889R-R3UEA-2	889R-M3UEA-2	889R-E3ECA-2
	Flex rated to 10 million cycles	-50...+105° (-58...+221)	Yellow TPE	889R-F3HJA-2	889R-R3HJA-2	889R-M3HJA-2	889R-E3AEA-2
4-Pin	Flex rated to 5 million cycles	-20...+80° (-4...+105)	Yellow PUR	889R-F4UEA-2	889R-R4UEA-2	889R-M4UEA-2	889R-E4ECA-2
	Flex rated to 10 million cycles	-50...+105° (-58...+221)	Yellow TPE	889R-F4HJA-2	889R-R4HJA-2	889R-M4HJA-2	889R-E4AEA-2
5-Pin	Flex rated to 5 million cycles	-20...+80° (-4...+105)	Yellow PUR	889R-F5UEA-2	889R-R5UEA-2	889R-M5UEA-2	889R-E5ECA-2
	Flex rated to 10 million cycles	-50...+105° (-58...+221)	Yellow TPE	889R-F5HJA-2	889R-R5HJA-2	889R-M5HJA-2	889R-E5AEA-2

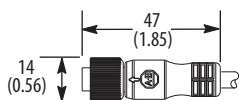
(1) The 2 at the end of the cat. no. is for 2 m cable length. Replace the 2 with 5 (5 m) or 10 (10 m) for standard cable lengths.

**Patchcord Product Selection**

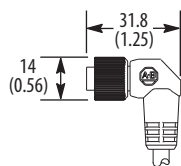
No. of Pins	Cable rating	Temperature rating [C (F)]	Jacket Material	Cat. No. <sup>(1)</sup>			
				Straight Female Straight Male	Straight Female Right Angle Male	Right Angle Female Straight Male	Right Angle Female Right Angle Male
3-pin	Flex rated to 5 million cycles	-20...+80° (-4...+176)	Yellow PUR	889R-F3UERM-2	889R-R3UERE-2	889R-R3UERM-2	889R-R3UERE-2
	Flex rated to 10 million cycles	-50...+105° (-58...+221)	Yellow TPE	889R-F3HJRM-2	889R-F3HJRE-2	889R-R3HJRM-2	889R-R3HJRE-2
4-Pin	Flex rated to 5 million cycles	-20...+80° (-4...+176)	Yellow PUR	889R-F4UERM-2	889R-F4UERE-2	889R-R4HJRM-2	889R-R4UERE-2
	Flex rated to 10 million cycles	-50...+105° (-58...+221)	Yellow TPE	889R-F4HJRM-2	889R-F4HJRE-2	889R-R4HJRM-2	889R-R4HJRE-2
5-Pin	Flex rated to 10 million cycles	-50...+105° (-58...+221)	Yellow TPE	889R-F5UERM-2	889R-F5UERE-2	889R-R5HJRM-2	889R-R5UERE-2
	Flex rated to 5 million cycles	-20...+80° (-4...+176)	Yellow PUR	889R-F5HJRM-2	889R-F5HJRE-2	889R-R5HJRM-2	889R-R5HJRE-2

(1) The 2 at the end of the cat. no. is for 2 m cable length. Replace the 2 with OM3 (0.3 m), 1 (1 m), 3 (3 m), 5 (5 m), or 10 (10 m) for standard lengths.

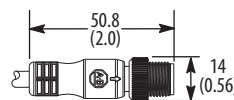
**Approximate Dimensions [mm (in.)]**



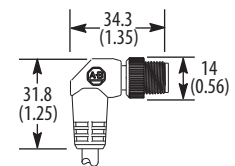
Straight Female



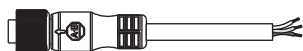
Right Angle Female



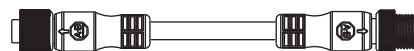
Straight Male



Right Angle Male

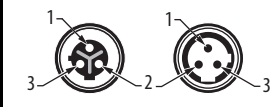
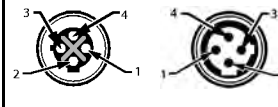
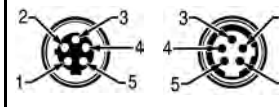
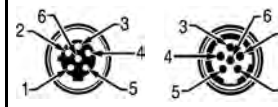


Example of Cordset



Example of Patchcord

**Pinout and Color Code**

Color Code	Face View Pinout							
	3-pin		4-pin		5-pin		6-pin	
	Female	Male	Female	Male	Female	Male	Female	Male
A								
	1 Green (GND) 2 Red/Black Tr. 3 Red/White Tr.		1 Red/Black Tr. 2 Red/White Tr. 3 Red 4 Green (GND)		1 Red/White Tr 2 Red 3 Green 4 Red/Yellow Tr. 5 Red/Black Tr.		1 Red/White Tr. 2 Red 3 Green 4 Red/Yellow Tr. 5 Red/Black Tr. 6 Red/Blue Tr.	

### AC Micro Style, PLTC, 18 & 22 AWG, Gray PVC



Pin AC Micro Cordset

#### Specifications

Attribute	Value
Certifications	UL Recognized and CSA Certified
<b>Mechanical</b>	
Coupling nut material	Epoxy-coated zinc
Housing material	Molded oil-resistant PVC
Contact material	Gold over nickel-plated brass
Cable type	Oil-resistant gray PVC jacket, 18 or 22 AWG conductors, 300V UL Listed and CSA Certified
Bend radius	10x diameter
<b>Electrical</b>	
Cable rating	UL PLTC AWM Style 2661VW-1 105C 300V, CSA AWM A/B 1/11 80C 300V FT1, UV oil and water resistant
Assembly rating	250V, 4 A
<b>Environmental</b>	
Enclosure type rating	IP67 & IP69K
Temperature rating [C (F)]	-20...+105 ° (-4...+221 °)

**Cordsets Product Selection [mm (in.)]**

No. of Pins	Jacket Material	Wire Size, AWG	Cable diameter [mm (in.)]	Cat. No. <sup>(1)</sup>			
				Straight Female (Internal Threads)	Right Angle Female	Straight Male	Right Angle Male
3-pin	Gray PVC	18	6.7 (0.26)	889R-F3GEA-2	889R-R3GEA-2	889R-M3GEA-2	889R-E3GEA-2
4-pin	Gray PVC	18	6.7 (0.26)	889R-F4GEA-2	889R-R4GEA-2	889R-M4GEA-2	889R-E4GEA-2
5-pin	Gray PVC	18	7.6 (0.3)	889R-F5GEA-2	889R-R5GEA-2	889R-M5GEA-2	889R-E5GEA-2
6-pin	Gray PVC Braided	22	6.7 (0.26)	889R-F6KCA-2	889R-R6KCA-2	889R-M6KCA-2	889R-E6KCA-2

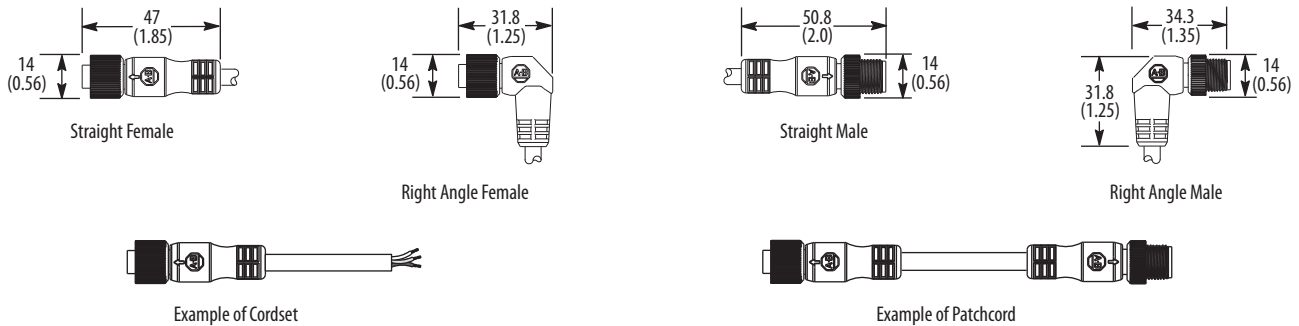
(1) The 2 at the end of the cat. no. is for 2 m cable length. Replace the 2 with 5 (5 m) or 10 (10 m) for standard cable lengths.

**Patchcords Product Selection [mm (in.)]**

No. of Pins	Jacket Material	Wire Size, AWG	Cable diameter [mm (in.)]	Cat. No. <sup>(1)</sup>			
				Straight Female Straight Male	Straight Female Right Angle Male	Right Angle Female Straight Male	Right Angle Female Right Angle Male
3-pin	Gray PVC	18	6.7 (0.26)	889R-F3GERM-2	889R-F3GERE-2	889R-R3GERM-2	889R-R3GERE-2
4-pin	Gray PVC	18	6.7 (0.26)	889R-F4GERM-2	889R-F4GERE-2	889R-R4GERM-2	889R-R4GERE-2
5-pin	Gray PVC	18	7.6 (0.3)	889R-F5GERM-2	889R-F5GERE-2	889R-R5GERM-2	889R-R5GERE-2
6-pin	Gray PVC Braided	22	6.7 (0.26)	889R-F6KCRM-2	889R-F6KCRE-2	889R-R6KCRM-2	889R-R6KCRE-2

(1) The 2 at the end of the cat. no. is for 2 m cable length. Replace the 2 with 5 (5 m) or 10 (10 m) for standard cable lengths.

**Approximate Dimensions [mm (in.)]**



**Pinout and Color Code**

Color Code	Face View Pinout							
	3-pin		4-pin		5-pin		6-pin	
	Female	Male	Female	Male	Female	Male	Female	Male
A	1 Green (GND) 2 Red/Black Tr. 3 Red/White Tr.	1 Red/Black Tr. 2 Red/White Tr.	3 Red 4 Green (GND)	1 Red/White Tr 2 Red 3 Green	4 Red/Yellow Tr. 5 Red/Black Tr.	1 Red/White Tr. 2 Red 3 Green	4 Red/Yellow Tr. 5 Red/Black Tr. 6 Red/Blue Tr.	

### AC Micro Style, 20 AWG, Coil Cable, PVC



3-pin AC Micro Cordset

#### Specifications

Attribute	Value
Certifications	UL Recognized and CSA Certified
<b>Mechanical</b>	
Coupling nut material	Epoxy-coated zinc
Connector material	Molded oil-resistant PVC
Contact material	Gold over nickel-plated brass
Cable type	Oil-resistant yellow PVC jacket, 20 AWG stranded copper, 300V, UL Recognized and CSA Certified
Cable diameter [mm (in.)]	7.1 (0.28)
<b>Electrical</b>	
Cable rating	300V, UL style 20197, CSA AWM 1/11 A/B
Assembly rating	250V, 4 A
<b>Environmental</b>	
Enclosure type rating	IP67
Temperature rating	-20...+105 °C (-4...+221 °F)

**Cordsets Product Selection**

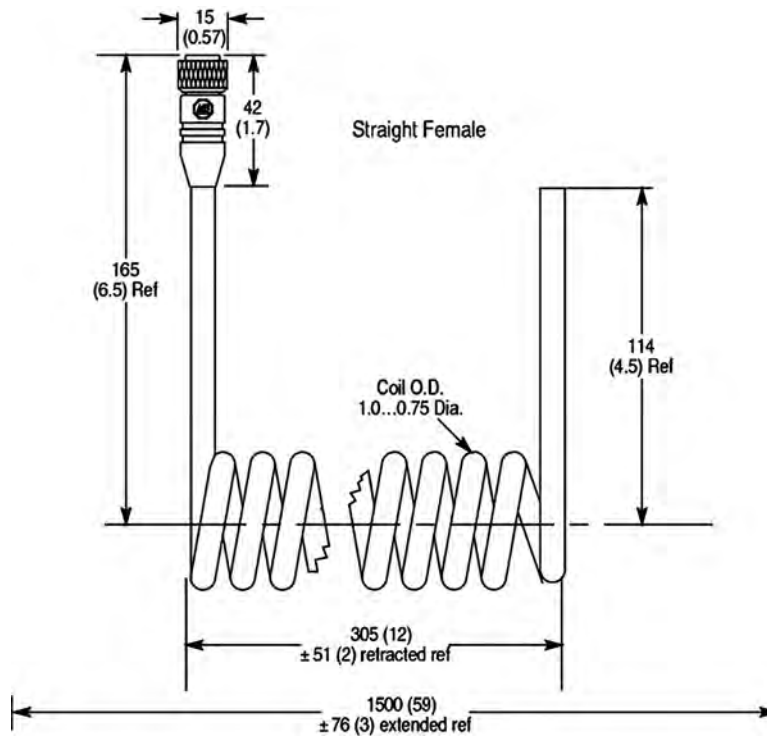
No. of Pins	Assembly Rating	Color Code	Length [m (ft)]	Cat. No. <sup>(1)</sup>
				Straight Female
4-Pin	20 AWG 250V 4 A	A	1.5 (5)	889R-F4AD-C5F
		B		889R-F4ADA-C5F

(1) The 2 at the end of the cat. no. is for 2 m cable length. Replace the 2 with 5 (5 m) or 10 (10 m) for standard cable lengths.

**Pinout and Color Code**

Color Code	Face View Pinout	
	4-pin	
	Female	Male
A	1 Black 2 Blue	3 Brown 4 White
B	1 Red/Black Tr. 2 Red/White Tr.	3 Red 4 Green (GND)

**Approximate Dimensions**



### AC Micro Style, 18 & 22 AWG, Yellow PVC



3-pin AC Micro

#### Specifications

Attribute	Value
Certifications	UL Recognized and CSA Certified
<b>Electrical</b>	
Coupling nut material	Epoxy-coated zinc
Connector material	Molded oil-resistant PVC
Contact material	Gold over nickel-plated brass
Cable rating	Unshielded, oil, water, and UV resistant, AWM, 18 AWG
Assembly rating	250V, 4 A
<b>Environmental</b>	
Enclosure type rating	IP67
Temperature rating	-20...+105 °C (-4...221 °F)

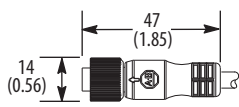


**Product Selection**

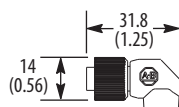
No. of Pins	Connector Style	Color Code	Wire Size, AWG	Cat. No. <sup>(1)</sup>			
				Straight Female Straight Male	Straight Female Right Angle Male	Right Angle Female Straight Male	Right Angle Female Right Angle Male
3-pin	3-pin Mini Female to 3-pin AC Micro Male	B-A	18	889N-F3AERM-2	889N-F3AERE-2	889N-R3AERM-2	889N-R3AERE-2
	3-pin AC Micro Female to 3-pin Mini Male	A-B	18	889R-F3AENM-2	889R-F3AENE-2	889R-R3AENM-2	889R-R3AENE-2
	3-pin AC Micro Female to 4-pin DC Micro Male	A-C	18	889R-F3AEDM-2	889R-F3AEDE-2	889R-R3AEDM-2	889R-R3AEDE-2
	3-pin AC Micro Female to 4-pin DC Micro Male	C-A	22	889R-F3ACDM-2	889R-F3ACDE-2	889R-R3ACDM-2	889R-R3ACDE-2

(1) The 2 at the end of the cat. no. is for 2 m cable length. Replace the 2 with 5 (5 m) or 10 (10 m) for standard cable lengths.

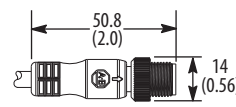
**Approximate Dimensions [mm (in.)]**



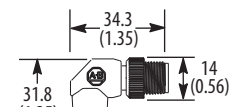
Straight Female



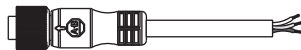
Right Angle Female



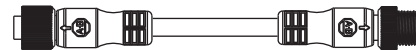
Straight Male



Right Angle Male



Example of Cordset



Example of Patchcord

**Pinout and Color Code**

Face View Pinout			
No. of Pins	3-pin	3-pin	4-pin
Face View Pinout			
Color Code	A	B	C
	1 Green 2 Red/Black Tr. 3 Red/White Tr.	1 Green 2 Black 3 White	1 Brown 2 NA 3 Blue 4 Black

## AC Micro Style, Splitters, MDSA Module Wiring



Splitter, AC Micro

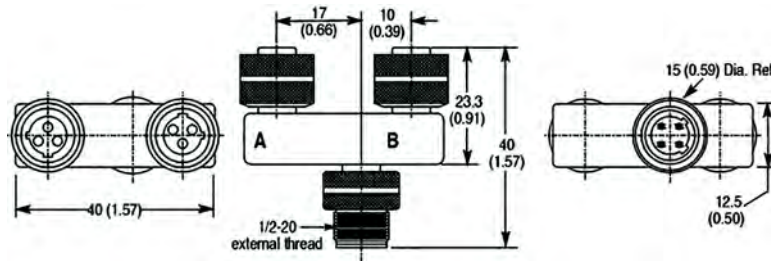
### Specifications

Attribute	Value
Certifications	UL Recognized and CSA Certified
<b>Mechanical</b>	
Material	Black PUR
Connector insert material	PUR
Receptacle shell material	Nickel-plated brass
Contact material	Brass, gold over nickel plating
O-Ring Material	Viton®
<b>Electrical</b>	
Assembly rating	300V, 3 A
<b>Environmental</b>	
Enclosure type rating	IP67, NEMA 6P
Operating temperature	-30...+105 °C (-22...+221 °F)

**Product Selection**

Type	Wiring Diagram	Assembly Rating	Cat. No.
Standard wiring		300V, 3 A	898R-33PYX-R3

**Approximate Dimensions [mm (in.)]**



**Pinout**

Face View Pinout		
No. of Pins	3-pin	4-pin
Face View Pinout		

## AC Micro Style Receptacles — 18 & 22 AWG, 1/2 and 1/4 NPT Mounting Threads



AC Micro Male Receptacle

### Specifications

Attribute	Value
Certifications	UL Recognized and CSA Certified
<b>Mechanical</b>	
Receptacle shell material	Brass with nickel
Connector insert material	Nylon
Contact material	Gold-plated brass
Wire insulation	Oil-resistant PVC, 22 AWG stranded copper, 300V, UL Recognized and CSA Certified
<b>Electrical</b>	
Assembly rating	250V, 4 A
<b>Environmental</b>	
Enclosure type rating	NEMA 1, 3, 4, 6P, and IEC IP67, IP68, IP69K
Operating temperature	-40...+10 °C(-22...+221 °F)

### Mating Components & Accessories

Description <sup>(1)</sup>	Cat. No.
1/2 inch 14 NPT mounting nut	889A-U1NUT-10
1/2 inch 14 NPT flat sealing washer	889A-U1FSL-10

(1) Sold in bags of 10.

**22 AWG Receptacle Product Selection**

No. of Pins	Assembly Rating	Color Code	Panel Mount Threads	Dimension Drawing	Cat. No. <sup>(1)</sup>	
					Female	Male
3-pin	250V, 4 A	A	1/2 inch-14 NPT	A	888R-F3AC1-1F	888R-M3AC1-1F
			1/4 inch-18 NPT	B	888R-F3AC2-1F	888R-M3AC2-1F
4-pin			1/2 inch-14 NPT	A	888R-F4AC1-1F	888R-M4AC1-1F
			1/4 inch-18 NPT	B	888R-F4AC2-1F	888R-M4AC2-1F
5-pin			1/2 inch-14 NPT	A	888R-F5AC1-1F	888R-M5AC1-1F
			1/4 inch-18 NPT	B	888R-F5AC2-1F	888R-M5AC2-1F
6-pin	1/2 inch-14 NPT	A	888R-F6AC1-1F	888R-M6AC1-1F		
Mounting nuts for 1/2 inch-14 NPT threaded receptacles are available in bags of 10 pieces						889A-U1NUT-10
Flat, sealing washers for 1/2 inch-14 NPT threaded receptacles are available in bags of 10 pieces						889A-U1FSL-10

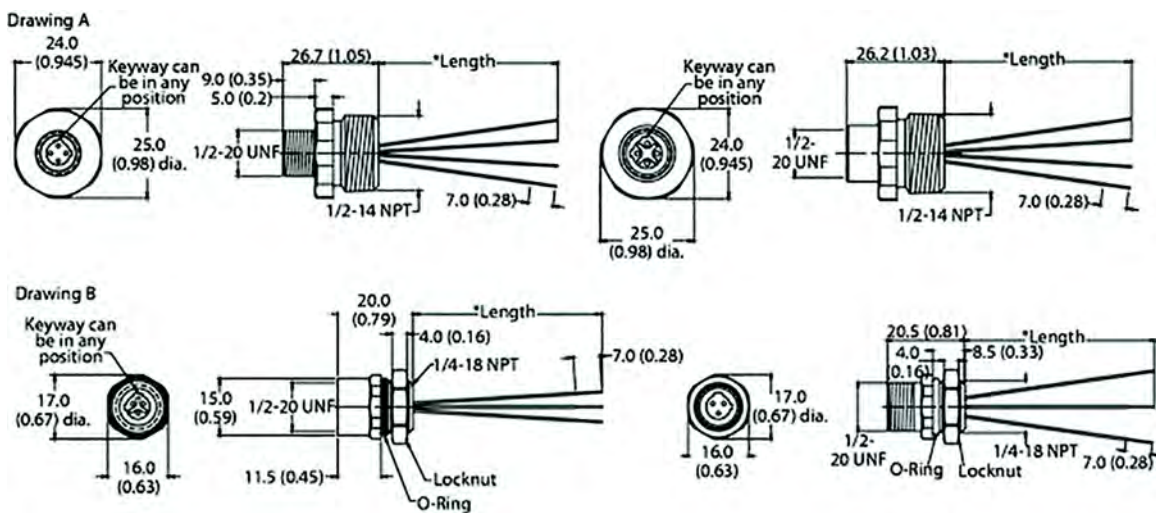
(1) The 1F at the end of the cat. no. is for 1 ft cable length. Replace the 1F with 3F (3 ft) for standard lengths.

**18 AWG Receptacle**

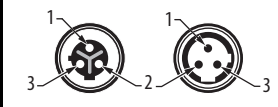
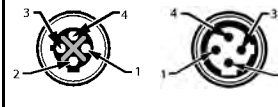
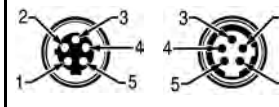
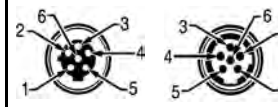
No. of Pins	Assembly Rating	Color Code	Panel Mount Threads	Dimension Drawing	Cat. No. <sup>(1)</sup>	
					Female	Male
3-pin	250V, 4 A	A	1/2 inch-14 NPT	A	888R-F3AE1-1F	888R-M3AE1-1F
			1/4 inch-18 NPT	B	888R-F3AE2-1F	888R-M3AE2-1F
4-pin			1/2 inch-14 NPT	A	888R-F4AE1-1F	888R-M4AE1-1F
			1/4 inch-18 NPT	B	888R-F4AE2-1F	888R-M4AE2-1F
5-pin			1/2 inch-14 NPT	A	888R-F5AE1-1F	888R-M5AE1-1F
			1/4 inch-18 NPT	B	888R-F5AE2-1F	888R-M5AE2-1F
Mounting nuts for 1/2 inch-14 NPT threaded receptacles are available in bags of 10 pieces						889A-U1NUT-10
Flat, sealing washers for 1/2 inch-14 NPT threaded receptacles are available in bags of 10 pieces						889A-U1FSL-10

(1) The 1F at the end of the cat. no. is for 1 ft cable length. Replace the 1F with 3F (3 ft) for standard lengths.

**Approximate Dimensions [mm (in.)]**



**Pinout and Color Code**

Color Code	Face View Pinout													
	3-pin		4-pin		5-pin		6-pin							
	Female	Male	Female	Male	Female	Male	Female	Male						
A														
	1 Green 2 Red/Black Tr. 3 Red/White Tr.		1 Red/Black Tr. 2 Red/White Tr.		3 Red 4 Green (GND)		1 Red/White Tr 2 Red 3 Green (GND)		4 Red/Yellow Tr. 5 Red/Black Tr.		1 Red/White Tr. 2 Red 3 Green		4 Red/Yellow Tr. 5 Red/Black Tr. 6 Red/Blue Tr.	

## AC Micro Style, Terminal Chambers, Screw-type Field Attachable Connectors



AC Micro Male Receptacle

### Specifications

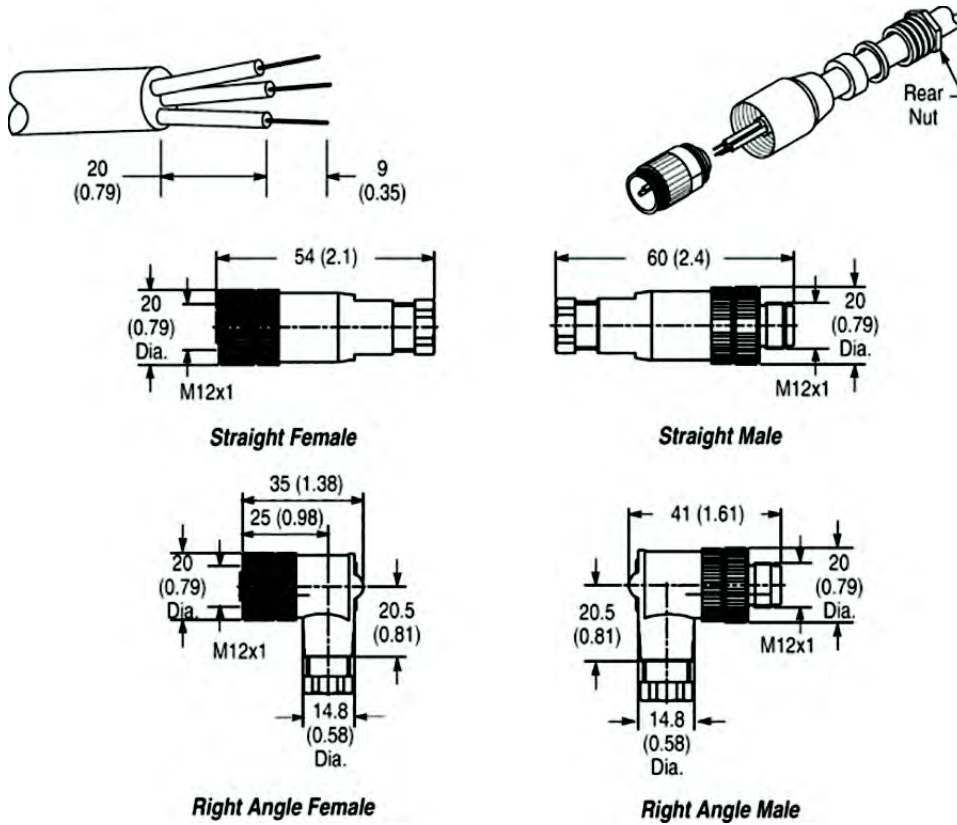
Attribute	Value
<b>Mechanical</b>	
Coupling nut material	Nickel-plated brass
Connector insert material	Nylon
Contact material	Gold-plated palladium/nickel
Wire Size	18 mm (0.75 in. <sup>2</sup> ) max.
<b>Environmental</b>	
Enclosure type rating	IP67 (IEC 529); NEMA 6P
Operating temperature	-40...+90 °C (-40...+194 °F)

**Terminal Chambers Product Selection [mm (in.)]**

Connector Style	Cable Jacket Diameter	Wire Size	Cat. No.	
			Female	Male
Straight	4.0...6.0 (0.16...0.23)	18 (0.75 mm <sup>2</sup> )	871A-TS3-R	871A-TS3-RM
Right Angle			871A-TR3-R	871A-TR3-RM
Straight	6.0...8.0 (0.23...0.31)	18 (0.75 mm <sup>2</sup> )	871A-TS3-R1	871A-TS3-RM1
Right Angle			871A-TR3-R1	871A-TR3-RM1

**IMPORTANT** Stainless steel coupling nuts are available. Add an S to the catalog number, for example, 871AS-TS3-R.

**Approximate Dimensions [mm (in.)]**



**Pinout and Color Code**

Color Code	Face View Pinout	
	3-pin	
	Female	Male
A		



### EAC Micro Style, 22 AWG, Yellow PVC



4-pin EAC Micro Cordset

#### Specifications

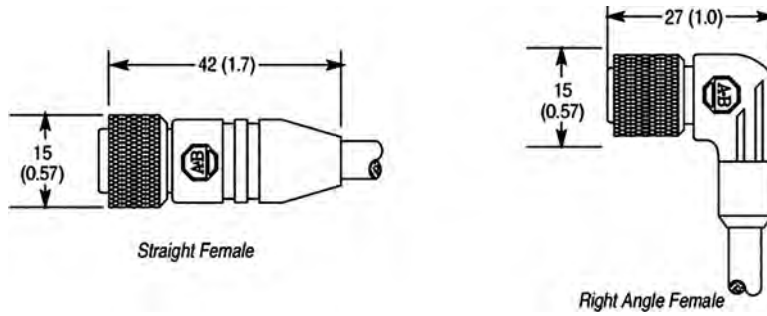
Attribute	Value
Certifications	UL Recognized and CSA Certified
<b>Mechanical</b>	
Coupling nut material	Epoxy-coated zinc
Connector material	Molded oil-resistant polyurethane body
Contact material	Gold over nickel-plated brass
Cable type	Yellow oil-resistant PVC jacket, 22 AWG conductors, 300V, UL Recognized and CSA Certified
Cable diameter	5 mm (0.21 in.)
<b>Electrical</b>	
Cable rating	300V
Assembly rating	300V, 3 A
<b>Environmental</b>	
Enclosure type rating	IP67
Temperature rating	-40...+90 °C (-40...+194 °F)

**Product Selection**

No. of Pins	Wire Size [AWG]	Color Code	Cat. No. <sup>(1)</sup>	
			Straight Female	Right Angle Female
3-pin	22 AWG 300V 3 A	A	889B-F3AC-2	889B-R3AC-2
4-Pin		B	889B-F4AC-2	889B-R4AC-2

(1) The 2 at the end of the catalog number is for 2 m cable length. Replace the 2 with 5 (5 m) or 10 (10 m) for standard cable lengths.

**Approximate Dimensions [mm (in.)]**



**Pinout and Color Code**

Color Code	Face View Pinout
	4-pin Female
A	1 Brown 2 Blue 3 Not Used 4 Green/Yellow
B	1 Brown 2 Blue 3 Black 4 Green/Yellow

## EAC Micro Style Receptacles, 22 AWG, M14 Mounting Threads



EAC Micro Male Receptacle

### Specifications

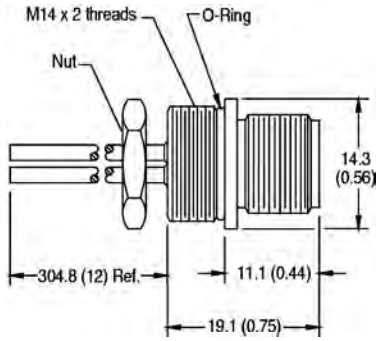
Attribute	Value
Certifications	UL Recognized and CSA Certified
<b>Mechanical</b>	
Receptacle shell material	Black anodized machined aluminum
Connector insert material	Nylon
Contact material	Machined brass with gold over nickel plating
<b>Electrical</b>	
Assembly rating	300V, 3 A
<b>Environmental</b>	
Enclosure type rating	IP67
Operating temperature	-20...+105° (-4...+221°)

**Product Selection**

No. of Pins	Assembly Rating	Color Code	Panel Mount Threads	Length [m (ft)]	Cat. No. <sup>(1)</sup>
4-Pin	22 AWG 300V 3 A	A	M14 x 1	0.3 (1)	888B-M3AC6-0M3
		B			888B-M4AC6-0M3

(1) The 2 at the end of the cat. no. is for 2 m cable length. Replace the 2 with 5 (5 m) or 10 (10 m) for standard cable lengths.

**Approximate Dimensions [mm (in.)]**



**Pinout and Color Code**

Color Code	Face View Pinout	
	4-Pin Male	
A	1 Brown 2 Blue	3 Not Used 4 Green/Yellow
B	1 Brown 2 Blue	3 Black 4 Green/Yellow

**Pico, 24 AWG, Yellow PVC or PUR, Screw-on, LED and NonLED**



Pico Screw-On Style

**Specifications**

Attribute	Value
Certifications	UL Recognized and CSA Certified
<b>Mechanical</b>	
Coupling nut material	Nickel-plated brass
Connector material	Molded oil-resistant PUR
Contact material	Gold over nickel-plated brass
Cable type	Oil-resistant yellow PVC or PUR jacket, 24 AWG conductors, 300V, UL Recognized, CSA Certified
Cable diameter [mm (in.)]	3/c = 4.6 (0.18) 4/c = 4.6 (0.18)
<b>Electrical</b>	
Cable rating	PVC: UL CM AWM style 2661 VW-1 105C 300V, CSA AWM A/B I/II 105C 300V FT1; PUR: UL AWM style 20233 or 20549 80C 300V
Assembly rating	NonLED: 60V AC/75V DC, 4 A; LED: 10...30V DC, 4 A
<b>Environmental</b>	
Enclosure type rating	Screw-type: IP67; Snap-on type: IP65
Temperature rating	PVC and TPE models: -20...+105 °C (-4...+221 °F) PUR models: -20...+80 °C (-4...+176 °F)

**Screw-on Cordsets Product Selection**

No. of Pins	Jacket Material	Assembly Rating	Color Code	LED Type	Cat. No. <sup>(1)</sup>			
					Straight Female	Right Angle Female	Straight Male	Right Angle Male
3-pin	Yellow PVC	24 AWG 60V AC/ 75V DC 4 A	A	—	889P-F3AB-2	889P-R3AB-2	889P-M3AB-2	889P-E3AB-2
	Yellow PUR				889P-F3UB-2	889P-R3UB-2	—	—
3-pin LED	Yellow PVC	24 AWG 10...30V DC/4 A		PNP	—	889P-P3AB-2	—	—
	Yellow PUR				—	889P-P3UB-2	—	—
	Yellow PVC			NPN	—	889P-N3AB-2	—	—
	Yellow PUR				—	889P-N3UB-2	—	—
4-Pin	Yellow PVC	24 AWG 60V AC/ 75V DC 4 A		—	889P-F4AB-2	889P-R4AB-2	889P-M4AB-2	889P-E4AB-2
	Yellow PUR				889P-F4UB-2	889P-R4UB-2	889P-M4UB-2	889P-E4UB-2

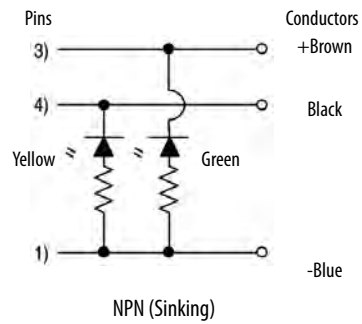
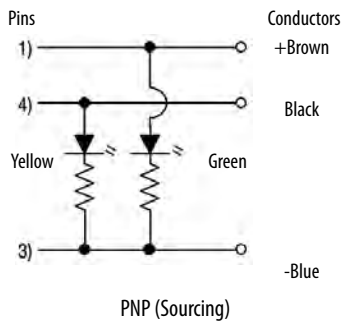
(1) The 2 at the end of the cat. no. is for 2 m cable length. Replace the 2 with 5 (5 m) or 10 (10 m) for standard cable lengths.

**Screw-on Patchcords Product Selection**

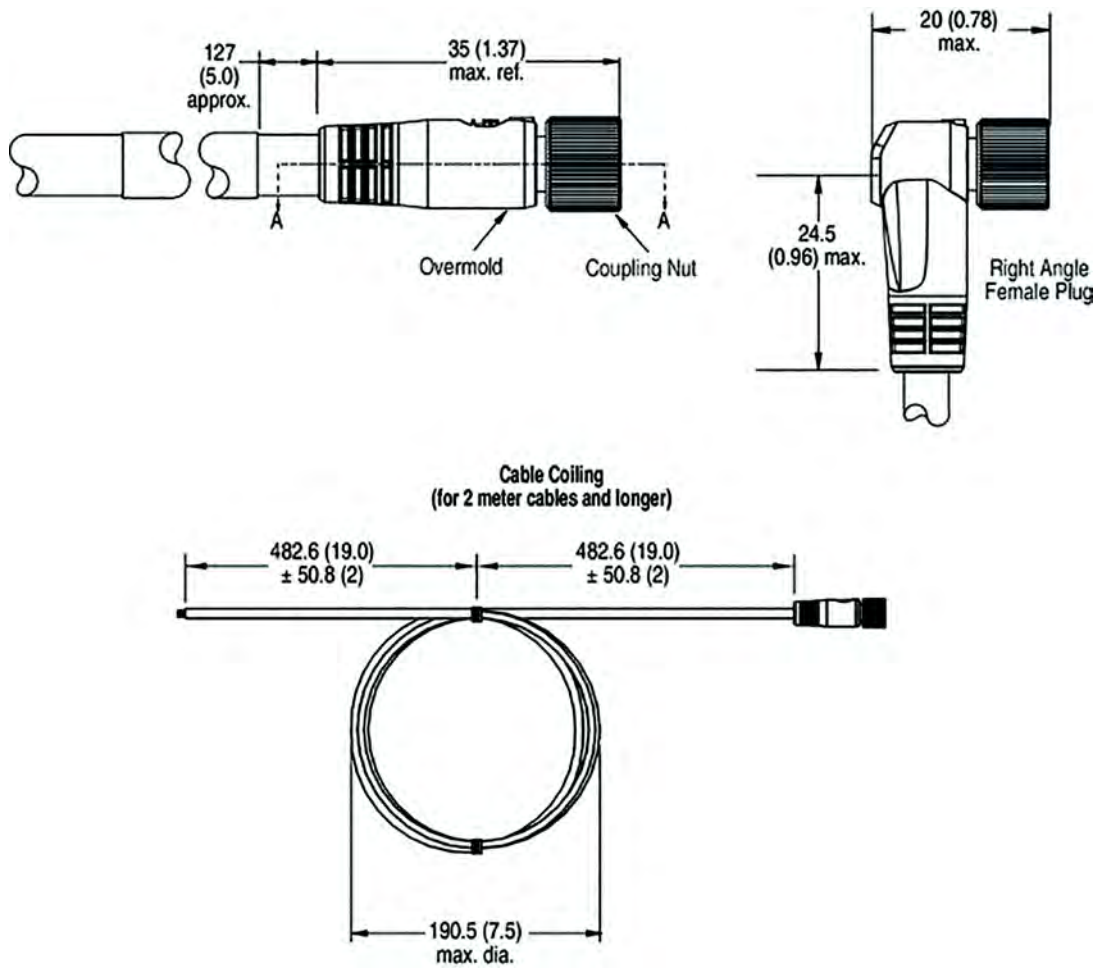
No. of Pins	Jacket Material	Assembly Rating	Color Code	Cat. No. <sup>(1)</sup>			
				Straight Female Straight Male	Straight Female Right Angle Male	Right Angle Female Straight Male	Right Angle Female Right Angle Male
3-pin	Yellow PVC	24 AWG 60V AC/75V DC 4 A	A	889P-F3ABPM-2	889P-F3ABPE-2	889P-R3ABPM-2	889P-R3ABPE-2
4-Pin Female to 3-pin Male				889P-F3UBPM-2	—	889P-R3UBPM-2	—
				889P-F4ABP3M-2	889P-F4ABP3E-2	889P-R4ABP3M-2	889P-R4ABP3E-2
4-Pin				889P-F4UBPM3-2	—	—	—
				889P-F4ABPM-2	—	—	—
				889P-F4UBPM-2	—	889P-R4UBPM-2	—

(1) The 2 at the end of the cat. no. is for 2 m cable length. Replace the 2 with 1 (1 m), 3 (3 m), 5 (5 m), or 10 (10 m) for standard lengths.

**Typical Wiring Diagrams**



**Approximate Dimensions**



**Pinout and Color Code**

Color Code	Face View Pinout			
	3-pin		4-pin	
	<p><b>Female</b></p>	<p><b>Male</b></p>	<p><b>Female</b></p>	<p><b>Male</b></p>
A	1 Brown 2 Blue	4 Black	1 Brown 2 White	3 Blue 4 Black

**Pico QD, 24 AWG, Yellow & Black PVC, TPE, PUR Screw-on**



Pico Screw-on Style

**Specifications**

Attribute	Value
Certifications	UL Recognized and CSA Certified
<b>Mechanical</b>	
Coupling nut material	Nickel-plated brass
Connector material	Molded oil-resistant PUR
Contact material	Gold over nickel-plated brass
Cable type	Oil-resistant yellow PVC or PUR jacket, 24 AWG conductors, 300V, UL Recognized, CSA Certified
Cable diameter [mm (in.)]	3/c = 4.6 (0.18) 4/c = 4.6 (0.18)
<b>Electrical</b>	
Cable rating	PVC: CM UL AWM style 2661 VW-1 105C 300V, CSA AWM A/B I/II 105C 300V FT1; PUR: UL AWM style 20233 or 20549 80C 300V
Assembly rating	NonLED: 60V AC/75V DC, 4 A; LED: 10...30V DC, 4 A
<b>Environmental</b>	
Enclosure type rating	Screw-type: IP67; Snap-on type: IP65
Temperature rating	PVC and TPE models: -20...+105 °C (-4...+221 °F) PUR models: -20...+80 °C (-4...+176 °F)



## Screw-on Cordsets Product Selection

No. of Pins	Jacket Material	Color Code	Cat. No. <sup>(1)</sup>			
			Straight Female	Right Angle Female	Straight Male	Right Angle Male
3-pin	Yellow PVC	A	889P-F3AB-2	889P-R3AB-2	889P-M3AB-2	889P-E3AB-2
4-Pin	Yellow PVC	A	889P-F4AB-2	889P-R4AB-2	889P-M4AB-2	889P-E4AB-2

(1) The 2 at the end of the cat. no. is for 2 m cable length. Replace the 2 with 5 (5 m) or 10 (10 m) for standard cable lengths.

Change AB to:	For:
BB	Black PVC Cable
FB	Yellow PVC/Foil Shield and Drain
UB	Yellow PUR, Flex Cable
JB	Black Hallogen Free PUR
HB	Yellow TPE Flex

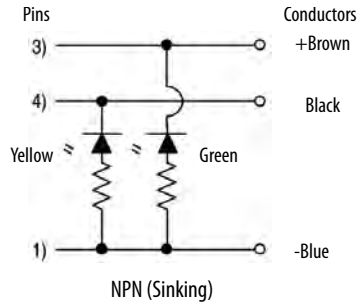
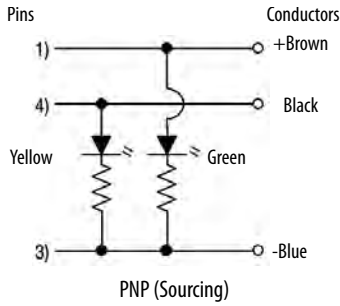
## Screw-on Patchcords Product Selection

No. of Pins	Jacket Material	Color Code	Cat. No. <sup>(1)</sup>			
			Straight Female to Straight Male	Straight Female to Right Angle Male	Right Angle Female to Straight Male	Right Angle Female to Right Angle Male
Male: Pico (3p) Female: Pico (3p)	Yellow PVC	A	889P-F3ABPM-2	889P-F3ABPE-2	889P-R3ABPM-2	889P-R3ABPE-2
Male: Pico (3p) Female: Pico (4p)			889P-F4ABP3M-2	889P-F4ABP3E-2	889P-R4ABP3M-2	889P-R4ABPE3-2
Male: Pico (3p) Female: Micro (4p)			889D-F4ABP3M-2	889D-F4ABP3E-2	889D-R4ABP3M-2	889D-R4ABP3E-2
Male: Pico (3p) Female: Micro (4p)			889D-F4ABP3M-V2	889D-F4ABP3E-2	889D-R4ABP3M-V2	889D-R4ABP3E-V2
Male: Micro (4p) Female: Pico (3p)			889P-F3ABD4M-2	889P-F3ABD4E-2	889P-R3ABD4M-2	889P-R3ABD4E-2
Male: Pico (4p) Female: Pico (4p)		B	889P-F4ABPE-2	889P-F4ABPE-2	889P-R4ABPM-2	889P-R4ABPE-2
Male: Pico (4p) Female: Micro (4p)			889D-F4ABPM-2	889D-F4ABPE-2	889D-R4ABPM-2	889D-R4ABPE-2
Male: Micro (4p) Female: Pico (4p)			889P-F4ABDM-2	889P-F4ABDE-2	889P-R4ABDM-2	889P-R4ABDE-2
Male: Micro (4p) Female: Pico (4p)			889P-F4ABDE-V2	889P-F4ABDE-V2	889P-R4ABDM-V2	889P-R4ABDE-V2

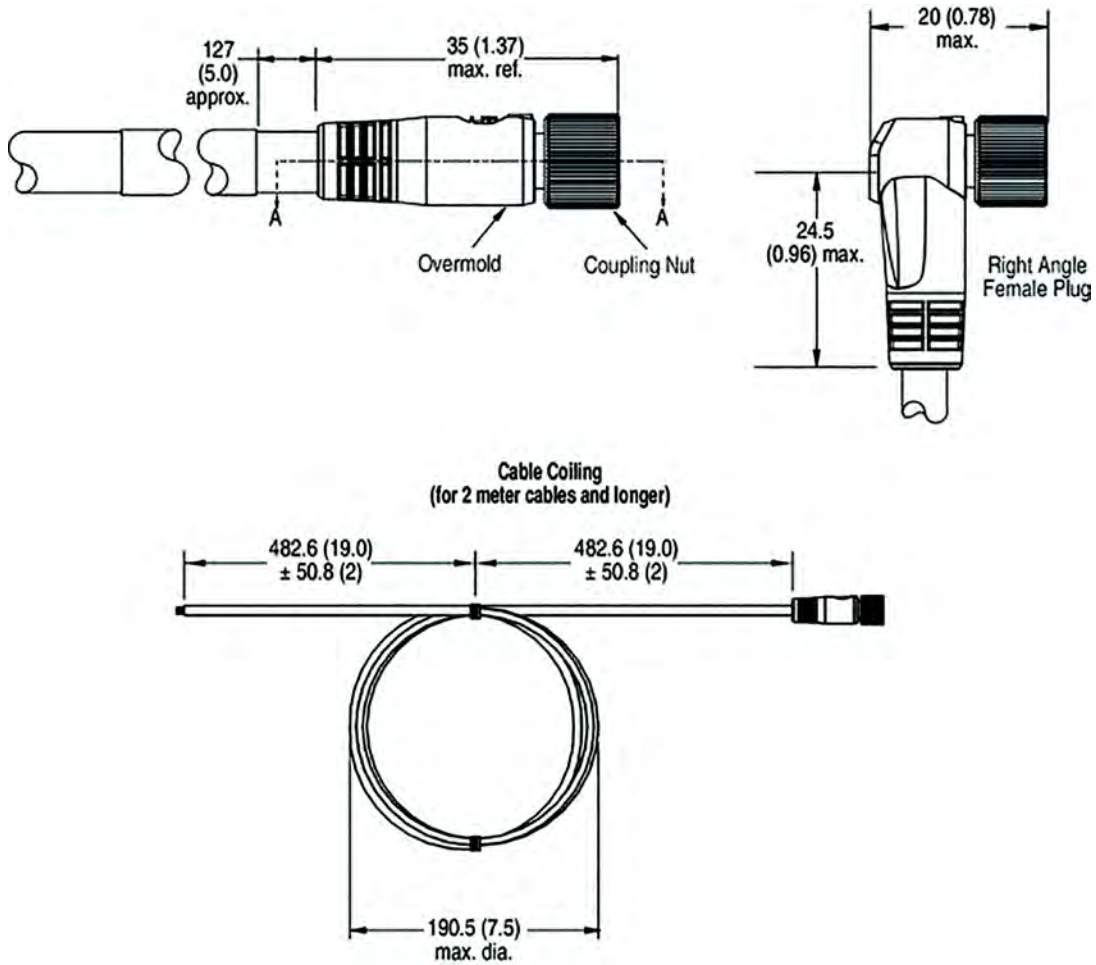
(1) The 2 at the end of the cat. no. is for 2 m cable length. Replace the 2 with 5 (5 m) or 10 (10 m) for standard cable lengths.

Change AB to:	For:
BB	Black PVC Cable
UB	Yellow PUR, Flex Cable
JB	Black Hallogen Free PUR
HB	Yellow TPE Flex

**Typical Wiring Diagrams**



**Approximate Dimensions**



**Pinout and Color Code**

Color Code	Face View Pinout	
	3-pin	4-pin
A	1 Brown 2 NA	3 Blue 4 Black
B	—	1 Brown 2 White 3 Blue 4 Black

### Pico QD 24 AWG, Yellow & Black PUR, PVC, TPE Snap-on



Pico Snap-on Style

#### Specifications

Attribute	Value
Certifications	UL Recognized and CSA Certified
<b>Mechanical</b>	
Coupling nut material	Nickel-plated brass
Connector material	Molded oil-resistant PUR
Contact material	Gold over nickel-plated brass
Cable type	Oil-resistant yellow PVC or PUR jacket, 24 AWG conductors, 300V, UL Recognized, CSA Certified
Cable diameter [mm (in.)]	3/c = 4.6 (0.18) 4/c = 4.6 (0.18)
<b>Electrical</b>	
Cable rating	PVC: UL CM AWM style 2661 VW-1 105C 300V, CSA AWM A/B I/II 105C 300V FT1; PUR: UL AWM style 20233 or 20549 80C 300V
Assembly rating	NonLED: 60V AC/75V DC, 4 A; LED: 10...30V DC, 4 A
<b>Environmental</b>	
Enclosure type rating	Screw-type: IP67; Snap-on type: IP65
Temperature rating	PVC and TPE models: -20...+105 °C (-4...+221 °F) PUR models: -20...+80 °C (-4...+176 °F)

## Cordsets Product Selection

No. of Pins	Jacket Material	Assembly Rating	Color Code	LED Type	Cat. No. <sup>(1)</sup>	
					Straight Female	Right Angle Female
3-pin	Yellow PVC	24 AWG 60V AC/75V DC 4 A	A	—	889P-S3AB-2	889P-Z3AB-2
	Yellow PUR				889P-S3UB-2	889P-Z3UB-2
3-pin LED	Yellow PVC	24 AWG 10...30V DC 4 A		PNP	—	889P-W3AB-2
	Yellow PUR				—	889P-W3UB-2
	Yellow PVC			NPN	—	889P-Y3AB-2
	Yellow PUR				—	889P-Y3UB-2
4-Pin	Yellow PVC	24 AWG 60V AC/75V DC 4 A		—	889P-S4AB-2	889P-Z4AB-2
	Yellow PUR				889P-S4UB-2	889P-Z4UB-2

(1) The 2 at the end of the cat. no. is for 2 m cable length. Replace the 2 with 5 (5 m) or 10 (10 m) for standard cable lengths.

Change AB to:	For:
BB	Black PVC Cable
FB	Yellow PVC/Foil Shield and Drain
UB	Yellow PUR, Flex Cable
JB	Black Hallogen Free PUR
HB	Yellow TPE Flex

## Patchcords Product Selection

No. of Pins	Jacket Material	Color Code	Cat. No. <sup>(1)</sup>			
			Straight Female to Straight Male	Straight Female to Right Angle Male	Right Angle Female to Straight Male	Right Angle Female to Right Angle Male
Male: Pico (3p) Female: Pico (3p)	Yellow PVC	A	889P-S3ABPG-2	889P-S3ABPH-2	889P-Z3ABPG-2	889P-Z3ABPH-2
Male: Pico (3p) Female: Pico (4p)	Yellow PVC	A	889P-S4ABP3G-2	889P-S4ABP3H-2	889P-Z4ABP3G-2	889P-Z4ABP3H-2
Male: Pico (4p) Female: Pico (4p)	Yellow PVC	A	889P-S4ABPG-2	889P-S4ABPH-2	889P-Z4ABPG-2	889P-Z4ABPH-2

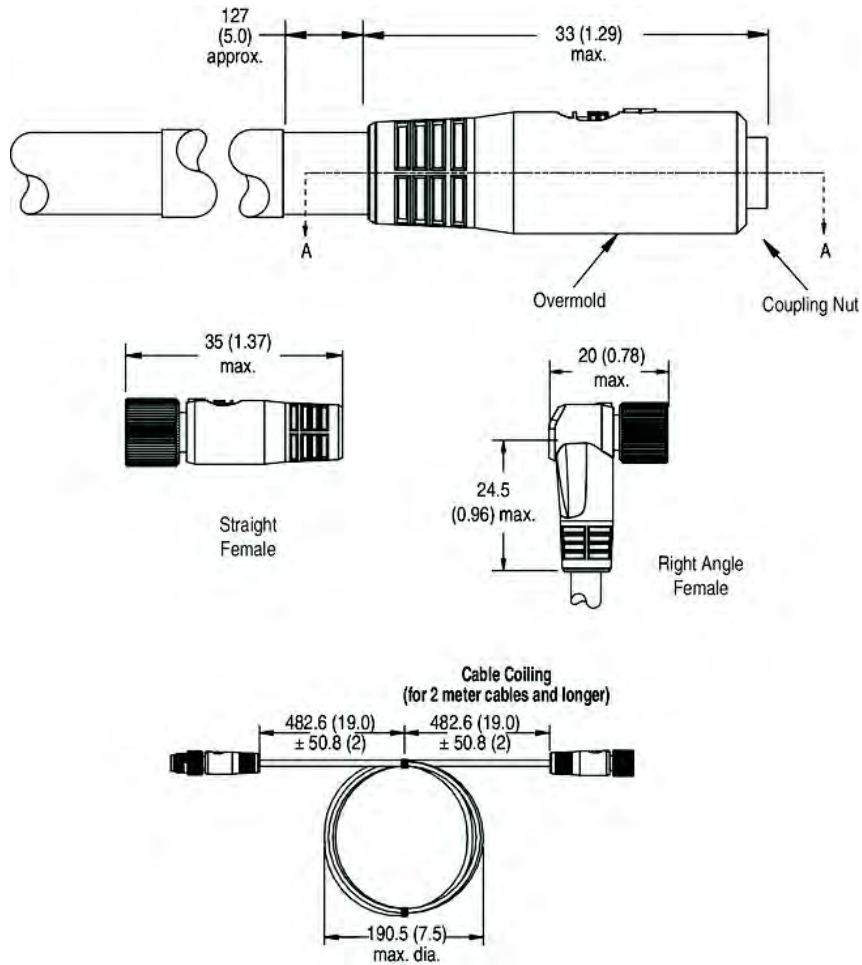
(1) The 2 at the end of the cat. no. is for 2 m cable length. Replace the 2 with 5 (5 m) or 10 (10 m) for standard cable lengths.

Change AB to:	For:
BB	Black PVC Cable
UB	Yellow PUR, Flex Cable
JB	Black Hallogen Free PUR
HB	Yellow TPE Flex

**Typical Wiring Diagrams**



**Approximate Dimensions**



**Pinout and Color Code**

Color Code	Face View Pinout			
	3-pin		4-pin	
	Female	Male	Female	Male
A	1 Brown 2 Blue	4 Black	1 Brown 2 White	3 Blue 4 Black

**Pico QD 24 AWG, Pico LED and Pico to Micro LED, PUR, PVC, TPE**



Pico Screw-on Style

**Specifications**

Attribute	Value
Certifications	UL Recognized and CSA Certified
<b>Mechanical</b>	
Coupling nut material	Nickel-plated brass
Connector material	Molded, oil-resistant, PUR
Contact material	Gold-plated brass
Cable type	Oil-, water-, and UV-resistant, 24 AWG conductors, 300V, 4 A, AWM
Cable diameter [mm (in.)]	3/c = 4.6 (0.18) 4/c = 4.6 (0.18)
<b>Electrical</b>	
Cable rating	PVC: UL CM AWM style 2661 VW-1 105°C 300V, CSA AWM A/B I/II 105°C 300V FT1 PUR: UL AWM style 20233, 21198 or 10493 80°C 300V FT2 TPE: UL AWM style 20327 VW-1 105°C 300V FT1
Assembly rating	NonLED: 60V AC/75V DC, 4 A LED: 10...30V DC, 4 A
<b>Environmental</b>	
Enclosure type rating	Screw-type: IP67 Snap-on type: IP65
Temperature rating	PVC and TPE models: -20...+105 °C (-4...+221 °F) PUR models: -20...+80 °C (-4...+176 °F)

**Screw-on Cordsets Product Selection**

No. of Pins	Jacket Material	Color Code	LED Type	Cat. No. <sup>(1)</sup>	
				Straight Female	Right Angle Female
3-pin	Yellow PVC	A	PNP	889P-B3AB-2	889P-P3AB-2
			NPN	889P-A3AB-2	889P-N3AB-2

(1) The 2 at the end of the cat. no. is for 2 m cable length. Replace the 2 with 5 (5 m) or 10 (10 m) for standard cable lengths.

Change AB to:	For:
BB	Black PVC Cable
FB	Yellow PVC, Shielded Cable
UB	Yellow PUR Cable
JB	Black PUR Cable
HB	TPE/ToughLink Cable

**Screw-On Patchcords Product Selection**

Female Connector	Male Connector	Jacket Material	Color Code	Output	Cat. No. <sup>(1)</sup>			
					Straight Female to Straight Male	Straight Female to Right Angle Male	Right Angle Female to Straight Male	Right Angle Female to Right Angle Male
3-pin Pico	3-pin Pico	Yellow PVC	A	PNP	889P-B3ABPM-2	889P-B3ABPE-2	889P-P3ABPM-2	889P-P3ABPE-2
				NPN	889P-A3ABPM-2	889P-A3ABPE-2	889P-N3ABPM-2	889P-N3ABPE-2
	4-pin Micro			PNP	889P-B3ABD4M-2	889P-B3ABD4E-2	889P-P3ABD4M-2	889P-P3ABD4E-2
				NPN	889P-A3ABD4M-2	889P-A3ABD4E-2	889P-N3ABD4M-2	889P-N3ABD4E-2
	5-pin Micro	Yellow PVC, Shielded		PNP	889P-B3FBD5M-J2	889P-B3FBD5E-J2	889P-P3FBD5M-J2	889P-P3FBD5E-J2
				NPN	889P-A3FBD5M-J2	889P-A3FBD5E-J2	889P-N3FBD5M-J2	889P-N3FBD5E-J2

(1) The 2 at the end of the cat. no. is for 2 m cable length. Replace the 2 with 5 (5 m) or 10 (10 m) for standard cable lengths.

Change AB to:	For:
BB	Black PVC Cable
UB	Yellow PUR, Flex Cable
JB	Black PUR Cable
HB	Yellow TPE/ToughLink Cable

**Snap-On Cordsets**

No. of Pins	Jacket Material	Color Code	LED Type	Cat. No. <sup>(1)</sup>	
				Straight Female	Right Angle Female
3-pin	Yellow PUR	A	PNP	889P-K3UB-2	889P-W3UB-2
			NPN	889P-J3UB-2	889P-Y3UB-2
	Black PUR		PNP	889P-K3JB-2	889P-W3JB-2
			NPN	889P-J3JB-2	889P-Y3JB-2

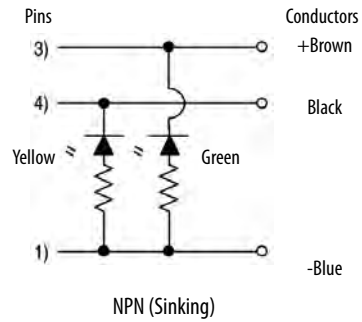
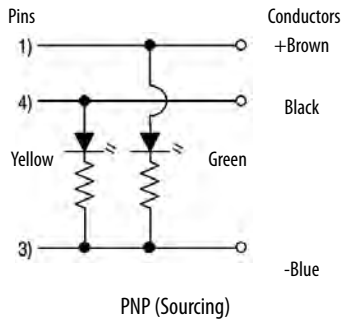
(1) The 2 at the end of the cat. no. is for 2 m cable length. Replace the 2 with 5 (5 m) or 10 (10 m) for standard cable lengths.

**Snap-on Patchcords**

Female Connector	Male Connector	Jacket Material	Color Code	Output	Cat. No. <sup>(1) (2)</sup>			
					Straight Female to Straight Male	Straight Female to Right Angle Male	Right Angle Female to Straight Male	Right Angle Female to Right Angle Male
3-pin Pico	4-pin Micro	Yellow PUR	A	PNP	889P-K3UBPM-2	889P-K3UBPE-2	889P-W3UBPM-2	889P-W3UBPE-2
				NPN	889P-J3UBPM-2	889P-J3UBPE-2	889P-Y3UBPM-2	889P-Y3UBPE-2
				PNP	889P-K3UBD4M-2	889P-K3UBD4E-2	889P-W3UBD4M-2	889P-W3UBD4E-2
				NPN	889P-Y3UBD4M-2	889P-J3UBD4E-2	889P-Y3UBD4M-2	889P-Y3UBD4E-2
		Black PUR		PNP	889P-K3JBPM-2	889P-K3JBPE-2	889P-W3JBPM-2	889P-W3JBPE-2
				NPN	889P-J3JBPM-2	889P-J3JBPE-2	889P-Y3JBPM-2	889P-Y3JBPE-2
				PNP	889P-K3JBD4M-2	889P-K3JBD4E-2	889P-W3JBD4M-2	889P-W3JBD4E-2
				NPN	889P-J3JBD4M-2	889P-J3JBD4E-2	889P-Y3JBD4M-2	889P-Y3JBD4E-2

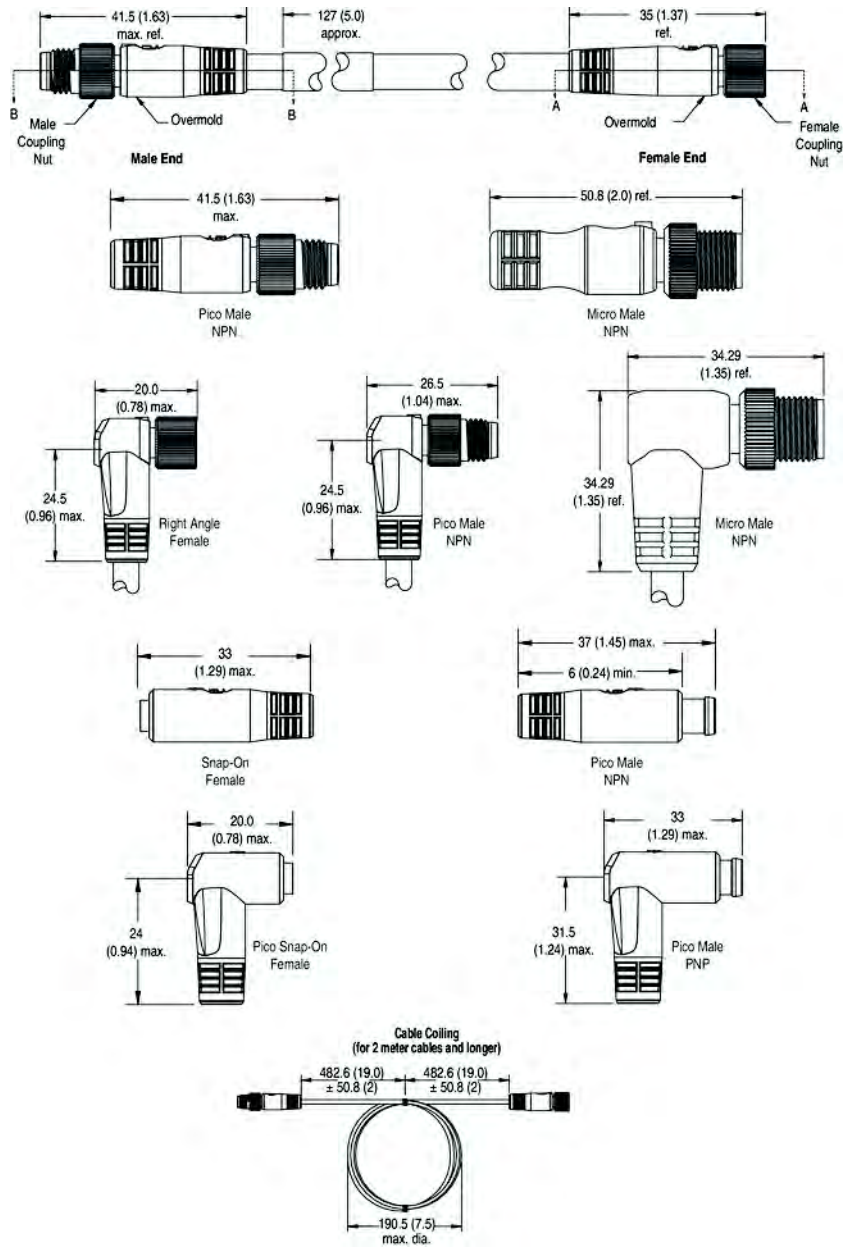
- (1) The 2 at the end of the cat. no. is for 2 m cable length. Replace the 2 with 5 (5 m) or 10 (10 m) for standard cable lengths.
- (2) Stainless steel models are available by adding S to the cat. no., for example, 889PS-P#ABDM-2.  
Nickel-plated brass models are available by adding N to the cat. no., for example, 889PN-P3ABDM-2.

**Typical Wiring Diagrams**





Approximate Dimensions



Pinout and Color Code

Color Code	Face View Pinout			
	3-pin		4-pin	
	Female	Male	Female	Male
A	1 Brown 2 Blue	4 Black	1 Brown 2 White	3 Blue 4 Black

### Patchcords, 24 AWG, Pico to DC Micro, PVC



DC Micro to Pico Patchcord

#### Specifications

Attribute	Value
Certifications	UL Recognized and CSA Certified
<b>Mechanical</b>	
Coupling nut material	DC Micro: Black epoxy-coated zinc; Pico: Nickel-plated brass
Connector material	DC Micro: Molded oil-resistant PUR; Pico: Molded oil-resistant TPE
Contact material	Gold over nickel-plated brass
Cable type	Oil-resistant yellow PVC jacket, 24 AWG conductors, 300V, UL Recognized and CSA Certified
Cable diameter [mm (in.)]	3/c = 4.6 (0.18) 4/c = 4.6 (0.18)
<b>Electrical</b>	
Cable rating	UL CM AWM style 2661 VW-1 105C 300V, CSA AWM A/B I/II 105C 300V FT1
Assembly rating	60V AC/75V DC, 4 A
<b>Environmental</b>	
Enclosure type rating	Screw-type: IP67; Snap-on type: IP65
Temperature rating	PVC and TPE models: -20...+105 °C (-4...+221 °F) PUR models: -20...+80 °C (-4...+176 °F)

**Snap-on Female, Screw-on Male Patchcords Product Selection**

Style: Female to Male	Pinout	Cat. No. <sup>(1)</sup>			
		Straight Female	Right Angle Female	Straight Male	Right Angle Male
Male: Pico (3p) Female: Pico (3p)	A	889P-S3ABPM-2	889P-S3ABPE-2	889P-Z3ABPM-2	889P-Z3ABPE-2
Male: Pico (3p) Female: Pico (4p)	A	889P-S4ABP3M-2	889P-S4ABP3E-2	889P-Z4ABP3M-2	889P-Z4ABP3E-2
Male: Micro (4p) Female: Pico (3p)	A	889P-S3ABD4M-2	889P-S3ABD4E-2	889P-Z3ABD4M-2	889P-Z3ABD4E-2
Male: Pico (4p) Female: Pico (4p)	B	889P-S4ABPM-2	889P-S4ABPE-2	889P-Z4ABPM-2	889P-Z4ABPE-2
Male: Micro (4p) Female: Pico (4p)	B	889P-S4ABDM-2	889P-S4ABDE-2	889P-Z4ABDM-2	889P-Z4ABDE-2
Male: Micro (4p) Female: Pico (4p)	B	889P-S4ABDM-V2	889P-S4ABDE-V2	889P-Z4ABDM-V2	889P-Z4ABDE-V2

(1) The 2 at the end of the cat. no. is for 2 m cable length. Replace the 2 with 1 (1 m), 5 (5 m), or 10 (10 m) for standard lengths.

Change AB to:	For:
AB	Yellow PVC Cable
BB	Black PVC Cable
UB	Yellow PUR, Flex Cable
JB	Black Halogen Free PUR Cable
HB	Yellow TPE Flex Cable

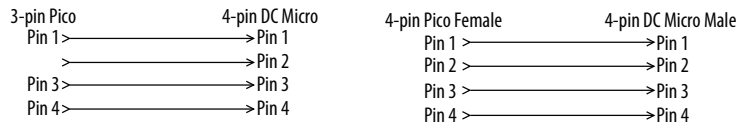
**Screw-On Patchcords Product Selection**

Style: Female to Male	Pinout	Cat. No. <sup>(1)</sup>			
		Straight Female Straight Male	Straight Female Right Angle Male	Right Angle Female Straight Male	Right Angle Female Right Angle Male
3-pin Pico to 4-Pin Micro	A	889P-F3ABD4M-2	889P-F3ABD4E-2	889P-R3ABD4M-2	889P-R3ABD4E-2
4-Pin Pico to 4-Pin Micro	B	889P-F4ABDM-2	889P-F4ABDE-2	—	—
4-Pin Micro to 3-pin Pico	C	889D-F4ABP3M-2	889D-F4ABP3E-2	889D-R4ABP3M-2	889D-R4ABP3E-2
Male: Pico (3p) Female: Pico (3p)	A	889P-F3ABPG-2	889P-F3ABPH-2	889P-R3ABPG-2	889P-R3ABPH-2
Male: Pico (3p) Female: Pico (4p)	B	889P-F4ABP3G-2	889P-F4ABP3H-2	889P-R4ABP3G-2	889P-R4ABP3H-2
Male: Micro (4p) Female: Pico (3p)	C	889D-F4ABP3G-2	889D-F4ABP3H-2	889D-R4ABP3G-2	889D-R4ABP3H-2
Male: Pico (3p) Female: Pico (4p)	A	889P-F4ABP3G-2	889D-F4ABP3H-V2	889D-R4ABP3G-V2	889D-R4ABP3H-V2
Male: Micro (4p) Female: Pico (4p)	B	889P-F4ABPG-2	889P-F4ABPH-2	889P-R4ABPG-2	889P-R4ABPH-2
Male: Micro (4p) Female: Pico (4p)	C	889D-F4ABPG-2	889D-F4ABPH-2	889D-R4ABPG-2	889D-R4ABPH-2

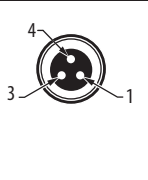
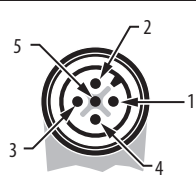
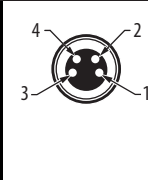
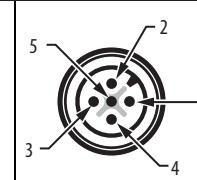
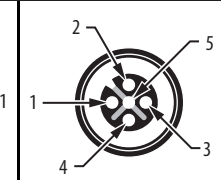
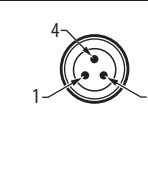
(1) The 2 at the end of the cat. no. is for 2 m cable length. Replace the 2 with 1 (1 m), 5 (5 m), or 10 (10 m) for standard lengths.

Change AB to:	For:
AB	Yellow PVC Cable
BB	Black PVC Cable
UB	Yellow PUR, Flex Cable
JB	Black Halogen Free PUR Cable
HB	Yellow TPE Flex Cable

**Typical Wiring Diagrams**



**Pinout**

Pinout	Face View Pinout					
	A		B		C	
						
	<b>Female</b>	<b>Male</b>	<b>Female</b>	<b>Male</b>	<b>Female</b>	<b>Male</b>
	3-pin Pico Female to 4-pin DC Micro Male		4-pin Pico Female to 4-pin DC Micro Male		4-pin DC Micro Female to 3-pin Pico Male	

### V-cables, 24 AWG, Pico to DC Micro, PVC or PUR, LED and NonLED



Pico V-cables

#### Specifications

Attribute	Value
Certifications	UL Recognized and CSA Certified
<b>Mechanical</b>	
Coupling nut material	Nickel-plated brass (Pico); Epoxy-coated zinc (DC Micro)
Connector material	Molded TPE
Contact material	Gold over nickel-plated brass
Cable type	Oil-resistant yellow PVC jacket, 24 AWG conductors, 300V, UL Recognized, CSA Certified
Bend radius	10 x diameter
Cable diameter [mm (in.)]	3/c = 4.3 (0.17) 4/c = 4.6 (0.18)
<b>Electrical</b>	
Cable rating	UL CM AWM style 2661 VW-1 105C 300V, CSA AWM A/B I/II 105C 300V FT1
Assembly rating	NonLED: 60V AC/75V DC, 4 A; LED: 10...30V DC, 4 A
<b>Environmental</b>	
Enclosure type rating	IP67
Temperature rating	PVC models: -20...+105 °C (-4...+221 °F) PUR models: -20...+80 °C (-4...+176 °F)

#### Pinout

Pinout	Face View Pinout					
	A		B		C	
	<b>Female</b>	<b>Female</b>	<b>Male</b>	<b>Female</b>	<b>Female</b>	<b>Male</b>
	3-pin Pico Female to 4-pin DC Micro Male			4-pin Pico Female to 4-pin DC Micro Male		

**Screw-On V-Cables Product Selection**

Female Connector	Jacket Material	Male Connector	LED Type	Pinout	Cat. No. <sup>(1)</sup>	
					Straight Female Connector	Right Angle Female Connector
3-pin Pico	Yellow PVC	4-Pin DC Micro	—	A	879P-F3ABD4M-2	879P-R3ABD4M-2
	PUR		—		879P-F3UBD4M-2	879P-R3UBD4M-2
4-pin Pico	Yellow PVC		—	B	879P-F4ABDM-2	—
3-pin Pico LED	PVC		PNP	A	—	879P-P3ABD4M-2
	PVC		NPN		—	879P-N3ABD4M-2
	PUR		PNP		—	879P-P3UBD4M-2
	PUR	NPN	—		879P-N3UBD4M-2	

(1) The 2 at the end of the cat. no. is for 2 m cable length. Replace the 2 with 0M3 (0.3 m), 1 (1 m), 5 (5 m), or 10 (10 m) for standard lengths.

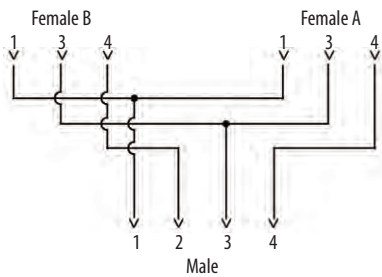
**Snap-On Female, Screw-On Male V-Cables**

No. of Pins	Wire Size, AWG	Jacket Material	LED Type	Cat. No. <sup>(1)</sup>
3-pin	24	Yellow PVC	—	879P-S3UBD4M-2
			—	879P-Z3UBD4M-2
			PNP	879P-K3UBD4M-2
			PNP	879P-W3UBD4M-2
			NPN	879P-J3UBD4M-2
			NPN	879P-Y3UBD4M-2
4-pin			—	879P-S4UBDM-2
			—	879P-Z4UBDM-2

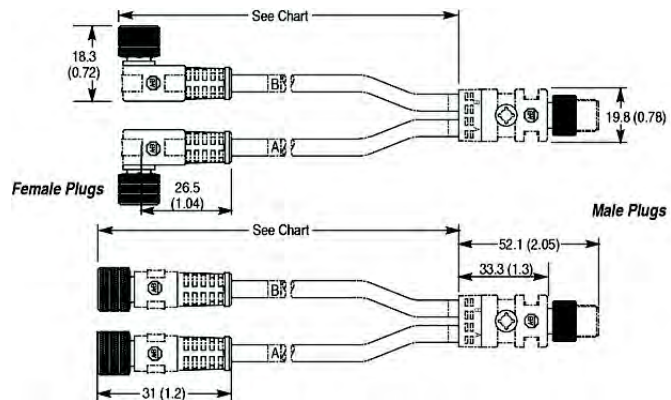
(1) The 2 at the end of the cat. no. is for 2 m cable length. Replace the 2 with 0M3 (0.3 m), 1 (1 m), 5 (5 m), or 10 (10 m) for standard lengths.

Change UB to:	For:
JB	24 AWG Black Halogen Free PUR Cable

**Typical Wiring Diagrams**



**Approximate Dimensions**



### Splitters, Pico Style Pico to Pico, DC Micro to Pico



Splitter

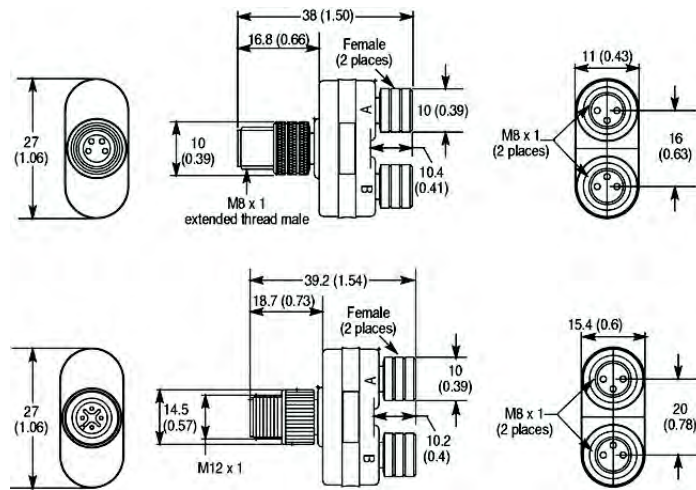
#### Specifications

Attribute	Value
Certifications	UL Recognized and CSA Certified
<b>Mechanical</b>	
Material	Black PUR
Connector insert material	PUR
Receptacle shell material	Nickel-plated brass
Contact material	Gold-plated palladium/nickel
O-Ring Material	Viton <sup>®</sup>
<b>Electrical</b>	
Assembly rating	60V AC/75V DC, 4 A
<b>Environmental</b>	
Enclosure type rating	IP67; NEMA 6P
Operating temperature	-0...+85 °C (-32...+185 °F)

**Product Selection**

Connector Style	Wiring Diagram	Assembly Rating	Pinout	Cat. No.
Standard Wiring Pico to Pico		60V AC/75V DC, 4 A	A	898P-32YY-PM4
Standard Wiring Pico to DC Micro			B	898P-32YY-DM4

**Approximate Dimensions**



**Pinout**

Pinout	Face View Pinout					
	A		B		C	
	Female	Female	Male	Female	Female	Male
	3-pin Pico Female to 4-pin Pico Male			3-pin Pico Female to 4-pin DC Micro Male		



## Receptacles, Pico Style 24 AWG, M8 Mounting Threads



Pico Receptacles

### Specifications

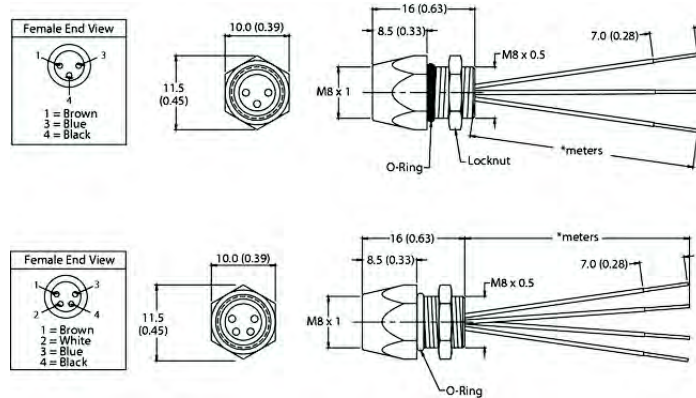
Attribute	Value
Certifications	UL Recognized and CSA Certified
<b>Mechanical</b>	
Receptacle shell material	Nickel-plated brass
Connector insert material	Nylon
Contact material	Gold over nickel-plated brass
<b>Electrical</b>	
Assembly rating	125V AC/DC, 4.0 A
<b>Environmental</b>	
Enclosure type rating	NEMA 1, 3, 4, 6P and IEC IP67, IP68, IP69K
Operating temperature	-40...+105 °C (-22...+221 °F)
O-Ring Material	Nitrile rubber or Viton®

**Product Selection**

No. of Pins	Assembly Rating	Color Code	Panel Mount Threads	Cat. No. <sup>(1)</sup>	
				Female	Male
3-pin	125V AC/DC, 4.0 A	A	M8 x 0.5	888P-F3AB4-1	888P-M3AB4-1
4-pin				888P-F4AB4-1	888P-M4AB4-1

(1) The 1 at the end of the cat. no. is for 1 m cable length. Replace the 1 with OM3 (0.3 m) for standard lengths.

**Approximate Dimensions [mm (in.)]**



**Pinout and Color Code**

Color Code	Face View Pinout			
	3-pin		4-pin	
	<b>Female</b>	<b>Male</b>	<b>Female</b>	<b>Male</b>
A	1 Brown 3 Blue	4 Black	1 Brown 2 White	3 Blue 4 Black

## Terminal Chambers, Pico Style



3-pin Pico Female

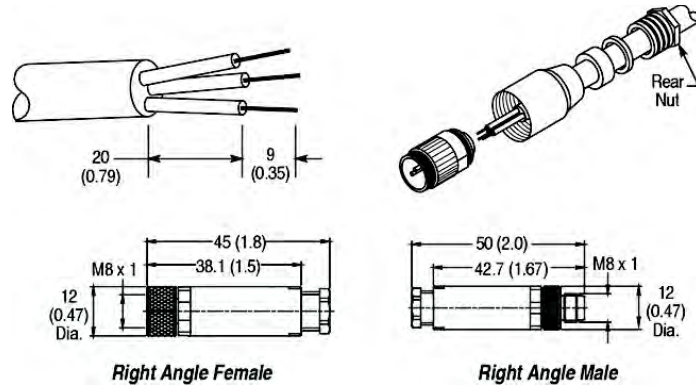
### Specifications

Attribute	Value
Certifications	UL Recognized and CSA Certified
<b>Mechanical</b>	
Coupling nut material	Nickel-plated brass
Connector shell material	PBT
Contact material	Gold-plated palladium nickel
Cable type	20 AWG (0.5 mm <sup>2</sup> ) max
<b>Electrical</b>	
Assembly rating	3- or 4-pin: 60V, 4 A
<b>Environmental</b>	
Enclosure type rating	IP67
Operating temperature	-40...+88 °C (-40...+185 °F)

**Product Selection**

No. of Pins	Cable Jacket Diameter [mm (in.)]	Assembly Rating	Rear Nut Thread Size	Cat. No.	
				Straight Female	Straight Male
3-pin	3.5...5.0 (0.14...0.20)	60V, 4 A	PG 7	871A-TS3-P	871A-TS3-PM
4-Pin				871A-TS4-P	871A-TS4-PM

**Approximate Dimensions**



**Pinout and Color Code**

Color Code	Face View Pinout			
	3-pin		4-pin	
	<b>Female</b>	<b>Male</b>	<b>Female</b>	<b>Male</b>
A	1 Brown 3 Blue	4 Black	1 Brown 2 White	3 Blue 4 Black

## Field Attachable, Pico Style Insulated Displacement Connector



Pico Style Male

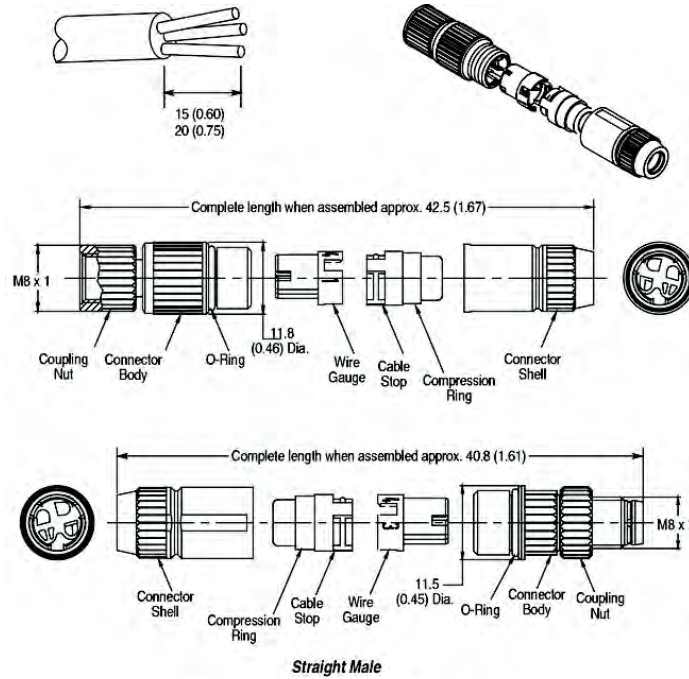
### Specifications

Attribute	Value
<b>Mechanical</b>	
Coupling nut material	Nickel-plated brass
Connector shell material	Nickel-plated brass
Connector material	Hytrel Htr 8068
Field Contact material	Gold-plated palladium nickel
IDC installations, Max.	10
Cable diameter	1.0...1.6 mm (0.04...0.063 in.)
Wire Size	22...26 AWG (min. individual strand size = 38 AWG)
<b>Environmental</b>	
Enclosure type rating	IP67; NEMA 6P
Operating temperature	-25...+85 °C (-13...+185 °F)
Installation temperature	-5...+50 °C (23...+122 °F)

**Product Selection**

Connector Style	Cable Jacket Diameter [mm (in.)]	Assembly Rating	Cat. No.	
			Female	Male
Straight	4.0...5.1 (0.16...0.20)	22V 3 A	889P-F3DC-H	889P-M3DC-H
			889P-F4DC-H	889P-M4DC-H

**Approximate Dimensions**



**Pinout and Color Code**

Color Code	Face View Pinout			
	3-pin		4-pin	
	<b>Female</b>	<b>Male</b>	<b>Female</b>	<b>Male</b>
A	1 Brown 3 Blue	4 Black	1 Brown 2 White	3 Blue 4 Black

**Cordsets & Patchcords, M23 QD Style, 18 or 18/22 AWG, Black or Yellow PVC**



12-pin M23 Cordset

**Specifications**

Attribute	Value
Certifications	UL Recognized and CSA Certified
<b>Mechanical</b>	
Coupling nut material	Nickel-plated brass
Connector material	Molded oil-resistant PUR
Contact material	Gold over nickel-plated brass
Cable type	9- & 12-conductor cables: oil-resistant PVC, yellow, PLTC, 300V, UL/CSA, 18 AWG 11-conductor cable: oil-resistant PUR, black, ITC/PLTC, 300V, UL/CSA (3) 18 AWG, (8) 22 AWG 19-conductor cable: oil-resistant PUR, black, ITC/PLTC, 300V, UL/CSA (3) 18 AWG, (16) 22 AWG
Bend radius	10x diameter
<b>Electrical</b>	
Cable rating	300V
Assembly rating	9- & 12-pin: 6 A 11- & 19-conductor: 18 AWG-8 A, 22 AWG-2 A
<b>Environmental</b>	
Enclosure type rating	IP67, IP68
Temperature rating [C (F)]	-20...+105° (-4...+221°)

**Cordsets Product Selection [mm (in.)]**

No. of Conductors	Cable Material	Color Code	Connector Type	Cable diameter	Cat. No. <sup>(1)</sup>					
					Straight Female	Right Angle Female	Straight Male	Right Angle Male	Straight Male	Right Angle Male
					(Internal Threads)		w/Internal Threads		w/External Threads	
9	PVC	A	12-pin	10.1 (0.40)	889M-FX9AE-2	889M-RX9AE-2	889M-UX9AE-2	889M-VX9AE-2	889M-MX9AE-2	889M-EX9AE-2
11	PUR	B	12-pin	10.1 (0.40)	889M-F11RM-2	889M-R11RM-2	889M-U11RM-2	889M-V11RM-2	889M-M11RM-2	889M-E11RM-2
12	PVC	C	12-pin	10.8 (0.43)	889M-F12AH-2	889M-R12AH-2	889M-U12AH-2	889M-V12AH-2	889M-M12AH-2	889M-E12AH-2
19	PUR	A	19-pin	12.1 (0.48)	889M-F19RM-2	889M-R19RM-2	889M-U19RM-2	889M-V19RM-2	889M-M19RM-2	889M-E19RM-2

(1) The 2 at the end of the cat. no. is for 2 m cable length. Replace the 2 with 5 (5 m) or 10 (10 m) for standard cable lengths.

**Patchcords with Internal Threads Product Selection**

No. of Conductors	Cable Material	Connector Type	Cable diameter [mm (in.)]	Cat. No. <sup>(1)</sup>			
				Straight Female Straight Male	Straight Female Right Angle Male	Right Angle Female Straight Male	Right Angle Female Right Angle Male
				w/Internal Threads			
9	PVC	12-pin	10.1 (0.40)	889M-FX9AEMU-2	889M-FX9AEMV-2	889M-RX9AEMV-2	889M-RX9AEMV-2
11	PUR	12-pin	10.1 (0.40)	889M-F11RMMU-2	889M-F11RMMV-2	889M-R11RMMU-2	889M-R11RMMV-2
12	PVC	12-pin	10.8 (0.43)	889M-F12AHMU-2	889M-F12AHMV-2	889M-R12AHMU-2	889M-R12AHMV-2
19	PUR	12-pin	12.1 (0.48)	889M-F19RMMU-2	889M-F19RMMV-2	889M-R19RMMU-2	889M-R19RMMV-2

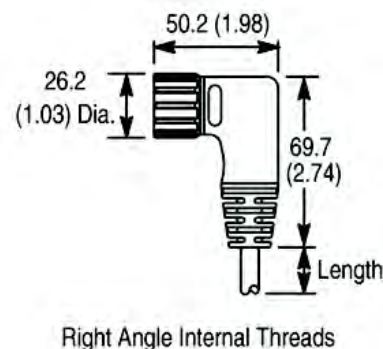
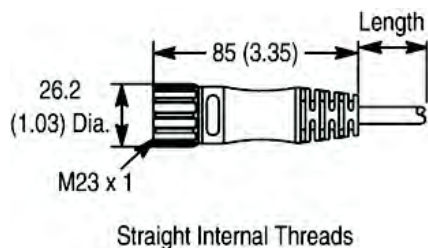
(1) The 2 at the end of the cat. no. is for 2 m cable length. For Cat. No. 889M-F12AHMU only, replace the 2 with 0M3 (0.3 m), 0M6 (0.6 m), 1 (1 m), or 3 (3 m) for standard cable lengths. For all other cat. nos., replace the 2 with 0M3 (0.3 m), 1 (1 m), 5 (5 m) or 10 (10 m) for standard cable lengths.

**Patchcords with External Threads Product Selection**

No. of Conductors	Cable Material	Connector Type	Cable diameter [mm (in.)]	Cat. No. <sup>(1)</sup>			
				Straight Female Straight Male	Straight Female Right Angle Male	Right Angle Female Straight Male	Right Angle Female Right Angle Male
				w/External Threads			
9	PVC	12-pin	10.1 (0.40)	889M-FX9AEMM-2	889M-FX9AEME-2	889M-RX9AEME-2	889M-RX9AEME-2
11	PUR	12-pin	10.1 (0.40)	889M-F11RMMM-2	889M-F11RMME-2	889M-R11RMMM-2	889M-R11RMME-2
12	PVC	12-pin	10.8(0.43)	889M-F12AHMM-2	889M-F12AHME-2	889M-R12AHMM-2	889M-R12AHME-2
19	PUR	19-pin	12.1 (0.48)	889M-F19RMMM-2	889M-F19RMME-2	889M-R19RMMM-2	889M-R19RMME-2

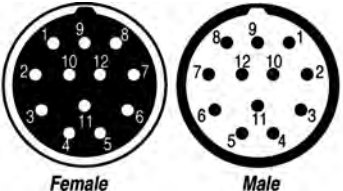
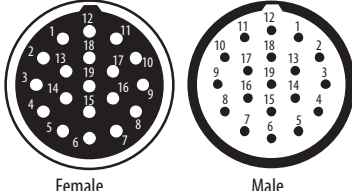
(1) The 2 at the end of the cat. no. is for 2 m cable length. For Cat. No. 889M-F12AHMU only, replace the 2 with 0M3 (0.3 m), 0M6 (0.6 m), 1 (1 m), or 3 (3 m) for standard cable lengths. For all other cat. nos., replace the 2 with 0M3 (0.3 m), 1 (1 m), 5 (5 m) or 10 (10 m) for standard cable lengths.

**Approximate Dimensions**





**Pinout and Color Code**

Color Code	Face View Pinout					
	12-pin			19-pin		
	 <p style="text-align: center;"><i>Female</i>                      <i>Male</i></p>			 <p style="text-align: center;">Female                      Male</p>		
A	9-Conductor					
	1 Brown 2 NA 3 Blue 4 White	5 NA 6 Green 7 Yellow 8 Gray	9 Pink 10 Red 11 NA 12 Green/Yellow	1 Violet 2 Red 3 Gray 4 Red/Blue 5 Green/Black <sup>(1)</sup> 6 Blue <sup>(1)</sup>	7 Gray/Pink 8 White/Green 9 White/Yellow 10 White/Gray 11 Black 12 Green/Yellow	13 Yellow/Brown 14 Brown/Green 15 White 16 Yellow 17 Pink 18 Gray/Brown 19 Brown <sup>(1)</sup>
B	11-Conductor (pins 9/10 jumpered)			—		
	1 White 2 Green 3 Yellow 4 Gray	5 Pink 6 Red 7 Black 8 Violet	9 Blue <sup>(1)</sup> 10 Blue 11 Brown <sup>(1)</sup> 12 Green/Yellow <sup>(1)</sup>			
C	12-Conductor			—		
	1 Brown 2 Blue 3 Gray 4 Pink	5 Red 6 Yellow 7 White 8 Red/Blue	9 Black 10 Violet 11 Gray/Pink 12 Green/Yellow			

(1) 18 AWG

## Receptacles, M23 Style, 18 or 18/22 AWG, M20 Mounting Threads



12-pin Male M23 Receptacle

### Specifications

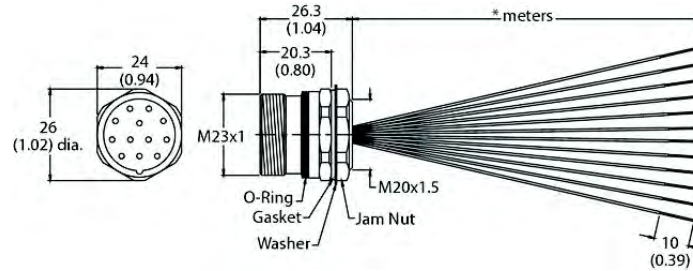
Attribute	Value
<b>Mechanical</b>	
Receptacle shell material	Nickel-plated brass
Connector insert material	Nylon or PBT/Gray
Contact material	Machined brass with gold over nickel plating
Cable type	Oil-resistant PVC, 18 AWG stranded copper, 300V, UL Recognized and CSA Certified
<b>Electrical</b>	
Assembly rating	9-, 11-, 12-pin: 300V, 6 A 19-pin: 63V, 12 A
<b>Environmental</b>	
Enclosure type rating	IP67, NEMA 6P, 1200 psi (8270 kPa) washdown
Operating temperature	-20...+105 °C (-4...+221 °F)

**Product Selection**

No. of Pins	Color Code	Wire Size	Cat. No. <sup>(1)</sup>	
			Female	Male
9-Pin	A	18 AWG	888M-F12X9AE-1	888M-M12X9AE-1
11-Pin	B	3/18 & 8/22 AWG	888M-F11AE-1	888M-M11AE-1
12-Pin	C	18 AWG	888M-F12AE-1	888M-M12AE-1
19-Pin	A	3/18 & 16/22 AWG	888M-F19AE-1	888M-M19AE-1

(1) The 1 at the end of the cat. no. is for 1 ft (12 in.) cable length. Replace the 1 with 0F5 for 0.5 ft (6 in.) cable length.

**Approximate Dimensions [mm (in.)]**



**Pinout and Color Code**

Color Code	Face View Pinout					
	9-, 11-, or 12-pin			19-pin		
A	9-Pin					
	1 Brown 2 NA 3 Blue 4 White	5 NA 6 Green 7 Yellow 8 Gray	9 Pink 10 Red 11 NA 12 Green/Yellow	1 Violet 2 Red 3 Gray 4 Red/Blue 5 Green 6 Blue	7 Gray/Pink 8 White/Green 9 White/Yellow 10 White/Gray 11 Black 12 Green/Yellow	13 Yellow/Brown 14 Brown/Green 15 White 16 Yellow 17 Pink 18 Gray/Brown 19 Brown
B	11-Pin (pins 9/10 jumpered)					
	1 White 2 Green 3 Yellow 4 Gray	5 Pink 6 Red 7 Black 8 Violet	9 Blue <sup>(1)</sup> 10 Blue 11 Brown <sup>(1)</sup> 12 Green/Yellow			
C	12-Pin					
	1 Brown 2 Blue 3 Gray 4 Pink	5 Red 6 Yellow 7 White 8 Red/Blue	9 Black 10 Violet 11 Gray/Pink 12 Green			

## Field Attachable, M23 Style Solder Type



Field-Attachable M23 Connector

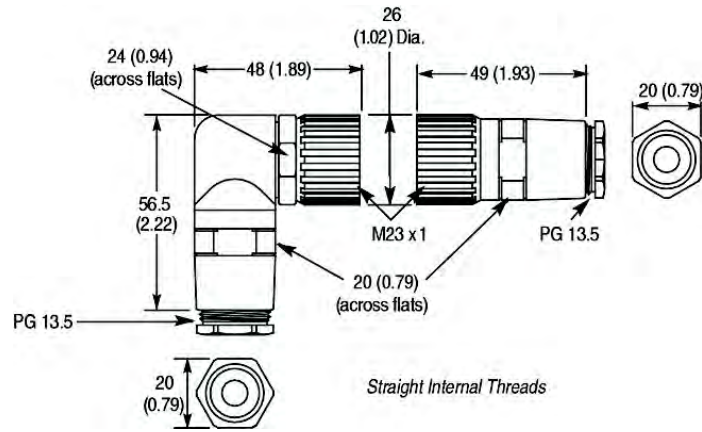
### Specifications

Attribute	Value
<b>Mechanical</b>	
Coupling nut material	Nickel-plated brass
Connector shell material	Nickel-plated brass
Contact material	Gold-plated palladium/nickel
Cable diameter	10...14 mm (0.39...0.55 in.)
<b>Electrical</b>	
Assembly rating	63V, 12 A power, 3 A all others
<b>Environmental</b>	
Enclosure type rating	IP65
Operating temperature	-20...+105 °C (-4...221 °F)

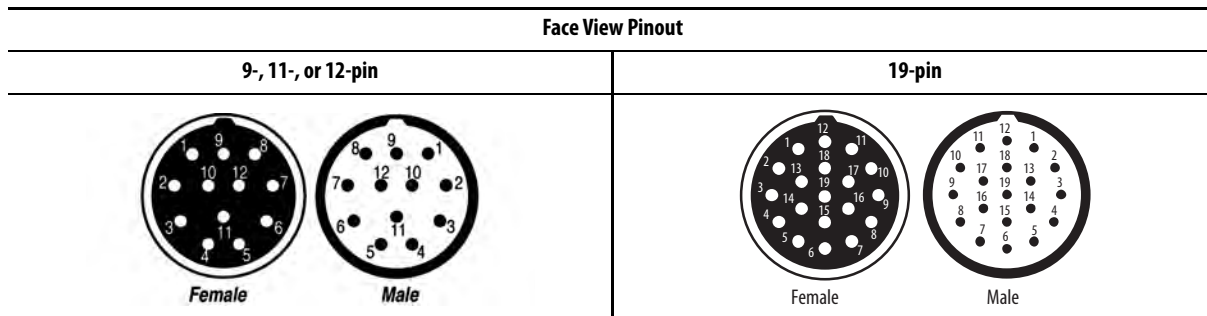
**Product Selection**

No. of Pins	Cable Jacket Diameter [mm (in.)]	Assembly Rating	Cat. No.			
			Straight Female	Right Angle Female	Straight Male	Right Angle Male
12-Pin	10...14 (0.39...0.55)	63V, 12 A power, 3 A all others	889M-F12AH-T	889M-R12AH-T	889M-M12AH-T	889M-E12AH-T
19-Pin			889M-F19AH-T	889M-R19AH-T	889M-M19AH-T	889M-E19AH-T
Spanner wrench (sold separately)						889A-M23SW

**Approximate Dimensions**



**Pinout**



## DIN Valve A Style (18 mm)



Valve A Cordset

### Specifications

Attribute	Value
Certifications	UL Recognized and CSA Certified
<b>Mechanical</b>	
Housing material	Molded oil-resistant PUR (NonLED version: black, LED version: clear)
Gasket material	Nitrile
Contact material	Tin-plated copper
Mounting screw	18-8 Stainless Steel
Cable type	Oil-resistant black PVC jacket, 18 AWG conductor, 300V, UL Recognized and CSA Certified
Home Run Connection	10x diameter, min.
Cable diameter [mm (in.)]	18 AWG, 3-conductor: 5.5 (0.216), 4-conductor: 6 (0.235)
<b>Electrical</b>	
Cable rating	UL AWM style 2661 VW-1 105C 300V, CSA AWM A/B I/II 80C 300V FT1, UV oil and water resistant
Assembly rating	Straight wired: 0...250V AC/DC, 10 A LED & Varistor surge suppression: 24V or 115V AC/DC, 10 A
<b>Environmental</b>	
Enclosure type rating	IP67, NEMA 6
Temperature rating	-25...+80 °C (-13...+176 °F)

**Cordset Product Selection**

Pinout	Color Code	Wiring	Voltage	Orientation	Cat. No.
2-pole + dual ground	Brown, Blue, Green/Yellow	Straight Wired	0...250V AC/DC	N/A	889V-RZ2DBE-2
					889V-RZ2DBE-5
					889V-RZ2DBE-10
		LED & Varistor Surge Suppression	24V AC/DC		889V-LD2DBE-2
					889V-LD2DBE-5
					889V-LD2DBE-10
			115V AC/DC		889V-LA2DBE-2
					889V-LA2DBE-5
					889V-LA2DBE-10
3-pole + ground	Brown, Blue, Black, Green/Yellow	Straight Wired	0...250V AC/DC	Ground Toward Cable Exit	889V-RZ3GBE-2
					889V-RZ3GBE-5
					889V-RZ3GBE-10
				Ground Away from Cable Exit	889V-RZ3ABE-2
					889V-RZ3ABE-5
					889V-RZ3ABE-10

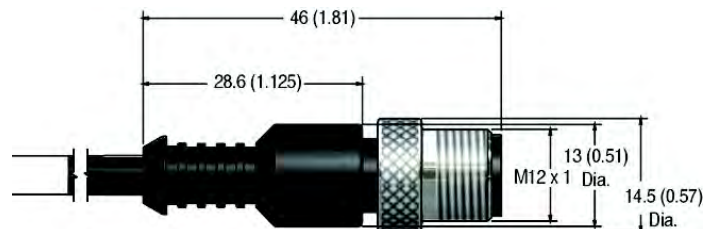
**IMPORTANT** The 20 AWG PUR DIN valve cordsets may be ordered by replacing BE with RD, for example, 889V-LA2DRD-2.

**Patchcords**

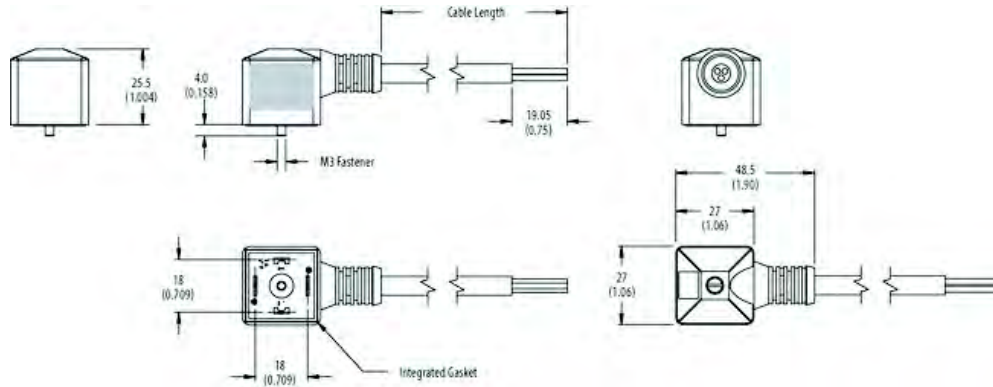
Pinout	Wire Size, AWG	Jacket Material	Wire Type	Voltage	Orientation	Cat. No. <sup>(1)</sup>
2-pole + dual ground	20	PVC	Standard	0...120V	N/A	889V-RZ2DBDD-2
			LED & MOV	24V	N/A	889V-LD2DBDD-2
			LED & MOV	120V	N/A	889V-LA2DBDD-2
3-pole + ground			Standard	0...120V	N/A	889V-RZ3GBDD-2
			Standard	0...120V	N/A	889V-RZ3ABDD-2

(1) The 2 at the end of the cat. no. is for 2 m cable length. Replace the 2 with 1 (1 m), 5 (5 m), or 10 (10 m) for standard lengths.

**IMPORTANT** The 20 AWG PUR DIN valve cordsets may be ordered by replacing BD with RD, for example, 889V-LA2DRD-2.

**M12 Connector End of Patchcord**

**Approximate Dimensions**



**Pinout**

Face View Pinout			
2-pin	3-pin		5-pin
Dual Ground	Ground Toward Cable Exit	Ground Away from Cable Exit	
1 Brown 2 Blue 3 Black GND Yellow & Green			1 Brown 2 White 3 Blue 4 Black 5 Gray



## DIN Valve B Style (11 mm)



Valve B Cordset

### Specifications

Attribute	Value
Certifications	UL Recognized and CSA Certified
<b>Mechanical</b>	
Housing material	Molded oil-resistant PUR (NonLED version: black, LED version: clear)
Gasket material	Nitrile
Contact material	Tin-plated copper
Mounting screw	18-8 stainless steel
Cable type	Oil-resistant PVC jacket, 18 AWG conductor, 300V, UL Recognized and CSA Certified
Home Run Connection	10x diameter, min
Cable diameter [mm (in.)]	18 AWG, 3-conductor: 5.5 (0.216), 4-conductor: 6 (0.235)
<b>Electrical</b>	
Cable rating	UL AWM style 2661 VW-1 105C 300V, CSA AWM A/B I/II 80C 300V FT1, UV oil and water resistant
Assembly rating	Straight Wired: 0...250V AC/DC, 10 A LED & Varistor surge suppression: 24V or 115V AC/DC, 10 A
<b>Environmental</b>	
Enclosure type rating	IP67, NEMA 6
Temperature rating	-25...+80 °C (-13...+176 °C)

**Product Selection**

Pinout	Color Code	Cable type	Wiring	Voltage	Orientation	Cat. No.
2-pole + ground	Brown, Blue, Green/ Yellow	18 AWG Black PVC	Straight Wired	0...250V AC/DC	Ground Toward Cable Exit	889W-RZ2GBE-2
						889W-RZ2GBE-5
						889W-RZ2GBE-10
					Ground Away from Cable Exit	889W-RZ2ABE-2
						889W-RZ2ABE-5
						889W-RZ2ABE-10
			LED & Varistor Surge Suppression	24V AC/DC	Ground Toward Cable Exit	889W-LD2GBE-2
						889W-LD2GBE-5
						889W-LD2GBE-10
					Ground Ground Away from Cable Exit	889W-LD2ABE-2
						889W-LD2ABE-5
						889W-LD2ABE-10
LED & Varistor Surge Suppression	115V AC/DC	Ground Toward Cable Exit	889W-LA2GBE-2			
			889W-LA2GBE-5			
			889W-LA2GBE-10			
		Ground Ground Away from Cable Exit	889W-LA2ABE-2			
			889W-LA2ABE-5			
			889W-LA2ABE-10			

**IMPORTANT** The 20 AWG PUR DIN valve cordsets may be ordered by replacing BE with RD, for example, 889W-RZ2GRD-2.

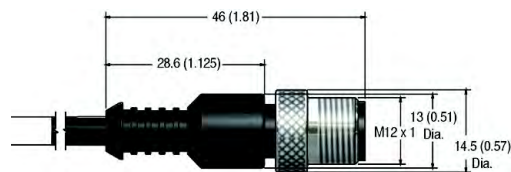
**Patchcords**

Pinout	Wire Size, AWG	Jacket Material	Wire Type	Voltage	Orientation	Cat. No. <sup>(1)</sup>
2-pole + dual ground	20	PVC	Standard	0...120V	N/A	889W-RZ2GBDD-2
						889W-RZ2ABDD-2
			LED & MOV	24V		889W-LD2ABDD-2
				120V		889W-LA2ABDD-2

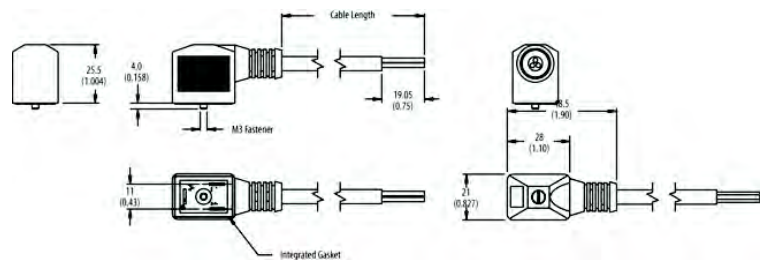
(1) The 2 at the end of the cat. no. is for 2 m cable length. Replace the 2 with 1 (1 m), 5 (5 m), or 10 (10 m) for standard lengths.

**IMPORTANT** The 20 AWG PUR DIN valve cordsets may be ordered by replacing BE with RD, for example, 889V-LA2DRD-2.



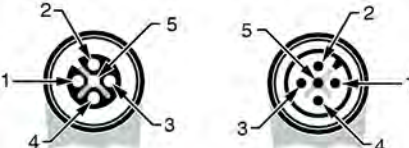
**M12 Connector End of Patchcord**



**Approximate Dimensions**



**Pinout**

Face View Pinout		
2-pin		5-pin
Ground Toward Cable Exit	Ground Away from Cable Exit	
		 <p style="text-align: center;">Female                  Male</p>
<p>1 Brown</p> <p>2 Blue</p> <p>GND Yellow &amp; Green</p>		<p>Brown</p> <p>White</p> <p>3 Blue</p> <p>Black</p> <p>Gray</p>

## DIN Valve C Style (9.4 mm)



Valve C Cordset

### Specifications

Attribute	Value
Certifications	UL Recognized and CSA Certified
<b>Mechanical</b>	
Housing material	Molded oil-resistant PUR (NonLED version: black, LED version: clear)
Gasket material	Nitrile
Contact material	Tin-plated copper
Mounting screw	18-8 Stainless Steel
Cable type	Oil-resistant PVC jacket, 20 AWG conductor, 300V, UL Recognized and CSA Certified
Bend radius	10x diameter, min.
Cable diameter [mm (in.)]	20 AWG, 4-conductor: 5.2 (0.205)
<b>Electrical</b>	
Cable rating	UL AWM style 2661 VW-1 105C 300V, CSA AWM A/B I/II 80C 300V FT1, UV oil and water resistant
Assembly rating	Straight Wired: 0...250V AC/DC, 6 A LED & Varistor Surge Suppression: 24V or 115V AC/DC, 6 A
<b>Environmental</b>	
Enclosure type rating	IP67, NEMA 6
Temperature rating	-25...+80 °C (-13...+176 °F)

**Cordsets Product Selection**

Pinout	Color Code	Cable type	Wiring	Voltage	Cat. No.
2-pole + dual ground	Brown, Blue, Green/Yellow	20 AWG Black PVC	Straight Wired	0...250V AC/DC	889Z-RZ2DBD-2
					889Z-RZ2DBD-5
					889Z-RZ2DBD-10
			LED & Varistor Surge Suppression	24V AC/DC	889Z-LD2DBD-2
					889Z-LD2DBD-5
					889Z-LD2DBD-10
				115V AC/DC	889Z-LA2DBD-2
					889Z-LA2DBD-5
					889Z-LA2DBD-10

**IMPORTANT** The 20 AWG PUR DIN valve cordsets may be ordered by replacing BD with RD, for example, 889Z-RZ2DRD-2.

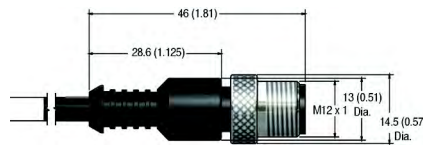
**Patchcords Product Selection**

Pinout	Wire Size, AWG	Jacket Material	Wire Type	Voltage	Orientation	Cat. No. <sup>(1)</sup>
2-pole + dual ground	20	PVC	Standard	0...120V	N/A	889Z-RZ2DBDD-2
			LED & MOV	24V		889Z-LD2DBDD-2

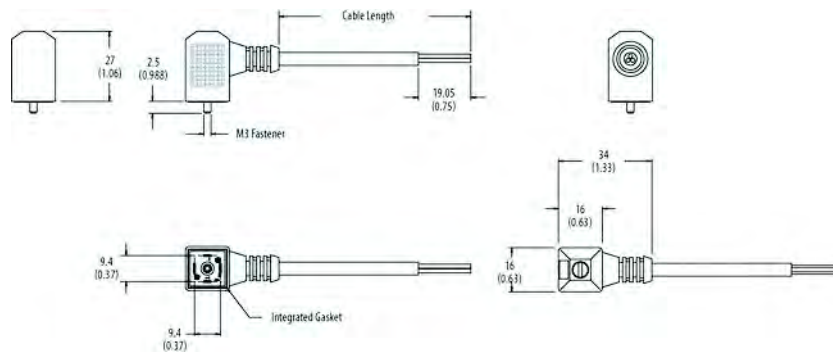
(1) The 2 at the end of the cat. no. is for 2 m cable length. Replace the 2 with 1 (1 m), 5 (5 m), or 10 (10 m) for standard lengths.

**IMPORTANT** The 20 AWG PUR DIN valve cordsets may be ordered by replacing BD with RD, for example, 889V-LA2DRD-2.


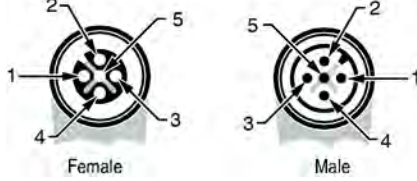
**M12 Connector End of Patchcord**



**Approximate Dimensions [mm (in.)]**



**Pinout**

Face View Pinout	
2-pin	5-pin
<b>Dual Ground</b>	
	
<p>1 Brown 2 Blue GND Yellow &amp; Green</p>	<p>1 Brown 2 White 3 Blue 4 Black 5 Gray</p>

### Field Attachable, DIN Valve A (18 mm)



Valve A

### Specifications

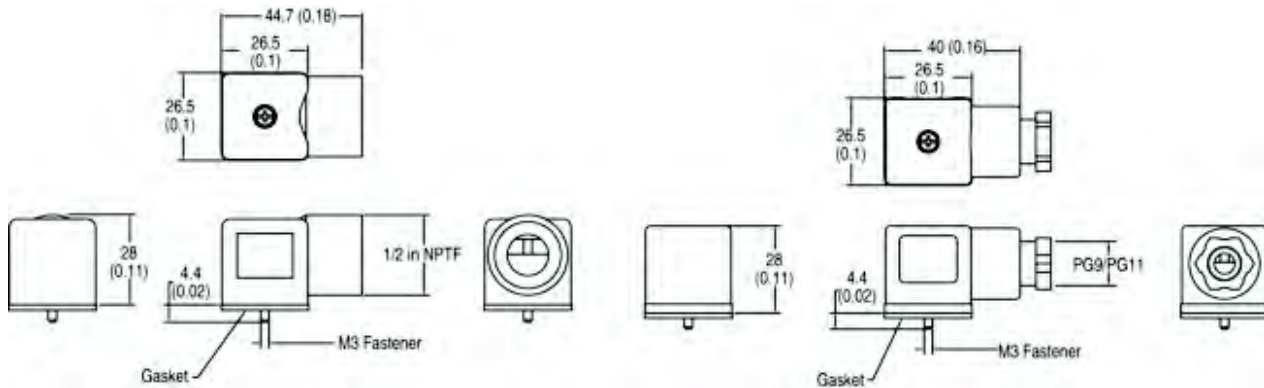
Attribute	Value
<b>Mechanical</b>	
Connector shell material	Polyamid Nylon 6
Gasket material	Nitrile
Mounting screw	Zinc-plated steel
No. of main contacts	2 + ground, 3 + ground
Cable type	Connector accepts 14 AWG max
<b>Electrical</b>	
Assembly rating	Straight Wire: 0...250V, 10 A LED & Varistor surge suppression: 24V, 115V or 230V, 10 A
<b>Environmental</b>	
Enclosure type rating	IP65; NEMA 4
Operating temperature	-25...+90 °C (-13...+194 °F)

**Product Selection**

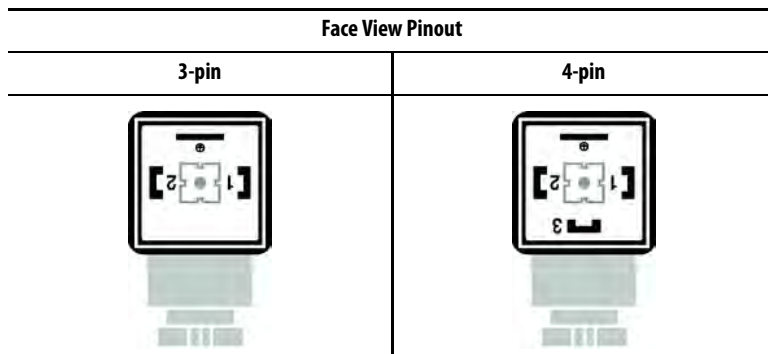
Pinout	Wiring	Assembly Rating	Thread Size	Accepts Outer Cable diameter [mm (in.)]	Cat. No. <sup>(1)</sup>	
2-pole + ground	Straight Wired	0...250V, 10 A	PG9	5.99...8.0 (0.236...0.315)	889V-RZ2GCF-T	
			PG11	8.0...9.9 (0.315...0.39)	889V-RZ2GFF-T	
			1/2 inch-NPTF	10.4 (0.41) max.	889V-RZ2GNF-T	
	LED & Varistor Surge Suppression	24V, 10 A	24V, 10 A	PG9	5.99...8.0 (0.236...0.315)	889V-LD2GCF-T
				PG11	8.0...9.9 (0.315...0.39)	889V-LD2GFF-T
				1/2 inch-NPTF	10.4 (0.41) max.	889V-LD2GNF-T
		115V, 10 A	115V, 10 A	PG9	5.99...8.0 (0.236...0.315)	889V-LA2GCF-T
				PG11	8.0...9.9 (0.315...0.39)	889V-LA2GFF-T
				1/2 inch-NPTF	10.4 (0.41) max.	889V-LA2GNF-T
		230V, 10 A	230V, 10 A	PG9	5.99...8.0 (0.236...0.315)	889V-LC2GCF-T
				PG11	8.0...9.9 (0.315...0.39)	889V-LC2GFF-T
				1/2 inch-NPTF	10.4 (0.41) max.	889V-LC2GNF-T
3-pole + ground	Straight Wired	0...250V, 10 A	PG9	5.99...8.0 (0.236...0.315)	889V-RZ3GCF-T	
			PG11	8.0...9.9 (0.315...0.39)	889V-RZ3GFF-T	
			1/2 inch-NPTF	10.4 (0.41) max.	889V-RZ3GNF-T	

(1) Each catalog number is a single bag of five pieces.

**Approximate Dimensions [mm (in.)]**



**Pinout**



**IMPORTANT** The faceplate may be oriented in 90° increments.



**Field Attachable, DIN Valve B (11 mm) and BEU (10 mm)**



Valve B & BEU

**Specifications**

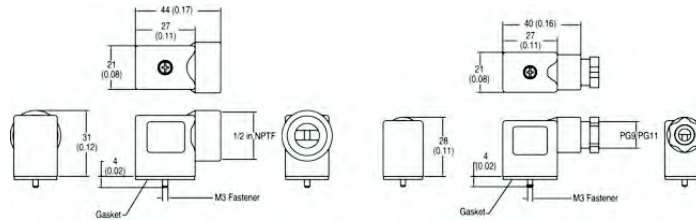
Attribute	Value
<b>Mechanical</b>	
Connector shell material	Polyamid Nylon 6
Gasket material	Nitrile
Mounting screw	Zinc-plated steel
No. of main contacts	2 + ground
Cable type	Connector accepts 14 AWG max
<b>Electrical</b>	
Assembly rating	Straight Wire: 0...250V, 10 A LED & Varistor surge suppression: 24V, 115V or 230V, 10 A
<b>Environmental</b>	
Enclosure type rating	IP65; NEMA 4
Operating temperature	-25...+90 °C (-13...+194 °F)

**Product Selection**

Pinout	Wiring	Assembly Rating	Thread Size	Accepts Outer Cable diameter [mm (in.)]	Cat. No. <sup>(1)</sup>	
2-pole + ground	Straight Wired	0...250V, 10 A	PG9	5.99...8.0 (0.236...0.315)	889V-RZ2GCF-T	
			PG11	8.0...9.9 (0.315...0.39)	889V-RZ2GFF-T	
			1/2 inch-NPTF	10.4 (0.41) max.	889V-RZ2GNF-T	
	LED & Varistor Surge Suppression	24V, 10 A	24V, 10 A	PG9	5.99...8.0 (0.236...0.315)	889V-LD2GCF-T
				PG11	8.0...9.9 (0.315...0.39)	889V-LD2GFF-T
				1/2 inch-NPTF	10.4 (0.41) max.	889V-LD2GNF-T
		115V, 10 A	115V, 10 A	PG9	5.99...8.0 (0.236...0.315)	889V-LA2GCF-T
				PG11	8.0...9.9 (0.315...0.39)	889V-LA2GFF-T
				1/2 inch-NPTF	10.4 (0.41) max.	889V-LA2GNF-T
		230V, 10 A	230V, 10 A	PG9	5.99...8.0 (0.236...0.315)	889V-LC2GCF-T
				PG11	8.0...9.9 (0.315...0.39)	889V-LC2GFF-T
				1/2 inch-NPTF	10.4 (0.41) max.	889V-LC2GNF-T
3-pole + ground	Straight Wired	0...250V, 10 A	PG9	5.99...8.0 (0.236...0.315)	889V-RZ3GCF-T	
			PG11	8.0...9.9 (0.315...0.39)	889V-RZ3GFF-T	
			1/2 inch-NPTF	10.4 (0.41) max.	889V-RZ3GNF-T	

(1) Each catalog number is a single bag of five pieces.

**Approximate Dimensions [mm (in.)]**



**Pinout**

Face View Pinout	
DIN Valve B Style (11 mm)	DIN Valve BEU Style (10 mm)
<b>3-pin</b>	

**IMPORTANT** The faceplate may be oriented in 180° increments.

### DIN Valve C (9.4 mm) and CEU (8 mm)



Valve C & CEU

#### Specifications

Attribute	Value
Connector shell material	Polyamid Nylon 6
Gasket material	Nitrile
Mounting screw	Zinc-plated steel
No. of main contacts	2 + ground, 3 + ground
Cable type	Connector accepts 20 AWG max.
<b>Electrical</b>	
Assembly rating	Straight Wire: 250V AC/300V DC, 6 A LED & Varistor surge suppression: 24V, 115V or 230V, 6 A
<b>Environmental</b>	
Enclosure type rating	IP65; NEMA 4
Operating temperature	-25...+90 °C (-13...+194 °F)

**DIN Valve C Style (9.4 mm) Product Selection**

Pinout	Wiring	Assembly Rating	Thread Size	Accepts Outer Cable diameter [mm (in.)]	Cat. No. <sup>(1)</sup>
2-pole + ground	Straight Wired	250V AC/300V DC	PG7	3.98...5.99 (0.157...0.236)	889Z-RZ2GDE-T
	LED & Varistor Surge Suppression	24V			889Z-LD2GDE-T
		115V			889Z-LA2GDE-T
3-pole + ground	Straight Wired	250V AC/300V DC			889Z-RZ3GDE-T

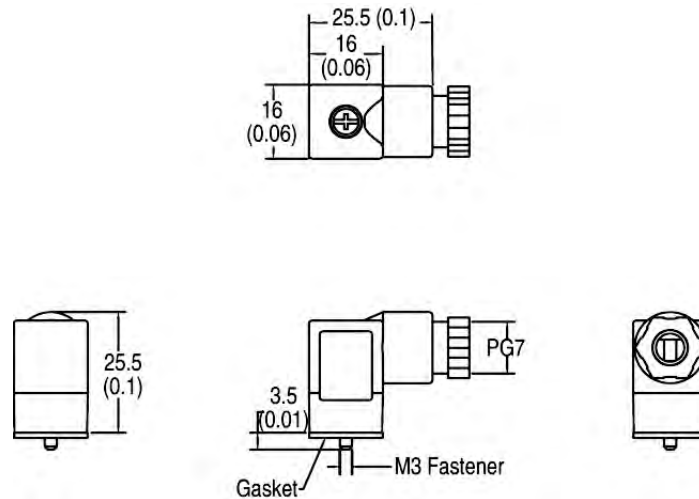
(1) Each catalog number is a single bag of five pieces.

**DIN Valve CEU Style (8 mm)**

Pinout	Wiring	Assembly Rating	Thread Size	Accepts Outer Cable diameter [mm (in.)]	Cat. No. <sup>(1)</sup>
2-pole + ground	Straight Wired	250V AC/300V DC	PG7	3.98...5.99 (0.157...0.236)	889S-RZ2GDE-T
	LED & Varistor Surge Suppression	24V			889S-LD2GDE-T
		115V			889S-LA2GDE-T
		230V			889S-LC2GDE-T
3-pole + ground	Straight Wired	250V AC/300V DC			889S-RZ3GDE-T

(1) Each catalog number is a single bag of five pieces.

**Approximate Dimensions [mm (in.)]**



**Pinout**

Face View Pinout			
DIN Valve C Style (9.4 mm)		DIN Valve CEU Style (8 mm)	
3-pin	4-pin	3-pin	4-pin

**IMPORTANT** The faceplate may be oriented in 90° increments.

## Receptacles, Insulation Displacement Connectors (IDC)



4-pin IDC Receptacle

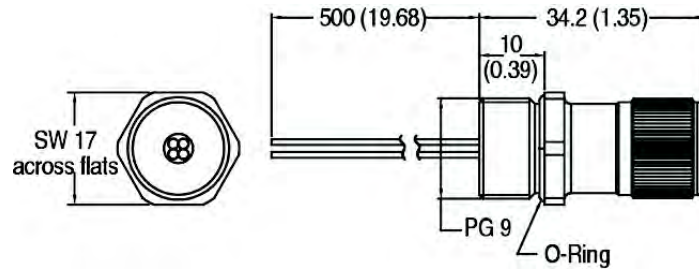
### Specifications

Attribute	Value
<b>Mechanical</b>	
Receptacle shell material	Nickel-plated brass
Coupling nut material	Nickel-plated brass
Connector shell material	Nickel-plated brass
Connector insert material	Black PUR
Contact material	Gold over nickel-plated brass
IDC installations	10, max
Conductor OD [mm (in.)]	24...22 AWG, 1.6...2.0 (0.063...0.079)
Cable diameter	1.2...1.6 (0.047...0.063)
Wire insulation	Oil-resistant PVC, 22 AWG stranded copper, 300V, UL Recognized
<b>Environmental</b>	
Enclosure type rating	IP67, 1200 psi (8270 kPa) washdown
Operating temperature	-20...+85 °C (-4...+185 °F)

**Product Selection**

Description	Connector Body	Panel Mount Threads	Wire Color	Assembly Rating	Cat. No.
4-pin Straight Receptacle	Brass with nickel-plating	PG 9	1 Brown 2 White 3 Blue 4 Black	24...22 AWG 32V 4 A	888H-T4DC3-0M5

**Approximate Dimensions**



### Cable Spools



22 & 18 AWG, PVC

### Specifications

Attribute	Value
Cable type	Oil-resistant PVC jacket, PVC insulated conductors, 300V
Cable rating	UL AWM style 2661 VW-1 105C 300V, CSA AWM A/B I/II 80C 300V FT1, UV oil and water resistant
Operating temperature	-20...+105 °C (-4...+221 °F)

### Product Selection

Jacket Material	No. of Conductors	Color Code	Jacket Color	Wire Size, AWG [AWG]	Nominal Outer Diameter	Shielding	Cat. No. <sup>(1)</sup>	
PVC	2	Brown, Blue	Yellow	22	5.3 mm (0.21 in.)	None	889-C2AC-S50	
	3	Brown, Blue, Black	Yellow	22	5.3 mm (0.21 in.)	None	889-C3AC-S50	
		Green, Red w/Black stripe, Red w/White stripe	Yellow	22	6.7 mm (0.26 in.)	Braided	889-C3ECA-S50	
	Yellow		18	6.7 mm (0.26 in.)	None	889-C3AEA-S50		
	4	Brown, White, Blue, Black	Yellow	22	5.3 mm (0.21 in.)	None	889-C4AC-S50	
			Black	22	5.3 mm (0.21 in.)	None	889-C4BC-S50	
			Blue	22	5.3 mm (0.21 in.)	None	889-C4LC-S50	
			Yellow	22	6.7 mm (0.26 in.)	Braided	889-C4EC-S50	
			Yellow	18	6.7 mm (0.26 in.)	None	889-C4AE-S50	
			Yellow	22	5.5 mm (0.22 in.)	Foil	889-C4FC-S50	
			Green, Red w/Black stripe, Red w/White stripe, Red	Yellow	22	6.7 mm (0.26 in.)	Braided	889-C4ECA-S50
				Yellow	18	6.7 mm (0.26 in.)	None	889-C4AEA-S50
	5	Brown, White, Blue, Black, Grey	Yellow	22	6.0 mm (0.24 in.)	None	889-C5AC-S50	
			Black	22	6.0 mm (0.24 in.)	None	889-C5BC-S50	
			Yellow	22	6.7 mm (0.26 in.)	Braided	889-C5EC-S50	
		Green, Red w/Black stripe, Red w/White stripe, Red, Red w/Yellow stripe	Yellow	22	6.7 mm (0.26 in.)	None	889-C5ECA-S50	
			Yellow	18	6.7 mm (0.26 in.)	None	889-C5AEA-S50	
	6	Green, Red w/Black, Red w/White, Red, Red w/Yellow, Red w/Blue stripe	Yellow	22	6.7 mm (0.26 in.)	Braided	889-C6ECA-S50	

(1) The 50 at the end of the catalog number is for 50 m cable length. Replace the 50 with 100 (100 m) or 200 (200 m) for other standard cable lengths.

## Cable Spools



### Specifications

Attribute	Value
Cable type	Oil-resistant jacket, PVC insulated conductors, 300V
Cable rating	PUR: UL AWM style 20866 VW-1 80C 300V, CSA AWM A/B I/II 80C 300V FT1, UV oil and water resistant; TPE: UL AWM style 20327 VW-1 105C 300V, CSA AWM A/B I/II 105C 300V FT1, UV oil and water resistant
Operating temperature	PUR: -20...+80 °C (-4...+176 °F); TPE: -20...+105 °C (-4...+221 °F)

PUR 22 AWG & TPE 18 AWG

### Product Selection

Jacket Material	No. of Conductors	Color Code	Jacket Color	Wire Size, AWG	Nominal Outer Diameter	Shielding	Cat. No.
PUR	4	Brown, White, Blue, Black	Yellow	22	5.2 mm (0.21 in.)	None	889-C4UC-S50 <sup>(1)</sup>
	5	Brown, White, Blue, Black, Grey		22	5.2 mm (0.21 in.)		889-C5UC-S50 <sup>(1)</sup>
TPE	4	Brown, White, Blue, Black		18	7.0 mm (0.28 in.)		889-C4HJ-S50 <sup>(1)</sup>
TPE ToughLink™	4	Brown, White, Blue, Black		10	—	—	889-C4HKC-SC5 <sup>(2)</sup>

(1) The 50 at the end of the catalog number is for 50 m cable length. Replace the 50 with 100 (100 m) or 200 (200 m) for other standard cable lengths.

(2) Available in 25, 50, and 75 m cable lengths.



## Additional Resources

These documents contain additional information concerning related products from Rockwell Automation.

Resource	Description
Industrial Automation Wiring and Grounding Guidelines, publication <a href="#">1770-4.1</a>	Provides general guidelines for installing a Rockwell Automation industrial system.
Product Certifications website, <a href="http://www.rockwellautomation.com/global/certification/overview.page">http://www.rockwellautomation.com/global/certification/overview.page</a>	Provides declarations of conformity, certificates, and other certification details.

You can view or download publications at <http://www.rockwellautomation.com/global/literature-library/overview.page>. To order paper copies of technical documentation, contact your local Allen-Bradley distributor or Rockwell Automation sales representative.

## Rockwell Automation Support

Use the following resources to access support information.

<b>Technical Support Center</b>	Knowledgebase Articles, How-to Videos, FAQs, Chat, User Forums, and Product Notification Updates.	<a href="http://www.rockwellautomation.com/knowledgebase">www.rockwellautomation.com/knowledgebase</a>
<b>Local Technical Support Phone Numbers</b>	Locate the phone number for your country.	<a href="http://www.rockwellautomation.com/global/support/get-support-now.page">www.rockwellautomation.com/global/support/get-support-now.page</a>
<b>Direct Dial Codes</b>	Find the Direct Dial Code for your product. Use the code to route your call directly to a technical support engineer.	<a href="http://www.rockwellautomation.com/global/support/direct-dial.page">www.rockwellautomation.com/global/support/direct-dial.page</a>
<b>Literature Library</b>	Installation Instructions, Manuals, Brochures, and Technical Data.	<a href="http://www.rockwellautomation.com/literature">www.rockwellautomation.com/literature</a>
<b>Product Compatibility and Download Center (PCDC)</b>	Get help determining how products interact, check features and capabilities, and find associated firmware.	<a href="http://www.rockwellautomation.com/global/support/pcdc.page">www.rockwellautomation.com/global/support/pcdc.page</a>

## Documentation Feedback

Your comments will help us serve your documentation needs better. If you have any suggestions on how to improve this document, complete the How Are We Doing? form at [http://literature.rockwellautomation.com/idc/groups/literature/documents/du/ra-du002\\_-en-e.pdf](http://literature.rockwellautomation.com/idc/groups/literature/documents/du/ra-du002_-en-e.pdf).

Rockwell Automation maintains current product environmental information on its website at <http://www.rockwellautomation.com/rockwellautomation/about-us/sustainability-ethics/product-environmental-compliance.page>.

Allen-Bradley, Rockwell Software, Rockwell Automation, and LISTEN. THINK. SOLVE are trademarks of Rockwell Automation, Inc. Trademarks not belonging to Rockwell Automation are property of their respective companies.

Rockwell Otomasyon Ticaret A.Ş., Kar Plaza İş Merkezi E Blok Kat:6 34752 İçerenköy, İstanbul, Tel: +90 (216) 5698400

**[www.rockwellautomation.com](http://www.rockwellautomation.com)**

### Power, Control and Information Solutions Headquarters

Americas: Rockwell Automation, 1201 South Second Street, Milwaukee, WI 53204-2496 USA, Tel: (1) 414.382.2000, Fax: (1) 414.382.4444  
Europe/Middle East/Africa: Rockwell Automation NV, Pegasus Park, De Kleetlaan 12a, 1831 Diegem, Belgium, Tel: (32) 2 663 0600, Fax: (32) 2 663 0640  
Asia Pacific: Rockwell Automation, Level 14, Core F, Cyberport 3, 100 Cyberport Road, Hong Kong, Tel: (852) 2887 4788, Fax: (852) 2508 1846

Publication 889-TD002B-EN-P - November 2018