

# piCLASSIC Xi40-3 x6 COAX® Cartridge

Item number: piCLASSIC\_Xi40-3\_x6



- Patented COAX® technology inside – the most energy efficient ejector technology.
- The Xi cartridge offers high flow at deep vacuum levels to 28.1 -inHg.
- Suitable for non-porous applications when deep vacuum level is needed.
- Large capacity range, available with 1 to 6 COAX® Xi40 three-stage cartridges. A smaller piCLASSIC can easily be upgraded with more capacity if needed.
- Low-weight, configurable and modular design.
- Easy disassembly for maintenance.

## Technical data

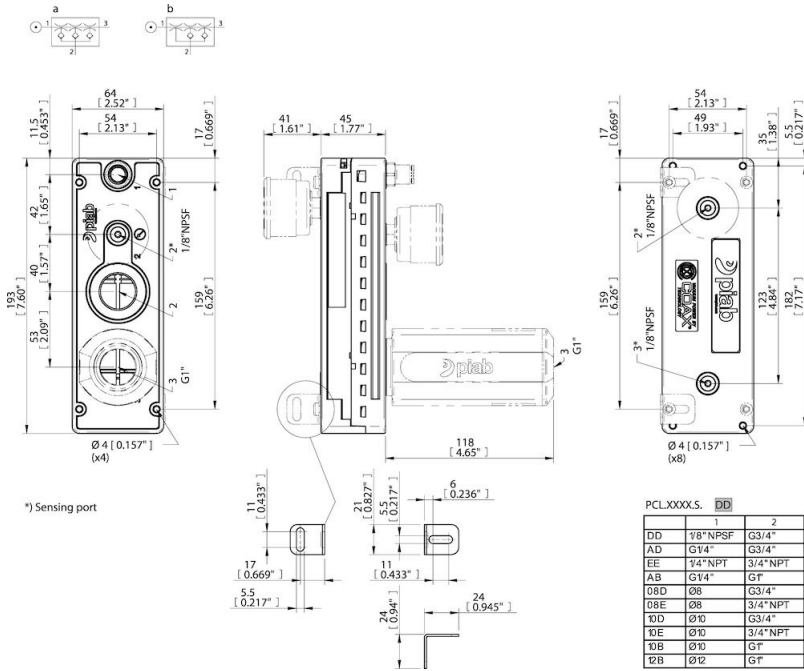
Description	Unit	Value
Material	-	Al, CuZn, NBR (FKM), PA, PUR, SS
Temperature, max.	°F	176.0
Temperature, min.	°F	14.0
Weight, max.	oz	54.69
Weight, min.	oz	49.69
Feed pressure, max.	psi	0.10
Noise level, max.	dBA	69
Noise level, min.	dBA	64
Feed pressure, optimum, min.	psi	0.065
Volume, internal	in <sup>3</sup>	21.54
Vacuum, max.	-inHg	28.054
Weight, silencer	oz	4.23
Weight, vacuum gauge	oz	1.76

## Performance

Feed pressure psi	Air consumption scfm	Vacuum flow (scfm) at different vacuum levels (-inHg)													Max vacuum psi
		0	2	5	8	11	14	17	20	23	26	29	32	35	
65.25	23.31	8.36	4.52	3.37	2.30	1.29	1.016	0.76	0.57	0	0.32	0.053	0	0	≥13.78

Feed pressure psi	Air consumption scfm	Evacuation time (s/cf) to reach different vacuum levels (-inHg)													Max vacuum psi
		2	5	8	11	14	17	20	23	26	28	29	29	29	
65.25	23.31	0.0015	0.0035	0.0065	0.012	0.018	0.030	0.041	0.059	0.11	0	0	0	0	≥13.78

## Dimensional drawings



Values specified in this data sheet are tested at (unless otherwise stated):

- Room temperature (20°C [68°F] ± 3°C [5.5°F]).
- Standard atmosphere (101.3 [29.9 inHg] ± 1.0 kPa [0.3 inHg]).
- Compressed air quality, DIN ISO 8573-1 class 4.

## Accessories

01.26.362 | Silencer G3/4" with thread insert 1" - 3/4"