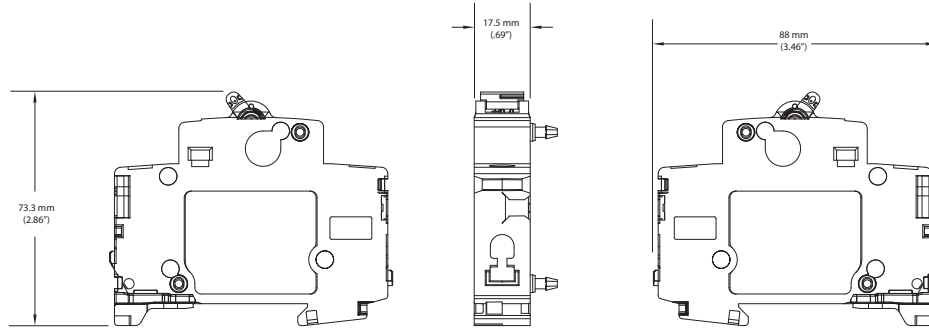
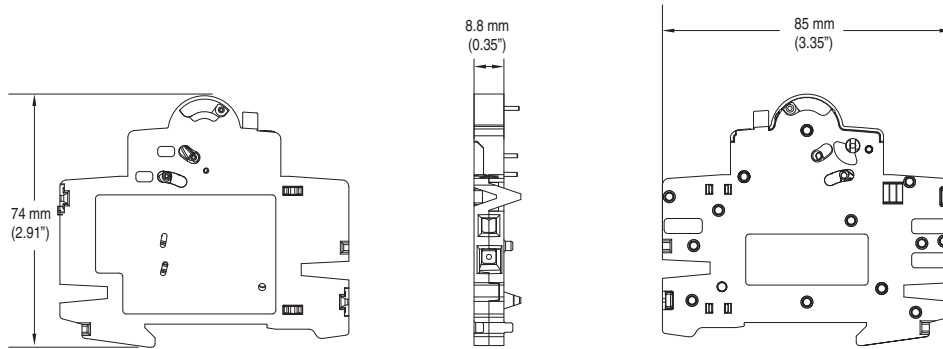


## Accessory Approximate Dimensions

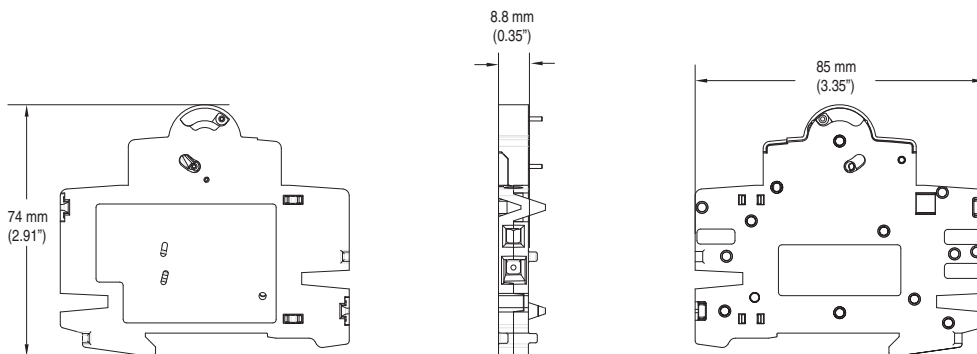
**Note:** Dimensions are shown in millimeters (inches). Dimensions are not intended for manufacturing purposes.



**189-AST1 and 189-AST2**



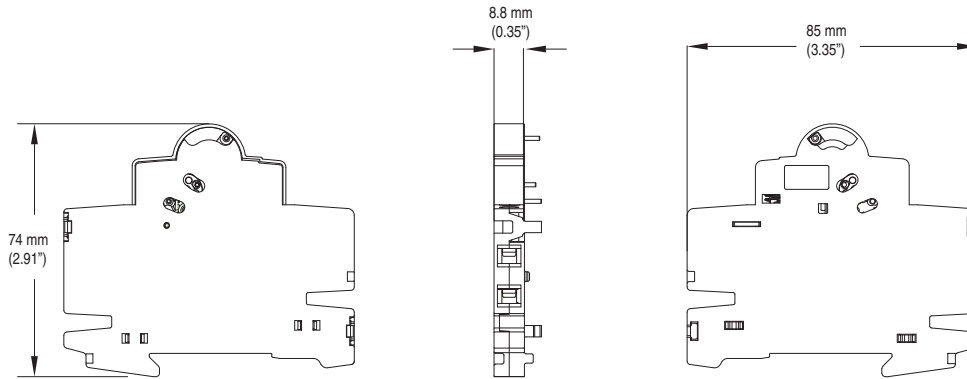
**189-ASCR3**



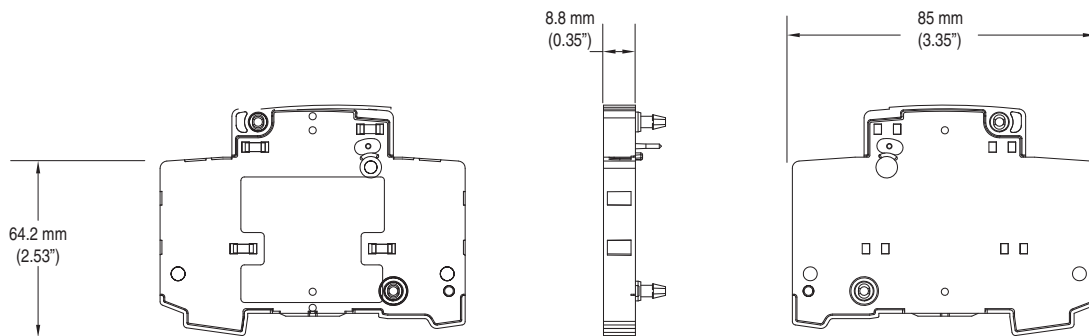
**189-AR3**

## Accessory Approximate Dimensions

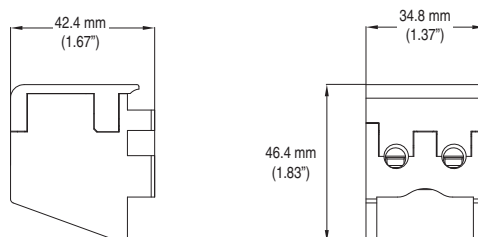
**Note:** Dimensions are shown in millimeters (inches). Dimensions are not intended for manufacturing purposes.



**189-AR11, 189-AR02, 189-AR20**



**189-AL11, 189-AL02, and 189-AL20**



**189-AB01 and 189-AB10**