

*Lean Business*

*Broader Solutions*

***Machine Tool  
Services Catalog***

FANUC CNC Parts

imagination at work 

# ***Machine Tool Services Catalog***

## ***GFJ-028L - March 2004***

**Section 1: Field Services and Contracts**

**Section 2: Renewal Parts**

**Section 3: Training and Documentation**

**Section 4: Productivity Solutions**

**Section 5: Machine Tool Probes**

**Appendix A: Conditions of Sale**

**Appendix B: CNC Warranty**

**Appendix C: Forms**

**Appendix D: Renewal Parts Pricing**

### **Contact GE Fanuc:**

**Telephone: 1-800-GE FANUC**

**Web: [www.gefanuc.com/cnc](http://www.gefanuc.com/cnc)**

**Email: [service.center@gefanuc.com](mailto:service.center@gefanuc.com)**

# FANUC CNC Parts



# ***Introduction***

Mission .....	.iii
Products and Services Overview .....	.iii
CNC Services .....	.iii
Productivity Solutions .....	.iii
Pricing .....	.iv
Terms and Conditions .....	.iv
Purchase Order Addresses .....	.iv
Returned Parts Packaging Instructions .....	.v

# FANUC CNC Parts



## Mission

GE Fanuc Automation is dedicated to delivering the maximum productivity from your machine tools by providing unique products and services that improve machine availability, performance and quality. Improving your overall equipment efficiency is a critical element in making your business globally competitive.

GE Fanuc Automation is a joint venture between General Electric and FANUC LTD, two World leaders in services and manufacturing technology. This partnership delivers productivity to you by providing all the traditional products and services of the worlds leading CNC manufacturer, supercharged with unique solutions applied around the machine and across your business enterprise.

## Products and Services Overview

### *CNC Services*

Traditional CNC services include service, parts, and training with special value to your business:

- > 1 year warranty on new, refurbished and repaired parts
- > 100% price match guarantee on Genuine FANUC replacement parts
- > Next day shipping until 8:00 pm EST (5:00 pm PST)
- > Emergency parts orders and shipping on weekends
- > Comprehensive spare parts analysis reports
- > Productivity enhancing options and upgrades
- > Instant searches with electronic documentation on CD-ROM
- > Technical support packages, including 24/7 assistance
- > Comprehensive CNC and Laser Service Contracts

Parts warehouses are strategically located to ensure quick delivery. Repair centers are capable of quick turn-around and our field engineers can be dispatched to customer sites to maximize end-user machine uptime and productivity.

### *Productivity Solutions*

GE Fanuc is much more than a CNC Services provider. Our CIMPLICITY manufacturing software solutions can monitor a single cell or manage your total enterprise. Our OI and PLC solutions integrate and control individual machines and entire factories. For more information on the wide range of solutions GE Fanuc can bring to you, visit [www.gefanuc.com](http://www.gefanuc.com).

Around the machine tool we can help you compete with increasing global competition by driving your overall equipment efficiency to world-class levels.

*i* CELL<sub>OEE</sub> software suite monitors all your machine's process availability, performance and quality.

*i* CELL<sub>OEE</sub> identifies root causes related to breakdowns, setup, speed, minor stoppages, yield and part quality that can be improved to increase overall equipment efficiency, and GE Fanuc's Six Sigma qualified staff are available to help you formalize your process improvement projects.

GE Fanuc also delivers a suite of solutions too, for example:

- > Eliminate major causes of downtime with preventative maintenance services including ball bar analysis, backup tools and services, and a suite of remote monitoring and maintenance solutions
- > 40% setup reduction by automating machine setup including tool length, work offsets and 3D coordinate system rotation, the one stop shop for Renishaw probe solutions
- > 40% speed increase utilizing high-speed machining technologies for finishing operations and unique adaptive control solutions for roughing operations.
- > Increased yield and product quality by increasing process capability with calibration services and machine compensations, and with on-machine metrology

## Pricing

All prices are quoted in U.S. dollars and are subject to change without notice. Pricing include packaging, but exclude freight, tax and insurance. All freight is shipped F.O.B. point of shipment.

## Terms and Conditions

Terms of business are thirty (30) days net from shipment. For full terms and conditions refer to Appendix A.

## Purchase Order Addresses

Please Address Purchase Orders to:

GE Fanuc Automation Americas  
Route 29 North & 606  
PO Box # 8106 - Mail Drop # D32  
Charlottesville, VA 22906

For CNC Labor Services and Training please mark Purchase Orders to:

Att.: Field Service Dispatch – Machine Tool Engineering Services  
Department Fax (434) 978-6286

For CNC Systems, Parts and Repairs please mark Purchase Orders to:

Att.; CNC Order Service Center  
Fax: (434) 978-5673  
Email: [service.center@gefanuc.com](mailto:service.center@gefanuc.com)

Federal Tax ID # 54-1393332

# FANUC CNC Parts



## Returned Parts Packaging Instructions

All material returns must be pre-authorized by requesting a Material Return Authorization (RMA). Material received without an enclosed RMA will be returned to the shipper.

All material returned to GE Fanuc must be packed properly in order to prevent shipping damage. GE Fanuc cannot assume responsibility for shipping damage and cannot accept damaged goods and reserves the right to reject improperly packed material.

The preferred method of packaging is to use the original shipping container supplied by GE Fanuc unless it has been damaged during unpacking.

Electronic modules, such as printed circuit boards or modules containing printed circuit boards, must be placed inside antistatic or anti-conductive bags. If such a bag is not available, pink polycarbonate plastic wrapping is an acceptable substitute. The boards or modules must also be packed in protective containers to prevent shock and vibration.

Assemblies such as spindle and servo amplifiers, CRT's, motors, printers, PC's must be wrapped in plastic so that loose dunnage does not penetrate the units. Units must be secured inside the shipping container with shock-absorbing material to prevent movement inside the container.

Large and heavy units such as motors must be crated and bolted down or otherwise securely attached to the crate.

Shipping containers must be properly labeled with proper handling instructions to the carrier.



# FANUC CNC Parts



# ***Field Services and Contracts***

Troubleshooting and On-site Repairs .....	1-3
Schedule of Fees (Hourly Rates) - USA / CANADA .....	1-3
Qualifications to Schedule of Fees .....	1-4
Project Engineering .....	1-6
Startup Assistance .....	1-6
Level of Effort Contracts .....	1-7
Laser Services .....	1-7
Service And Support Contracts .....	1-8
Parts and Labor Renewal Contract Pricing for USA, Canada and Mexico ...	1-10
Service Prevention Plus .....	1-10
CNC Systems with up to 6 Axis and/or Spindles .....	1-10
Power Mates (PM) and PM/CNC combinations .....	1-10
Machine with Power Mate(s) (up to 6 axes and/or spindles) .....	1-10
Volume Discounts on Renewal Contracts .....	1-10
Labor Only Contract Pricing for USA, Canada and Mexico .....	1-11
Power Mates (PM) and PM/CNC Combinations .....	1-11
Power Mate without CNC .....	1-11
Lasers .....	1-11
Labor Only Contracts for South America .....	1-12
All CNCs .....	1-12
International Service Contracts and Directory .....	1-13
Europe and Middle East .....	1-14
ASIA, AUSTRALASIA, SOUTH AFRICA .....	1-15
Americas .....	1-16
CNC Technical Assistance Hotline .....	1-17
Subscription Packages .....	1-17

# FANUC CNC Parts



# Troubleshooting and On-site Repairs

For products not covered by a service contract, GE Fanuc offers service on demand (Spot Service). Spot Service can be scheduled by calling our toll free number. Our Dispatcher will request:-

- > Name of Caller and Phone Number
- > Company name and address
- > Site address for the CNC equipment
- > Machine Tool Builder Name
- > CNC Control Model
- > CNC Control Serial Number
- > An official Purchase Order (if unit is not covered by labor contract) displaying company logo, address and billing information
- > Description of Problem (if applicable, provide alarm/diagnostic message)

## Schedule of Fees (Hourly Rates) - USA / CANADA

<u>Description</u>	<u>Cat. Number</u>	<u>Price US\$</u>
Standard Time	44A729337-015	\$125
Overtime	44A729337-016	\$188
Premium Time	44A729337-017	\$250
Travel Time - Standard Time	44A729337-361	\$75
Travel Time - Overtime	44A729337-362	\$113
Advanced Engineering	44A729337-350	\$150
Advanced Engineering Overtime	44A729337-351	\$225
Advanced Engineering Premium	44A729337-352	\$300
Start- up Assistance / Day	44A729337-190	\$900
GE Fanuc Parts		At Parts List
Expenses		Cost + 10%
Mileage		\$0.50 per mile
Non-GE Fanuc Materials		Cost + 25%
Request for Receipts	44A729337-390	\$200

Notes:

- > All Services will be billed a minimum of four (4) hours.
- > Refer to Qualifications of Schedule of Fees and Appendix A for Terms and Conditions
- > Canadian rates apply in Canadian Funds (CAD). Importing taxes and fees are extra when applicable.

### *Qualifications to Schedule of Fees*

1. Time spent reporting services rendered will be included in all billing.
2. Standard Time rates are applied to all hours accrued during:
  - Non holiday, normal business days.
  - Monday through Friday.
  - 8:00 AM to 5:00 PM local time.
3. Overtime rates are applied to all hours accrued during:
  - Other than Standard Time hours
  - Before 8:00 AM and/or after 5:00 PM, Monday through Friday
  - All day Saturday, 8:00 AM to 5:00 PM
4. Premium Time rates apply to all hours accrued during:
  - Other than Standard or Overtime hours
  - Before 8:00 AM and/or after 5:00 PM on Saturdays
  - All Sundays
  - All GE Fanuc Holidays
5. All Services will be billed in a minimum of four (4) hours per day.
6. Advanced Engineering relates to Laser, Servo Tuning, ladder development and design, programming and other non-repair services.
7. Start-up assistance is on per day basis for a maximum of 5 days. Additional days will be charged at standard rates.
8. Long term on-site assistance (more than 4 weeks) and Laser Preventive Maintenance Services will be quoted separately based on customer's needs.
9. Travel Time billing is based on all hours accrued from departure time to arrival time, in both directions (to/from the job site).
10. All hours, expenses and mileage accrued while on contract will be billed at the specified rate.
11. GE Fanuc materials will be billed at the standard rates.
12. Non GE Fanuc materials, purchased to perform the contracted service will be billed at the rates set in Schedule of Fees.
13. All prices listed exclude taxes.
14. All quoted prices apply only to GE Fanuc brand products installed in the Continental USA, Puerto Rico, Canada and Mexico. (Unless otherwise specified.)
15. A service contract becomes effective only after acceptance by GE Fanuc of a properly completed and signed Service Agreement from the customer purchasing the service.
16. Service contracts are invoiced at the beginning of the contract period. Initial 1, 2 and 3-year contract orders must be received prior to end user start-up. Terms are net 30 days from the date of invoice for full amount of contract.
17. All prices are subject to change without notice.

# FANUC CNC Parts



18. Arrival or response times are estimates only. An attempt is made to respond within 24 hours but GE Fanuc cannot guarantee that this response time can always be met. Equipment covered by a service contract is given first priority.
19. Field option installations are given a lower response priority than equipment malfunctions. These installations must be scheduled in advance.
20. Spot service charges are invoiced upon completion of work. Terms are net 30 days from date of invoice.
21. Prices listed for Spot Service do not include parts. Parts are covered according to the applicable GE Fanuc parts warranty terms and conditions or are purchased separately by the customer.
22. All service or phone assistance requests must include the CNC and LASER Serial Number.
23. International Service requests may require appropriate export licenses which must be secured in advance by the requester and require extra time to schedule. In certain countries such as the former Eastern Bloc and the People's Republic of China, GE Fanuc may not be able to provide certain services or the services may require special export licenses.
24. Local service (and parts warranty) in the People's Republic of China, and possibly other countries as determined by export regulations.
25. GE Fanuc provides warranty replacement parts from its USA facilities. In most countries, the local GE Fanuc service representative will also provide local warranty support. Local parts warranty support may be provided on units covered by a labor service contract.
26. For International Service, local terms and conditions may be different and may apply.
27. For additional terms and conditions, refer to the applicable of the following, the Service Contract Agreement (GFJ-019), the Standard Conditions for Services, the Computer Numerical Control Statement of Warranty and Service Policy (GFJ-016) included in this publication.

## Project Engineering

Our Project Engineering services are available to assist with the interface of GE Fanuc products to machine tools. The scope of our Project Engineering Services is as follows:

- > Development or modification of ladder programming for operational changes or interface to external devices.
- > Establish parameter tables.
- > Assist with the interconnection of the CNC, the MDI panel, servos and spindles.
- > Assist with the design of interlocks, e-stop, over-travel limits and other safety interlocks.
- > Assist with development of MACRO programs and Open Systems design.
- > Design interfaces for external systems such as bar code readers, bar feeders, pallet changers, etc.
- > GUI Programming
- > Custom Application development

## Startup Assistance

A CNC machine tool is a major capital investment. To help maximize the return on this investment, GE Fanuc recommends that customers seek on-site expert CNC control assistance at the time of start-up, or when the equipment is relocated.

Our engineers can make the start-up of the CNC an easy process by reviewing the installation site for potential environmental concerns, quickly diagnosing and correcting problems, assisting operators and maintenance personnel with initial training and helping with trouble-free power-up.

GE Fanuc offers attractive special rates for 1, 2 or 3-day visits.

- > Two or three day assistance must be in consecutive workdays.
- > Travel and living expenses are extra.

See Schedule of Fees for pricing.

# FANUC CNC Parts



## Level of Effort Contracts

Customers with a large number of CNC controls may prefer dedicated on-site support. GE Fanuc offers attractive rates for part-time or full-time services.

Unused time on Level of Effort contracts is not refundable. Service dates must be reserved five work-days in advance to plan for availability of personnel. Selection of service personnel is at the discretion of GE Fanuc.

Services provided under a Level of Effort Support Contract are performed during regular working hours. After-hours coverage can be provided at an additional cost.

Contract services are invoiced at the beginning of the contract period.

<b>Description</b>	<b>Cat. Number</b>	<b>Price US\$</b>
2 Days per Month - Day Shift	44A729326-???	\$22,080
4 Days per Month - Day Shift	44A729326-002	\$40,800
8 Days per Month - Day Shift	44A729326-003	\$76,800
Full Time - Day Shift	44A729326-004	\$195,000

## Laser Services

Our factory trained laser engineers can help you protect your valuable laser resonator investment. Major components in the laser resonator are consumable and the total system requires regular maintenance to ensure a long and productive operating life. We offer a range of maintenance and repair services:

- > Exhaust Pump Overhaul
- > 6,000 Hour Preventative Maintenance
- > 12,000 Hour Preventative Maintenance
- > Turbo Blower Exchange Program

Programs include travel and living expense, and part replacement per the recommended maintenance schedule, ensuring that your laser is operating to factory specifications. Laser and major components must be running at the time of the service, and major components including Turbo Blowers must be in repairable condition.

Please call GE Fanuc Field Service for a price quotation for a specific laser model.

<b>Description</b>	<b>Cat. Number</b>	<b>Price</b>
Exhaust Pump Overhaul	44A729330-016	\$3,960
6,000 Hour Preventative Maintenance Program	44A729330-013	Call
12,000 Hour Preventative Maintenance Program	44A729330-014	Call
Turbo Blower Exchange Program	44A729330-015	Call
Laser Maintenance Training Class (per student)	44A729336-104	\$2,750



## Service And Support Contracts

Our contracts cover labor and travel and living expenses. After the CNC or Laser warranty period, our contracts also cover service parts thus providing an excellent value to end-user customers. For CNC systems already in operation and not previously covered, an inspection fee may be charged before the contract order is accepted.

The scope of CNC and Laser contracts is as follows:

Included	Not Included
<ul style="list-style-type: none"> <li>&gt; Troubleshooting of problems in GE Fanuc products.</li> <li>&gt; Replacement or repair of faulty components in GE Fanuc products.</li> <li>&gt; Upgrade of software to correct functional problems.</li> <li>&gt; Phone assistance to answer technical questions about the operation of GE Fanuc products.</li> <li>&gt; Renewal Service Contracts include most maintenance parts.</li> <li>&gt; Labor and travel and living expenses to perform all tasks within the service contract scope.</li> <li>&gt; All internal LASER optics are covered for repair or replacement.</li> <li>&gt; Shipping costs for parts sent to Customer Site</li> </ul>	<ul style="list-style-type: none"> <li>&gt; Installation of field options.</li> <li>&gt; Troubleshooting or repair of electrical or mechanical problems in the machine tool.</li> <li>&gt; Start-up assistance either at the Machine Tool Builder or at the End User unless specified in the Labor Service Agreement.</li> <li>&gt; Modification of the interface software or ladder.</li> <li>&gt; Customer training.</li> <li>&gt; Preparation of part programs or any other software</li> <li>&gt; Preventive maintenance (separate PM contracts available).</li> <li>&gt; Labor by any other personnel other than GE Fanuc or any other expense or material unless specifically approved by the Manager, GE Fanuc CNC Services.</li> <li>&gt; Damage or contamination by external sources or by improper maintenance practices.</li> <li>&gt; Laser turbo blower, vacuum pumps, any consumables, polarization unit optics, and output coupler damage by external causes.</li> <li>&gt; Shipping costs for parts returned by the Customer.</li> <li>&gt; Import/Export fees for installations outside USA and Canada.</li> </ul>

## Notes

- > Initial labor contracts purchased by a machine tool builder include troubleshooting assistance to the machine tool builder for up to six months from shipment from GE Fanuc plus assistance to the end user for the term of the contract.
- > Labor contracts are valid only for the site specified in the Service Agreement.
- > Renewals or Service Contracts for existing CNC units require inspection and in some cases repairs by GE Fanuc prior to acceptance of Service Agreement. Spot rates apply to provide these services.
- > Renewal contracts include component repair (or replacement, at GE Fanuc's option). Some hardware, such as fans, MDI key sheet, wiring, etc. is excluded. Contracts do not cover components damaged induced by external contamination, misuse or misapplication of the product.
- > Services provided under a labor contract are performed during regular working hours. Special labor contracts for after-hours coverage can be provided at an additional cost.
- > Units covered by a labor contract are served with a higher priority. GE Fanuc Automation makes every effort to respond within 24 hours with on-site assistance.
- > Discounted rates for Power Mate apply only for multiple units installed at the same time, in same machine.

## Parts and Labor Renewal Contract Pricing for USA, Canada and Mexico

### *Service Prevention Plus*

If you just purchased a used machine tool, or just need to ensure your current tools are up to date with the most current maintenance services, service prevention plus may be for you.

With Service Prevention Plus, a GE Fanuc service engineer will perform a comprehensive set of checks and services on your machine tool control system as well as perform a ball bar test to document the machine performance, and identify any hidden problems. Once the preventative maintenance services have been completed, the machine is backed up, the data is archived, and the control system is covered with a one-year parts and labor service contract.

<b>Description</b>	<b>Cat. Number</b>	<b>Price</b>
Service Prevention Plus	44A729329-005	\$1,925

Note: For machines with more than 6 axes/spindles: \$100 adder per year, per axis/spindle

### *CNC Systems with up to 6 Axis and/or Spindles*

<b>Description</b>	<b>Cat. Number</b>	<b>Price</b>
Renewal 1 Year Parts and Labor	44A729329-002	\$1,500
Renewal 2 Years Parts and Labor	44A729329-003	\$2,900

Note: For machines with more than 6 axes/spindles: \$100 adder per year, per axis/spindle

### *Power Mates (PM) and PM/CNC combinations*

Machine with Power Mate(s) (up to 6 axes and/or spindles)

<b>Description</b>	<b>Cat. Number</b>	<b>Price</b>
Renewal 2 Years Parts and Labor	44A729325-201	\$2,300

Additional Power Mates add \$175 per Power Mate

Machine with CNC and Power Mate (up to 6 axes and/or spindles)

<b>Description</b>	<b>Cat. Number</b>	<b>Price</b>
Renewal 2 Years Parts and Labor (CNC + 1 PM)	44A729325-301	\$6,800

Additional Power Mates add \$175 per Power Mate

### *Volume Discounts on Renewal Contracts*

For multiple parts and labor warranties for machines at the same location, the following discount schedule may be used. Contracts must be placed at the same time on a single purchase order.

10-19 Contracts	10% discount
20-30 Contracts	15% discount
30+ Contracts	Call for pricing

# FANUC CNC Parts



## Labor Only Contract Pricing for USA, Canada and Mexico

Labor Only Contracts only apply to new units, under warranty, where the parts are covered by the 2-year, new system warranty. Contracts are for up to 6 axes and/or spindles. For machines with more than 6 axes and/or spindles, add \$100 per year per axis or spindle.

### *CNC Systems*

<b>Description</b>	<b>Cat. Number</b>	<b>Price</b>
1 Year Labor	44A729325-001	\$1,100
2 Year Labor	44A729325-002	\$1,900
3 Year Labor	44A729330-010	\$2,700

### *Power Mates (PM) and PM/CNC Combinations*

#### Power Mate without CNC

<b>Description</b>	<b>Cat. Number</b>	<b>Price</b>
1 Year Labor	44A729325-102	\$1,100
2 Year Labor	44A729325-101	\$1,900

#### Power Mate with CNC

<b>Description</b>	<b>Cat. Number</b>	<b>Price</b>
1 Year Labor (CNC + 1 PM) Additional Power Mates	44A729325-103 \$110 /Power Mate	\$1,590
2 Year Labor (CNC + 1 PM) Additional Power Mates	44A729325-104 \$110 /Power Mate	\$2,750

### *Lasers*

First year of parts covered by the system warranty. See below for second year.

Labor coverage requires purchase for first and/or second year.

<b>Description</b>	<b>Cat. Number</b>	<b>Price</b>
C1000E Laser Labor Contract - Per Year	44A729349-205	\$2,650
C1000E Second Year Parts Contract	44A729349-005	\$2,150
C2000E Laser Labor Contract - Per Year	44A729349-207	\$3,400
C2000E Second Year Parts Contract	44A729349-007	\$2,450
C4000E Laser Labor Contract - Per Year	44A729349-208	\$4,450
C4000E Second Year Parts Contract	44A729349-008	\$2,700

## Labor Only Contracts for South America

Labor Only Contracts only apply to new units, under warranty, where the parts are covered by the 2 year new system warranty. Contracts are for up to 6 axes and/or spindles. For machines with more than 6 axes and/or spindles, add \$100 per year per axis or spindle.

### All CNCs

<u>Country</u>	<u>Cat. Number</u>	<u>Price</u>
Brazil - São Paulo State	44A729334-003	\$3,300
Brazil - Other States	44A729334-003	\$3,600
Other Countries except Argentina, Colombia, Uruguay, Chile	44A729334-003	\$3,600
Argentina, Uruguay, Chile	44A729334-003	\$3,600

#### Notes:

- > Replacement parts are stocked in Brazil for most CNC's covered by service contracts
- > Due to local restrictions and importing delays, GE Fanuc recommends the purchase of spare parts in all South American Countries.
- > For CNC's with more than 6 axes, please contact GE Fanuc
- > For machines with more than 6 axes/spindles: \$100 adder per year, per axis/spindle
- > Local Terms and Conditions apply.
- > For countries except Brazil, T&L charged at cost + 10%
- > Service in Argentina, Uruguay, Chile provided by Numericon

# FANUC CNC Parts



## International Service Contracts and Directory

Machine Tool Builders exporting GE Fanuc branded controls can, in many cases, obtain local service through GE Fanuc affiliates located throughout the world. Most GE Fanuc affiliates can provide multiple services, including replacement parts, service contracts, spot service, installation assistance and training. Local terms and conditions may apply.

The following pages provide a directory of GE Fanuc service offices or GE Fanuc service representatives.

Countries not listed in the directory are designated as "self maintenance" countries. Spare parts kits should accompany all controls exported to these "self maintenance" countries and Machine Tool Builders should make arrangements to train local distributors and users as necessary. U.S.A. exporters can arrange for training at one of the GE Fanuc Training Centers.

GE Fanuc is bound by the export control regulations not only of the United States, but also, in some circumstances, by those of other countries. As such, GE Fanuc may, from time to time, be limited or unable to provide service or training in certain situations. Additionally, verification of the machine tool's export/re-export authorization may be required prior to providing certain services, and application for specific training and service related licenses may also be needed on a case by case basis.

### NOTICE TO MACHINE TOOL BUILDERS

U.S. Machine Tool Builders are encouraged to purchase service labor contracts for all exported CNC controls to assure local availability of parts stock and service labor. Full local service may not be available in all listed countries for exported controls not covered by service labor contracts.

Warranty on GE Fanuc Standard CNC Systems is as stated in the Computer Numerical Control Statement of Warranty and Service Policy included in this booklet.

### NOTICE TO EXPORTERS OF GE FANUC CNCS

Before exporting your equipment, mail a completed "User Installation Notice", (form provided in the Appendix) to GE Fanuc. This will help us plan our parts inventory and service capability in the destination country.

## Europe and Middle East

Country	Address	Contact Information	Labor Contract During Warranty Period (Price in Yen)	
			Series 0, 16, 18, 20, 21	Series 15
GERMANY AUSTRIA NETHERLANDS ROMANIA BULGARIA	GE Fanuc Automation Deutschland GmbH Stuttgart Office Berhäuser Straße 22 D-73765 NEUHAUSEN a.d.F. GERMANY	Phone : + (49) 7158 187 452 Fax : + (49) 7158 187 477 Name : Mr. F. Müller	200,000  For Romania and Bulgaria, Travel Expenses are extra	250,000  For Romania and Bulgaria, Travel Expenses are extra
CZECH REPUBLIC HUNGARY POLAND SLOVAKIA	GE Fanuc Automation ER, s.r.o. U Studánky 3 CZ-170 00 PRAHA 7 CZECH REPUBLIC	Phone : + (420) 2 333 72 501 Fax : + (420) 2 333 70 821 Name : Mr. J. Loos	200,000  For Poland Travel Expenses are extra	250,000  For Poland Travel Expenses are extra
SWEDEN DENMARK NORWAY FINLAND	GE Fanuc Automation Nordic AB Hammarbacken 4 S-19149 SOLLENTUNA SWEDEN	Phone : + (46) 8 444 5520 Fax : + (46) 8 444 5521 Name : Mr. B. Runér	200,000	250,000
UNITED KINGDOM & IRELAND	GE Fanuc Automation (UK) Ltd. Unit 1, Mill Square Featherstone Road Wolverton Mill South MILTON KEYNES MK12 5BZ GREAT BRITAIN	Phone : + (44) 1908 84 4030 Fax : + (44) 1908 84 4001 Name : Mr. R.L. Norton	200,000	250,000
FRANCE BELGIUM LUXEMBOURG	GE Fanuc Automation France S.A. 39, rue du Saule Trapu F-91882 MASSY Cedex FRANCE	Phone : + (33) 1 69 75 86 40 Fax : + (33) 1 69 75 86 49 Name : Mr. T. Noblet	200,000	250,000
SPAIN & PORTUGAL	GE Fanuc Automation España S.A. Polígono Industrial Olaso Olaso, 27-Locales 10 & 11 E-20870 ELGOIBAR (Guipúzcoa) SPAIN	Phone : + (34) 9 43 744 450 Fax : + (34) 9 43 744 421 Name : Mr. N. Aguirre	200,000	250,000
ITALY GREECE CROATIA SLOVENIA	GE Fanuc Automation Italia S.r.l. Largo Brugnattelli, 15 - Via Volta, 4 I-20090 BUCCINASCIO (MI) ITALY	Phone : + (39) 02 457 95 457 Fax : + (39) 02 457 95 450 Name : Mr. M. Mazzucchelli	Italy - 200,000 Greece - 250,000  Service Contracts not available for Croatia and Slovenia	Italy - 250,000 Greece - 300,000  Service Contracts not available for Croatia and Slovenia
SWITZERLAND LIECHTENSTEIN	GE Fanuc Automation Europe S.A. Echternach Luxembourg Zweigniederlassung Brügg - Swiss Branch Erlenstraße 35a CH-2555 BRÜGG bei BIEL SWITZERLAND	Phone : + (41) 32 366 63 63 Fax : + (41) 32 366 63 64 Name : Mr. D. Evard	200,000	250,000
TURKEY	FANUC Turkey Ltd. Kusbakisi Sok No. 21/1 K-1-2 Altunizade, Istanbul, 81190 TURKEY	Phone : + (90) 216 391 3548 Fax : + (90) 216 391 8133 Name : Mr. E. Mutlu	70,000	70,000
ISRAEL	N.R. Automation Ltd. PO Box 2236 9, Shevhav St. Neve-Monsoon, ISRAEL, 60190	Phone : + (972) 3 634 2115 Fax : + (972) 3 634 2116 Name : Mr. N. Ronen	300,000	350,000

### Power Mate Service Contract Prices:

#### Europe:

Power Mate = 50% of Series 15  
2 to 5 Power Mates = Series 0  
6 to 10 Power Mates = Series 1535,000

#### Other Countries (except the Americas)

1 Power Mate with CNC = JPY 17,500  
2 ~ 10 Power Mates with CNC = JPY 35,000

1 Power Mate without CNC = JPY 35,000  
2 ~ 10 Power Mates w/o CNC = JPY 70,000

Quantity Discounts for Power Mates apply to Power Mates mounted on a single Machine.

# FANUC CNC Parts



## ASIA, AUSTRALASIA, SOUTH AFRICA

Country	Address	Contact Information	Labor Contract During Warranty Period (Yen)
			Series 0, 16, 18, 20, 21, 15
AUSTRALIA NEW ZEALAND	FANUC Oceania (PTY) Ltd. 10 Healey Circuit, Huntingwood N.S.W. 2148, AUSTRALIA	Phone: + (61) 2 8822 4600 Fax: + (61) 2 8822 4666 Name: Mr. G. Ghabach	70,000
CHINA	BEIJING FANUC Mechatronics Co. Ltd. Xinxi Zhong Road No. 7, Shangdi Information Industry Base, Haidian District, Beijing, 100085, CHINA	Phone: + (86) 10 6298 4743 Fax: + (86) 10 6298 4745 Name: Ms. Wang Li-Wen	70,000
HONG KONG	FANUC Hong Kong Ltd. Unit 1314A, 13/F Lippo Sun Plaza 28, Canton Road, Tsimshatsui Kowloon, HONG KONG	Phone: + (852) 2 375 0026 Fax: + (852) 2 375 0015 Name: Mr. H. Ishikawa	70,000
INDIA	FANUC India Ltd. No 41, Electronic City KEONICS Bangalore 561229, INDIA	Phone: + (91) 80 852 0057 Fax: + (91) 80 852 0051 Name: Mr. B.N. Nandakumar	70,000
INDONESIA	PT. FANUC GE Automation Indonesia Ltd. Jl. Jend. Gatot Subroto, Kiararacondong Bandung, 40284A, INDONESIA	Phone: + (62) 22 7312 675 Fax: + (62) 22 7310 966 Name: Mr. H. Hachiya	70,000
JAPAN	FANUC Ltd. Oshino-Mura, Minamitsuru-Gun Yamanashi Prefecture, 401-05 JAPAN	Phone: + (81) 555 84 5074 Fax: + (81) 555 84 6992 Name: Mr. T. Hatamaka	50,000
KOREA	FANUC Korea Corporation Chang Won Industrial Complex 42 Ungnam-Dong, Chang Won Kyoung Nam, 6410290, KOREA	Phone: + (82) 55 282 0122 Fax: + (82) 55 261 6958 Name: Mr. Kang Myung Goo	70,000
MALAYSIA	FANUC Mechatronics Malaysia SDN BHD No. 32 Jalan Pengacara U1/48 Temasya Industrial Park, Section U1, Glenmarie 40150 Shah Alam Selangor Darul Ehsan, MALAYSIA	Phone: + (60) 3 7628 0110 Fax: + (60) 3 7628 0220 Name: Mr. T. Takahashi	70,000
PHILIPPINES	FANUC Philippines Corporation 5th Floor, Forune Office Building 160 Legaspi Street, Legaspi Village, Makati, Metro Manila, PHILIPPINES	Phone: + (63) 2 891 3315 Fax: + (63) 2 891 3313 Name: Mr. M. Matsumoto	70,000
TAIWAN	FANUC Taiwan Ltd. No. 4, 17th Road Taichung Industrial Park Taichung, TAIWAN / R.O.C.	Phone: + (886) 4 2359 1842 Fax: + (886) 4 2359 0676 Name: Mr. Tsai Chungcheih	70,000
THAILAND	FANUC Thai Ltd. No. 59/3 Sukhumvit 39 Khwaeng Klongton Nua Khet Wattana Bangkok 10110, THAILAND	Phone: + (66) 2 662 6111 Fax: + (66) 2 662 6120 Name: Mr. M. Osada	70,000
SINGAPORE VIETNAM	FANUC Singapore (PTE) Ltd. 1 Teban Gardens Crescent Singapore 608919, SINGAPORE	Phone: + (65) 220 3911 Fax: + (65) 225 0098 Name: Mr. H. Iijima	70,000 Vietnam – 150,000
SOUTH AFRICA ZIMBABWE SWAZILAND LESOTHO BOTSWANA	FANUC South Africa (PTY) Ltd. 17 Loper Ave, Aeroport Industrial Estates Spartan Ext 2, 1619 Isando 1600, SOUTH AFRICA	Phone: + (27) 11 392 3610 Fax: + (27) 11 392 3615 Name: Mr. K. Petkov	South Africa - 70,000 Other listed Countries – 150,000

### Power Mate Service Contract Prices:

#### Europe:

Power Mate = 50% of Series 15  
2 to 5 Power Mates = Series 0  
6 to 10 Power Mates = Series 1535,000

#### Other Countries (except the Americas)

1 Power Mate with CNC = JPY 17,500  
2 - 10 Power Mates with CNC = JPY 35,000

1 Power Mate without CNC = JPY 35,000  
2 - 10 Power Mates w/o CNC = JPY 70,000

Quantity Discounts for Power Mates apply to Power Mates mounted on a single Machine.





## Americas

Countries	Address		Contact Information	Labor Contract During Warranty Period (Price in US\$)
NORTH AND CENTRAL AMERICA	GE Fanuc Automation North America, Inc. Route 29 North / Route 606 Charlottesville, VA 22911 USA	Phone: Fax: Name: Email: Website:	1-434-978-6036 1-434-978-5207 Mark Brownhill Mark.Brownhill@gefanuc.com www.gefanuc.com	Please refer to Service Contract Section of this Publication
SOUTH AMERICA	GE Fanuc Automation Brazil Rodovia SP101 - Trecho Campinas - Monte Mor Km 3.8, Boa Vista CEP 013001-970 Campinas - SP Brazil	Phone: Fax: Name: Email: Website:	(5519) 3781-8920 (5519) 3781-8753 Pedro Penachioni pedro.penachioni@gefanuc.com www.gefanuc.com/latinam	Please refer to Service Contract Section of this Publication

## CNC Technical Assistance Hotline

The CNC Hotline is available to answer technical questions about our CNC products. Access to the CNC Hotline is possible via email, fax or by calling our toll-free number and make the proper phone menu selection. Questions are answered in order of receipt and every attempt is made to answer email messages within one day.

Phone: 1-800-GEFANUC1-800-433-2682

Email: [cnchotline@gefanuc.com](mailto:cnchotline@gefanuc.com)

Web: [www.gefanuc.com](http://www.gefanuc.com)

Fax: 1-434-978-5300

Hours of Operation 8:00 AM to 6:00 PM Eastern Time, Monday through Friday

### Subscription Packages

	Basic	Gold	Platinum
Call back support 8am - 6pm	Yes	n.a.	n.a.
Same call access to engineer 8am - 6pm	no	Yes	Yes
24 Hour machine down callback support	no	Yes	Yes
Discounts (spot service, training)	no	Yes	Yes
One set Infolink Plus	no	no	Yes
Bypass Operator with PIN - 8am - 6pm	no	no	Yes

<b>Description</b>	<b>Cat. Number</b>	<b>Price</b>
12 Month Gold Technical Support Contract	44A747771-031	\$1,050
24 Month Gold Technical Support Contract	44A747771-051	\$1,850
12 Month Platinum Technical Support Contract	44A747771-032	\$5,250
24 Month Platinum Technical Support Contract	44A747771-052	\$9,450

When contacting the CNC Hotline, Customers are requested to have the following information available:

- > CNC control type, ex. 15-TB
- > CNC serial number, ex. 3200001234
- > Date of manufacture, ex. 2/20/98
- > Name of Machine Builder (or Retrofitter)
- > Detailed description of the problem

The CNC control type can be found on the GE Fanuc data sheets or on the CNC control itself. The label will state control type, S/N and date of manufacture. The CNC control type will always have a series (ex. 16), software type (ex. T - Tuning), and hardware revision (ex. B - second generation).

Customers are encouraged to contact GE Fanuc Field Service for on-site support and for other service and training needs.

# FANUC CNC Parts



# Renewal Parts

Genuine GE Fanuc Parts .....	2-7
Part pricing and Terms .....	2-8
Parts Purchase Policies .....	2-8
Parts Availability Programs .....	2-8
Exchange Plan .....	2-9
Factory Outlet .....	2-9
Factory Repair .....	2-10
Repair Policies .....	2-10
Motor Repairs .....	2-11
Factory Repair Pricing .....	2-11
Fanuc Part Number Guide .....	2-12
General Part Number Key .....	2-12
A02B Part Numbers .....	2-13
A06B Part Numbers .....	2-14
A16B and A20B Part Numbers .....	2-15
Cable Part Numbers .....	2-16
Series 0 Model C/D Part Numbers .....	2-17
Hardware Structure .....	2-17
Printed Circuit Boards .....	2-18
Fuses .....	2-22

Series 15 Model B Part Numbers	2-23
Hardware Structure	2-23
System Structure	2-25
Control Rack	2-28
Power Supplies	2-29
Control Printed Circuit boards	2-29
Back Panel Printed Circuit boards	2-30
Modules (main CPU)	2-31
Modules (PMC / conversational board)	2-32
Modules (sub CPUs)	2-33
Modules (RISC board)	2-33
Modules (option 1 board)	2-34
Modules (sub CPUs)	2-34
Displays	2-35
External Control Unit	2-38
Batteries	2-39
Fans	2-39
Fuses	2-40
Series 15i Model A Part Numbers	2-42
Hardware Structure	2-42
System Structure	2-43
Basic Unit	2-44
Power Supply	2-44
LCD Unit	2-44
Standalone MDI Unit	2-45
Intelligent Terminal	2-46
Panel i	2-47
Other Options for Intelligent Terminal and Panel i	2-48
Standalone MDI Unit	2-49
Data Server Hard Disk	2-49
Control Printed Circuit Boards	2-50
Maintenance Parts	2-56
Batteries	2-57
Fuses	2-58
Fans	2-59
Backlight	2-60

# FANUC CNC Parts



Series 15i Model B Part Numbers . . . . .	2-61
Hardware Structure . . . . .	2-61
System Structure . . . . .	2-62
Basic Unit . . . . .	2-64
Power Supply . . . . .	2-64
LCD Units . . . . .	2-64
Standalone MDI Units . . . . .	2-65
Display Units with PC Functions . . . . .	2-66
Other Display Options . . . . .	2-67
Standalone MDI Units . . . . .	2-68
Control Unit Printed Circuit Boards . . . . .	2-69
Other Printed Circuit Boards . . . . .	2-73
Maintenance Parts . . . . .	2-74
Machine Operator Panel . . . . .	2-75
Batteries . . . . .	2-76
Fuses . . . . .	2-77
Fans . . . . .	2-78
Backlight . . . . .	2-79
 Series 16/18 Model B Part Numbers . . . . .	 2-80
Hardware Structure . . . . .	2-80
System Structure . . . . .	2-81
Power Supplies . . . . .	2-82
Control Rack . . . . .	2-82
Control Printed Circuit Boards . . . . .	2-83
Modules . . . . .	2-85
CRT / MDI Unit - Without MMC . . . . .	2-87
CRT / MDI Unit - With MMC . . . . .	2-90
Batteries . . . . .	2-92
Fuses . . . . .	2-93
Fans . . . . .	2-94
 Series 16/18 Model C . . . . .	 2-95
Hardware Structure . . . . .	2-95
Series 16 System Structure . . . . .	2-96
Series 18 System Structure . . . . .	2-97
Power Supply . . . . .	2-98
Control Rack . . . . .	2-98
Printed Circuit Boards . . . . .	2-99
CRT / MDI Units - Without MMC . . . . .	2-103
CRT / MDI Units - With MMC . . . . .	2-108
Batteries . . . . .	2-111
Fans . . . . .	2-111
Fuses . . . . .	2-112

Series 16i/18i/21i LCD Model A Part Numbers	2-113
Hardware Structure	2-113
System Structure 16i/160i/160iS	2-114
System Structure 18i/180i/180iS	2-115
System Structure 21i/210i/210iS	2-116
Basic Units	2-117
MDI Units	2-127
Control Unit Printed Circuit Boards	2-129
Other Printed Circuit Boards	2-135
Batteries	2-136
Fuses	2-137
Fans	2-138
Backlights	2-139
 Series 16i/18i/21i Standalone Model A Part Numbers	 2-140
Hardware Structure	2-140
System Structure 16i/160i	2-141
System Structure 18i/180i	2-142
System Structure 21i/210i	2-143
Basic Units	2-144
Control Unit Printed Circuit Boards	2-144
LCD/MDI Units	2-148
Other Units	2-149
Batteries	2-150
Fuses	2-151
Fans	2-152
LCD Unit Fuse	2-153
LCD Backlight	2-153
 Series 16i/18i/21i LCD Model B Part Numbers	 2-154
Hardware Structure	2-154
System Structure 16i/160i/160iS	2-155
System Structure 18i/180i/180iS	2-156
System Structure 21i/210i/210iS	2-157
Basic Units	2-158
Display Units	2-158
MDI Units	2-159
Printed Circuit Boards	2-160
I/O	2-164
Other Units	2-165
Batteries	2-166
Fuses	2-167
Fans	2-168
Backlights	2-169
Printed Circuit Boards Series 160iS/180iS/210iS	2-170

# FANUC CNC Parts



Series 16i/18i/21i Standalone Model B Part Numbers	2-171
Hardware Structure	2-171
System Structure 16i/160i/160iS	2-172
System Structure 18i/180i/180iS	2-173
System Structure 21i/210i/210iS	2-174
Basic Units	2-175
Printed Circuit Boards	2-175
LCD/MDI Units	2-180
Other Units	2-181
Panel i Units	2-182
iS Display Units	2-185
Batteries	2-186
Fans	2-187
Fuses	2-188
Backlights	2-189
 Series 21 Model B	2-190
System Structure 21	2-190
System Structure 210	2-191
Printed Circuit Boards	2-192
Batteries	2-196
Fuses	2-197
Fans	2-197



# FANUC CNC Parts



## Genuine GE Fanuc Parts

By ordering your replacement parts from GE Fanuc you can be sure of a genuine factory built and factory tested part to maintain the reliability and value of your machine tool. Call, email or fax for price and availability:

Phone: 1-800 GE FANUC (or 1-434-978-6036)

Email: [service.center@gefanuc.com](mailto:service.center@gefanuc.com)

Fax: 1-434-978-5673

Parts are stocked in several warehouses and shipped next day when available in our inventory. GE Fanuc also can expedite parts from our associates in America, Europe and Japan to meet your delivery requirements.

To facilitate the ordering of replacements the part number is usually printed on each part. See the Fanuc Part Number Guide in this section for typical part numbers.

Appendix D in this catalog provides a listing of most GE Fanuc replacement parts including the list price.

GE Fanuc provides several cost effective alternative to purchasing new renewal parts.

- > Refurbished Parts provide a 25 % savings with a full 12 months warranty
- > Exchange Plan allows you to receive a credit for your old part.
- > Factory Outlet provides our overstocked parts at significant discount
- > Factory Repair evaluates if your old part can be repaired for 35% of new price for many parts

## Part pricing and Terms

List prices for most parts are listed in Appendix D. Terms and Conditions of Sale are provided in Appendix A.

## Parts Purchase Policies

- > No minimum billing required
- > Terms of payment are cash in full within 30 days of shipment date.
- > Prices are subject to change without notice. Orders received prior to the date of a price change and released for immediate shipment will be charged at the price in effect at the date of the order.
- > Delivery is made FOB, point of shipment, no transportation allowed.
- > Return policy - Material returns are generally not accepted. However, GE Fanuc will consider return requests within 90 days of purchase provided that the material is needed for other customers and current inventory levels allow it. Requests must be submitted for review and approval to the GE Fanuc CNC Customer Care Center. Material cleared for return will be assessed a 25% restocking charge. All approved for return material must be properly identified and packaged as described in the introduction section of this catalog. GE Fanuc reserves the right to reject and return unapproved returns or those returns, which are not properly packaged.
- > Requests for accommodation returns must be reviewed with a GE Fanuc Customer Advocate, who will pre-approve and issue a Return Material Authorization (RMA). This form must be included with the returned material.
- > The warranty period for all new parts or refurbished parts is 12 months from the date of shipment. To submit a warranty claim, the Customer must provide the Purchase Order number that was used to buy the part from GE Fanuc North America.
- > Customers purchasing parts for shipment to Canada are requested to notify GE Fanuc that the final installation is in Canada; this will allow GE Fanuc to implement a process to properly label and prepare Canada-bound parts for CSA inspection, according to the "Technical Requirements for Inspection and Testing Electrical/Electronic and Health Care Equipment by CSA, On Behalf Of Participating Provincial and Territorial Authorities, Part A, January 1987". Unless informed at the time of the order that the part is for a Canadian installation, GE Fanuc cannot take the required steps to insure compliance with local regulations. Orders placed through GE Fanuc's office in Mississauga, ON, Canada will be assumed to be for Canadian sites and our staff will follow the required compliance procedures.

## Parts Availability Programs

In order to minimize equipment downtime GE Fanuc offers special parts availability programs which assure delivery within a few hours or provide for on-site parts stocking. Please contact GE Fanuc for details about these programs:

- > Parts Availability Contracts - guarantee availability and delivery within four hours or less
- > Spare Parts Assessments - help customers determine on-site spare parts stocking requirements for critical operations

## Exchange Plan

An exchange plan is offered for out-of-warranty CNC parts. The plan provides an exchange credit for specific parts. To qualify for exchange credit, a part must meet the following exchange plan criteria:

- > A GE Fanuc Customer Advocate must approve the exchange credit - after review of current demand and inventory for the item.
- > Only items priced at list over \$500 are eligible for exchange credit.
- > Visibly or electrically damaged parts and parts modified by third parties are not eligible for credit.
- > Obsolete or discontinued products are not eligible for credit.
- > Other parts not eligible for credit - Linear Motors, DC Motors, Transformers, Consumable Items (such as fuses, batteries, LASER system polarization unit optics, oil, vane pumps etc.), Cables, Transistor Modules, Encoders/Pulse Coders, Fans, Sheet Metal Parts, Plastic Parts and Components used to repair Drives, Power Supplies, CRT's, PCB's and Motors.
- > In general, only parts for CNC systems currently in production are accepted for exchange credit. GE Fanuc checks the product part number and date code to confirm eligibility.
- > Transportation costs for returned parts must be pre-paid.

Exchange credit is issued after the part is received and inspected for compliance. The amount of credit is calculated on the NET PRICE for a new part as follows:

- > AC Motors - 15%
- > Printed Circuit Boards, Amplifiers, Power Supplies, CRT's/LCD's and other Electronic Assemblies - 25%

## Factory Outlet

Log into our CNC Factory Outlet ([www.gefanuc.com/factory\\_outlet](http://www.gefanuc.com/factory_outlet)) to look for excellent values on our excess inventory.

With our Factory Outlet you get:

- > Savings- up to 50% of the original price!
- > Convenience- select from three purchasing alternatives and two payment options.
- > Fast Service- products are available in stock and ready to ship.
- > Great Selection- product lists are updated weekly.
- > Easy- just follow the simple Three Step Process purchase the part you want.
- > Then call GE Fanuc to confirm availability. Please have the Purchase Order Number, Part Number, Quantity and Shipping information available to help expedite the transaction.

## Factory Repair

GE Fanuc operates a factory repair service, which provides a lower cost alternative to new part purchases. To inquire about repairs, please proceed as follows when calling GE Fanuc:

- > Provide the Part Number to be repaired (usually printed on the part).
- > Have the symptom or problem when calling; this will help determine if the part is repairable and help our technicians focus on the solution, once the part is received.
- > We will then determine if the part is repairable and provide an estimate for the repair price and a "Return Material Authorization" (RMA).
- > Ship the part to the address printed on the RMA. Include the RMA in the package so that, upon receipt, the part owner and symptoms can be quickly identified and the material forwarded to the appropriate repair station without delay.

### *Repair Policies*

- > A "Repair Report" stating the part condition as received, the tests performed after repair and the components replaced, is included with each part repaired.
- > For most components the repair price is 35% of the NET PRICE of the same part, if purchased new.
- > Motors are quoted on a case-by-case basis after a repair estimate is completed; the nominal charge to provide a motor repair estimate is \$150 and is waived if you approve the motor repair.
- > Repairs are warranted for 12 months from the date of shipment. Motors received for repair with liquid contamination are repaired on a "best effort" basis and the repair is warranted for 30 days from the return date from GE Fanuc. To submit a warranty request, the Customer must provide the Purchase Order Number under which the motor repair was ordered.
- > Some parts are not repairable by GE Fanuc - among them are Pulse Coders, Tacho-generators, Resolvers and consumable parts.
- > Physically damaged or third party modified printed circuit boards may not be repairable. Only "best-possible" effort will be attempted and the repair may not be covered by our warranty.
- > Customer is requested to pay transportation costs.

## Motor Repairs

To minimize costs, motor repairs are priced on a case-by-case basis. The nominal cost to evaluate and quote each motor repair is only invoiced if the you decide not to go ahead and repair the motor after the quotation is submitted. The procedure to request a motor repair is as follows:

1. Before calling GE Fanuc, please be prepared to provide:
  - > Purchase Order for the motor evaluation
  - > Motor part number (can be found on motor nameplate)
  - > Company, contact and shipping information
  - > Motor problem or symptom to guide our technicians.
2. A Returned Material Authorization (RMA) will faxed to you that contains shipping instructions. The RMA must be returned with the motor to help identify the order once the material arrives in our dock.
3. Upon receipt, GE Fanuc will disassemble the motor for evaluation and will provide a verbal estimate and quotation for the repair. A written quotation is available on request.
4. If you confirm that the motor is to be repaired, then you must issues a purchase order to complete the repair.
5. Please note that, once disassembled, a motor can only be scrapped, repaired or returned to the requester in the disassembled state. The \$150 evaluation fee can only be waived if you decide to repair the motor.

## Factory Repair Pricing

<b>Description</b>	<b>Cat. Number</b>	<b>Net Price</b>
Emergency Handling Service (5 day from receipt to shipment)	44A728216-005	\$250
Test Only Fees		
PCB's and Modules	44A728335-001	\$150
Alpha, S and C Servo Drives, Alpha Spindle Drives	44A728335-101	\$250
S Series and Older Spindle Drives	44A728335-201	\$325
Test, Clean and Revise (excludes motors)	44A728335-011	\$250
Electronic/Electrical Part Repair	Reference Appendix for Part Number New Part List X 0.35	
Motor Evaluation / Repair Quotes	44A728335-001	\$150
Motor Repair Request	On a quote basis Please Call / Fax	

# Fanuc Part Number Guide

## General Part Number Key

GE Fanuc and FANUC part numbers are intelligent, generally coded to indicate the part type and purpose. The four or five characters before the first dash ("-") determine the basic classification of the part. The remaining characters determine the specific part. The general form of the part number is :



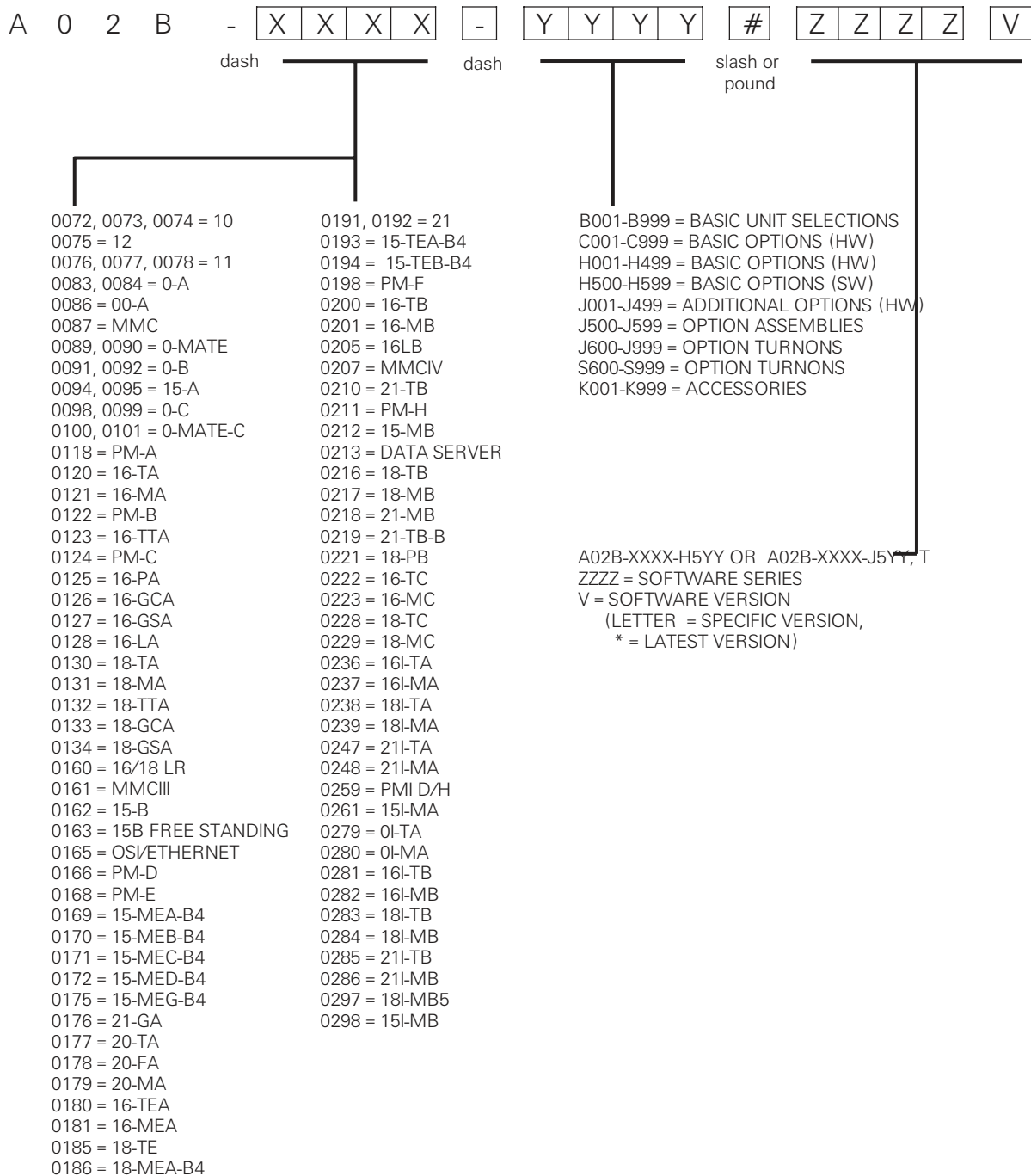
- 00-15 = EQUIPMENT
  - 02 = CNC (SEE PAGE 2)
  - 03= I/O RACK
  - 04=LASER
  - 05=LOADER ROBOT
  - 06=MOTOR/DRIVES (SEE PAGE 3)
  - 08=PG, SW, ACCESSORIES
  - 13=ASSEMBLIES, TAPE READER, CASSETTES, PANELS, CRT
  - 14=INPUT UNITS
  - 16-20=PCBS (SEE PAGE 4)
  - 21-39=MECHANICAL
  - 40-99=PART
    - 40=RESISTOR
    - 42=CAPACITOR
    - 44=REACTOR, ETC.
    - 49=LAMP
    - 50=TRANSISTOR, DIODE, LED
    - 55=LIMIT SWITCH
    - 56=SWITCH
    - 57=TIMER, ETC.
    - 58=CONTACTOR, RELAY
    - 60=FUSE
    - 61=CRT UNIT, DISPLAY
    - 63=CONNECTOR
    - 66=CABLE
    - 76=IC (INC. HYBRD)
    - 80=TRANSFORMER
    - 81=TRANSFORMER, REACTOR
    - 86=KEYBOARD PCBS
    - 87=MEMORY DEVICE
    - 90=FAN MOTOR, ETC.
    - 91=VOLTAGE METER
    - 98=KEYSHEET, BATTERY
- B=BILL OF MATERIAL
- C=SCHEMATIC DRAWING
- L=PURCHASED PART
- M=ASSEMBLY INSTRUCTION
- Q=EDITION TABLE
- T=ROM TAPE OR DISK
- \*=CONFIDENTIAL DRAWING

FIRST CHARACTER IS TYPICALLY THE LETTER "A"  
(SOME VERY OLD FANUC PART NUMBERS CAN BE "F")

P=PREFIX CHARACTER ADDED BY GE FANUC FOR DESCRETE PARTS  
D=DOMESTIC BUILT IN THE U.S.

## A02B Part Numbers

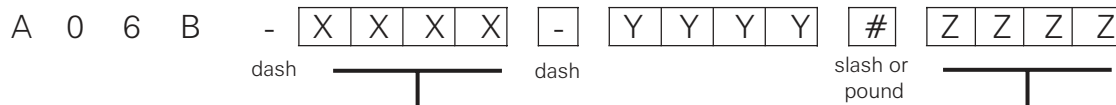
Part numbers that start with the characters "A02B" are bills of material for CNC assemblies. Most hardware assemblies must be translated to lower level part numbers to purchase the replacement part. See the part number lists for each control type later in this section, or call CNC Technical Support to identify the correct Renewal Part Number.





## A06B Part Numbers

Part numbers that start with the characters "A06B" are servo and spindle, drives and motors. Most drives and motor are stocked as complete assemblies.



01XX = ALPHA SERVO MOTORS  
 02XX = ALPHA SERVO MOTORS  
 03XX, 05XX = AC SERVO MOTORS  
 06XX = DC SERVO MOTORS  
 07XX, 09XX, 10XX, 11XX = SPINDLE MOTORS  
 08XX = ALPHA SPINDLE MOTORS  
 14XX = ALPHA SPINDLE MOTORS  
 6044 = AC ANALOG SPINDLE/ANALOG INPUT  
 6047 = DC ANALOG SERVO/ANALOG INPUT  
 6050 = AC 185V ANALOG SERVO/ANALOG INPUT  
 6053 = AC SERVO (1-3)  
 6054 = AC SPINDLE HV  
 6055 = AC DIGITAL SPINDLE/ANALOG INPUT  
 6057 = AC 185V DIGITAL SERVO/DIGITAL INPUT  
 6058 = AC 230V DIGITAL SERVO/DIGITAL INPUT  
 6059 = AC DIG SPINDLE/ANALOG INPUT(S-SERIES)  
 6060 = AC SPINDLE (I)  
 6061 = AC SPINDLE  
 6062 = AC DIGITAL SP/SERIAL(16 BIT)  
 6063,0064 = AC DIGITAL SP/SERIAL (32 BIT)  
 6065 = AC SPINDLE SERIAL HV  
 6066 = AC 230V DIG SERVO/DIG INPUT(C-SERIES)  
 6069 = AC 120S SV SPECIAL  
 6070 = SERVO 'E'SERIES  
 6071 = 'D'SERIES SERVO COMM CONVERTER  
 6072 = 'D'SERIES SPINDLE INVERTER  
 6073 = 'D'SERIES SERVO INVERTER  
 6077 = ALPHA PSM (OLD TYPE)  
 6078 = ALPHA SPM (OLD TYPE)  
 6079 = ALPHA SVM  
 6080 = ALPHA SVM (3 AX SERIES 20/21G)  
 6081 = ALPHA PSMR (REGEN RES)  
 6082 = ALPHA SPMC  
 6083 = ALPHA PSM (HV)  
 6084 = ALPHA SPM (HV)  
 6085 = ALPHA SVM (HV)  
 6087 = ALPHA PSM  
 6088 = ALPHA SPM  
 6089 = ALPHA SERVO SVU  
 6090 = ALPHA SERVO SSU  
 6091 = ALPHA PSM(HV)  
 6092 = ALPHA SPM(HV)  
 6093 = BETA SERVO SVU  
 6096 = ALPHA MODULAR SV  
 6097 = ALPHA SERVO SVM  
 6098 = ALPHA PSM(HV)  
 6102 = ALPHA SPM  
 6104 = ALPHA SPM(HV)  
 611X = ALPHA I DRIVES

Suffixes for S,SP,F & L Series Servo Motors  
 7\*\*\* = GE Fanuc Nameplate  
 7008 = GE Fanuc + Keyway  
 7012 = V GROVE (Cinn. Millicron Only)  
 7064 = GE Fanuc + Double Bearing In  
 Front For Improved Vibration  
 7065 = GE Fanuc + IP65 Seal  
 7073 = GE Fanuc + V Grove + Keyway  
 7075 = GE Fanuc + IP67  
 7076 = GE Fanuc + Keyway + IP67  
 72\*\* = GE Fanuc + High Precision Bearings  
 74\*\* = GE Fanuc + Low Vibration  
 75\*\* = GE Fanuc + 3 Pin Brake Conn.  
 C\*\*\* = GE Fanuc + CSA  
 Tapered Shaft always has keyway

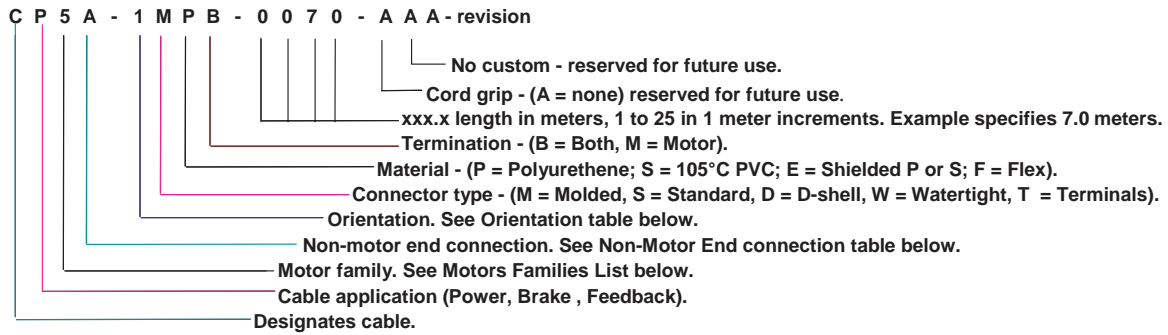
Suffixes for ALPHA Series Servo Motors  
 7\*\*\* = GE Fanuc Nameplate  
 7008 = GE Fanuc + Keyway  
 7064 = GE Fanuc + Double Bearing In  
 Front For Improved Vibration  
 7075 = GE Fanuc + IP67  
 7076 = GE Fanuc + Keyway + IP67  
 C\*\*\* = GE Fanuc + CSA  
 U\*\*\* = CE Mark (f/Europe)

Suffixes for ALPHA, S & P Spindle Motors  
 30\*\* = GE Fanuc Nameplate, 4500 rpm  
 3100 = GE Fanuc Nameplate, 6000 rpm  
 \*2\*\* = 12S-22S-8000rpm,  
 = 30S,40S-6000rpm  
 \*B\*\* = 40P-CPR=1:12,500/6000rpm  
 C\*\*\* = GE Fanuc + CSA  
 U\*\*\* = CE Mark (f/Europe)



## Cable Part Numbers

Replacement motor and drive cables are orderable using part numbering scheme described below. These cables are watertight at the motor, where applicable use CE Mark compliant (extended ground pin) connectors, and have either an 80°C polyurethane jacket or for high power applications 105°C (to keep down wire size) oil resistant PVC jacket. Environmental cables are available for all servo and spindle applications in 1 meter lengths up to 25 meters (longer lengths may be available-check upon request).



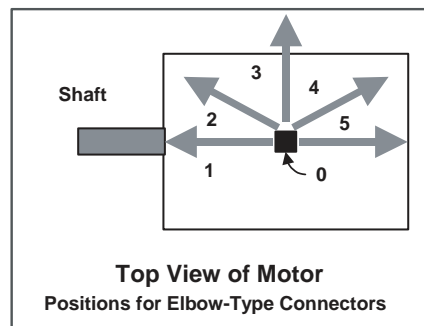
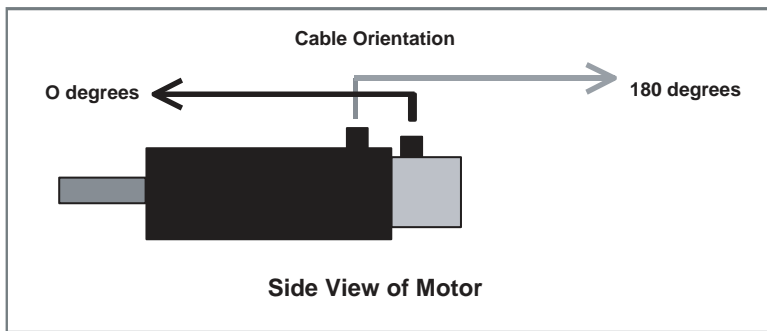
Non-Motor End for Power Cables
<b>A</b> = Alpha Amplifier
<b>B</b> = Beta and Beta i Amplifiers
<b>I</b> = Alpha i Amplifier
<b>S</b> = Spindle
<b>N</b> = None, wire stripped and tinned

Non-Motor End for Feedback Cables
<b>A</b> = Amplifier, either Alpha or Beta
<b>Z</b> = FS0 or FS 15A CNC (type A interface)
<b>N</b> = None, wire stripped and tinned

Non-Motor End for Brakes
<b>N</b> = None, wire stripped and tinned

### Orientation

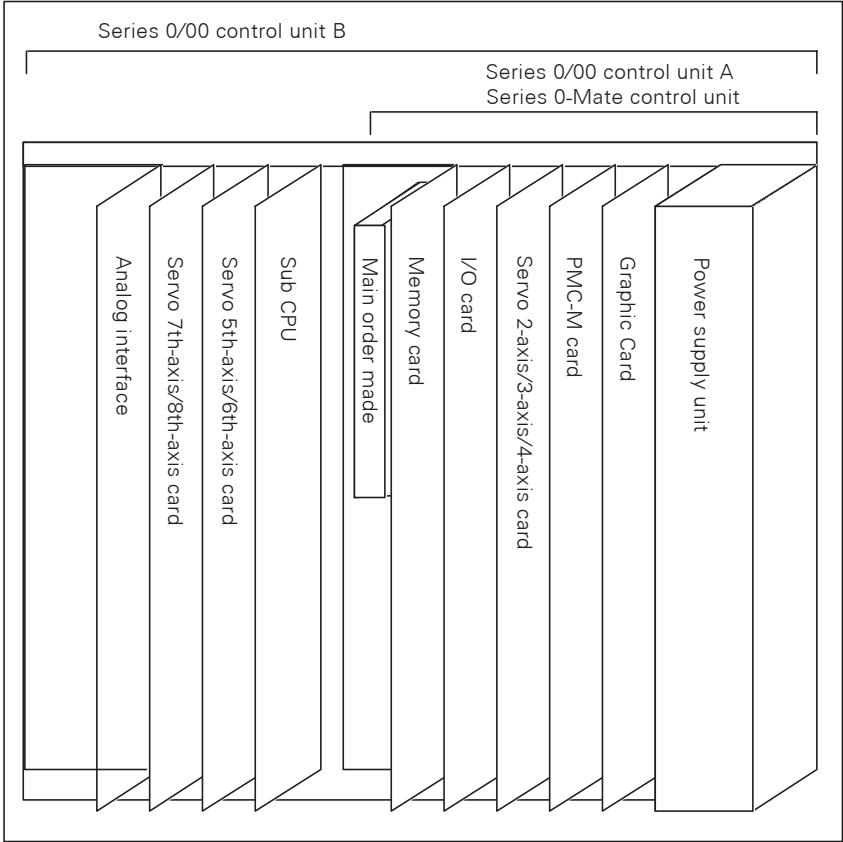
- |                       |   |
|-----------------------|---|
| 1 - Elbow, then 0 °   | 0 degrees. The cable lines up with the shaft - present elbow configuration.   |
| 2 - Elbow, then 45 °  | Feedback cables are rotated 45 degrees to avoid the power connector.          |
| 3 - Elbow, then 90 °  | Feedback cables are rotated 90 degrees.                                       |
| 4 - Elbow, then 135 ° | Power cables are rotated 45 degrees from 180 to avoid the feedback connector. |
| 5 - Elbow, then 180 ° | 180 degrees. The feedback cable exits toward the encoder.                     |
| 0 - straight          |   |



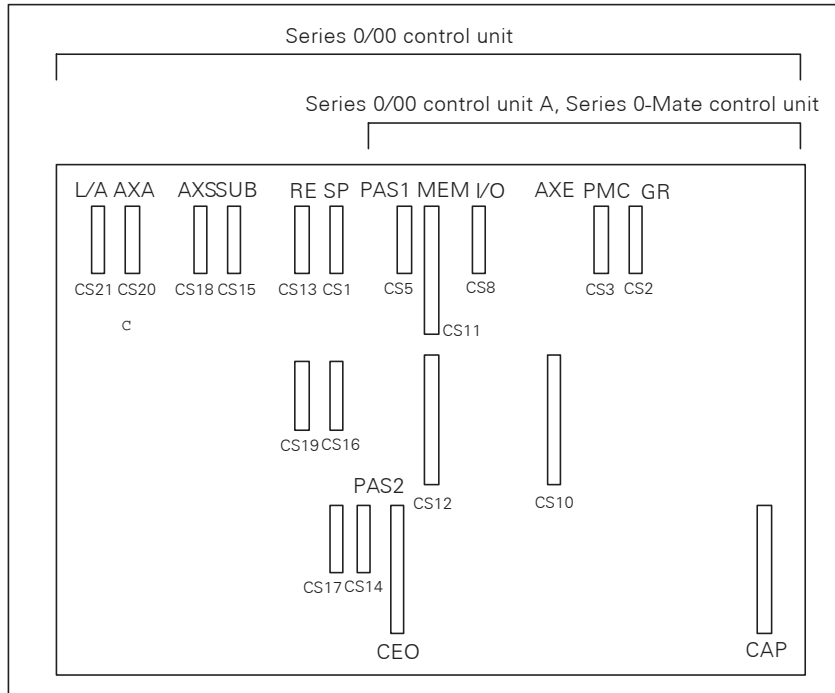
Note: Although this cable numbering system has great flexibility, it is not practical to supply all possible combinations.

# Series 0 Model C/D Part Numbers

## Hardware Structure



# Printed Circuit Boards



RENEWAL PARTS

2-18

Module		Renewal Part No.	Remark
Power Supply (CAP)	Power Supply A	A16B-1211-0850	
	Power Supply B	A16B-1212-0110	
	Power Supply AI	A16B-1212-0100	
	Power Supply AI for CE	A16B-1212-0950	
Graphic Card (GR)	9" Hi-Res Mono, 14" Color	A16B-1211-0920	
	9" BW, resolution Color	A16B-1211-0340	
	9" hi-resolution color, 9" hi-resolution mono, 14" color	A16B-2200-0350	
MPG Interface		A16B-1210-0801	

# FANUC CNC Parts



*Printed Circuit Boards (cont.)*

Module		Renewal Part No.	Remark
PMC	PMC-M (electric) ROM Board	A16B-1211-0901	
	PMC-M (electric) RAM Board	A16B-1211-0907	
	PMC-M (optical) ROM Board	A16B-1211-0903	
	PMC-M (optical) RAM Board	A16B-1211-0909	
	PMC-M MMC Interface (electric) ROM Board	A16B-1211-0900	
	PMC-M MMC Interface (electric) RAM Board	A16B-1211-0906	
	PMC-M MMC Interface (optical) ROM Board	A16B-1211-0902	
	PMC-M MMC Interface (optical) RAM Board	A16B-1211-0908	
	No PMC/MMC Interface	A16B-1211-0904	
	PMC (I/O link) ROM Board Master/Slave	A16B-2200-0340	
	PMC (I/O link) RAM Board Master/Slave	A16B-2200-0345	
	PMC (I/O link) ROM Board Slave Only	A16B-2200-0341	
	PMC (I/O link) RAM Board Slave Only	A16B-2200-0346	
	MMC Interface	A16B-1211-0910	

## Printed Circuit Boards (cont.)

	Module	Renewal Part No.	Remark
Axis (AXE)	3/4 Axes Card, Separate Position Detector	A16B-2200-0220	16-bit controls
		A16G-220-0390* (replaces A16B-2200-0360)	32-bit controls
	2-Axes Card, Separate Position Detector	A16B-2200-0221	16-bit controls
		A16B-2200-0391* (replaces A16B-2200-0361)	32-bit controls
	3/4 Axes Card, Serial Pulse Coder	A16B-2200-0390	
	2-Axes Card, Serial Pulse Coder	A16B-2200-0391	
	3/4 Axes Card, Separate Position Detector (type-B)	A16B-2203-0020	Type B interface
	2-Axes Card, Separate Position Detector (type-B)	A16B-2203-0021	Type B interface
	5/6 Axes Card, Separate Position Detector	A16B-2200-0220	16-bit controls
		A16B-2200-0371	32-bit controls
		A16B-2200-0370	32-bit controls
	5/6 Axes Card, Serial Pulse Coder	A16B-2200-0800	
	7/8 Axes Card, Separate Position Detector	A16B-2200-0380	
	7 Axes Card, Separate Position Detector	A16B-2200-0381	
	7/8 Axes Card, Serial Pulse Coder	A16B-2200-0790	
7 Axes Card, Serial Pulse Coder	A16B-2200-0791		
I/O	I/O C7	A16B-1212-0220	
		A16B-2203-0110	
	I/O C6	A16B-1212-0221	
		A16B-2203-0111	
	I/O C5	A16B-1212-0222	
		A16B-2203-0112	
	I/O D7 (DI/DO=104/72)	A16B-1211-0945	
	I/O D6 (DI/DO=80/52)	A16B-1211-0946	
I/O E3	A16B-1211-0970		
I/O E2	A16B-1211-0971		
I/O E1	A16B-1211-0972		

\* also requires software upgrade:

> 0-MC with software series 0460, 0462, 0463, 0466 part number 44A728458-G35

> 0-TC with software series 0660, 0662, 0663, 0666 part number 44A728458-G36

Any other software series or for any machine with more than 4-axis, contact technical support

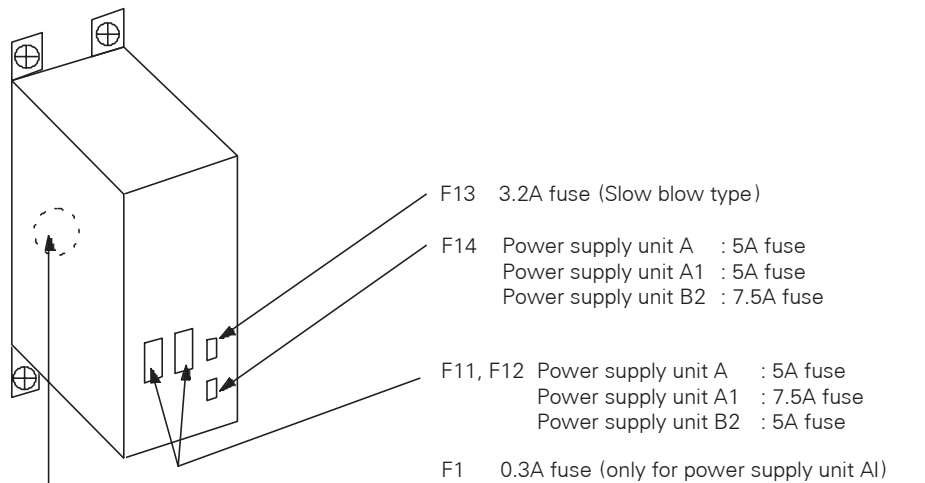
## Printed Circuit Boards (cont.)

Module		Renewal Part No.	Remark
MEM	Memory Card (no serial spindle)	A16B-1212-0210	
		A16B-2201-0103	
	Memory Card (serial spindle)	A16B-1212-0215	16-bit controls
		A16B-1212-0216	32-bit controls
	A16B-2201-0101	32-bit controls	
PAS1 PAS2 Macro Cassette  OMM: Order Made Macro (yellow label)  ME: Macro Executor (white label)	64 KB OMM	A02B-0091-C110	
	64 KB ME	A02B-0091-C111	
	128 KB OMM	A02B-0091-C112	
	128 KB ME	A02B-0091-C113	
	256 KB OMM	A02B-0091-C114	
	256 KB ME	A02B-0091-C115	
	512 KB OMM	A02B-0091-C116	
	512 KB ME	A02B-0091-C117	
	1 MB OMM	A02B-0091-C117	
	1 MB ME	A02B-0091-C118	
SP (JA1)(JA2)	Remote Buffer, DNC2 Card	A16B-2200-0770	16-bit controls
		A16B-2200-0775	32-bit controls
	DNC1 Card	A16B-2200-0771	16-bit controls
		A16B-2200-0776	32-bit controls
SUB	Sub CPU	A16B-2200-0320	
		A16B-2201-0120	
	Remote Buffer	A16B-1211-0930	
L/A	Analog Interface	A16B-1211-0961	



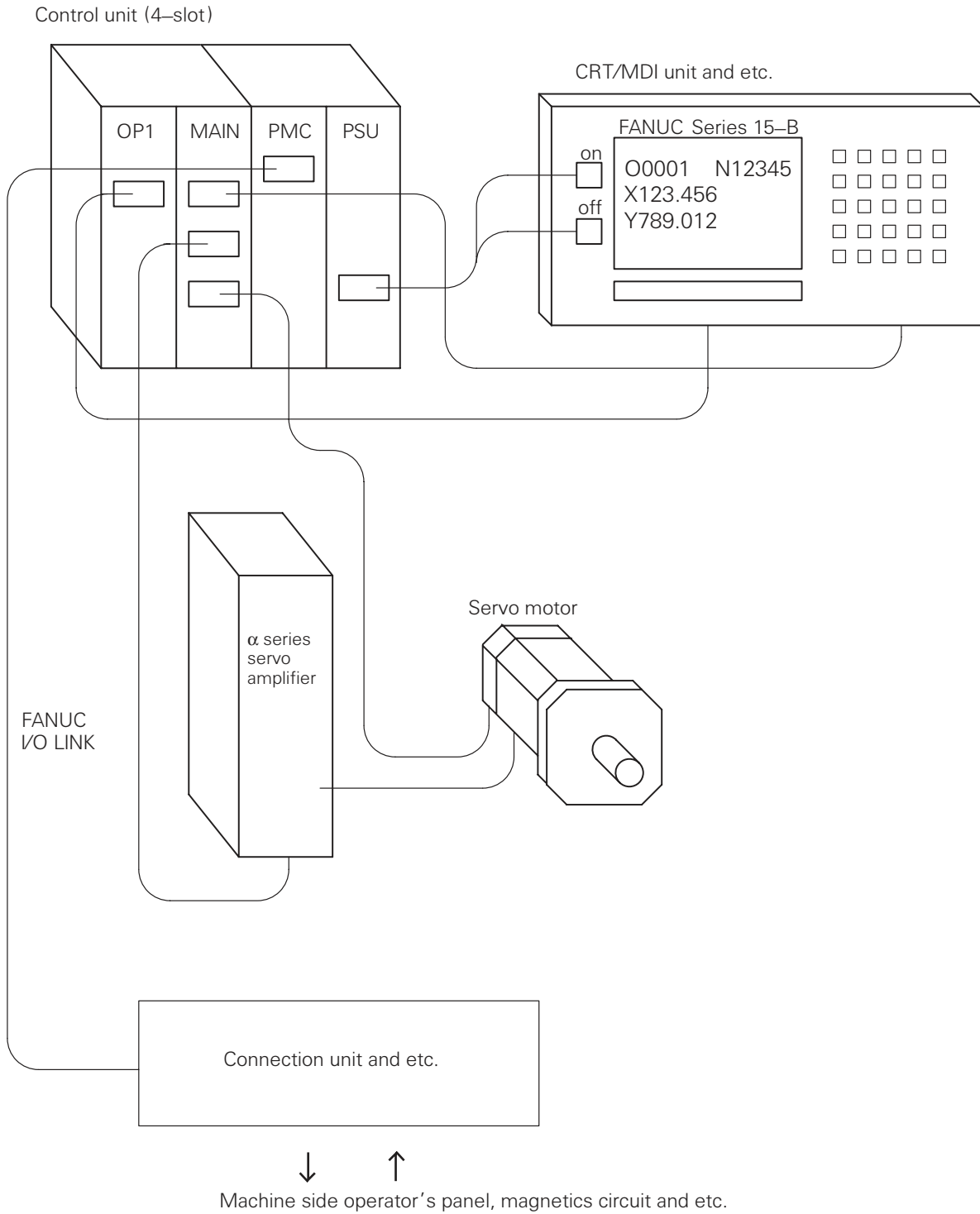
# Fuses

Unit name		Fuse	Rating	Renewal Part Number	Use
Power Supply Unit	A	F11, F12	5A	A60L-0001-0194#5.0	For 200VAC input
		F13	3.2A	A60L-0001-0075#3.2	+24V for CRT/MDI master or option printed circuit board
		F14	5A	A60L-0001-0046#5.0	Protection of +24E line in the machine from external failures
	AI	F11, F12	7.5A	A60L-0001-0245#GP75	For 200VAC input
		F13	3.2A	A60L-0001-0075#3.2	+24V for CRT/MDI master or option printed circuit board
		F14	5A	A60L-0001-0046#5.0	Protection of +24E line in the machine from external failures
		F1	5A	A60L-0001-0172#DM03	For sections inside the power supply unit
	B2	F11, F12	5A	A60L-0001-0194#5.0	For 200VAC input
		F13	3.2A	A60L-0001-0075#3.2	+24V for CRT/MDI master or option printed circuit board
		F14	7.5A	A60L-0001-0046#7.5	Protection of +24E line in the machine from external failures
	AI (CE MARK)	F1	7.5A	A60L-0001-0245#GP75	For 200VAC input
		F3	5A	A60L-0001-0075#5.0	+24V for CRT/MDI master or option printed circuit board
F4		5A	A60L-0001-0046#5.0	Protection of +24E line in the machine from external failures	
P.C.B. for input unit		F1, F2	10A	A60L- 0001- 0901#P4100H	For 200VAC input
		F3	0.3A	A60L- 0001- 0172#DM03	For power ON/OFF control circuit



# Series 15 Model B Part Numbers

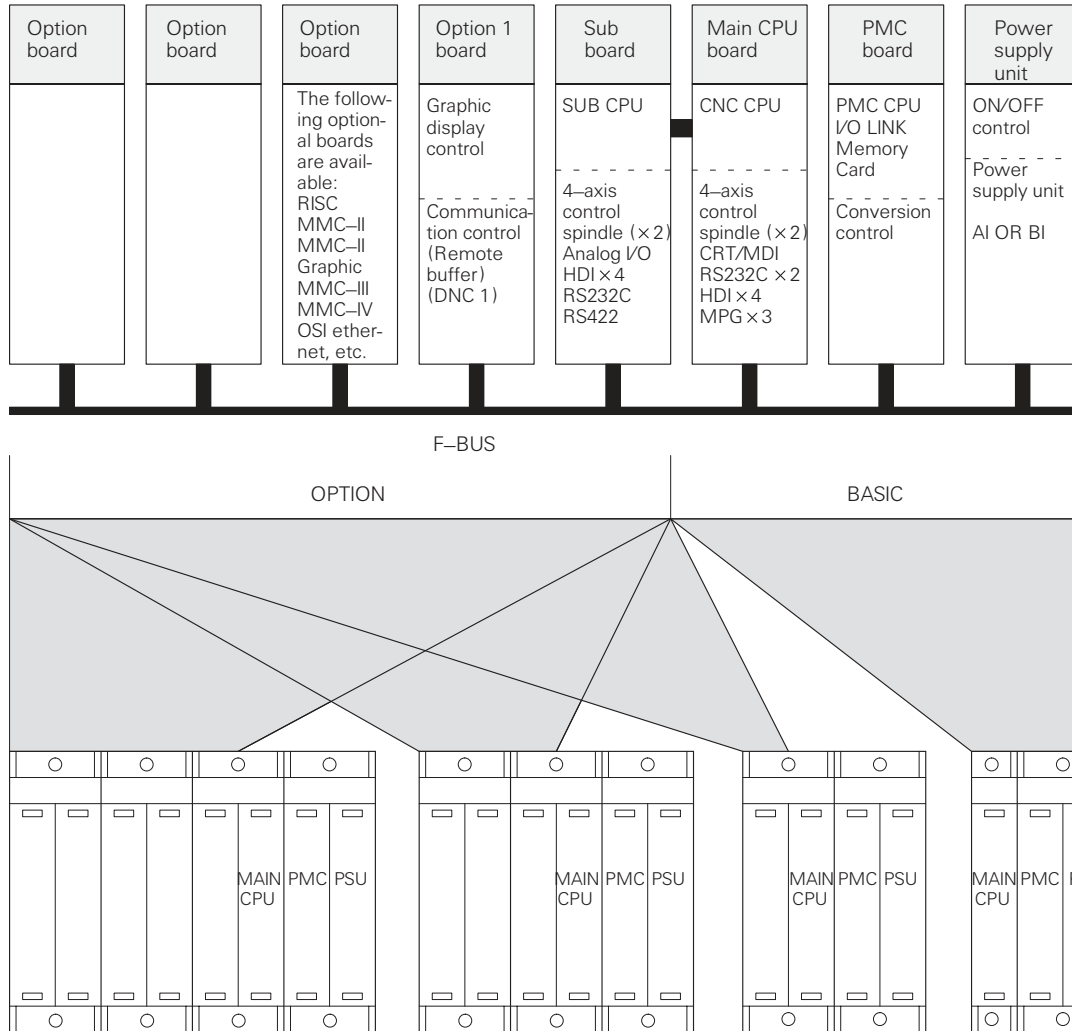
## Hardware Structure



# FANUC CNC Parts



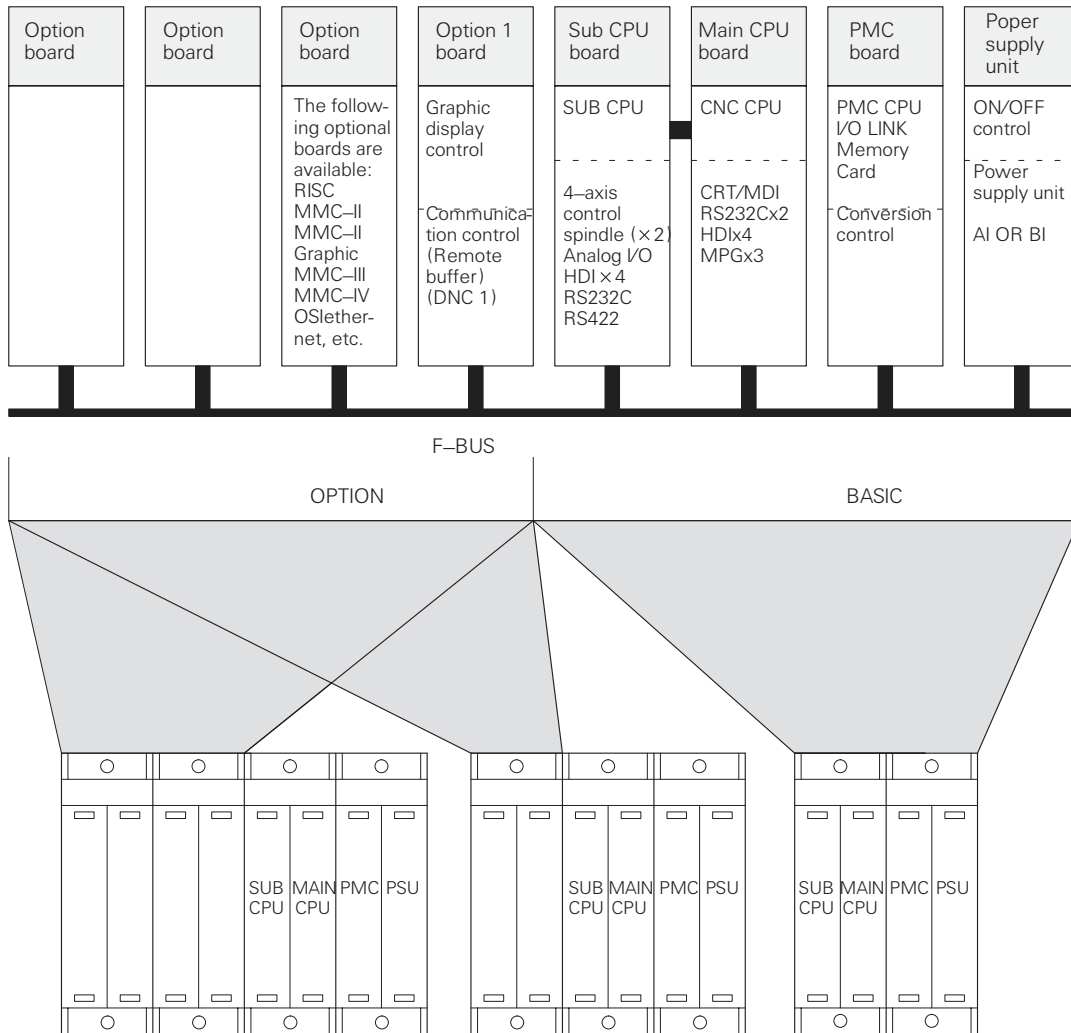
# System Structure



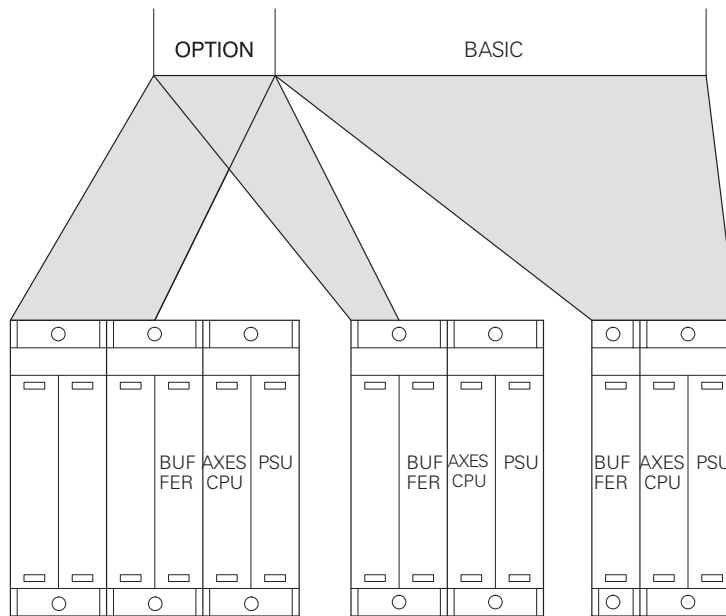
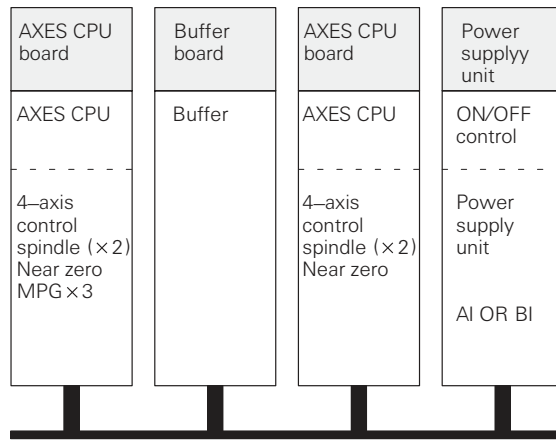
RENEWAL PARTS

2-25

# System Structure (cont.)



# System Structure (cont.)



## Control Rack

Module		Renewal Part No.	Remarks		
Control unit rack	3-SLOT	A02B-0162-C001	FANUC name plate	Standard	Without sub. BUS
	4-SLOT	A02B-0162-C002			
	6-SLOT	A02B-0162-C003			
	8-SLOT	A02B-0162-C004		E Version	
		A02B-0240-C004			
	6-SLOT	A02B-0162-C008		Response to MMC-IV	
	8-SLOT	A02B-0162-C009			
	3-SLOT	A02B-0162-C011	GE Fanuc name plate	Standard	
	4-SLOT	A02B-0162-C012			
	6-SLOT	A02B-0162-C013			
	8-SLOT	A02B-0162-C014		E Version	
		A02B-0240-C014			
	6-SLOT	A02B-0162-C018		Response to MMC-IV	
	8-SLOT	A02B-0162-C019			
	4-SLOT	A02B-0162-C022	FANUC name plate	Standard	With Sub. BUS
	6-SLOT	A02B-0162-C023			
	8-SLOT	A02B-0162-C024			
	6-SLOT	A02B-0162-C028		Response to MMC-IV	
	8-SLOT	A02B-0162-C029			
	4-SLOT	A02B-0162-C032	GE Fanuc name plate	Standard	
6-SLOT	A02B-0162-C033				
8-SLOT	A02B-0162-C034				
6-SLOT	A02B-0162-C038	Response to MMC-IV			
8-SLOT	A02B-0162-C039				

## Power Supplies

Module		Renewal Part No.	Remarks
Power supply unit	AI	A16B-1212-0471 A16B-1212-0901	Conventional type CE marking compatible type
	BI	A16B-1212-0531 A16B-1212-0871	Conventional type CE marking compatible type

## Control Printed Circuit boards

Module		Renewal Part No.	Remarks	Module ID
Main CPU board	Standard MAIN-B	A16B-2201-0320		
	High-speed MAIN-A	A16B-2201-0300		
	MAIN-C	A16B-3200-0060	Level up	
	MAIN-C	A16B-3200-0240	This board can not be used in Series 15MEK/MEL/TED/TEE/TEF.	
	High-speed MAX-MAIN-A	A16B-2201-0340	For multi axis control, synchronous control, and malfunction control	
	MAX-MAIN-C	A16B-2202-0640	For multi axis control, synchronous control, and malfunction control	
PMC/ Conversational board	Without conversational CPU for PMC-NA	A16B-2201-0371 A16B-2201-0391		?
	Without conversational CPU for PMC-NB	A16B-2201-0381 A16B-2201-0811		?
	Without conversational CPU for PMC-NB/NB2	A16B-2201-0851		?
	With conversational CPU for PMC-NA	A16B-2201-0390		???
	With conversational CPU for PMC-NB	A16B-2201-0810		?
	With conversational CPU for PMC-NB/NB2	A16B-2201-0850		??
Additional axis board		A16B-2201-0311		?
Axis CPU board		A16B-2201-0360		?
Buffer board		A16B-2201-0351		?
Sub CPU board	Standard MAX SUB-B	A16B-2201-0331	For multi axis control, synchronous Control, and malfunction control	?
	High-speed SUB-A	A16B-2201-0310		?
	SUB-C	A16B-2202-0571		?



## Printed Circuit boards (cont.)

Module		Renewal Part No.	Remarks		Module ID	
Option 1 board	Graphic + Remote buffer	A16B-2200-0910	Increase of graphic CPU RAM	For 10" LCD 9" graphic, or 14" CRT (digital)	45/3F	
	Graphic + DNC1	A16B-2200-0911			45/3F	
	Graphic	A16B-2200-0912			45	
	Graphic	A16B-2200-0917	Graphic CPU RAM (standard)		45	
	Graphic + Remote buffer	A16B-2200-0915			45/3F	
	Graphic + Remote buffer	A16B-2200-0918	Increase of graphic CPU RAM		For 9.5" LCD 8.4" LCD, MMC-IV, or 14" CRT (analog)	45/3F
	Graphic + DNC1	A16B-2200-0916				45/3F
	Graphic	A16B-2200-0919				45
	Remote buffer	A16B-2200-0913				3F
		DNC1	A16B-2200-0914			3F
RISC board		A16B-2201-0710			7F	
		A16B-3200-0150	This board can not be used in Series 15MEK/MEL/TED/TEE/TEF.		AF	
ROM cassette adapter		A20B-2000-0760			74	
OSI ethernet board		A16B-2201-0570	10 BASE 5 This board can not be used in Series 15MEK/MEL/TED/TEE/TEF.		6F	
		A16B-2201-0571	10 BASE 5 This board can not be used in Series 15MEK/MEL/TED/TEE/TEF.		6F	

## Back Panel Printed Circuit boards

Module		Renewal Part No.	Remarks
Back plane	3-SLOT	A20B-2000-0900	Standard
	4-SLOT	A20B-2000-0710	
	6-SLOT	A20B-2000-0720	
	8-SLOT	A20B-2000-0730	
	8-SLOT	A20B-2002-0430	for Series 15MEK/MEL/TED/TEE/TEF-B-4
	6-SLOT	A20B-2001-0651	Response to MMC-IV
	8-SLOT	A20B-2001-0661	
	Sub bus	A20B-1005-0270	

## Modules (main CPU)

Module		Renewal Part No.	Remarks
Spindle control	Serial spindle + High-speed skip	A20B-2900-0672	
	Analog spindle + High-speed skip	A20B-2900-0770	
Peripheral module		A20B-2900-0660	
FLASH ROM	8MB	A20B-2902-0375*	Note that, for those modules marked with *, the corresponding software is required.
	6MB	A20B-2900-0810	
	4MB	A20B-2900-08111	
	4MB	A20B-2902-0374*	
	2MB	A20B-2900-0812	
DRAM module	4MB	A20B-2900-0651	For MAIN-C
	2MB	A20B-2900-0800	
	6MB	A20B-2901-0940	
	4MB	A20B-2901-0941	
	2MB	A20B-2901-0942	
High-speed SRAM module		A20B-2900-0641	
SRAM module	2MB	A20B-2900-0682	
	1MB	A20B-2900-0680	
	512KB	A20B-2900-0681	
	256KB	A20B-2900-0700	
	128KB	A20B-2900-0701	
	64KB	A20B-2900-0711	
Servo control module		A20B-2901-0340	Used for servo software series 9060 and 9061 (no restriction on the edition)
		A20B-2902-0400	Used for servo software series 9060/edition R or later Used for servo software series 9061/edition B or later
		A20B-2902-0180	Used for servo software series 9070
		A20B-2902-0420	Used for servo software series 9070 and 9080
Servo interface module		A20B-2900-0830 A20B-2901-0360 A20B-2902-0440	
CRT control module		A20B-2900-0691	9" CRT control
		A20B-2902-0520	Used for an intelligent terminal and graphic function built-in 10.4" LCD

## Modules (PMC / conversational board)

Module		Renewal Part No.	Remarks
PMC CPU	PMC-NA	A20B-2900-0780	
	PMC-NB	A20B-2901-0581	
PMC engine	PMC-NA	A20B-2900-0790	
	PMC-NB	A20B-2901-0660	
PMC control module	PMC-NB	A20B-2901-0960	
	PMC-NB2	A20B-2902-0250	
DRAM module	2MB	A20B-2900-0653	
	512KB	A20B-2900-0803	
	1M/512K	A20B-2902-0192	Only for PMC-NB/NB2
	512K/512K	A20B-2902-0193	
	-/512K	A20B-2902-0194	
SRAM module	1.25MB	A20B-2901-0400	Only for PMC-NB
	512KB	A20B-2901-0402	
Conversational CPU module		A20B-2901-0390	
EPROM module	1MB	A20B-2900-0290	
	768KB	A20B-2900-0291	
	512KB	A20B-2900-0292	
DRAM module	1MB	A20B-2900-0550	
	512KB	A20B-2900-0551	
	128KB	A20B-2900-0555	
SRAM module	512KB	A20B-2900-0541	
SRAM/DRAM module	512K/512K	A20B-2901-0413	Only for PMC-NB/NB2

## Modules (sub CPUs)

Module		Renewal Part No.	Remarks
Spindle control module	Analog spindle + High-speed skip	A20B-2900-0770	
	Serial spindle + High-speed skip	A20B-2900-0672	
Analog input & serial communication module		A20B-2900-0721	Serial communication is each one channel of RS-422 or RS-232C
Servo control module		A20B-2901-0340	Used for servo software series 9060 and 9061 (no restriction on the edition)
		A20B-2902-0400	Used for servo software series 9060/edition R or later. Used for servo software series 9061/edition B or later.
		A20B-2902-0180	Used for servo software series 9070
Servo interface module		A20B-2901-0360 A20B-2900-0830	
DRAM module	2MB	A20B-2900-0800	
	1MB	A20B-2900-0802	
	2MB	A20B-2901-0942	For SUB-C
High-speed SRAM module		A20B-2900-0641	
SRAM module	512KB	A20B-2900-0681	
	256KB	A20B-2900-0700	
Error motion check module		A20B-2900-0830	

## Series 15 Model B Modules (RISC board)

Module		Renewal Part No.	Remarks
SRAM module	512KB	A20B-2900-0541	
ROM module	512KB	A20B-2900-0292	

### Modules (option 1 board)

Module		Renewal Part No.	Remarks
CRT Control module	14" CRT	A20B-2901-0370	Standard
		A20B-2902-0278	
	10" LCD 10" PDP	A20B-2901-0372	
	9.5" LCD	A20B-2902-0272	
	9" CRT 9" PDP	A20B-2901-0371	
	14" CRT	A20B-2901-0373	MMC-III
	10" LCD	A20B-2901-0375	
MMC-IV	A20B-2902-0275	MMC-IV	
Communication control module		A20B-2900-0361	
Graphic control module		A20B-2900-0311	
Graphic CPU module		A20B-2900-0350	

#### NOTE

When a graphic function built-in 10.4" LCD is used, the option 1 board graphic function is not used.

### Modules (sub CPUs)

Module	Renewal Part No.	Remarks
DRAM module	A20B-2901-0254	
F-ROM module	A20B-2900-0481	

# Displays

Module		Renewal Part No.	Remarks	
9" CRT/MDI	Monochrome, vertical type	A02B-0162-C041		
		A02B-0162-C044		
		A02B-0163-C244	CE marking, English MDI	
		A02B-0163-C444	CE marking, Symbolic MDI	
	Monochrome, horizontal type	A02B-0162-C042		
		A02B-0162-C045		
		A02B-0163-C245	CE marking, English MDI	
		A02B-0163-C445	CE marking, Symbolic MDI	
	Color, vertical type	A02B-0162-C051		
		A02B-0162-C054		
	Color, horizontal type	A02B-0162-C052		
		A02B-0162-C055		
9" small CRT/MDI	Mono-chrome	M	A02B-0162-C101	
		M	A02B-0163-C301	CE marking, English MDI
	T	T	A02B-0162-C102	
		T	A02B-0163-C302	CE marking, English MDI
	Color	M	A02B-0162-C103	
		T	A02B-0162-C104	
9" PDP/MDI	Monochrome, horizontal type	A02B-0162-C062		
		A02B-0162-C065		
		A02B-0163-C265	CE marking, English MDI	
		A02B-0163-C465	CE marking, Symbolic MDI	
9" small PDP/MDI	Mono-chrome	M	A02B-0162-C105	
		M	A02B-0163-C305	CE marking, English MDI
	T	T	A02B-0162-C106	
		T	A02B-0163-C306	CE marking, English MDI

## Displays (cont.)

Module		Renewal Part No.	Remarks
9.5" LCD/ MDI	Color, vertical type	A02B-0162-C131	
		A02B-0163-C331	CE marking, English MDI
		A02B-0162-C141	MMC-IV
		A02B-0163-C341	MMC-IV, CE marking, English MDI
		A02B-0162-C133	15-TFB, 15-TTFB, 15TEF
		A02B-0163-C333	15-TFB, 15-TTFB, 15TEF, CE marking, English MDI
	Color, horizontal type	A02B-0162-C132	
		A02B-0163-C332	CE marking, English MDI
		A02B-0162-C142	MMC-IV
		A02B-0163-C342	MMC-IV, CE marking, English MDI
		A02B-0162-C132	15-TFB, 15-TTFB, 15TEF
		A02B-0163-C332	15-TFB, 15-TTFB, 15TEF, CE marking, English MDI
10" LCD/ MDI	Color, vertical type	A02B-0162-C071	
		A02B-0162-C073	15-TFB, 15-TTFB, 15TEF
	Color, horizontal type	A02B-0162-C072	
		A02B-0162-C074	15-TFB, 15-TTFB, 15TEF
10.4" LCD/ MDI	Color, vertical type	A02B-0163-C371	CE marking, graphic function built-in
		A02B-0163-C571	CE marking, graphic function built-in Symbolic MDI
		A02B-0163-C381	CE marking, for MMC-IV
		A02B-0163-C581	CE marking, for MMC-IV Symbolic MDI

## Displays (cont.)

Module		Renewal Part No.	Remarks
10.4" LCD/ MDI	Color, horizontal type	A02B-0163-C372	CE marking, graphic function built-in
		A02B-0163-C572	CE marking, graphic function built-in Symbolic MDI
		A02B-0163-C382	CE marking, for MMC-IV
		A02B-0163-C582	CE marking, for MMC-IV Symbolic MDI
10" PDP/ MDI	Monochrome, vertical type	A02B-0162-C081	
	Monochrome, horizontal type	A02B-0162-C082	
14" CRT/ MDI	Color, vertical type	A02B-0162-C091	
		A02B-0162-C093	15-TFB, 15-TTFB, 15TEF
		A02B-0162-C121	MMC-IV
		A02B-0163-C321	CE marking, English MDI*
		A02B-0163-C323	CE marking, English MDI, 15-TFB, 15-TTFB, 15TEF
		A02B-0163-C523	CE marking, Symbolic MDI, 15-TFB, 15-TTFB, 15TEF
	Color, horizontal type	A02B-0162-C092	
		A02B-0162-C094	15-TFB, 15-TTFB, 15TEF
		A02B-0162-C122	MMC-IV
		A02B-0163-C322	CE marking, English MDI*
		A02B-0163-C324	CE marking, English MDI, 15-TFB, 15-TTFB, 15TEF
		A02B-0163-C522	CE marking, Symbolic MDI
Separate type CRT	Monochrome	A02B-0162-C046	
	Color	A02B-0162-C056	
Separate type PDP	Monochrome	A02B-0162-C066	
		A02B-0163-C268	CE marking



## Displays (cont.)

Module		Renewal Part No.	Remarks
Separate type 10.4" LCD unit	Color	A02B-0222-C150	CE marking, graphic function built-in
Separate type 9.5" LCD unit	Monochrome	A02B-0222-C110	CE marking

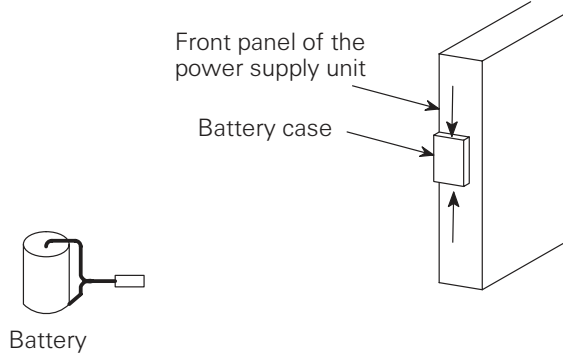
\* : Shared by 15-MB, 15-MFB, 15-TB, 15-TTB, 15MEL 15TEE and MMC-IV

## External Control Unit

Module		Renewal Part No.	Remarks
Separate type MDI unit		A02B-0162-C111	
		A02B-0162-C112	
		A02B-0163-C312	CE marking, English MDI
		A02B-0163-C313	CE marking, Symbolic MDI
		A02B-0163-C316	CE marking, for separate type LCD, vertical type, English MDI*
		A02B-0163-C317	CE marking, for separate type LCD, horizontal type, English MDI*
		A02B-0163-C318	CE marking, for separate type LCD, vertical type, English MDI*
		A02B-0163-C319	CE marking, for separate type LCD, horizontal type, English MDI*
Connection unit 1		A20B-1005-0310	DI/DO 96/64
Connection unit 2		A20B-1003-0200	DI/DO 96/64
Operator's panel con- nection unit	DI/DO 64/32	A16B-2200-0661	Sink type
		A16B-2202-0731	Source type
	DI/DO 96/64	A16B-2200-0660	Sink type
		A16B-2202-0730	Source type
Optical I/O Link adaptor		A13B-0154-B001	
Input unit for multiple axis system		A14B-0076-B402	

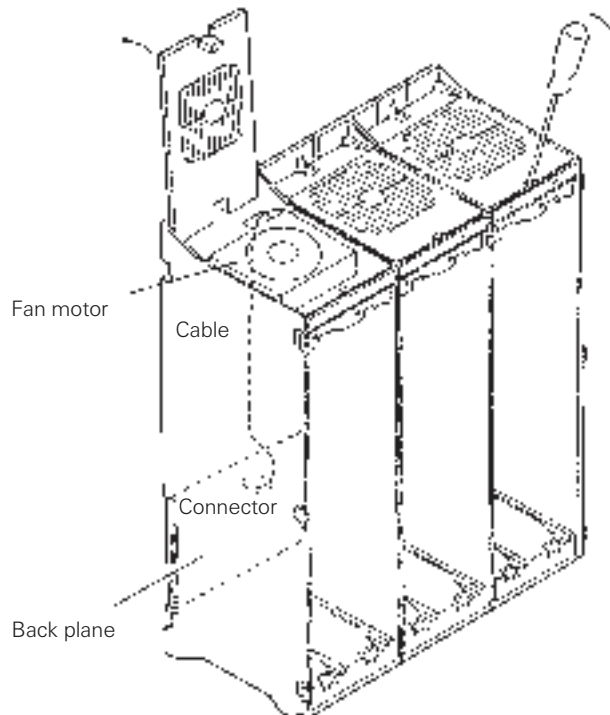
## Batteries

When the power supply unit is A02B-0162-H101 or -H102:  
 Order part number A98L-0031-0007  
 When the power supply unit is A02B-0162-H107 or -H108:  
 Order part number A98L-0031-0012



## Fans

	Renewal Part No.	Number of units required
For 2-slot rack	A90L-0001-0378	For 1-slot rack
For 1-slot rack	A90L-0001-0385#A	For 2-slot rack



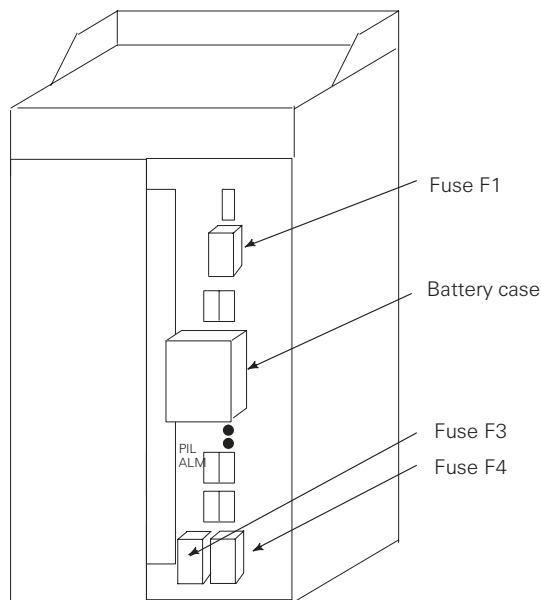
# Fuses

non CE-mark controls

Power supply	System Part No.	Symbol	Rating	Renewal Part No.	Application
AI	A02B-0200-K100	F1	7.5A	A60L-0001-0245#GP75	For the 200-VAC input power supply
		F3	3.2A	A60L-0001-0075#3.2	24-V indicator, main CPU, +24V for optional PC boards
		F4	5AS	A60L-0001-0046#5.0	Protection of the machine-side +24E line from external failures
BI	A02B-0200-K101	F1	7.5A	A60L-0001-0245#GP100	For the 200-VAC input power supply
		F3	5A	A60L-0001-0075#5.0	24-V indicator, main CPU, +24V for optional PC boards
		F4	5AS	A60L-0001-0046#5.0	Protection of the machine-side +24E line from external failures

RENEWAL PARTS

2-40



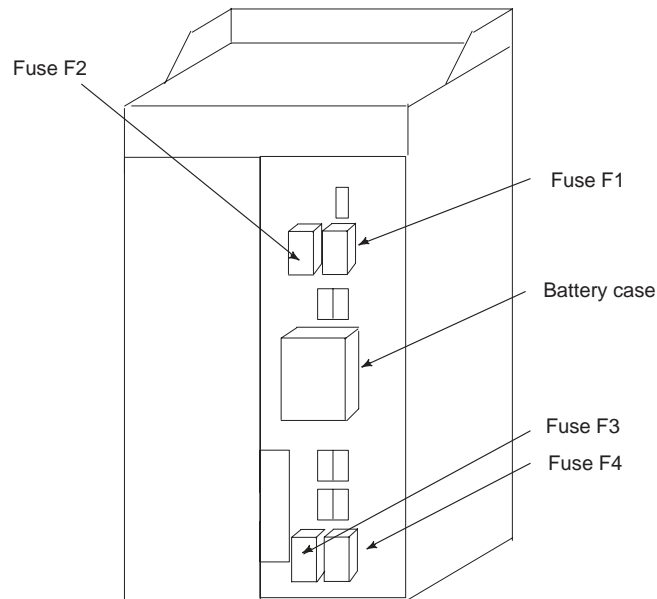
# FANUC CNC Parts



## Fuses (cont)

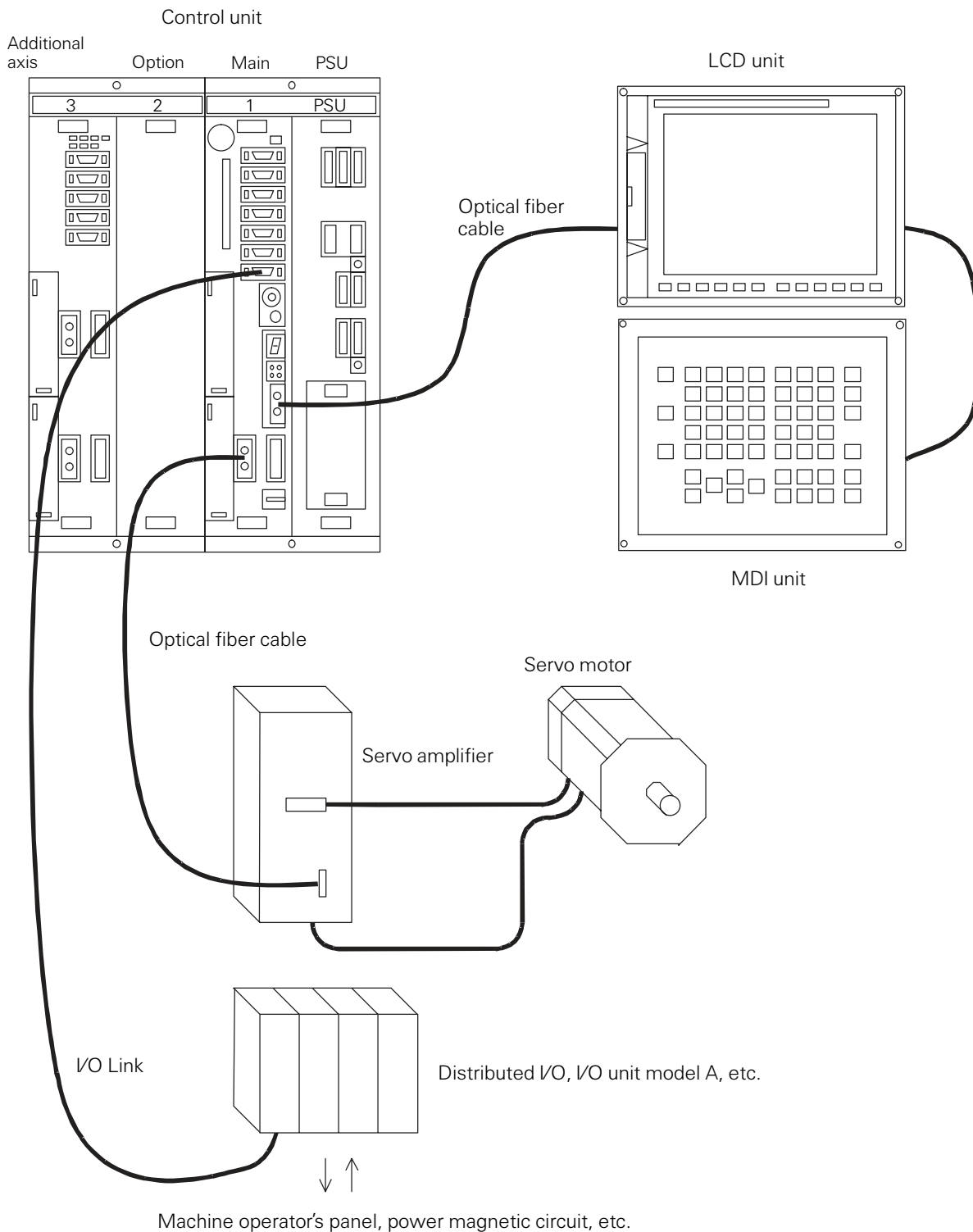
### CE-mark controls

Power supply	System Part No.	Symbol	Rating	Renewal Part No.	Application
AI	A02B-0120-K102	F1	7.5A	A60L-0001-0245#GP75	For a 200-VAC input power supply
		F2	7.5A	A60L-0001-0245#GP75	For a 200-VAC input power supply
		F3	3.2A	A60L-0001-0075#3.2	24-V indicator, main CPU, +24V for optional PC boards
		F4	5AS	A60L-0001-0046#5.0	Protection of the machine-side +24E line from external failures
		F5	0.3A	A60L-0001-0290#LM03	Inside the power supply unit
BI	A02B-0120-K103	F1	10A	A60L-0001-0245#GP100	For a 200-VAC input power supply
		F2	10A	A60L-0001-0245#GP100	For a 200-VAC input power supply
		F3	5A	A60L-0001-0075#5.0	24-V indicator, main CPU, +24V for optional PC boards
		F4	5AS	A60L-0001-0046#5.0	Protection of the machine-side +24E line from external failures
		F5	0.3A	A60L-0001-0290#LM03	Inside the power supply unit

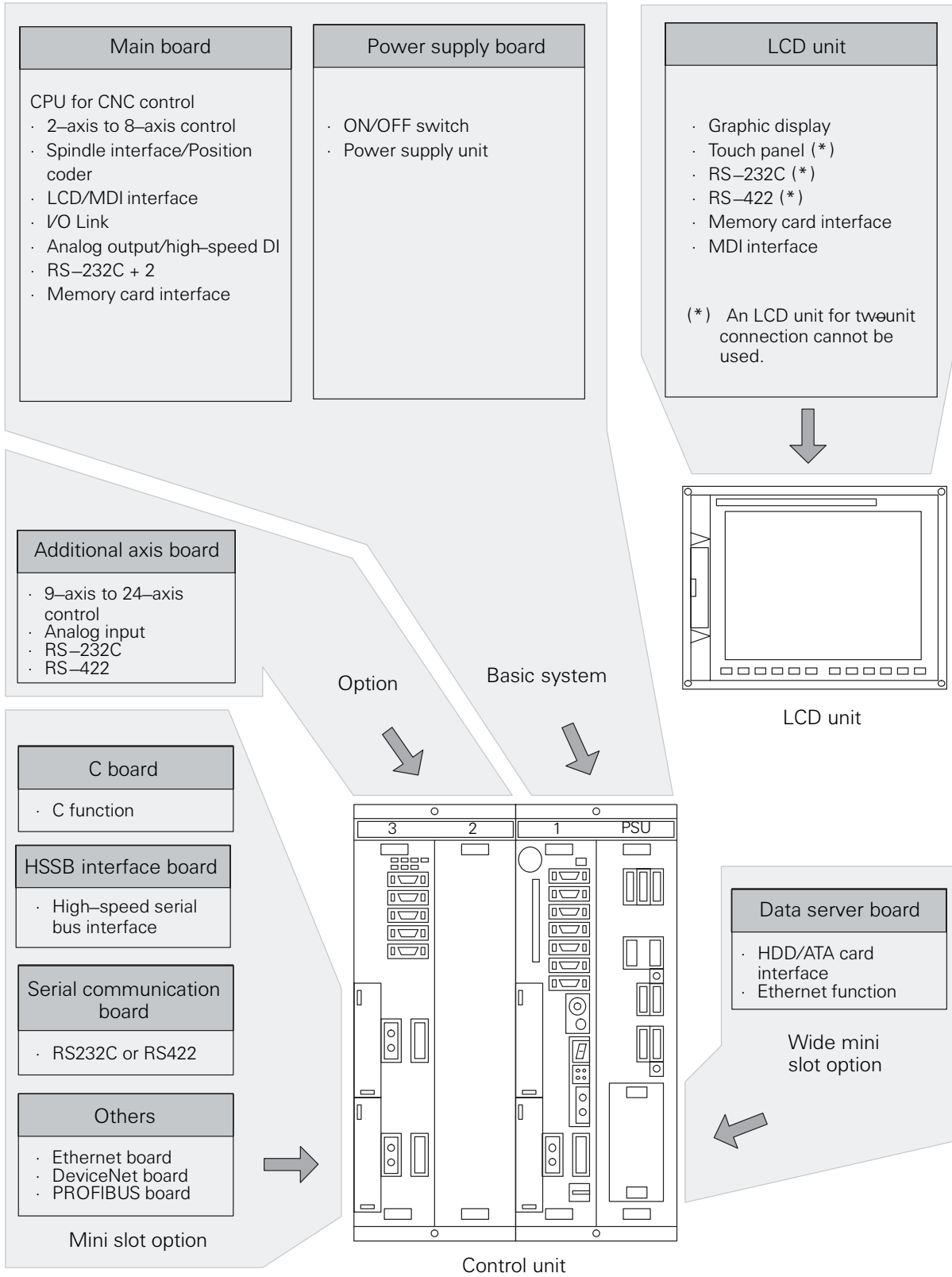


# Series 15i Model A Part Numbers

## Hardware Structure



# System Structure



## Basic Unit

Model	Module	Renewal Part No.	Remarks
FS15i/150i	Basic unit	A02B-0261-C002	With 2 slots
		A02B-0261-C004	With 4 slots

## Power Supply

Model	Module	Renewal Part No.	Remarks
FS15i/150i	Power supply unit	A16B-2203-0370	

## LCD Unit

Model	Module	Renewal Part No.	Remarks
FS15i/150i	10.4", color LCD unit Type A (without graphic display/touch panel)	A02B-0261-C101	With soft keys (10 + 2)
	10.4", color LCD unit Type B (with graphic display/touch panel)	A02B-0261-C102	Without soft keys
	10.4", color LCD unit Type AA (with graphic display, without touch panel, for connection to two units)	A02B-0265-C072	With soft keys (10 + 2)
	9.5", monochrome LCD unit Type C (graphic display)	A02B-0261-C111	With soft keys (10 + 2)
	9.5", monochrome LCD unit Type C (character display)	A02B-0261-C121	With soft keys (10 + 2)

## Standalone MDI Unit

Model	Module	Renewal Part No.	Remarks
FS15i/150i	MDI unit with 56 keys (vertical type)	A02B- 0261- C151#MCR	English keys
	MDI unit with 56 keys (horizontal type)	A02B- 0261- C152#MCR	English keys
	MDI unit with 56 keys (vertical type)	A02B- 0261- C151#MCS	Symbolic keys
	MDI unit with 56 keys (horizontal type)	A02B- 0261- C152#MCS	Symbolic keys
	MDI unit with 61 keys (vertical type)	A02B- 0261- C161#MCR	English keys
	MDI unit with 61 keys (horizontal type)	A02B- 0261- C162#MCR	English keys
	MDI unit with 61 keys (vertical type)	A02B- 0261- C161#MCS	Symbolic keys
	MDI unit with 61 keys (horizontal type)	A02B- 0261- C162#MCS	Symbolic keys



## Intelligent Terminal

Model	Module		Renewal Part No.	Remarks
FS150i	Intelligent terminal basic unit with 10.4" color TFT display (Pentium version)	PD	A13B-0178-C025	Without touch panel and soft keys
		PE	A13B-0178-C026	Without touch panel, with soft keys
		PF	A13B-0178-C027	With touch panel, without soft keys
	Intelligent terminal basic unit with 10.4" color TFT display (MMX-Pentium version)	PH	A13B-0178-C050	Without touch panel and soft keys
		PJ	A13B-0178-C051	Without touch panel, with soft keys
		PK	A13B-0178-C052	With touch panel, without soft keys
	Intelligent terminal basic unit with 12.1"	PL	A13B-0178-C060	Without touch panel and soft keys color TFT display (MMX-Pentium version)
		PM	A13B-0178-C061	Without touch panel, with soft keys
		PN	A13B-0178-C062	With touch panel, without soft keys
	Hard disk unit	HDD	A13B-0178-C032	For Pentium version
		HDD	A02B-0236-C266	For MMX-Pentium
		Fan	A02B-0236-C267	
	ISA expansion unit		A13B-0178-C040	For Pentium version
			A13B-0178-C041	For MMX-Pentium

# Panel i

Model	Module			Renewal Part No.	Remarks (Parent specifications)
FS150i	Base unit A1	10.4" LCD type	Without touch panel and soft keys	A08B- 0082- D001	A08B- 0082- B001 A13B- 0193- B001
	Base unit A2		Without touch panel , with soft keys	A08B- 0082- D002	A08B- 0082- B002 A13B- 0193- B002
	Base unit A3		With touch panel , without soft keys	A08B- 0082- D003	A08B- 0082- B003 A13B- 0193- B003
	Base unit A4		With touch panel and soft keys	A08B- 0082- D004	A08B- 0082- B004 A13B- 0193- B004
	Base unit B1	12.1" LCD type	Without touch panel and soft keys	A08B- 0082- D011	A08B- 0082- B011 A13B- 0193- B011
	Base unit B2		Without touch panel , with soft keys	A08B- 0082- D012	A08B- 0082- B012 A13B- 0193- B012
	Base unit B3		With touch panel , without soft keys	A08B- 0082- D013	A08B- 0082- B013 A13B- 0193- B013
	Base unit B4		With touch panel and soft keys	A08B- 0082- D014	A08B- 0082- B014 A13B- 0193- B014
	Base unit C1	15.0" LCD type	Without touch panel and soft keys	A08B- 0082- D021	A08B- 0082- B021
	Base unit C3		With touch panel , without soft keys	A08B- 0082- D023	A08B- 0082- B023

## NOTE

The base unit for maintenance is the basic unit (conforming to the parent specifications) minus the main printed circuit board and its mounting screws.

Model	Name	Part No.	Remarks
FS150i	Hard disk unit (Including FAN for HDD)	A08B- 0082- C100	A08B- 0082- H100 A13B- 0193- H100

## Other Options for Intelligent Terminal and Panel i

Model	Module		Renewal Part No.	Remarks
FS150i	Separate type full-keyboard	For Intelligent terminal (A13B- 0178- B025 to- B027) with 10.4" LCD display type (Pentium version)	A02B- 0234- C120#EC	English
			A02B- 0234- C120#JC	Japanese
		For Intelligent terminal (A13B- 0178- B030 to- B032) with 10.4" LCD display type (MMX Pentium version) or Panel i (A08B- 0082- B001 to- B004)	A02B- 0236- C131#EC	English
			A02B- 0236- C131#JC	Japanese
		For Intelligent terminal (A13B- 0178- B040 to- B042) with 12.1" LCD display type (MMX Pentium version) or Panel i (A08B- 0082- B011 to- B014)	A02B- 0236- C132#EC	English
			A02B- 0236- C132#JC	Japanese
		Panel i (A08B- 0082- B021 to- B023) with 15.0 LCD display type	A08B- 0082- C150#EC	English
			A08B- 0082- C150#JC	Japanese

## Standalone MDI Unit

Model	Module	Renewal Part No.	Remarks
FS150i	MDI unit with 56 keys (vertical type) for 10.4"	A02B- 0261- C153#MCR	English key
	MDI unit with 56 keys (horizontal type) for 10.4"	A02B- 0261- C154#MCR	English key
	MDI unit with 56 keys (vertical type) for 10.4"	A02B- 0261- C153#MCS	Symbolic key
	MDI unit with 56 keys (horizontal type) for 10.4"	A02B- 0261- C154#MCS	Symbolic key
	MDI unit with 61 keys (vertical type) for 10.4"	A02B- 0261- C163#MCR	English key
	MDI unit with 61 keys (horizontal type) for 10.4"	A02B- 0261- C164#MCR	English key
	MDI unit with 61 keys (vertical type) for 10.4"	A02B- 0261- C163#MCS	Symbolic key
	MDI unit with 61 keys (horizontal type) for 10.4"	A02B- 0261- C164#MCS	Symbolic key
	MDI unit with 56 keys (vertical type) for 12.1"	A02B- 0261- C155#MCR	English key
	MDI unit with 56 keys (horizontal type) for 12.1"	A02B- 0261- C156#MCR	English key
	MDI unit with 56 keys (vertical type) for 12.1"	A02B- 0261- C155#MCS	Symbolic key
	MDI unit with 56 keys (horizontal type) for 12.1"	A02B- 0261- C156#MCS	Symbolic key
	MDI unit with 61 keys (vertical type) for 12.1"	A02B- 0261- C165#MCR	English key
	MDI unit with 61 keys (horizontal type) for 12.1"	A02B- 0261- C166#MCR	English key
	MDI unit with 61 keys (vertical type) for 12.1"	A02B- 0261- C165#MCS	Symbolic key
	MDI unit with 61 keys (horizontal type) for 12.1"	A02B- 0261- C166#MCS	Symbolic key

## Data Server Hard Disk

Model	Module	Renewal Part No.	Remarks
FS15i/150i	Hard disk unit	A02B- 0261- C171	
		A02B- 0261- C172	
		A02B- 0261- C173	

## Control Printed Circuit Boards

Type	Module	Renewal Part No.	ID	ID- 2	Remarks	
Master PCB	Main CPU board	A16B- 3200- 0300	EB			
	Additional axis board	A16B- 2203- 0340	D8			
Card PCB	CPU card	A20B- 3300- 0101	0A	FF	16M	
		A20B- 3300- 0250	0A	7F	Memory extension version	
		A17B- 3300- 0400	0A	EF	For high- speed processing	
	Axis control card	A17B- 3300- 0200	07		8 axes	
		A17B- 3300- 0201	06		6 axes	
		A20B- 3300- 0120	05		4 axes	
		A20B- 3300- 0240	08		8 axes, Corresponding to servo HRV3, One optical connector	
		A20B- 3300- 0244	08		8 axes, Corresponding to servo HRV3, Two optical connectors	
		A20B- 3300- 0241	08		6 axes, Corresponding to servo HRV3, One optical connector	
		A20B- 3300- 0245	08		6 axes, Corresponding to servo HRV3, Two optical connectors	
		A20B- 3300- 0242	08		4 axes, Corresponding to servo HRV3, One optical connector	
		A20B- 3300- 0121	04		2 axes	
		A20B- 3300- 0243	08		2 axes, Corresponding to servo HRV3, One optical connector	
DIMM module	FROM module	E	A20B- 3900- 0070	X7	16M	
		D	A20B- 3900- 0071	X5	12M	
		C	A20B- 3900- 0072	X3	8M	
		B	A20B- 3900- 0073	X2	6M	
	SRAM module	E	A20B- 3900- 0020	X5		3M
		D	A20B- 3900- 0060	X4		2M
		C	A20B- 3900- 0061	X3		1M
		B	A20B- 3900- 0052	X2		512K
		A	A20B- 3900- 0053	X1		256K
	DRAM module for serial communication board and C board		A20B- 3900- 0042	85		4MB

## Control Printed Circuit Boards (cont.)

Type	Module		Renewal Part No.	ID	Remarks
Option PCB	HSSB interface board	On CNC side	A20B- 8001- 0730	AA	Mounted in mini slot
		For 1 channel For ISA slot	A20B- 8001- 0583		On PC side
		For 2 channels For ISA slot	A20B- 8001- 0582		On PC side
		For 1 channel For PCI slot	A20B- 8001- 0961		On PC side
		For 2 channels For PCI slot	A20B- 8001- 0960		On PC side
	Data servo board	For HDD	A20B- 8001- 0510	FE	Mounted in wide mini slot
		For ATA card	A20B- 8001- 0511	FE	Mounted in wide mini slot
	ATA card interface board		A20B- 2100- 0500		Mounted on data server board
	C language board		A20B- 8100- 0330	E0	Mounted in mini slot
	Serial communication board A1	RS232C I/F	A20B- 8100- 0334	E1	Mounted in mini slot
	Serial communication board A2	RS422 I/F	A20B- 8100- 0335	E1	Mounted in mini slot
	Ethernet board		A20B- 8100- 0450	E6	Mounted in mini slot
	DeviceNet master board B		A20B- 8100- 0491	EF	Mounted in mini slot
	DeviceNet slave board C		A20B- 8100- 0650	BF	Mounted in mini slot
	PROFIBUS - DP board (master)		A20B- 8100- 0470	FC	Mounted in mini slot
PROFIBUS - DP board (slave)		A20B- 8100- 0440	E3	Mounted in mini slot	
Backpanel PCB	Backpanel		A20B- 2002- 0770		2 slots
			A20B- 2002- 0760		4 slots

## Control Printed Circuit Boards (cont.)

Type	Module		Renewal Part No.	ID	Remarks
For LCD unit	LCD control PCB		A20B- 8100- 0415		
			A20B- 8100- 0630		For two LCD connection
	Display control card	10.4" color	A20B- 3300- 0150		Graphics
		9.5" monochrome	A20B- 3300- 0153		Graphics
			A20B- 3300- 0090		Characters only
	Inverter	10.4" color	A20B- 2002- 0500		Old inverter
			A20B- 8001- 0920		Can replace old inverter
		9.5" monochrome	A20B- 2002- 0480		Old inverter
			A20B- 8001- 0910		
			A20B- 8002- 0130		Can replace old inverter
	Touch panel interface		A20B- 8001- 0620		
	Soft key	10.4" color	A86L- 0001- 0261#A		
		9.5" mono chrome	A20B- 1007- 0481		
Intelligent terminal (A13B- 0178- B025 to - B042)	Main printed circuit board		A20B- 2100- 0242		Pentium
			A20B- 2100- 0450		MMX Pentium
	Intelligent terminal CPU card	PA, PB, PC	A02B- 0236- C261		Pentium
		For MPB, MPC, 10.4"	A02B- 0207- J560 #6130		MMX Pentium
		For MPD, MPE, 12.1"	A02B- 0207- J560 #6131		MMX Pentium
	Intelligent terminal DRAM module	For CPU card, MPC, MPE	A76L- 0500- 0014		64MB
		For CPU card, MPB, MPD	A76L- 0500- 0013		32MB
		For CPU card, PC	A76L- 0500- 0016		64MB
		For CPU card, PA, PB	A76L- 0500- 0011		32MB
	Inverter	For 10.4"	A20B- 2002- 0500		Pentium
		For 10.4"	A14L- 0132- 0001		MMX Pentium
		For 12.1"	A20B- 2002- 0890		MMX Pentium
	Soft key printed circuit board	For 10.4"	A86L- 0001- 0261		
		For 12.1"	A20B- 1007- 0530		
	Touch panel interface		A20B- 8001- 0620		
	ISA expansion backplane		A20B- 2002- 0240		

## Control Printed Circuit Boards (cont.)

Type	Module		Renewal Part No.	Remarks	
Panel i (A08B- 0082- B001 to - B023)	Main printed circuit board	For 10.4"/12.1" display	A20B- 2100- 0690		
		For 15" display	A20B- 2100- 0691		
	Inverter	For 10.4" display	A14L- 0132- 0001		
		For 12.1" display	A20B- 2002- 0890		
		For 15" display	A14L- 0143- 0002		
	Soft key printed circuit board	For 10.4" display	A86L- 0001- 0261		
		For 12.1" display	A20B- 1007- 0760		
	Touch panel interface			A20B- 8001- 0620	
	Card PC (MMX Pentium)	For 10.4" display	A08B- 0082- H500 #6132	A08B- 0082- H010 A13B- 0193- H010	
		For 12.1" display	A08B- 0082- H500 #6133	A08B- 0082- H011 A13B- 0193- H011	
		For 15" display	A08B- 0082- H500 #6134	A08B- 0082- H012	
	Card PC (Pentium II)	For 10.4" display	A08B- 0082- H511 #6138	A08B- 0082- H020 A13B- 0193- H020	
		For 12.1" display	A08B- 0082- H511 #6139	A08B- 0082- H021 A13B- 0193- H021	
		For 15" display	A08B- 0082- H511 #6140	A08B- 0082- H022	
	Main memory	DRAM 32MB (*)	A76L- 0500- 0013	A08B- 0082- H001 A13B- 0193- H001	
		DRAM 64MB	A76L- 0500- 0014	A08B- 0082- H002 A13B- 0193- H002	
		DRAM 128MB	A76L- 0500- 0017	A08B- 0082- H003 A13B- 0193- H003	

(\*) Main memory (32MB DRAM) is available on MMX Pentium machines only.



## Control Printed Circuit Boards

Type	Module		Renewal Part No.	Remarks
PCB connected via I/O Link	Operator's panel I/O module	Matrix input	A20B- 2002- 0470	
		1- to- 1 input	A20B- 2002- 0520	With manual pulse generator interface
			A20B- 2002- 0521	Without manual pulse generator interface
	Connector panel I/O module	Basic module	A20B- 2100- 0150	
		Expansion module A	A20B- 2100- 0410	With manual pulse generator interface
		Expansion module B	A20B- 2100- 0411	Without manual pulse generator interface
		Expansion module C	A20B- 2100- 0320	2- A output module
		Expansion module D	A20B- 2100- 0190	Analog output module
	Connection unit 1		A20B- 1005- 0310	DI=96, DO=64
	Connection unit 2		A20B- 1003- 0200	DI=96, DO=64
	Operator's panel connection unit	Sink- type output A	A16B- 2200- 0661	DI=64, DO=32
		Sink- type output B	A16B- 2200- 0660	DI=96, DO=64
		Source- type output A	A16B- 2200- 0731	DI=64, DO=32
		Source- type output B	A16B- 2200- 0730	DI=96, DO=64
Machine operator's panel interface unit		A16B- 2201- 0110		

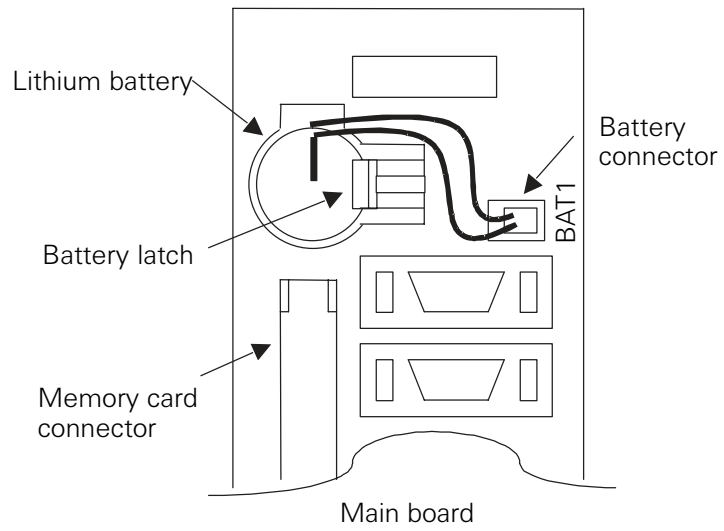
## Other Printed Circuit Boards (cont.)

Module	Renewal Part No.	Remarks	
Separate detector interface unit	Basic 4 axes	A02B- 0236- C203	
	Basic 4 axes	A02B- 0236- C205	Corresponding to servo HRV3
	Additional 4 axes	A02B- 0236- C204	
Connector panel I/O module	Basic module	A03B- 0815- C001	
	Expansion module A	A03B- 0815- C002	With manual pulse generator interface
	Expansion module B	A03B- 0815- C003	Without manual pulse generator interface
	Expansion module C	A03B- 0815- C004	2- A output module
	Expansion module D	A03B- 0815- C005	Analog output module

## Maintenance Parts

Module		Renewal Part No.	Remarks
Fan unit		A02B- 0260- C021	Fan for basic unit
Fan unit for intelligent terminal (A13B 0178- B025 to- B027)		A02B- 0236- K121	Fan for basic unit
Fan unit for intelligent terminal (A13B 0178- B030 to- B042)		A02B- 0236- K122	Fan for basic unit
Fan unit for Panel i (A08B- 0082- B001 to- B023)		A08B- 0082- K010	Fan for basic unit
Fan unit for 3.5" HDD of Intelligent terminal and Panel i		A13B- 0178- K001	Fan for 3.5" HDD
LCD backlight (for 9.5" LCD)		A02B- 0236- K114	
LCD backlight (for 10.4" LCD)		A02B- 0236- K116	
LCD backlight (for 12.1" LCD)		A02B- 0236- K117	
Fuse for power supply unit		A02B- 0261- K111	
Fuse for LCD power		A02B- 0265- K101	
Fuse for intelligent terminal (A13B 0178- B030 to- B042)		A02B- 0236- K100	For Pentium version
Fuse for Intelligent terminal 2 (A13B 0178- B030 to- B042) and Panel i (A08B- 0082- B001 to- B014)		A02B- 0236- K101	With 10.4 or 12.1" display
Fuse for Panel i (A08B- 0082- B021 to- B023)		A02B- 0082- K001	For 15" display
Fuse for data server hard disk		A02B- 0261- K121	
Fuse for operator's panel I/O module power		A03B- 0815- K001	
Fuse for connection panel I/O module power		A03B- 0815- K002	
Fuse for connection unit 1 power		A02B- 0072- K103	
Fuse for operator's panel connection unit power		A02B- 0163- K111	
Machine operator's panel interface unit	Fuse	A02B- 0120- K107	
	Relay terminal	A02B- 0120- K341	
Battery (for CNC control unit, intelligent terminal, and Panel i)		A02B- 0200- K102	One memory backup battery
External battery case for control unit		A02B- 0236- C281	Without cells
For separate absolute pulse coder (when absolute pulse coder is used with separate detector interface)	Battery case	A06B- 6050- K060	
	Battery	A06B- 6050- K061	With four D- size alkaline dry cells
	Battery cable	A02B- 0120- K809	5 m
For touch panel	10.4" protective sheet	A02B- 0236- K110	Replaceable protective sheet
	12.1" protective sheet	A02B- 0236- K118	Replaceable protective sheet
	15" protective sheet	A02B- 0236- K118	Replaceable protective sheet
	Pen	A02B- 0236- K111	
Fuse for additional input unit power		A02B- 0116- K102	
Fuse for separate detector interface unit		A02B- 0261- K101	

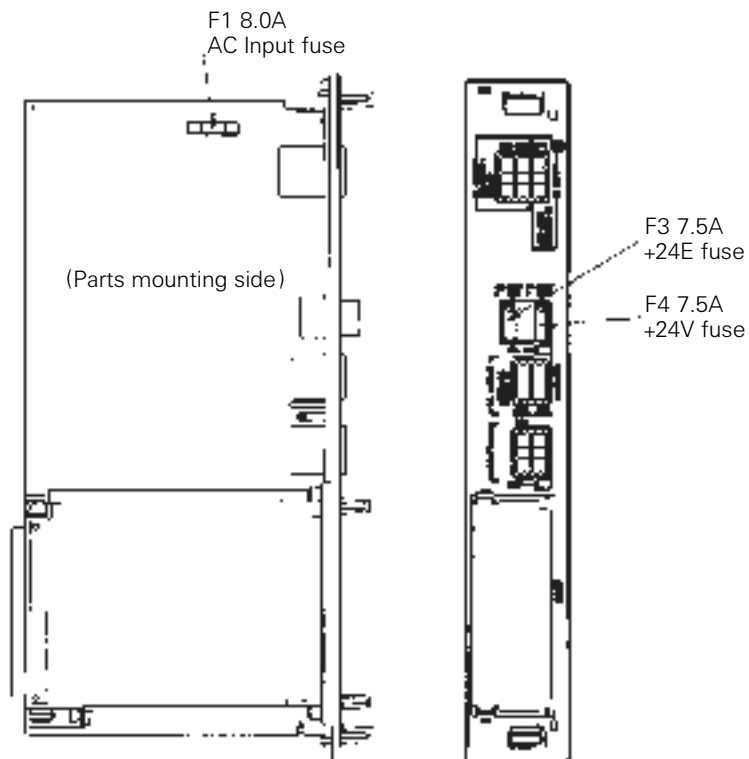
## Batteries



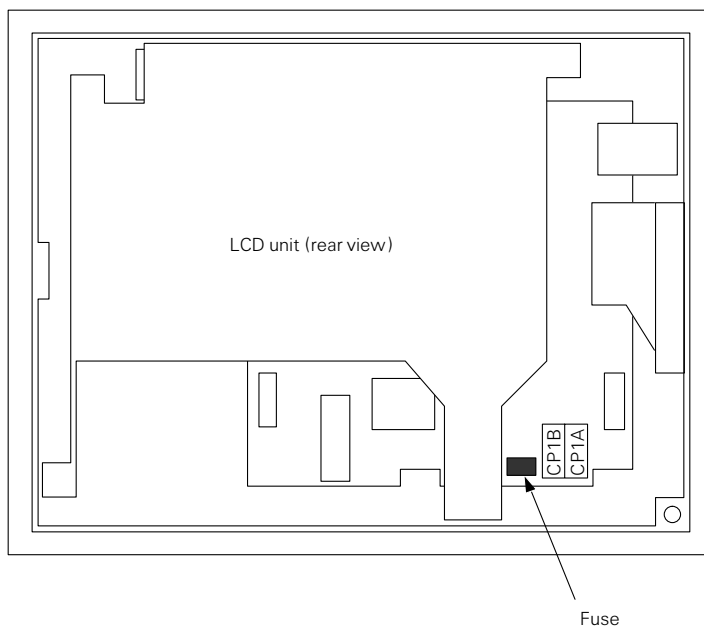
### WARNING

Using other than the recommended battery may result in the battery exploding. Replace the battery only with the specified battery (A02B-0200-K102).

# Fuses



- F1 . . . AC Input: A60L-0001-0396#8.0A
- F2 . . . +24E Output: A60L0001-0046#7.5
- F4 . . . +24V Output: A60L0001-0046#7.5



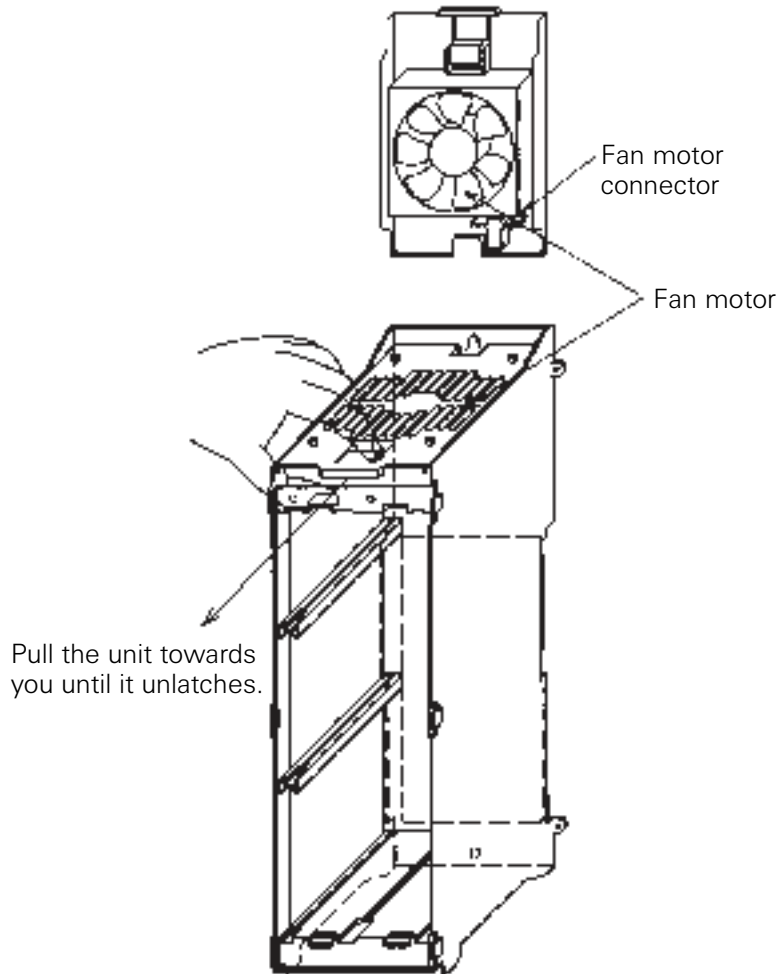
- System Part No. : A02B-0265-K101
- Rating : 2.0 A
- Renewal Part No. : A60L-0001-0290#LM20C

FANUC CNC Parts



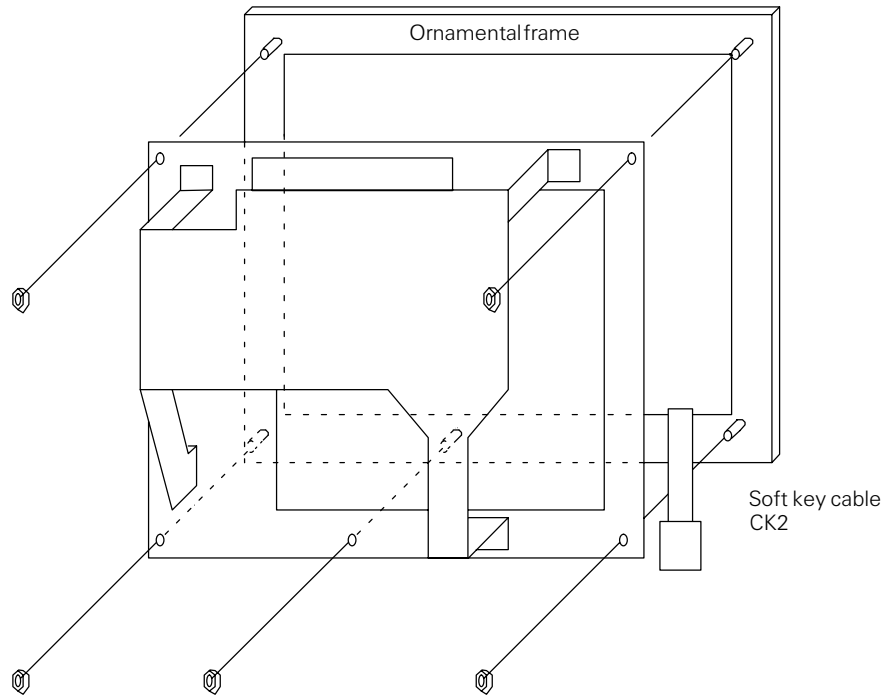
# Fans

Module	Renewal Part No.
Fan unit	A02B-0260-C021



# Backlight

Backlight	System Part No.	Renewal Part No.
Backlight for 9.5-inch LCD	A02B-0236-K114	A61L-0001-0154#BL
Backlight for 10.4-inch LCD	A02B-0236-K116	A61L-0001-0168#BL



RENEWAL PARTS

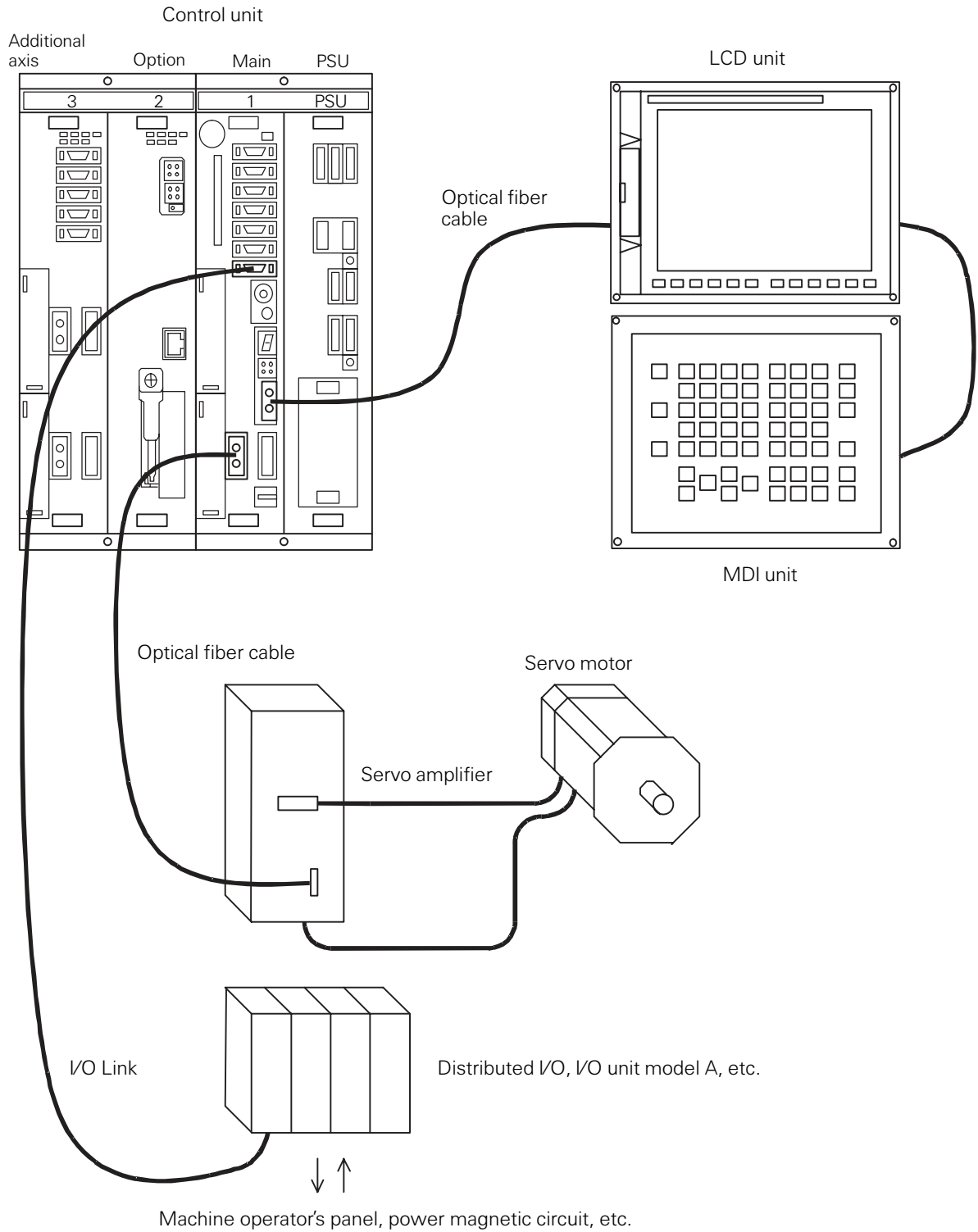
2-60

# FANUC CNC Parts



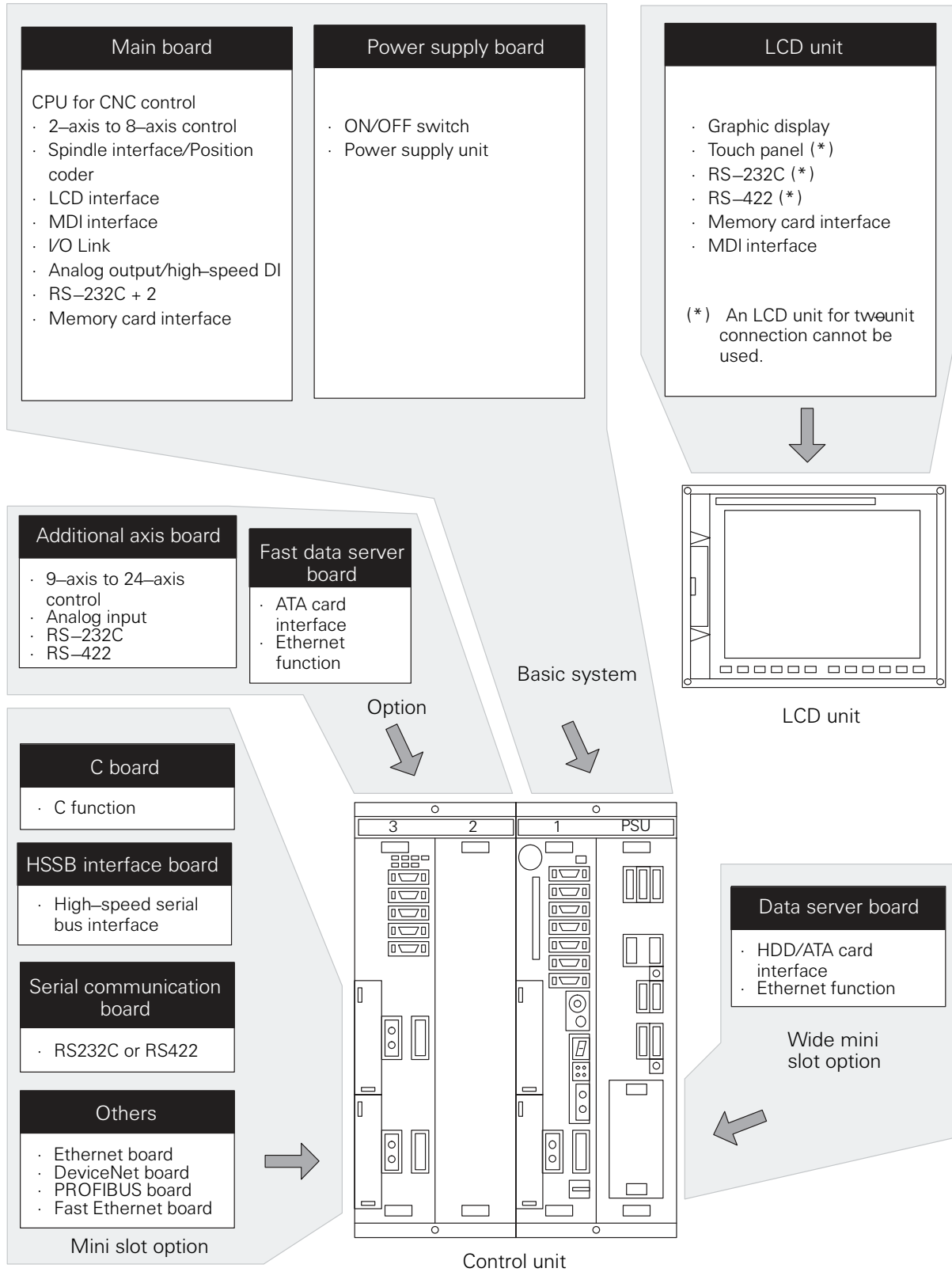
# Series 15i Model B Part Numbers

## Hardware Structure





# System Structure





## Basic Unit

Model	Name	Renewal Part No.	Remarks
FS15i/150i	Basic unit	A02B-0261-C002	With 2 slots
		A02B-0261-C004	With 4 slots

## Series 15i Model B Power Supply

Model	Name	Renewal Part No.	Remarks
FS15i/150i	Power supply unit	A16B-K2203-0370	

## Series 15i Model B LCD Units

Model	Name	Renewal Part No.	Remarks
FS15i/150i	10.4", color LCD unit Type A (without graphic display/touch panel)	A02B-0261-C101	With soft keys (10 + 2)
	10.4", color LCD unit Type B (with graphic display/touch panel)	A02B-0261-C102	Without soft keys
	10.4", color LCD unit Type AA (with graphic display, without touch panel, for connection to two units)	02B-0265-C072	With soft keys (10 + 2)
	9.5", monochrome LCD unit Type C (graphic display)	A02B-0261-C111	With soft keys (10 + 2)
	9.5", monochrome LCD unit Type C (character display)	A02B-0261-C121	With soft keys (10 + 2)

## Standalone MDI Units

Model	Module	Renewal Part No.	Remarks
FS15i/150i	MDI unit with 56 keys (vertical type)	A02B- 0261- C151#MCR	English keys
	MDI unit with 56 keys (horizontal type)	A02B- 0261- C152#MCR	English keys
	MDI unit with 56 keys (vertical type)	A02B- 0261- C151#MCS	Symbolic keys
	MDI unit with 56 keys (horizontal type)	A02B- 0261- C152#MCS	Symbolic keys
	MDI unit with 61 keys (vertical type)	A02B- 0261- C161#MCR	English keys
	MDI unit with 61 keys (horizontal type)	A02B- 0261- C162#MCR	English keys
	MDI unit with 61 keys (vertical type)	A02B- 0261- C161#MCS	Symbolic keys
	MDI unit with 61 keys (horizontal type)	A02B- 0261- C162#MCS	Symbolic keys

## Display Units with PC Functions

Model	Module				Renewal Part No.	Remarks (Parent specifications)
		LCD type	Soft key	Touch panel		
FS150i	Base unit A5	10.4"LCD	B	D	A08B- 0082- D031	A13B- 0193- B031 A13B- 0193- B035
	Base unit A6		A	D	A08B- 0082- D032	A13B- 0193- B032 A13B- 0193- B036
	Base unit A7		B	C	A08B- 0082- D033	A13B- 0193- B033 A13B- 0193- B037
	Base unit A8		A	C	A08B- 0082- D034	A13B- 0193- B034 A13B- 0193- B038
	Base unit B5	12.1"LCD	B	D	A08B- 0082- D041	A13B- 0193- B041 A13B- 0193- B045
	Base unit B6		A	D	A08B- 0082- D042	A13B- 0193- B042 A13B- 0193- B046
	Base unit B7		B	C	A08B- 0082- D043	A13B- 0193- B043 A13B- 0193- B047
	Base unit B8		A	C	A08B- 0082- D044	A13B- 0193- B044 A13B- 0193- B048
	Base unit C5	15.0"LCD	B	D	A08B- 0082- D051	A13B- 0193- B051 A13B- 0193- B055
	Base unit C7		B	C	A08B- 0082- D053	A13B- 0193- B053 A13B- 0193- B057

A: With soft keys, B : Without soft keys, C: With touch panel, D : Without touch panel

### NOTE

The base unit for maintenance is the basic unit (conforming to the parent specifications) minus the main printed circuit board and its mounting screws.

Model	Module	Renewal Part No.	Remarks
FS150i	Hard disk unit (Including FAN for HDD)	A08B- 0082- C100	A08B- 0082- H100

## Other Display Options

Model	Module		Renewal Part No.	Remarks
FS150i	Separate type full keyboard	For 10.4" LCD display type (A13B- 0198- B031 to- B038)	A02B- 0236- C131#EC	English
			A02B- 0236- C131#JC	Japanese
		For 12.1" LCD display type (A13B- 0193- B040 to- B048)	A02B- 0236- C132#EC	English
			A02B- 0236- C132#JC	Japanese
		For 15.0 LCD display type (A13B- 0193- B051 to- B057)	A08B- 0082- C150#EC	English
			A08B- 0082- C150#JC	Japanese
		For 15.0 LCD display type (A13B- 0193- B051 to- B057) Panch panelbuilt- in	A08B- 0082- C151#EC	English
			A08B- 0082- C151#JC	Japanese

## Standalone MDI Units

Model	Module	Renewal Part No.	Remarks
FS150i	MDI unit with 56 keys (vertical type) for 10.4"	A02B- 0261- C153#MCR	English key
	MDI unit with 56 keys (horizontal type) for 10.4"	A02B- 0261- C154#MCR	English key
	MDI unit with 56 keys (vertical type) for 10.4"	A02B- 0261- C153#MCS	Symbolic key
	MDI unit with 56 keys (horizontal type) for 10.4"	A02B- 0261- C154#MCS	Symbolic key
	MDI unit with 61 keys (vertical type) for 10.4"	A02B- 0261- C163#MCR	English key
	MDI unit with 61 keys (horizontal type) for 10.4"	A02B- 0261- C164#MCR	English key
	MDI unit with 61 keys (vertical type) for 10.4"	A02B- 0261- C163#MCS	Symbolic key
	MDI unit with 61 keys (horizontal type) for 10.4"	A02B- 0261- C164#MCS	Symbolic key
	MDI unit with 56 keys (vertical type) for 12.1"	A02B- 0261- C155#MCR	English key
	MDI unit with 56 keys (horizontal type) for 12.1"	A02B- 0261- C156#MCR	English key
	MDI unit with 56 keys (vertical type) for 12.1"	A02B- 0261- C155#MCS	Symbolic key
	MDI unit with 56 keys (horizontal type) for 12.1"	A02B- 0261- C156#MCS	Symbolic key
	MDI unit with 61 keys (vertical type) for 12.1"	A02B- 0261- C165#MCR	English key
	MDI unit with 61 keys (horizontal type) for 12.1"	A02B- 0261- C166#MCR	English key
	MDI unit with 61 keys (vertical type) for 12.1"	A02B- 0261- C165#MCS	Symbolic key
	MDI unit with 61 keys (horizontal type) for 12.1"	A02B- 0261- C166#MCS	Symbolic key

## Control Unit Printed Circuit Boards

Type	Module		Renewal Part No.	ID	ID- 2	Remarks
Master PCB	Main CPU board		A16B- 3200- 0400	EE		Mounted in slot 1
	Additional axis board		A16B- 2203- 0340	D8		Mounted in slot 3
Card PCB	CPU card		A17B- 3300- 0402	0A	BF	
	Axis control card		A20B- 3300- 0240	08		8 axes, One optical connector
			A20B- 3300- 0244	08		8 axes, Two optical connectors
			A20B- 3300- 0241	08		6 axes, One optical connector
			A20B- 3300- 0245	08		6 axes, Two optical connectors
			A20B- 3300- 0242	08		4 axes, One optical connector
			A20B- 3300- 0243	08		2 axes, One optical connector
DIMM module	FROM module	E	A20B- 3900- 0070	X7		16M
		D	A20B- 3900- 0071	X5		12M
		C	A20B- 3900- 0072	X3		8M
		B	A20B- 3900- 0073	X2		6M
	SRAM module	E	A20B- 3900- 0020	X5		3M
		D	A20B- 3900- 0060	X4		2M
		C	A20B- 3900- 0061	X3		1M
		B	A20B- 3900- 0052	X2		512K
		A	A20B- 3900- 0053	X1		256K
	DRAM module for serial communication board and C board		A20B- 3900- 0042	85		4MB



## Control Unit Printed Circuit Boards (cont.)

Type	Module		Renewal Part No.	ID	Remarks
Option PCB	HSSB interface board	On CNC side	A20B- 8001- 0730	AA	Mounted in mini slot
		For 1 channel For ISA slot	A20B- 8001- 0583		On PC side
		For 2 channels For ISA slot	A20B- 8001- 0582		On PC side
		For 1 channel For PCI slot	A20B- 8001- 0961		On PC side
		For 2 channels For PCI slot	A20B- 8001- 0960		On PC side
	Data servo board	For HDD	A20B- 8001- 0510	FE	Mounted in wide mini slot
		For ATA card	A20B- 8001- 0511	FE	Mounted in wide mini slot
	ATA card interface board		A20B- 2100- 0500		Mounted on data server board
	Fast data server board		A16B- 3200- 0462	4E	Mounted in slot 2
	ATA card adapter		A20B- 2100- 0500		Mounted in fast data server board
	C language board		A20B- 8100- 0330	E0	Mounted in mini slot
	Serial communication board A1	RS232C I/F	A20B- 8100- 0334	E1	Mounted in mini slot
	Serial communication board A2	RS422 I/F	A20B- 8100- 0335	E1	Mounted in mini slot
	Ethernet board		A20B- 8100- 0450	E6	Mounted in mini slot
	Fast Ethernet board		A20B- 8100- 0670	96	Mounted in mini slot
	DeviceNet master board B		A20B- 8100- 0491	EF	Mounted in mini slot
	DeviceNet slave board C		A20B- 8100- 0650	BF	Mounted in mini slot
	PROFIBUS - DP board (master)		A20B- 8100- 0470	FC	Mounted in mini slot
	PROFIBUS - DP board (slave)		A20B- 8100- 0440	E3	Mounted in mini slot
	Backpanel PCB	Backpanel		A20B- 2002- 0770	
A20B- 2002- 0760					4 slots

## Control Unit Printed Circuit Boards (cont.)

Type	Name		Part No.	ID	Remarks
For LCD unit	LCD control PCB		A20B- 8100- 0415		
			A20B- 8100- 0630		For two LCD connection
	Display control card	10.4" color	A20B- 3300- 0150		Graphics
		9.5" monochrome	A20B- 3300- 0153		Graphics
			A20B- 3300- 0090		Characters only
	Inverter	10.4" color	A20B- 8001- 0920		
		9.5" monochrome	A20B- 8002- 0130		
	Touch panel interface		A20B- 8001- 0620		
	Soft key	10.4" color	A86L- 0001- 0261 #A		
		9.5" mono chrome	A20B- 1007- 0481		

Type	Module			Renewal Part No.	Remarks (Parent specifications)
CNC display unit with PC functions	Main printed circuit board	Other OS than Windows95	For 10.4" LCD type	A20B- 2100- 0780	A13B- 0193- B031 to - B034
			For 12.1" LCD type	A20B- 2100- 0781	A13B- 0193- B041 to - B044
			For 15.0" LCD type	A20B- 2100- 0782	A13B- 0193- B051 to - B053
		Windows95	For 10.4" LCD type	A20B- 2100- 0783	A13B- 0193- B035 to - B038
			For 12.1" LCD type	A20B- 2100- 0784	A13B- 0193- B045 to - B048
			For 15.0" LCD type	A20B- 2100- 0785	A13B- 0193- B055 to - B057
	Inverter printed circuit board	For 10.4" LCD type		A14L- 0132- 0001 #B	A13B- 0193- B031 to - B038
		For 12.1" LCD type		A14L- 0143- 0001 #B	A13B- 0193- B041 to - B048
		For 15.0" LCD type		A14L- 0143- 0002 #B	A13B- 0193- B051 to - B057
	Soft key printed circuit board	For 10.4" LCD type		A86L- 0001- 0261	
		For 12.1" LCD type		A20B- 1007- 0760	
	Touch panel controller printed circuit board			A20B- 8001- 0620	

## Control Unit Printed Circuit Boards (cont.)

Type	Module			Renewal Part No.	Remarks (Parent specifications)
CNC display unit with PC functions	PC card	MMX Pentium 233MHz	For 10.4" LCD type	A08B- 0082- H500#6141	A08B- 0082- H010
			For 12.1" LCD type	A08B- 0082- H500#6142	A08B- 0082- H011
			15.0" LCD type	A08B- 0082- H500#6143	A08B- 0082- H012
		Celeron 400MHz	For 10.4" LCD type	A08B- 0082- H512#613D	A08B- 0082- H040
			For 12.1" LCD type	A08B- 0082- H512#613E	A08B- 0082- H041
			For 15.0" LCD type	A08B- 0082- H512#613F	A08B- 0082- H042
		PentiumIII 500MHz	For 10.4" LCD type	A08B- 0082- H520#613G	A08B- 0082- H050
			For 12.1" LCD type	A08B- 0082- H520#613H	A08B- 0082- H051
			For 15.0" LCD type	A08B- 0082- H520#613J	A08B- 0082- H052
	Main memory	For MMX-Pentium 233MHz	DRAM 32MB (*)	A76L- 0500- 0013 (Type: TOSHIBA THL64V4075BTG- 5S)	A08B- 0082- H001
			DRAM 64MB	A76L- 0500- 0014 (Type: TOSHIBA THL64V8015BTG- 5S)	A08B- 0082- H002
			DRAM 128MB	A76L- 0500- 0017 (Type: PFU PD- 2261ADS)	A08B- 0082- H003
		For Celeron 400MHz, PentiumIII 500MHz	SDRAM 64M	A76L- 0500- 0018 (Type: PFU PD- 2261ACS)	A08B- 0082- H004
			SDRAM 128M	A76L- 0500- 0019 (Type: PFU PD- 2261ADSA)	A08B- 0082- H005

(\* ) Main memory (DRAM 32MB) can be used with the MMX-Pentium only.

## Control Unit Printed Circuit Boards (cont.)

Type	Module		Renewal Part No.	Remarks
PCB connected via I/O Link	Operator's panel I/O module	Matrix input	A20B- 2002- 0470	
		1- to- 1 input	A20B- 2002- 0520	With manual pulse generator interface
			A20B- 2002- 0521	Without manual pulse generator interface
	Connector panel I/O module	Basic module	A20B- 2100- 0150	
		Expansion module A	A20B- 2100- 0410	With manual pulse generator interface
		Expansion module B	A20B- 2100- 0411	Without manual pulse generator interface
		Expansion module C	A20B- 2100- 0320	2- A output module
		Expansion module D	A20B- 2100- 0190	Analog output module
	Connection unit 1		A20B- 1005- 0310	DI=96, DO=64
	Connection unit 2		A20B- 1003- 0200	DI=96, DO=64
	Operator's panel connection unit	Sink- type output A	A16B- 2200- 0661	DI=64, DO=32
		Sink- type output B	A16B- 2200- 0660	DI=96, DO=64
		Source- type output A	A16B- 2200- 0731	DI=64, DO=32
		Source- type output B	A16B- 2200- 0730	DI=96, DO=64
Machine operator's panel interface unit		A16B- 2201- 0110		

## Other Printed Circuit Boards

Module		Renewal Part No.	Remarks
Separate detector interface unit	Basic 4 axes	A02B- 0236- C205	Corresponding to servo HRV3
	Additional 4 axes	A02B- 0236- C204	
Connector panel I/O module	Basic module	A03B- 0815- C001	
	Expansion module A	A03B- 0815- C002	With manual pulse generator interface
	Expansion module B	A03B- 0815- C003	Without manual pulse generator interface
	Expansion module C	A03B- 0815- C004	2- A output module
	Expansion module D	A03B- 0815- C005	Analog output module

## Maintenance Parts

Module		Renewal Part No.	Remarks
Fan unit		A02B- 0260- C021	Fan for basic unit
Fan unit for CNC display unit with PC functions		A08B- 0082- K010	Fan for basic unit
Fan unit for CNC display unit with PC functions		A13B- 0178- K001	Fan for 3.5" HDD
LCD backlight (for 9.5" LCD)		A02B- 0236- K114	
LCD backlight (for 10.4" LCD)		A02B- 0236- K116	
LCD backlight (for 12.1" LCD)		A02B- 0236- K117	
Fuse for power supply unit		A02B- 0261- K111	
Fuse for LCD power		A02B- 0265- K101	
Fuse for CNC display unit with PC functions		A02B- 0236- K101	With 10.4" display
Fuse for CNC display unit with PC functions		A02B- 0082- K001	With 12.1 or 15" display
Fuse for data server hard disk		A02B- 0261- K121	
Fuse for operator's panel I/O module power		A03B- 0815- K001	
Fuse for connection panel I/O module power		A03B- 0815- K002	
Fuse for connection unit 1 power		A02B- 0072- K103	
Fuse for operator's panel connection unit power		A02B- 0163- K111	
Machine operator's panel interface unit	Fuse	A02B- 0120- K107	
	Relay terminal	A02B- 0120- K341	
Battery (for CNC control unit and CNC display unit with PC functions)		A02B- 0200- K102	One memory backup battery
External battery case for control unit		A02B- 0236- C281	Without cells
For separate absolute pulse coder (when absolute pulse coder is used with separate detector interface)	Battery case	A06B- 6050- K060	
	Battery	A06B- 6050- K061	With four D- size alkaline dry cells
	Battery cable	A02B- 0120- K809	5 m
For touch panel	10.4" protective sheet	A02B- 0236- K130	Replaceable protective sheet
	12.1" protective sheet	A02B- 0236- K118	Replaceable protective sheet
	15" protective sheet	A02B- 0082- K020	Replaceable protective sheet
	Pen	A02B- 0236- K111	
Fuse for additional input unit power		A02B- 0116- K102	
Fuse for separate detector interface unit		A02B- 0261- K101	

## Maintenance Parts (cont.)

Module		Renewal Part No.
Floppy disk	Drive	A02B-0207-C008 (*)
	Cable (1.0 meter long)	A02B-0207-K801
Full keyboard	101-key type	A86L-0001-0210
	106-key type	A86L-0001-0211
Mouse		A86L-0001-0212

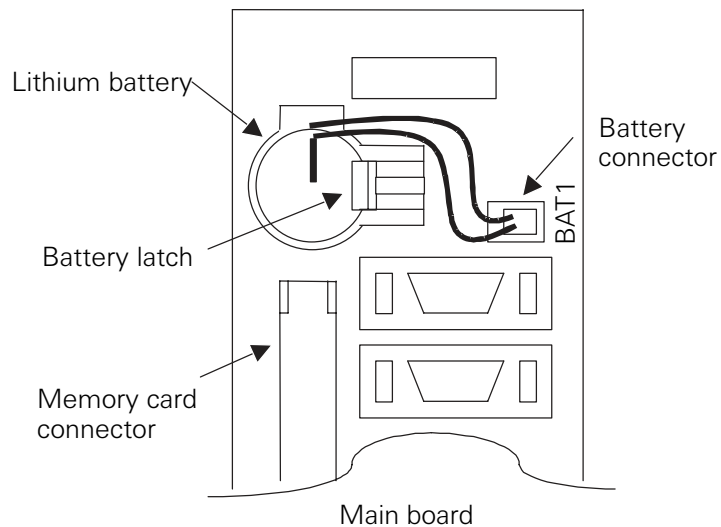
\*: When using a FANUC floppy disk drive for CNC display unit with PC functions, use a designated floppy disk drive. A combination with another FANUC floppy disk drive may not work.  
The customer selects the floppy disk drive to be used for CNC display unit with PC functions.

## Machine Operator Panel

Module	Renewal Part No.	Remarks
Main panel A	A02B- 0236- C230	
Main panel B	A02B- 0236- C231	
Main panel A1	A02B- 0236- C240	
Main panel B1	A02B- 0236- C241	
Sub panel A	A02B- 0236- C232	
Sub panel B	A02B- 0236- C233	
Sub panel C	A02B- 0236- C234	
Sub panel B1	A02B- 0236- C235	
Adapter sheet metal A	A250- 0892- T004	
Adapter sheet metal B	A250- 0892- T005	
I/O board for main panel A,B,A1, or B1	A20B- 8002- 0020	

Module	Renewal Part No.	Remarks
Fuse for main panel A,B,A1, or B1	A02B- 0200- K104	Related current : 1A

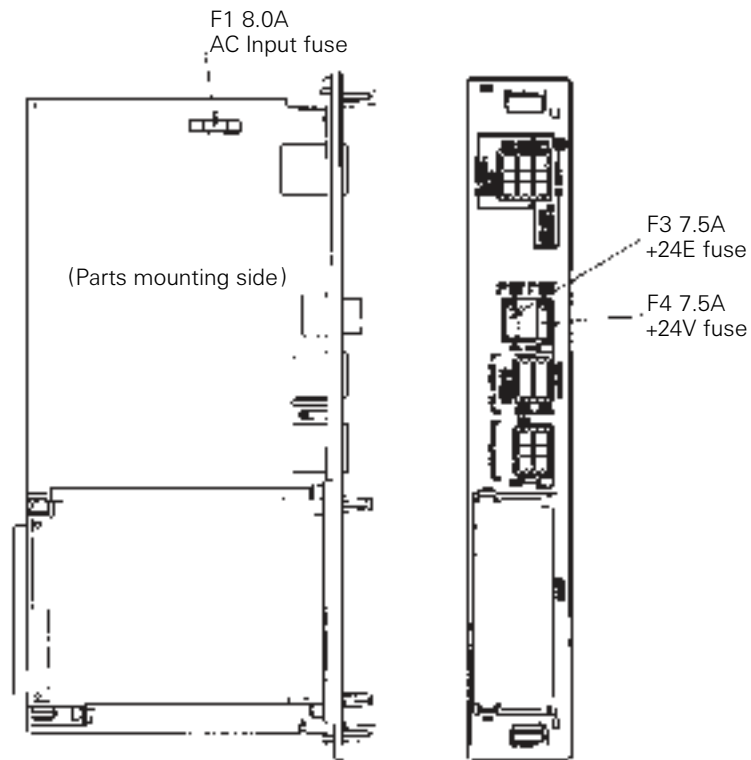
## Batteries



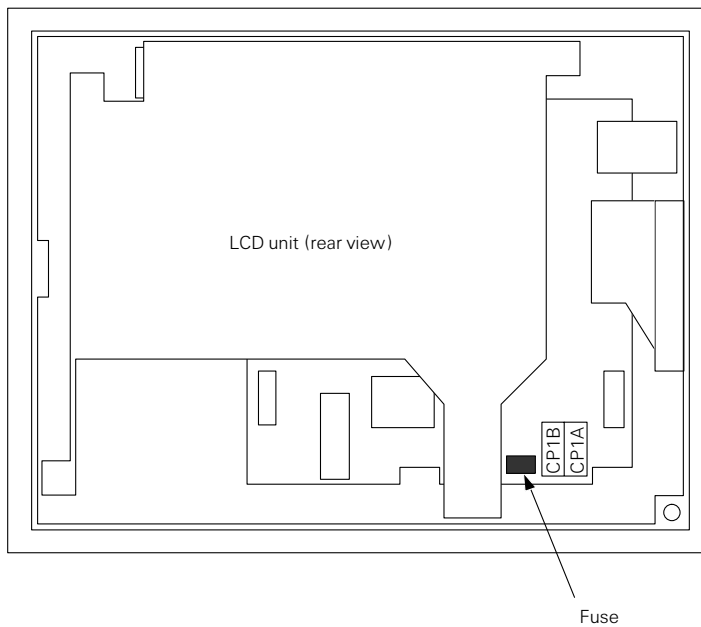
### WARNING

Using other than the recommended battery may result in the battery exploding. Replace the battery only with the specified battery (A02B-0200-K102).

# Fuses



- F1 . . . AC Input: A60L-0001-0396#8.0A
- F2 . . . +24E Output: A60L-0001-0046#7.5
- F4 . . . +24V Output: A60L-0001-0046#7.5

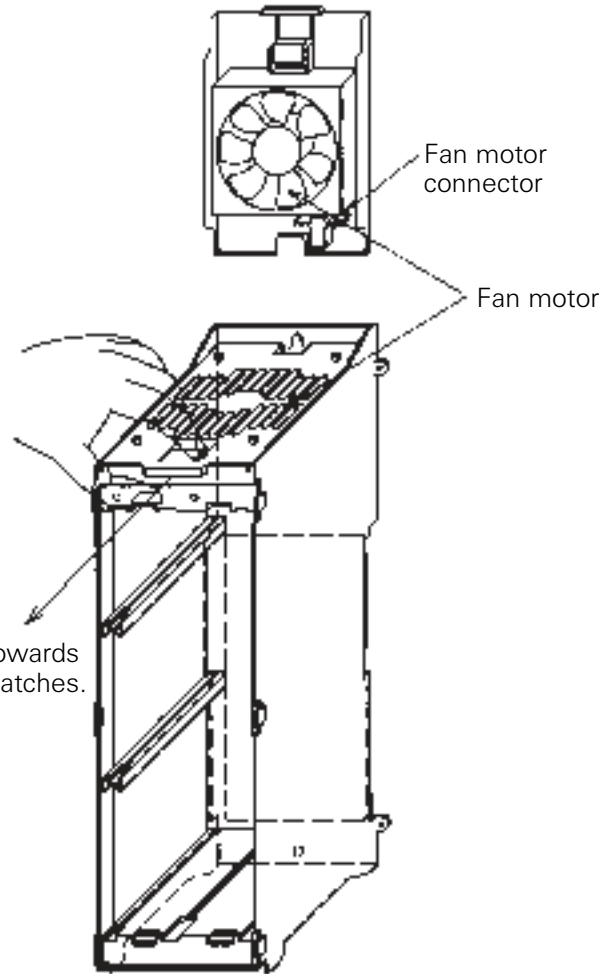


Ordering information : A02B-0295-K101  
 Rating : 2.0 A  
 Individual specification : A60L-0001-0290#LM20C



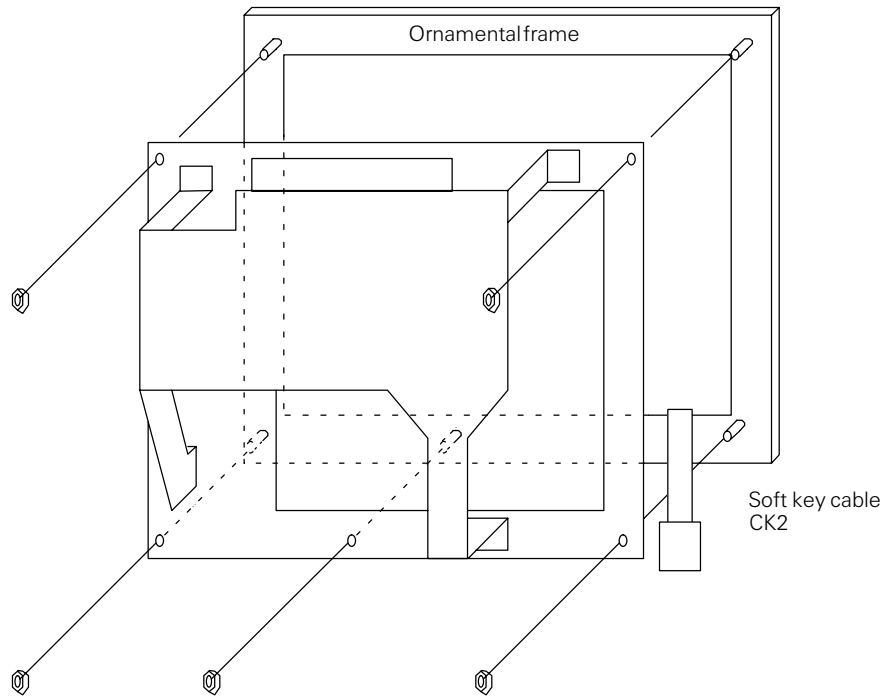
# Fans

Module	Renewal Part No.
Fan unit	A02B-0260-C021



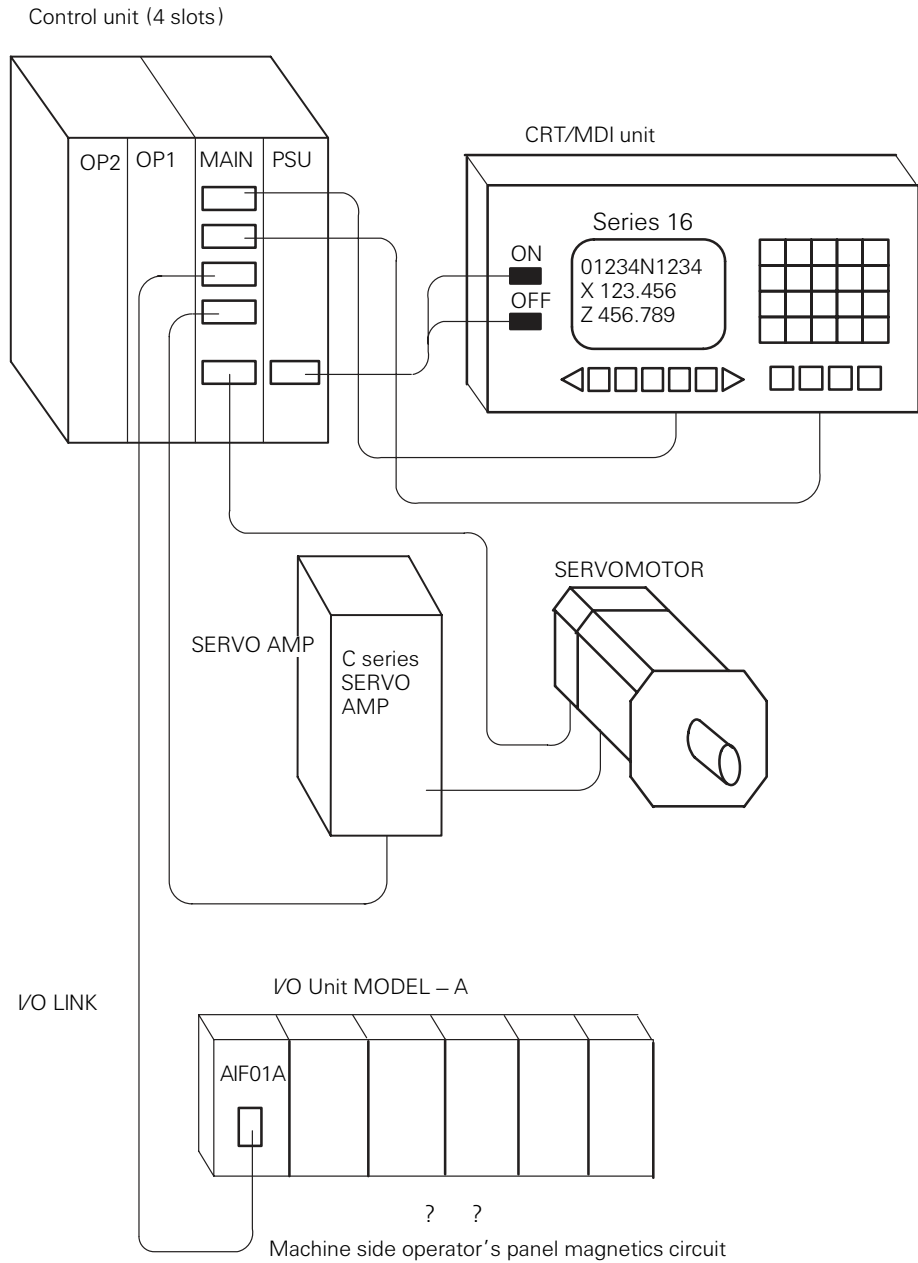
# Backlight

Backlight	System Part No.	Renewal Part No.
Backlight for 9.5-inch LCD	A02B-0236-K114	A61L-0001-0154#BL
Backlight for 10.4-inch LCD	A02B-0236-K116	A61L-0001-0168#BL

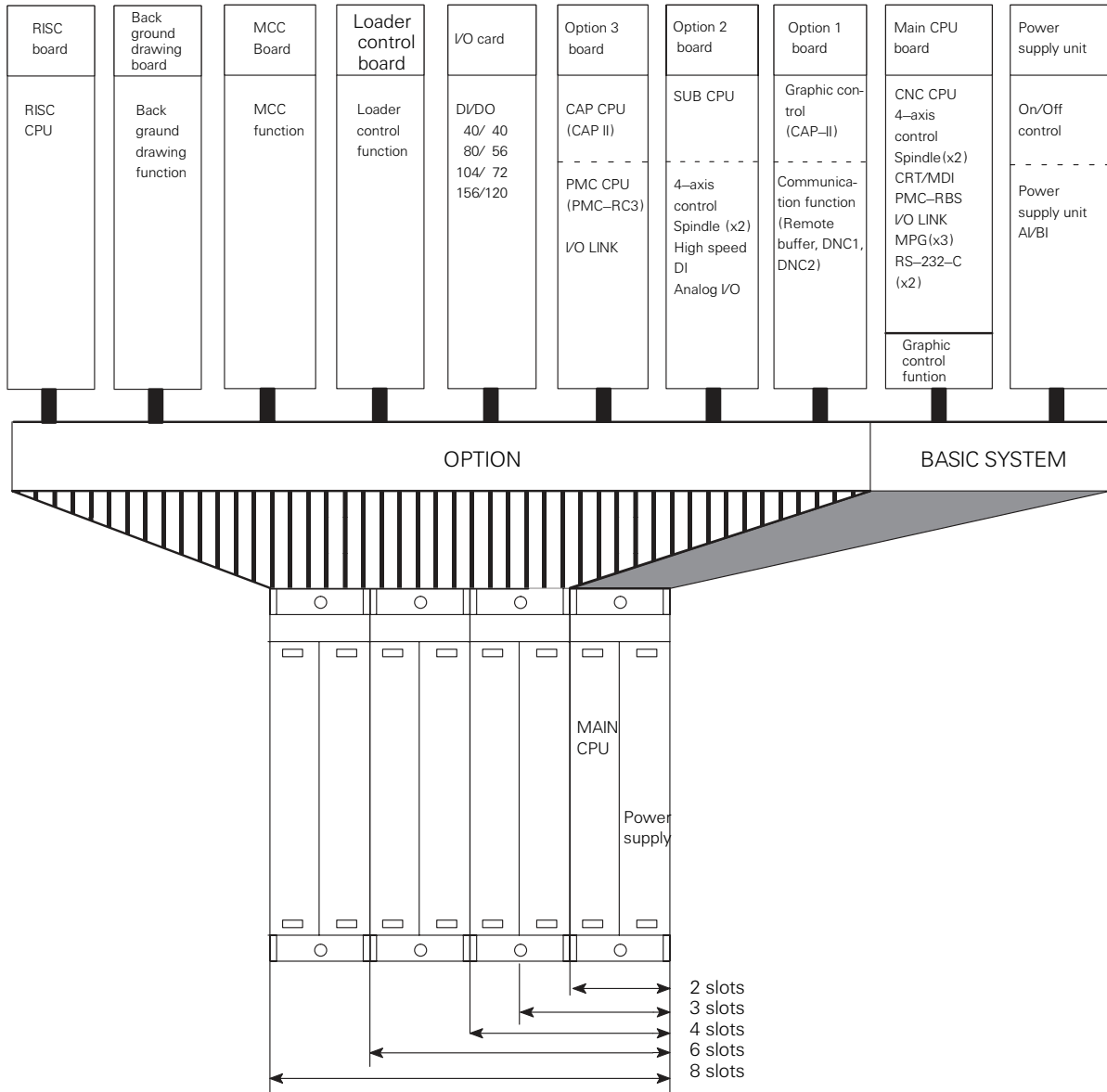


# Series 16/18 Model B Part Numbers

## Hardware Structure



# System Structure



## Control Rack

Module		Renewal Part No.	Remarks
Series16 Control unit rack (Without MMC-IV)	2 Slots	A02B-0200-C001	
		A02B-0200-C021	For power supply C
	3 Slots	A02B-0200-C005	
	4 Slots	A02B-0200-C002	
	6 Slots	A02B-0200-C003	
Series16 Control unit rack (With MMC-IV)	8 Slots	A02B-0200-C004	
	4 Slots	A02B-0200-C010	
	6 Slots	A02B-0200-C011	
Series18 Control unit rack (Without MMC-IV)	8 Slots	A02B-0200-C012	
	2 Slots	A02B-0129-C001	
		A02B-0129-C021	For power supply C
	3 Slots	A02B-0129-C005	
4 Slots	A02B-0129-C002		
Series18 Control unit rack (With MMC-IV)	6 Slots	A02B-0129-C003	
	4 Slots	A02B-0129-C010	
	6 Slots	A02B-0129-C011	

## Power Supplies

Module		Renewal Part No.	Remarks
Power unit	AI	A16B-1212-0900	
		A16B-1212-0901	
	BI	A16B-1212-0870	
		A16B-1212-0871	
	C	A20B-1005-0420	DC24V input

## Control Printed Circuit Boards

Module		Renewal Part No.	Remarks
Main CPU board	Series 16(MAIN-A, 4-axis specification)	A16B-3200-0010	
		A16B-3200-0170	
	Series 16(MAIN-B, 6-axis specification)	A16B-3200-0110	
	Series 18(MAIN-B, 4-axis specification)	A16B-3200-0860	
	Series 18(MAIN-B, 6-axis specification)	A16B-3200-0160	
Option 1 board	Graphic+remote buffer	A16B-2200-0918	Servo waveform cannot be displayed.
	Graphic+DNC1	A16B-2200-0916	
	Remote buffer	A16B-2200-0913	
	DNC1	A16B-2200-0914	
	Graphic	A16B-2200-0919	
Option 2 board	Series 16(MAIN-A, specification, with sub-CPU, 4-Axes)	A16B-2202-0400	
		A16B-2202-0890	
	Series 16(MAIN-A, specification, without sub-CPU, 4 axes)	A16B-2202-0401	
		A16B-2202-0891	
	Series 16(MAIN-B, specification, with sub-CPU, 6 axes)	A16B-2202-0850	
	Series 16(MAIN-B, specification, without sub-CPU)	A16B-2202-0851	
Series 18(MAIN-B, specification, with sub-CPU)	A16B-2202-0853		
Option 3 board	PMC-RC+CAP-II	A16B-3200-0055	
	PMC-RC	A16B-3200-0054	
	CAP-II	A16B-3200-0057	
Loader control board	MAIN-A specification	A16B-2202-0560	
	MAIN-B specification	A16B-2202-0880	
Background drawing board		A16B-2202-0852	

## Control Printed Circuit Boards (cont.)

Name		Drawing No.	Remarks
I/O card (sink output type)	A (DI:40 DO:40)	A16B-2200-0958	
	B (DI:80 DO:56)	A16B-2200-0957	
	C (DI:104 DO:72)	A16B-2200-0956	
	D (DI:104 DO:80)	A16B-2200-0955	
	E (DI:40 DO:40)	A16B-2200-0953	With high-speed skip signal input
	F (DI:80 DO:56)	A16B-2200-0952	
	G (DI:104 DO:72)	A16B-2200-0951	
	H (DI:104 DO:80)	A16B-2200-0950	
	Expansion board	A20B-9001-0480	Used together with D or H
	High-speed skip signal input only	A16B-2200-0954	
	A (DI:40 DO:40)	A16B-2202-0692	Used as power C
	B (DI:80 DO:56)	A16B-2202-0691	
C (DI:104 DO:72)	A16B-2202-0690		
I/O card (source output type)	A (DI:40 DO:40)	A16B-2200-0988	
		A16B-2202-0728	
	B (DI:80 DO:56)	A16B-2200-0987	
		A16B-2202-0727	
	C (DI:104 DO:72)	A16B-2200-0986	
		A16B-2202-0726	
	D (DI:104 DO:80)	A16B-2202-0725	
	E (DI:40 DO:40)	A16B-2200-0983	With high-speed skip signal input
		A16B-2202-0723	
	F (DI:80 DO:56)	A16B-2200-0982	
		A16B-2202-0722	
	G (DI:104 DO:72)	A16B-2200-0981	
		A16B-2202-0721	
	H (DI:104 DO:80)	A16B-2202-0720	
	Expansion board	A20B-8001-0150	Used together with D (0725) or H (0720)
	A (DI:40 DO:40)	A16B-2202-0852	Used as power C
	B (DI:80 DO:56)	A16B-2202-0851	
	C (DI:104 DO:72)	A16B-2202-0850	

Module	Renewal Part No.	Remarks
Graphic function board	A20B-8200-0010	For main CPU board
	A20B-8200-0011	

# FANUC CNC Parts



## Modules

Module		Renewal Part No.	Remarks
PMC control module	For PMC-RE	A20B-2900-0140	
	For loader control (with I/O link interface)	A20B-2900-0142	
	For loader control (without I/O link interface) For PMC-RC3	A20B-2900-0143	
	PMC-RB3/RC3 (with I/O link interface)	A20B-2901-0960	
	PMC-RB3/RC3 (without I/O link interface)	A20B-2901-0961	
High-speed DI, analog I/O module	Analog I/O+high-speed skip DI	A20B-2900-0280	
	High-speed skip DI	A20B-2900-0281	
ROM module	1 MB	A20B-2900-0290	
	768 KB	A20B-2900-0291	
Graphic control module		A20B-2900-0311	
Graphic CPU module (for CAP-II)		A20B-2900-0350	
SRAM module (512 KB)		A20B-2900-0541	
14-bit A/D converter module		A20B-2900-0580	
SRAM module (2 MB)		A20B-2900-0991	
CPU module (for CAP-II)		A20B-2901-0390	
DRAM SRAM module		A20B-2901-0413	
DRAM module	6MB	A20B-2901-0940	
	4MB	A20B-2901-0941	
	2MB	A20B-2901-0942	
Spindle control module	Serial+analog	A20B-2901-0980	For main CPU board
	Serial	A20B-2901-0981	
	Analog	A20B-2901-0982	
	Serial+analog	A20B-2901-0984	For option 2 board
	Serial	A20B-2901-0985	
	Analog	A20B-2901-0986	



## Modules (cont.)

Module		Renewal Part No.	Remarks
Servo control module		A20B-2902-0060	
		A20B-2902-0061	For learning control function
FROM/SRAM module	FROM 4MB+SRAM 512KB	A20B-2902-0080	
	FROM 4MB	A20B-2902-0081	
	FROM 2MB	A20B-2902-0082	
FROM/SRAM module	FROM 8MB+SRAM 2MB	A20B-2902-0090	
	FROM 8MB	A20B-2902-0091	
	FROM 6MB	A20B-2902-0092	
	FROM 8MB+SRAM 512KB	A20B-2902-0093	
	FROM 6MB+SRAM 512KB	A20B-2902-0094	
DRAM module	512KB+2MB	A20B-2902-0191	With management software expansion RAM (512 KB) (For option 3)
	512KB+1MB	A20B-2902-0192	
	512KB+512KB	A20B-2902-0193	
	512KB	A20B-2902-0194	
	2MB	A20B-2902-0196	For option 3
	1MB	A20B-2902-0197	
	512KB	A20B-2902-0198	
PMC control module (for PMC-RB4/RC4)		A20B-2902-0250	
CRT control module	For 14, CRT	A20B-2902-0270	When MMC is not provided
	For 9, CRT	A20B-2902-0271	
	For LCD	A20B-2902-0272	
	For 14, CRT (MMC-III)	A20B-2902-0273	When MMC is provided
	For LCD (MMC-III, MMC-IV)	A20B-2902-0275	
	For 9, CRT	A20B-2902-0276	When MMC is not provided
	For LCD	A20B-2902-0277	
	For 14, CRT	A20B-2902-0278	
FROM/SRAM module	FROM 4MB+SRAM 256KB	A20B-2902-0341	
	FROM 2MB+SRAM 256KB	A20B-2902-0343	
SRAM module	256KB	A20B-2902-0350	
	256KB+512KB	A20B-2902-0351	
	256KB+2MB	A20B-2902-0352	
FROM SRAM module	FROM 8MB+SRAM 256KB	A20B-2902-0410	
	FROM 6MB+SRAM 256KB	A20B-2902-0411	

## CRT / MDI Unit - Without MMC

Module		Renewal Part No.	Remarks
9" CRT/MDI (small size, monochrome)	TB	A02B-0120-C041#TA	
		A02B-0120-C041#TAR	Conforming to safety standards
		A02B-0120-C041#TAS	Conforming to safety standards Symbolic keys
	MB	A02B-0120-C041#MA	
		A02B-0120-C041#MAR	Conforming to safety standards
		A02B-0120-C041#MAS	Conforming to safety standards Symbolic keys
9" CRT/MDI (small size, color)	TB	A02B-0120-C042#TA	
	MB	A02B-0120-C042#MA	
9" CRT/MDI (standard, monochrome)	TB	A02B-0120-C051#TA	
		A02B-0120-C051#TAR	Conforming to safety standards
		A02B-0120-C051#TAS	Conforming to safety standards Symbolic keys
	MB	A02B-0120-C051#MA	
		A02B-0120-C051#MAR	Conforming to safety standards
		A02B-0120-C051#MAS	Conforming to safety standards Symbolic keys
9" CRT/MDI (standard, color)	TB	A02B-0120-C052#TA	
	MB	A02B-0120-C052#MA	
9" PDP/MDI (standard key)	TB	A02B-0120-C081#T A	
		A02B-0200-C101#TBR	Conforming to safety standards +24 V input
		A02B-0200-C101#TBS	Conforming to safety standards +24 V input Symbolic keys
	MB	A02B-0120-C081#MA	
		A02B-0200-C101#MBR	Conforming to safety standards +24 V input
		A02B-0200-C101#MBS	Conforming to safety standards +24 V input Symbolic keys
9" separate-type CRT unit	Monochrome	A02B-0120-C111	
	Color	A02B-0120-C112	

Series 16/18 Model A/B

Module		Renewal Part No.	Remarks
9" separate-type PDP unit	Mono-chrome	A02B-1020-C113	
		A02B-0200-C100	Conforming to safety standards +24 V input
Separate-type MDI unit (small size)	TB	A02B-0120-C121#TA	
		A02B-0120-C121#TAR	Conforming to safety standards
		A02B-0120-C121#TAS	Conforming to safety standards Symbolic keys
	MB	A02B-0120-C121#MA	
		A02B-0120-C121#MAR	Conforming to safety standards
		A02B-0120-C121#MAS	Conforming to safety standards Symbolic keys
Separate-type MDI unit (standard)	TB	A02B-0120-C122#TA	
		A02B-0120-C122#TAR	Conforming to safety standards
		A02B-0120-C122#TAS	Conforming to safety standards Symbolic keys
	MB	A02B-0120-C122#MA	
		A02B-0120-C122#MAR	Conforming to safety standards
		A02B-0120-C122#MAS	Conforming to safety standards Symbolic keys
14" CRT/MDI (color, landscape type)	TB	A02B-0120-C071#TA	
		A02B-0120-C071#TF	For CAP-II
	MB	A02B-0120-C071#MA	
14" CRT/MDI (color, portrait type)	TB	A02B-0120-C072#TA	
		A02B-0120-C072#TF	For CAP-II
	MB	A02B-0120-C072#MA	

FANUC CNC Parts



*CRT / MDI Unit - Without MMC (cont.)*

Module		Renewal Part No.	Remarks
9.5" LCD/MDI (color, landscape type)	TB	A02B-0200-C061#TB	
		A02B-0200-C061#TBR	Conforming to safety standards
		A02B-0200-C061#TBS	Conforming to safety standards Symbolic keys
		A02B-0200-C061#TFB	For CAP-II
		A02B-0200-C061#TFBR	For CAP-II Conforming to safety standards
		A02B-0200-C061#TFBS	For CAP-II Conforming to safety standards Symbolic keys
	MB	A02B-0200-C061#MB	
		A02B-0200-C061#MBR	Conforming to safety standards
		A02B-0200-C061#MBS	Conforming to safety standards Symbolic keys
9.5" LCD/MDI (color, portrait type)	TB	A02B-0200-C062#TB	
		A02B-0200-C062#TBR	Conforming to safety standards
		A02B-0200-C062#TBS	Conforming to safety standards Symbolic keys
		A02B-0200-C062#TFB	For CAP-II
		A02B-0200-C062#TFBR	For CAP-II Conforming to safety standards
		A02B-0200-C062#TFBS	For CAP-II Conforming to safety standards Symbolic keys
	MB	A02B-0200-C062#MB	
		A02B-0200-C062#MBR	Conforming to safety standards
		A02B-0200-C062#MBS	Conforming to safety standards Symbolic keys
8.4" separate-type LCD unit	Color	A02B-0200-C050	
7.2" separate-type LCD unit	Monochrome	A02B-0200-C081	

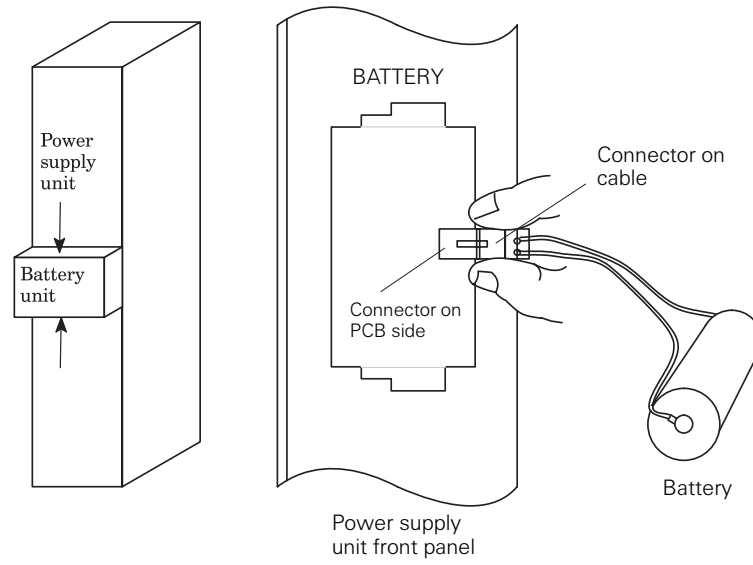
CRT / MDI Unit - With MMC

Module		Renewal Part No.	Remarks
14" CRT/MDI (color, landscape type)	TB	A02B-0200-C071#TB	
		A02B-0200-C071#TBR	Conforming to safety standards
		A02B-0200-C071#TBS	Conforming to safety standards Symbolic keys
		A02B-0200-C071#TFB	For CAP-II
		A02B-0200-C071#TFBR	For CAP-II Conforming to safety standards
		A02B-0200-C071#TFBS	For CAP-II Conforming to safety standards Symbolic keys
	MB	A02B-0200-C071#MB	
		A02B-0200-C071#MBR	Conforming to safety standards
		A02B-0200-C071#MBS	Conforming to safety standards Symbolic keys
14" CRT/MDI (color, portrait type)	TB	A02B-0200-C072#TB	
		A02B-0200-C072#TBR	Conforming to safety standards
		A02B-0200-C072#TBS	Conforming to safety standards Symbolic keys
		A02B-0200-C072#TFB	For CAP-II
		A02B-0200-C072#TFBR	For CAP-II Conforming to safety standards
		A02B-0200-C072#TFBS	For CAP-II Conforming to safety standards Symbolic keys
	MB	A02B-0200-C072#MB	
		A02B-0200-C072#MBR	Conforming to safety standards
		A02B-0200-C072#MBS	Conforming to safety standards Symbolic keys

*CRT / MDI Unit - With MMC (cont.)*

Module		Renewal Part No.	Remarks
9.5" LCD/MDI (color, landscape type)	TB	A02B-0200-C065#TB	
		A02B-0200-C065#TBR	Conforming to safety standards
		A02B-0200-C065#TBS	Conforming to safety standards Symbolic keys
		A02B-0200-C065#TFB	For CAP-II
		A02B-0200-C065#TFBR	For CAP-II Conforming to safety standards
		A02B-0200-C065#TFBS	For CAP-II Conforming to safety standards Symbolic keys
	MB	A02B-0200-C065#MB	
		A02B-0200-C065#MBR	Conforming to safety standards
		A02B-0200-C065#MBS	Conforming to safety standards Symbolic keys
9.5" LCD/MDI (color, portrait type)	TB	A02B-0200-C066#TB	
		A02B-0200-C066#TBR	Conforming to safety standards
		A02B-0200-C066#TBS	Conforming to safety standards Symbolic keys
		A02B-0200-C066#TFB	For CAP-II
		A02B-0200-C066#TFBR	For CAP-II Conforming to safety standards
		A02B-0200-C066#TFBS	For CAP-II Conforming to safety standards Symbolic keys
	MB	A02B-0200-C066#MB	
		A02B-0200-C066#MBR	Conforming to safety standards
		A02B-0200-C066#MBS	Conforming to safety standards Symbolic keys
8.4" separate-type LCD unit	Color	A02B-0200-C051	
Separate-type MDI unit (small size)	TB	A02B-0120-C121#TA	
		A02B-0120-C121#TAR	Conforming to safety standards
	MB	A02B-0120-C121#MA	
		A02B-0120-C121#MAR	
Separate-type MDI unit (standard)	TB	A02B-0120-C122#TA	
		A02B-0120-C122#TAR	
	MB	A02B-0120-C122#MA	
		A02B-0120-C122#MAR	

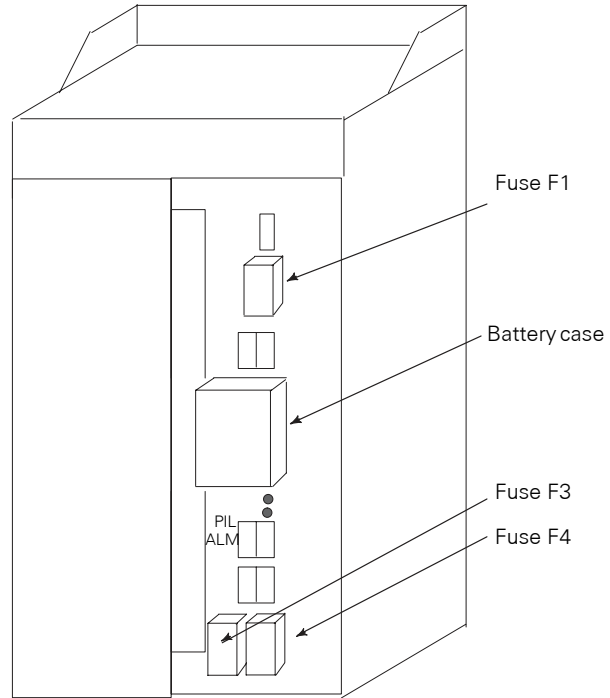
# Batteries



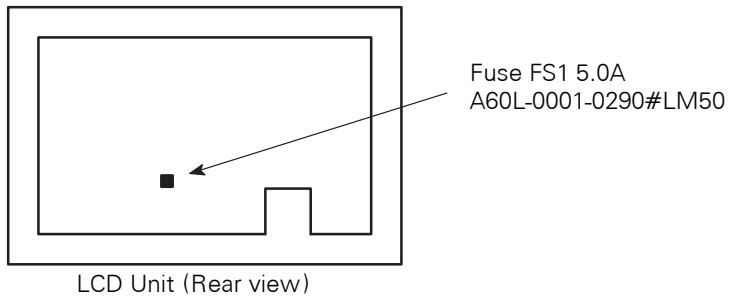
Renewal Part No. A98L-0031-0012

# Fuses

Symbol	Uses
F1	For inputting 200VAC
F3	For power supply of 9" monochrome CRT or LCD
F4	For I/O unit, etc.

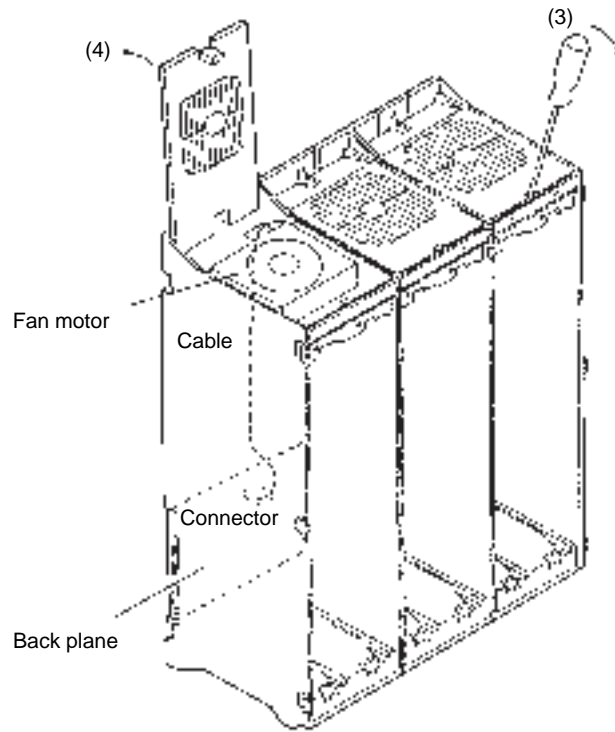


Power supply	System Part No.	Symbol	Capacity	Renewal Part No.
AI	A02B-0200-K100	F1	7.5A	A60L-0001-0245#GP75
		F3	3.2A	A60L-0001-0075#3.2
		F4	5AS	A60L-0001-0046#5.0
BI	A02B-0200-K101	F1	7.5A	A60L-0001-0245#GP75
		F3	5A	A60L-0001-0075#5.0
		F4	5AS	A60L-0001-0046#5.0





# Fans



RENEWAL PARTS

2-94

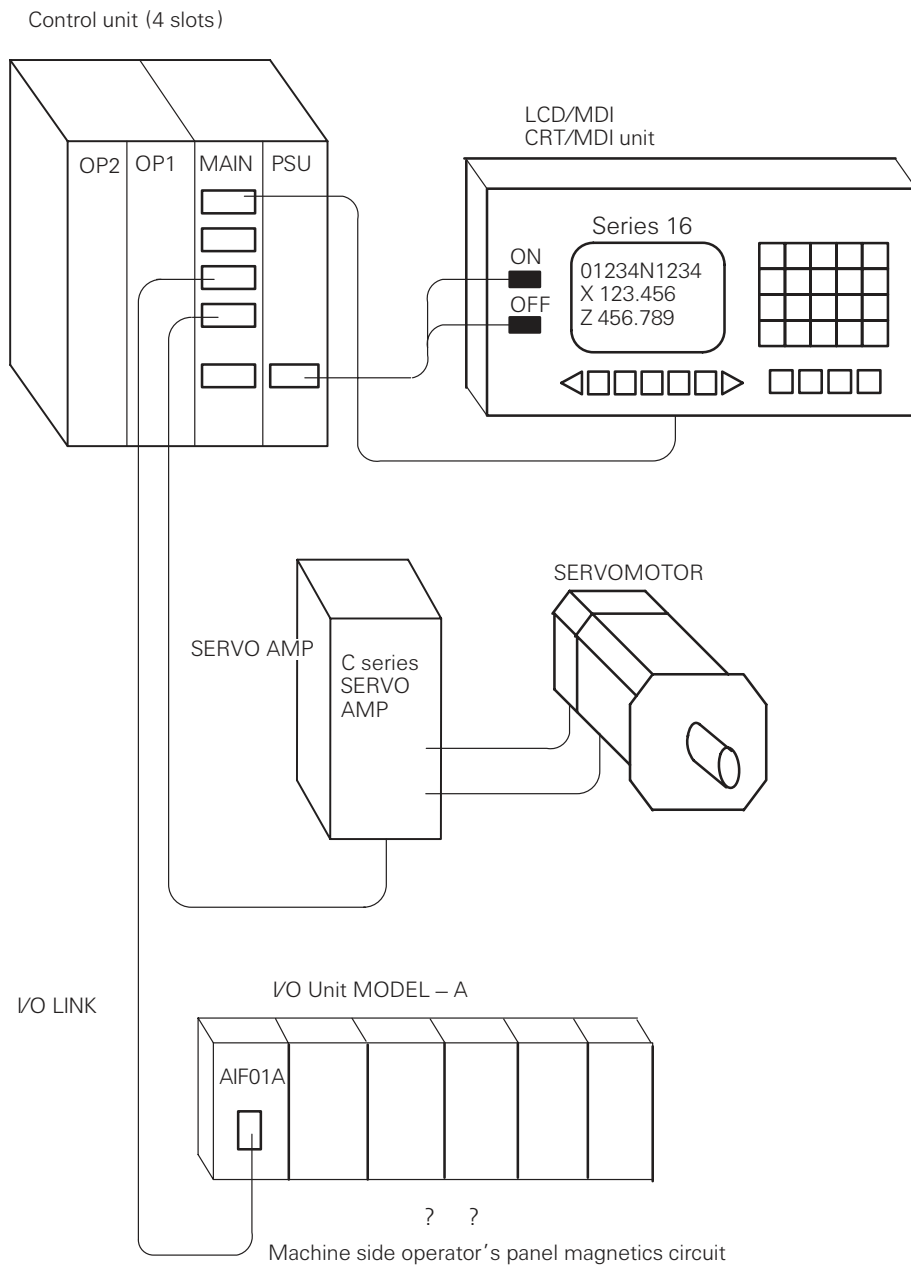
Module	Renewal Part No.
For 2-slot rack	A90L-0001-0378
For 1-slot rack	A90L-0001-0385#A

# FANUC CNC Parts

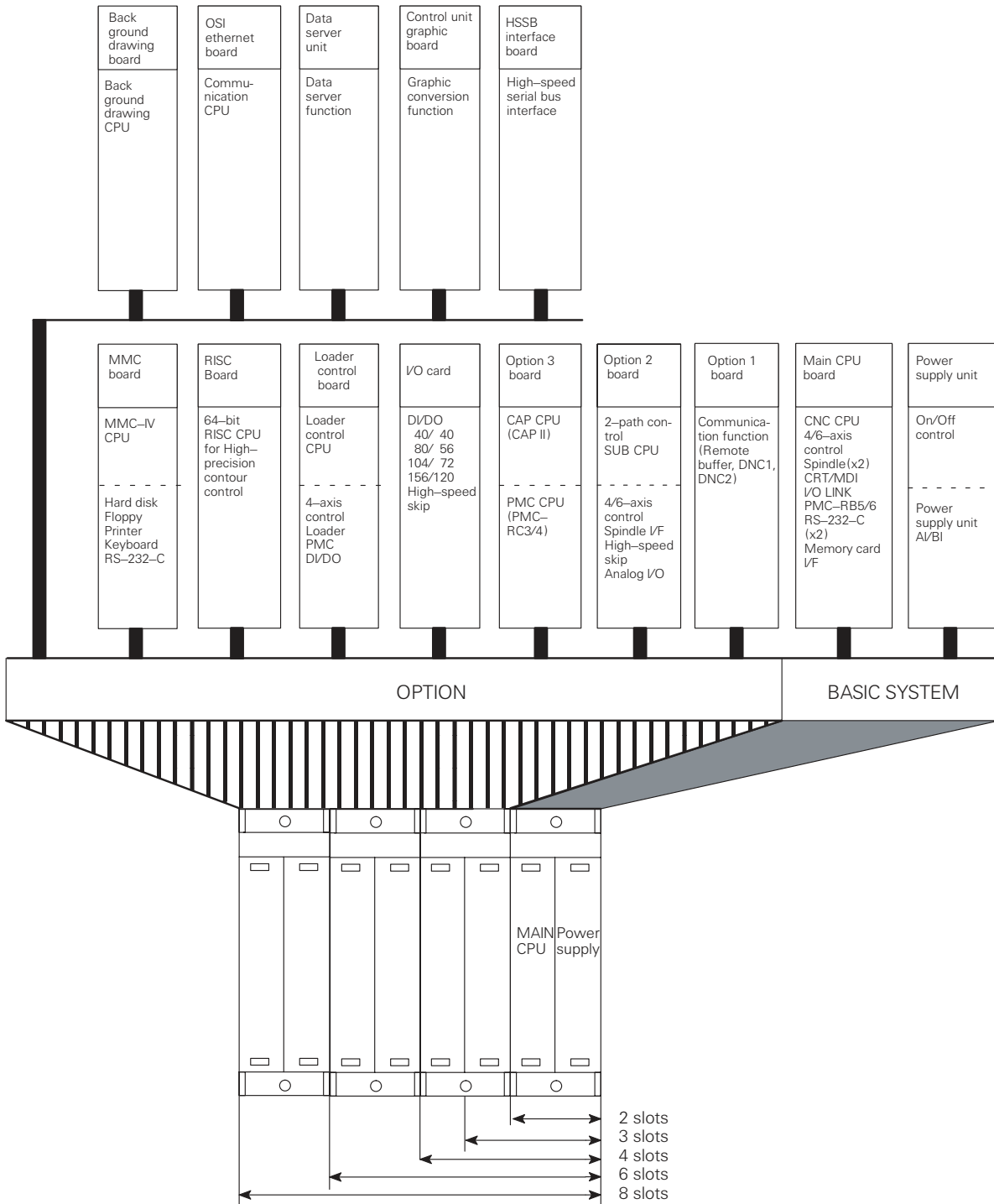


# Series 16/18 Model C

## Hardware Structure



# Series 16 System Structure



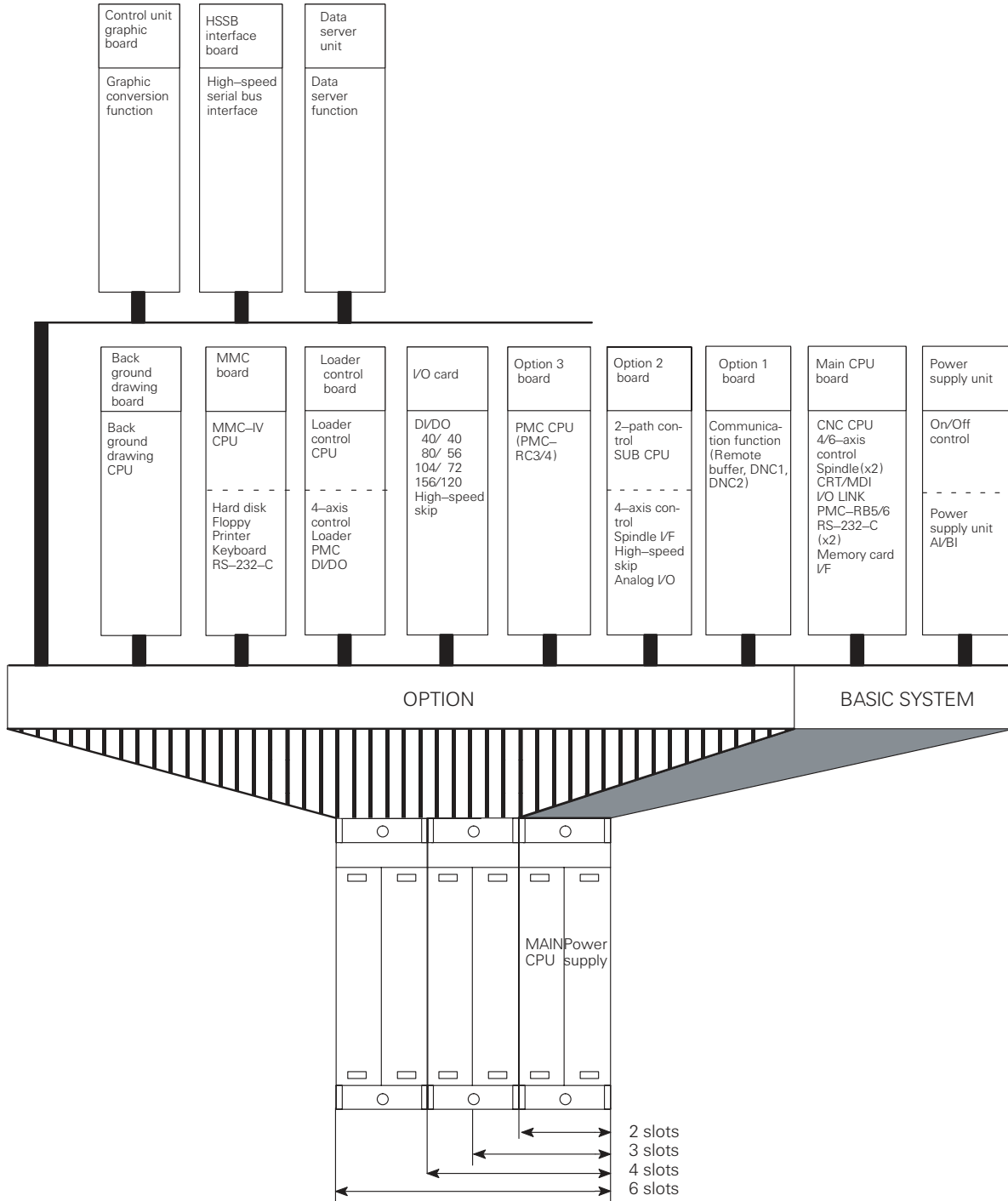
RENEWAL PARTS

2-96

# FANUC CNC Parts



# Series 18 System Structure



RENEWAL PARTS

2-97

## Control Rack

Module		Renewal Part No.	Remarks
Series16 Control unit rack (Without MMC-IV)	2 Slots	A02B-0200-C001	
		A02B-0200-C021	For power supply C
	3 Slots	A02B-0200-C005	
	4 Slots	A02B-0200-C002	
	6 Slots	A02B-0200-C003	
Series16 Control unit rack (With MMC-IV)	4 Slots	A02B-0200-C010	
	6 Slots	A02B-0200-C011	
	8 Slots	A02B-0200-C012	
Series18 Control unit rack (Without MMC-IV)	2 Slots	A02B-0129-C001	
		A02B-0129-C021	For power supply C
	3 Slots	A02B-0129-C005	
	4 Slots	A02B-0129-C002	
Series18 Control unit rack (With MMC-IV)	4 Slots	A02B-0129-C010	
	6 Slots	A02B-0129-C011	

## Power Supply

Module		Renewal Part No.	Remarks
Power unit	AI	A16B-1212-0901	
	BI	A16B-1212-0871	
	C	A20B-1005-0420	24VDC input

FANUC CNC Parts



## Printed Circuit Boards

Module		Renewal Part No.	Remarks
Main CPU board	Series 16	A16B-3200-0190	
	Series 18	A16B-3200-0210	
Option 1 board	Remote buffer	A16B-2200-0913	
	DNC1	A16B-2200-0914	
Option 2 board	Series 16 (Specification, with sub-CPU, 6 axes)	A16B-2203-0030	
	Series 16 (Specification, without sub-CPU, 4 axes)	A16B-2203-0031	
	Series 18 (Specification, with sub-CPU, 4 axes)	A16B-2203-0033	
Option 3 board	PMC-RC+CAP-II	A16B-3200-0055	
	PMC-RC	A16B-3200-0054	
	CAP-II	A16B-3200-0057	
Loader control board		A16B-2203-0080	
Background drawing board		A16B-2203-0032	
I/O card (sink output type)	A (DI:40 DO:40)	A16B-2200-0958	
	B (DI:80 DO:56)	A16B-2200-0957	
	C (DI:104 DO:72)	A16B-2200-0956	
	D (DI:104 DO:80)	A16B-2200-0955	
	E (DI:40 DO:40)	A16B-2200-0953	With high-speed skip signal input
	F (DI:80 DO:56)	A16B-2200-0952	
	G (DI:104 DO:72)	A16B-2200-0951	
	H (DI:104 DO:80)	A16B-2200-0950	
	Expansion board	A20B-9001-0480	Used together with D or H
	High-speed skip signal input only	A16B-2200-0954	
	A (DI:40 DO:40)	A16B-2202-0692	Used as power C
	B (DI:80 DO:56)	A16B-2202-0691	
	C (DI:104 DO:72)	A16B-2202-0690	

Printed Circuit Boards (cont.)

Module		Renewal Part No.	Remarks	
I/O card (source output type)	A (DI:40 DO:40)	A16B-2200-0988		
		A16B-2202-0728		
	B (DI:80 DO:56)	A16B-2200-0987		
		A16B-2202-0727		
	C (DI:104 DO:72)	A16B-2200-0986		
		A16B-2202-0726		
	D (DI:104 DO:80)	A16B-2202-0725		
	E (DI:40 DO:40)	A16B-2200-0983		With high-speed skip signal input
		A16B-2202-0723		
	F (DI:80 DO:56)	A16B-2200-0982		
		A16B-2202-0722		
	G (DI:104 DO:72)	A16B-2200-0981		
		A16B-2202-0721		
	H (DI:104 DO:80)	A16B-2202-0720		
Expansion board	A20B-8001-0150	Used together with D (0725) or H (0720)		
A (DI:40 DO:40)	A16B-2202-0872	Used as power C		
B (DI:80 DO:56)	A16B-2202-0871			
C (DI:104 DO:72)	A16B-2202-0870			
HSSB interface board		A20B-2002-0210	For power C	
		A20B-8001-0290	For power AI or BI	
Control unit graphic board		A16B-2202-0810		
		A20B-8001-0480		
64-bit RISC board		A16B-3200-0150		

RENEWAL PARTS

2-100

FANUC CNC Parts



*Printed Circuit Boards (cont.)*

Module		Renewal Part No.	Remarks
PMC control module	For PMC-RE	A20B-2900-0140	
	For loader control (with I/O link interface)	A20B-2900-0142	
	For loader control (without I/O link interface) For PMC-RC3	A20B-2900-0143	
	PMC-RB3/RC3 (with I/O link interface)	A20B-2901-0960	
	PMC-RB3/RC3 (without I/O link interface)	A20B-2901-0961	
	PMC-RB5/RB6 (with I/O Link interface)	A20B-2902-0480	
	PMC-RB5/RB6 (without I/O Link interface)	A20B-2902-0481	
High-speed DI, analog I/O module	Analog I/O+high-speed skip DI	A20B-2900-0280	
	High-speed skip DI	A20B-2900-0281	
ROM module	1 MB	A20B-2900-0290	
	768 KB	A20B-2900-0291	
14-bit A/D converter module		A20B-2900-0580	
DRAM/SRAM module		A20B-2901-0413	
DRAM module	4MB	A20B-2901-0941	
	2MB	A20B-2901-0942	
	8MB	A20B-2902-0461	
Spindle control module	Serial+analog	A20B-2901-0980	For main CPU board
	Serial	A20B-2901-0981	
	Analog	A20B-2901-0982	
	Serial+analog	A20B-2901-0984	For option 2 board
	Serial	A20B-2901-0985	
	Analog	A20B-2901-0986	



Printed Circuit Boards (cont.)

Module		Renewal Part No.	Remarks
Servo control module		A20B-2902-0070	
		A20B-2902-0061	For learning control function
FROM module	FROM 4MB	A20B-2902-0081	
	FROM 2MB	A20B-2902-0082	
	FROM 6MB	A20B-2902-0092	
DRAM module	512KB+2MB	A20B-2902-0191	With management software expansion RAM (512 KB) (For option 3)
	512KB+1MB	A20B-2902-0192	
	512KB+512KB	A20B-2902-0193	
	512KB	A20B-2902-0194	
	2MB	A20B-2902-0196	For option 3
	1MB	A20B-2902-0197	
	512KB	A20B-2902-0198	
CRT control module	For 9, CRT	A20B-2902-0271	When MMC is not provided
	For LCD (MMC-III, MMC-IV)	A20B-2902-0275	When MMC is provided
	For 9, CRT	A20B-2902-0276	When MMC is not provided
FROM/SRAM module	FROM 4MB+SRAM 256KB	A20B-2902-0341	
	FROM 2MB+SRAM 256KB	A20B-2902-0343	
	FROM 6MB+SRAM 256KB	A20B-2902-0411	
	FROM 8MB+SRAM 256KB	A20B-2902-0501	
	FROM 12MB+SRAM 256KB	A20B-2902-0500	
SRAM module	256KB	A20B-2902-0350	
	256KB+512KB	A20B-2902-0351	
	256KB+2MB	A20B-2902-0352	
High-speed serial bus control module		A20B-2902-0490	

## CRT / MDI Units - Without MMC

Module		Renewal Part No.	Remarks
9" CRT/MDI (small size, monochrome)	TC	A02B-0120-C041#TA	
		A02B-0120-C041#TAR	Conforming to safety standards
		A02B-0120-C041#TAS	Conforming to safety standards Symbolic keys
	MC	A02B-0120-C041#MA	
		A02B-0120-C041#MAR	Conforming to safety standards
		A02B-0120-C041#MAS	Conforming to safety standards Symbolic keys
9" CRT/MDI (standard, monochrome)	TC	A02B-0120-C051#TA	
		A02B-0120-C051#TAR	Conforming to safety standards
		A02B-0120-C051#TAS	Conforming to safety standards Symbolic keys
	MC	A02B-0120-C051#MA	
		A02B-0120-C051#MAR	Conforming to safety standards
		A02B-0120-C051#MAS	Conforming to safety standards Symbolic keys
9" PDP/MDI (standard key)	TC	A02B-0120-C081#TA	
		A02B-0200-C101#TBR	Conforming to safety standards +24 V input
		A02B-0200-C101#TBS	Conforming to safety standards +24 V input Symbolic keys
	MC	A02B-0120-C081#MA	
		A02B-0200-C101#MBR	Conforming to safety standards +24 V input
		A02B-0200-C101#MBS	Conforming to safety standards +24 V input Symbolic keys
9" separate-type CR T unit	Monochrome	A02B-0120-C111	
9" separate-type PDP unit	Monochrome	A02B-1020-C113	
		A02B-0200-C100	Conforming to safety standards +24 V input

*CRT / MDI Units - Without MMC (cont.)*

Module		Renewal Part No.	Remarks
Separate-type MDI unit (small size)	TC	A02B-0120-C121#TA	
		A02B-0120-C121#TAR	Conforming to safety standards
		A02B-0120-C121#TAS	Conforming to safety standards Symbolic keys
	MC	A02B-0120-C121#MA	
		A02B-0120-C121#MAR	Conforming to safety standards
		A02B-0120-C121#MAS	Conforming to safety standards Symbolic keys
Separate-type MDI unit (standard)	TC	A02B-0120-C122#TA	
		A02B-0120-C122#TAR	Conforming to safety standards
		A02B-0120-C122#TAS	Conforming to safety standards Symbolic keys
	MC	A02B-0120-C122#MA	
		A02B-0120-C122#MAR	Conforming to safety standards
		A02B-0120-C122#MAS	Conforming to safety standards Symbolic keys
14" CRT/MDI (color, landscape type)	TC	A02B-0222-C071#TB	
		A02B-0222-C071#TBR	Conforming to safety standards
		A02B-0222-C071#TBS	Conforming to safety standards Symbolic keys
		A02B-0222-C071#TFB	
		A02B-0222-C071#TFBR	Conforming to safety standards
		A02B-0222-C071#TFBS	Conforming to safety standards Symbolic keys
	MC	A02B-0222-C071#MB	
		A02B-0222-C071#MBR	Conforming to safety standards
		A02B-0222-C071#MBS	Conforming to safety standards Symbolic keys
	WC	A02B-0222-C071#WBS	Conforming to safety standards Symbolic keys

*CRT / MDI Units - Without MMC (cont.)*

Module		Renewal Part No.	Remarks
14" CRT/MDI (color, portrait type)	TC	A02B-0222-C072#TB	
		A02B-0222-C072#TBR	Conforming to safety standards
		A02B-0222-C072#TBS	Conforming to safety standards Symbolic keys
		A02B-0222-C072#TFB	
		A02B-0222-C072#TFBR	Conforming to safety standards
		A02B-0222-C072#TFBS	Conforming to safety standards Symbolic keys
	MC	A02B-0222-C072#MB	
		A02B-0222-C072#MBR	Conforming to safety standards
		A02B-0222-C072#MBS	Conforming to safety standards Symbolic keys
8.4" LCD/MDI (color, small size)	TC	A02B-0222-C131#TAR	Conforming to safety standards
		A02B-0222-C131#TAS	Conforming to safety standards Symbolic keys
	MC	A02B-0222-C131#MAR	Conforming to safety standards
		A02B-0222-C131#MAS	Conforming to safety standards Symbolic keys
8.4" LCD/MDI (color, standard key)	TC	A02B-0222-C135#TAR	Conforming to safety standards
		A02B-0222-C135#TAS	Conforming to safety standards Symbolic keys
	MC	A02B-0222-C135#MAR	Conforming to safety standards
		A02B-0222-C135#MAS	Conforming to safety standards Symbolic keys
8.4" separate type LCD unit	Color	A02B-0222-C050	
		A02B-0222-C052	
		A02B-0222-C053	
7.2" separate type LCD unit	Color	A02B-0222-C081	
		A02B-0222-C082	
		A02B-0222-C084	
9.5" separate type LCD unit	Color	A02B-0222-C112	
	mono-chrome	A02B-0222-C110	

*CRT / MDI Units - Without MMC (cont.)*

Module		Renewal Part No.	Remarks
Separate type MDI unit (For 9.5" LCD, standard key, landscape type)	TC	A02B-0200-C125#TAR	Conforming to safety standards
		A02B-0222-C125#TAS	Conforming to safety standards Symbolic keys
	MC	A02B-0200-C125#MAR	Conforming to safety standards
		A02B-0200-C125#MAS	Conforming to safety standards Symbolic keys
Separate type MDI unit (For 9.5" LCD, standard key, portrait type)	TC	A02B-0200-C126#TAR	Conforming to safety standards
		A02B-0200-C126#TAS	Conforming to safety standards Symbolic keys
	MC	A02B-0200-C126#MAR	Conforming to safety standards
		A02B-0200-C126#MAS	Conforming to safety standards Symbolic keys
9.5" LCD/MDI (color, landscape type)	TC	A02B-0222-C061#TB	
		A02B-0222-C061#TBR	Conforming to safety standards
		A02B-0222-C061#TBS	Conforming to safety standards Symbolic keys
		A02B-0222-C061#TFB	For CAP-II
		A02B-0222-C061#TFBR	For CAP-II Conforming to safety standards
		A02B-0222-C061#TFBS	For CAP-II Conforming to safety standards Symbolic keys
	MC	A02B-0222-C061#MB	
		A02B-0222-C061#MBR	Conforming to safety standards
		A02B-0222-C061#MBS	Conforming to safety standards Symbolic keys

*CRT / MDI Units - Without MMC (cont.)*

Module		Renewal Part No.	Remarks
9.5" LCD/MDI (color, portrait type)	TC	A02B-0222-C062#TB	
		A02B-0222-C062#TBR	Conforming to safety standards
		A02B-0222-C062#TBS	Conforming to safety standards Symbolic keys
		A02B-0222-C062#TFB	For CAP-II
		A02B-0222-C062#TFBR	For CAP-II Conforming to safety standards
		A02B-0222-C062#TFBS	For CAP-II Conforming to safety standards Symbolic keys
	MC	A02B-0222-C062#MB	
		A02B-0222-C062#MBR	Conforming to safety standards
		A02B-0222-C062#MBS	Conforming to safety standards Symbolic keys

CRT / MDI Units - With MMC

Module		Renewal Part No.	Remarks
14" CRT/MDI (color, landscape type)	TC	A02B-0200-C071#TB	
		A02B-0200-C071#TBR	Conforming to safety standards
		A02B-0200-C071#TBS	Conforming to safety standards Symbolic keys
		A02B-0200-C071#TFB	For CAP-II
		A02B-0200-C071#TFBR	For CAP-II Conforming to safety standards
		A02B-0200-C071#TFBS	For CAP-II Conforming to safety standards Symbolic keys
	MC	A02B-0200-C071#MB	
		A02B-0200-C071#MBR	Conforming to safety standards
		A02B-0200-C071#MBS	Conforming to safety standards Symbolic keys
14" CRT/MDI (color, portrait type)	TC	A02B-0200-C072#TB	
		A02B-0200-C072#TBR	Conforming to safety standards
		A02B-0200-C072#TBS	Conforming to safety standards Symbolic keys
		A02B-0200-C072#TFB	For CAP-II
		A02B-0200-C072#TFBR	For CAP-II Conforming to safety standards
		A02B-0200-C072#TFBS	For CAP-II Conforming to safety standards Symbolic keys
	MC	A02B-0200-C072#MB	
		A02B-0200-C072#MBR	Conforming to safety standards
		A02B-0200-C072#MBS	Conforming to safety standards Symbolic keys

*CRT / MDI Units - With MMC (cont.)*

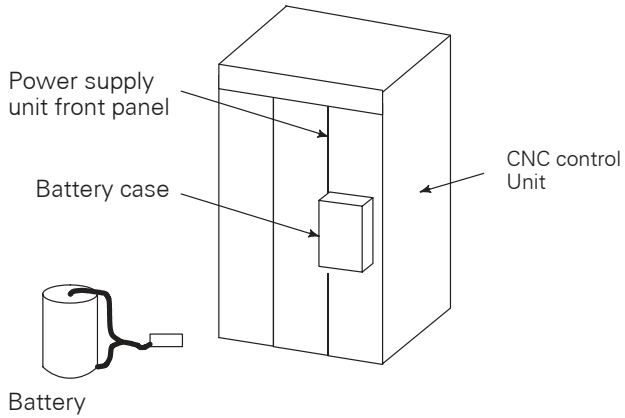
Module		Renewal Part No.	Remarks
9.5" LCD/MDI (color, landscape type)	TC	A02B-0200-C065#TB	
		A02B-0200-C065#TBR	Conforming to safety standards
		A02B-0200-C065#TBS	Conforming to safety standards Symbolic keys
		A02B-0200-C065#TFB	For CAP-II
		A02B-0200-C065#TFBR	For CAP-II Conforming to safety standards
		A02B-0200-C065#TFBS	For CAP-II Conforming to safety standards Symbolic keys
	MC	A02B-0200-C065#MB	
		A02B-0200-C065#MBR	Conforming to safety standards
		A02B-0200-C065#MBS	Conforming to safety standards Symbolic keys
9.5" LCD/MDI (color, portrait type)	TC	A02B-0200-C066#TB	
		A02B-0200-C066#TBR	Conforming to safety standards
		A02B-0200-C066#TBS	Conforming to safety standards Symbolic keys
		A02B-0200-C066#TFB	For CAP-II
		A02B-0200-C066#TFBR	For CAP-II Conforming to safety standards
		A02B-0200-C066#TFBS	For CAP-II Conforming to safety standards Symbolic keys
	MC	A02B-0200-C066#MB	
		A02B-0200-C066#MBR	Conforming to safety standards
		A02B-0200-C066#MBS	Conforming to safety standards Symbolic keys



*CRT / MDI Units - With MMC (cont.)*

Module		Renewal Part No.	Remarks
8.4" separate-type LCD unit	Color	A02B-0200-C051	
Separate-type MDI unit (small size)	TC	A02B-0120-C121#TA	
		A02B-0120-C121#TAR	Conforming to safety standards
	MC	A02B-0120-C121#MA	
		A02B-0120-C121#MAR	
Separate-type MDI unit (standard)	TC	A02B-0120-C122#TA	
		A02B-0120-C122#TAR	
	MC	A02B-0120-C122#MA	
		A02B-0120-C122#MAR	
9.5" separate-type LCD unit	Color	A02B-0200-C1 13	
Separate-type MDI unit (For 9.5" LCD, standard key, landscape type)	TC	A02B-0200-C125#TAR	Conforming to safety standards
		A02B-0200-C125#TAS	Conforming to safety standards symbolic keys
	MC	A02B-0200-C125#MAR	Conforming to safety standards
		A02B-0200-C125#MAS	Conforming to safety standards symbolic keys
Separate-type MDI unit (For 9.5" LCD, standard key, portrait type)	TC	A02B-0200-C126#TAR	Conforming to safety standards
		A02B-0200-C126#TAS	Conforming to safety standards symbolic keys
	MC	A02B-0200-C126#MAR	Conforming to safety standards
		A02B-0200-C126#MAS	Conforming to safety standards symbolic keys

## Batteries



A98L-0031-0012 (for power AI, BI)  
 A98L-0031-0006 (for power C)

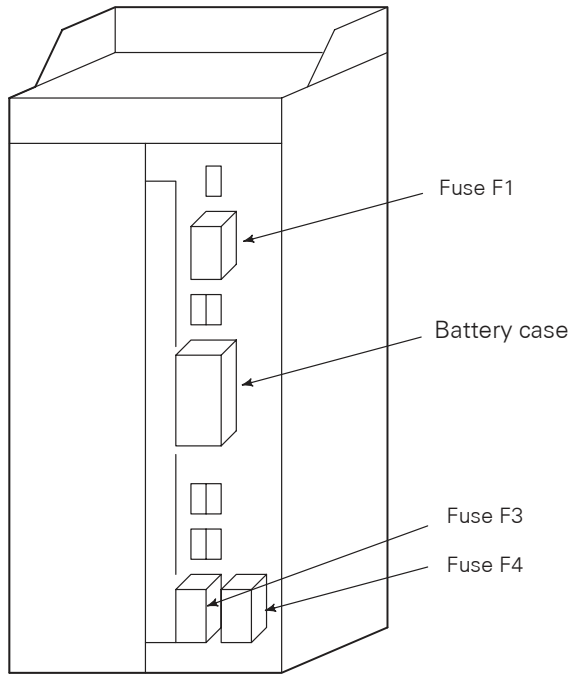
**CAUTION**  
 When replacing the memory backup batteries keep the power to the machine (CNC) turned on, and apply an emergency stop to the machine.  
 When the contents of memory are lost, turning on the power to the CNC may cause a RAM PARITY system alarm to occur. In this case, the CNC cannot be used.

## Fans

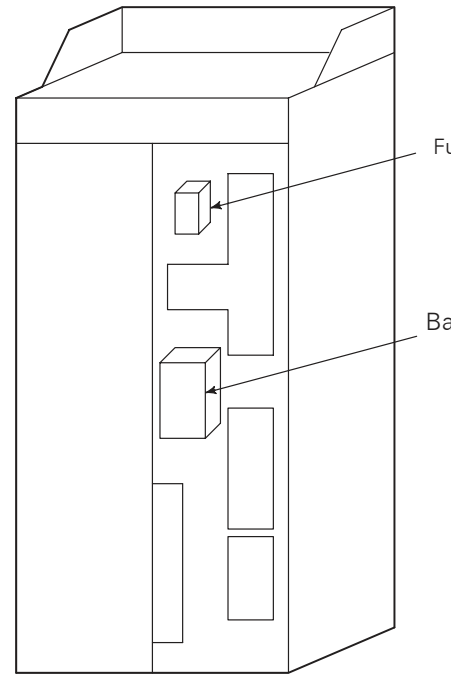
	Renewal Part No.	Number of units required
For 2-slot rack	A90L-0001-0378	For 1-slot rack
For 1-slot rack	A90L-0001-0385#A	For 1-slot rack

# Fuses

Symbol	Uses
F1	For inputting 200VAC
F3	For power supply of ? monochrome CRT or LCD
F4	For I/O unit, etc.



Mounting positions of fuses in the power supply unit AI or BI

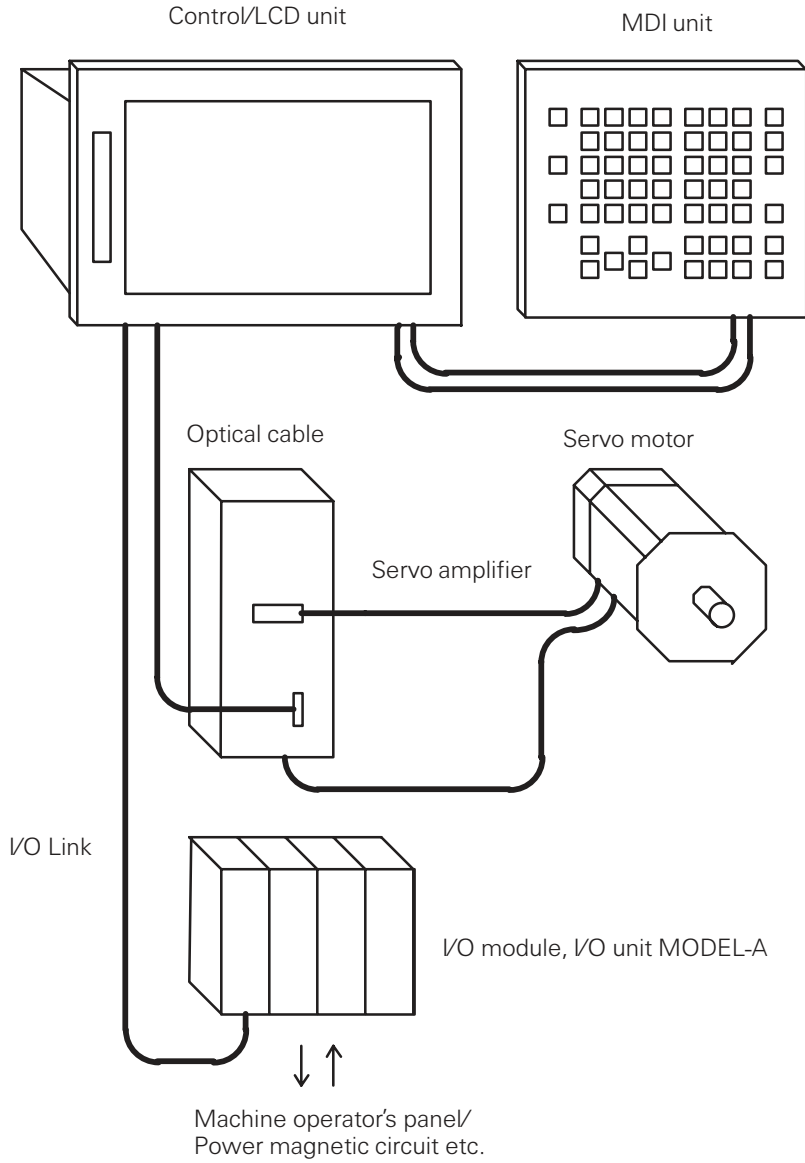


Mounting positions of fuses in the power supply unit C

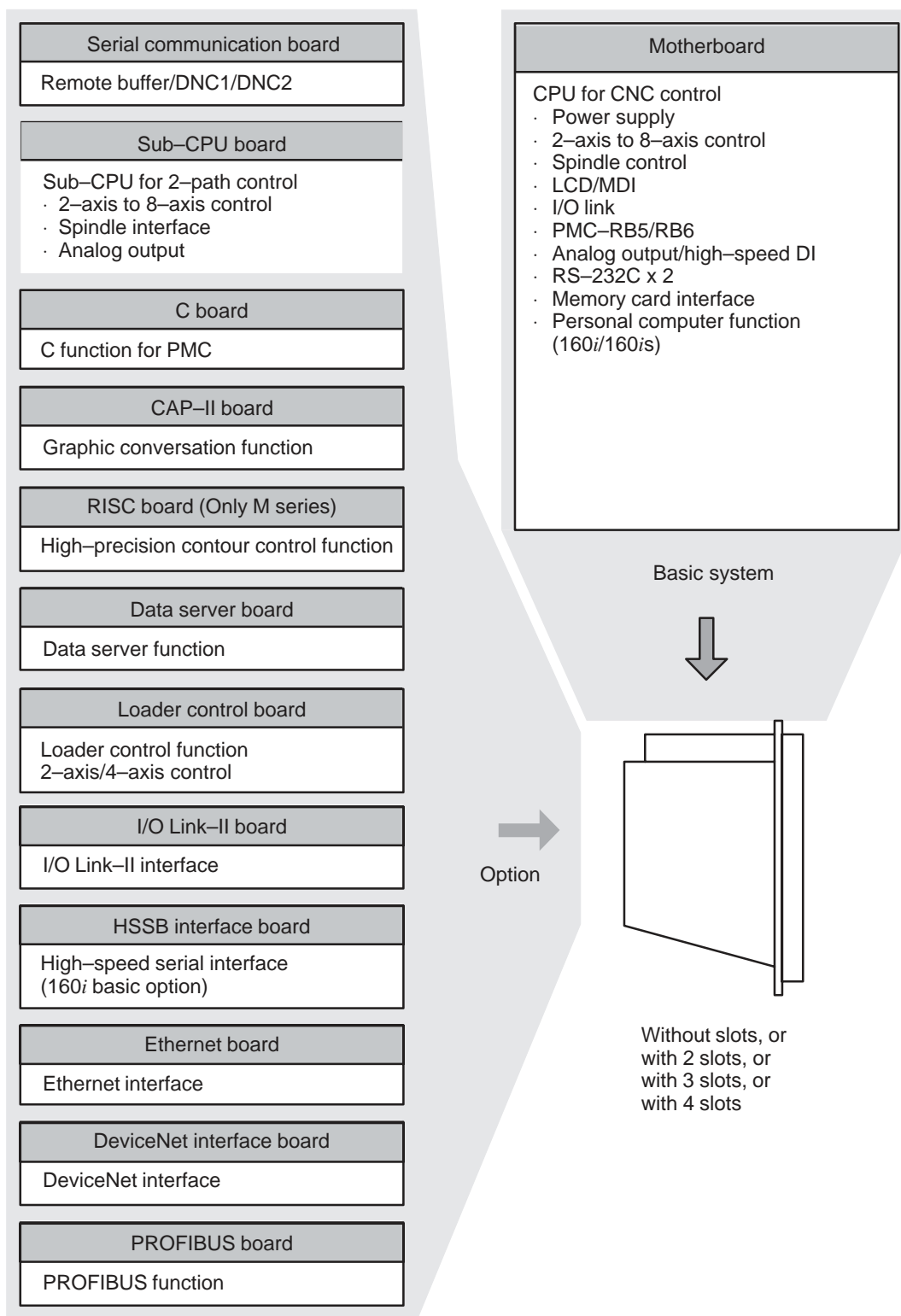
Power supply	System Part No.	Symbol	Capacity	Renewal Part No.
AI	A02B-0200-K100	F1	7.5A	A60L-0001-0245#GP75
		F3	3.2A	A60L-0001-0075#3.2
		F4	5AS	A60L-0001-0046#5.0
BI	A02B-0200-K101	F1	7.5A	A60L-0001-0245#GP75
		F3	5A	A60L-0001-0075#5.0
		F4	5AS	A60L-0001-0046#5.0
C	A02B-0200-K105	?	7.5A	A60L-0001-0046#7.5R

# Series 16i/18i/21i LCD Model A Part Numbers

## Hardware Structure

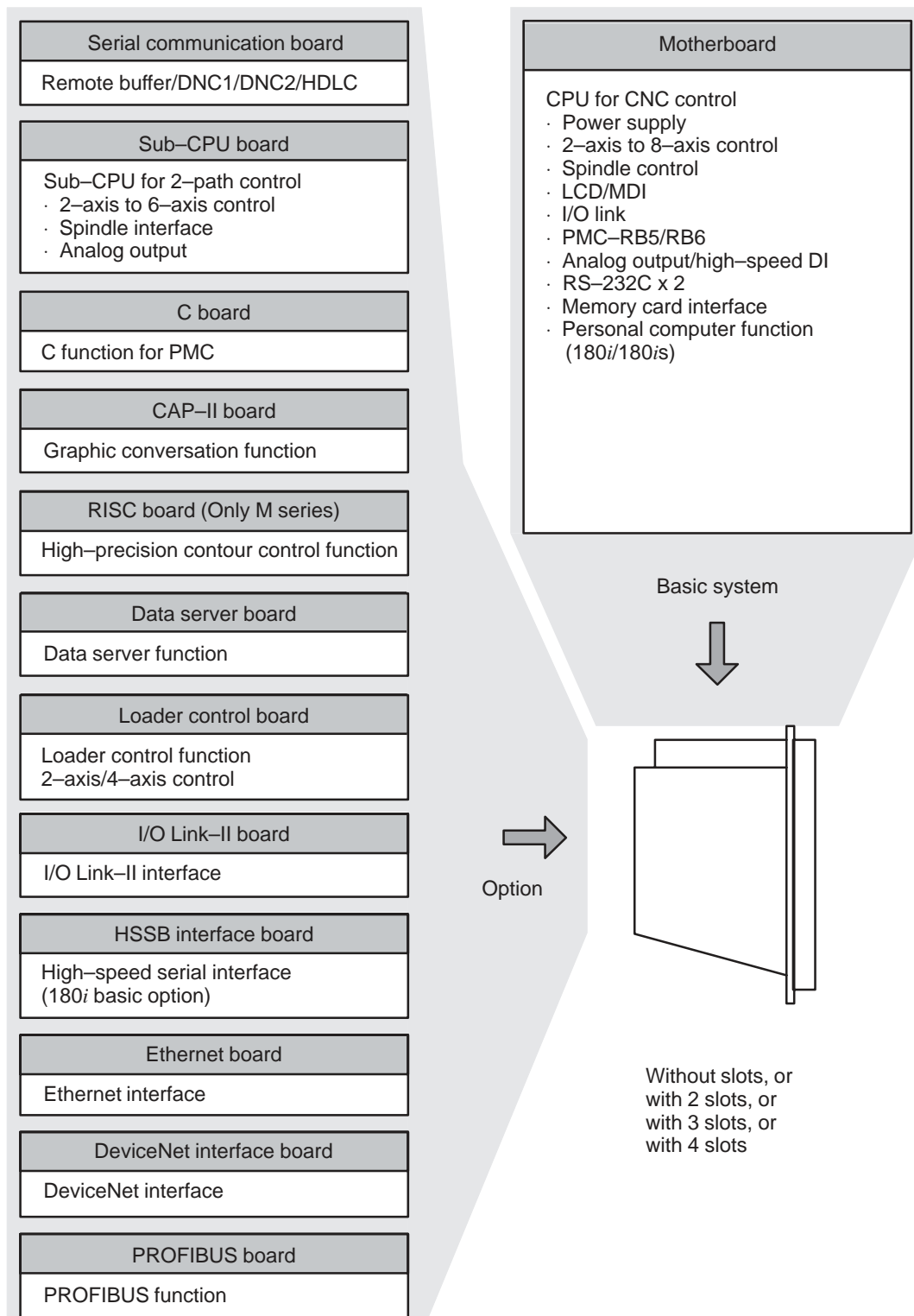


# System Structure 16i/160i/160iS



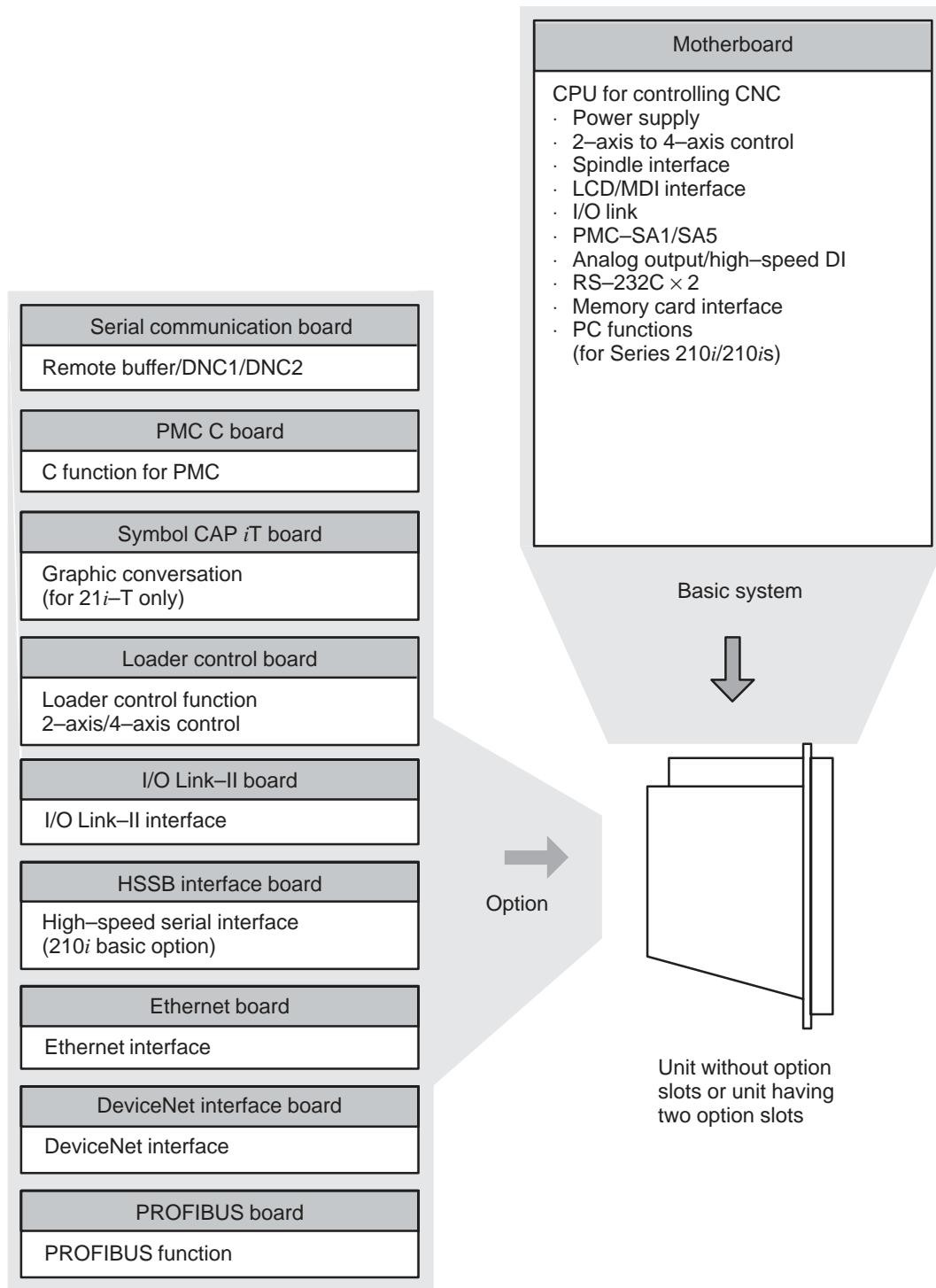
On a unit with option slots, as many option boards as the number of option slots can be mounted. However, some option boards cannot fit into the center slot of a unit with 3 option slots or the slot farthest from the LCD in a unit with 4 option slots (because of their height).

# System Structure 18i/180i/180iS



On a unit with option slots, as many option boards as the number of option slots can be mounted. However, some option boards cannot fit into the center slot of a unit with 3 option slots or the slot farthest from the LCD in a unit with 4 option slots (because of their height).

# System Structure 21i/210i/210iS



On a unit with two option slots, two option boards can be mounted.

## Basic Units

Model	Module	Renewal Part No.	Remarks
16i/160i	8.4" color basic unit with soft keys (5 + 2)	No slot	A02B-0236-B501
		2 slots	A02B-0236-B502
		3 slots	A02B-0236-B508
		4 slots	A02B-0236-B503
	10.4" high-intensity color basic unit with soft keys (10 + 2)	No slot	A02B-0236-B611
		2 slots	A02B-0236-B612
		3 slots	A02B-0236-B618
		4 slots	A02B-0236-B613
	10.4" high-intensity color basic unit with touch panel	No slot	A02B-0236-B621
		2 slots	A02B-0236-B622
		3 slots	A02B-0236-B628
		4 slots	A02B-0236-B623
	7.2" monochrome basic unit with soft keys (5 + 2)	No slot	A02B-0236-B531
		2 slots	A02B-0236-B532
		3 slots	A02B-0236-B538
		4 slots	A02B-0236-B533
	9.5" monochrome basic unit with soft keys (10 + 2)	No slot	A02B-0236-B541
		2 slots	A02B-0236-B542
		3 slots	A02B-0236-B548
		4 slots	A02B-0236-B543
	10.4" color basic unit (old type) with soft keys (10 + 2)	No slot	A02B-0236-B511
		2 slots	A02B-0236-B512
		3 slots	A02B-0236-B518
		4 slots	A02B-0236-B513
	10.4" color basic unit (old type) with touch panel	No slot	A02B-0236-B521
		2 slots	A02B-0236-B522
		3 slots	A02B-0236-B528
		4 slots	A02B-0236-B523



Basic Units (cont.)

Model	Module	Renewal Part No.	Remarks
160i with PC functions	10.4" high- intensity color basic unit with soft keys (10 + 2) PC CPU: MMX Pentium	No slot	A02B- 0236- B801
		2 slots	A02B- 0236- B802
		3 slots	A02B- 0236- B803
		4 slots	A02B- 0236- B804
	10.4" high- intensity color basic unit with touch panel PC CPU: MMX Pentium	No slot	A02B- 0236- B811
		2 slots	A02B- 0236- B812
		3 slots	A02B- 0236- B813
		4 slots	A02B- 0236- B814
	10.4" high- intensity color basic unit with no soft key PC CPU: MMX Pentium	No slot	A02B- 0236- B821
		2 slots	A02B- 0236- B822
		3 slots	A02B- 0236- B823
		4 slots	A02B- 0236- B824
	12.1" color basic unit with soft keys (10 + 2) PC CPU: MMX Pentium	No slot	A02B- 0236- B831
		2 slots	A02B- 0236- B832
		3 slots	A02B- 0236- B833
		4 slots	A02B- 0236- B834
	12.1" color basic unit with touch panel PC CPU: MMX Pentium	No slot	A02B- 0236- B841
		2 slots	A02B- 0236- B842
		3 slots	A02B- 0236- B843
		4 slots	A02B- 0236- B844
	12.1" color basic unit with no soft key PC CPU: MMX Pentium	No slot	A02B- 0236- B851
		2 slots	A02B- 0236- B852
		3 slots	A02B- 0236- B853
		4 slots	A02B- 0236- B854
	10.4" color basic unit (old type) with soft keys (10 + 2) PC CPU: 486DX4	No slot	A02B- 0236- B551
		2 slots	A02B- 0236- B552
		3 slots	A02B- 0236- B558
		4 slots	A02B- 0236- B553
10.4" color basic unit (old type) with touch panel PC CPU: 486DX4	No slot	A02B- 0236- B561	
	2 slots	A02B- 0236- B562	
	3 slots	A02B- 0236- B568	
	4 slots	A02B- 0236- B563	

*Basic Units (cont.)*

Model	Module	Renewal Part No.	Remarks
160i with PC functions	10.4" color basic unit (old type) with no soft key PC CPU: 486DX4	No slot	A02B- 0236- B571
		2 slots	A02B- 0236- B572
		3 slots	A02B- 0236- B578
		4 slots	A02B- 0236- B573
	10.4" high- intensity color basic unit with soft keys (10 + 2) PC CPU: 486DX4	No slot	A02B- 0236- B651
		2 slots	A02B- 0236- B652
		3 slots	A02B- 0236- B658
		4 slots	A02B- 0236- B653
	10.4" high- intensity color basic unit with touch panel PC CPU: 486DX4	No slot	A02B- 0236- B661
		2 slots	A02B- 0236- B662
		3 slots	A02B- 0236- B668
		4 slots	A02B- 0236- B663
	10.4" high- intensity color basic unit with no soft key PC CPU: 486DX4	No slot	A02B- 0236- B671
		2 slots	A02B- 0236- B672
		3 slots	A02B- 0236- B678
		4 slots	A02B- 0236- B673
	10.4" high- intensity color basic unit with soft keys (10 + 2) PC CPU: Pentium	No slot	A02B- 0236- B751
		2 slots	A02B- 0236- B752
		3 slots	A02B- 0236- B758
		4 slots	A02B- 0236- B753
	10.4" high- intensity color basic unit with touch panel PC CPU: Pentium	No slot	A02B- 0236- B761
		2 slots	A02B- 0236- B762
		3 slots	A02B- 0236- B768
		4 slots	A02B- 0236- B763
	10.4" high- intensity color basic unit with no soft key PC CPU: Pentium	No slot	A02B- 0236- B771
		2 slots	A02B- 0236- B772
		3 slots	A02B- 0236- B778
		4 slots	A02B- 0236- B773
160is with PC functions	10.4" high- intensity color basic unit with soft keys (10 + 2)	No slot	A02B- 0269- B501
		2 slots	A02B- 0269- B502
		3 slots	A02B- 0269- B503
		4 slots	A02B- 0269- B504

Basic Units (cont.)

Model	Module	Renewal Part No.	Remarks
160is with PC functions	10.4" high- intensity color basic unit with touch panel	No slot	A02B- 0269- B511
		2 slots	A02B- 0269- B512
		3 slots	A02B- 0269- B513
		4 slots	A02B- 0269- B514
18i/180i	8.4" color basic unit with soft keys (5 + 2)	No slot	A02B- 0238- B501
		2 slots	A02B- 0238- B502
		3 slots	A02B- 0238- B508
		4 slots	A02B- 0238- B503
	10.4" high- intensity color basic unit with soft keys (10 + 2)	No slot	A02B- 0238- B611
		2 slots	A02B- 0238- B612
		3 slots	A02B- 0238- B618
		4 slots	A02B- 0238- B613
	10.4" high- intensity color basic unit with touch panel	No slot	A02B- 0238- B621
		2 slots	A02B- 0238- B622
		3 slots	A02B- 0238- B628
		4 slots	A02B- 0238- B623
	7.2" monochrome basic unit with soft keys (5 + 2)	No slot	A02B- 0238- B531
		2 slots	A02B- 0238- B532
		3 slots	A02B- 0238- B538
		4 slots	A02B- 0238- B533
	9.5" monochrome basic unit with soft keys (10 + 2)	No slot	A02B- 0238- B541
		2 slots	A02B- 0238- B542
		3 slots	A02B- 0238- B548
		4 slots	A02B- 0238- B543
	10.4" color basic unit (old type) with soft keys (10 + 2)	No slot	A02B- 0238- B511
		2 slots	A02B- 0238- B512
		3 slots	A02B- 0238- B518
		4 slots	A02B- 0238- B513
	10.4" color basic unit (old type) with touch panel	No slot	A02B- 0238- B521
		2 slots	A02B- 0238- B522
		3 slots	A02B- 0238- B528
		4 slots	A02B- 0238- B523

*Basic Units (cont.)*

Model	Module	Renewal Part No.	Remarks
180i with PC functions	10.4" high- intensity color basic unit with soft keys (10 + 2) PC CPU: MMX Pentium	No slot	A02B- 0238- B801
		2 slots	A02B- 0238- B802
		3 slots	A02B- 0238- B803
		4 slots	A02B- 0238- B804
	10.4" high- intensity color basic unit with touch panel PC CPU: MMX Pentium	No slot	A02B- 0238- B811
		2 slots	A02B- 0238- B812
		3 slots	A02B- 0238- B813
		4 slots	A02B- 0238- B814
	10.4" high- intensity color basic unit with no soft key PC CPU: MMX Pentium	No slot	A02B- 0238- B821
		2 slots	A02B- 0238- B822
		3 slots	A02B- 0238- B823
		4 slots	A02B- 0238- B824
	12.1" color basic unit with soft keys (10 + 2) PC CPU: MMX Pentium	No slot	A02B- 0238- B831
		2 slots	A02B- 0238- B832
		3 slots	A02B- 0238- B833
		4 slots	A02B- 0238- B834
	12.1" color basic unit with touch panel PC CPU: MMX Pentium	No slot	A02B- 0238- B841
		2 slots	A02B- 0238- B842
		3 slots	A02B- 0238- B843
		4 slots	A02B- 0238- B844
	12.1" color basic unit with no soft key PC CPU: MMX Pentium	No slot	A02B- 0238- B851
		2 slots	A02B- 0238- B852
		3 slots	A02B- 0238- B853
		4 slots	A02B- 0238- B854
	10.4" color basic unit (old type) with soft keys (10 + 2) PC CPU: 486DX4	No slot	A02B- 0238- B551
		2 slots	A02B- 0238- B552
		3 slots	A02B- 0238- B558
		4 slots	A02B- 0238- B553
	10.4" color basic unit (old type) with touch panel PC CPU: 486DX4	No slot	A02B- 0238- B561
		2 slots	A02B- 0238- B562
		3 slots	A02B- 0238- B568
		4 slots	A02B- 0238- B563

Basic Units (cont.)

Model	Name		Part No.	Remarks
180i with PC functions	10.4" color basic unit (old type) with no soft key PC CPU: 486DX4	No slot	A02B- 0238- B571	
		2 slots	A02B- 0238- B572	
		3 slots	A02B- 0238- B578	
		4 slots	A02B- 0238- B573	
	10.4" high- intensity color basic unit with soft keys (10 + 2) PC CPU: 486DX4	No slot	A02B- 0238- B651	
		2 slots	A02B- 0238- B652	
		3 slots	A02B- 0238- B658	
		4 slots	A02B- 0238- B653	
	10.4" high- intensity color basic unit with touch panel PC CPU: 486DX4	No slot	A02B- 0238- B661	
		2 slots	A02B- 0238- B662	
		3 slots	A02B- 0238- B668	
		4 slots	A02B- 0238- B663	
	10.4" high- intensity color basic unit with no soft key PC CPU: 486DX4	No slot	A02B- 0238- B671	
		2 slots	A02B- 0238- B672	
		3 slots	A02B- 0238- B678	
		4 slots	A02B- 0238- B673	
	10.4" high- intensity color basic unit with soft keys (10 + 2) PC CPU: Pentium	No slot	A02B- 0238- B751	
		2 slots	A02B- 0238- B752	
		3 slots	A02B- 0238- B758	
		4 slots	A02B- 0238- B753	
	10.4" high- intensity color basic unit with touch panel PC CPU: Pentium	No slot	A02B- 0238- B761	
		2 slots	A02B- 0238- B762	
		3 slots	A02B- 0238- B768	
		4 slots	A02B- 0238- B763	
10.4" high- intensity color basic unit with no soft key PC CPU: Pentium	No slot	A02B- 0238- B771		
	2 slots	A02B- 0238- B772		
	3 slots	A02B- 0238- B778		
	4 slots	A02B- 0238- B773		
180is with PC functions	10.4" high- intensity color basic unit with soft keys (10 + 2)	No slot	A02B- 0270- B501	
		2 slots	A02B- 0270- B502	
		3 slots	A02B- 0270- B508	
		4 slots	A02B- 0270- B504	

## Basic Units (cont.)

Model	Module	Renewal Part No.	Remarks	
180is with PC functions	10.4" high- intensity color basic unit with touch panel	No slot	A02B- 0270- B511	
		2 slots	A02B- 0270- B512	
		3 slots	A02B- 0270- B513	
		4 slots	A02B- 0270- B514	
21i/210i	8.4" color basic unit with soft keys (5 + 2)	No slot	A02B- 0247- B501	PMC- SA1
		2 slots	A02B- 0247- B502	PMC- SA1
		3 slots	A02B- 0247- B505	PMC- SA5
		4 slots	A02B- 0247- B506	PMC- SA5
	10.4" high- intensity color basic unit with soft keys (10 + 2)	No slot	A02B- 0247- B611	PMC- SA1
		2 slots	A02B- 0247- B612	PMC- SA1
		3 slots	A02B- 0247- B615	PMC- SA5
		4 slots	A02B- 0247- B616	PMC- SA5
	10.4" high- intensity color basic unit with touch panel	No slot	A02B- 0247- B621	PMC- SA1
		2 slots	A02B- 0247- B622	PMC- SA1
		3 slots	A02B- 0247- B624	PMC- SA5
		4 slots	A02B- 0247- B625	PMC- SA5
	7.2" monochrome basic unit with soft keys (5 + 2)	No slot	A02B- 0247- B531	PMC- SA1
		2 slots	A02B- 0247- B532	PMC- SA1
		3 slots	A02B- 0247- B535	PMC- SA5
		4 slots	A02B- 0247- B536	PMC- SA5
	9.5" monochrome basic unit with soft keys (10 + 2)	No slot	A02B- 0247- B541	PMC- SA1
		2 slots	A02B- 0247- B542	PMC- SA1
		3 slots	A02B- 0247- B545	PMC- SA5
		4 slots	A02B- 0247- B546	PMC- SA5
10.4" color basic unit (old type) with soft keys (10 + 2)	No slot	A02B- 0247- B511	PMC- SA1	
	2 slots	A02B- 0247- B512	PMC- SA1	
	3 slots	A02B- 0247- B515	PMC- SA5	
	4 slots	A02B- 0247- B516	PMC- SA5	

Basic Units (cont.)

Model	Module	Renewal Part No.	Remarks	
210i with PC functions	10.4" high- intensity color basic unit with soft keys (10 + 2) PC CPU: MMX Pentium	No slot	A02B- 0247- B801	PMC- SA1
		2 slots	A02B- 0247- B802	PMC- SA1
		3 slots	A02B- 0247- B805	PMC- SA5
		4 slots	A02B- 0247- B806	PMC- SA5
	10.4" high- intensity color basic unit with touch panel PC CPU: MMX Pentium	No slot	A02B- 0247- B811	PMC- SA1
		2 slots	A02B- 0247- B812	PMC- SA1
		3 slots	A02B- 0247- B815	PMC- SA5
		4 slots	A02B- 0247- B816	PMC- SA5
	10.4" high- intensity color basic unit with no soft key PC CPU: MMX Pentium	No slot	A02B- 0247- B821	PMC- SA1
		2 slots	A02B- 0247- B822	PMC- SA1
		3 slots	A02B- 0247- B825	PMC- SA5
		4 slots	A02B- 0247- B826	PMC- SA5
	12.1" color basic unit with soft keys (10 + 2) PC CPU: MMX Pentium	No slot	A02B- 0247- B831	PMC- SA1
		2 slots	A02B- 0247- B832	PMC- SA1
		3 slots	A02B- 0247- B835	PMC- SA5
		4 slots	A02B- 0247- B836	PMC- SA5
	12.1" color basic unit with touch panel PC CPU: MMX Pentium	No slot	A02B- 0247- B841	PMC- SA1
		2 slots	A02B- 0247- B842	PMC- SA1
		3 slots	A02B- 0247- B845	PMC- SA5
		4 slots	A02B- 0247- B846	PMC- SA5
	12.1" color basic unit with no soft key PC CPU: MMX Pentium	No slot	A02B- 0247- B851	PMC- SA1
		2 slots	A02B- 0247- B852	PMC- SA1
		3 slots	A02B- 0247- B855	PMC- SA5
		4 slots	A02B- 0247- B856	PMC- SA5
	10.4" color basic unit (old type) with soft keys (10 + 2) PC CPU: 486DX4	No slot	A02B- 0247- B551	PMC- SA1
		2 slots	A02B- 0247- B552	PMC- SA1
		3 slots	A02B- 0247- B555	PMC- SA5
		4 slots	A02B- 0247- B556	PMC- SA5
10.4" color basic unit (old type) with touch panel PC CPU: 486DX4	No slot	A02B- 0247- B561	PMC- SA1	
	2 slots	A02B- 0247- B562	PMC- SA1	
	3 slots	A02B- 0247- B565	PMC- SA5	
	4 slots	A02B- 0247- B566	PMC- SA5	

*Basic Units (cont.)*

Model	Module	Renewal Part No.	Remarks	
210i with PC functions	10.4" color basic unit (old type) with no soft key PC CPU: 486DX4	No slot	A02B- 0247- B571	PMC- SA1
		2 slots	A02B- 0247- B572	PMC- SA1
		3 slots	A02B- 0247- B575	PMC- SA5
		4 slots	A02B- 0247- B576	PMC- SA5
	10.4" high- intensity color basic unit with soft keys (10 + 2) PC CPU: 486DX4	No slot	A02B- 0247- B651	PMC- SA1
		2 slots	A02B- 0247- B652	PMC- SA1
		3 slots	A02B- 0247- B655	PMC- SA5
		4 slots	A02B- 0247- B656	PMC- SA5
	10.4" high- intensity color basic unit with touch panel PC CPU: 486DX4	No slot	A02B- 0247- B661	PMC- SA1
		2 slots	A02B- 0247- B662	PMC- SA1
		3 slots	A02B- 0247- B665	PMC- SA5
		4 slots	A02B- 0247- B666	PMC- SA5
	10.4" high- intensity color basic unit with no soft key PC CPU: 486DX4	No slot	A02B- 0247- B671	PMC- SA1
		2 slots	A02B- 0247- B672	PMC- SA1
		3 slots	A02B- 0247- B675	PMC- SA5
		4 slots	A02B- 0247- B676	PMC- SA5
	10.4" high- intensity color basic unit with soft keys (10 + 2) PC CPU: Pentium	No slot	A02B- 0247- B751	PMC- SA1
		2 slots	A02B- 0247- B752	PMC- SA1
		3 slots	A02B- 0247- B755	PMC- SA5
		4 slots	A02B- 0247- B756	PMC- SA5
	10.4" high- intensity color basic unit with touch panel PC CPU: Pentium	No slot	A02B- 0247- B761	PMC- SA1
		2 slots	A02B- 0247- B762	PMC- SA1
		3 slots	A02B- 0247- B765	PMC- SA5
		4 slots	A02B- 0247- B766	PMC- SA5
	10.4" high- intensity color basic unit with no soft key PC CPU: Pentium	No slot	A02B- 0247- B771	PMC- SA1
		2 slots	A02B- 0247- B772	PMC- SA1
		3 slots	A02B- 0247- B775	PMC- SA5
		4 slots	A02B- 0247- B776	PMC- SA5
210is with PC functions	10.4" high- intensity color basic unit with soft keys (10 + 2)	No slot	A02B- 0271- B501	PMC- SA1
		2 slots	A02B- 0271- B502	PMC- SA1
		3 slots	A02B- 0271- B505	PMC- SA5
		4 slots	A02B- 0271- B506	PMC- SA5



*Basic Units (cont.)*

Model	Module		Renewal Part No.	Remarks
210is with PC functions	10.4" high- intensity color basic unit with touch panel	No slot	A02B- 0271- B511	PMC- SA1
		2 slots	A02B- 0271- B512	PMC- SA1
		No slot	A02B- 0271- B515	PMC- SA5
		2 slots	A02B- 0271- B516	PMC- SA5
20i	8.4" high- intensity color basic unit with soft keys (5 + 2)	No slot	A02B- 0277- B501	PMC- SA1
		2 slots	A02B- 0277- B502	PMC- SA1
		No slot	A02B- 0277- B505	PMC- SA5
		2 slots	A02B- 0277- B506	PMC- SA5

Model	Module		Renewal Part No.	Remarks
16i/160i/18i/180i/21i/210i/20i	Case with connector unit	No slot	A02B- 0236- D100#0C	
		2 slots	A02B- 0236- D100#2C	
		3 slots	A02B- 0236- D100#3C	
		4 slots	A02B- 0236- D100#4C	
160i/180i/210i with PC functions	Case with connector unit	No slot	A02B- 0236- D100#0D	
		2 slots	A02B- 0236- D100#2D	
		3 slots	A02B- 0236- D100#3D	
		4 slots	A02B- 0236- D100#4D	

FANUC CNC Parts



# MDI Units

Model	Module		Renewal Part No.	Remarks
FS16i/18i/ 21i  160i/180i/ 210i	Stand- alone type MDI, small keys  For 8.4"/7.2" LCD (horizontal type)	T	A02B- 0236- C120#TBR	English keys
			A02B- 0236- C120#TBS	Symbolic keys
		M	A02B- 0236- C120#MBR	English keys
			A02B- 0236- C120#MBS	Symbolic keys
	Stand- alone type MDI, standard keys  For 8.4"/7.2" LCD (horizontal/vertical type)	T	A02B- 0236- C121#TBR	English keys
			A02B- 0236- C121#TBS	Symbolic keys
		M	A02B- 0236- C121#MBR	English keys
			A02B- 0236- C121#MBS	Symbolic keys
	Stand- alone type MDI, standard keys  For 10.4"/9.5" LCD (horizontal type)	T	A02B- 0236- C125#TBR	English keys
			A02B- 0236- C125#TBS	Symbolic keys
		M	A02B- 0236- C125#MBR	English keys
			A02B- 0236- C125#MBS	Symbolic keys
	Stand- alone type MDI, standard keys  For 10.4"/9.5" LCD (vertical type)	T	A02B- 0236- C126#TBR	English keys
			A02B- 0236- C126#TBS	Symbolic keys
M		A02B- 0236- C126#MBR	English keys	
		A02B- 0236- C126#MBS	Symbolic keys	
Stand- alone type MDI for CAP- II  For 10.4"/9.5" LCD (horizontal type)	T	A02B- 0236- C125#TFBR	English keys	
		A02B- 0236- C125#TFBS	Symbolic keys	
	T	A02B- 0236- C126#TFBR	English keys	
		A02B- 0236- C126#TFBS	Symbolic keys	
20i	Stand- alone type MDI, small- size keys  For 8.4" LCD (hori- zontal type)	T	A02B- 0236- C120#TBR	English keys
			A02B- 0236- C120#TBS	Symbolic keys
		F	A02B- 0236- C120#MBR	English keys
			A02B- 0236- C120#MBS	Symbolic keys
160i/180i/ 210i with PC func- tions	Stand- alone type MDI, standard keys  For 10.4" LCD (vertical type) (NOTE 1)	T	A02B- 0236- C127#TBR	English keys
			A02B- 0236- C127#TBS	Symbolic keys
		M	A02B- 0236- C327#MBR	English keys
			A02B- 0236- C327#MBS	Symbolic keys
		T	A02B- 0236- C327#TBR	English keys
			A02B- 0236- C327#TBS	Symbolic keys

MDI Units (cont.)

Model	Module	Renewal Part No.	Remarks
160i/180i/ 210i		M A02B- 0236- C327#MBR	English keys
		A02B- 0236- C327#MBS	Symbolic keys
	Stand- alone type MDI, standard keys For 12.1" LCD (vertical type)	T A02B- 0236- C321#TBR	English keys
		A02B- 0236- C321#TBS	Symbolic keys
		M A02B- 0236- C321#MBR	English keys
		A02B- 0236- C321#MBS	Symbolic keys
	Stand- alone type FA full keyboard For 10.4" LCD (vertical type) (NOTE 2)	A02B- 0236- C130#EC	English keys
		A02B- 0236- C130#JC	Japanese language keys
		A02B- 0236- C131#EC	English keys
		A02B- 0236- C131#JC	Japanese language keys
	Stand- alone type FA full keyboard For 12.1" LCD (vertical type)	A02B- 0236- C132#EC	English keys
		A02B- 0236- C132#JC	Japanese language keys

NOTE

- 1 MDI unit for 10.4" LCD (vertical type): A02B- 0236 - C127#xxx and A02B- 0236- C327#xxx are not compatible with each other; they differ in the way the hard disk is mounted. A02B- 0236- C327#xxx must be used in a combination of the 160i/180i/210i with PC functions and the MMX Pentium as the PC CPU.
- 2 FA full keyboard for 10.4" LCD (vertical type): A02B- 0236 - C130#xx and A02B- 0236- C131#xx are not compatible with each other; they differ in the way the hard disk is mounted. A02B- 0236- C131#xx must be used in a combination of the 160i/180i/210i with PC functions and the MMX Pentium as the PC CPU.

## Control Unit Printed Circuit Boards

Model	Module		Renewal Part No.	ID	Remarks
Master PCB	Motherboard	Without PC function	A20B- 8100- 0130	D5	16i
			A20B- 8100- 0135	C5	18i
			A20B- 8100- 0136	D7	21i (PMC- SA5)
			A20B- 8100- 0137	D7	21i (PMC- SA1)
			A20B- 8100- 0138	D7	21i (PMC- SA5)
			A20B- 8100- 0139	D7	21i (PMC- SA1)
		With PC functions	A20B- 8100- 0140	CC	160i PC CPU: 486DX4
			A20B- 8100- 0142	CC	160i PC CPU: Pentium
			A20B- 8100- 0460	CC	160i PC CPU: MMX Pentium
			A20B- 8100- 0540	54	160is
			A20B- 8100- 0145	EC	180i PC CPU: 486DX4
			A20B- 8100- 0144	EC	180i PC CPU: Pentium
			A20B- 8100- 0461	EC	180i PC CPU: MMX Pentium
			A20B- 8100- 0541	55	180is
			A20B- 8100- 0147	DC	210i (PMC- SA5) PC CPU: 486DX4
			A20B- 8100- 0148	DC	210i (PMC- SA1) PC CPU: 486DX4
			A20B- 8100- 0146	DC	210i (PMC- SA5) PC CPU: Pentium
			A20B- 8100- 0149	DC	210i (PMC- SA1) PC CPU: Pentium
			A20B- 8100- 0462	DC	210i (PMC- SA5) PC CPU: MMX Pentium
			A20B- 8100- 0463	DC	210i (PMC- SA1) PC CPU: MMX Pentium
			A20B- 8100- 0542	56	210is (PMC- SA5)
			A20B- 8100- 0543	56	210is (PMC- SA1)

## Control Unit Printed Circuit Boards (cont.)

Model	Module		Renewal Part No.	ID	Remarks
Card PCB	CPU card		A20B-3300-0050	01	
			A20B-3300-0070	09	
			A20B-3300-0170	11	
	Display control card	10.4" color	A20B-3300-0150	0E	Graphic (60V2 series)
			A20B-3300-0020		Graphic (600W series)
		8.4" color	A20B-3300-0151	0A	Graphic (60V2 series)
			A20B-3300-0021		Graphic (600W series)
		9.5" monochrome	A20B-3300-0153	06	Graphic (60V2 series)
			A20B-3300-0023		Graphic (600W series)
		7.2" monochrome	A20B-3300-0154	02	Graphic (60V2 series)
			A20B-3300-0024		Graphic (600W series)
		7.2" monochrome	A20B-3300-0091	03	Characters only
			A20B-3300-0025		Characters only
	9.5" monochrome	A20B-3300-0090	07	Characters only	
		Axis control card	Applicable servo software: Series 9090	A17B-3300-0100	03
	A17B-3300-0102				
	A17B-3300-0101			02	6-axes
	A17B-3300-0103				
	A20B-3300-0030			01	4-axes
	A20B-3300-0032				
	A20B-3300-0031		00	2-axes	
	A20B-3300-0033				
	Applicable servo software: Series 90B0 (replaces 90A0)		A20B-3300-0240*	07	8-axes
			(replaces A17B-3300-0200)		
			A20B-3300-0241*	06	6-axes
			(replaces A17B-3300-0201)		
	Applicable servo software: Series 90B7 (replaces 90A7)		A20B-3300-0242*	05	4-axes
(replaces A20B-3300-0120)					
A20B-3300-0243	04	4-axes			
(replaces A20B-3300-0121)					
A20B-3300-0246*	06	6-axes			
(replaces A17B-3300-0300)					
PC card		A15L-0001-0052#4A	C9	486DX4	
		A02B-0236-C261	C9	Pentium	
		A02B-0207-J560#6130	C9	MMX Pentium 10.4" LCD	
		A02B-0207-J560#6131		MMX Pentium 12.1" LCD	

\* requires software update (90A0 to 90B0, or 90A7 to 90B7) reference TMN02/090E

## Control Unit Printed Circuit Boards (cont.)

Model	Module	Renewal Part No.	ID	Remarks	
DIMM module	DRAM module	A20B-3900-0040	87	12M	
		A20B-3900-0041	86	8M	
		A20B-3900-0042	85	4M/2M	
		A20B-3900-0030	82	2M	
		A20B-3900-0130	A7	12M	CPU card: For A20B- 3300- 0170
		A20B-3900-0131	A6	8M	
		A20B-3900-0132	A5	4M	
	SRAM module	A20B-3900-0020	25	3M	
		A20B-3900-0060	04	2M	
		A20B-3900-0061	03	1M	
		A20B-3900-0052	02	512K	
		A20B-3900-0053	01	256K	
	FROM module	A20B-3900-0010	47	16M	
		A20B-3900-0070	57		
		A20B-3900-0011	45	12M	
		A20B-3900-0071	55		
		A20B-3900-0012	43	8M	
		A20B-3900-0072	53		
		A20B-3900-0013	42	6M	
		A20B-3900-0073	52		
		A20B-3900-0014	41	4M	
		A20B-3900-0074	51		
		A20B-3900-0015	40	2M	
		A20B-3900-0075	50		
	DRAM module (for PC card)	A76L-0500-0008	—	8M for 486DX	
		A76L-0500-0009	—	16M for 486DX	
		A76L-0500-0010	—	16M for Pentium	
A76L-0500-0011		—	32M for Pentium/MMX Pen- tium		
A76L-0500-0012		—	64M for Pentium/MMX Pentium		

## Control Unit Printed Circuit Boards (cont.)

Model	Module		Renewal Part No.	ID	Remarks
Option PCB	PMC- RE board		A20B-8100-0150	1xCD	
	C board	Old	A20B-8100-0151	0xCD	
		New	A20B-8100-0261		
	Serial communication board A (remote buffer/ DNC2)	Old	A20B-8100-0152	2xCD	
		New	A20B-8100-0262		
	Serial communication board B (DNC1)	Old	A20B-8100-0153	3xCD	
		New	A20B-8100-0263		
	CAP- II board/Symbol CAP iT board	Old	A20B-8100-0154	4xCD	
		New	A20B-8100-0264		
	Sub- CPU board		A20B-8001-0630	0xCE	
	RISC board	Old	A20B-8100-0170	0xCF	
		New	A20B-8100-0171		
	Data server board (hard disk version)	Main board	A20B-8100-0160	1xA3	Old specification
		Add- on board	A20B-2002-0590	—	
	Data server board (hard disk version)		A20B-8100-0271	3xDB	New specification
	Data server board (ATA card version)	Main board	A20B-8100-0271	3xDB	
		Add- on board	A20B-2002-0960	—	
	Loader control board		A20B-8100-0190	0xD3	
	HSSB interface board	Old	A20B-8001-0640	AxAA	
		New	A20B-8100-0641	ExAA	
I/O Link- II board		A20B-8100-0250	0x95		
PROFIBUS board	Main board	A20B-8100-0430	0xBB		
	Add- on board	A20B-2100-0430	—		
Ethernet board	Old	A20B-8100-0270	1xDB		
	New	A20B-8100-0271	3xDB		
DeviceNet interface board		A20B-8001-0880	1xF3		
Backpanel	Backpanel		A20B-2100-0220	—	2 slots
			A20B-2100-0290	—	3 slots
			A20B-2100-0230	—	4 slots

## Control Unit Printed Circuit Boards (cont.)

Model	Module		Renewal Part No.	ID	Remarks
Distributed I/O	Operator's panel I/O module		A20B-2002-0470	—	Matrix DI supported With MPG interface
			A20B-2002-0520	—	General-purpose DI input With MPG interface
			A20B-2002-0521	—	General-purpose DI input Without MPG interface
	Connector panel I/O module	Basic	A20B-2100-0150	—	
		Expansion	A20B-2100-0410	—	With MPG intersection
			A20B-2002-0400	—	With MPG intersection Old PCB
			A20B-2100-0411	—	Without MPG interface
			A20B-2002-0401	—	Without MPG interface Old PCB
			A20B-2100-0320	—	2 A output
			A20B-2100-0190	—	Analog input
Others	Inverter	For no- or 2-slot type	A20B-2002-0500	—	10.4" color
			A20B-2002-0501	—	8.4" color
			A20B-2002-0480	—	Monochrome
		3- or 4-slot type	A20B-8100-0200	—	10.4" color
			A20B-8100-0201	—	8.4" color
			A20B-2002-0550	—	Monochrome
	Inverter (connector unit type)	For monochrome	A20B-8001-0910	—	
		For color	A20B-8001-0920	—	10.4" color
			A20B-8001-0921	—	8.4" color
			A20B-8001-0922	—	8.4" high-intensity color
	Operator's panel connection unit	(64/32)	A16B-2200-0661	—	Sink-type output
		(96/64)	A16B-2200-0660	—	Sink-type output
		(64/32)	A16B-2202-0731	—	Source-type output
		(96/64)	A16B-2202-0730	—	Source-type output
	Machine operator's panel interface unit		A16B-2201-0110	—	
	PCB for FS0 type standard machine operator's panel		A20B-8001-0721	—	
			A20B-8001-0720	—	Old PCB
			A16B-2300-0210	—	Old PCB



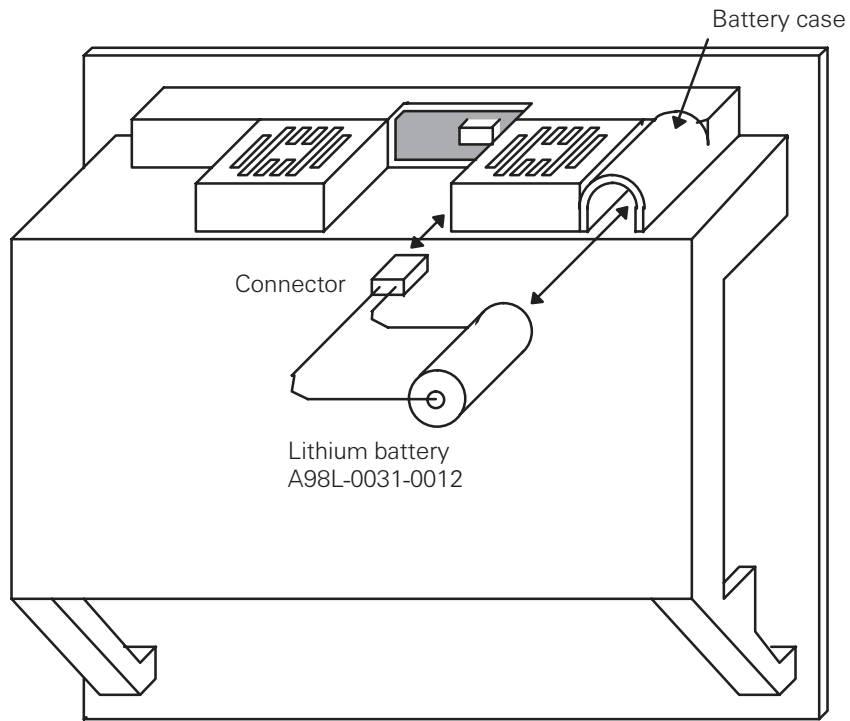
## Control Unit Printed Circuit Boards (cont.)

Model	Module		Renewal Part No.	ID	Remarks
Others	Loader I/O card	Old	A20B-2002-0620	—	
		New	A20B-2100-0280	—	
			A20B-2100-0281	—	Matrix supported
	Touch panel control board		A20B-8001-0620	—	
	PCB for separate detector interface unit		A20B-2100-0270	—	4 basic axes
			A20B-2002-0570	—	4 additional axes
	PC- side HSSB board		A20B-8001-0583	—	For channel 1
			A20B-8001-0581	—	For channel 1 (old)
			A20B-8001-0582	—	For channel 2
			A20B-8001-0580	—	For channel 2 (old)
			A20B-8100-0100	—	Old PCB

## Other Printed Circuit Boards

Module		Renewal Part No.	Remarks
Separate detector interface unit	Four basic axes	A02B-0236-C203	
		A02B-0236-C201	Old unit
	Four additional axes	A02B-0236-C204	
		A02B-0236-C202	Old unit
Connector panel I/O module	Basic module	A03B-0815-C001	
	Expansion module	A03B-0815-C002	With MPG interface
		A03B-0815-C003	Without MPG interface
		A03B-0815-C004	DO only
		A03B-0815-C005	Analog input
Distributed I/O machine operator's panel	Small type	A02B-0236-C141#xx	DI = 24, with MPG interface
	Standard type	A02B-0236-C140#xx	DI = 24, with MPG interface
	290 mm wide	A02B-0236-C150#xx	DI = 24, with MPG interface
Loader I/O board		A02B-0236-C160	
		A02B-0236-C161	Matrix supported
PROFIBUS adapter unit		A02B-0236-C221	
Spindle connector adapter		A13B-0180-B001	
PC interface connector unit		A20B-8001-0610	
		A20B-8001-0970	PC card: MMX Pentium supported
ISA expansion unit		A20B-9002-0210	

# Batteries



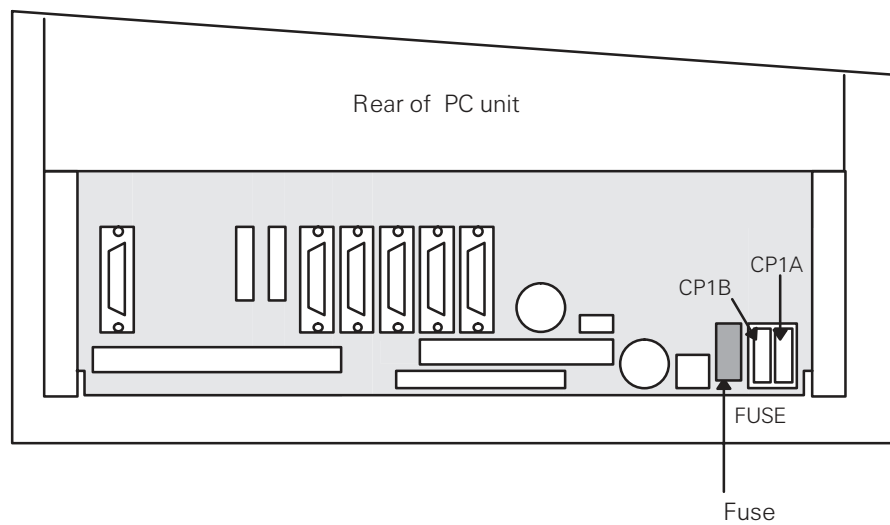
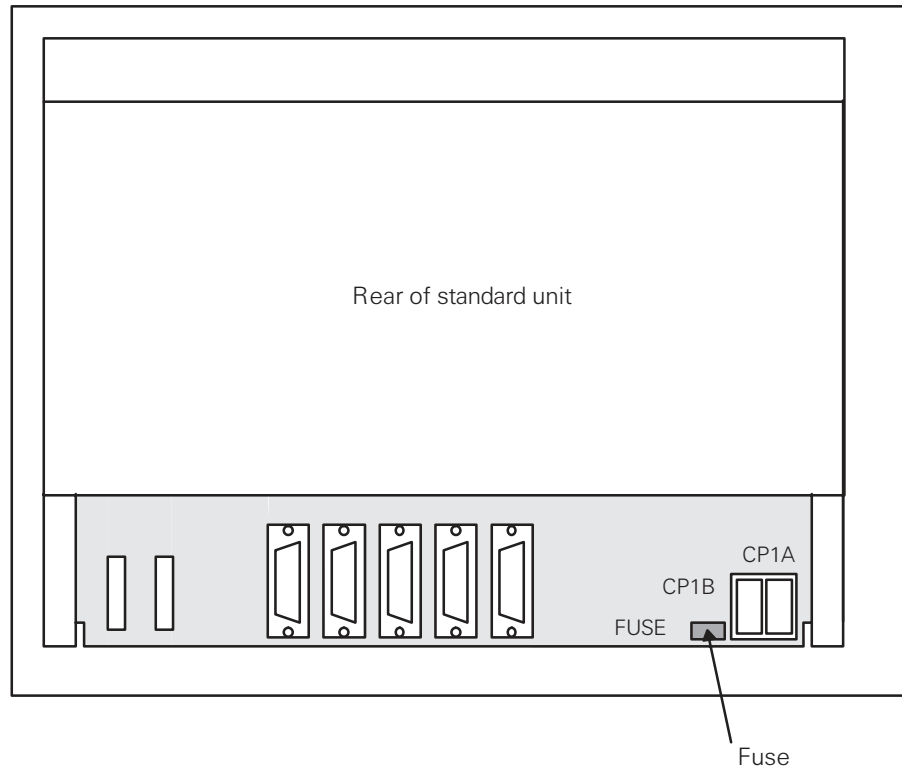
RENEWAL PARTS

2-136

# FANUC CNC Parts

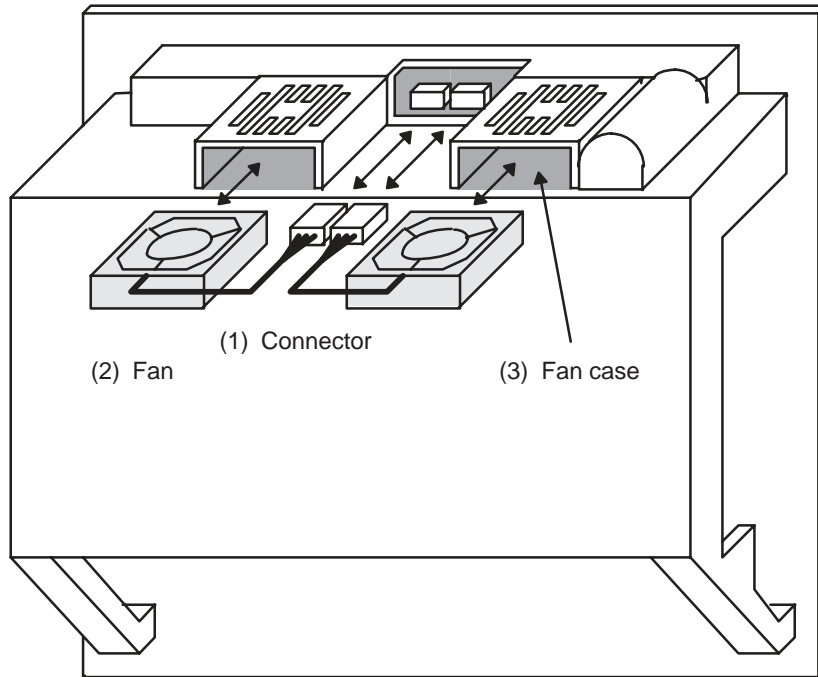


# Fuses



Basic unit	System Part No.	Rating	Renewal Part No.
FS16i/18i/21i	A02B-0236-K100	5A	A60L-0001-0290#LM50
FS160i/180i/210i FS160is/180is/210is	A02B-0236-K101	7.5A	A60L-0001-0046#7.5

# Fans



RENEWAL PARTS

2-138

	Renewal Part No.	Required quantity
Unit with no option slot	A02B-0236-K120	2
Unit with 2 option slots	A02B-0236-K121	2
Unit with 3 option slots	A02B-0236-K121	2
	A02B-0236-K122	2
Unit with 4 option slots	A02B-0236-K121	4

# FANUC CNC Parts

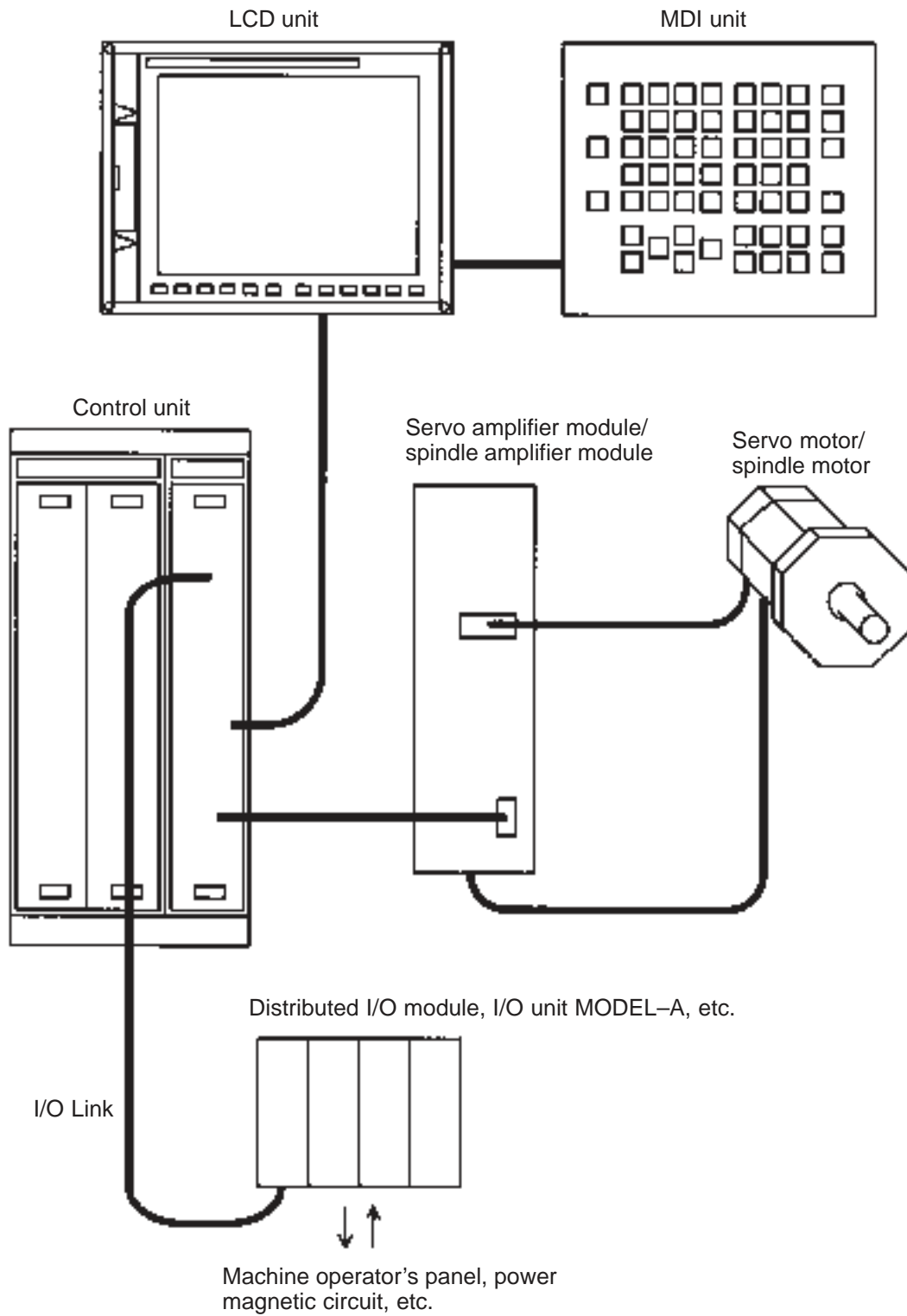


## Backlights

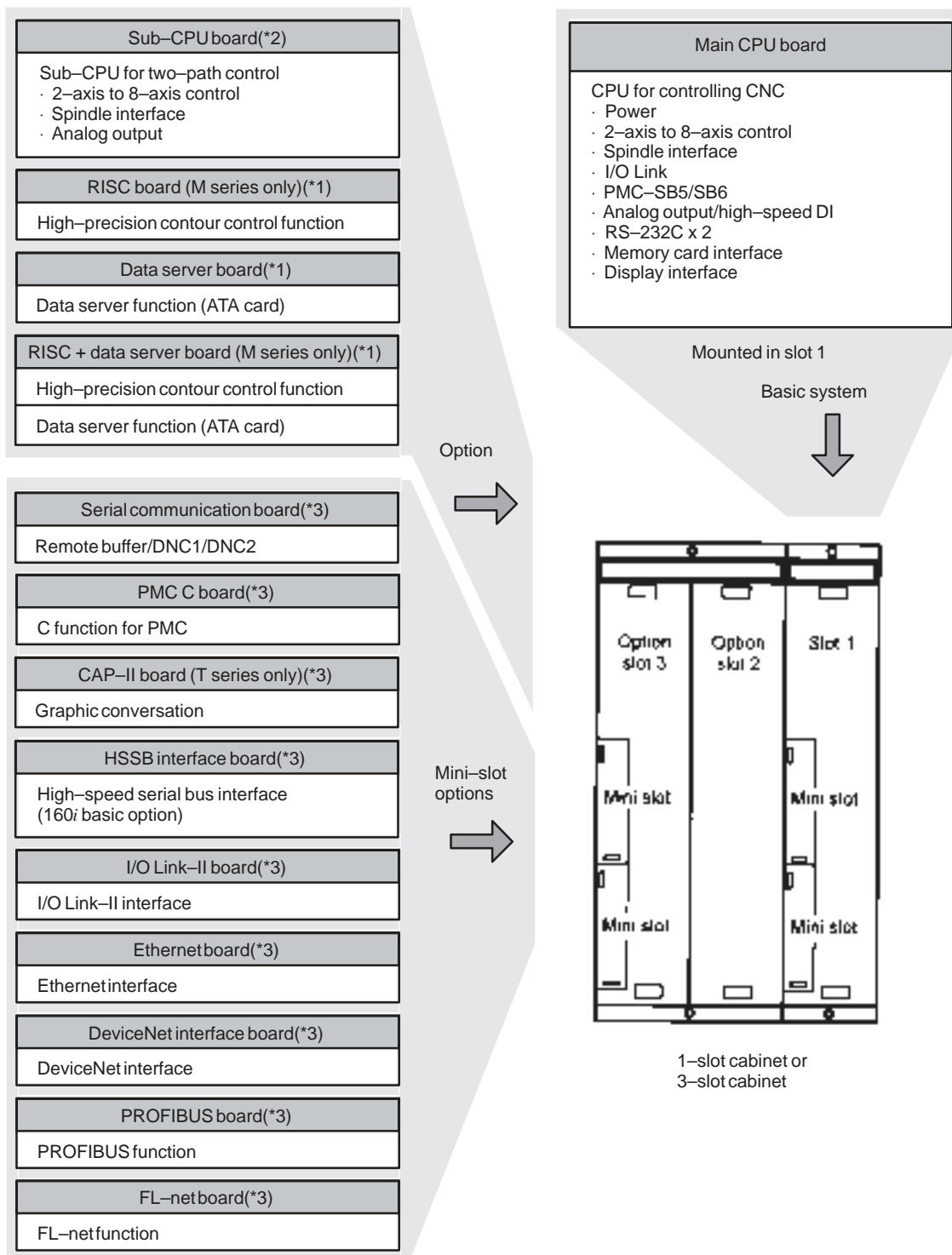
Backlight		Feature information	Renewal Part No.
For 7.2" LCD	Made by Hitachi	A02B-0236-K112	A61L-0001-0142#BL
For 7.2" LCD	Made by Sharp		A61L-0001-0142#BLS
For 8.4" LCD		A02B-0236-K113	A61L-0001-0162#BL
For high-intensity 8.4" LCD (for FS20i)		A02B-0236-K119	A61L-0001-0176#BL
For 9.5" LCD		A02B-0236-K114	A61L-0001-0154#BL
For 10.4" LCD (old type)		A02B-0236-K115	A61L-0001-0163#BL
For high-intensity 10.4" LCD		A02B-0236-K116	A61L-0001-0168#BL
For 12.1" LCD		A02B-0236-K117	A61L-0001-0174#BL

# Series 16i/18i/21i Standalone Model A Part Numbers

## Hardware Structure



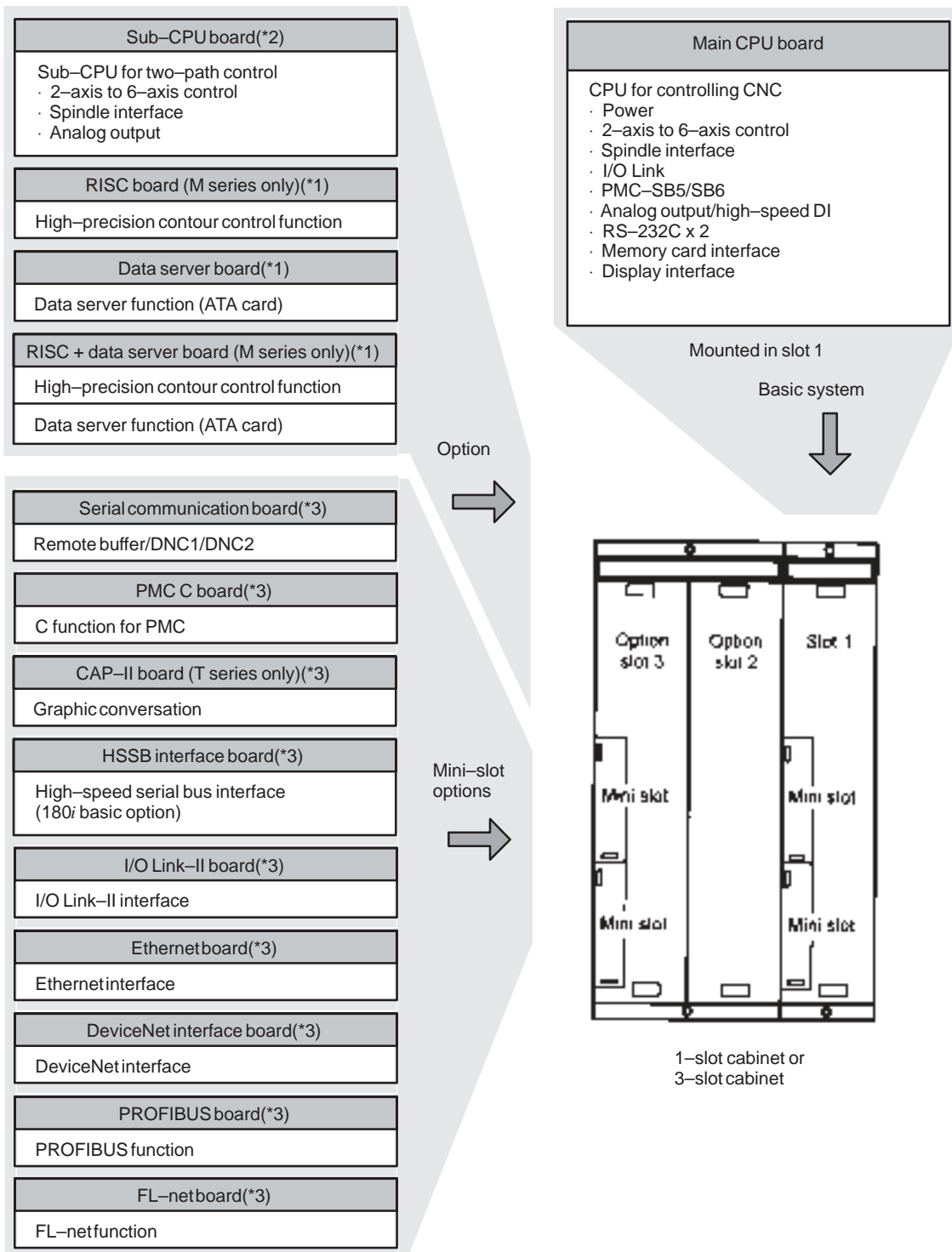
# System Structure 16i/160i



The mounting position of an option board depends on the board type, as shown below:  
 The option board marked with \*1 fits into option slot 2.  
 The option board marked with \*2 fits into option slot 3.  
 The option board marked with \*3 fits into a mini slot (of any slot).

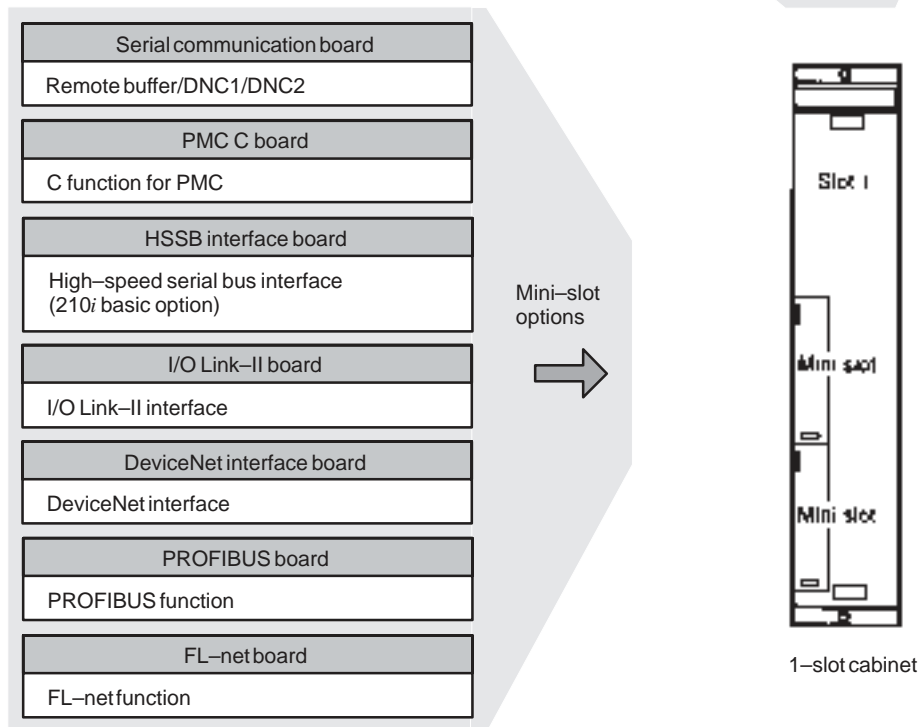
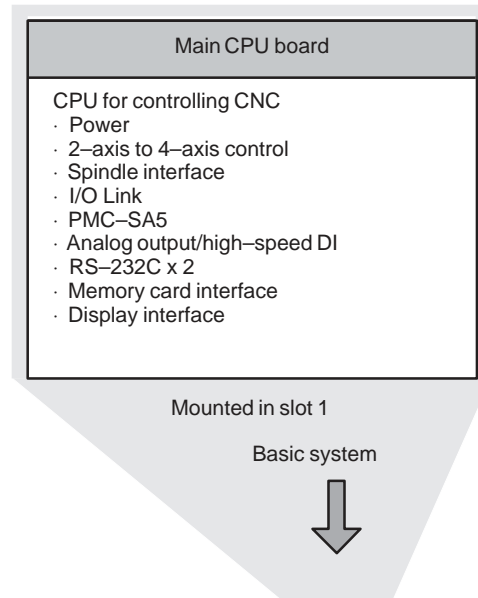


# System Structure 18i/180i



The mounting position of an option board depends on the board type, as shown below:  
 The option board marked with \*1 fits into option slot 2.  
 The option board marked with \*2 fits into option slot 3.  
 The option board marked with \*3 fits into a mini slot (of any slot).

# System Structure 21i/210i



These option boards are mounted in mini slots (of any slot).

## Basic Units

Type	Item	Part No.	Remarks
16i/160i	Basic unit with 1 slot	A02B- 0265- B501	
	Basic unit with 3 slots	A02B- 0265- B503	
18i/180i	Basic unit with 1 slot	A02B- 0266- B501	
	Basic unit with 3 slots	A02B- 0266- B503	
21i/210i	Basic unit with 1 slot	A02B- 0267- B501	

## Control Unit Printed Circuit Boards

Model	Module	Renewal Part No.	ID	Remarks	
Master PCB	Main CPU board	A16B-3200-0320	E8	16i	
		A16B-3200-0325	E9	18i	
		A16B-3200-0326	EA	21i	
Card PCB	CPU card	A20B-3300-0050	01		
		A20B-3300-0070	09		
		A20B-3300-0170	11		
	Display control card	LCD/MDI	A20B-3300-0161		
		For CRT link	A20B-3300-0162		
		MDI only	A20B-3300-0190		
	Axis control card	Applicable servo software: Series 90B0 and 90B3 (replaces 90A0)	A20B-3300-0240* (replaces A17B-3300-0200)	07	8-axes
			A20B-3300-0241* (replaces A17B-3300-0201)	06	6-axes
			A20B-3300-0242* (replaces A20B-3300-0120)	05	4-axes
			A20B-3300-0243 (replaces A20B-3300-0121)	04	4-axes
		Applicable servo software: Series 90B7 (replaces 90A7)	A20B-3300-0246* (replaces A17B-3300-0300)	06	6-axes
	Display control card (LCD unit side)	10.4" color	A15L-0001-0052#4A	0E	Graphic
		9.5" monochrome	A20B-3300-0150	06	Graphic
9.5" monochrome		A20B-3300-0153	07	Character only	

## Control Unit Printed Circuit Boards (cont.)

Type	Module	Renewal Part No.	ID	Remarks	
DIMM module	DRAM module	A20B- 3900- 0040	87	12M	
		A20B- 3900- 0041	86	8M	
		A20B- 3900- 0042	85	4M/2M	
		A20B- 3900- 0030	82	2M	
		A20B- 3900- 00130	A7	12M	CPU card: For A20B- 3300 - 0170
		A20B- 3900- 00131	A6	8M	
		A20B- 3900- 00132	A5	4M	
	SRAM module	A20B- 3900- 0020	25	3M	
		A20B- 3900- 0060	04	2M	
		A20B- 3900- 0061	03	1M	
		A20B- 3900- 0052	02	512K	
		A20B- 3900- 0053	01	256K	
	FROM module	A20B- 3900- 0010	47	16M	
		A20B- 3900- 0070	57		
		A20B- 3900- 0011	45	12M	
		A20B- 3900- 0071	55		
		A20B- 3900- 0012	43	8M	
		A20B- 3900- 0072	53		
		A20B- 3900- 0013	42	6M	
		A20B- 3900- 0073	52		
		A20B- 3900- 0014	41	4M	
		A20B- 3900- 0074	51		
		A20B- 3900- 0015	40	2M	
		A20B- 3900- 0075	50		

## Control Unit Printed Circuit Boards (cont.)

Type	Item	Part No.	ID	Remarks	
Option PCB	Sub- CPU board	A16B- 2203- 0431	0xF1		
	RISC + data server board	A16B- 3200- 0350	0xF4 0xF5		
	RISC board	A16B- 3200- 0351	0xF4		
	Data server board	A16B- 3200- 0352	0xF5		
	ATA card adapter	A20B- 2100- 0500	—	For data server	
	Serial communication board (RB/DNC2, RS232C I/F)	A20B- 8100- 0334	1xE1		
	Serial communication board (RB/DNC2, RS422 I/F)	A20B- 8100- 0335	2xE1		
	Serial communication board (DNC1)	A20B- 8100- 0336	3xE2		
	C board	A20B- 8100- 0330	xxE0		
	HSSB interface board	A20B- 8001- 0730	xxAA		
	CAP- II board	A20B- 8100- 0560	xx1F		
	I/O Link- II board	A20B- 8100- 0380	xxF9		
	Ethernet board	A20B- 8100- 0450	xxE6		
	DeviceNet board	A20B- 8100- 0490	xxEF		
	PROFIBUS master board	A20B- 8100- 0470	xxFC		
	PROFIBUS slave board	A20B- 8100- 0440	xxE3		
FL- net board	A20B- 8100- 0530	xx59			
Back panel	Back panel	A20B- 2002- 0850	—	1 slot	
		A20B- 2002- 0800	—	3 slots	
Distributed I/O	Operator's panel I/O module	A20B- 2002- 0470	—	Matrix DI supported With MPG interface	
		A20B- 2002- 0520	—	General- purpose DI input With MPG interface	
		A20B- 2002- 0521	—	General- purpose DI input Without MPG inter- face	
	Connector panel I/O module	Basic	A20B- 2100- 0150	—	
		Expansion	A20B- 2100- 0410	—	With MPG interface
			A20B- 2100- 0411	—	Without MPG inter- face
			A20B- 2100- 0320	—	DO only
			A20B- 2100- 0190	—	Analog input

## Control Unit Printed Circuit Boards (cont.)

Type	Module	Renewal Part No.	ID	Remarks	
Others	LCD control printed circuit board	A20B- 8100- 0410	—		
	Inverter	A20B- 2002- 0500	—	Color	
		A20B- 8001- 0920	—		
		A20B- 2002- 0480	—	Monochrome	
		A20B- 8001- 0910	—		
	Operator's panel connection unit	(64/32)	A16B- 2200- 0661	—	Sink output
		(96/64)	A16B- 2200- 0660	—	Sink output
		(64/32)	A16B- 2202- 0731	—	Source output
		(96/64)	A16B- 2202- 0730	—	Source output
	Machine operator's panel interface unit	A16B- 2201- 0110	—		
	Touch panel control board	A20B- 8001- 0620	—		
	PCB for separate detector interface unit	A20B- 2100- 0270	—		
	HSSB board on the personal computer side	A20B- 8001- 0583	—	For 1 channel	
		A20B- 8001- 0581	—	For 1 channel (old)	
		A20B- 8001- 0582	—	For 2 channels	
		A20B- 8001- 0580	—	For 2 channels (old)	
		A20B- 8100- 0100	—	Old PCB	

## LCD/MDI Units

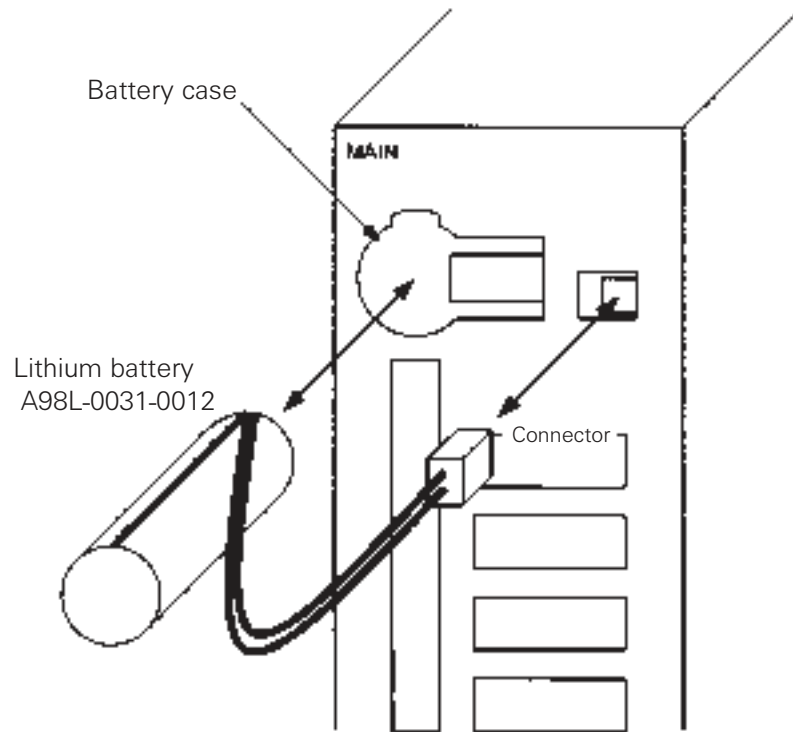
Module		Renewal Part No.	Remarks	
9.5" monochrome LCD unit		A20B- 0265- C061		
9.5" monochrome LCD unit		A20B- 0265- C066	Character only	
10.4" color LCD unit		A20B- 0265- C071		
10.4" color LCD unit		A20B- 0265- C081	With touch panel	
For display link	7.2" monochrome LCD unit		A02B- 0166- C251	
	7.2" monochrome LCD/MDI unit	T series	A02B- 0166- C261#TR	Alphabetic keys
			A02B- 0166- C261#TS	Symbolic keys
		M series	A02B- 0166- C261#R	Alphabetic keys
			A02B- 0166- C261#S	Symbolic keys
	Detachable 7.2" monochrome LCD/MDI unit	T series	A02B- 0166- C271#TR	Alphabetic keys
			A02B- 0166- C271#TS	Symbolic keys
		M series	A02B- 0166- C271#R	Alphabetic keys
			A02B- 0166- C271#S	Symbolic keys
	Stand- alone type MDI	T series	A02B- 0166- C210#TR	Alphabetic keys
			A02B- 0166- C210#TS	Symbolic keys
		M series	A02B- 0166- C210#R	Alphabetic keys
			A02B- 0166- C210#S	Symbolic keys
	Stand- alone type MDI standard key (landscape type)		T series	A02B- 0236- C125#TBR
A02B- 0236- C125#TBS				Symbolic keys
M series			A02B- 0236- C125#MBR	Alphabetic keys
			A02B- 0236- C125#MBS	Symbolic keys
Stand- alone type MDI standard key (portrait type)		T series	A02B- 0236- C126#TBR	Alphabetic keys
			A02B- 0236- C126#TBS	Symbolic keys
		M series	A02B- 0236- C126#MBR	Alphabetic keys
			A02B- 0236- C126#MBS	Symbolic keys

## Other Units

Module		Renewal Part No.	Remarks
Separate detector interface unit	4 basic axes	A02B- 0236- C203	
	4 additional axes	A02B- 0236- C204	
Connector panel I/O module	Basic module	A03B- 0815- C001	
	Expansion module	A03B- 0815- C002	With MPG interface
		A03B- 0815- C003	Without MPG interface
		A03B- 0815- C004	2A DO
		A03B- 0815- C005	Analog input
Distributed I/O machine operator's panel	Compact type	A02B- 0236- C141#xx	DI = 24, with MGP interface
	Standard type	A02B- 0236- C140#xx	DI = 24, with MGP interface
	290- mm wide	A02B- 0236- C150#xx	DI = 24, with MGP interface
Spindle connection adapter		A13B- 0180- B001	
Fan unit	For 1 slot	A02B- 0265- C101	
	For 2 slots	A02B- C260- C021	

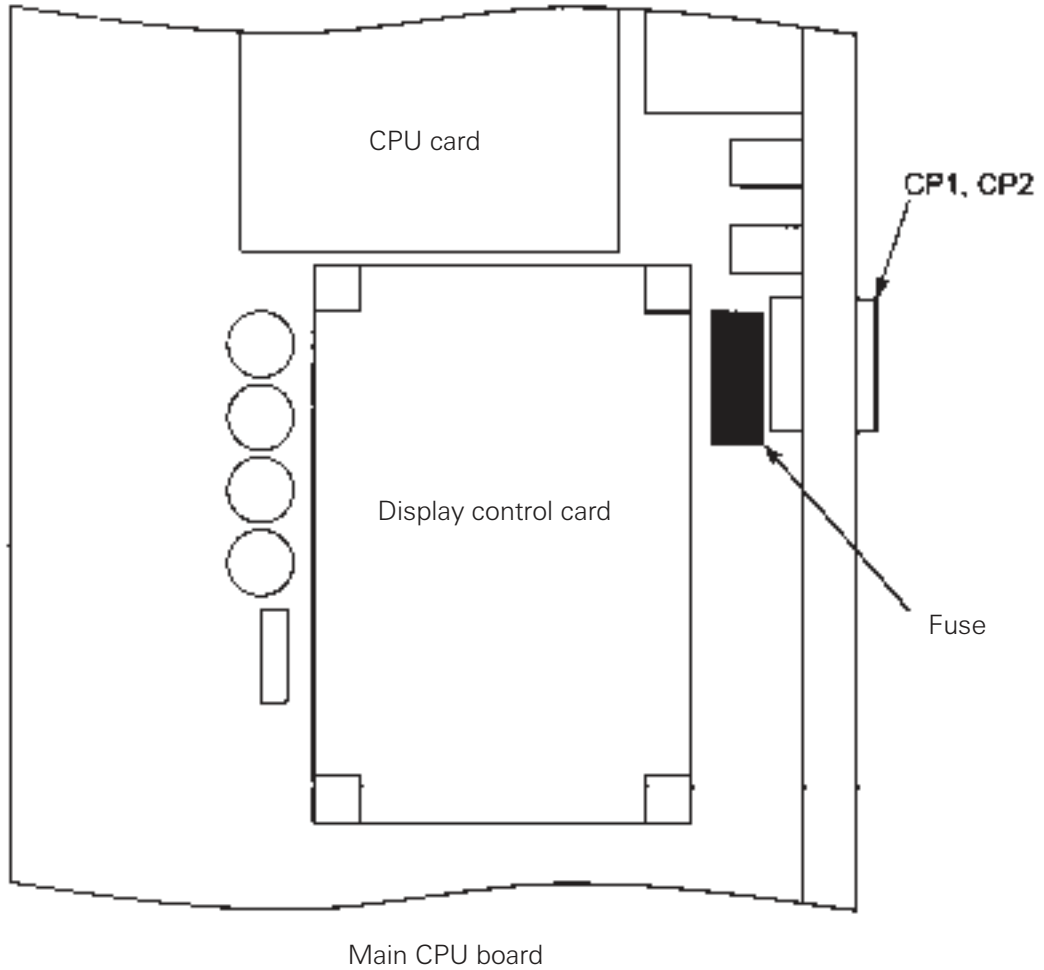


Batteries



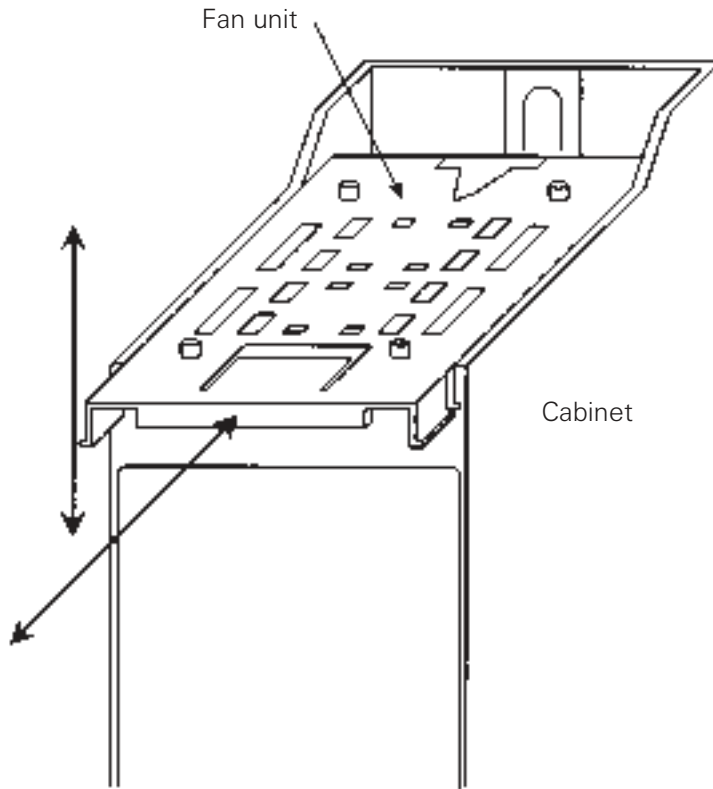
# Fuses

System Part No.	Rating	Renewal Part No.
A02B- 0265- K100	7.5A	A60L- 0001- 0046#7.5

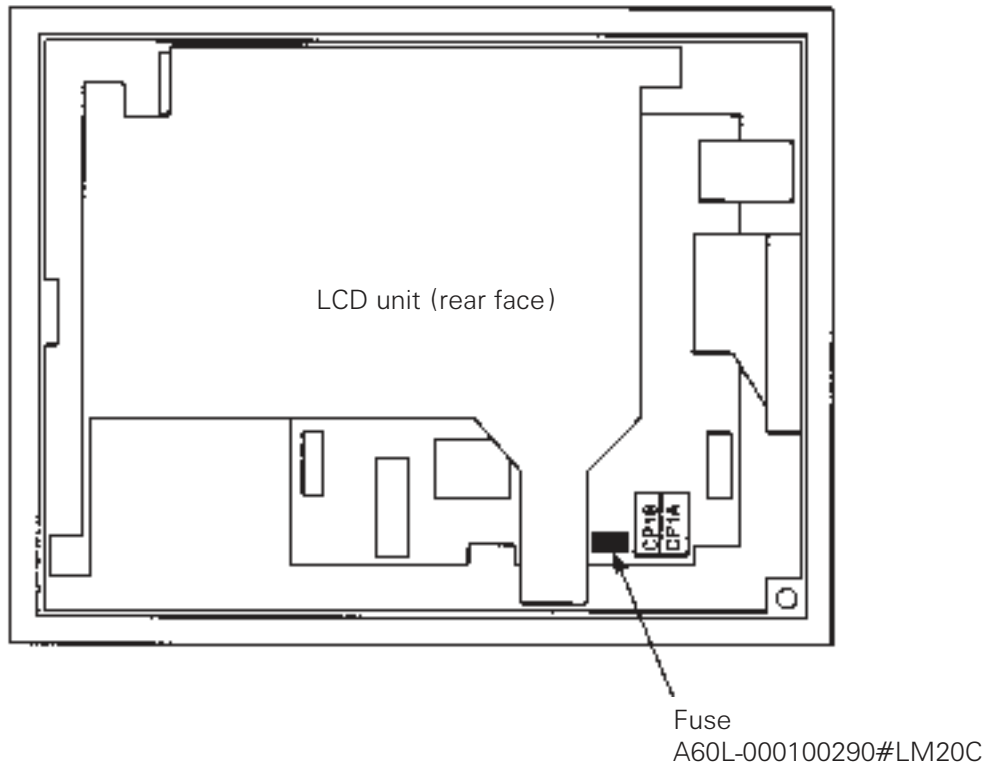


# Fans

	Renewal Part No.	Quantity
For 1-slot cabinet	A02B-0265-C101	1
For 2-slot cabinet	A02B-0260-C021	1



## LCD Unit Fuse

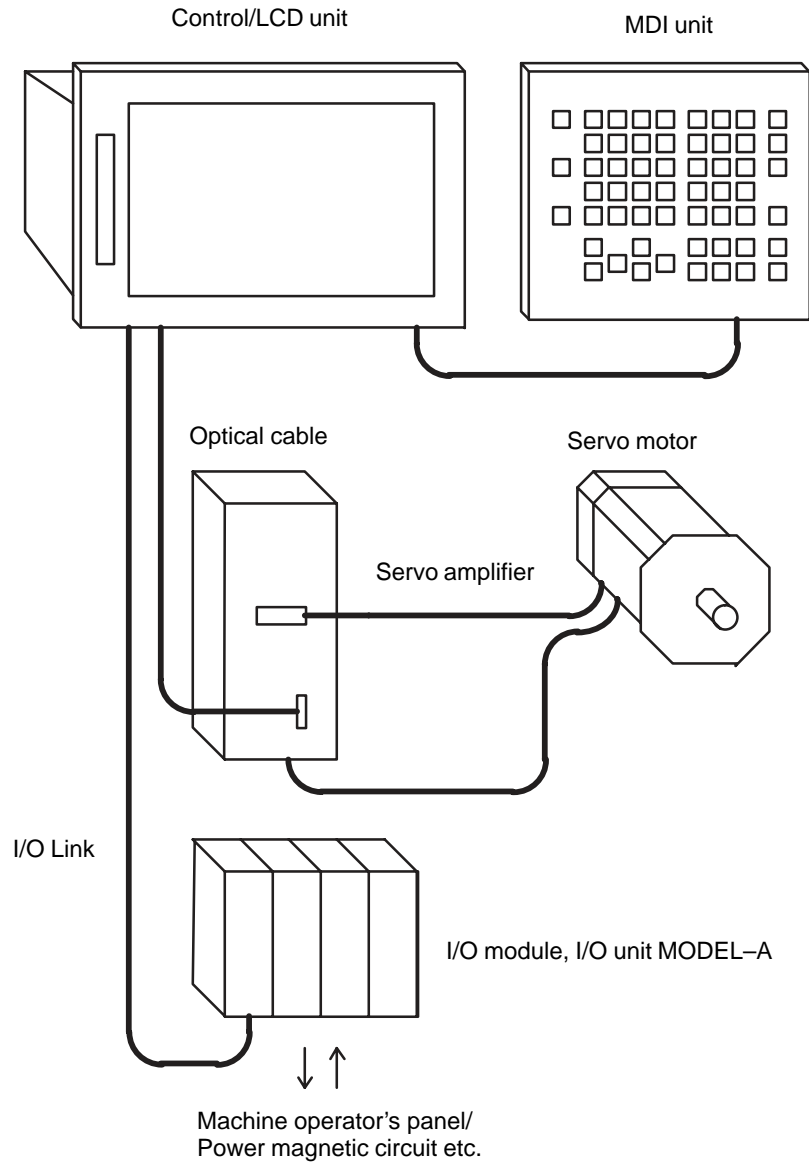


## LCD Backlight

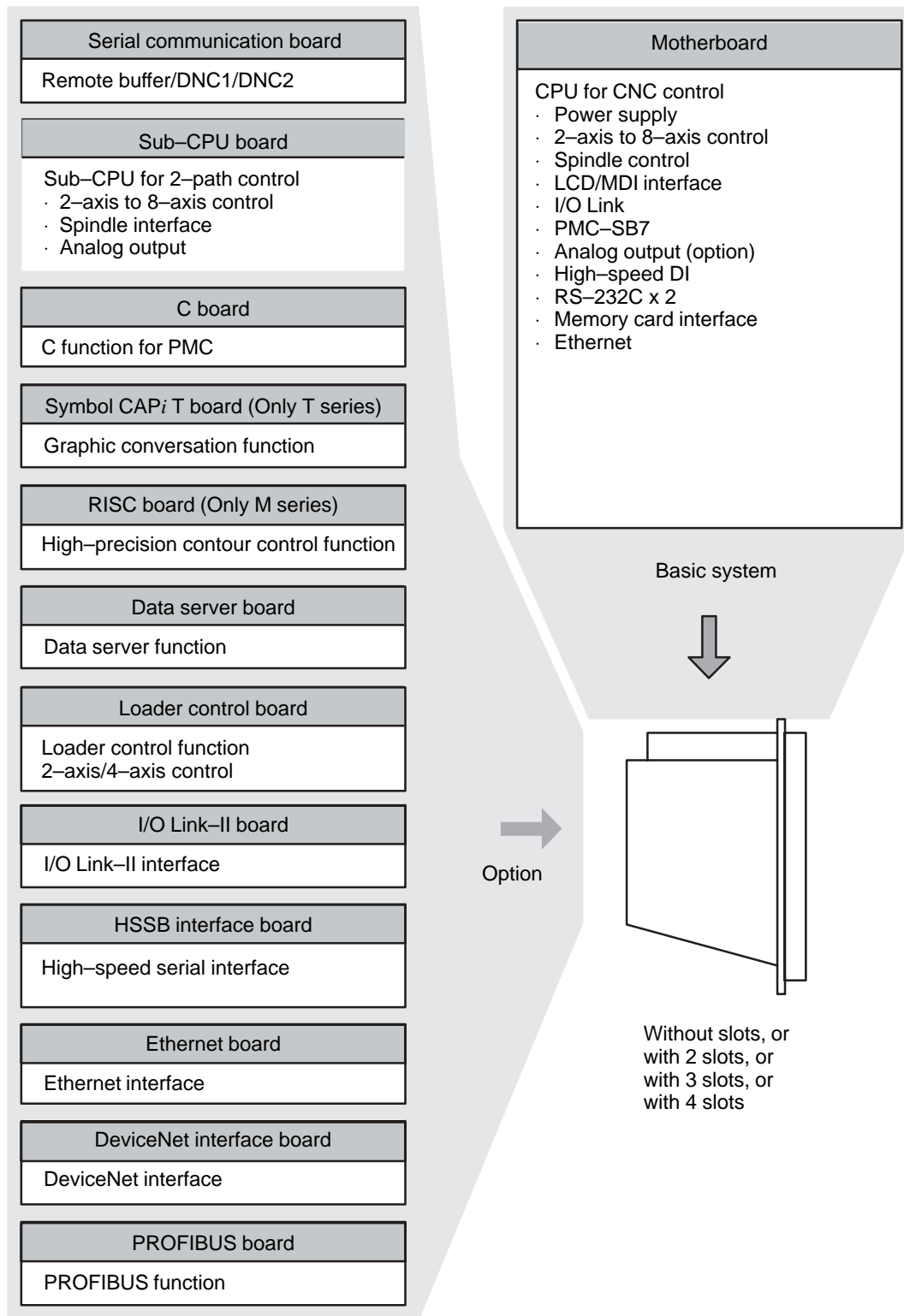
Backlight	System Part No.	Renewal Part No.
For 9.5" LCD	A02B-0236-K114	A61L-0001-0154#BL
For high-intensity 10.4" LCD	A02B-0236-K116	A61L-0001-0168#BL

# Series 16i/18i/21i LCD Model B Part Numbers

## Hardware Structure

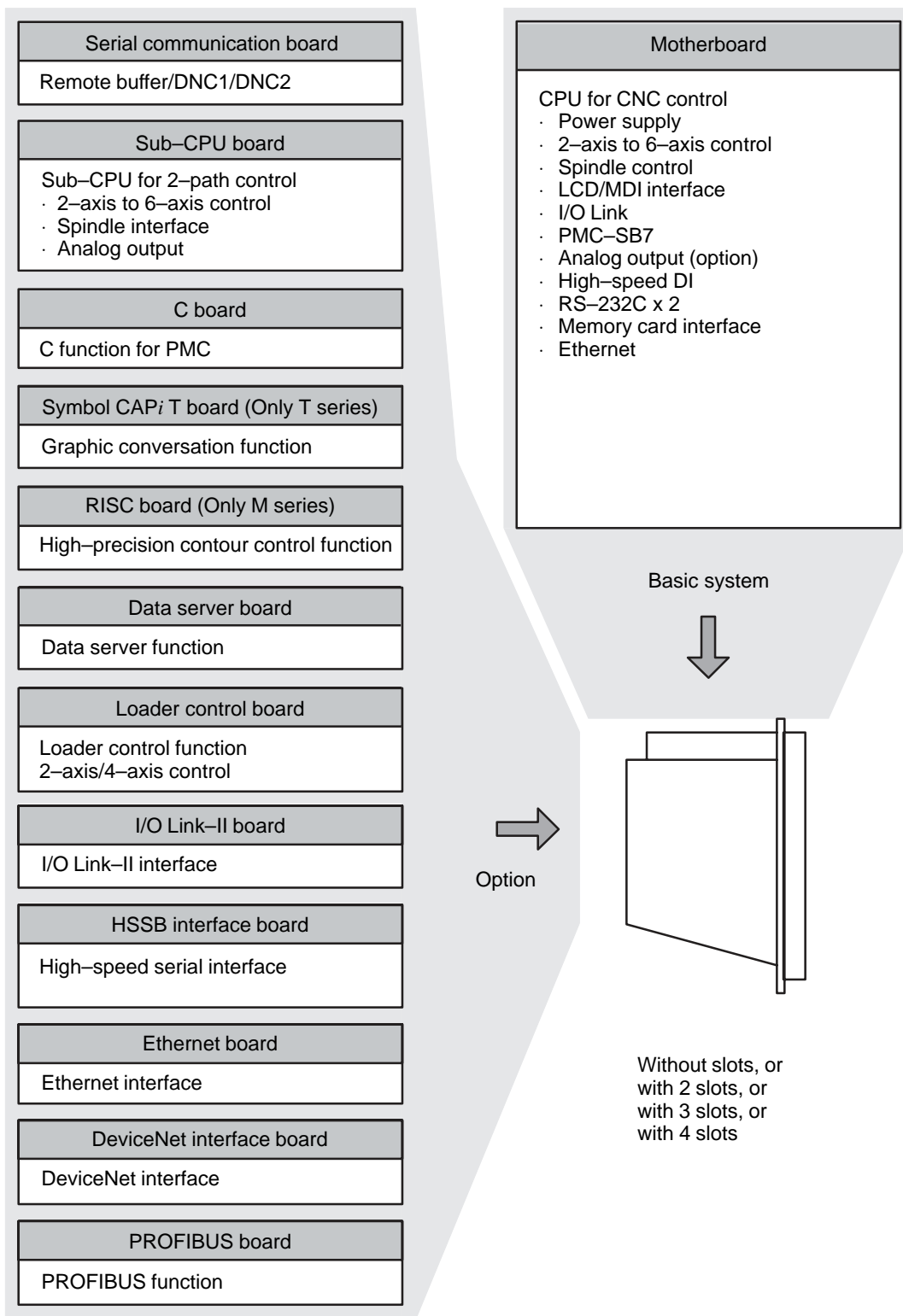


# System Structure 16i/160i/160iS



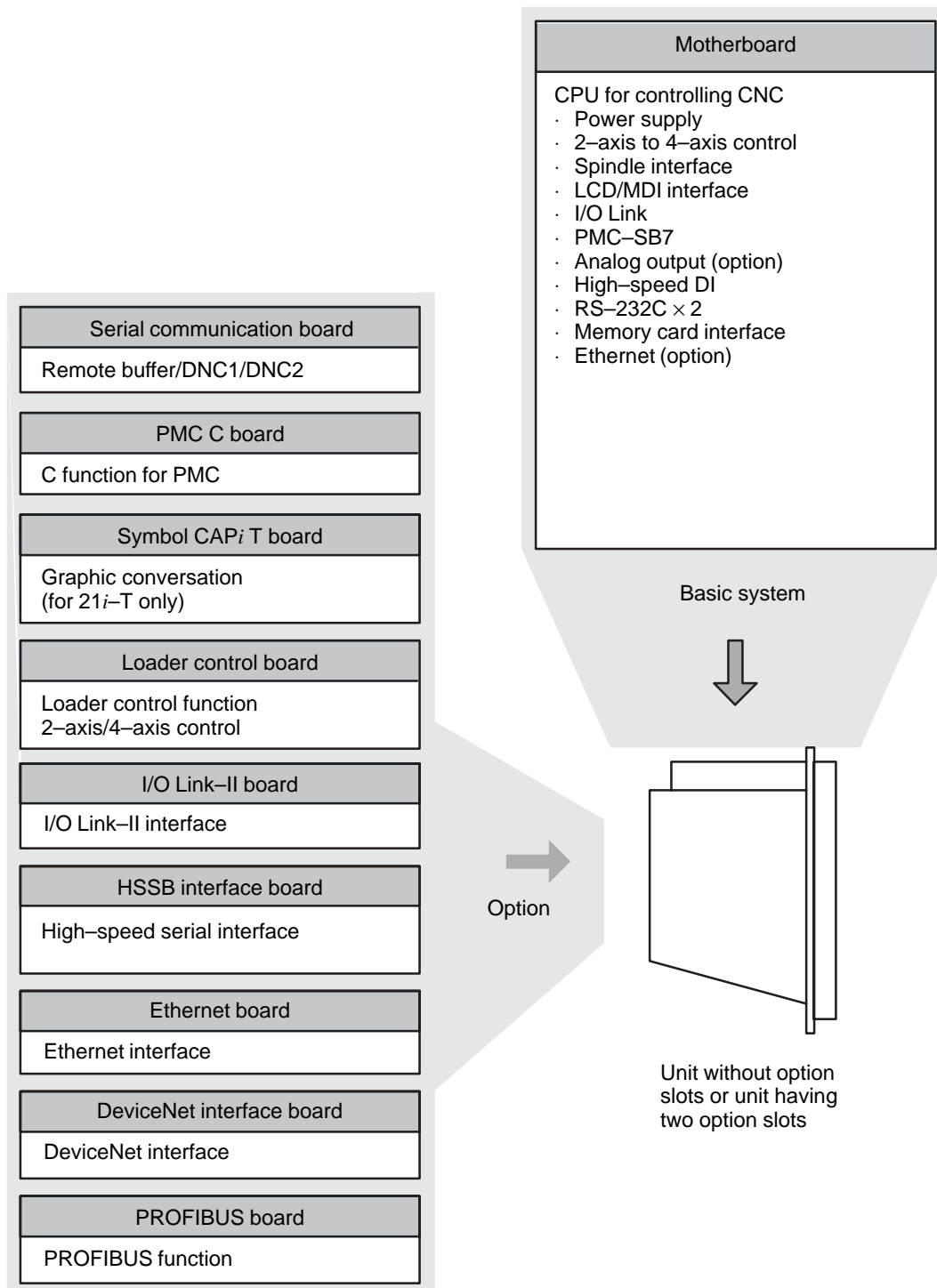
On a unit with option slots, as many option boards as the number of option slots can be mounted. However, some option slots accept only specific option boards.

# System Structure 18i/180i/180iS



On a unit with option slots, as many option boards as the number of option slots can be mounted. However, some option slots accept only specific option boards.

# System Structure 21i/210i/210iS



On a unit with option slots, as many option boards as the number of option slots can be mounted. However, some option slots accept only specific option boards.



## Basic Units

Model	Module	Renewal Part No.	Remarks
16i	Basic Unit (No slot)	A02B-0281-B500	
	Basic Unit (2 slots)	A02B-0281-B502	
	Basic Unit (3 slots)	A02B-0281-B503	
	Basic Unit (4 slots)	A02B-0281-B504	
18i	Basic Unit (No slot)	A02B-0283-B500	
		A02B-0297-B500	For 18i-MB5
	Basic Unit (2 slots)	A02B-0283-B502	
		A02B-0297-B502	For 18i-MB5
	Basic Unit (3 slots)	A02B-0283-B503	
		A02B-0297-B503	For 18i-MB5
	Basic Unit (4 slots)	A02B-0283-B504	
		A02B-0297-B504	For 18i-MB5
21i	Basic Unit (No slot)	A02B-0285-B500	
	Basic Unit (2 slots)	A02B-0285-B502	
All models	Case (No slot)	A02B-0236-D100#0C	
	Case (2 slots)	A02B-0236-D100#2C	
	Case (3 slots)	A02B-0236-D100#3C	
	Case (4 slots)	A02B-0236-D100#4C	

## Display Units

Model	Module	Renewal Part No.	Remarks
All models	10.4" color LCD	A02B-0281-D500	
	10.4" color LCD	A02B-0281-D501	With a touch panel
	9.5" monochrome LCD	A02B-0281-D502	
	8.4" color LCD	A02B-0281-D503	
	7.2" monochrome LCD	A02B-0281-D504	

FANUC CNC Parts



## MDI Units

Model	Module	Renewal Part No.	Remarks
All models	T series/English/Small keyboard Horizontal type, 200 × 140mm	A02B-0281-C120#TBR	
	T series/English/Standard keyboard Vertical/horizontal type, 200 × 260mm	A02B-0281-C121#TBR	
	T series/English/Standard keyboard Horizontal type, 220 × 230mm	A02B-0281-C125#TBR	
	T series/English/Standard keyboard Vertical type, 220 × 290mm	A02B-0281-C126#TBR	
	M series/English/Small keyboard Horizontal type, 200 × 140mm	A02B-0281-C120#MBR	
	M series/English/Standard keyboard Vertical/horizontal type, 200 × 260mm	A02B-0281-C121#MBR	
	M series/English/Standard keyboard Horizontal type, 220 × 230mm	A02B-0281-C125#MBR	
	M series/English/Standard keyboard Vertical type, 220 × 290mm	A02B-0281-C126#MBR	
	61 full/English keyboard Horizontal type, 220 × 230mm	A02B-0261-C162#MCR	
	61 full/English keyboard Vertical type, 220 × 290mm	A02B-0261-C161#MCR	
	CAPi T/English keyboard Horizontal type, 220 × 230mm	A02B-0281-C125#TFBR	
	CAPi T/English keyboard Vertical type, 220 × 290mm	A02B-0281-C126#TFBR	
	T series/Symbol/Small keyboard Vertical type, 200 × 140mm	A02B-0281-C120#TBS	
	T series/Symbol/Standard keyboard Vertical/horizontal type, 200 × 260mm	A02B-0281-C121#TBS	
	T series/Symbol/Standard keyboard Horizontal type, 220 × 230mm	A02B-0281-C125#TBS	
	T series/Symbol/Standard keyboard Vertical type, 220 × 290mm	A02B-0281-C126#TBS	
	M series/Symbol/Small keyboard Horizontal type, 200 × 140mm	A02B-0281-C120#MBS	
	M series/Symbol/Standard keyboard Vertical/horizontal type, 200 × 260mm	A02B-0281-C121#MBS	
	M series/Symbol/Standard keyboard Horizontal type, 220 × 230mm	A02B-0281-C125#MBS	
	M series/Symbol/Standard keyboard Vertical type, 220 × 290mm	A02B-0281-C126#MBS	
	61 full/Symbol keyboard Horizontal type, 220 × 230mm	A02B-0261-C162#MCS	
	61 full/Symbol keyboard Vertical type, 220 × 290mm	A02B-0261-C161#MCS	
	CAPi T/Symbol keyboard Horizontal type, 220 × 230mm	A02B-0281-C125#TFBS	
	CAPi T/Symbol keyboard Vertical type, 220 × 290mm	A02B-0281-C126#TFBS	

## Printed Circuit Boards

Module	Renewal Part No.	ID	Remarks
Motherboard for 16i	A20B-8100-0660	3x08	
Motherboard for 18i	A20B-8100-0661	3x09	
Motherboard for 21i (without Ethernet function, PMCSA1)	A20B-8100-0662	0x0A	
Motherboard for 21i (without Ethernet function, PMCSB7)	A20B-8100-0663	1x0A	
Motherboard for 21i (with Ethernet function, PMCSA1)	A20B-8100-0664	2x0A	
Motherboard for 21i (with Ethernet function, PMCSB7)	A20B-8100-0665	3x0A	
CPU card (16i/18i, DRAM 16MB)	A20B-3300-0310	CPU: 11 DRAM: A9	
CPU card (16i/18i, DRAM 32MB)	A20B-3300-0311	CPU: 11 DRAM: AA	
CPU card (21i, DRAM 16MB)	A20B-3300-0312	CPU: 11 DRAM: A9	When the embedded Ethernet function is used with 21i.
CPU card (21i, DRAM 32MB)	A20B-3300-0313	CPU: 11 DRAM: AA	When the embedded Ethernet function is used with 21i.
CPU card (21i, DRAM32MB)	A20B-3300-0290	CPU: 09 DRAM: 8A	
CPU card (21i, DRAM16MB)	A20B-3300-0291	CPU: 09 DRAM: 89	Used also for the loader control board
CPU card (standard type for RISC board)	A20B-3300-0102	0A	
CPU card (high-speed type for RISC board)	A17B-3300-0400	0A	
Display control card (10.4" color LCD, graphic function, embedded Ethernet function)	A20B-3300-0280	0C	
Display control card (8.4" color LCD, graphic function, embedded Ethernet function)	A20B-3300-0281	08	
Display control card (9.5" monochrome LCD, graphic function, embedded Ethernet function)	A20B-3300-0282	04	

## Printed Circuit Boards (cont.)

Module	Renewal Part No.	ID	Remarks
Display control card (7.2" monochrome LCD, graphic function, embedded Ethernet function)	A20B-3300-0283	00	
Display control card (9.5" monochrome LCD, embedded Ethernet function)	A20B-3300-0300	07	
Display control card (7.2" monochrome LCD, embedded Ethernet function)	A20B-3300-0301	03	
Display control card (9.5" monochrome LCD)	A20B-3300-0302	07	
Display control card (7.2" monochrome LCD)	A20B-3300-0303	03	
Axis control card (2 axes)	A20B-3300-0033	00	Applicable servo software: Series 9090 21i, Loader control
Axis control card (4 axes)	A20B-3300-0032	01	Applicable servo software: Series 9090 21i, Loader control
Axis control card (2 axes)	A20B-3300-0243	08	Applicable servo software: Series 90B0
Axis control card (4 axes)	A20B-3300-0242	08	Applicable servo software: Series 90B0
Axis control card (6 axes)	A20B-3300-0241	08	Applicable servo software: Series 90B0
Axis control card (8 axes)	A20B-3300-0240	08	Applicable servo software: Series 90B0
Axis control card (4 axes, high-speed HRV)	A20B-3300-0248	08	Applicable servo software: Series 90B0
Axis control card (6 axes, high-speed HRV)	A20B-3300-0245	08	Applicable servo software: Series 90B0
Axis control card (8 axes, high-speed HRV)	A20B-3300-0244	08	Applicable servo software: Series 90B0
Axis control card (Learning-control axis control)	A20B-3300-0246	08	Applicable servo software: Series 90B3/90B7
Axis control card (Learning-control axis control, high-speed HRV)	A20B-3300-0247	08	Applicable servo software: Series 90B3/90B7
Power supply unit	A20B-8100-0720	-	
FROM/SRAM module (FROM 16MB, SRAM 1MB)	A20B-3900-0160	FROM: C1 SRAM: 03	
FROM/SRAM module (FROM 16MB, SRAM 2MB)	A20B-3900-0161	FROM: C1 SRAM: 04	

## Printed Circuit Boards (cont.)

Module	Renewal Part No.	ID	Remarks
FROM/SRAM module (FROM 32MB, SRAM 1MB)	A20B-3900-0163	FROM: C2 SRAM: 03	
FROM/SRAM module (FROM 32MB, SRAM 2MB)	A20B-3900-0164	FROM: C2 SRAM: 04	
FROM/SRAM module (FROM 32MB, SRAM 3MB)	A20B-3900-0165	FROM: C2 SRAM: 05	
FROM/SRAM module (FROM 16MB, SRAM 256kB)	A20B-3900-0180	FROM: C1 SRAM: 01	
FROM/SRAM module (FROM 16MB, SRAM 512kB)	A20B-3900-0181	FROM: C1 SRAM: 02	
FROM/SRAM module (FROM 32MB, SRAM 256kB)	A20B-3900-0182	FROM: C2 SRAM: 01	
FROM/SRAM module (FROM 32MB, SRAM 512kB)	A20B-3900-0183	FROM: C2 SRAM: 02	
Analog spindle module	A20B-3900-0170	-	
DRAM module (4MB)	A20B-3900-0042	85	For option board
PMC-RE board	A20B-8100-0150	1xCD	
C language board	A20B-8100-0261	0xCD	
Serial communication board A	A20B-8100-0262	2xCD	Remote buffer/DNC2
Serial communication board B	A20B-8100-0263	3xCD	DNC1
Symbol CAP i T board	A20B-8100-0264	4xCD	
Sub CPU board	A20B-8002-0190	1xCE	
RISC board	A20B-8002-0040	xxCA	
DATA SERVERboard	A20B-8100-0271	3xDB	
ADD-ON board	A20B-2002-0960	-	
Loader control board	A20B-8100-0830	1xD3	
HSSB interface board	A20B-8001-0641	ExAA	
I/O Link-II board	A20B-8100-0250	0x95	
PROFIBUS board	A20B-8100-0430	0xBB	
ADD-ON board	A20B-2100-0430	-	
Ethernet board	A20B-8100-0271	3xDB	10BASE-T
DeviceNet interface board	A20B-8001-0880	1xF3	
Backpanel (2 slots)	A20B-2003-0150	-	
Backpanel (3 slots)	A20B-2003-0230	-	
Backpanel (4 slots)	A20B-2003-0240	-	

## Printed Circuit Boards (cont.)

Module	Renewal Part No.	ID	Remarks
Inverter (for 9.5"/7.2" monochrome LCD)	A20B-8100-0710	-	
Inverter (for 10.4" color LCD)	A20B-8001-0920	-	
Inverter (for 8.4" color LCD)	A20B-8001-0922	-	
PC-side HSSB interface board (2CH, applicable to ISA bus)	A20B-8001-0582	-	
PC-side HSSB interface board (1CH, applicable to ISA bus)	A20B-8001-0583	-	
PC-side HSSB interface board (2CH, applicable to PCI bus)	A20B-8001-0960	-	
PC-side HSSB interface board (1CH, applicable to PCI bus)	A20B-8001-0961	-	
Touch panel control board	A20B-8001-0620	-	

## I/O

Module	Renewal Part No.	Remarks
Distributed I/O connector panel I/O module A1	A20B-2002-0470	DI/DO= 72/56 DI=general 16, matrix 56, with MPG interface
Distributed I/O connector panel I/O module B1	A20B-2002-0520	DI/DO=48/32, with MPG interface
Distributed I/O connector panel I/O module B2	A20B-2002-0521	DI/DO=48/32
Distributed I/O connector panel I/O basic module	A03B-0815-C001	DI/DO=24/16
Distributed I/O connector panel I/O expansion module A	A03B-0815-C002	DI/DO=24/16, with MPG interface
Distributed I/O connector panel I/O expansion module B	A03B-0815-C003	DI/DO: 24/16
Distributed I/O connector panel I/O expansion module C	A03B-0815-C004	DO: 16 (2A output )
Distributed I/O connector panel I/O expansion module D	A03B-0815-C005	Analog input
Distributed I/O machine operator's panel (Small, Symbol keysheet)	A02B-0236-C141#TBS	DI=24, with MPG interface
Distributed I/O machine operator's panel (Small, English keysheet)	A02B-0236-C141#TBR	DI=24, with MPG interface
Distributed I/O machine operator's panel (Standard, Symbol keysheet)	A02B-0236-C140#TBS	DI=24, with MPG interface
Distributed I/O machine operator's panel (Standard, English keysheet)	A02B-0236-C140#TBR	DI=24, with MPG interface
Distributed I/O machine operator's panel (290mm-wide, Symbol keysheet)	A02B-0236-C150#TBS	DI=24, with MPG interface
Distributed I/O machine operator's panel (290mm-wide, English keysheet)	A02B-0236-C150#TBR	DI=24, with MPG interface
Main panel A machine operator's panel (Symbol keyboard)	A02B-0236-C230	With MDI
Main panel A1 machine operator's panel (English keyboard)	A02B-0236-C240	With MDI
Main panel B machine operator's panel (Symbol keyboard)	A02B-0236-C231	Without MDI
Main panel B1 machine operator's panel (English keyboard)	A02B-0236-C241	Without MDI
Sub panel A machine operator's panel	A02B-0236-C232	
Sub panel B machine operator's panel	A02B-0236-C233	
Sub panel B1 machine operator's panel	A02B-0236-C235	
Sub panel C machine operator's panel	A02B-0236-C234	
Operator's panel connector unit (Sink type output A)	A16B-2200-0661	DI/DO: 64/32
Operator's panel connector unit (Sink type output B)	A16B-2200-0660	DI/DO: 96/64
Operator's panel connector unit (Source type output A)	A16B-2202-0731	DI/DO: 64/32
Operator's panel connector unit (Source type output B)	A16B-2202-0730	DI/DO: 96/64
Machine operator's panel interface unit	A16B-2201-0110	
Loader I/O board	A02B-0236-C160	
Loader I/O board	A02B-0236-C161	Matrix supported
FANUC I/O Link-AS-i converter	A03B-0817-C001	

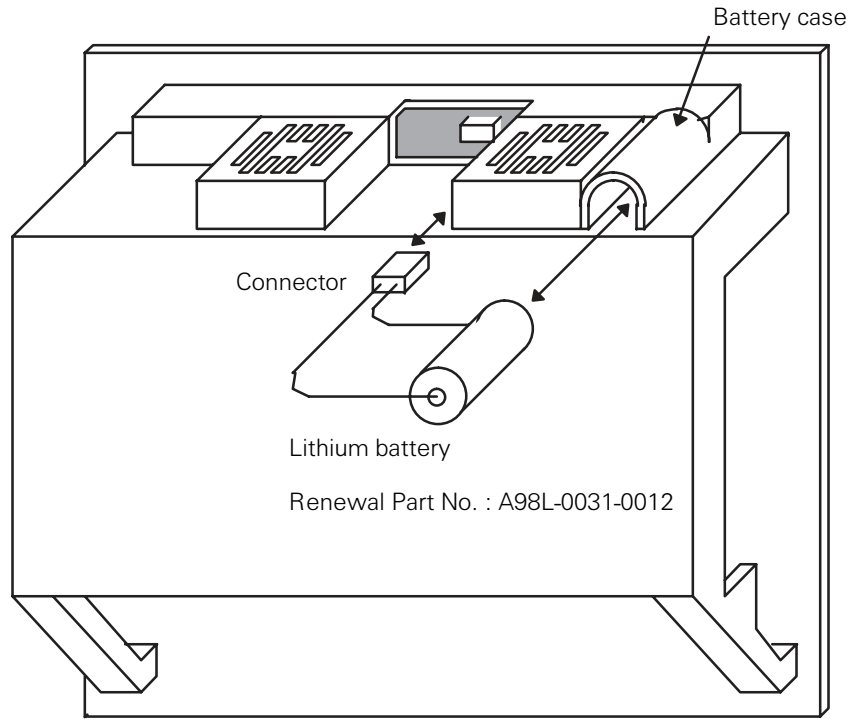
FANUC CNC Parts

## Other Units

Module	Renewal Part No.	Remarks
Separate detector interface unit (basic 4 axes)	A02B-0236-C205	
Separate detector interface unit (additional 4 axes)	A02B-0236-C204	
Spindle distributed adapter	A13B-0180-B001	
I/O Link distributed adapter	A20B-1007-0680	
Optical I/O Link adapter	A13B-0154-B001	



# Batteries



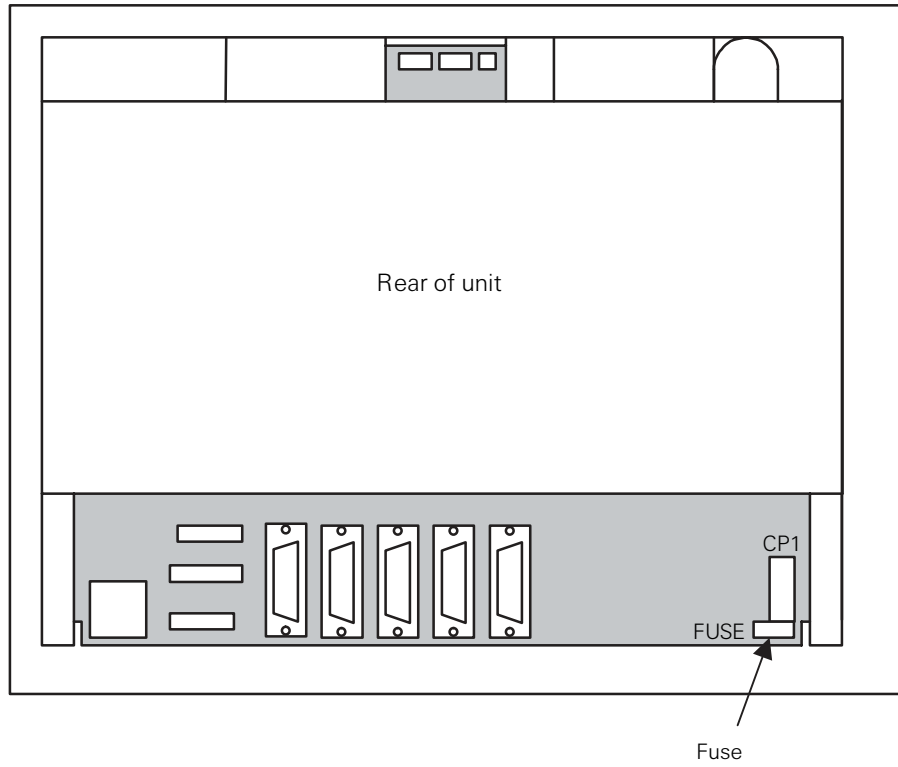
RENEWAL PARTS

2-166

# FANUC CNC Parts



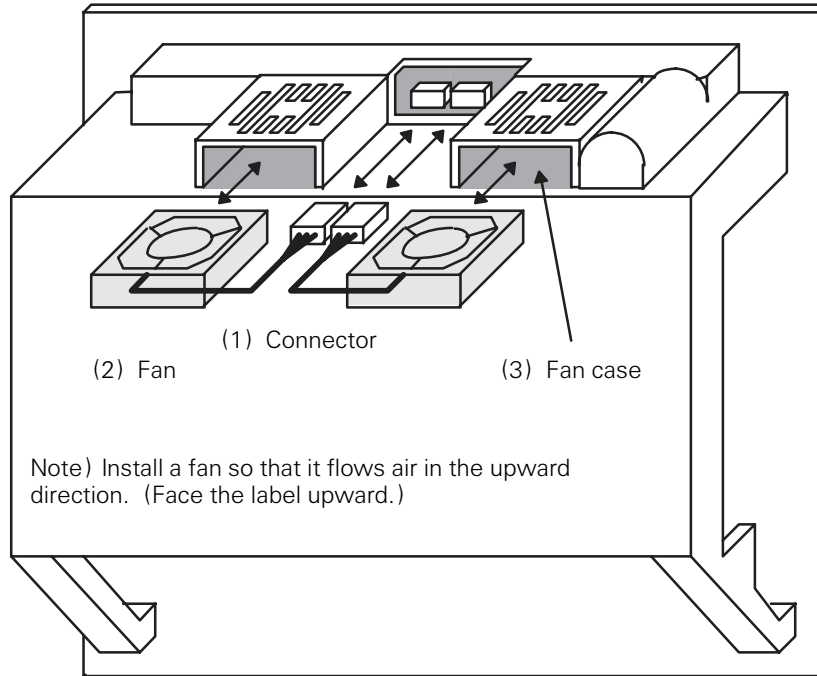
# Fuses



System Part No.	Rating	Renewal Part No.
A02B-0236-K100	5A	A60L-0001-0290#LM50C

RENEWAL PARTS  
2-167

# Fans



	Renewal Part No.	Required quantity
Unit with no option slot	A02B-0236-K120	2
Unit with 2 option slots	A02B-0281-K121	2
Unit with 3 option slots	A02B-0281-K121	2
	A02B-0236-K122	2
Unit with 4 option slots	A02B-0281-K121	4

## Backlights

Backlight		System Part No.	Renewal Part No.
For 7.2" LCD	Made by Hitachi	A02B-0236-K112	A61L-0001-0142#BL
	Made by Sharp		A61L-0001-0142#BLS
For 8.4" LCD		A02B-0236-K119	A61L-0001-0176#BL
For 9.5" LCD		A02B-0281-K114	A61L-0001-0154#BLC

### NOTE

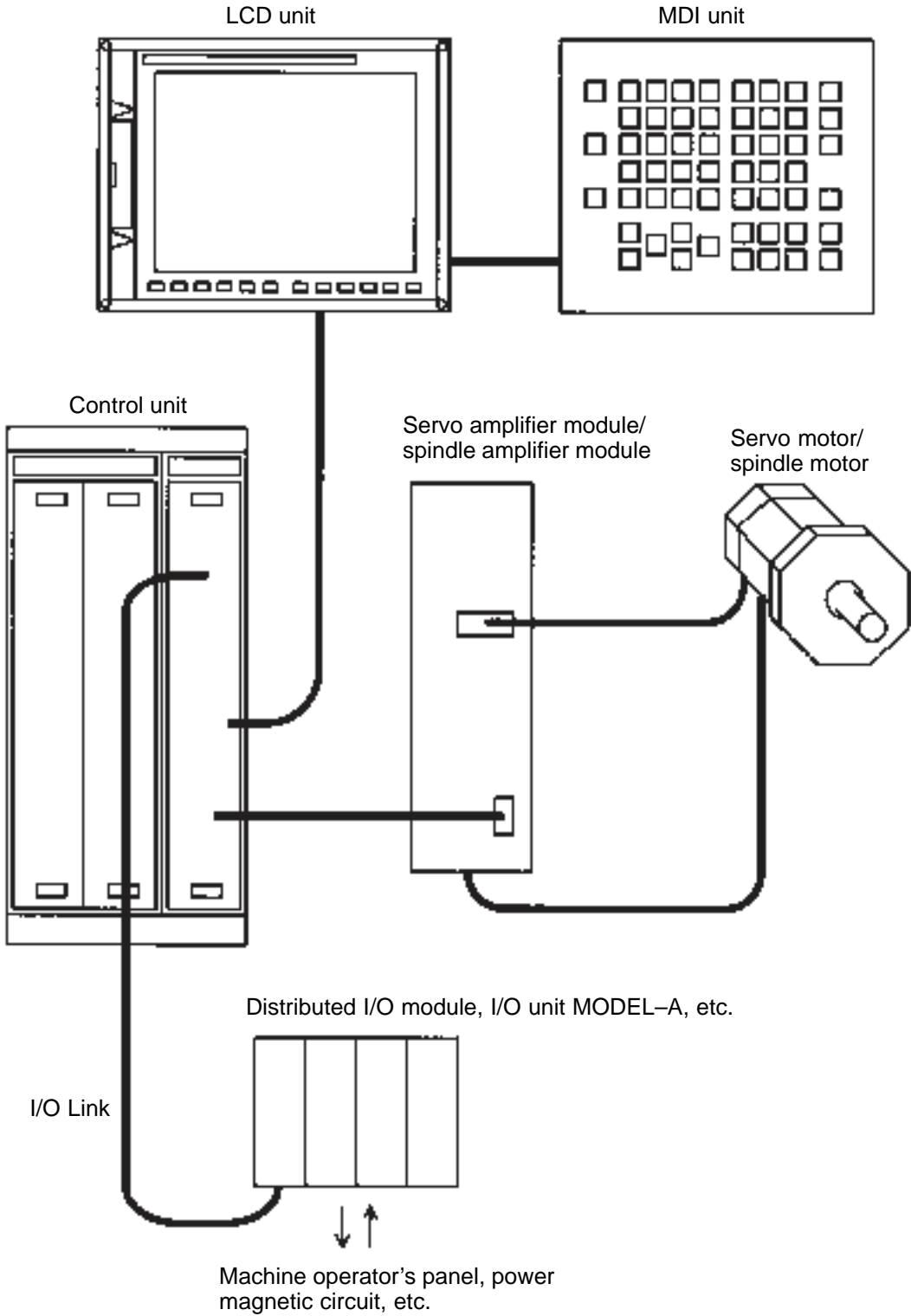
The back-light of the 10.4" color LCD cannot be replaced.

## Printed Circuit Boards Series 160iS/180iS/210iS

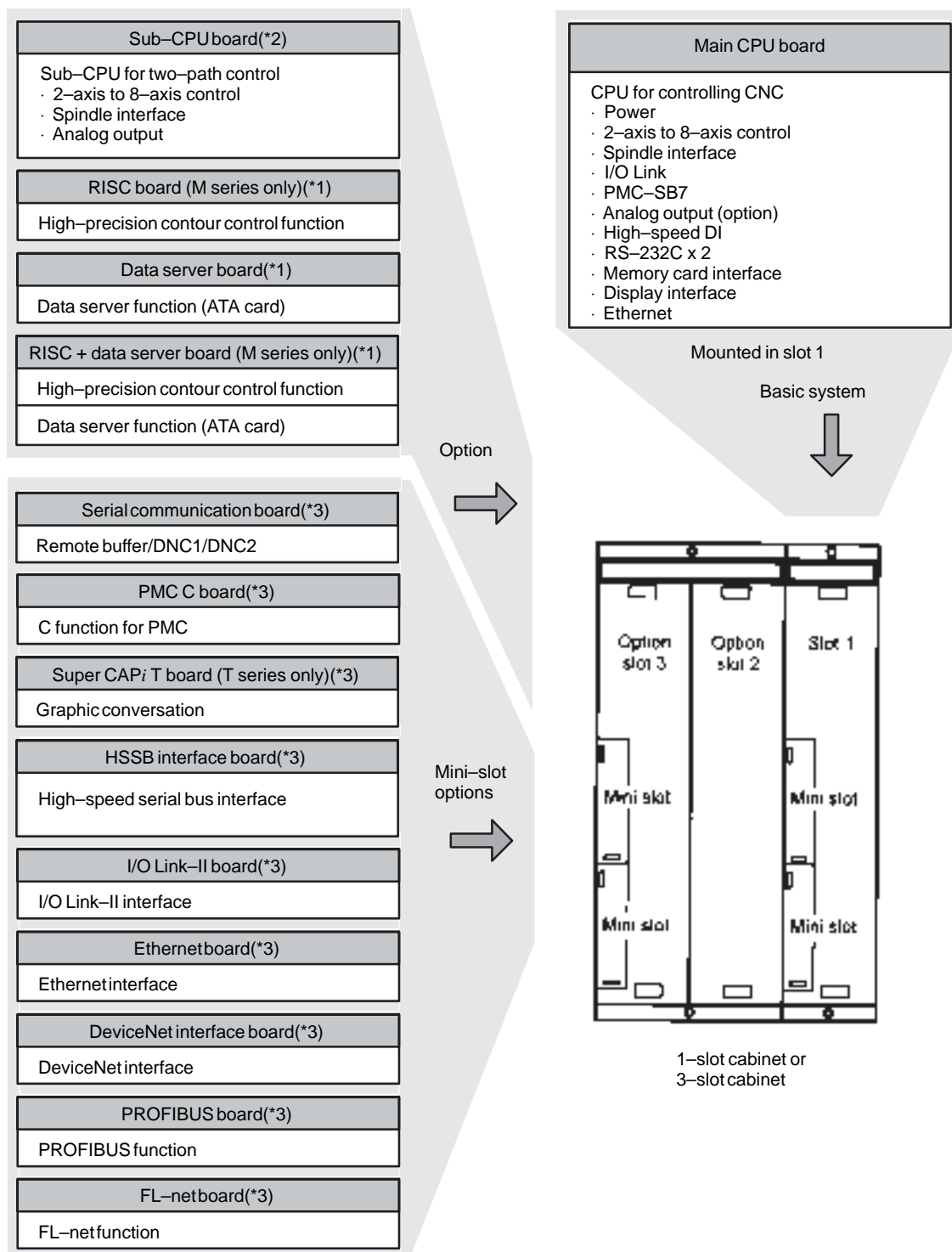
Module		Renewal Part No.	
Motherboard	160is	A20B-8100-0790	
	180is	A20B-8100-0791	
	210is (SA1)	A20B-8100-0794	
	210is (SB7)	A20B-8100-0795	
CE card	CE card 1	A20B-3300-0330	
	CE card 2	A20B-3300-0320	
Power supply unit		A20B-8100-0720	
Printed circuit board of Inverter		A20B-8001-0920	
Printed circuit board of backup unit		A20B-2100-0820	
LCD unit (10.4" LCD)	Soft keys	Touch panel	
	○	×	A02B-0281-D505
	×	○	A02B-0281-D506
	○	○	A02B-0281-D507
Case Unit	No slot	A02B-0281-C600	
	2 slots	A02B-0281-C602	
	3 slots	A02B-0281-C603	
	4 slots	A02B-0281-C604	
FA full-keyboard		A02B-0281-C130#E	
Compact flash card	32MB	A87L-0001-0173#32MBA	
	48MB	A87L-0001-0173#48MBA	
	64MB	A87L-0001-0173#64MB	
	96MB	A87L-0001-0173#96MB	
Cable for backup unit		A02B-0281-K801	
Cable for FA full-keyboard		A02B-0281-K802	

# Series 16i/18i/21i Standalone Model B Part Numbers

## Hardware Structure

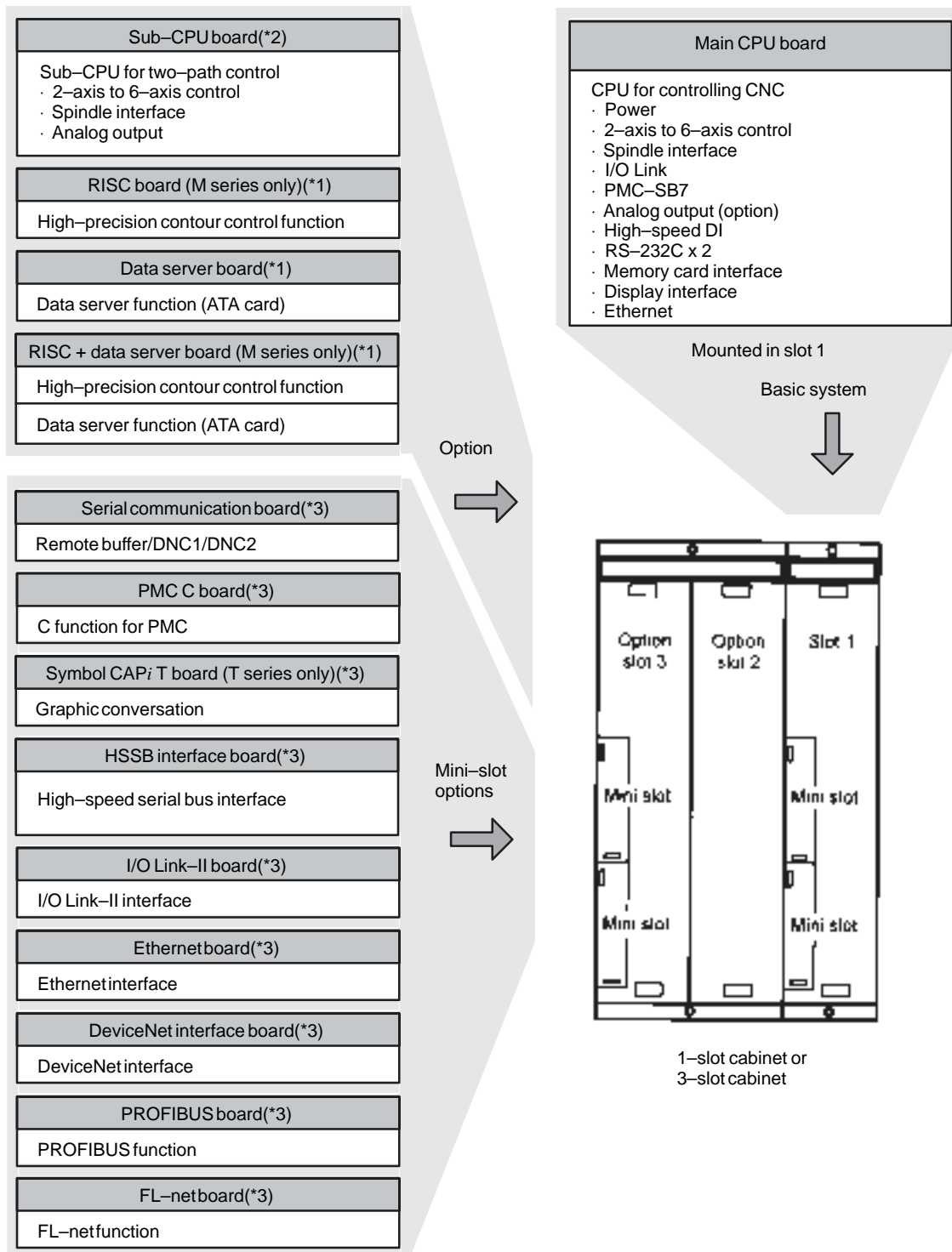


# System Structure 16i/160i/160iS



The mounting position of an option board depends on the board type, as shown below:  
 The option board marked with \*1 fits into option slot 2.  
 The option board marked with \*2 fits into option slot 3.  
 The option board marked with \*3 fits into a mini slot (of any slot).

# System Structure 18i/180i/180iS



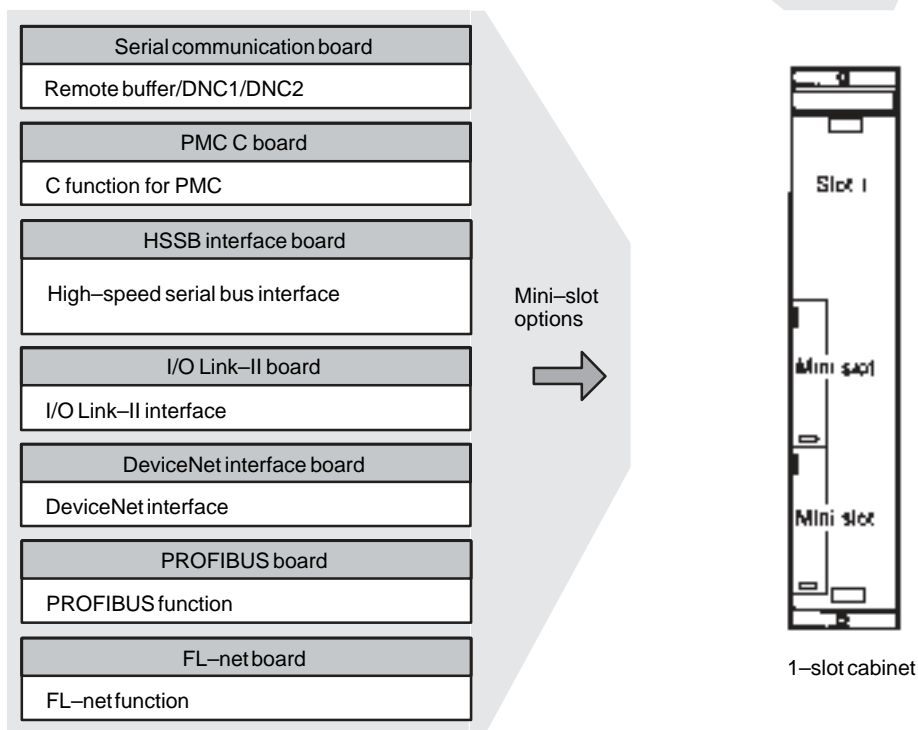
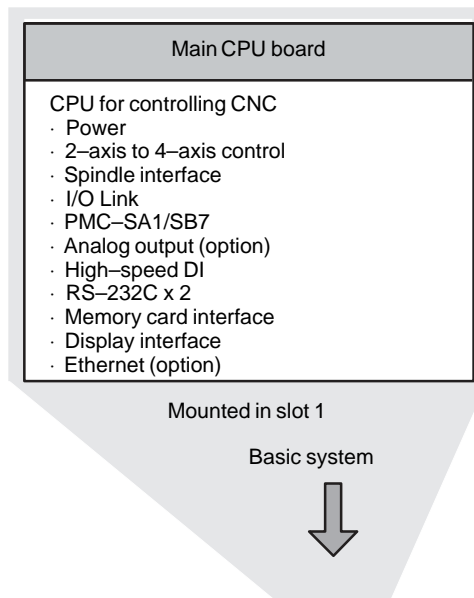
The mounting position of an option board depends on the board type, as shown below:  
 The option board marked with \*1 fits into option slot 2.  
 The option board marked with \*2 fits into option slot 3.  
 The option board marked with \*3 fits into a mini slot (of any slot).



# System Structure 21i/210i/210iS

RENEWAL PARTS

2-174



These option boards are mounted in mini slots (of any slot).

# FANUC CNC Parts



## Basic Units

Type	Module	Renewal Part No.	Remarks
16i/160i/ 160is	Basic unit with 1 slot	A02B-0281-B801	
	Basic unit with 3 slots	A02B-0281-B803	
18i/180i/ 180is	Basic unit with 1 slot	A02B-0283-B801	
		A02B-0297-B801	For 18i/180i/ 180is-MB5
	Basic unit with 3 slots	A02B-0283-B803	
		A02B-0297-B803	For 18i/180i/ 180is-MB5
21i/210i/ 210is	Basic unit with 1 slot	A02B-0285-B801	
	Basic unit with 3 slots	A02B-0285-B803	

## Printed Circuit Boards

Type	Module	Renewal Part No.	ID	Remarks
Master PCB	Main CPU board	A16B-3200-0420	3X0C	16i/160i/160is
		A16B-3200-0421	3X0D	18i/180i/180is
		A16B-3200-0425	3X0E	21i/210i/210is
Card PCB	CPU card	A20B-3300-0310	CPU: 11 DRAM: A9	16i/18i/160i/180i/ 160is/180is
		A20B-3300-0311	CPU: 11 DRAM: AA	16i/18i/160i/180i/ 160is/180is
		A20B-3300-0312	CPU: 11 DRAM: A9	21i/210i/210is When the embedded Ethernet is used
		A20B-3300-0313	CPU: 11 DRAM: AA	
		A20B-3300-0290	CPU: 09 DRAM: 8A	21i/210i/210is
		A20B-3300-0291	CPU: 09 DRAM: 89	21i/210i/210is
		A20B-3300-0102	0A	RISC board
		A17B-3300-0400	0A	

## Printed Circuit Boards (cont.)

Type	Module	Renewal Part No.	ID	Remarks		
Card PCB	Display control card	LCD/MDI	A20B-3300-0340	-		
		For CRT LINK	A20B-3300-0360	-		
		MDI only	A20B-3300-0362	-		
		No display	A20B-3300-0364	-		
		LCD/MDI	A20B-3300-0341	-	21i/210i/210is When the embedded Ethernet is not used	
		For CRT LINK	A20B-3300-0361	-		
		MDI only	A20B-3300-0363	-		
	Axis control card	2 axes	A20B-3300-0033	00	Servo software Series 9090, 21 i/ 210i/210is, Loader control	
		4 axes	A20B-3300-0032	01		
		2 axes	A20B-3300-0243	08	Servo software Series 90B0	
		4 axes	A20B-3300-0242	08		
		6 axes	A20B-3300-0241	08		
		8 axes	A20B-3300-0240	08		
		4 axes, High-speed HRV	A20B-3300-0248	08	Servo software Series 90B0	
		6 axes, High-speed HRV	A20B-3300-0245	08		
		8 axes, High-speed HRV	A20B-3300-0244	08		
		Learning controlled axis control	A20B-3300-0246	08	Servo software Series 90B3/90B7	
		Learning controlled axis control, High-speed HRV	A20B-3300-0247	08		
		Display control card (LCD unit side)	10.4" color	A20B-3300-0280	-	Graphic
			9.5" monochrome	A20B-3300-0282	-	Graphic
9.5" monochrome	A20B-3300-0302		-	Character only		
Power supply unit	Power supply unit	A02B-8100-0851	-			

*Printed Circuit Boards (cont.)*

Type	Module	Renewal Part No.	ID	Remarks
DIMM module	FROM/SRAM module	A20B-3900-0160	FROM: C1 SRAM: 03	FROM 16MB, SRAM 1MB
		A20B-3900-0161	FROM: C1 SRAM: 04	FROM 16MB, SRAM 2MB
		A20B-3900-0162	FROM: C1 SRAM: 05	FROM 16MB, SRAM 3MB
		A20B-3900-0163	FROM: C2 SRAM: 03	FROM 32MB, SRAM 1MB
		A20B-3900-0164	FROM: C2 SRAM: 04	FROM 32MB, SRAM 2MB
		A20B-3900-0165	FROM: C2 SRAM: 05	FROM 32MB, SRAM 3MB
		A20B-3900-0180	FROM: C1 SRAM: 01	FROM 16MB, SRAM 256kB
		A20B-3900-0181	FROM: C1 SRAM: 02	FROM 16MB, SRAM 512kB
		A20B-3900-0182	FROM: C2 SRAM: 01	FROM 32MB, SRAM 256kB
		A20B-3900-0183	FROM: C2 SRAM: 02	FROM 32MB, SRAM 512kB
	Analog spindle module	A20B-3900-0170		

## Printed Circuit Boards (cont.)

Type	Module	Renewal Part No.	ID	Remarks
Option PCB	Sub-CPU board	A16B-2203-0751	1xC0	
	Loader control board	A16B-2203-0740	1x97	
	RISC + data server board	A16B-3200-0390	0x81 3xF5	
	RISC board	A16B-3200-0391	0x81	
	Data server board	A16B-3200-0352	3xF5	
	ATA card adapter	A20B-2100-0500	–	For data server
	Serial communication board (RB/DNC2, CRS232C I/F)	A20B-8100-0334	1xE1	
	Serial communication board (RB/DNC2, CRS422 I/F)	A20B-8100-0335	2xE1	
	Serial communication board (DNC1)	A20B-8100-0336	3xE2	
	C board	A20B-8100-0330	xxE0	
	HSSB interface board	A20B-8001-0730	xxAA	
	Symbol CAPi T board	A20B-8100-0560	xx1F	
	I/O Link-II board	A20B-8100-0381	xxF9	
	Ethernet board	A20B-8100-0450	xxE6	
	DeviceNet board	A20B-8100-0491	xxEF	
	DeviceNet board C	A20B-8100-0650		
	PROFIBUS Master board	A20B-8100-0470	xxFC	
	PROFIBUS Slave board	A20B-8100-0440	xxE3	
FL-net board	A20B-8100-0530	xx59		
Back panel	Back panel	A20B-2003-0270	–	1 slot
		A20B-2003-0280	–	3 slots

## Printed Circuit Boards (cont.)

Type	Module		Renewal Part No.	ID	Remarks	
Distributed I/O	Operator's panel I/O module		A20B-2002-0470	–	Matrix DI supported With MPG interface	
			A20B-2002-0520	–	General-purpose DI input With MPG interface	
			A20B-2002-0521	–	General-purpose DI input Without MPG inter- face	
	Connector panel I/O module		Basic	A20B-2100-0150	–	
			Expansion	A20B-2100-0410	–	With MPG interface
				A20B-2100-0411	–	Without MPG inter- face
				A20B-2100-0320	–	DO only
				A20B-2100-0190	–	Analog input
Others	LCD control printed circuit board		A20B-8100-0820	–		
	Inverter		A20B-8001-0920	–	Color	
			A20B-8100-0710	–	Monochrome	
	Operator's panel connection unit		(64/32)	A16B-2200-0661	–	Sink output
			(96/64)	A16B-2200-0660	–	Sink output
			(64/32)	A16B-2202-0731	–	Source output
			(96/64)	A16B-2202-0730	–	Source output
	Machine operator's panel interface unit		A16B-2201-0110	–		
	Touch panel control board		A20B-8001-0620	–		
	PCB for separate detector interface unit		A20B-2100-0270	–		
	HSSB board on the personal computer side		A20B-8001-0583	–	For 1 channel, corre- sponding to ISA-bus	
			A20B-8001-0582	–	For 2 channels, cor- responding to ISA- bus	
			A20B-8001-0960	–	For 2 channels, cor- responding to PCI- bus	
			A20B-8001-0961	–	For 1 channel, corre- sponding to PCI-bus	

## LCD/MDI Units

Module		Renewal Part No.	Remarks	
9.5" monochrome LCD unit		A02B-0281-C061		
9.5" monochrome LCD unit		A02B-0281-C066	Character only	
10.4" color LCD unit		A02B-0281-C071		
10.4" color LCD unit		A02B-0281-C081	With touch panel	
For display link	7.2" monochrome LCD unit	A02B-0166-C251		
	7.2" monochrome LCD/MDI unit	T series	A02B-0166-C261#TR	Alphabetic keys
			A02B-0166-C261#TS	Symbolic keys
		M series	A02B-0166-C261#R	Alphabetic keys
			A02B-0166-C261#S	Symbolic keys
	Detachable 7.2" monochrome LCD/MDI unit	T series	A02B-0166-C271#TR	Alphabetic keys
			A02B-0166-C271#TS	Symbolic keys
		M series	A02B-0166-C271#R	Alphabetic keys
			A02B-0166-C271#S	Symbolic keys
	Stand-alone type MDI	T series	A02B-0166-C210#TR	Alphabetic keys
			A02B-0166-C210#TS	Symbolic keys
		M series	A02B-0166-C210#R	Alphabetic keys
			A02B-0166-C210#S	Symbolic keys
	Stand-alone type MDI standard key (horizontal type) 220x230mm	T series	A02B-0281-C125#TBR	Alphabetic keys
A02B-0281-C125#TBS			Symbolic keys	
M series		A02B-0281-C125#MBR	Alphabetic keys	
		A02B-0281-C125#MBS	Symbolic keys	
Stand-alone type MDI standard key (vertical type) 220x290mm	T series	A02B-0281-C126#TBR	Alphabetic keys	
		A02B-0281-C126#TBS	Symbolic keys	
	T series	A02B-0281-C126#MBR	Alphabetic keys	
		A02B-0281-C126#MBS	Symbolic keys	
61 full-keyboard (horizontal type) 220x230mm	A02B-0261-C162#MCR		Alphabetic keys	
	A02B-0261-C162#MCS		Symbolic keys	
61 full-keyboard (vertical type) 220x290mm	A02B-0261-C161#MCR		Alphabetic keys	
	A02B-0261-C161#MCS		Symbolic keys	

## LCD/MDI Units (cont.)

Module	Renewal Part No.	
CAPi T keyboard (horizontal type) 220x230mm	A02B-0281-C125#TFBR	Alphabetic keys
	A02B-0281-C125#TFBS	Symbolic keys
CAPi T keyboard (vertical type) 220x290mm	A02B-0281-C126#TFBR	Alphabetic keys
	A02B-0281-C126#TFBS	Symbolic keys

## Other Units

Module	Renewal Part No.	Remarks	
Separate detector interface unit	4 basic axes	A02B-0236-C203	
	4 additional axes	A02B-0236-C204	
Connector panel I/O module	Basic module	A03B-0815-C001	
	Expansion module	A03B-0815-C002	With MPG interface
		A03B-0815-C003	Without MPG interface
		A03B-0815-C004	2A DO
A03B-0815-C005	Analog input		
Distributed I/O machine operator's panel	Compact type	A02B-0236-C141#xx	DI = 24, with MGP interface
	Standard type	A02B-0236-C140#xx	DI = 24, with MGP interface
	290-mm wide	A02B-0236-C150#xx	DI = 24, with MGP interface
Spindle connection adapter		A13B-0180-B001	
Fan unit	For 1 slot	A02B-0265-C101	
	For 2 slots	A02B-0260-C021	



## Panel i Units

Type	Module			Renewal Part No.	
Printed circuit board for CNC display unit with PC functions and PANEL i	Main printed circuit board (For basic unit A08B-0082-B001 to-B004, -B011 to-B014, -B021 to-B024)	For Windows95	For 10.4"/12.1" LCD	A20B-2100-0690	
			For 15.0" LCD	A20B-2100-0691	
		For OS except for Windows95	For 10.4"/12.1" LCD	A20B-2100-0692	
			For 15.0" LCD	A20B-2100-0693	
		Main printed circuit board (For basic unit A08B-0082-B031 to-B038, -B041 to-B048, -B051 to-B057) (For basic unit A13B-0193-B031 to-B038, -B041 to-B048, -B051 to-B057)	For OS except for Windows95	For 10.4" LCD	A20B-2100-0780
				For 12.1" LCD	A20B-2100-0781
	For 15.0" LCD			A20B-2100-0782	
	For Windows95		For 10.4" LCD	A20B-2100-0783	
			For 12.1" LCD	A20B-2100-0784	
			For 15.0" LCD	A20B-2100-0785	
	Inverter printed circuit board (For basic unit A08B-0082-B001 to-B004, -B011 to-B014, -B021 to-B024)	For 10.4" LCD		A14L-0132-0001	
		For 12.1" LCD		A20B-2002-0890	
For 15.0" LCD		A14L-0143-0002			
Inverter printed circuit board (For basic unit A08B-0082-B031 to-B038, -B041 to-B048, -B051 to-B057) (For basic unit A13B-0193-B031 to-B038, -B041 to-B048, -B051 to-B057)	For 10.4" LCD		A14L-0132-0001#B		
	For 12.1" LCD		A14L-0143-0001#B		
	For 15.0" LCD		A14L-0143-0002#B		
Soft key printed circuit board	For 10.4" LCD		A86L-0001-0261		
	For 12.1" LCD		A20B-1007-0760		
Printed circuit board for touch panel controller			A20B-8001-0620		

*Panel i Units (cont.)*

Type	Module				Renewal Part No.	System Part No. (Basic unit)	
Printed circuit board for CNC display unit with PC functions and PANEL i	Base unit	LCD	Soft key	Touch panel			
		10.4" LCD	×	×	A08B-0082-D001	A08B-0082-B001	
			○	×	A08B-0082-D002	A08B-0082-B002	
			×	○	A08B-0082-D003	A08B-0082-B003	
			○	○	A08B-0082-D004	A08B-0082-B004	
		12.1" LCD	×	×	A08B-0082-D011	A08B-0082-B011	
			○	×	A08B-0082-D012	A08B-0082-B012	
			×	○	A08B-0082-D013	A08B-0082-B013	
			○	○	A08B-0082-D014	A08B-0082-B014	
		15.0" LCD	×	×	A08B-0082-D021	A08B-0082-B021	
			×	○	A08B-0082-D023	A08B-0082-B023	
		10.4" LCD	×	×	A08B-0082-D031	A08B-0082-B031 A08B-0082-B035 A13B-0193-B031 A13B-0193-B035	
			○	×	A08B-0082-D032	A08B-0082-B032 A08B-0082-B036 A13B-0193-B032 A13B-0193-B036	
			×	○	A08B-0082-D033	A08B-0082-B033 A08B-0082-B037 A13B-0193-B033 A13B-0193-B037	
			○	○	A08B-0082-D034	A08B-0082-B034 A08B-0082-B038 A13B-0193-B034 A13B-0193-B038	
		12.1" LCD	×	×	A08B-0082-D041	A08B-0082-B041 A08B-0082-B045 A13B-0193-B041 A13B-0193-B045	
			○	×	A08B-0082-D042	A08B-0082-B042 A08B-0082-B046 A13B-0193-B042 A13B-0193-B046	
			×	○	A08B-0082-D043	A08B-0082-B043 A08B-0082-B047 A13B-0193-B043 A13B-0193-B047	
			○	○	A08B-0082-D044	A08B-0082-B044 A08B-0082-B048 A13B-0193-B044 A13B-0193-B048	
		15.0" LCD	×	×	A08B-0082-D051	A08B-0082-B051 A08B-0082-B055 A13B-0193-B051 A13B-0193-B055	
			×	○	A08B-0082-D053	A08B-0082-B053 A08B-0082-B057 A13B-0193-B053 A13B-0193-B057	
		3.5" HDD unit (including the FAN for HDD)				A08B-0082-C100	A08B-0082-H100

## Panel i Units (cont.)

### NOTE

The base unit for maintenance consists of the components of the basic unit from which the main printed circuit board and its retaining screws are excluded.

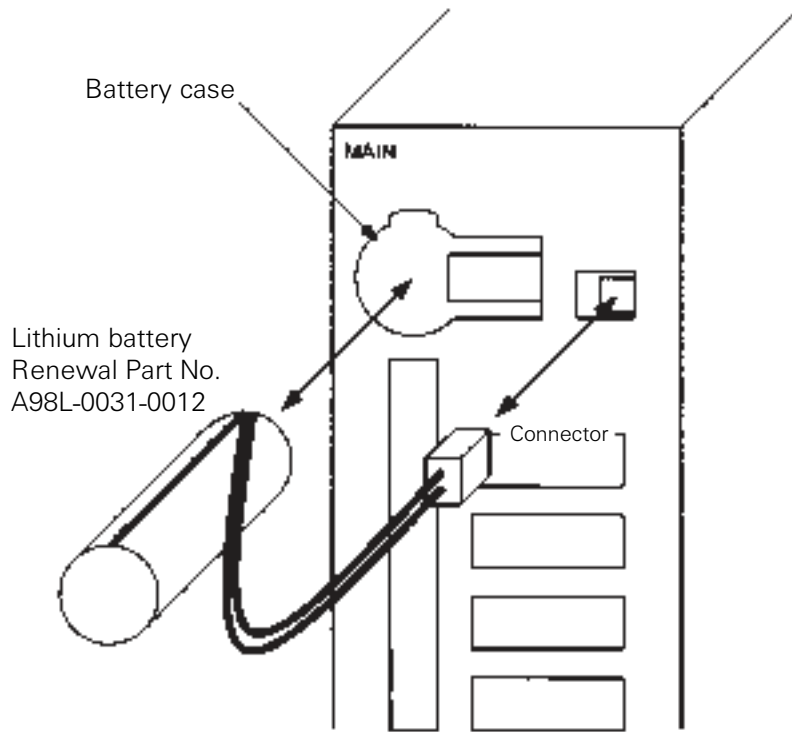
Type	Module		Renewal Part No.	System Part No.	
Printed circuit board for PC function of CNC display unit with PC functions and PANEL i	PC card	MMX-Pentium 233MHz	For 10.4" LCD	A08B-0082-H500#6141	A08B-0082-H010
			For 12.1" LCD	A08B-0082-H500#6142	A08B-0082-H011
			For 15.0" LCD	A08B-0082-H500#6143	A08B-0082-H012
		PentiumII 333MHz	For 10.4" LCD	A08B-0082-H511#6138	A08B-0082-H020
			For 12.1" LCD	A08B-0082-H511#6139	A08B-0082-H021
			For 15.0" LCD	A08B-0082-H511#6140	A08B-0082-H022
		Celeron 400MHz	For 10.4" LCD	A08B-0082-H512#613D	A08B-0082-H040
			For 12.1" LCD	A08B-0082-H512#613E	A08B-0082-H041
			For 15.0" LCD	A08B-0082-H512#613F	A08B-0082-H042
		PentiumIII 500MHz	For 10.4" LCD	A08B-0082-H520#613G	A08B-0082-H050
			For 12.1" LCD	A08B-0082-H520#613H	A08B-0082-H051
			For 15.0" LCD	A08B-0082-H520#613J	A08B-0082-H052
Memory	Main memory (For MMX-Pentium 233MHz and PentiumII 333MHz)	DRAM 32MB (*)	A76L-0500-0013 (Specification: TOSHIBA THL64V4075BTG-5S)	A08B-0082-H001	
		DRAM 64MB	A76L-0500-0014 (Specification: TOSHIBA THL64V8015BTG-5S)	A08B-0082-H002	
		DRAM 128MB	A76L-0500-0017 (Specification: PFU PD-2261ADS)	A08B-0082-H003	
	Main memory (For Celeron 400MHz and PentiumIII 500MHz)	SDRAM 64M	A76L-0500-0018 (Specification: PFU PD-2261ACS)	A08B-0082-H004	
		SDRAM 128M	A76L-0500-0019 (Specification: PFU PD-2261ADSA)	A08B-0082-H005	

\*: DRAM 32 MB can be used only for the MMX-Pentium 233M

## iS Display Units

Module		Renewal Part No.	
Motherboard		A20B-8100-0800	
CE card	CE card 1	A20B-3300-0330	
	CE card 2	A20B-3300-0320	
Power supply unit		A20B-8100-0720	
Printed circuit board of Inverter		A20B-8001-0920	
Printed circuit board of backup unit		A20B-2100-0820	
10.4" LCD unit	Soft keys	Touch panel	
	○	×	A02B-0281-D500
	×	○	A02B-0281-D501
	○	○	A02B-0281-D508
FA full-keyboard		A02B-0281-C130#E	
Case		A02B-0236-D100#0C	
Compact flash card	32MB	A87L-0001-0173#32MBA	
	48MB	A87L-0001-0173#48MBA	
	64MB	A87L-0001-0173#64MB	
	96MB	A87L-0001-0173#96MB	
Cable for backup unit		A02B-0281-K801	
Cable for FA full-keyboard		A02B-0281-K802	

## Batteries

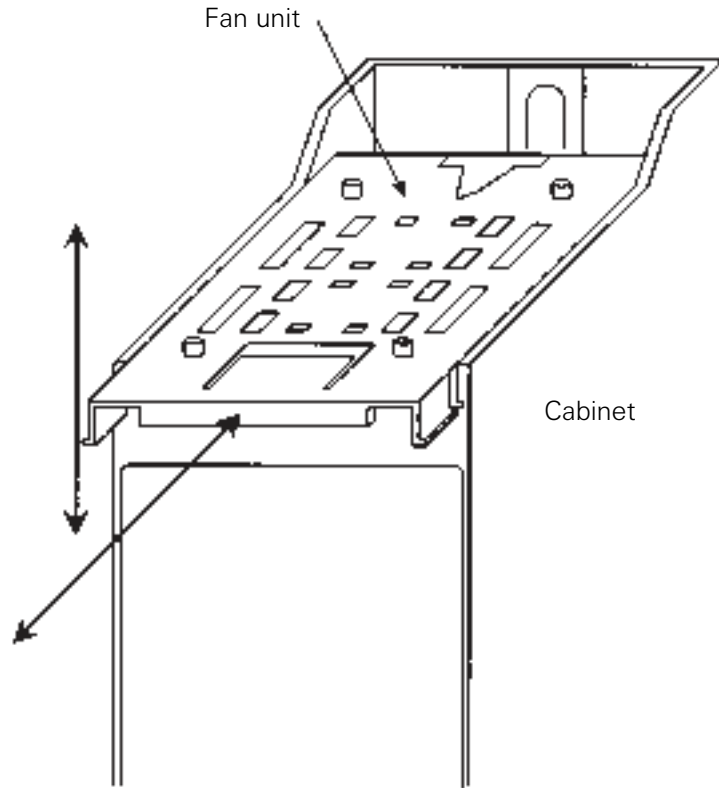


### WARNING

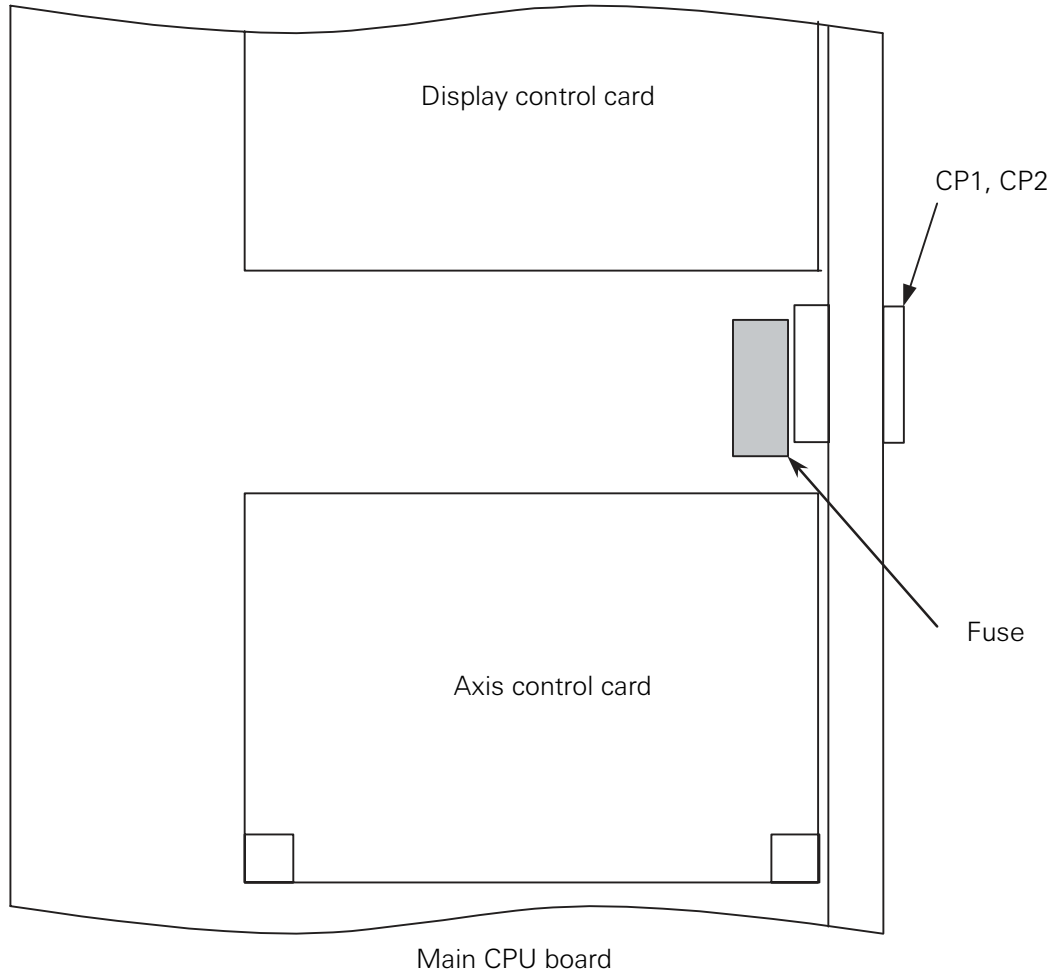
The incorrect mounting of the battery may cause an explosion. Avoid using any battery other than the one specified here (A98L-0031-0012).

# Fans

	Renewal Part No.	Quantity
For 1-slot cabinet	A02B-0265-C101	1
For 2-slot cabinet	A02B-0260-C021	1



# Fuses



System Part No.	Rating	Renewal Part No.
A02B-0265-K100	7.5A	A60L-0001-0046#7.5

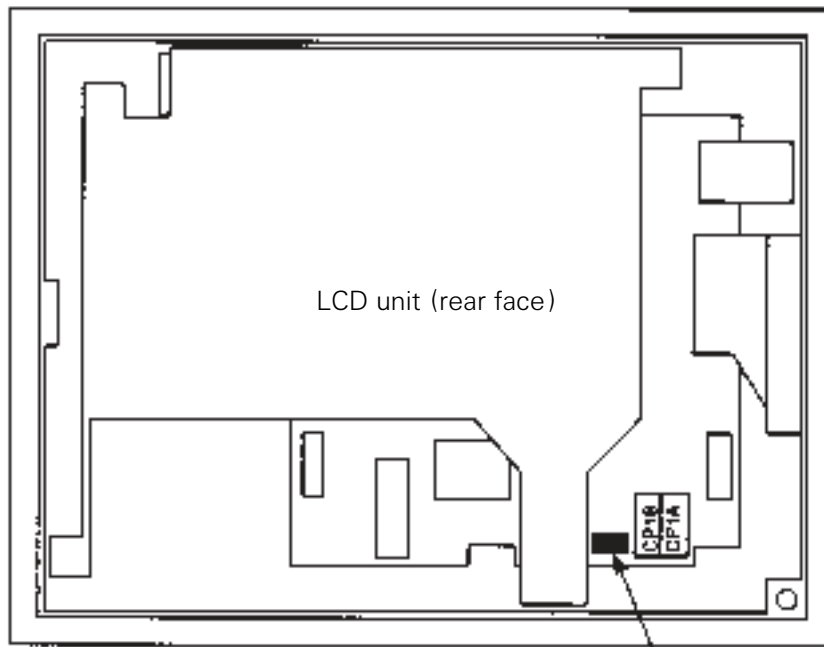
RENEWAL PARTS

2-188

# FANUC CNC Parts



*Fuses (cont.)*



LCD unit (rear face)

Fuse  
Renewal Part No.  
A60L-0001-0290#LM20C

*Backlights*

Backlight	System Part No.	Renewal Part No.
For 9.5" LCD	A02B-0281-K114	A61L-0001-0154#BLC

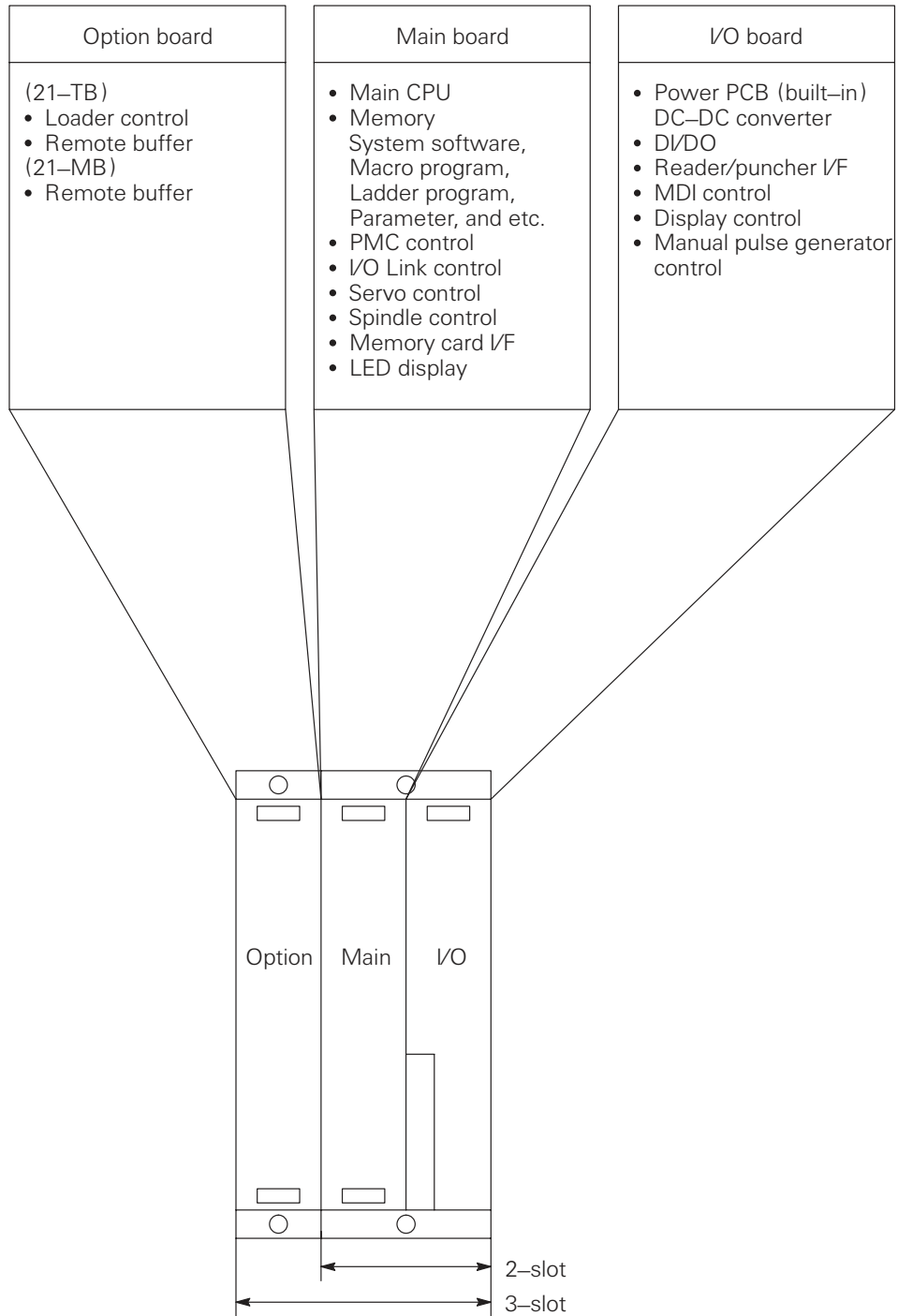
**NOTE**

The back-light of the 10.4" color LCD cannot be replaced.

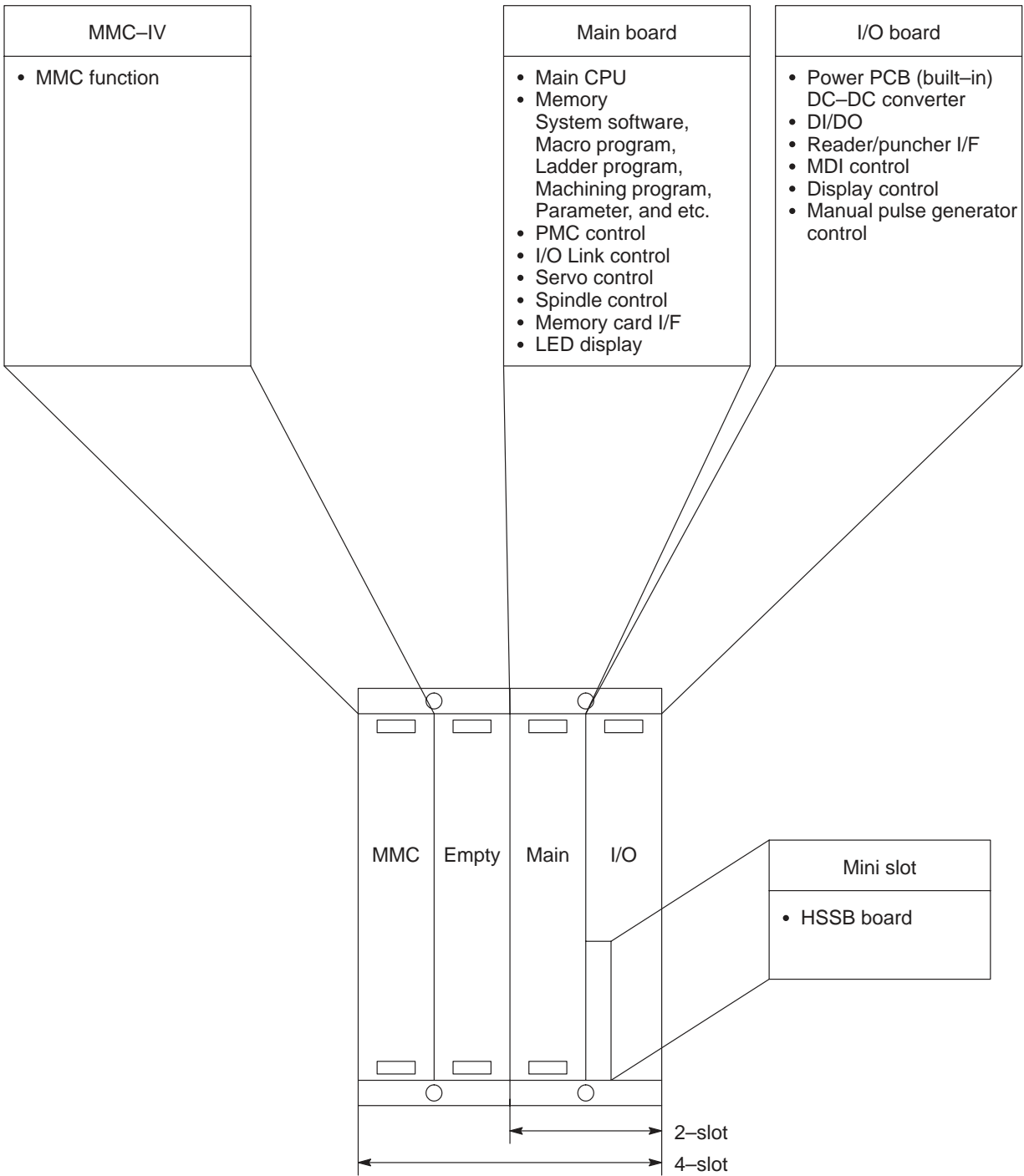


# Series 21 Model B

## System Structure 21



# System Structure 210



RENEWAL PARTS

2-191

## Printed Circuit Boards

Module	Renewal Part Number	Remarks	21-TB	210-TB	21-MB	210-MB
Power supply P.C.B. A	A20B-1005-0421	Small capacity	○		○	
Power supply P.C.B. B	A20B-1005-0420	Large capacity	○	○	○	○
Main board	A16B-3200-0020	21-TB only	○			
	A16B-2201-0721	21-MB only			○	
	A16B-2202-0900		○	○	○	○
Built-in I/O board A1	A16B-2201-0732			○	○	
Built-in I/O board A2	A16B-2201-0737			○	○	
Built-in I/O board B1	A16B-2201-0910			○	○	
Built-in I/O board B2	A16B-2201-0915			○	○	
Built-in I/O board B3	A16B-2201-0918				○	
Built-in I/O board C1	A16B-2201-0922			○	○	
Built-in I/O board C2	A16B-2201-0927			○	○	
Built-in I/O board D1	A16B-3200-0120	A02B-0179-H017			○	○
	A16B-2202-0980	A02B-0218-H010#D1				
Built-in I/O board D2	A16B-3200-0125	A02B-0179-H018			○	○
	A16B-2202-0985	A02B-0218-H010#D2				
Built-in I/O board D3	A16B-2202-0988	A02B-0218-H010#D3				○
Built-in I/O board A	A16B-3200-0030	A02B-0210-H010	○			
	A16B-2203-0040					
Built-in I/O board B	A16B-3200-0031	A02B-0210-H011	○			
	A16B-2203-0041					
Built-in I/O board C	A16B-3200-0035	A02B-0210-H012	○			
	A16B-2203-0045					
Built-in I/O board D	A16B-3200-0036	A02B-0210-H013	○			
	A16B-2203-0046					
Built-in I/O board E0	A16B-2203-0070	A02B-0218-H010#E0	○	○		
Built-in I/O board E1	A16B-2203-0071	A02B-0218-H010#E1	○	○		
Built-in I/O board E2	A16B-2203-0072	A02B-0218-H010#E2		○		
Built-in I/O board E5	A16B-2203-0075	A02B-0218-H010#E5	○	○		
Built-in I/O board E6	A16B-2203-0076	A02B-0218-H010#E6	○	○		
Built-in I/O board E7	A16B-2203-0077	A02B-0218-H010#E7		○		
Back Panel	A20B-1006-0260	2-slot	○			
	A20B-2000-0880	2-slot	○	○	○	○
	A20B-2000-0890	3-slot	○		○	
	A20B-2002-0180	4-slot (MMC-IV)		○		○
Option 1 board (remote buffer)	A16B-2200-0913		○		○	
Loader control board	A16B-2202-0880		○			

## Printed Circuit Boards (cont.)

Name	Specification	Remarks	21-TB	210-TB	21-MB	210-MB
MMC-IV board	A02B-0207-C020	CPU 486SX		○		○
	A02B-0207-C022	CPU 486DX2		○		○
DRAM module	A76L-0500-0005	4MB		○		○
DRAM module	A76L-0500-0006	8MB		○		○
HDD unit	A02B-0207-C051	256MB		○		○
New MMC-IV main board	A16B-2203-0180			○		○
Card PC	A15L-0001-0052#2	In new MMC-IV board		○		○
DRAM module 4MB	A76L-0500-0007	In new MMC-IV board		○		○
HDD unit	A02B-0207-C054	In new MMC-IV board		○		○
High-speed serial bus interface board (CNC side)	A20B-2002-0210			○		○
High-speed serial bus interface board (PC side)	A20B-8001-0300	Type 1		○		○
	(A20B-8001-0581)	Type 2		○		○
	A20B-8100-0100					
Intelligent terminal	A16B-3300-0010	DRAM 8MB		○		○
	A16B-3300-0011	DRAM 12MB		○		○
Intelligent terminal type 2	A20B-2100-0240			○		○
Inverter P.C.B.	A20B-2002-0500	In the intelligent terminal type 2		○		○
Touch panel controller	A20B-8001-0620	In the intelligent terminal type 2		○		○
Card PC (DRAM 4MB)	A13B-0178-H001	In the intelligent terminal type 2		○		○
Card PC (DRAM 16MB)	A13B-0178-H002	In the intelligent terminal type 2		○		○
Card PC (DRAM 24MB)	A13B-0178-H003	In the intelligent terminal type 2		○		○
HDD unit	A13B-0178-H030	In the intelligent terminal type 2		○		○
ISA extension unit (with ISA extension)	A13B-0178-H040	In the intelligent terminal type 2		○		○
ISA extension unit (without ISA extension)	A13B-0178-H049	In the intelligent terminal type 2		○		○
ISA extension backplane for intelligent terminal	A20B-2002-0240			○		○
Soft key P.C.B. for intelligent terminal	A20B-1006-0791			○		○

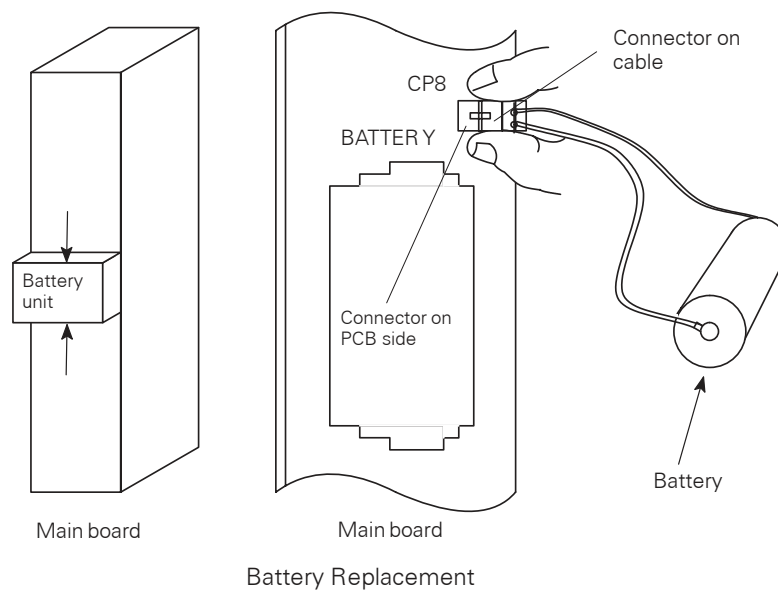
## Printed Circuit Boards (cont.)

Module		Renewal Part No.	Remarks
Control unit rack	2-slot	A02B-0210-C001	For Series 21-TB (F ANUC)
	2-slot	A02B-0210-C011	For Series 21-TB (GEF ANUC)
	2-slot	A02B-0218-C002	For Series 21/210-TB/MB
	3-slot	A02B-0218-C003	For Series 21-TB/MB
	4-slot	A02B-0218-C004	For Series 210-TB/MB
7.2" monochrome LCD control board		A20B-2001-0840	
8.4" color LCD control board		A16B-2300-0082	
9.5" monochrome LCD control board		A20B-2001-0840	
9.5" color LCD control board		A16B-2300-0081	
Horizontal type 9" CRT/MDI		A02B-0210-C041#TA	For Series 21/210-TB (English MDI)
		A02B-0210-C041#TAS	For Series 21/210-TB (Symbolic MDI)
Separate 9" CRT		A02B-0210-C1 11	For Series 21/210-TB
Separate 7.2" monochrome LCD		A02B-0200-C081	For Series 21/210-TB
Separate 9.5" monochrome LCD		A02B-0200-C1 15	For Series 21/210-TB
Separate 8.4" color LCD		A02B-0218-C050	For Series 21/210-TB
Separate small MDI		A02B-0210-C120#TA	For Series 21/210-TB (English MDI)
		A02B-0210-C120#TAS	For Series 21/210-TB (Symbolic MDI)
Separate full-sized MDI		A02B-0210-C122#TA	For Series 21/210-TB (English MDI)
		A02B-0210-C122#TAS	For Series 21/210-TB (Symbolic MDI)
		A02B-0218-C120#TR	For Series 21/210-TB (English MDI)
		A02B-0218-C120#TS	For Series 21/210-TB (Symbolic MDI)
		A02B-0218-C121#TR	For Series 21/210-TB (English MDI)
		A02B-0218-C121#TS	For Series 21/210-TB (Symbolic MDI)
14" color LCD/MDI		A02B-0200-C071#TBR	For Series 210-TB (English MDI)
		A02B-0200-C071#TBS	For Series 210-TB (Symbolic MDI)
		A02B-0200-C072#TBR	For Series 210-TB (English MDI)
		A02B-0200-C072#TBS	For Series 210-TB (Symbolic MDI)
9.5" color LCD/MDI		A02B-0200-C065#TBR	For Series 210-TB (English MDI)
		A02B-0200-C065#TBS	For Series 210-TB (Symbolic MDI)
		A02B-0200-C066#TBR	For Series 210-TB (English MDI)
		A02B-0200-C066#TBS	For Series 210-TB (Symbolic MDI)
Intelligent terminal		A13B-0172-B001	For Series 210-TB/MB 9.5" TFT color LCD, 8MB memory without ISA extension
		A13B-0172-B002	For Series 210-TB/MB 9.5" TFT color LCD, 12MB memory without ISA extension
		A13B-0172-B021	For Series 210-TB/MB 9.5" STN color LCD, 8MB memory without ISA extension
		A13B-0172-B022	For Series 210-TB/MB 9.5" STN color LCD, 12MB memory without ISA extension
		A13B-0172-B101	For Series 210-TB/MB 9.5" TFT color LCD, 8MB memory with ISA extension
		A13B-0172-B102	For Series 210-TB/MB 9.5" TFT color LCD, 12MB memory with ISA extension
		A13B-0172-B121	For Series 210-TB/MB 9.5" STN color LCD, 8MB memory with ISA extension
		A13B-0172-B122	For Series 210-TB/MB 9.5" STN color LCD, 12MB memory with ISA extension

## Printed Circuit Boards (cont.)

Module	Renewal Part No.	Remarks
Intelligent terminal type 2	A13B-0178-B001	For Series 210-TB/MB 10.4" TFT color LCD, without soft key, without touch panel
	A13B-0178-B002	For Series 210-TB/MB 10.4" TFT color LCD, with soft key
	A13B-0178-B003	For Series 210-TB/MB 10.4" TFT color LCD, with touch panel
Horizontal 9" CRT/MDI	A02B-0210-C041#MA	For Series 21/210-MB (English MDI)
	A02B-0210-C041#MAS	For Series 21/210-MB (Symbolic MDI)
Separate 9" CRT	A02B-0210-C1 11	For Series 21/210-MB
Separate 9" PDP	A02B-0200-C100	For Series 21/210-MB
Separate 7.2" monochrome LCD	A02B-0200-C081	For Series 21/210-MB
Separate 9.5" monochrome LCD	A02B-0200-C1 15	For Series 21/210-MB
Separate 8.4" color LCD	A02B-0218-C050	For Series 21/210-MB
Separate small MDI	A02B-0210-C120#MA	For Series 21/210-MB (English MDI)
	A02B-0210-C120#MAS	For Series 21/210-MB (Symbolic MDI)
Separate full-sized MDI	A02B-0210-C122#MA	For Series 21/210-MB (English MDI)
	A02B-0210-C122#MAS	For Series 21/210-MB (Symbolic MDI)
	A02B-0218-C120#MR	For Series 21/210-MB (English MDI)
	A02B-0218-C120#MS	For Series 21/210-MB (Symbolic MDI)
	A02B-0218-C121#MR	For Series 21/210-MB (English MDI)
	A02B-0218-C121#MS	For Series 21/210-MB (Symbolic MDI)
14" color CRT/MDI	A02B-0200-C071#MBR	For Series 210-MB (English MDI)
	A02B-0200-C071#MBS	For Series 210-MB (Symbolic MDI)
	A02B-0200-C072#MBR	For Series 210-MB (English MDI)
	A02B-0200-C072#MBS	For Series 210-MB (Symbolic MDI)
9.5" color CRT/MDI	A02B-0200-C065#MBR	For Series 210-MB (English MDI)
	A02B-0200-C065#MBS	For Series 210-MB (Symbolic MDI)
	A02B-0200-C066#MBR	For Series 210-MB (English MDI)
	A02B-0200-C066#MBS	For Series 210-MB (Symbolic MDI)

## Series 21 Model B Batteries



Renewal Part No. : A98L-0031-0006

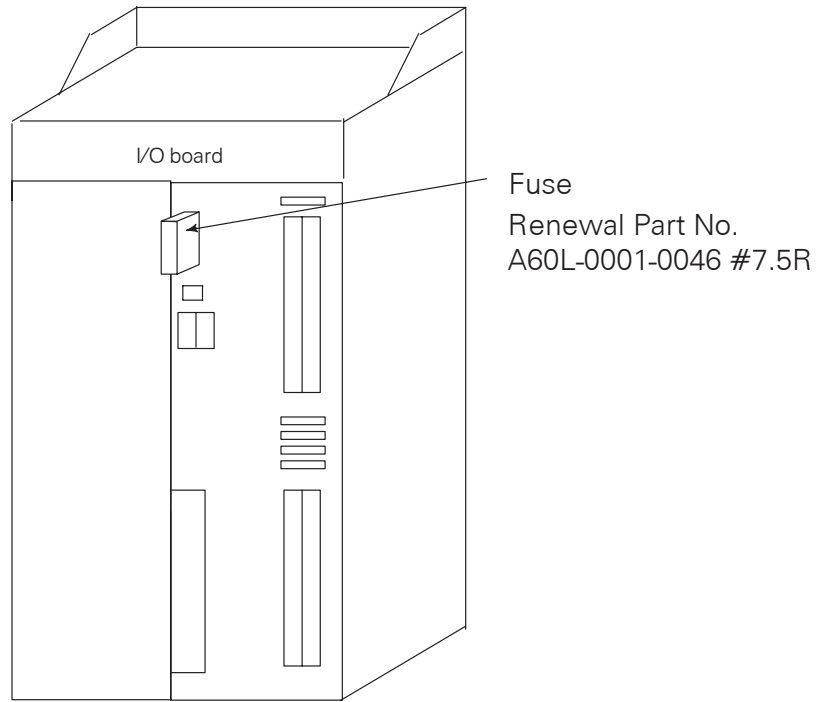
### CAUTION

Never replace the battery with other than the specified type (A98L-0031-0006).

Turn off the power to the machine before replacing the battery. Complete the replacement work within 30 minutes. The contents of CNC memory may be lost if the power is turned off, and the battery is removed for 10 minutes or more.

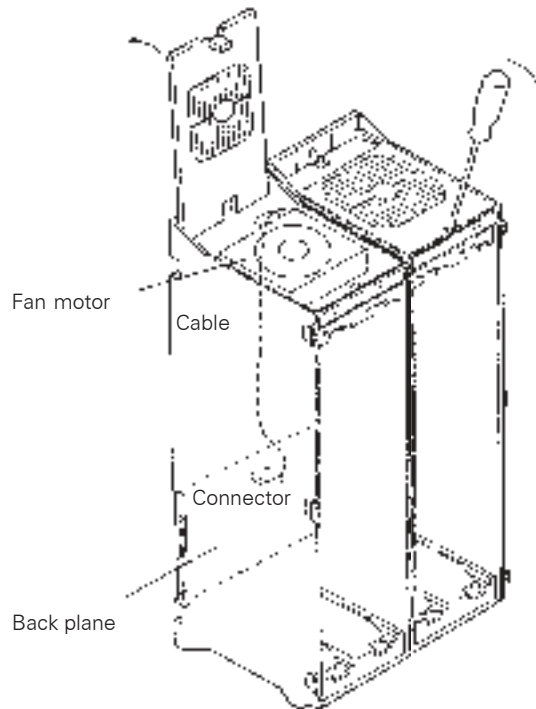
If the contents of CNC memory are lost because of the above, a RAM parity system alarm is issued, and the CNC becomes unusable.

## Series 21 Model B Fuses



## Series 21 Model B Fans

	Renewal Part No.	Number of units required
For 2-slot rack	A90L-0001-0378	For 1-2slot rack
For 1-slot rack	A90L-0001-0385#A	For 2-1slot rack





# FANUC CNC Parts



# ***Training and Documentation***

Training Overview	5
Needs Assessment	5
On-site Training Courses and Seminars	5
Open Enrollment Courses	5
Training Center Locations	5
Operation and Programming Training	6
Introduction to CNC	6
CNC Operators Course	6
G-Code Part Programming - Milling	7
G-Code Part Programming - Turning	8
Custom Macro B Programming	9
Maintenance Training	10
CNC System Maintenance	10
Servo and Spindle Drive Maintenance	11
Developer Courses	12
Ladder Interface Development	12
Open Systems CNC	13
Training Packages	14
Six Packs and Volume Discounts	14
Training Schedule	15
2nd Quarter 2004	15
3rd Quarter 2004	16
4th Quarter 2004	17
Simulators	18
InfoLink for CNC Electronic Documentation	19
Series 0 Printed Documentation	20
Series 0 Model A	20
Series 0 Model B	20
Series 0 Model C/D	21
Series 0 i Model A	22
Series 0LE Model B4	22

Series 10/11/12 Printed Documentation	.23
Series 10/11/12	.23
Series 11	.23
Series 12	.23
Series 15 Printed Documentation	.24
Series 15 Model A	.24
Series 15ME/TE	.25
Series 15 Model B	.26
Series 15i/150i Model A	.27
Series 15i/150i Model B	.27
Series 16/18/21 Printed Documentation	.28
Series 16/18 Model A	.28
Series 16 TE/ME/LE	.28
Series 18 TEA/MEA	.29
Series 20 Model A	.29
Series 21 Model A	.29
Series 16/18 Model B	.30
Series 18 LNB	.30
Series 21 Model B	.31
Series 16/18 Model C	.32
Series 16i/18i/20i/21i Model A	.33
Series 20i Model A	.34
Series 21i/210i Model A	.34
Series 16i/18i Model B	.35
Series 21i/210i Model B	.35
Power Mate Printed Documentation	.36
Power Mate	.36
Power Mate A/B/C	.36
Power Mate D/F	.36
Power Mate E	.36
Power Mate H	.37
Power Mate I	.37
Power Mate i D/H	.37
Power Mate O	.37
Position Mate	.38
Servo and Spindle Printed Documentation	.39
Alpha i AC Servos and Spindles	.39
DC Servos	.39
AC Servos	.39
Alpha AC Servos and Spindles	.40
Beta Servos	.40

# FANUC CNC Parts



Miscellaneous .....	.41
I/O .....	.41
Operator Panels .....	.41
Lasers .....	.41
Loader Robots .....	.42
MMC .....	.42
Open Systems and Communications .....	.43
FAPT Software .....	.44
Peripherals .....	.44
PMC .....	.45
Conversational Programming .....	.46

# FANUC CNC Parts



# Training Overview

## Needs Assessment

We provide training needs assessments to help us design customized courses and curriculums to support the specific skill requirements at the customer's site. We also work with customers on on-going assessments of both current and prospective individual employees.

## On-site Training Courses and Seminars

Both customized and standard (open enrollment) courses can be set-up at your facility to help minimize employee travel time and expenses. For customized courses please contact GE Fanuc to identify specific requirements and needs and we will provide a proposal. For standard courses (same content as "Open Enrollment Course descriptions) the pricing guidelines are as follows:

Number of Classes Ordered	Number of Days						
	5	4.5	4	3.5	3	2.5	2
1	\$15,000	\$13,500	\$12,000	\$11,000	\$10,000	\$9,000	\$7,500
2	\$14,000	\$13,000	\$11,500	\$10,500	\$9,750	\$8,750	\$7,500
3	\$13,000	\$12,500	\$11,000	\$10,000	\$9,500	\$8,500	\$7,500
4	\$12,000	\$12,000	\$10,500	\$9,500	\$9,250	\$8,250	\$7,500

## Open Enrollment Courses

GE Fanuc operates a network of regional training centers offering world-class technical training for maintenance, operations, and engineering personnel. Course descriptions, schedules and registration information are available at [www.gefanuc.com/ttc](http://www.gefanuc.com/ttc). Technical training helps operators, technicians and engineers set-up, configure and troubleshoot more efficiently, decreasing downtime and increasing throughput. Technical training also helps your employees stay current with new technology as well as find new ways to apply your current technology, helping to make your organization more productive.

## Training Center Locations

Class schedules listed on [www.gefanuc.com](http://www.gefanuc.com) or available by calling our toll-free telephone number.

- Addision, IL
- Charlottesville, VA
- Columbia, SC
- Huntsville, AL
- Indianapolis, IN
- Lewisburg, WV
- Los Angeles, CA
- Mississauga, ON
- Montreal, Quebec
- Rochester, NY
- Southfield, MI

# Operation and Programming Training

## *Introduction to CNC*

The Introduction to CNC basic course is a beginning level course focusing on the basic CNC control. Valuable hands-on lab exercises are provided which guide students through the operation of Part Programming.

### Who should attend?

This course is designed for Machine Operators, Engineers and Electricians.

### Are there any prerequisites?

Participants should have a willingness to learn CNC basic functions and terminology.

### What tasks will be taught in this class?

At the end of this course, participants should be able to:

- > Describe important benefits offered by CNC equipment.
- > Describe basic CNC programmable functions.
- > Name the basic CNC Axis Designations and describe each.
- > Define offsets as a Function of the CNC.
- > Operate hard keys and soft keys to become familiar with various soft ware screens.
- > Describe some options of a CNC machine.

<u>Description</u>	<u>Cat. Number</u>	<u>Price</u>
CNC Basics - 2 days	44A728313-200	\$800

## *CNC Operators Course*

Beginning level course focusing on the basics of CNC operation. Hands-on lab exercises are provided which guide students through the setup of tooling and fixture offsets, coordinate systems, program execution, and basic troubleshooting. Course is designed for machine operators that have no prior experience with GE Fanuc or Fanuc controls, and introduces students to programming concepts, machine axis designations, offsets, CNC hardware and software screens and options.

<u>Description</u>	<u>Cat. Number</u>	<u>Price</u>
CNC Operators Course - Milling - 2 days	44A728313-205	\$800
CNC Operators Course - Turning - 2 days	44A728313-206	\$800

## ***G-Code Part Programming - Milling***

The G Code Programming course focuses on part program generation and implementation using the G-Code product in a milling environment. In-depth discussions are combined with hands-on lab exercises which enable the student to apply newly acquired principles to a practical environment. Although every effort will be made to train students on their own type of control, sometimes that may not be possible. However, milling issues for all controls will be discussed during class. \* Lewisburg, WV classes will cover 0/16/18 controls only.

### Who should attend?

This course is designed for personnel responsible for developing part programs for the 0/15/16/16/21 Series CNC controls on milling machines.

### Are there any prerequisites?

Participants should have experience operating or programming a CNC machine and control.

### What tasks will be taught in this class?

At the end of this course, participants should be able to:

- > Develop simple part programs.
- > Identify and interpret programming related parameters and alarm messages.
- > Write simple sub-programs.
- > Perform part program storage and edit.
- > Apply tool offset commands.
- > Identify and use preparatory G codes and canned milling cycles.

<b><u>Description</u></b>	<b><u>Cat. Number</u></b>	<b><u>Price</u></b>
Mill G-Code - 4 ½ days	44A728313-303	\$1,600



## *G-Code Part Programming - Turning*

The Turn G Code Programming course focuses on part program generation and implementation using the G-Code product in a turning environment. In-depth discussions are combined with hands-on lab exercises which enable the student to apply newly acquired principles to a practical environment. Although every effort will be made to train students on their own type of control, sometimes that may not be possible. However, turning issues for all controls will be discussed during class. \* Lewisburg, WV classes will cover 0/16/18 controls only.

### Who should attend?

This course is designed for personnel responsible for developing part programs for the 0/15/16/16/21 Series CNC controls on turning machines.

### Are there any prerequisites?

Participants should have experience operating or programming a CNC machine and control.

### What tasks will be taught in this class?

At the end of this course, participants should be able to:

- > Develop simple part programs.
- > Identify and interpret programming related parameters and alarm messages.
- > Write simple sub-programs.
- > Perform part program storage and edit.
- > Apply tool offset commands.
- > Identify and use preparatory G codes and canned turning cycles.

<b>Description</b>	<b>Cat. Number</b>	<b>Price</b>
Turning G-Code - 4 ½ days	44A728313-302	\$1,600

# FANUC CNC Parts



## ***Custom Macro B Programming***

The Macro B Programming course focuses on part program generation and implementation using the Macro B product. User Macro is especially useful for the family of parts, bolt hold patterns, and other repetitive shapes for which no G-code is available. In-depth discussions are combined with hands-on lab exercises which enable the student to apply newly acquired principles to a practical environment.

### Who should attend?

This course is designed for personnel and engineers who are responsible for part programming on various controls and are ready to use more enhanced features of the control.

### Are there any prerequisites?

This course is intended for more experienced NC programmers. Please be cautioned: User Macro is not like the traditional NC programming language of G-codes, etc. Persons with a background in both NC and BASIC (or some other computer language) will do well in this class.

### What tasks will be taught in this class?

At the end of this course, participants should be able to:

- > Differentiate between types of variables and use variables in a subprogram.
- > Write a canned cycle and assign G-codes or M-codes to the cycle.
- > Use User Macro to alter or write a probing routine.
- > Use User Macro to generate one's own NC alarms.

<b><u>Description</u></b>	<b><u>Cat. Number</u></b>	<b><u>Price</u></b>
CNC Custom Macro B Course - 3.5 days	44A728313-301	\$1300

# Maintenance Training

## *CNC System Maintenance*

The Maintenance courses provides the tools for maximizing troubleshooting techniques to maintain a machine tool equipped with GE Fanuc or FANUC CNC. Classroom demonstrations and presentations are followed by actual hands-on lab exercises to reinforce new skills.

### Who should attend?

This course is designed for in-house or field service personnel responsible for the daily operation, maintenance and/or support of maintaining machine tools with GE Fanuc or FANUC CNCs.

### Are there any prerequisites?

Participants should have a basic understanding of CNC, machine tools and electricity, and should know the basics of ladder or machine sequence logic and signal tracing. They should also have a basic electrical background, and follow appropriate safety practices related to electrical equipment.

What tasks will be taught in this class?

- > At the end of this course, participants should be able to:
- > Describe the function of the CNC hardware components as maintenance replaceable items.
- > Locate, interpret and record the information on the System Configuration screen.
- > Troubleshoot the five types of external I/O.
- > Verify proper cooling, grounding, noise suppression and cabling for the system.
- > Explain the function of the special parameters for the a particular system and how to set them.
- > List the steps to consider to safely run an axis for maintenance purposes.
- > Perform a complete backup and restore of all battery-backed CNC memory (CNC parameters, part programs, tool offsets, etc.)
- > Explain the signal flow between the CNC and the servo.
- > Use factory supplied documentation to speed up problem solving.
- > Perform an inspection, start-up and check-out of the CNC.
- > Write, enter and execute a simple part program to be used as an aid for checking the machine tool and CNC for proper operation.
- > Use the many diagnostic features of the control to troubleshoot the machine tool and the control itself.

<b>Description</b>	<b>Cat. Number</b>	<b>Price</b>
Power Mate D Maintenance - 3 days	44A728313-107	\$1,100 US
Power Mate H Maintenance- 3 days	44A728313-120	\$1,100
Series 0 Maintenance (all models except 0i-A and 0i-B) - 4 ½ days	44A728313-101	\$1,600
Series 21/18/16 Models A, B, C, iA, iB, 0i Maintenance - 4 ½ days	44A728313-105	\$1,600
Series 15-B Maintenance - 4 ½ days	44A728313-104	\$1,600
Series 15i-A Maintenance - 4 ½ days	44A728313-114	\$1,600

## ***Servo and Spindle Drive Maintenance***

The Servo Maintenance course provides a functional understanding of installation, maintenance, and troubleshooting of GE Fanuc Alpha series power supplies, amplifiers and motors. Students will learn complete diagnostic address and error code fault tracing. In-depth classroom discussions about how and why servos work are followed by laboratory exercises to reinforce newly learned skills with live equipment.

### Who should attend?

This course is designed for maintenance technicians, field service personnel and engineers who are responsible for the regular maintenance of machine tool control drive systems.

### Are there any prerequisites?

Participants should first attend one of our CNC control maintenance classes or have equivalent CNC knowledge. They should also be comfortable with working with voltages over 200 volts AC, and be able to operate a digital voltmeter, a VOM (volt ohm meter) and an oscilloscope.

### What tasks will be taught in this class?

- > At the end of this course, participants should be able to:
- > Verify power connections between the CNC and the amplifier.
- > Identify signal flow or communication between a servo and a CNC.
- > Set up initial parameters for drives.
- > Adjust units by screens on the CNC.
- > Identify and interpret CNC alarms and amplifier LED displays.
- > Troubleshoot using breakout boards, check boards and CNC diagnostics.
- > Test and replace replaceable units.

<b><u>Description</u></b>	<b><u>Cat. Number</u></b>	<b><u>Price</u></b>
Servo Maintenance - 2 ½ days	44A728313-106	\$1,100

## Developer Courses

### *Ladder Interface Development*

The Level 1 Ladder Interface for Series 15, 16 and 18 Controls course focuses on the development of interface programs using the basic and functional PMC instructions for all PMC models. In practical, hands-on lab exercises throughout the course, students will apply new programming, troubleshooting, and debugging skills on actual GE Fanuc CNC controls.

#### Who should attend?

The course is valuable for the interface designer who will develop an interface for GE Fanuc Series 15, 16 and 18 CNC to machine tools. Field service and maintenance personnel will also find this course useful in understanding many advanced ladder features for troubleshooting machine tool ladder interfaces.

#### Are there any prerequisites?

In order to get the greatest benefit from this course, the student should have successfully completed a Series 15, or a Series 16/18 Maintenance course.

#### What tasks will be taught in this class?

Upon Completion of this course, participants should be able to:

- > Write ladder interface programs for the Series 15, 16, and 18 CNC controls for all PMC models.
- > Make the proper selection of input and output hardware.
- > Use the off-line programming devices with FAPT Ladder software.
- > Troubleshoot and debug ladder interface programs.
- > Use the factory-supplied documentation for ladder interface design.

<b><u>Description</u></b>	<b><u>Cat. Number</u></b>	<b><u>Price</u></b>
Ladder Interface Development - 4 ½ days	44A728313-204	\$1,600

# FANUC CNC Parts



## ***Open Systems CNC***

This course is for Software or Controls Engineering personnel involved in the development or implementation of Open Systems CNC systems based on GE Fanuc's 15/16/18/21 CNC controls. The course covers Open Systems CNC development tools (FOCAS1) and application packages to implement PC based CNC solutions. Covers H/W and S/W including HSSB, PANEL i, Integrated PC and TCP/IP Ethernet.

Students learn how to set up and install Open Systems S/W Applications and H/W products. The course also covers applications for Open Factory CNC's using Visual C++ or Visual Basic, FOCAS1 libraries to develop custom applications in Visual C++ or Visual Basic and provides an overview of S/W interfaces: Basic Operation Package (BOP), DNC Operation Management Package, CNC Screen Display Function, and Ladder Edit Package (LEP) for Windows and CIMPLICITY HMI for CNC.

<b>Description</b>	<b>Cat. Number</b>	<b>Price</b>
Open Systems CNC - 4 ½ days	44A728313-110	\$1,600

# Training Packages

## *Six Packs and Volume Discounts*

Spread the wealth with our Six Pack program, which provides six individual open enrollments in GE Fanuc training programs. How you use your six pack is up to you. You can send six members of your team to one program, one member of your team to six programs, or any combination in between. Just book all the training on one purchase order and receive a 17% discount. Other discounts are available for other quantities too.

Number of Classes	Multiplier
1	1.00
2	0.95
3	0.93
4	0.93
5	0.85
6	0.83

- > All classes must be registered on the same purchase order
- > All students must be from the same company
- > GE Fanuc’s standard training cancellation and rescheduling policy will apply
- > Seats cancelled from a PO will result in a rebill of any classes already taken
- > All seats on the purchase order must be used within 18 months of the order date
- > Any mix of GE Fanuc open enrollement classes is acceptable



# Training Schedule

## 2nd Quarter 2004

Class Course Number	April Week of:				May Week of:					June Week of:			
	05	12	19	26	03	10	17	24	31	07	14	21	28
<b>Operation and Programming Track</b>													
CNC Basics 44A7283113-200 - 2 days		LEW											
Lathe Operators 44A7283113-206 - 3 days												INC	
Macro B Programming 44A7283113-301 - 3½ days											COL		
Mill G-Code 44A7283113-303 - 4½ days					LEW						LEW		
Lathe G-Code 44A7283113-302 - 4½ days												LEW	
<b>Maintenance Track</b>													
Alpha Servo Maintenance 44A7283113-113 - 2½ days					IND		ADD						
Servo & Spindle Maintenance 44A7283113-121 - 4½ days	LA					IND		COL			SF		
Digital Servo Maintenance 44A7283113-106 - 2½ days												SF	
Power Mate D Maintenance 44A7283113-107 - 3 days		SF											
Series 15 Maintenance 44A7283113-104 - 4½ days			COL										
Series 16/18/21 Maintenance 44A7283113-115 - 4½ days			IND		ADD	MIS	COL	HUN					SF
Laser Maintenance 44A7283113-104 - 4½ days	CHV												
<b>Developer Track</b>													
Ladder Interface 44A7283113-204 - 2½ days													
Open Systems CNC 44A7283113-110 - 2½ days						ADD							

### Training Locations

ADD	Addison, IL	MON	Montreal, Quebec
CHV	Charlottesville, VA	ROC	Rochester, NY
COL	Columbia, SC	SF	Southfield, MI
HUN	Huntsville, AL		
IND	Indianapolis, IN		
LEW	Lewisburg, WV		
LA	Los Angeles, CA		
MIS	Mississauga, ON		



### 3rd Quarter 2004

Class Course Number	July Week of:				August Week of:					September Week of:			
	05	12	19	26	02	09	16	23	30	06	13	20	27
<b>Operation and Programming Track</b>													
CNC Basics 44A7283113-200 - 2 days						LEW							
Lathe Operators 44A7283113-206 - 3 days						SF						ADD	
Mill Operators 44A7283113-205 - 3 days			IND		SF						ADD		
Macro B Programming 44A7283113-301 - 3½ days					ADD								
Mill G-Code 44A7283113-303 - 4½ days			LEW								LEW		
Lathe G-Code 44A7283113-302 - 4½ days											LEW		
<b>Maintenance Track</b>													
Alpha Servo Maintenance 44A7283113-113 - 2½ days				ADD									
Servo & Spindle Maintenance 44A7283113-121 - 4½ days												COL	
Digital Servo Maintenance 44A7283113-106 - 2½ days									ADD				
Power Mate D Maintenance 44A7283113-107 - 3 days			SF										
Series 0 Maintenance 44A7283113-104 - 4½ days								SF					
Series 15 Maintenance 44A7283113-104 - 4½ days												MIS	
Series 16/18/21 Maintenance 44A7283113-115 - 4½ days						LA	MIS						MON
Laser Maintenance 44A7283113-104 - 4½ days						CHV							
<b>Developer Track</b>													
Ladder Interface 44A7283113-204 - 2½ days						MIS		IND					ADD

#### Training Locations

ADD	Addison, IL	MON	Montreal, Quebec
CHV	Charlottesville, VA	ROC	Rochester, NY
COL	Columbia, SC	SF	Southfield, MI
HUN	Huntsville, AL		
IND	Indianapolis, IN		
LEW	Lewisburg, WV		
LA	Los Angeles, CA		
MIS	Mississauga, ON		

# FANUC CNC Parts



## 4th Quarter 2004

Class Course Number	October Week of:				November Week of:					December Week of:			
	04	11	18	25	01	08	15	22	29	06	13	20	27
<b>Operation and Programming Track</b>													
Lathe Operators 44A7283113-206 - 3 days							IND						
Mill Operators 44A7283113-205 - 3 days				IND									
Macro B Programming 44A7283113-301 - 3½ days						COL							
Mill G-Code 44A7283113-303 - 4½ days				LEW									
Lathe G-Code 44A7283113-302 - 4½ days										LEW			
<b>Maintenance Track</b>													
Servo & Spindle Maintenance 44A7283113-121 - 4½ days		IND											
Power Mate D Maintenance 44A7283113-107 - 3 days					SF								
Series 15 Maintenance 44A7283113-104 - 4½ days										SF			
Series 16/18/21 Maintenance 44A7283113-115 - 4½ days	SF					LA					ADD		
Laser Maintenance 44A7283113-104 - 4½ days						CHV							
<b>Developer Track</b>													
Ladder Interface 44A7283113-204 - 2½ days				ADD			COL						
Open Systems CNC 44A7283113-110 - 2½ days	ADD												

### Training Locations

ADD	Addison, IL	MON	Montreal, Quebec
CHV	Charlottesville, VA	ROC	Rochester, NY
COL	Columbia, SC	SF	Southfield, MI
HUN	Huntsville, AL		
IND	Indianapolis, IN		
LEW	Lewisburg, WV		
LA	Los Angeles, CA		
MIS	Mississauga, ON		

## Simulators

Simulators can be used for in-house training programs, as a test-bench to help troubleshoot system problems and as a “crash-cart” for quick changeover of production-critical control systems.

Simulators are designed to specifically meet the needs of each manufacturing facility by using the same CNC components as installed in the facility machine tools. The design allows for easy access to all hardware and it can also be customized to suit specific needs. Customers may select control only simulators or both control plus drives simulators.

GE Fanuc pre-builds popular simulator configurations for quick delivery. Control types generally include Series 21i, 16i and 18i. These systems are offered with an Operator Panel and an I/O rack to simulate machine tool inputs and outputs. The hardware is mounted in a lightweight aluminum frame that permits easy visualization of the system components.

For assistance with a request for quotation, a GE Fanuc representative is available to help identify the system bill of materials. Interested customers are invited to contact GE Fanuc via our toll-free number or website.

Typical pricing is as follows (this is provided for budgetary purposes only):

- > Series 21i – \$16,000 US\$ Net Price
- > Series 18i – \$20,000 US\$ Net Price
- > Series 16i – \$25,000 US\$ Net Price

## InfoLink for CNC Electronic Documentation

InfoLink for CNC and InfoLink Library for CNC are electronic versions of our CNC technical publications on CD-ROM. These tools can be installed on a personal computer, and will allow you to search thousands of pages instantly. The manuals are distributed in the industry standard Adobe Acrobat format. Advanced indexing files allow you to search across multiple files for references to any topic in a fraction of the time it takes to manually locate a single listing in a paper manual. With InfoLink for CNC you can:

Have all electronic documentation of CNC technical publications on CD-ROM.

Work more efficiently and make better decisions faster with the ability to pinpoint information instantly. This will allow you to make the most of your GE Fanuc products

Maintain page integrity with full-page layout of our printed documentation

InfoLink for CNC is a single CD-ROM that includes the manuals for most of our current CNCs, drives, IO modules and Lasers. This includes most i-series CNCs, Alpha, Alpha-i and Beta drives, Model-A IO, and the C1000i, C2000i and C4000i lasers. The technical reference documents from GE Fanuc's Machine Tool Technical Support Team includes topics such as alarm codes for controls, troubleshooting diagnostics, RS-232 troubleshooting, and many more.

### Features

- > Search quickly and efficiently through thousands of pages of GE Fanuc technical documentation using the search index and query tool .
- > Technical documentation located in one convenient area .
- > Easily return to previous searched screen displays.
- > Access of GE Fanuc technical documentation from your PC

<b>Description</b>	<b>Cat. Number</b>	<b>Price</b>
CNC Info Library 1-Disk Set	44A728231-G21	\$225
CNC InfoLink CD Sep 2001 All Prod+Srv	44A728231-G02R01	\$442
Site License, per Server, 10 Simultaneous Users	44A728232-G03	\$2,499
Site License, annual update, years 2 through 5, if issued	44A728232-G04	\$399

Special Offer: up-front payment of annual fee for years 2 and 3, years 4 and 5 included at no charge.

## Series 0 Printed Documentation

### Series 0 Model A

<b>Description</b>	<b>Part No.</b>	<b>Price</b>
0/10/11/12 RS-232/RS-422 Connection Manual (Jan-87)	GFZ-60043E	\$50
0 Mate/0/00-TA Descriptions Manual (Sep-86)	GFZ-55252E	\$50
0-Model A Connection Manual (Apr-87)	GFZ-55253E	\$50
0 Macro Compiler Executer Programming Manual (Apr-87)	GFZ-55253E-1	\$50
0/00/0-Mate - TA Operation Manual	GFZ-55254E	\$50
0/00/0-Mate - Model A Maintenance Manual (Jun-90)	GFZ-55255E	\$50
0/00/0-Mate - MA Descriptions Manual (Nov-85)	GFZ-55262E	\$50
0/00/0-Mate - MA Operation Manual (Sep-86)	GFZ-55264E	\$50
OGE-Model A-2 Operation Manual (Apr-88)	GFZ-56064E	\$50
0G/00G-Model A Descriptions Manual (Jan-87)	GFZ-60052E	\$50
0G/00G-Model A Oper Manual - Sup. (Jan-87)	GFZ-60054E	\$50
0TT-Model A Connecting/Maintenance Manual (Mar-87)	GFZ-60093E	\$50
0TT-Model A Operation Manual - Sup. (Mar-87)	GFZ-60094E	\$50

### Series 0 Model B

<b>Description</b>	<b>Part No.</b>	<b>Price</b>
0P/00P-Model B Descriptions Manual (Jan-87)	GFZ-60062E	\$50
0P/00P-Model B Connection Manual (Apr-88)	GFZ-60063E1	\$50
0P/00P-Model B Operation Manual (Dec-87)	GFZ-60064E	\$50
0P/00P-Model B Maintenance Manual (Aug-87)	GFZ-60065E	\$50
0T/00T-Model B Descriptions Manual (Apr-87)	GFZ-60122E	\$50
0/00-Model B Descriptions Manual (Apr-88)	GFZ-60122E-1	\$50
0/00-Model B Series Connection Manual (Feb-88)	GFZ-60123E	\$50
0T/0M-Model B Macro Compiler/Exec. Man (Apr-87)	GFZ-60123E-1	\$50
Appendix to GFZ-60123E-1 (Jan-88)	GFZ-60123E-1	\$50
0T/00T-Model B Operation Manual (Feb-88)	GFZ-60124E	\$50
0/00-Model B Maintenance Manual (Feb-88)	GFZ-60125E	\$35
0M/00M-Model B Descriptions Manual (Apr-87)	GFZ-60132E	\$23
0M/00M-Model B Operation Manual (Dec-87)	GFZ-60134E	\$35
0MB - Operation Manual (Conv. Function for MC) (Jul-88)	GFZ-60134E-1	\$35
0/00-GB Descriptions Manual (Dec-87)	GFZ-60152E	\$23
0/00-GB Operation Manual (Oct-87)	GFZ-60154E	\$35
0-TTB Descriptions Manual (Apr-88)	GFZ-60172E	\$23
0-TTB Operation Manual (Nov-87)	GFZ-60174E	\$35

## Series 0 Model C/D

<b>Description</b>	<b>Part No.</b>	<b>Price</b>
0/00/0-Mate Descriptions Manual (Aug-92)	GFZ-61392E	\$50
0/00 Descriptions Manual (Remote Buffer) (Jul-97)	GFZ-61392EN-1	Call
0/00/0-Mate Connection Manual (Hardware) (Dec-98)	GFZ-61393E	\$50
0/0-Mate Programming Manual (Macro Compiler/Executer)(Feb-96)	GFZ-61393E-1	\$50
0/00/0-Mate Operator's Manual (Lathe)(Spanish) (Apr-93)	GFZ-61394S	\$50
0/00/0-Mate Operation and Maint Handbook (Jun-96)	GFZ-61397E	\$50
0/00/0-Mate Parameter Manual (Lathe) (Nov-96)	GFZ-61400E	\$50
0/00/0-Mate-MC Operator's Manual (Mach Center) (Spanish) (Jun-91)	GFZ-61404S	\$50
0/00/0-Mate Parameter Manual (Mach Center) (Nov-96)	GFZ-61410E	\$50
0-TF/TC Operator's Manual (Graph Conv, Lathe) (May-89)	GFZ-61424E	\$50
0-TF/TC Operator's Manual (Graph Conv, Lathe) (Jan-90)	GFZ-61424E1	\$50
0-TF/TC Operator's Manual (Graph Conv, Lathe) (Spanish) (Apr-93)	GFZ-61424S	\$50
0-MC/MF Operator's Man (Graph Conv, Mach Center) (Feb-92)	GFZ-61434E	\$50
0-MC/MF Operator's Manual (Conv, Mach Center)(Spanish) (Apr-93)	GFZ-61434S	\$50
0-TTC Operator's Manual (Feb-89)	GFZ-61444E	\$50
0-TTC Operator's Manual (Spanish) (Apr-93)	GFZ-61444S	\$50
0/00-GCC Descriptions Manual (Oct-89)	GFZ-61582E	\$50
0/00-GC Operator's Manual (Supplement)(May-89)	GFZ-61584E	\$50
0-PC Descriptions Manual (Oct-89)	GFZ-61592E	\$50
0/00-PC Connection Manual (Oct-91)	GFZ-61593E	\$50
0/00-PC Operator's Manual (Jun-91)	GFZ-61594E	\$50
0/00-PC Maintenance Manual (Oct-91)	GFZ-61595E	\$50
0/00-GSC Operator's Manual (Surface Grinding) (Dec-89)	GFZ-61664E	\$50
0-LC Descriptions Manual (Jul-93)	GFZ-62242E	\$50
0-TC/TF Operator's Manual (Graph Conv, Lathe) (French)(Nov-94)	GFZ-62634F-1	\$50
0-TC/TF Operator's Manual (Graph Conv, Lathe) (German) (Nov-94)	GFZ-62634G-1	\$50
0-TC/TF Operator's Man (Graph Conv, Lathe) (Italian)(Nov-94)	GFZ-62634I-1	\$50
0-TC/TF Operator's Manual (Graph Conv, Lathe) (Spanish)(Nov-94)	GFZ-62634S-1	\$50
0-MC/MF Operator's Manual (Graph Conv, MC) (French)(Nov-94)	GFZ-62644F-1	\$50
0-MC/MF Operator's Manual (Graph Conv, MC) (German)(Nov-94)	GFZ-62644G-1	\$50
0-MC/MF Operator's Manual (Graph Conv, MC) (Italian)(Nov-94)	GFZ-62644I-1	\$50
0-MC/MF Operator's Manual (Graphic Conv, MC) (Spanish)(Nov-94)	GFZ-62644S-1	\$50
0-TTC Operator's Manual (French)(Nov-94)	GFZ-62654F	\$50
0-TTC Operator's Manual (German)(Nov-94)	GFZ-62654G	\$50
0-TTC Operator's Manual (Italian)(Nov-94)	GFZ-62654I	\$50
0-TTC Operator's Manual (Spanish)(Nov-94)	GFZ-62654S	\$50
0/00/0-Mate Connection Manual (Function) (2 volumes) (Sep-98)	GFZ-61393E-2	\$50
0/00/0-Mate Operator's Manual (Lathe)(Chinese)(Jun-97)	GFZ-61394C	\$50
0/00/0-Mate Lathe Operator's Manual (Jun-98)	GFZ-61394E	\$50
0/00/0-Mate Maintenance Manual (Chinese)(Jun-97)	GFZ-61395C	\$50
0/00/0-Mate Maintenance Manual (Nov-98)	GFZ-61395E	\$50
0/00/0-Mate Maintenance Manual (French)(Jun-97)	GFZ-61395F	Call
0/00/0-Mate Maintenance Manual (German)(Jun-97)	GFZ-61395G	Call
0/00/0-Mate Maintenance Manual (Italian)(Jun-97)	GFZ-61395I	Call
0/00/0-Mate Maintenance Manual (Spanish)(Jun-97)	GFZ-61395S	\$50

### Series 0 Model C/D (cont.)

<b>Description</b>	<b>Part No.</b>	<b>Price</b>
0/00/0-Mate Operator's Manual (Mach Center) (Chinese)(Jun-97)	GFZ-61404C	\$50
0/00/0-Mate for Machining Ctr Operator's Manual (Jun-98)	GFZ-61404E	\$50
0/00/0-Mate Operator's Manual (Lathe) (French)(Jun-97)	GFZ-62634F	\$35
0/00/0-Mate Operator's Manual (Lathe) (German)(Jun-97)	GFZ-62634G	\$35
0/00/0-Mate Operator's Manual (Lathe) (Italian)(Jun-97)	GFZ-62634I	\$35
0/00/0-Mate Operator's Manual (Lathe) (Spanish)(Jun-97)	GFZ-62634S	\$35
0/00/0-Mate Operator's Manual (Mach Center) (French)(Jun-97)	GFZ-62644F	\$35
0/00/0-Mate Operator's Manual (Mach Center) (German)(Jun-97)	GFZ-62644G	\$35
0/00/0-Mate Operator's Manual (Mach Center) (Italian)(Jun-97)	GFZ-62644I	\$35
0/00/0-Mate Operator's Manual (Mach Center) (Spanish)(Jun-97)	GFZ-62644S	\$35
Setting Functional Parameters for the Series 0-D CNC (Mar-99)	GFK-1569	Call
0-TD/0-MD Descriptions Manual (Dec-94)	GFZ-62542EN	\$23
0-TD/0-MD Connection Manual (Function) (Mar-97)	GFZ-62543EN-1	\$35
0-TD/0-GCD Operator's Manual (Feb-97)	GFZ-62544EN	\$35
0-TD/0-MD Maintenance Manual (Feb-97)	GFZ-62545EN	\$35
0-TD/0-GCD Parameter Manual (Mar-97)	GFZ-62550EN	Call
0-MD/0-GSD Operator's Manual (Feb-97)	GFZ-62574EN	\$35
0-MD/0-GSD Parameter Manual (Mar-97)	GFZ-62580EN	\$35
0-TD/0-GCD, 0-MD/-0-GSD, 0-PD Connection Manual (HW)(Jul-97)	GFZ-62543EN	\$35
Series 0-PD Connection Manual (Function)(Jul-97)	GFZ-62973EN	Call
Series 0-PD Operator's Manual (Nov-97)	GFZ-62974EN	\$35
Series 0-PD Maintenance Manual (Dec-97)	GFZ-62975EN	\$35

### Series 0 i Model A

<b>Description</b>	<b>Part No.</b>	<b>Price</b>
Descriptions Manual (May-00)	GFZ-63502EN	\$23
Connection Manual (Hardware)(Mar-03)	GFZ-63503EN	\$35
Connection Manual (Function) (May-00)	GFZ-63503EN-1	\$35
Maintenance Manual (Mar-03)	GFZ-63505EN	\$35
Parameter Manual (Jun-00)	GFZ-63510EN	\$35
Series 0i-MA Operator's Manual (Jun-00)	GFZ-63514EN	\$35

### Series 0LE Model B4

<b>Description</b>	<b>Part No.</b>	<b>Price</b>
0LE-Model B-4 Descriptions Manual (Feb-93)	GFZ-62232E	\$23
0LE-Model B-4 Connection Manual (Jun-93)	GFZ-62233E	\$35
0LE-Model B-4 Operator's Manual (Jul-93)	GFZ-62234E	\$35
0LE-Model B-4 Maintenance Manual (Jun-93)	GFZ-62235E	\$35

FANUC CNC Parts



## Series 10/11/12 Printed Documentation

### Series 10/11/12

<b>Description</b>	<b>Part No.</b>	<b>Price</b>
Operator's Manual 10/11/12/100 (Appendixes) (Feb-88)	GFZ-54810E	\$50
Descriptions Manual 10T/11T/12T/100T-Model A (Jun-87)	GFZ-54812E	\$50
Connection Manual 10/11/12/100 (Jan-89)	GFZ-54813E	\$50
Connection Manual 10/11-F3/F6 (Oct-03)	GFZ-54813E-2	\$50
Connection Manual 10/11/12 (BMI) (Jan-88)	GFZ-54813E-3	\$50
Operation/Program Manual 10/11/12-TA - Requires 54810E (May-87)	GFZ-54814E	\$50
Incr System C Supp Operation Manual 10/11/12 (Oct-85)	GFZ-54814E-1	\$50
Maintenance Manual 10/100, 11/110, 12/120 (2 volumes) (May-87)	GFZ-54815E	\$50
Descriptions Manual 10/11/12-MA (Jun-87)	GFZ-54822E	\$50
Operation/Programming Manual 10/11/12-MA (Jun-87)	GFZ-54824E	\$50
Connection Manual 10/11-TE and 10/11-ME and 11-TTE (Oct-03)	GFZ-55173E	\$50

### Series 11

<b>Description</b>	<b>Part No.</b>	<b>Price</b>
0/10/11/12 RS-232/RS-422 Connection Manual (Jan-87)	GFZ-60043E	\$50
11-MF Connection Manual (CAP)(Mar-88)	GFZ-54813E-1	\$35
11TT-Model A Operation/Programming Manual (Mar-86)	GFZ-54874E	\$35
11-MF Operation/Programming Manual (Dec-86)	GFZ-54894E	\$50
11TTF-Model A Operation/Programming Manual (Jan-87)	GFZ-55094E	\$50
11-MF Operation Manual (Jun-87)	GFZ-60004E	\$50
11-TTE-Model A-2 Connection Manual (Apr-89)	GFZ-61553E	\$50
11-TTE-Model A-2 Connection Manual (BMI) (May-89)	GFZ-61553E1	\$50
11-TTE-Model A-2 Operator's Manual (Aug-90)	GFZ-61554E	\$50
11-TTE-Model A-2 Maintenance Manual (Aug-90)	GFZ-61555E	\$50
11TE Model A-3 Operator's Manual	GFZ-61764E	\$50

### Series 12

<b>Description</b>	<b>Part No.</b>	<b>Price</b>
12-MA Connection Manual (Supplement) (Apr-87)	GFZ-54813E-4	\$50
12-MA Maintenance Manual (Mar-88)	GFZ-54815E-1	\$50
12-MA Operation Manual (Supplement) (Mar-87)	GFZ-54824E-1	\$50
12-MA Descriptions Manual (Supplement) (Sep-87)	GFZ-54862E-1	\$23



## Series 15 Printed Documentation

### Series 15 Model A

<b>Description</b>	<b>Part No.</b>	<b>Price</b>
15-TF/TTF Operator's Manual (CAP) (Aug-90)	GFZ-61234E	\$50
15-TF/TTF Operator's Manual (CAP) (Spanish) (Apr-93)	GFZ-61234S	\$50
15-MF Programming Manual (Conv Funct Prod) (Dec-93)	GFZ-61263E	\$50
15-MF Operation Manual (Nov-93)	GFZ-61264E	\$50
15-MF Operation Manual (Oct-89)	GFZ-61264E1	\$50
15-MF Operation Manual (Spanish) (Apr-93)	GFZ-61264S	\$50
IPI - A16B-2200-0690 Axis control PCB for Series 15-A (Jan-03)	GFK-2034	Call
15-TA/TF/TTA/TTF/150-TA Descriptions Manual (Dec-89)	GFZ-61212E	\$50
15-TA/TF/TTA/TTF/150-TA Desc Manual (Spanish) (Apr-93)	GFZ-61212S	\$50
15/150 Connection Manual (Oct-92)	GFZ-61213E	\$50
15-TA/TF/MA/MF Conn Manual (Series 3/6 Interf)(Mar-88)	GFZ-61213E-1	\$50
15-TA/TF/TTA/TTF/MA/MF Conn Man (BMI Interf) (Aug-90)	GFZ-61213E-2	\$50
15 Macro Compiler/Macro Executer Progr Manual (Dec-93)	GFZ-61213E-3	\$50
15-TA/TF/TTA/TTF/ 150-TA Operator's Man (2 vol) (Aug-92)	GFZ-61214E	\$50
15 Connection Manual (BMI Interface) (Jul-88)	GFZ-61214E-1	\$50
15-TTA Operation Manual (Troubleshoot Diagn) (Feb-90)	GFZ-61214E-2	\$50
15/150 Operation Man (Improved Function Step 11) (Aug-91)	GFZ-61214E-3	\$50
15-TA/TF/TTA/TTF/150-TA Operator's Manual (Spanish) (Apr-93)	GFZ-61214S	\$50
15/150 Maintenance Manual (Jul-93)	GFZ-61215E	\$50
15/150 Maintenance Manual (German) (Feb-90)	GFZ-61215G	\$50
15/150 Maintenance Manual (Spanish) (Jul-93)	GFZ-61215S	\$50
15-Model A Operation and Maintenance Handbook (Apr-95)	GFZ-61217EN	\$50
15/150 Operator's Manual (Appendixes) (Nov-92)	GFZ-61220E	\$50
15/150 Operator's Manual (Appendixes) (German) (Jun-91)	GFZ-61220G	\$50
15/150 Operator's Manual (Appendixes) (Spanish) (Jul-93)	GFZ-61220S	\$50
15MA/15MF/150-MA Descriptions Manual (Dec-89)	GFZ-61222E	\$50
15-TA/TF/MA/MF Descriptions Manual (Remote Buffer) (Oct-89)	GFZ-61222E1	\$50
15MA/15MF/150-MA Descriptions Manual (Spanish) (Jul-93)	GFZ-61222S	\$50
15-MA/MF/150-MA Operator's Manual (2 volumes) (Jan-93)	GFZ-61224E	\$50
15-MA/MF/150-MA Operator's Manual (German) (Jun-91)	GFZ-61224G	\$50
15-MA/MF/150-MA Operator's Manual (Italian) (Sep-95)	GFZ-61224I	\$50
15-MA/MF/150-MA Operator's Manual (Spanish) (Jul-93)	GFZ-61224S	\$50
15-MA Descriptions Manual (Apr-89)	GFZ-61532E	\$50
15-MA Connection Manual (Aug-89)	GFZ-61533E	\$50
15-MA Operator's Manual (Jun-93)	GFZ-61534E	\$50
15-MA Maintenance Manual (Aug-89)	GFZ-61535E	\$50
15-MA Descriptions Manual (Gas,Laser,Plasma,CutMach) (Aug-90)	GFZ-61622E	\$50

## Series 15ME/TE

<b>Description</b>	<b>Part No.</b>	<b>Price</b>
Descriptions Manual 15MEA/B/C/D/E/F/15TEA/B/C Model B4(Feb-94)	GFZ-62182E	\$50
Connection Manual 15MEA/B/C/D/E/F/15TEA/B/C Model B4 (Mar-93)	GFZ-62183E	\$50
Connection Manual 15MEA/B/C/D/E/F Module B4 (Jul-93)	GFZ-62183E-1	\$50
Connection Manual 15MEA/B/C/D/E/F/G/I/J Model B4 (BMI Interface)(Feb-94)	GFZ-62183E-2	\$50
Maintenance Manual 15MEA/B/C/D/F/15TEA/B/C-Module B4 (Feb-93)	GFZ-62185E	\$50
Operator's Manual (Appendixes) 15MEA/B/C/D/E/Fa/J/16TEA/B/C-B-4 (Mar-94)	GFZ-62190E	\$50
Operator's Manual 15MEE/F-Model B4 (Dec-93)	GFZ-62194E	\$50
Connection Manual 15MEG-Model B4 (Jul-93)	GFZ-62213E	\$50
Operator's Manual 15MEG-Model B4 (Feb-93)	GFZ-62214E	\$50
Maintenance Manual 15MEG-Model B-4 (Mar-93)	GFZ-62215E	\$50
Conn Man 15TEA/TEB/TEC-Model B-4 (BMI Interf) (Aug-93)	GFZ-62363E-1	\$40
Operator's Manual 15TEA/TEB/TEC-Model B-4 (Jul-93)	GFZ-62364E	\$50
Operator's Manual 15TEC-Model B-4 (Jun-93)	GFZ-62374E	\$50

## Series 15 Model B

<b>Description</b>	<b>Part No.</b>	<b>Price</b>
High-Speed A1 CNC for Nanometer Machines - 15-Model B (Mar-95)	F15B-03	Call
15-Model B Step IV Release Document (Aug-95)	GFK-1214	Call
15T/TF/TT/TTF-Model B Descriptions Manual (May-94)	GFZ-62072E	\$50
15-Model B Descriptions Manual (Remote Buffer) (Aug-95)	GFZ-62072E-1	\$50
15/150-Model B Connection Manual (Nov-98)	GFZ-62073E	\$50
15/150-Model B Connection Manual (BMI Interface) (Feb-97)	GFZ-62073E-1	\$50
15-Model B Programming Manual (Macro Compiler/Executer) (Sep-95)	GFZ-62073E-2	\$50
15-TTB Operator's Manual (Multiple-Axis Path) (Sep-94)	GFZ-62074E-1	\$50
15-Model B Maintenance Manual (May-98)	GFZ-62075E	\$50
15-Model B Maintenance Manual (German) (Jan-93)	GFZ-62075GE	\$50
15-Model B Operation and Maintenance Handbook (Aug-94)	GFZ-62077E	\$50
15/150-MB Descriptions Manual (Apr-97)	GFZ-62082E	\$50
15-Model B Descriptions Manual (Gas, Laser, Plasma)(Mar-97)	GFZ-62082EN-1	Call
Series 15-MB Supplement for Tracing/Digitizing Descriptions (Dec-94)	GFZ-62472E	Call
15-MB Connection Manual Supplement (Apr-94)	GFZ-62473E	\$50
15-MB Tracer/Digitizer Operator's (Dec-94)	GFZ-62474E	\$40
15-MB Supplement for Tracing/Digit. Maintenance Manual (Dec-97)	GFZ-62475EN	\$50
15-Model B Programming Manual (Lathe) (Sep-94)	GFZ-62554E	\$50
15-Model B Operation Manual (Lathe) (Sep-94)	GFZ-62554E-1	\$50
15-Model B Programming Manual (Lathe) (Sep-98)	GFZ-62554GE	\$50
15-Model B Operation Manual (Lathe) (Sep-98)	GFZ-62554GE-1	\$50
15/150-Model B Parameter Manual (Sep-99)	GFZ-62560E	\$50
15/150-Model B Progr Manl (Mach Center) (Jan-97)	GFZ-62564E	\$50
15/150-Model B Operator's Manual (Mach Center) (Dec-96)	GFZ-62564E-1	\$50
15-Model B Progr Manual (Mach Center) (French) (Jul-95)	GFZ-62564FR	\$50
15-Model B Operator's Man (Mach Center) (French) (Jun-95)	GFZ-62564FR-1	\$50
15-Model B Progr Manual (Mach Center) (German) (Aug-95)	GFZ-62564GE	\$50
15-Model B Operator's Man (Mach Ctr) (German) (Jun-95)	GFZ-62564GE-1	\$50
15-Model B Progr Manual (Mach Center) (Italian) (Apr-95)	GFZ-62564IT	\$50
15-Model B Operator's Man (Mach Center) (Italian) (Jun-95)	GFZ-62564IT-1	\$50
15-Model B Progr Manual (Mach Center) (Spanish) (Sep-95)	GFZ-62564SP	\$50
15-Model B Operator's Manual (Mach Center) (Spanish) (Sep-95)	GFZ-62564SP-1	\$50

## Series 15i/150i Model A

<b>Description</b>	<b>Part No.</b>	<b>Price</b>
Descriptions Manual (Sep-00)	GFZ-63322EN	\$23
Remote Buffer Desc Man (Jul-99)	GFZ-63322EN-1	\$50
Customer's Board Descriptions (May-00)	GFZ-63322EN-2	\$50
Conn Manual (Hardware) (Dec-00)	GFZ-63323EN	\$50
Connection Manual (Function 3 vols.)(Mar-00)	GFZ-63323EN-1	\$50
Programming Manual (Macro Compiler/Macro Executor) (Sep-99)	GFZ-63323EN-2	\$50
Operator's Man (Progr) (Oct-00)	GFZ-63324EN	\$50
Operator's Man (Operation) (Oct-00)	GFZ-63324EN-1	\$50
Maintenance Manual (Nov-00)	GFZ-63325EN	\$50
Parameter Manual (Oct-00)	GFZ-63330EN	\$50

## Series 15i/150i Model B

<b>Description</b>	<b>Part No.</b>	<b>Price</b>
Description	GFZ-63782EN	\$50
Connection Manual	GFZ-63783EN-1	\$50
Operator's	GFZ-63784EN-1	\$50
Maintenance Manual	GFZ-63785EN	\$50
Parameter Manual	GFZ-63790EN	\$50

## Series 16/18/21 Printed Documentation

### Series 16/18 Model A

<b>Description</b>	<b>Part No.</b>	<b>Price</b>
Supplement to GFZ-61874E-1 (Sep-95)	GFK-1250	Call
Connection Manual (Laser) (Feb-95)	GFZ-61853EN	\$50
Connection Manual (Punch)(Dec-91)	GFZ-61983E	\$50
Descriptions Manual (Jun-92)	GFZ-61802E	\$50
Descriptions Manual (Punch)(Jan-92)	GFZ-61982E	\$50
Descriptions Manual (Remote Buffer) (Oct-96)	GFZ-61802E1	\$50
Connection Manual (Apr-92)	GFZ-61803E	\$50
Operator's Manual (Laser) (Mar-92)	GFZ-61854E	\$50
Operator's Manual (Lathe) (Feb-93)	GFZ-61804E	\$50
Operator's Manual (Lathe) (Mar-93)	GFZ-61804E5	\$50
Operator's Manual (French) (Aug-92)	GFZ-61804F	\$50
Operator's Manual (Geman) (Oct-92)	GFZ-61804G	\$50
Operator's Manual (Italian) (Oct-92)	GFZ-61804I	\$50
Operator's Manual (Spanish) (Apr-93)	GFZ-61804S	\$50
Maintenance Manual (Sep-91)	GFZ-61805E	\$50
Maintenance Manual (Laser)(Apr-95)	GFZ-61855E	\$50
Maintenance Manual (Punch)(Dec-91)	GFZ-61985E	\$50
Maintenance Manual (French) (Aug-92)	GFZ-61805F	\$50
Maintenance Manual (Geman) (Aug-92)	GFZ-61805G	\$50
Maintenance Manual (Italian) (Aug-92)	GFZ-61805I	\$50
Maintenance Manual (Spanish) (Sep-92)	GFZ-61805S	\$50
Operation and Maintenance Handbook (Sep-92)	GFZ-61807E	\$50
Parameter Manual (Jun-93)	GFZ-61810E	\$50
Operator's Manual (Mach Center) (2 volumes) (Jul-93)	GFZ-61874E	\$50
16-MA CAP I Oper Mnl (for MC) (includes GFK-1250)(Mar-95)	GFZ-61874E1	\$50
Operator's Manual (Milling) (Spanish) (Apr-93)	GFZ-61874S	\$50
Operator's Manual (Lathe) (French) (Nov-94)	GFZ-62664F	\$50
Operator's Manual (Lathe) (German) (Nov-94)	GFZ-62664G	\$50
Operator's Manual (Lathe) (Italian) (Nov-94)	GFZ-62664I	\$50
Operator's Manual (Lathe) (Spanish) (Nov-94)	GFZ-62664S	\$50
Operator's Manual (Mach Center) (French) (Nov-94)	GFZ-62674F	\$50
Operator's Manual (Mach Center) (German) (Nov-94)	GFZ-62674G	\$50
Operator's Manual (Mach Center) (Italian) (Nov-94)	GFZ-62674I	\$50
Operator's Manual (Mach Center) (Spanish) (Nov-94)	GFZ-62674S	\$50
Operator's Manual (Punch)(Jan-92)	GFZ-61984E	\$50

### Series 16 TE/ME/LE

<b>Description</b>	<b>Part No.</b>	<b>Price</b>
Connection Manual 16TEA/TTEA/MEA/LEA (Mar-93)	GFZ-62263E	\$50
Operator's Manual 16TEA/TTTEA-Model B4 (Mar-93)	GFZ-62264E	\$50
Maintenance Manual 16TEA/TTEA/MEA/LEA-Model B4 (Jul-93)	GFZ-62265E	\$50
Manual16MEA-Model B-4 (May-93)	GFZ-62274E	\$50

## Series 18 TEA/MEA

<b>Description</b>	<b>Part No.</b>	<b>Price</b>
Connection Manual 18TEA/TTEA/18MEA-Model B4 (Apr-93)	GFZ-62323E	\$50
Operator's Manual 18TEA/TTEA/18MEA-Model B-4 (Mar-93)	GFZ-62324E	\$50
Maintenance Manual 18TEA/TTEA/18MEA-Model B-4 (Mar-93)	GFZ-62325E	\$50
Parameter Manual 18TEA/TTEA/MEA-Model B-4 (Jun-93)	GFZ-62330E	\$50
Operator's Manual 18MEA-Model B-4 (Apr-93)	GFZ-62334E	\$50

## Series 20 Model A

<b>Description</b>	<b>Part No.</b>	<b>Price</b>
Descriptions Manual (Jul-93)	GFZ-62172E	\$50
Descriptions Manual (Mach Center)(May-94)	GFZ-62482E	\$50
Connection Manual (Feb-95)	GFZ-62173E	\$50
Connection Manual (Mach Center)(Dec-94)	GFZ-62483E	\$50
Maintenance Manual 20-FA (Jul-94)	GFZ-62175E	\$50
Maintenance Manual (Mach Center)(May-94)	GFZ-62485E	\$50
Operator's Manual 20-FA (Jan-95)	GFZ-62174E	\$50
Operator's Manual 20-FA (Mach Guidance) (French)(Mar-95)	GFZ-62174FR-1	\$50
Operator's Manual 20-FA (Mach Guidance) (Italian) (Apr-95)	GFZ-62174IT-1	\$50
Operator's Manual 20-FA (Mach Guidance) (Spanish) (May-95)	GFZ-62174SP-1	\$50
Parameter Manual 20-FA (Apr-93)	GFZ-62180E	\$50
Operator's Manual (Lathe) (Dec-94)	GFZ-62204E	\$50
Operator's Manual (Lathe)(French) (Aug-95)	GFZ-62204FR	\$50
Operator's Manual (Lathe)(German) (Aug-95)	GFZ-62204G	\$50
Operator's Manual (Lathe)(Italian) (Sep-95)	GFZ-62204IT	\$50
Operator's Manual (Lathe)(Mach Guidance) (Italian) (Jul-95)	GFZ-62204IT-1	\$50
Operator's Manual (Lathe)(Spanish) (Sep-95)	GFZ-62204SP	\$50
Operator's Man (Lathe)(Mach Guidance) (Spanish) (Jul-95)	GFZ-62204SP-1	\$50
Operator's Manual (Mach Center)(May-94)	GFZ-62484E	\$50
Parameter Manual (Lathe)(Jun-93)	GFZ-62210E	\$50
Parameter Manual (Mach Center)(Oct-94)	GFZ-62490E	\$50

## Series 21 Model A

<b>Description</b>	<b>Part No.</b>	<b>Price</b>
Connection Manual (Lathe)(Oct-93)	GFZ-62403E	\$40
Operator's Manual (Lathe)(Jul-96)	GFZ-62404E	\$50
Maintenance Manual (Lathe)(May-96)	GFZ-62405E	\$50
Parameter Manual (Lathe)(Jul-96)	GFZ-62410E	\$50
Connection Manual (Grinding)(Oct-93)	GFZ-62393E	\$40
Operator's Manual (Grinding)(Dec-93)	GFZ-62394E	\$50
Operator's Manual (Grinding)(Oct-93)	GFZ-62395E	\$50
Parameter Manual (Grinding)(Dec-93)	GFZ-62400E	\$50

## Series 16/18 Model B

<u>Description</u>	<u>Part No.</u>	<u>Price</u>
Connection Manual (Hardware) (Nov-94)	GFZ-62443E	\$50
Connection Manual (Function, 2 vol) (Jan-95)	GFZ-62443E-1	\$50
Connection Manual (Laser)(Apr-95)	GFZ-62593EN	\$50
Connection Manual (Punch) (Oct-95)	GFZ-62623EN	\$38
Descriptions Manual (Nov-94)	GFZ-62442E	\$50
Descriptions Manual (Laser)(Jul-95)	GFZ-62592EN	Call
Descriptions Manual (Punch)(Mar-95)	GFZ-62622EN	\$50
Maintenance Manual (Jan-95)	GFZ-62445E	\$50
Maintenance Manual (Laser)(May-95)	GFZ-62595EN	\$50
Operator's Manual (Laser)(Feb-95)	GFZ-62594EN	\$50
Operator's Manual (Laser)(French) (Feb-98)	GFZ-62594FR	\$50
Operator's Manual (Laser)(German) (May-96)	GFZ-62594GE	\$50
Operator's Manual (Laser)(Italian) (Apr-98)	GFZ-62594IT	\$50
Operator's Manual (Lathe, 2 vol) (Feb-95)	GFZ-62444E	\$50
Operator's Manual (Lathe, French) (Dec-95)	GFZ-62444FR	\$50
Operator's Manual (Lathe, German) (Dec-95)	GFZ-62444GE	\$50
Operator's Manual (Lathe, Italian) (Jan-96)	GFZ-62444IT	\$50
Operator's Manual (Lathe, Spanish) (Feb-96)	GFZ-62444SP	\$50
Operator's Manual (Mach Center, 2 volumes) (Apr-95)	GFZ-62454E	\$50
Operator's Manual (Mach Center, French) (Dec-95)	GFZ-62454FR	\$50
Operator's Manual (Mach Center, German) (Nov-95)	GFZ-62454GE	\$50
Operator's Manual (Mach Center, Italian) (Dec-95)	GFZ-62454IT	\$50
Operator's Manual (Mach Center, Spanish)(Mar-95)	GFZ-62454SP	\$50
Operator's Manual (Punch)(Dec-95)	GFZ-62624EN	\$50
Operator's Manual (Punch)(French) (Feb-96)	GFZ-62624FR	\$50
Operator's Manual (Punch)(Italian)(Mar-96)	GFZ-62624IT	\$50
Operator's Manual (Punch)(Spanish) (Jan-96)	GFZ-62624SP	\$50
Operator's and Maint Handbook (May-94)	GFZ-62447E	\$50
Parameter Manual (Nov-94)	GFZ-62450E	\$50
Parameter Manual (Laser)(May-95)	GFZ-62600EN	\$50
Parameter Manual (Punch)(Nov-95)	GFZ-62630EN	\$50
Data Server Hard Drive for 16/18-B/C and 15-B (Dec-00)	GFK-1899	Call
16/18-Model B/C & 16i/18i-Model A Programming Manual (C Language Executor) (May-97)	GFZ-62443EN-3	\$50
16/18/21/16i/18i/21i Con Man (Loader Control) (Aug-97)	GFZ-62443EN-2	\$50

## Series 18 LNB

<u>Description</u>	<u>Part No.</u>	<u>Price</u>
Connection Manual (May-97)	GFZ-62893EN	\$50
Operator's Manual (May-97)	GFZ-62894EN	Call
Maintenance Manual (May-97)	GFZ-62895EN	\$50
Operation & Maint Handbook (Sep-97)	GFZ-62897EN	\$50
Parameter Manual (May-97)	GFZ-62900EN	Call

## Series 21 Model B

<b>Description</b>	<b>Part No.</b>	<b>Price</b>
Descriptions Manual (Nov-96)	GFZ-62702EN	\$50
Connection Manual (Hardware) (Chinese) (Apr-98)	GFZ-62703CM	\$50
Connection Manual (Function) (Chinese) (Apr-98)	GFZ-62703CM-1	\$50
Connection Manual (Hardware) (Oct-96)	GFZ-62703EN	\$50
Connection Manual (Function) (Oct-96)	GFZ-62703EN-1	\$50
Connection Manual (Feb-95)	GFZ-62533E	\$50
Operator's Manual (Lathe) (Oct-97)	GFZ-62534E	\$50
Operator's Manual (Lathe) (French)(Mar-95)	GFZ-62534FR	\$50
Operator's Manual (Lathe) (German)(Mar-95)	GFZ-62534GE	\$50
Operator's Manual (Lathe) (Italian) (Jun-95)	GFZ-62534IT	\$50
Operator's Manual (Lathe) (Spanish) (Jul-95)	GFZ-62534SP	\$50
Maintenance Manual (Nov-94)	GFZ-62535E	\$50
Maintenance Manual (Oct-97)	GFZ-62705EN	\$50
Operator's Manual (Mach Center) (Sep-97)	GFZ-62704EN	\$50
Operator's Manual (Mach Center) (French) (Jul-95)	GFZ-62704FR	\$50
Operator's Manual (Mach Center) (Geman) (Jul-95)	GFZ-62704GE	\$50
Operator's Manual (Mach Center) (Italian) (Oct-95)	GFZ-62704IT	\$50
Parameter Manual (Dec-94)	GFZ-62540EN	\$50
Parameter Manual (Sep-97)	GFZ-62710EN	\$50



## Series 16/18 Model C

<b>Description</b>	<b>Part No.</b>	<b>Price</b>
Connection Manual (Hardware) (Nov-95)	GFZ-62753EN	\$50
Connection Manual (Function) (3 vol) (Feb-96)	GFZ-62753EN-1	\$50
Connection Manual (Punch)(Function) (Jun-96)	GFZ-62773EN	\$50
Descriptions Manual (Feb-96)	GFZ-62752EN	\$50
Descriptions Manual (Punch) (Jun-96)	GFZ-62772EN	\$50
Maintenance Manual (Dec-95)	GFZ-62755EN	\$50
Maintenance Manual (French) (May-97)	GFZ-62755FR	Call
Maintenance Manual (Geman) (Dec-96)	GFZ-62755GE	Call
Maintenance Manual (Italian) (Jun-97)	GFZ-62755IT	\$50
Maintenance Manual (Spanish) (Jul-97)	GFZ-62755SP	\$50
Operation & Maint Handbook (Jul-96)	GFZ-62757EN	\$50
Operator's Manual (Lathe) (2 volumes) (Dec-95)	GFZ-62754EN	\$50
Operator's Manual (Lathe, French) (Aug-96)	GFZ-62754FR	\$50
Operator's Manual (Lathe, Geman) (Jun-96)	GFZ-62754GE	\$50
Operator's Manual (Lathe, Italian) (Nov-96)	GFZ-62754IT	\$50
Operator's Manual (Lathe, Spanish) (Nov-96)	GFZ-62754SP	\$50
Operator's Manual (Mach Center) (Dec-95)	GFZ-62764EN	\$50
Operator's Manual (Mach Center, French) (Jul-96)	GFZ-62764FR	\$50
Operator's Manual (Mach Center, Geman) (Jun-96)	GFZ-62764GE	\$50
Operator's Manual (Mach Center, Italian) (Oct-96)	GFZ-62764IT	\$50
Operator's Manual (Mach Center, Portuguese) (Feb-98)	GFZ-62764PO	\$50
Operator's Manual (Mach Center, Spanish) (Nov-96)	GFZ-62764SP	\$50
Operator's Manual (Punch) (Jun-96)	GFZ-62774EN	\$50
Parameter Manual (Dec-95)	GFZ-62760EN	\$50
Parameter Manual (Punch) (May-96)	GFZ-62780EN	\$50
Parameter Manuel (French) (Aug-96)	GFZ-62760FR	\$50
Parameter Manual (German) (Jul-96)	GFZ-62760GE	\$50
Parameter Manual (Italian) (Sep-96)	GFZ-62760IT	\$50
Parameter Manual (Spanish) (Aug-96)	GFZ-62760SP	\$50

## Series 16i/18i/20i/21i Model A

<b>Description</b>	<b>Part No.</b>	<b>Price</b>
Connection Manual (Function) (Sep-99)	GFZ-63003EN-1	\$50
Connection Manual (Laser) (Aug-00)	GFZ-63193EN	\$50
Connection Manual (Function) (Punch) (Sep-97)	GFZ-63123EN	\$50
Descriptions Manual (Laser) (Nov-00)	GFZ-63192EN	\$50
Descriptions Manual (Punch) (Oct-97)	GFZ-63122EN	\$50
DeviceNet Board Operator's Manual (Mar-00)	GFZ-63404EN	\$50
IPI for FSSB Servo Amplifiers (May-00)	GFK-1854	Call
Startup Guide Series 21i/210i - Model A Startup Guide (Jan-98)	GFK-1505	\$38
Description Manual (Aug-99)	GFZ-63002EN	\$50
Connection Manual (Hardware) (Jul-00)	GFZ-63003EN	\$50
Maintenance Manual (2 vols) (Oct-99)	GFZ-63005EN	\$50
Maintenance Manual (French) (Aug-98)	GFZ-63005FR	\$50
Maintenance Manual (German) (Aug-98)	GFZ-63005GE	\$50
Maintenance Manual (Italian) (Jul-98)	GFZ-63005IT	\$50
Maintenance Manual (Spanish) (Sep-98)	GFZ-63005SP	\$50
Maintenance Manual (Laser) (Mar-98)	GFZ-63195EN	\$50
Manual Guide Programming Manual (Lathe) (Mar-03)	GFZ-63343EN	\$50
Manual Guide Operator's Manual (Lathe) (Jul-98)	GFZ-63344EN	\$50
Manual Guide Operator's Manual (Lathe, French) (Jan-99)	GFZ-63344FR	\$50
Manual Guide Operator's Manual (Lathe, German) (Jan-99)	GFZ-63344GE	\$50
Manual Guide Operator's Manual (Lathe, Italian) (Jan-99)	GFZ-63344IT	\$50
Manual Guide Operator's Manual (Lathe, Spanish) (Jan-99)	GFZ-63344SP	\$50
FL-net Board Operator's Manual (Dec-99)	GFZ-63434EN	\$50
Operator's Manual (Laser, 2 volumes) (Aug-00)	GFZ-63194EN	\$50
Operator's Manual (Laser, German) (Oct-99)	GFZ-63194GE	\$50
Operator's Manual (Lathe) (Feb-00)	GFZ-63004EN	\$50
Operator's Manual (Lathe, French) (Feb-98)	GFZ-63004FR	\$50
Operator's Manual (Lathe, German) (Feb-98)	GFZ-63004GE	\$50
Operator's Manual (Lathe, Italian) (Feb-98)	GFZ-63004IT	\$50
Operator's Manual (Lathe, Portuguese) (Nov-98)	GFZ-63004PO	\$50
Operator's Manual (Lathe, Spanish) (Apr-98)	GFZ-63004SP	\$50
Operator's Manual (Mach Center) (Apr-00)	GFZ-63014EN	\$50
Operator's Manual (Mach Center, French) (Feb-98)	GFZ-63014FR	\$50
Operator's Manual (Mach Center, German) (Feb-98)	GFZ-63014GE	\$50
Operator's Manual (Mach Center, Italian) (Mar-98)	GFZ-63014IT	\$50
Operator's Manual (Mach Center, Portuguese) (Aug-98)	GFZ-63014PO	\$50
Operator's Manual (Mach Center, Spanish) (Mar-98)	GFZ-63014SP	\$50
Operator's Manual (Punch) (Sep-97)	GFZ-63124EN	\$50
Operator's Manual (Laser/Punch) (Dec-98)	GFZ-63234EN	\$50
Operator Panels for i Series Controls User's Manual (May-00)	GFK-1478C	\$30
Operation & Maint Handbook (Sep-97)	GFZ-63007EN	\$50
Parameter (Feb-03)	GFZ-63010EN	\$50
Parameter Manual (French) (May-98)	GFZ-63010FR	\$50
Parameter Manual (German) (May-98)	GFZ-63010GE	\$50
Parameter Manual (Spanish) (May-98)	GFZ-63010SP	\$50
Parameter Manual (Punch) (Sep-97)	GFZ-63130EN	\$50
Parameter Manual (Laser) (Aug-00)	GFZ-63200EN	\$50

## Series 20i Model A

<b>Description</b>	<b>Part No.</b>	<b>Price</b>
Operator's Manual Series 20/20i-FA (Machining Guidance) (Jul-99)	GFZ-62174E-1	\$50
Operator's Manual Series (Lathe) (Machining Guidance) (Jul-99)	GFZ-62204E-1	\$50
Operator's Manual Lathe (Aug-99)	GFZ-63374EN	\$50
Parameter Manual (Nov-00)	GFZ-63380EN	\$50
Operator's Manual (Mach Center) (Aug-99)	GFZ-63384EN	\$50

## Series 21i/210i Model A

<b>Description</b>	<b>Part No.</b>	<b>Price</b>
Connection Manual (Hardware) (Aug-98)	GFZ-63083EN	\$50
Operator's Manual (Lathe) (2 volumes) (Apr-00)	GFZ-63084EN	\$50
Operator's Manual (Lathe) (French) (Feb-98)	GFZ-63084FR	\$50
Operator's Manual (Lathe) (German) (Feb-98)	GFZ-63084GE	\$50
Operator's Manual (Lathe) (Italian)(Mar-98)	GFZ-63084IT	\$50
Operator's Manual (Lathe) (Portuguese) (Jan-99)	GFZ-63084PO	\$50
Operator's Manual (Lathe) (Spanish) (Apr-98)	GFZ-63084SP	\$50
Maintenance Manual (Dec-98)	GFZ-63085EN	\$50
Maintenance Manual (French) (Sep-98)	GFZ-63085FR	\$50
Maintenance Manual (German) (Sep-98)	GFZ-63085GE	\$50
Maintenance Manual (Italian) (Jul-98)	GFZ-63085IT	\$50
Maintenance Manual (Spanish) (Sep-98)	GFZ-63085SP	\$50
Parameter Manual (Feb-03)	GFZ-63090EN	\$50
Parameter Manual (Italian) (May-98)	GFZ-63090IT	\$50
Parameter Manual (Spanish) (May-98)	GFZ-63090SP	\$50
Operator's Manual (Mach Center) (Apr-00)	GFZ-63094EN	\$50
Operator's Manual (Mach Center) Supplement (Jun-00)	GFZ-63094EN-S	\$50
Operator's Manual (Mach Center) (French) (Feb-98)	GFZ-63094FR	\$50
Operator's Manual (Mach Center) (German) (Feb-98)	GFZ-63094GE	\$50
Operator's Manual (Mach Center) (Italian) (Feb-98)	GFZ-63094IT	\$50
Operator's Man (Mach Center) (Portuguese) (Jan-99)	GFZ-63094PO	\$50
Operator's Manual (Mach Center) (Spanish)(Mar-98)	GFZ-63094SP	\$50

## Series 16i/18i Model B

<b>Description</b>	<b>Part No.</b>	<b>Price</b>
Connection Manual (Hardware) (Jun-03)	GFZ-63523EN	\$50
Connection Manual (Function)(5 volumes) (Jun-03)	GFZ-63523EN-1	\$50
Connection (Punch) (Feb-03)	GFZ-63683EN	\$50
Descriptions Manual (Apr-03)	GFZ-63522EN	\$50
Description (Punch) (Nov-03)	GFZ-63682EN	\$50
Data Server Hard Drive for 16i/18i - A series (Dec-00)	GFK-1900	Call
Maintenance Manual (2 vols) (Jun-03)	GFZ-63525EN	\$50
Operator's (Punch) (Feb-03)	GFZ-63684EN	\$50
Operator's Manual (Lathe, 2 vols) (Jan-03)	GFZ-63524EN	\$50
Operator's Man-3 vols (Jan-03)	GFZ-63534EN	\$50
Parameter Manual (Feb-03)	GFZ-63530EN	\$50
Parameter (Punch) (Feb-03)	GFZ-63690EN	\$50
Descriptions Manual (Apr-03)	GFZ-63522EN	\$50
Operator's Manual (Machining, 3 vols) (Jan-03)	GFZ-63534EN	\$50

## Series 21i/210i Model B

<b>Description</b>	<b>Part No.</b>	<b>Price</b>
Descriptions Manual (Apr-03)	GFZ-63522EN	\$50
Operator's Manual (Lathe) (2vols) (Jul-03)	GFZ-63604EN	\$38
Operator's Manual (2vols) (Jul-03)	GFZ-63614EN	\$50
Parameter (Apr-03)	GFZ-63610EN	\$50

## Power Mate Printed Documentation

### Power Mate

<b>Description</b>	<b>Part No.</b>	<b>Price</b>
Beta Servo Product Specification Guide(Mar-97)	GFH-001B	\$15
Supplement to GFZ-62115E (Nov-95)	GFK-1253	Call
Beta Servo Maint with I/O Link Connection Manual (Nov-96)	GFK-1402	\$38
Beta Series Servo Demo Case User's Manual(Mar-99)	GFK-1420A	Call
Power Mate Single/Dual-Axis Product Summary (Sep-92)	GFZ-0064A	Call

### Power Mate A/B/C

<b>Description</b>	<b>Part No.</b>	<b>Price</b>
Power Mate A/B/C Descriptions Manual (Nov-91)	GFZ-61612E	\$50
Power Mate A Connect/Program/Maint Manual (2 volumes) (Dec-91)	GFZ-61613E	\$50
Power Mate A Conn/Program/Maint Manual (Spanish) (Apr-93)	GFZ-61613S	\$50
Power Mate A/B Operator's Manual (May-91)	GFZ-61614E	\$50
Power Mate A/B Operator's Manual (Spanish) (Apr-93)	GFZ-61614S	\$50
Power Mate A Operation and Maint Handbook (Apr-95)	GFZ-61617EN	\$50
Power Mate C Connect/Program/Maint Manual (Dec-92)	GFZ-61933E	\$50

### Power Mate D/F

<b>Description</b>	<b>Part No.</b>	<b>Price</b>
Startup Guide for Power Mate D (Apr-94)	GFK-1027	\$40
Power Mate D/F Descriptions Manual(Mar-94)	GFZ-62092E	\$50
Power Mate D/F Programming Manual (Apr-94)	GFZ-62093E	\$50
Power Mate D/H Programming Manual (Macro Comp/Executer) (Sep-98)	GFZ-62093E-1	\$50
Power Mate D/F Operator's Manual (Jan-96)	GFZ-62094E	\$50
Power Mate D/F Operator's Manual (French) (Jul-95)	GFZ-62094FR	\$50
Power Mate D/F Operator's Manual (German) (Jun-95)	GFZ-62094GE	\$50
Power Mate D/F Operator's Manual (Italian) (Jun-95)	GFZ-62094IT	\$50
Power Mate D/F Operator's Manual (Spanish, 2 vol) (Oct-95)	GFZ-62094SP	\$50
Power Mate D/F Operation and Maint Manual (Jan-97)	GFZ-62097EN	\$50
Power Mate D/F Motion Controllers Conn Manual (Chinese) (Apr-98)	GFZ-62833CM	\$50
Power Mate D/F Connection Manual (2 volumes) (Oct-96)	GFZ-62833EN	\$50
Power Mate D/F Maintenance Manual (Chinese) (Apr-98)	GFZ-62835CM	\$50
Power Mate D/F Maintenance Manual (Oct-96)	GFZ-62835EN	\$50

### Power Mate E

<b>Description</b>	<b>Part No.</b>	<b>Price</b>
Power Mate E Descriptions Manual (May-93)	GFZ-62112E	\$50
Power Mate E Programming Manual(Mar-93)	GFZ-62113E	\$50
Power Mate E Operator's Manual (Jan-95)	GFZ-62114E	\$50
Power Mate E Connection and Maintenance Manual (includes GFK-1253)(Mar-94)	GFZ-62115E	\$50

## Power Mate H

<b>Description</b>	<b>Part No.</b>	<b>Price</b>
Power Mate H Startup Guide (Apr-97)	GFK-1383A	\$30
Power Mate H Motion Controller Operation & Maintenance Handbook (Nov-97)	GFK-1477	\$38
Power Mate H Descriptions Manual (Aug-95)	GFZ-62682EN	\$50
Power Mate H Connection Manual (Jun-98)	GFZ-62683EN	\$50
Power Mate H Operator's Manual (Jan-96)	GFZ-62684EN	\$50
Power Mate H Operator's Manual (HSSB) (Jan-97)	GFZ-62684EN-1	\$50
Power Mate H Operator's Manual (French) (May-95)	GFZ-62684FR	\$50
Power Mate H Operator's Manual (German) (May-95)	GFZ-62684GE	\$50
Power Mate H Operator's Manual (Italian) (Oct-95)	GFZ-62684IT	\$50
Power Mate H Maintenance Manual (Dec-97)	GFZ-62685EN	\$50
Power Mate D/H Programming Manual (Macro Comp/Executer) (Sep-98)	GFZ-62093E-1	\$50

## Power Mate I

<b>Description</b>	<b>Part No.</b>	<b>Price</b>
Power Mate I Software Toolkit User's Manual (May-96)	GFK-1274	Call
Supplement to GFZ-62683EN (Jan-96)	GFK-1281	Call
Power Mate I Supplement (Jul-96)	GFK-1310	Call
Power Mate I Startup Guide (Jul-96)	GFK-1311	Call
Power Mate I Connection Manual (Jul-95)	GFZ-62733EN	\$38
Power Mate I Operator's Manual (Jul-95)	GFZ-62734EN	\$38
Power Mate I Maintenance Manual (Jul-95)	GFZ-62735EN	\$50

## Power Mate i D/H

<b>Description</b>	<b>Part No.</b>	<b>Price</b>
Power Mate i-Models D/H Description Manual (Sep-98)	GFZ-63172EN	\$50
Power Mate i-Models D/H Conn Manual (Hardware) (Feb-98)	GFZ-63173EN	\$50
Power Mate i-Models D/H Conn Man (Function, 2 vols) (Jun-98)	GFZ-63173EN-1	\$50
Power Mate i-Models D/H Operator's Manual (Aug-98)	GFZ-63174EN	\$50
Power Mate i-Models D/H Operator's Manual (German) (Sep-99)	GFZ-63174GE	\$50
Power Mate i-Models D/H Operator's Manual (Italian) (Sep-99)	GFZ-63174IT	\$50
Power Mate i-Models D/H Maintenance Manual (Nov-99)	GFZ-63175EN	\$50
Power Mate i-Models D/H Parameter Manual (Mar-98)	GFZ-63180EN	\$50
Power Mate i-LNA Connection Manual (Hardware) (May-00)	GFZ-63413EN	\$50

## Power Mate 0

<b>Description</b>	<b>Part No.</b>	<b>Price</b>
Power Mate 0 Connection Manual (Feb-00)	GFZ-63443EN	\$50
Power Mate 0 Operator's Manual (Feb-00)	GFZ-63444EN	\$50
Power Mate 0 Maintenance Manual (Feb-00)	GFZ-63445EN	\$50
Power Mate I Operator's Manual (Jul-95)	GFZ-72734EN	\$50

## *Position Mate*

Position Mate A/B/C/D/E Descriptions Manual (Apr-88)	GFZ-54322E	\$50
Position Mate A Connection/Maintenance Manual (Aug-88)	GFZ-54323E	\$50
Position Mate A Operator's Manual	GFZ-54324E	\$50
Position Mate B/C/D Connection/Progr/Maint (Jan-89)	GFZ-54363E	\$50
Position Mate C Operator's Manual (Mar-87)	GFZ-54364E	\$50
Position Mate D Operator's Manual (May-83)	GFZ-54384E	\$50
Position Mate B Operator's Manual (Aug-87)	GFZ-54504E	\$50
Position Mate E Connection/Maintenance Manual (Jan-87)	GFZ-60073E	\$50
Position Mate E Operation Manual (Jan-87)	GFZ-60074E	\$50
Power Mate i - Model D / H Operation and Maintenance Handbook (Jun-03)	GFZ-63177EN	\$50
Power Mate for Series 90-30 User's Manual (Aug-96)	GFK-1256	Call
Power Mate J System, 1 Axis/2 Axis (IC693MCM001B)-IPI (Oct-96)	GFK-1378A	Call



## Servo and Spindle Printed Documentation

### Alpha i AC Servos and Spindles

<b>Description</b>	<b>Part No.</b>	<b>Price</b>
Servo Motor Description Manual (Jun-03)	GFZ-65262EN	\$50
Servo Motor Parameter Manual (May-03)	GFZ-65270EN	\$50
Spindle Motor Descriptions (Apr-03)	GFZ-65272EN	\$50
Spindle Motor Parameter Manual (Jun-03)	GFZ-65280EN	\$50
Servo Amplifier Descriptions(Mar-03)	GFZ-65282EN	\$50
Servo Motor Maintenance Manual (Jul-03)	GFZ-65285EN	\$50
FANUC LINEAR MOTOR Series	GFZ-65222EN	\$50
Servo and Spindle Motors Exposed to Liquids (Jul-00)	GFK-1046F	\$15
SVUC Amplifier - Repl for C Series Amplifier - IPI(Mar-96)	GFK-1270	Call
Supplement to GFZ-65192EN(Mar-96)	GFK-1278A	\$15
Linear Motors User's Manual (Aug-98)	GFK-1354E	\$38
Alpha Series Servo Amplifier Module (SVM) with FSSB Servo Setup Manual (Apr-98)	GFK-1546	\$38

### DC Servos

<b>Description</b>	<b>Part No.</b>	<b>Price</b>
DC Servo M Series Descriptions Manual (Nov-86)	GFZ-53262E	\$50
DC Servo M Series Operator's Manual (Apr-88)	GFZ-53264E	\$50
DC Servo M Series Maintenance Manual (Sep-81)	GFZ-53265E	\$50

### AC Servos

<b>Description</b>	<b>Part No.</b>	<b>Price</b>
AC Spindle System Descriptions Manual (Sep-88)	GFZ-53422E	\$50
AC Spindle System Operator's Manual (Sep-88)	GFZ-53424E	\$50
AC Spindle System Maintenance Manual(Mar-87)	GFZ-53425E	\$50
AC Servo System Descriptions Manual (May-86)	GFZ-54762E	\$50
AC Servo System Operator's Manual(Mar-86)	GFZ-54764E	\$50
AC Servo System Maintenance Manual (Jun-86)	GFZ-54765E	\$50
Digital Servo Adapter Connection Manual (Feb-00)	GFZ-63463EN	\$50
Digital AC Servo Motor Descriptions Manual (Dec-92)	GFZ-65002E	\$50
AC Servo Unit Maintenance Manual (Oct-92)	GFZ-65005E	\$50
AC Spindle Series S, P, VH Descriptions Manual(Mar-91)	GFZ-65012E	\$50
AC Spindle Motor S Series Operator's Manual (Feb-91)	GFZ-65014E	\$50
AC Spindle Servo Unit Maintenance Manual (May-91)	GFZ-65015E	\$50
AC Spindle i Series Descriptions Manual (Jul-88)	GFZ-65022E	\$50
AC Spindle i Series Maintenance Manual (Oct-92)	GFZ-65025E	\$50
AC Spindle S Series Descriptions Manual (4 volumes) (Jan-94)	GFZ-65042E	\$50
AC Spindle Descriptions Manual (Jun-92)	GFZ-65042E	\$50
AC Spindle Servo Unit Maintenance Manual (Jan-93)	GFZ-65045E	\$50
AC Spindle Built-In Descriptions Manual(Mar-93)	GFZ-65052E	\$50



## Alpha AC Servos and Spindles

<b>Description</b>	<b>Part No.</b>	<b>Price</b>
Servo Motor Descriptions Manual (Feb-03)	GFZ-65142E	\$25
Servo Motor Parameter Manual (Dec-99)	GFZ-65150E	\$50
Spindle Motor Descriptions Manual(Mar-96)	GFZ-65152E	\$50
Spindle Motor Parameter Manual (includes GFK-1207) (Sep-00)	GFZ-65160E	\$50
Amplifier Descriptions Manual (Chinese)(Mar-98)	GFZ-65162CM	\$50
Amplifier Descriptions Manual (includes GFK-1363) 2 vols (Dec-98)	GFZ-65162E	\$50
Control Motor Maintenance Manual (Chinese)(Mar-98)	GFZ-65165CM	\$50
Control Motor Maintenance Manual (Jul-00)	GFZ-65165E	\$50
Servo Motor Maintenance Manual (French) (Sep-99)	GFZ-65165FR	\$50
Servo Motor Maintenance Manual (German) (Sep-99)	GFZ-65165GE	\$50
Servo Motor Descriptions Manual (Jun-95)	GFZ-65182EN	\$50
Control Mtr.Amp. Servo Amplifier Unit Descriptions Manual (includes GFK-1278) (Jul-97)	GFZ-65192EN	\$50
Servo Amplifier Unit Descr Manual (SVU3) (Jun-96)	GFZ-65192EN-1	\$50
Control Motor Amplifier Maint Man (Chinese)(Mar-98)	GFZ-65195CM	\$50
Control Motor Amplifier Maintenance Manual (Aug-95)	GFZ-65195EN	\$50
Built-In Spindle Motor Descriptions Mnl(Mar-97)	GFZ-65202EN	\$50

## Beta Servos

<b>Description</b>	<b>Part No.</b>	<b>Price</b>
Control Motor Descriptions Manual (Aug-97)	GFZ-65232EN	\$50
Servo Motor Maintenance Manual (Oct-97)	GFZ-65235EN	\$50
Servo Motor Maintenance Manual (Chinese)(Mar-98)	GFZ-65235CM	\$50
Beta Series Servo Motor I/O Link Option Maintenance (Oct-99)	GFZ-65245EN	\$50

## Miscellaneous

### I/O

<b>Description</b>	<b>Part No.</b>	<b>Price</b>
I/O Unit-Model A Connection/Maintenance Manual (Feb-00)	GFZ-61813E	\$50
I/O Link II Connection Manual (Dec-98)	GFZ-62714EN	\$50
FANUC System Ext I/O Dev Supp-Operator's Man (Sep-88)	GFZ-66039E	\$50
I/O Link - II Connection Manual (Feb-03)	GFZ-62714EN	\$50
i-Series, Model A, CNC Controls option slot upgrade procedure	GFK-2082	\$4

### Operator Panels

<b>Description</b>	<b>Part No.</b>	<b>Price</b>
Machine Control Stations Operator's Panels Manual (for 16/18) (May-92)	GFK-0720	\$5
IPI EPROM Update Install. Instructions for Series 0 Type Operator Panel (May-98)	GFK-1497	Call
IPI - CNC Sink-Type Operator Panel Connection Units (A16B-220-0060/0061)(Mar-99)	GFK-1590	Call
IPI - GE Fanuc North American Operator Panel Lamp Removal Tools (Apr-99)	GFK-1593	Call

### Lasers

<b>Description</b>	<b>Part No.</b>	<b>Price</b>
Descriptions Manual (Nov-91)	GFZ-70012E	\$50
Operator's Manual (May-94)	GFZ-70014E	\$50
Maintenance Manual (Jun-94)	GFZ-70015E	\$50
Descriptions Manual (Y Series)(Aug-93)	GFZ-70052E	\$50
Operator's Manual (Series Y and YP) (Nov-00)	GFZ-70054EN	\$50
Operator's Manual Model C2000 (Oct-93)	GFZ-70064E	\$50
Maintenance Manual Model C2000 (Apr-94)	GFZ-70065E	\$50
Operator's Manual C Series (Jun-00)	GFZ-70114EN	\$50
Maintenance Manual C Series (Apr-00)	GFZ-70115EN	\$50
Operator's Manual C Series (Oct-95)	GFZ-70124EN	\$50
Maintenance Manual C Series (Dec-99)	GFZ-70125EN	\$50
Laser-Model C1000iA Operator's Manual (Oct-00)	GFZ-70254EN	Call
Laser-Model C1000iA Maintenance Manual (Dec-00)	GFZ-70255EN	Call
Laser C1000 / C2000 / C4000 - Model E Operator's Manual (Jan-03)	GFZ-70264EN	\$50

## Loader Robots

<b>Description</b>	<b>Part No.</b>	<b>Price</b>
16-TA Operator's Manual (Loader Robot) (Oct-91)	GFZ-61804E3	\$50
Loader Robot LR-0 and LR-1 (Oct-91)	GFZ-61902E	\$50
Loader Robot LR-1 Parts Manual (Aug-91)	GFZ-61906E	Call
Loader Robot LR-0, LR-1 Connection/Maintenance (Nov-91)	GFZ-67903E	\$50
Loader Robot LR-0, LR-1 Operator's Manual (Sep-91)	GFZ-67904E	\$50
Loader Robot LR-1 Operator's Manual (Quick Teach) (Jun-91)	GFZ-67904E-1	\$50
Loader Robot LR-0, LR-1 Connection/Maintenance (Oct-91)	GFZ-67933E	\$38
Loader Robot LR-0 Parts Manual (Aug-91)	GFZ-67956E	\$50
Robot LR Mate Descriptions Manual (May-93)	GFZ-80202E	\$50
Robot LR Mate Connection Manual (Jul-93)	GFZ-80203E	\$50
Robot LR Mate Operator's Manual (Hi-Perfor) (May-93)	GFZ-80204E	\$50
Robot LR Mate Operator's Manual (Simp Type) (Jan-93)	GFZ-80204E-1	\$50
Robot LR Mate Maintenance Manual (Mar-93)	GFZ-80205E	\$50
LR Mate 100 High Performance Type Teach Pendant Operator's Manual (May-96)	GFZ-80464E	\$50
LR 100 Maintenance Manual (Apr-96)	GFZ-80465E	\$50
LR Mate 100 Parts Manual (Sep-94)	GFZ-80466E	\$50
Robot (R-J2 Mate Controller) LR Tool Setup/Operat (Nov-95)	GFZ-80694EN-11	\$50
Robot LR Mate 100i Maintenance Manual (Feb-96)	GFZ-80785EN	\$50
LR Mate 100i Parts Manual (Nov-95)	GFZ-80786EN	\$50

## MMC

<b>Description</b>	<b>Part No.</b>	<b>Price</b>
MMC Programming Manual (Sep-88)	GFK-0156	\$132
MMC-II Programming Manual (Jan-92)	GFK-0604	\$40
MMC-II Application Reference Manual (Jan-92)	GFK-0605	\$40
IPI - BIOS Setup for Replacing the HDD Unit on the Old Type MMC-IV Board	GFK-1565B	Call
MMC-IV Descriptions Manual (Mar-94)	GFZ-62492E	\$50
MMC- IV Connection/Maintenance Manual (Dec-94)	GFZ-62493E	\$50
MMC-IV Operator's Manual (Sep-95)	GFZ-62494E	\$50
PROFIBUS-DP Board Operator's Manual (Nov-99)	GFZ-62924EN	\$50

## Open Systems and Communications

<b>Description</b>	<b>Part No.</b>	<b>Price</b>
MS Windows-Based Open System User's Manual (Aug-95)	GFK-1205	\$38
CNC Communications Alternatives Overview(Mar-96)	GFK-1254	Call
Windows 95/ 32-Bit Drivers & Libraries for Open CNC Systems Ref. Manual (Nov-97)	GFK-1365B	\$30
Open Sys. (Type II High Spd Ser. Bus Setup/32-Bit Wind.95/NT Apps) User's (Oct-98)	GFK-1422C	\$38
Intelligent Terminal Type 2 and i Series CNC with PC Function Startup Guide (Jan-99)	GFK-1640	\$38
Standard Operation Software Suite, Version 2.0 (IC850SWS250B) (Nov-00)	GFK-1786B	Call
DNC1 Descriptions Manual (Jul-90)	GFZ-61782E	\$50
DNC2 Descriptions Manual (Oct-97)	GFZ-61992E	\$50
Open CNC Operator's Manual (Ladder Editing) (Sep-96)	GFZ-62884EN	\$50
Basic Operation Package 1 (BOP1) for Windows 95/NT Operator's Manual (Feb-99)	GFZ-62994EN	\$50
Open CNC Operator's Manual (Screen Display Function) (Dec-99)	GFZ-63164EN	\$50
Open CNC - DNC Operation Management Package (Feb-99)	GFZ-63214EN	\$50
Open CNC Machining Status Monitor Package Descriptions Manual (Oct-98)	GFZ-63362EN	\$50
Open CNC Machining Status Monitor Package Operator's Manual (Aug-00)	GFZ-63364EN	\$50
Open CNC Ladder Editing Package (Windows) Operator's Manual (Aug-00)	GFZ-63484EN	\$50
FAPT Picture for Touch Panel Operator's Manual (Jun-98)	GFZ-66214EN	\$50
FAPT Ladder-III Operator's Manual (Jan-03)	GFZ-66234EN	\$50
FA System for PC Operator's Manual(Mar-99)	GFZ-75044EN	\$50
FACTOLINK Script Function Operator's Manual (Apr-98)	GFZ-75054EN	\$50
FACTOLINK C++ Library Function Operator's Man (Jul-98)	GFZ-75054EN-1	\$50
GEnet Factory LAN OSI-Ethernet Communications User's Manual (Oct-95)	GFK-0706F	\$40
GEnet Factory LAN OSI-Ethernet Controller - IPI (Feb-95)	GFK-0765G	Call
16-MA/TA GEnetFact LAN OSI-Ethernet (A02B-0120-J270/J271)-IPI (Feb-95)	GFK-0886B	Call
16 GEnet Fact LAN OSI-Ether (A02B-0120-J270/J271)-IPI (Feb-95)	GFK-1073B	Call
16-B GEnet Fact LAN OSI-Ether (A02B-0120-J270/J271)-IPI (Feb-95)	GFK-1095A	Call
15-B GEnet Fact LAN OSI-Ether (A02B-0120-J311/J312)-IPI (Feb-95)	GFK-1096	Call
16-B GEnet Fact LAN OSI-Ether (A02B-0120-J270/271)-IPI (Feb-95)	GFK-1102A	Call
15-B GEnet Fact LAN OSI-Ether (A02B-0162-J311/J312)-IPI (Feb-95)	GFK-1156	Call
OSI-Ethernet Ordering Instructions (Sep-95)	GFT-140C	\$15

## FAPT Software

<b>Description</b>	<b>Part No.</b>	<b>Price</b>
FAPT Picture Operator's Manual (Oct-94)	GFZ-66101E	\$50
PC FAPT Basic Module Operator's Manual (Aug-94)	GFZ-66152E	\$50
PC FAPT Milling Module Operator's Manual (Sep-94)	GFZ-66153E	\$40
FAPT Ladder II Operator's Manual (Apr-96)	GFZ-66184EN	\$50
PC FAPT Cut Operator's Manual (Feb-98)	GFZ-66192EN	Call
PC FAPT CUT Betriebshandbuch (Sep-97)	GFZ-66192GE	\$50
PC FAPT CUT Manuale dell'Operatore (Oct-97)	GFZ-66192IT	\$50
PC FAPT CUT Manual del Operador (Oct-97)	GFZ-66192SP	\$50
FAPT PICTURE & FPAssist for Windows Operator's (May-03)	GFZ-66254EN	\$38
FAPT Ladder for PC Operator's Manual (Dec-95)	GFZ-66131E	\$50
IPI - i Series CNC Product Update Notice – Spindle Encoder (Aug-99) i Series	GFK-1757	Call

## Peripherals

<b>Description</b>	<b>Part No.</b>	<b>Price</b>
ML182 Turbo Printer (44A728103-001) (Jun-90)	GFK-0536	\$4
MP3011 Plotter (44A728104-001) (Jun-90)	GFK-0537	\$4
Digitizer Tablet (44A728105-001) (Jun-90)	GFK-0538	\$4
Breakout Bd.With Cable (44A728129-G01) and Without Cable (44A728128-G-1) (May-98)	GFK-0567A	\$4
Digitizer (44A728105-002)(Mar-91)	GFK-0617	\$5
ML814 Turbo Printer (Apr-92)	GFK-0723	\$5
CNC Memory Cassette Module B/F Operator's Man (Nov-86)	GFZ-53484E	\$50
Printer/Punch Reader (PPR) Operator's Manual (Feb-87)	GFZ-54584E	\$50
Program File Operation Manual (Aug-88)	GFZ-55104E	\$50
Program File Mate Operator Manual (Jun-90)	GFZ-61004E	\$50
FA Card Operator's Manual (May-88)	GFZ-61274E	\$50
Map 3.0 Int Bd Config Utility Operator's Manual (Dec-90)	GFZ-61722E1	\$50
Handy File Operator's Manual (Apr-93)	GFZ-61834E	\$50
I/O Unit-Model B Connection Manual (Nov-98)	GFZ-62163E	\$50
FA Writer Operator's Manual (Dec-93)	GFZ-62464E	\$50
Data Server Operator's Manual (Jul-97)	GFZ-62694EN	\$50
Data Server Manuale Dell'Operatore (Italian) (Nov-00)	GFZ-62694IT	\$50
Data Server Manual Del Operador (Nov-00)	GFZ-62694SP	\$50
Floppy Cassette Adapter Operator's Manual (Sep-89)	GFZ-66040E	\$50
P-G Mate X-Y Plotter Model MP2100 Manual	MP2100-UM-101	Call
P-G FAPT Tum/Mill/Cut Operator's Manual (May-90)	GFZ-54112E	\$50
P-G FAPT DIE-II Descriptions Manual(Mar-86)	GFZ-54121E	\$50
P-G FAPT DIE-II Progr Manual (Examples) (Jun-85)	GFZ-54123E	\$50
P-G FAPT Tum/Mill/Cut Progr Manual (Examples) (Jun-86)	GFZ-54128E	\$50
P-G FAPT Tracer Operator's Manual (Apr-86)	GFZ-54158E	\$50

## PMC

PMC-I/J Connection Manual	GFZ-54803E	\$50
PMC-I/J Programming Manual (Ladder Language) (Apr-88)	GFZ-54803E-1	\$50
PMC-I/J Programming Manual (Pascal) (Jul-87)	GFZ-54803E-2	\$50
PMC-I/J Programming Manual (RS-232C Supplement) (Oct-86)	GFZ-54803E-3	\$50
PMC-I/J Maintenance Manual (Feb-86)	GFZ-54805E	\$50
PMC-Models K/L/M/P Programming Manual (Aug-91)	GFZ-55193E	\$50
PMC-N Programming Manual (Ladder Language) (Oct-92)	GFZ-61013E	\$50
PMC-N Programming Manual (Pascal) (Sep-89)	GFZ-61013E-1	\$50
PMC-N Programming Manual (C Language) (Apr-93)	GFZ-61013E-2	\$50
PMC-N/NA/RC/RC3 Progr Manual (C Language) (Sep-93)	GFZ-61013E-4	\$50
PMC-N Progr Manual (Ladder Language) (German) (Sep-88)	GFZ-61013G	\$50
PMC-PA, SA, SB, SC, NB Ladder Language Programming Manual (3 vols) (Jul-03)	GFZ-61863E	\$50
PMC Model SC/SC3/SC4/NB/NB2 C Language Programming Manual (Feb-03)	GFZ-61863E1	\$50
PMC-Module Q Programming Manual (Ladder Language) (Feb-93)	GFZ-75013E-1	\$50
PMC Model QC Programming Manual (Ladder Language) (Apr-93)	GFZ-75023E-1	\$50
Packaged DNC0-A Production User's Manual (Apr-92)	GFK-0490	\$40
PROMACRO Software Operation Manual (Nov-90)	GFK-0522	\$40
FANUC Series 0i/16/18/20/21 Macro Compiler/Macro Executor	GFZ-61803E1	Call
Manual Guide for Milling Programming Manual (May-03)	GFZ-63423EN	\$50
Manual Guide for Milling Operator's Manual (May-03)	GFZ-63424EN	\$50
FAPT MACRO COMPILER (For Personal Computer)	GFZ-66102E	\$50
CAD Die Operator's Manual (Dec-92)	GFZ-66142E	\$50
Setting up your CNC as and End Device for Remote Access	GFK-2144	Call
Series 15i/150i-Model A C Language Executor Programming Man. (Oct-00)	GFZ-63323EN-3	Call
Series 16i/18i Maintenance Lab Manual (Feb-03)	GFS-297-LAB	Call
Series 18/180 Model C Descriptions Manual (Sep-00)	GFZ-62792EN	\$50
Series 18/180 Model C Operator's Manual (Sep-00)	GFZ-62804EN	Call

## Conversational Programming

<b>Description</b>	<b>Part No.</b>	<b>Price</b>
Operator's Manual 16/18-TA (CAP I) (Aug-92)	GFZ-61804E1	\$50
Conversational Automatic Programming Function for Lathe 15-TFB & 15-TTFB/16-TA & 16-TTA CAP II 16/18-TB, 16/18-TC & 16i/18i CAP II Operator's Manual (2 vols) (Apr-98)	GFZ-61804E2	\$50
Operator's Manual 16/18-TA (Super CAP T) (Aug-93)	GFZ-61804E4	\$50
Operator's Manual 16-TA (CAP I) (French) (Feb-92)	GFZ-61804F-1	\$50
Operator's Manual 15-B/16-TA (CAP II, Lathe) (French) (Jan-96)	GFZ-61804F-2	\$50
Operator's Manual 16/18-TA (CAP I) (German) (Dec-92)	GFZ-61804G1	\$50
Operator's Manual 15-B/16-TA (CAP II, Lathe) (German) (Feb-96)	GFZ-61804G2	\$50
Operator's Manual Super Cap T (German) (Jun-93)	GFZ-61804G4	\$50
Operator's Manual 16/18-TA (CAP I) (Italian) (Dec-92)	GFZ-61804I-1	\$50
Operator's Man 15-B/16-TA (CAP II, Lathe) (Italian) (Jan-96)	GFZ-61804I-2	\$50
Operator's Manual Super Cap T (Italian) (Jun-93)	GFZ-61804I-4	\$50
Operator's Manual 15-B/16-TA (CAP II, Lathe) (Spanish) (Feb-96)	GFZ-61804S2	\$50
Programming Manual Super CAP M (Nov-94)	GFZ-62153E	\$50
Operator's Manual Super CAP M (Dec-95)	GFZ-62154E	\$50
Operator's Manual Super CAP M/II M (French) (Sep-97)	GFZ-62154FR	\$50
Operator's Manual Super CAP M/II M (German) (Mar-98)	GFZ-62154GE	\$50
Operator's Manual Super CAP M/II M (Italian) (Mar-98)	GFZ-62154IT	\$50
Operator's Manual Super CAP M/II M (Spanish) (Mar-98)	GFZ-62154SP	\$50
Operator's Manual Super CAP T/II T for 16/18-TB, 16/18-TC, 16i/18i-TA (Oct-97)	GFZ-62444E-1	\$50
Operator's Manual Super CAP T/II T for 16/18-TB & 16/18-TC (French) (Oct-97)	GFZ-62444FR-1	\$50
Operator's Manual Super CAP T/II T for 16/18-TB, 16/18-TC (German) (Oct-97)	GFZ-62444GE-1	\$50
Operator's Manual Super CAP T/II T for 16/18-TB & 16/18-TC (Italian) (Jul-97)	GFZ-62444IT-1	\$50
Operator's Manual Super CAP T/II T for 16/18-TB & 16/18-TC (Spanish) (Oct-97)	GFZ-62444SP-1	\$50
Operator's Mnl 16/18-TA/18-TB (CAP I, Lathe) (French) (Nov-94)	GFZ-62664F-1	\$50
Operator's Manual 16/18-TA/18-TB (Super CAP T, Lathe) (French) (Nov-94)	GFZ-62664F-2	\$50
Operator's Manual 16/18-TA/18-TB (CAP I, Lathe) (German) (Nov-94)	GFZ-62664G-1	\$50
Operator's Manual 16/18-TA/18-TB (Super CAP T, Lathe) (German) (Nov-94)	GFZ-62664G-2	\$50
Operator's Manual 16/18-TA/18-TB (CAP I, Lathe) (Italian) (Nov-94)	GFZ-62664I-1	\$50
Operator's Manual 16/18-TA/18-TB SuperCAP T (Lathe, Italian) (Nov-94)	GFZ-62664I-2	\$50
16/18-TA/18-TB Operator's Manual (CAP I, Lathe) (Spanish) (Nov-94)	GFZ-62664S-1	\$50
16/18-TA/18-TB Operator's Man SuperCAP T (Lathe, Spanish) (Nov-94)	GFZ-62664S-2	\$50
16/18-MA Operator's Manual (CAP I, Mach Ctr) (French) (Nov-94)	GFZ-62674F-1	\$50
16/18-MA Operator's Manual (CAP I, Mach Center) (German) (Nov-94)	GFZ-62674G-1	\$50
16/18-MA Operator's Manual (CAP I, Mach Center) (Italian) (Nov-94)	GFZ-62674I-1	\$50
16/18-MA Operator's Manual (CAP I, Mach Center) (Spanish) (Nov-94)	GFZ-62674S-1	\$50
Symbolic CAP T Basic Module V1 Operator's Man (Jan-99)	GFZ-62824EN	\$50
Symbolic CAP T C/Y Module V1 Operator's Manual (May-97)	GFZ-62824EN-1	\$50
Symbol CAPi T Operator's Manual (Sep-03)	GFZ-63304EN	Call



# Productivity Solutions

i CELLOEE	3
i CELLOEE Base Packages	4
Web View & Viewer Systems	4
Communications	5
Ethernet Upgrade Bundles for Series 16i, 18i and 21i CNC Systems	5
Ethernet Boards for 21i/18i/16i Controls	5
Data Server Upgrade Bundles for Series 16i, 18i and 21i CNC Systems	6
Data Server Boards for 21i/18i/16i Controls	6
Single Channel HSSB Bundles	7
Dual Channel HSSB Bundles	7
HSSB Cables	7
HSSB Components 15B/16B/16C/18B/18C with 200V CNC Power Supply	8
HSSB Components 16C/18C/21B with 24V CNC Power Supply	8
Checking for HSSB Slot in CNC	8
i Adapt Adaptive Control	9
i Adapt Retrofit Kits	10
Spindle Power Pickup Unit	11
i Adapt PMC Retrofit Kits	12
i Adapt Hardware Only Kits	12
Machine Optimization Solutions	13
The Technologies	13
Machine Optimization Packages	14
Options and Upgrades	15
Data Sheets	16
EZ-Opt	20
Field Service Assistance	20
Manual Guide Upgrade Bundles for Series i Model A	21
Manual Guide (M/T) Upgrade with Background Drawing	21
Manual Guide (M/T) Upgrade without Background Drawing	21
Probe Measuring Cycles (M) – Requires Manual Guide Option	21
Laser Calibration	23
Calibration Bundles	23
Calibration Services	24
CNC Backup Kit	25



# FANUC CNC Parts



## i CELL<sub>OEE</sub>

Pinpointing production bottlenecks and improving overall equipment effectiveness of existing machine tools is one of the most cost effective ways to boost your company's bottom line, and to fight back at global competition. i Cell<sub>OEE</sub> collects real-time availability, performance and quality data from your machine tools and production systems and helps you understand the dynamics of your shop floor and identify root causes of losses in downtime, setup, speed, minor stoppages, and part yield during setup and production.

Part of the GE Fanuc suite of productivity tools, i Cell<sub>OEE</sub> records events as they occur on each machine on the shop floor. It then generates a variety of easy-to-understand reports that you can use to hone in on variances in your shop operations and analyze the cause of lost productivity.

Easy Integration, With i Cell<sub>OEE</sub> you don't have to go through extensive programming to generate key production data. Simply install i Cell<sub>OEE</sub>, configure it to your shop floor, and you'll be generating your first report by the end of the next shift.

Easy Reliable Data Collection, i Cell<sub>OEE</sub> is all about getting the critical information about equipment utilization and efficiency in your shop operations that has not been easy and reliably available until now. i Cell<sub>OEE</sub> replaces all of those unreliable and time consuming "clipboard exercises" that result in questionable data and unhappy operators. i Cell<sub>OEE</sub> not only collects the data but turns it into useful information to help you improve shop operations.

Powerful, Expandable Out-of-the-Box Solution, i Cell<sub>OEE</sub> is a powerful web-enabled application built on GE Fanuc's CIMPLICITY Plant Edition development tools that provides

- > Automated OEE data collection with configurable, AMT compatible reason codes.
- > Flexible real-time and historic data views with a shop floor summary and drill down capability to individual machines for any time period.
- > High-speed communication interfaces for GE Fanuc, FANUC and third-party CNC controls.
- > High-speed Ethernet and HSSB part program management and DNC.
- > Suite of remote diagnostics and maintenance tools.
- > Standard and customizable reports you can use with the power and flexibility of Crystal Reports
- > Scalable application you will never out grow, expandable with enterprise-wide applications from GE Fanuc.
- > Integrate with GE Fanuc's line of Quick Panels to collect operator or other non-machine data.

## *i CELL<sub>0EE</sub> Base Packages*

<b>Description</b>	<b>Part No.</b>	<b>Price</b>
i CellOEE Base Package with 5 Connections	44A729331-033	\$8,995
i CellOEE 5 additional CNC connections	IC850ICL005	\$2,420
i CellOEE annual maintenance	44A729331-037	15% of System Price

## *Web View & Viewer Systems*

CIMplicity Viewer Runtime System (single user license)	IC646TRT999	\$1,260
CIMplicity Web View Single User license)	IC646NWW000	\$1,575
CIMplicity Web View 5-User License	IC646NWW005	\$7,350
CIMplicity Web View 10-User License	IC646NWW010	\$13,650
CIMplicity Web View 25-User License	IC646NWW025	\$31,500
CIMplicity Web View 50-User License	IC646NWW050	\$52,500

## Communications

### *Ethernet Upgrade Bundles for Series 16i, 18i and 21i CNC Systems*

Packages include:

- > Professional Installation (approximately 4 hours)
- > CNC Configuration File Backup
- > 10/100 Mbit Ethernet Card
- > FROM Memory Upgrades (as required)
- > System Software Upgrade
- > Drivers and Libraries Option (J800)
- > Ethernet Software (S707)
- > Data Server Software (S737)
- > CNC Ethernet Configuration

<b>Package</b>	<b>Part No.</b>	<b>Price</b>
100-MBit Ethernet - Integrated-LCD Model A	44A729331-019	\$2,400
100-MBit Ethernet - Integrated-LCD Model B	44A729331-031	\$2,200
100-Mbit Ethernet – Standalone Model A	44A729331-054	\$2,300
100-Mbit Ethernet – Standalone Model B	44A729331-055	\$2,100
0 to 2-Slot Upgrade- Integrated-LCD**	44A729331-021	\$650

Additional requirements and exceptions:

- > Travel and living expenses for installation are extra and charged at cost plus 10%
- > In some cases, additional hardware may be needed at extra cost

### *Ethernet Boards for 21i/18i/16i Controls*

These boards require a system software upgrade for Series i Model A controls. Professional installation is highly recommended. See Ethernet bundles for complete solution.

<b>Description</b>	<b>Part No.</b>	<b>Price</b>
100 Mbit Ethernet Board – Integrated LCD Controls	A20B-8100-0770	\$ 1,471
100 Mbit Ethernet Board – Standalone Controls	A20B-8100-0670	\$ 1,056

## Data Server Upgrade Bundles for Series 16i, 18i and 21i CNC Systems

Packages include:

- > Professional Installation
- > CNC Configuration File Backup
- > 10/100 Mbit Data Server Card
- > 512MB High-Speed ATA Flash Card
- > FROM Memory Upgrades (as required)
- > System Software Upgrade
- > Drivers and Libraries Option (J800)
- > Ethernet Software (S707)
- > Data Server Software (S737)
- > CNC Ethernet Configuration

<b>Package</b>	<b>Part No.</b>	<b>Price</b>
100-Mbit Data Server-Integrated-LCD Model A* (4 hours)	44A729331-020	\$2,999
100-Mbit Data Server-Integrated-LCD Model B* (4 hours)	44A729331-065	\$2,999
100-Mbit Data Server- Standalone Model A* (4 hours)	44A729331-066	\$2,999
100-Mbit Data Server- Standalone Model B* (4 hours)	44A729331-067	\$2,999
100-Mbit Data Server with RISC Processor- Standalone Model B* (3 days)	44A729331-057	\$11,499
0 to 2-Slot Upgrade- Integrated-LCD**	44A729331-021	\$650

Additional requirements and exceptions:

Travel and living expenses for installation are extra and charged at cost plus 10%

In some cases, additional hardware may be needed at extra cost

### Data Server Boards for 21i/18i/16i Controls

These boards require a system software upgrade. Professional installation is highly recommended. See Data Server bundles for complete solution. ATA flash cards have been tested by FANUC and approved for high-speed data server applications.

<b>Description</b>	<b>Part No.</b>	<b>Price</b>
100 Mbit Data Server Board – Integrated LCD	A02B-0236-J140	\$ 1,116
100 Mbit Data Server Board – Standalone	A02B-0281-J149	\$ 1,229
100 Mbit Data Server Board with RISC – Standalone	A02B-0281-J161	\$ 5,328
256MB ATA Flash Card	44A725977-G13	\$260
512MB ATA Flash Card	44A725977-G14	\$518
Data Server Function	A02B-0281-S737	\$411

## Single Channel HSSB Bundles

Single channel bundles connect 1 CNC to a single channel PCI HSSB board in the PC. Note that the HSSB slot must be available in the CNC and a spare PCI slot must be available in the PC. Order HSSB cables separately.

Packages include:

- > Professional Installation
- > CNC Configuration File Backup
- > High Speed Serial Bus Card for the CNC
- > Single Channel PCI HSSB card for the PC
- > System Software Upgrade (as required)
- > Drivers and Libraries Option for CNC and Site (J800)

<b>Package</b>	<b>Part No.</b>	<b>Price</b>
Single HSSB 15/16/18 B/C CNC 200V PSU	44A729331-058	\$2,200
Single HSSB 16C/18C/21B 24V PSU	44A729331-059	\$2,500

## Dual Channel HSSB Bundles

Dual channel bundles connect 2 CNCs to a dual channel PCI HSSB board in the PC. Note that HSSB slots must be available in the CNCs and a spare PCI slot must be available in the PC. Order 2 HSSB cables separately.

Packages include:

- > Professional Installation
- > CNC Configuration File Backup
- > 2 High Speed Serial Bus Cards for 2 CNCs
- > Dual Channel PCI HSSB card for the PC
- > System Software Upgrade (as required)
- > Drivers and Libraries Options for 2 CNCs and Site (J800)

<b>Package</b>	<b>Part No.</b>	<b>Price</b>
Dual HSSB 15/16/18 B/C 200V PSU	44A729331-060	\$3,800
Dual HSSB 16C/18C/21B 24V PSU	44A729331-061	\$4,400

## HSSB Cables

These fiber optic cables connect the HSSB board in the CNC to the HSSB board in the PC. These cables cannot be alter, so order the nearest length for the application.

<b>Description</b>	<b>Part No.</b>	<b>Price</b>
5m Fiber Optic Cable	A66L-6001-0026#L5R003	\$56
20m Fiber Optic Cable	A66L-6001-0026#L20R03	\$125
50m Fiber Optic Cable	A66L-6001-0026#L50R03	\$264

## HSSB Components 15B/16B/16C/18B/18C with 200V CNC Power Supply

HSSB can be retrofitted to Series 15B, 16C, and 18C controls with a 200V power supply. Most Series 16B and 18B controls can also be upgraded, provided they have the empty 1/3 length slot in the power supply module. Some early versions of the 16B and 18B did not have the slot available, and a power supply upgrade would be necessary to add HSSB.

<b>Description</b>	<b>Part No.</b>	<b>Price</b>
CNC HSSB Board	A20B-8001-0291	\$740
PCI Single Channel HSSB BOARD	A20B-8001-0961	\$649
PCI Dual Channel HSSB BOARD	A20B-8001-0960	\$915
Drivers and Libraries (per CNC)	A02B-0207-J800	\$308
Drivers and Libraries Disk (per site)	A02B-0207-K737	\$35

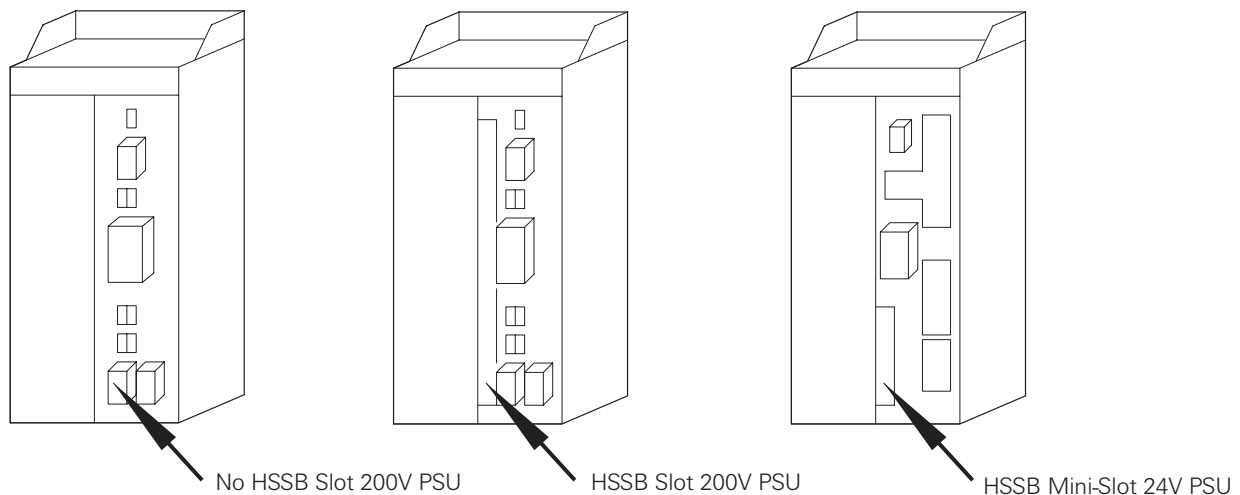
## HSSB Components 16C/18C/21B with 24V CNC Power Supply

HSSB can be retrofitted to Series 16C, and 18C controls with a 24V power supply. Some 21B controls can also be upgraded.

<b>Description</b>	<b>Part No.</b>	<b>Price</b>
CNC HSSB Board	A20B-2002-0211	\$ 1,091
PCI Single Channel HSSB BOARD	A20B-8001-0961	\$649
PCI Dual Channel HSSB BOARD	A20B-8001-0960	\$915
Drivers and Libraries (per CNC)	A02B-0207-J800	\$308
Drivers and Libraries Disk (per site)	A02B-0207-K737	\$35

## Checking for HSSB Slot in CNC

Most Series 15/16/18 model A and B controls have a slot to add the HSSB board. Some early versions of the 16B and 18B, and many of the 21B controls do not have a HSSB slot. Check your CNC to see if the slot is available before ordering.



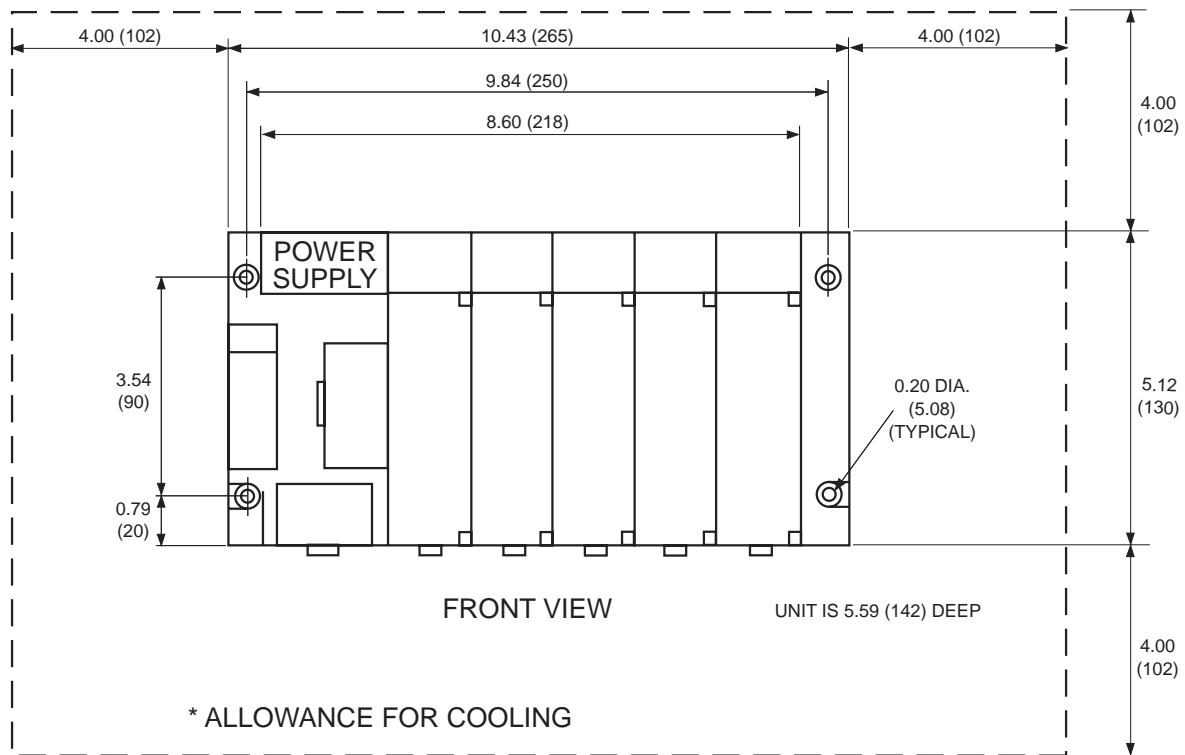
## i Adapt Adaptive Control

i Adapt can increase the throughput of a machine tool by 20-40% by maximizing the material removal rate in roughing cycles. i Adapt automatically adjusts the feedrate of the machine in responses to changes in spindle power due to variations in the cutting conditions.

i Adapt also extends tool life by optimizing cutting conditions, reducing minor stoppages for tool maintenance.

i Adapt automatically compensates for variations in cutting conditions including:

- > Depth of cut
- > Width of cut
- > Material hardness
- > Tool wear





## *i Adapt Retrofit Kits*

The i Adapt retrofit kit uses the second serial port on the CNC to communicate with the i Adapt module.

Includes:

- > i Adapt Module
- > Cable set
- > Professional Installation and Training
- > CNC Configuration File Backup
- > Tuning of the i Adapt loop and servo axes loops for stable operation
- > CNC options as required
- > 12 Month CNC Extended Warranty (subject to inspection)
- > Travel and Living Expenses (with 14 day advance notice)

<b>Description</b>	<b>Part No.</b>	<b>Price</b>
i Adapt Retrofit Kit for Milling	44A729331-051	\$7,500
i Adapt Retrofit Kit for Turning	44A729331-052	\$7,500
Premium Installation (Holidays, Weekends, Night Shift)	44A729337-017	\$2,000

Note: Machines that do not have an analog spindle power output must also purchase the Spindle Power Pickup Unit.

GE Fanuc/FANUC CNCs Supported

- > 11A, 12A
- > 15i-A, 15i-B, 15-B, 15-A
- > S16i-B, S16i-A, S16-C, S16-B, S16-A
- > S18i-B, S18i-A, S18-C, S18-B, S18-A
- > S21i-B, S21i-A, S21-B
- > S0i-B, S0i-A, S0-C

Okuma Controls Supported

- > OSP 7000, 5020, 5000 or U10

Okuma controls must have the following options prior to the installation of i Adapt:

- > User Task II
- > Spare serial port

Okuma controls require the Spindle Power Pickup Unit.

## *Spindle Power Pickup Unit*

Spindle drives that are not equipped with a spindle power analog output require this spindle power pickup unit.

Required for:

- > Okuma machines
- > GE Fanuc/FANUC series iS spindle drives

<b><u>Description</u></b>	<b><u>Part No.</u></b>	<b><u>Price</u></b>
Spindle Power Pickup Unit	IC850ADP099	\$1,000

## *i Adapt PMC Retrofit Kits*

The PMC retrofit kit requires modifications to the machine tool PMC ladder. This requires 3-4 days of installation and testing time. Some machine tool builder's password protect the PMC. Customer must obtain the password for their PMC from the machine tool builder before scheduling installation. Customer must check with their machine tool builder if the machine is still under warranty to determine if any PMC changes would effect the warranty terms.

Include:

- > i Adapt Module
- > Cable set
- > Professional Installation and Training
- > PMC ladder modifications
- > CNC Configuration File Backup
- > Tuning of the i Adapt loop and servo axes loops for stable operation
- > CNC options as required
- > 12 Month CNC Extended Warranty (subject to inspection)
- > Travel and Living Expenses (with 14 day advance notice)

<b>Description</b>	<b>Part No.</b>	<b>Price</b>
i Adapt PMC Retrofit Kit for Milling	44A729331-064	\$9,900
i Adapt PMC Retrofit Kit for Turning	44A729331-072	\$9,900
Premium Installation (Holidays, Weekends, Night Shift)	44A729337-017	\$2,000

Note: Machines that do not have an analog spindle power output must also purchase the Spindle Power Pickup Unit.

## *i Adapt Hardware Only Kits*

Include:

- > i Adapt Module
- > Cable set

<b>Description</b>	<b>Part No.</b>	<b>Price</b>
i Adapt Module for Milling	IC850ADP101	\$4,500
i Adapt Module for Turning	IC850ADP201	\$4,500
Spindle Power Pickup Unit	IC850ADP099	\$1,000

Note: Machines that do not have an analog spindle power output must also purchase the Spindle Power Pickup Unit.

## Machine Optimization Solutions

High-speed, high-accuracy machining technologies can increase the productivity of practically any machine tool, from machining centers and lathes, to wood routers and lasers. GE Fanuc's factory trained experts can analyze your machine's current performance and recommend a package of options and services that may significantly increase your productivity.

GE Fanuc pioneered high-speed, high-accuracy machining over the last decade working with machine tool builders and the aerospace industry in high-speed processing of aluminum parts. In recent years, the technologies have been applied to a wide range of machine tools, increasing productivity by optimizing performance. Benefits include:

- > Reduced Cycle Time by optimizing acceleration and deceleration profiles to maximize feedrate at a specific accuracy
- > Improved Accuracy by optimizing acceleration and deceleration profiles to minimize position error at a specific feedrate
- > Improved Surface Finish by applying servo power smoothly and minimizing shock to the machine structure

### *The Technologies*

High-speed, high-accuracy machining optimizes feedrate, acc/dec ramp and feed forward parameters to apply power smoothly within the machine's mechanical capabilities. High-speed, high-accuracy machining incorporates the following technologies:

- > Advanced Acc/Dec Algorithms to apply the servo power smoothly
- > Block Look Ahead to improve path planning to minimize errors
- > AI Contour Control to automatically set acc/dec ramps, feedrates and feed for-ward parameters by using look-ahead in the part program and by considering the machine's performance capabilities
- > High Precision Contour Control uses a RISC processor to provide an advanced automatic control of acc/dec ramps, feedrates and feed forward parameters, by looking further ahead in the part program and applying more advanced algorithms than AICC
- > NURBS allows complex surfaces to be specified exactly and to be interpolated and machined accurately

## Machine Optimization Packages

All packaged bundles include:

- > Professional Installation (Number of days as shown above)
- > Expert Servo Tuning with Advance Tools
- > Software Options
- > RISC Board Hardware Installation (HPCC and HPCC with NURBS)
- > CNC Configuration File Backup
- > System Software Upgrade

<b>Description</b>	<b>Part No.</b>	<b>Price</b>
Basic - Bell Shaped Acc/Dec (2 days)	44A729331-011	\$3,099
Advanced - Look-ahead Preview Control AICC (2 days)	44A729331-012	\$4,799
AICC - AI Contouring Control (2 days)	44A729331-013	\$5,995
Nano - Nano AI Contour Control (3 days)	44A729331-014	\$7,995
HPCC - High-Precision Contour Control (3 days)	44A729331-015	\$11,180
100-Mbit Data Server with RISC Processor- Stand Alone iB Series Controls* (3 days)	44A729331-057	\$11,499
HPCC with NURBS - High-Precision Contour Control w/NURBS (4 days)	44A729331-016	\$14,390
0 to 2-Slot Upgrade Kit - For Integrated-LCD with HPCC Packages*	44A729331-021	\$650

\*Price valid when ordered with any of the above packages only

Additional requirements and exceptions:

- > Travel and living expenses for installation are extra and charged at cost plus 10%
- > In some cases, additional hardware may be needed at extra cost

## Options and Upgrades

Are you getting the most from your current system? Call us to see how we can help maximize the productivity of your machine and CNC system!

After a machine has been in production for a while, users often find new requirements for it. These new requirements may simply be a desire to improve productivity or perhaps even to make different types of parts than originally intended. Fortunately, GE Fanuc planned for your future by providing a CNC that is easy to upgrade. We have pre-engineered CNC options that were not originally provided by your machine tool builder, as well as new features that may have been developed since your CNC was manufactured:

- > Memory and communications features for improved storing, editing, and handling of part programs
- > New interpolation functions, special cycles, macros, and graphics for enhanced programming productivity
- > Tool and machine compensations, and other features to improve machining speeds and accuracy

Please have the following information available when you contact us to help us identify the configuration of your control and respond more quickly to your request:

- > Control Data Sheets (if available) or Control type and Control Serial Number
- > Name of machine tool builder or machine rebuilder

## Data Sheets

The factory "DATA SHEETS" printed when the control was manufactured. These are several sheets containing a list of parts, options, factory parameter settings, software versions, serial number, date manufactured, etc. This document is very important and should always be kept with the control for future maintenance support. T

CNC Type      Serial Number

FANUC Series T&I-T Model A      DATA SHEET      1/4

得意先名: GE FANUC AUTOMATION	DATE OF MANUFACTURE: 2001-04
CUSTOMER:	DATE OF TEST : 2001-05-08
CONTRACT NO.: Y 17671- 001	CHECKED BY : S. Ishikawa
MODEL NO.: A02B-0238-B611	APPROVED BY : WIYASAKA
SERIAL NO.: E014A1559	
SETTING OF INPUT:	

***** SPECIAL SETTING PARAMETER *****			
N9900	3	N9901	0
N9920	0 1 1 1 1 0 1 0	N9947	0 0 0 0 0 0 0 0
N9921	0 1 0 0 0 0 0 0	N9948	0 0 0 0 0 0 0 0
N9922	0 0 0 0 0 1 0 0	N9949	0 0 0 0 0 0 0 0
N9923	1 0 0 0 0 0 0 0	N9950	0 0 0 0 0 0 0 0
N9924	0 0 0 0 0 0 1 0	N9951	0 0 0 0 0 0 0 0
N9925	0 0 0 0 0 0 0 0	N9952	0 0 0 0 0 0 0 0
N9926	0 0 1 0 0 0 0 0	N9953	0 0 0 0 0 0 0 0
N9927	0 1 0 1 0 0 0 0	N9954	0 0 0 0 0 0 0 0
N9928	0 0 0 0 0 0 0 1	N9955	0 0 0 0 0 0 0 0
N9929	0 0 0 0 0 0 0 1	N9956	0 0 0 0 0 0 0 0
N9930	0 0 1 0 0 1 0 0	N9957	0 0 0 0 0 0 0 0
N9931	1 0 0 0 0 0 0 0	N9958	0 0 0 0 0 0 0 0
N9932	0 0 0 0 0 1 0 0	N9959	0 0 0 0 0 0 0 0
N9933	1 0 0 0 0 0 0 0	N9960	0 0 0 0 0 0 0 0
N9934	0 0 0 0 0 0 0 0	N9961	0 0 0 0 0 0 0 0
N9935	0 0 0 0 0 0 0 0	N9962	0 0 0 0 1 0 0 0
N9936	1 0 0 0 0 1 0 0	N9963	0 0 0 1 0 0 0 0
N9937	0 0 0 0 0 0 0 0	N9964	0 0 0 0 0 0 0 0
N9938	0 0 0 0 0 0 0 0	N9965	0 0 0 1 0 0 0 0
N9939	0 0 0 0 0 0 0 0	N9966	0 0 0 0 0 0 0 0
N9940	0 0 0 0 0 0 0 0	N9967	0 0 0 0 0 0 0 1
N9941	0 0 0 0 0 0 0 0	N9968	0 0 0 0 0 0 0 0
N9942	0 0 0 0 0 0 0 0	N9969	0 0 0 0 0 0 0 0
N9943	0 1 0 0 1 0 0 0	N9970	0 0 0 0 0 0 0 0
N9944	0 0 0 0 0 0 0 0	N9971	0 0 0 0 0 0 0 0
N9945	0 0 0 0 0 0 0 0	N9972	0 0 0 0 0 0 0 0
N9946	0 0 1 0 0 0 0 0	N9973	0 0 0 0 0 0 0 0
N9902	0	N9974	0 0 0 0 0 0 0 0
N9975	0 0 0 0 0 0 0 0	N9975	0 0 0 0 0 0 0 0
N9976	0 0 0 0 0 0 0 0	N9976	0 0 0 0 0 0 0 0
N9977	0 0 0 0 0 0 0 0	N9977	0 0 0 0 0 0 0 0
N9978	0 0 0 0 0 0 0 0	N9978	0 0 0 0 0 0 0 0
N9979	0 0 0 0 0 0 0 0	N9979	0 0 0 0 0 0 0 0
N9980	0 0 0 0 0 0 0 0	N9980	0 0 0 0 0 0 0 0
N9981	0 0 0 0 0 0 0 0	N9981	0 0 0 0 0 0 0 0
N9982	0 0 0 0 0 0 0 0	N9982	0 0 0 0 0 0 0 0
N9983	0 0 0 0 0 0 0 0	N9983	0 0 0 0 0 0 0 0
N9984	0 0 0 0 0 0 0 0	N9984	0 0 0 0 0 0 0 0
N9985	0 0 0 0 0 0 0 0	N9985	0 0 0 0 0 0 0 0
N9986	0 0 0 0 0 0 0 0	N9986	0 0 0 0 0 0 0 0
N9987	0 0 0 0 0 0 0 0	N9987	0 0 0 0 0 0 0 0
N9988	0 0 0 0 0 0 0 0	N9988	0 0 0 0 0 0 0 0
N9989	0 0 0 0 0 0 0 0	N9989	0 0 0 0 0 0 0 0
N9990	0 0 0 0 0 0 0 0	N9990	0 0 0 0 0 0 0 0
N9991	0 0 0 0 0 0 0 0	N9991	0 0 0 0 0 0 0 0
N9992	0 0 0 0 0 0 0 0	N9992	0 0 0 0 0 0 0 0
N9993	0 0 0 0 0 0 0 0	N9993	0 0 0 0 0 0 0 0
N9994	0 0 0 0 0 0 0 0	N9994	0 0 0 0 0 0 0 0
N9995	0 0 0 0 0 0 0 0	N9995	0 0 0 0 0 0 0 0
N9996	0 0 0 0 0 0 0 0	N9996	0 0 0 0 0 0 0 0
N9997	0 0 0 0 0 0 0 0	N9997	0 0 0 0 0 0 0 0
N9998	0 0 0 0 0 0 0 0	N9998	0 0 0 0 0 0 0 0

EDITION OF PRINTED BOARD & ROM

NAME	EDIT	NAME	EDIT	NAME	EDIT
A20B-0100-0135	22H	A02B-0238-H501#BEF2	18		
		A02B-0236-H500#60M3	16		
		A02B-0236-H580#405A	19		
		A02B-0236-J542#60V2	08		
		A02B-0236-H580#99A6	01		

LIST OF CARD, DIMM & BACK BOARD

A208-3300-0120	1		
A208-3300-0150	1		
A208-3900-0061	1		
A208-3900-0073	1		
A208-3900-0131	1		
A208-8001-0920	1		
A208-3300-0260	1		

SERVO DATA SHEET

I T E M	1st	2nd	3rd	4th	5th	6th	7th	8th
MOTOR ID No.	:	:	:	:	:	:	:	:
A M R	:	:	:	:	:	:	:	:
C M R	:	:	:	:	:	:	:	:
DIRECTION SET	:	:	:	:	:	:	:	:
VELOCITY PULSE No.	:	:	:	:	:	:	:	:
POSITION PULSE No.	:	:	:	:	:	:	:	:
	:	:	:	:	:	:	:	:
	:	:	:	:	:	:	:	:

I T E M	9th	10th	11th	12th	13th	14th	15th	16th
MOTOR ID No.	:	:	:	:	:	:	:	:
A M R	:	:	:	:	:	:	:	:
C M R	:	:	:	:	:	:	:	:
DIRECTION SET	:	:	:	:	:	:	:	:
VELOCITY PULSE No.	:	:	:	:	:	:	:	:
POSITION PULSE No.	:	:	:	:	:	:	:	:
	:	:	:	:	:	:	:	:
	:	:	:	:	:	:	:	:



NAME	NAME	SPECIFICATION	ORDR
BASIC CONTROL UNIT	ベ-シツク ユニット	A02B-0238-B611	1
AXIS CARD 4AXIES	シ-クセイ ユ-ト 4シ-ク	A02B-0238-H016	1
DISPLAY CARD A	ディ-スプレ-ト A	A02B-0238-H021	1
BACKUP MEMORY C	バックアップ メモリ C	A02B-0238-H043	1
PROGRAM MEMORY B	プログラムメモリ B	A02B-0238-H053	1
MAIN MEMORY 8M	メインメモリ B 8M	A02B-0238-H073	1
MAIN CPU CARD	メイン CPU カ-ド	A02B-0238-H002	1
NAME PLATE ( GE FANUC )	メイ-ン (GE FANUC)	A02B-0238-H191	1
PMC FUNCTION	PMC キ-ウ	A02B-0238-H580#406A	1
DIGITAL SERVO FUNCTION	ディ-ジ-タル サーボ キ-ウ	A02B-0238-H590#90A6	1
PMC FUNCTION	PMC キ-ウ	A02B-0238-J583#406A	1
BASIC FUNCTION	ベ-シツク キ-ウ	A02B-0238-H501#BEF2	1
LADDER STEP 12000	5タ-ステップ 12000	A02B-0238-H982	1
MAXIMUM JOG FEEDRATE EXPANSI OF PMC AXIS CTRL		A02B-0238-J722	1
MACRO EXECUTER + C LANGUAGE EXECUTER	マクロ実行-ビ-キ-ウ + C ランゲ-ジ-ク エキ-ウ	A02B-0238-J734	1
MOTOR REVOLUTION DETECT SIGNAL OUTPUT	モ-タ- トイ-ン タンク シ-グナル アウツ	A02B-0238-J735	1
CUSTOM SOFT SIZE FOR MAIN CP 2M BYTE	カスタムソフト ユ-リ-ム 2M (メインCPU)	A02B-0238-J738#2M	1
CONTROL AXES EXPANSION	セイ-ク ユ-ク カクテイ	A02B-0238-J801	1
CONTROL AXES NUMBER	セイ-ク ユ-ク タクソウ	A02B-0238-J802#3	1
AXIS CONTROL BY PMC	PMC ニヨ- シ-クセイ ユ-	A02B-0238-J804	1
INCREMENTAL SYSTEM 1/10	インクリメンタル 1/10	A02B-0238-J805	1
1ST HANDWHEEL FEED	1タ- タイ-ム セイ-ク	A02B-0238-J835	1
HANDWHEEL INTERRUPTION	ハンド-ル クリ-ク	A02B-0238-J837	1
CONSTANT SURFACE SPEED CONTR	シ-ョウマツ イツテイ セイ-ク	A02B-0238-J855	1
ANALOG SPINDLE CONTROL	シ-ョウマツ シ-ョウマツ	A02B-0238-J860	1
G CODE SYSTEM B/C	G コ-ド シ-ョウマツ B/C	A02B-0238-J871	1
PROGRAMABLE DATA INPUT	プログラム デ-タ ニユウ	A02B-0238-J872	1
CUSTOM MACRO B	カスタム マクロ B	A02B-0238-J873	1
INCH / METRIC SELECTION	インチ / メトリック 切り立	A02B-0238-J876	1
COORDINAE SYSTEM ROTATION	コ-ディネ-ト シ-ョウマツ	A02B-0238-J893	1
WORK COORDINATE SYSTEM	ワーク-コ-ディネ-ト (G52-G59)	A02B-0238-J894	1
READER/PANCHER INTERFACE 1	リーダ-パ-ンチ-ン-タ- インタ-フェイス	A02B-0238-J900	1
EXTERNAL DATA INPUT	エクステ-ルナル デ-タ ニユウ	A02B-0238-J913	1
TOOL NOSE RADIUS COMPENSATIO	タ-ル ノーズ レ-ジ-ス	A02B-0238-J930	1
TOOL GEOMETRY/WEAR OFFSET	タ-ル ジ-オメトリ/ウ-ア-オフ	A02B-0238-J931	1
PART PROGRAM STORAGE 1280#	パート プログラム スタ-ジ-ン	A02B-0238-J946	1
BACKGROUND EDIT	バックグラウンド エディ-	A02B-0238-J956	1
EXTENDED PART PROGRAM EDITING	エクステ-ルナル パ-ト プログラム エディ-	A02B-0238-J957	1
FRENCH/GERMAN DISPLAY	フランス/ドイツ ディスプレ-	A02B-0238-J966	1
RUN HOUR AND PARTS COUNT	ラン-ア-ウ-ア-と パ-ツ カウ-	A02B-0238-J971	1
GRAPHIC FUNCTION	グラフィック ヒョウシ-	A02B-0238-J972	1
		A02B-0238-J501#BEF2	1
I/O BASE UNIT ( -ABU10A )	アイ-オ- ベ-ス ユ-ニ-ト (ABU10A)	A03B-0807-J001	1

Data Sheets (cont).

Y 17671 4/4

NAME	NAME	SPECIFICATION	ORDR
I/F MODULE ( AIF01A )	I/Fモジュール(AIF01A)	A03B-0807-J011	1
INPUT MODULE ( AID16D )	入力モジュール	A03B-0807-J104	3
INPUT MODULE ( AID16L )	入力モジュール	A03B-0807-J114	1
OUTPUT MODULE ( AOR08G )	出力モジュール	A03B-0807-J160	2
OUTPUT MODULE ( AOR16G )	出力モジュール	A03B-0807-J161	1
MDI UNIT	MDIユニット	A02B-0236-C125#TBS	1
SDU1 I/O MODULE FOR OP. PANEL	ベッヂファンクションユニット ツウサマン I/Oポート	A02B-0236-C203 A20B-2002-0470	1 1
POWER SUPPLY MODULE	パワーサプライモジュール	A06B-6077-H106	1
SERVO AMPLIFIER MODULE	サーボアンプモジュール	A06B-6096-H105	1
SERVO AMPLIFIER MODULE	サーボアンプモジュール	A06B-6096-H206	1

## ***EZ-Opt***

Most software upgrades are possible via our exclusive EZopt self-help process. EZopt provides the ability to activate options resident in specific CNC systems that support use of the EZopt utility. Ezopt is supplied in a disk and includes CNCCOMM, a program for communication between the CNC and the PC.

EZopt displays simple step-by-step instructions on the PC to:

- > Setup communications between the PC and the CNC by RS232C serial port.
- > Punch out all parameters from CNC to the PC. (EDIT mode and NOT in E-STOP)
- > Read new parameters back into the CNC from the PC. (MDI mode and in E-STOP)
- > Cycle power on the CNC to initialize the new options.

Error checking insures that no data is lost during the installation process. Help is available for each step, and a log file tracks installation progress.

## ***Field Service Assistance***

Our Field Service engineers are especially qualified to install upgrades when EZopt is not convenient or possible. Please contact our toll-free number to schedule an option installation and we will guide you to the best installation alternative. We can be reached by dialing 1-800-GE FANUC (800-433-2682). Listen carefully to the menu and choose CNC Options/upgrades. One of our Option Specialists will assist you in obtaining the desired options.

## Manual Guide Upgrade Bundles for Series i Model A

Manual Guide is a shop floor programming package to assist experienced machine operators quickly develop part programs for Turning and Milling CNC machines. Manual Guide uses intuitive English language and graphic commands to help the user through the part geometric shapes that need to be machined. Please refer to the Manual Guide product manuals for details (Catalog Numbers for the manuals in the Appendix). Manual Guide is available for i-Series controls and can be installed as an upgrade package provided the existing system meets the basic hardware requirements. The following packages are available and include installation.

### *Manual Guide (M/T) Upgrade with Background Drawing*

<b>Description</b>	<b>Part No.</b>	<b>Price</b>
9.5" Mono	44A729331-041	\$3,950
10.4" Color	44A729331-043	\$4,250

### *Manual Guide (M/T) Upgrade without Background Drawing*

<b>Description</b>	<b>Part No.</b>	<b>Price</b>
9.5" Mono	44A729331-042	\$3,200
10.4" Color	44A729331-044	\$3,500

### *Probe Measuring Cycles (M) – Requires Manual Guide Option*

<b>Description</b>	<b>Part No.</b>	<b>Price</b>
Probe Measuring Cycles	A02B-xxxx-S663*	\$399

Packaged bundles include:

- > Professional Installation (1 day)
- > CNC Configuration File Backup
- > SRAM, FROM, DRAM Upgrades
- > System Software Upgrade
- > Manual Guide Software Option (turning or milling)
- > Ladder Modification to Add Manual Guide Mode Select Button

The Manual Guide Option includes extra benefits:

- > Canned Cycles
- > Macro Executor
- > Background Editing
- > Programmable Data Input (G10)

Additional requirements and exceptions:

- > A spare pushbutton connected to the PMC must be available, or the customer must be willing to use a multiple pushbutton to select Manual Guide Mode Select. The existing PMC must not use registers 950~R999.
- > Travel and living expenses for installation are extra and charged at cost plus 10%
- > In some cases, additional hardware may be needed at extra cost

## Laser Calibration

Laser calibration can help to extend the life of a machine by compensating for pitch error variations due to worn ball screws. GE Fanuc uses state of the art laser technology, and software compensation algorithms to maximize the accuracy of machine tools, which can lead to significant increases in machine productivity.

GE Fanuc service engineers will install the indicated options in your CNC control, and calibrate the machine axes for pitch errors and/or straightness errors using our Renishaw® laser calibration system. Benefits include:

- > Improved accuracy by reducing pitch variations due to worn ball screws.
- > Reduced maintenance cost and longer machine life by compensating for errors, rather than replacing expensive ball screws.
- > Reduction of scrap parts due to mechanical machine errors.

## Calibration Bundles

All calibration package bundles include:

Professional Installation (Number of days as shown above)

- > Laser Calibration for up to 4 axes
- > Software Options as Indicated
- > CNC Configuration File Backup

<b>Package</b>	<b>Part No.</b>	<b>Price</b>
Basic Compensation - Pitch Error Comp., Laser Calibration (3 days)	44A729331-017	\$4,099
Advanced Compensation - Bi-Directional Pitch Error Comp. Straightness Comp., Laser Calibration (4 days)	44A729331-018	\$9,985

Additional requirements and exceptions:

- > Travel and living expenses for installation are extra and charged at cost plus 10%
- > In some cases, additional hardware may be needed at extra cost
- > For calibration of more than four axes, additional axes greater are charged at \$1000 per axis

## Calibration Services

These services are for calibration or recalibration of an existing system. No software options are included. For machines with more than 4 axis, an additional rate is charged.

All calibration package services include:

- > Laser Calibration for up to 4 axes
- > CNC Configuration File Backup

<b>Package</b>	<b>Part No.</b>	<b>Price</b>
Pitch Error Compensation Recalibration (3 days)	44A729331-062	\$3,600
Bi-Directional Pitch Error Compensation Recalibration (4 days)	44A729331-063	\$4,800

Additional requirements and exceptions:

- > Travel and living expenses for installation are extra and charged at cost plus 10%
- > In some cases, additional hardware may be needed at extra cost
- > For calibration of more than four axes, additional axes greater are charged at \$1000 per axis

## CNC Backup Kit

Eliminate the risk of the most common and expensive CNC service calls, and keep your machine in production by maintaining a backup of your controls. Many of the files in your CNC are customized to a particular machine or machine model making it impossible to rely on outside sources for your machine backup files. With the CNC Backup Kit you can backup all of your essential CNC data using the same tools as used by the GE Fanuc Service Engineers.

The Basic kit includes:

- > Step-by-Step instructions for GE Fanuc and FANUC CNCs
- > Proprietary RS-232 cable for reliable data transfer
- > Symantec Procomm for Windows
- > ATA Flash card for high speed backup of i-series controls
- > Handy Carrying Case

The Deluxe kit contains all of the items in the basic kit plus an additional SRAM card for high speed backup of your older B series controls.

<b>Description</b>	<b>Part No.</b>	<b>Price</b>
CNC Backup Kit	44A729331-025	\$375
Deluxe CNC Backup Kit	44A729331-050	\$595





# FANUC CNC Parts



# Machine Tool Probes

Introduction To Machine Tool Probes .....	5
Applications .....	6
Tool Setting .....	6
Part Set-up .....	6
Part Inspection .....	6
Probe System Selection .....	7
Selection Procedure .....	7
Machining Center Inspection Probes .....	9
Component Setting .....	9
First-off Inspection .....	9
In Process Inspection .....	9
Probe Selection .....	10
Transmission Selection .....	11
Optical Transmission System .....	12
Radio Transmission Systems .....	13
Inductive Transmission Systems .....	14
Hard-Wired Transmission Systems .....	14
OMP40 Inspection Probe .....	15
OMP40 retrofit kit .....	16
OMP40 Hardware Only Kit .....	16
OMP40 Probe .....	16
Interface Components .....	16
MP700 / MP700E Inspection Probe .....	17
MP700 Retrofit Kit .....	18
MP700 Hardware Only Kit .....	18
M700 Probe Module and OMP .....	19
Interface Components .....	19
MP700E Retrofit Kit .....	20
MP700E Hardware Only Kit .....	20
MP700E Probe .....	21
M700 Probe Module and OMP .....	21
Interface Components .....	21

MP10 / MP10E Inspection Probe	.22
MP10 Retrofit Kit	.23
MP10 Hardware Only Kit	.23
MP10 Probe	.24
Interface Components	.24
MP10E Retrofit Kit	.25
MP10E Hardware Only Kit	.25
MP10E Probe	.26
Interface Components	.26
RMP60 Radio Transmission Inspection Probe	.27
RMP60 Retrofit Kit	.28
RMP60 Hardware Only Kit	.28
RMP60 Probe	.29
Interface Components	.29
Tool Kit	.29
OMI / OMM / OMME Optical Modules	.30
Probe Interfaces	.31
MI5 interface	.31
MI8 interface	.31
Solid-State Relay Converter	.31
MI12 interface	.31
MI12E high power interface	.32
MI16 interface	.32
Non-contact interfaces	.32
OMI Interface	.32
Lathe Tool Setting Arm Interfaces	.33
PSU3 Power Supply	.33
Probe Shanks and Toolholders	.34
Shanks for OMP40	.34
OMP40 Shank Kits	.34
BT 40 shank kit	.34
Shanks for MP10, MP12, MP700, MP16-R (spin-on), and MP16-F (flash-on)	
Systems	.35
Shanks for MP16-S (switch-on) System	.35
NC1 Tool Setting Probe	.36
NC1 Fixed System Retrofit Kits	.37
NC1 Separate System Retrofit Kits	.37
NC1 Fixed Hardware Only Kits	.38
NC1 Separate Hardware Only Kits	.38
NC1 Accessories	.38
NC1 12.5 m Cable Assemblies	.38
Steel Sheath Conduit	.38
NC1 Mounting Hardware Options	.39

NC3 Tool Setting Probe .....	40
NC3 Fixed System Retrofit Kit .....	41
NC3 Fixed System Hardware Only Kit .....	41
NC3 Components .....	41
Machine Tool Probe Software .....	42
Inspection Plus Software for Machining Centers .....	42
Inspection Plus Software for Machining Centers Using MP700 .....	42
Tool Setting Software for Machining Centers .....	43
CNC Options for Probing .....	44
Software Options .....	44
High-Speed Skip Hardware Options .....	44

# FANUC CNC Parts



## Introduction To Machine Tool Probes

The invention of the touch trigger probe in the early 1970s revolutionized the development of the CMM (co-ordinate measuring machine) as the industry standard for 3D measurement.

Although the potential for applying probe routines on machine tools was quickly realized, it was not until the mid-1980s and development of more sophisticated machine controls, that probing became adopted by the world's largest machine tool builders.

Historically, there has been a marked reluctance by the users of machine tools to use probing, typical objections included "increased cycle times" and "machine tools are for cutting not for measuring". Both sentiments have been largely based on misconceptions as to the real applications and benefits of probing, and also entrenched attitudes to improvements in methods of machine tool operation.

Today, the acceptance of quality control in the production environment, and drive towards maximizing machine productivity, has finally seen probing accepted as standard practice in the field of production engineering.

## Applications

### *Tool Setting*

Using slip gauges and entering offset data manually takes time and is prone to operator error. Tool setting probes are easily installed on machining centers and CNC (computer numerically controlled) lathes and allow automated operation with the following benefits:

- > Significant time savings with reduced machine downtime
- > Accurate tool length and diameter measurement
- > Automatic tool offset calculation and correction
- > Elimination of manual setting errors
- > In-cycle tool breakage detection

### *Part Set-up*

Probing eliminates the need for expensive fixtures and manual setting with dial indicators. Probes are spindle-mounted on machining centers and turret-mounted on lathes giving the following benefits:

- > Reduced machine downtime
- > Automatic fixture, part alignment and rotary axis set-up
- > Elimination of manual setting errors
- > Reduced scrap
- > Increased productivity and batch size flexibility

### *Part Inspection*

Spindle and turret-mounted probes can also be used for in-cycle gauging and 1st-off inspection - manual gauges rely on operator skill and the removal of parts to CMMs is not always practical. Benefits include:

- > In-cycle part measurement with automatic offset correction
- > Increased confidence in unmanned machining
- > First-off inspection with automatic offset update
- > Reduced machine downtime from awaiting 1st-off results

## Probe System Selection

This section has been designed to help you to select the ideal probing system for your machine tool application.

GE Fanuc's broad product range of Renishaw probes covers inspection and tool setting applications on CNC machining centers, lathes and grinders, and manual milling machines.

Comprehensive probing software, styli and accessories cater for every probing need. Where a standard product is not ideal, GE Fanuc can tailor a solution to your particular needs.

The type of probing system that you need will depend on your machine tool and the nature of the probing application. This section contains information that focus on the main applications for probing on machine tools.

For inspection probing systems, you also need to consider the type of transmission system that you require. This decision will depend on the size and configuration of your machine tool.

### *Selection Procedure*

#### Step 1

Which probing application do you require?

1. Inspection / part set-up Go to Step 2.
2. Tool setting / broken tool detection Go to Step 3.

#### Step 2

What type of transmission do you require for your inspection probing system?

Go to Transmission Selection to identify the best transmission system for your machine tool. An overview will help you to choose, with a detailed specification of transmission performance on the subsequent data pages.

#### Step 3

Which probe is best for your application?

Go to the appropriate section (3, 4, 5 or 6) for your application. On the first page is an overview of Renishaw's products and a guide for probe selection. If no standard product meets your requirement, refer to section 11 (Custom design service).

#### Step 4

Check the probe details.

Check the technical information listed on the data page for the probe that you have selected to ensure that it meets your requirements. If yours is an inspection probing application, check that the probe can operate with the transmission system that you have chosen.



### Step 5

Check the interface details.

The probe data page defines the compatible electrical interface unit for your chosen probe. Go to section 7 (Machine interface units) to check that the interface is suitable for your machine tool controller.

### Step 6

Identify your shank adapter requirements.

Section 8 (Shank adapters) will help you either to make your own shank adapter, or to choose from Renishaw's range of standard items.

### Step 7

Identify your software requirements

GE Fanuc has a comprehensive range of probing software packages suitable for most probing applications. Check the Machine Tool Probe Software section to see whether suitable probing software is available for your machine tool controller.

GE Fanuc can provide advance custom macro development for any specialize application.

### Step 8

GE Fanuc probes are supplied with styli suitable for most applications. Section 9 (Styli and accessories) gives further information on Renishaw's stylus range. Refer to Renishaw's Styli and accessories guide (document H-1000-3200) for full details.

### Step 9

What CNC options do you need?

The CNC must have certain hardware and options to communicate with a probe system and to automate the application of the measurements performed.

## Machining Center Inspection Probes

GE Fanuc probes can be used on machining centers and milling machines for component setting and inspection applications.

### *Component Setting*

The probe identifies the position of the workpiece, automatically updating work offsets, enabling parts to be made right first time.

This can also be used for:

- > part identification for unattended operation.
- > component location and also mis-load detection to avoid scrap.
- > excess material identification to bring the cutter to the component quickly and safely.

### *First-off Inspection*

Inspection of the first component in a batch on the machine tool to:

- > reduce the time the machine is idle awaiting feedback from an off-line inspection device.
- > correct any errors automatically.

### *In Process Inspection*

Measure components following rough machining to:

- > ensure critical final cuts are correct.
- > highlight errors before they become faults.

The frequency of inspection will depend on the value of the component and confidence in the machine's performance. Inspection of key features on high value components is usually essential for unmanned machining operations. Post process inspection

Inspection of the part once the machining is completed can be used to:

- > provide information to certify that the component is within its specification.
- > record part dimensions for statistical process

## Probe Selection

On machining centers, probes require a remote transmission system

The following show some of the most common types of inspection probe applications on machining centers:

1. The OMP40 has been designed specifically to meet the demands for small to medium sized machining centers and the growing family of high-speed machines fitted with small HSK and small taper spindles.
2. The MP10/MP10E and a wide range of accessories that make it flexible for specialized applications.
3. A horizontal machining centre fitted with an MP10 probe featuring 360° optical transmission. The MP10 is also suitable for larger vertical machines.
4. The MP16 probe has been designed for use on very large machines where the probe and the controller may be separated by large distances.

Other common applications include:

- > Where high precision is required, the MP700 'strain gauge' probe is recommended. Using optical transmission, the MP700 is ideal for inspection of contoured components and components requiring long styli reach.
- > The MP10E/MP700E systems have been specifically designed for 5-axis and large machining centers.

Machine	Compact	Small	Medium	Large
Vertical	OMP40	OMP40	OMP40/MP18	MP16/MP10E
Horizontal	OMP40	OMP40	OMP40/MP18	MP16/MP10E
High Accuracy		MP700	MP700	MP700
Special Applications		MP10	MP10	MP10E

## Transmission Selection

A probe must be able to communicate with the control system (CNC) of the machine to which it is fitted. Signals must pass from probe to the machines' controller to register contact of the probe stylus with the component or tool. Similarly, signals must pass from the machines' controller to probe to control the functioning of the probe.

The passage of these signals is handled by a transmission system. The choice of transmission system depends on the type of probe and the type of machine tool to which it is fitted.

Inspection probes for machining centers are typically located in a tool carousel and are interchanged like conventional tools. On lathes, the probe is typically a semi-permanent feature of a rotating turret. In both cases, communicating between probe and CNC generally has to be remote.

For tool setting applications the probe is typically mounted in a fixed location, thereby allowing direct communication between probe and CNC.

GE Fanuc probes use four main types of transmission systems:

- > Optical
- > Radio
- > Inductive
- > Direct or 'hard wired'

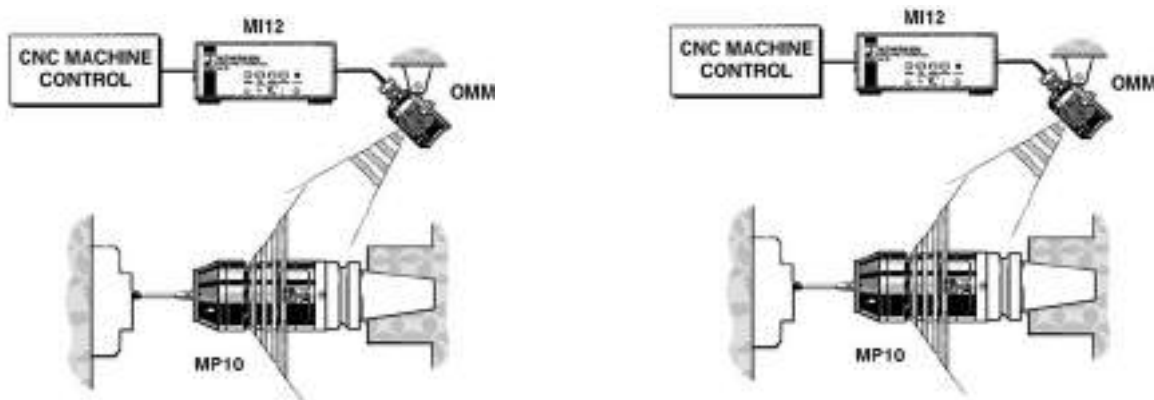
## Optical Transmission System

An optical transmission system uses infra-red technology as a means of communication between probe and CNC machine controller and consists of the following:

- > Probe module  
The probe receives machine control signals and transmits probe status signals. There are two active modes, stand by and operating. In stand by mode the probe is a receiver waiting for a signal to switch to operating mode. In operating mode it transmits probe information to the OMM receiver. Probe battery status information is also transmitted in the same manner.
- > Optical Machine Module (OMM)  
The OMM is the receive/transmit communication partner for the probe module. It is hard-wired to a machine interface unit.
- > Machine Interface Unit (M112)  
The interface converts probe signal information into a form that is compatible with the machine controller. In addition it also has visual and/or audible indicators for probe status, system power, battery status and error diagnostics.
- > Optical machine interface (OMI)  
The functions of the OMM and M112 have been combined into a single module, the optical machine interface (OMI) offering functionality specifically optimized to the needs of smaller machine tools.

### Applications

Inspection systems on small to large sized machining centers and lathes.

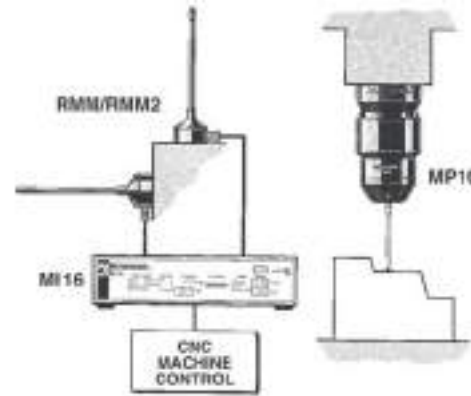


## Radio Transmission Systems

A radio transmission system provides a long range (up to 15m) non-line-of-sight means of communication between the probe and machine's controller. Within the designated frequency band are user selectable sub channels, allowing multiple radio systems to operate in close proximity. Radio probes are classified as short range devices and meet the requirements for license free operation. Different frequency / power versions of these probes are required depending on country of operation.

A radio transmission system consists of the following:

- > Probe  
The probe receives machine control signals and transmits probe status signals. There are two active modes, stand by and operating. In stand by mode the probe is a receiver waiting for a signal to switch to operating mode. In operating mode it transmits probe status information to the RMM receiver. Probe battery status information is also transmitted in the same manner.
- > Radio machine module (RMM/RMM2)  
The RMM/RMM2 incorporates the antenna for the system. To ensure suitable coverage it is recommended that a minimum of 2 are used in most installations. The RMM2s are hard wired to a machine interface unit.
- > Machine interface unit (M116)  
The interface converts probe signal information into a form that is compatible with the machines controller. In addition, it has visual and/or audible indicators for probe status, signal strength, start mode, system power, channel selection, battery status and error diagnostics.



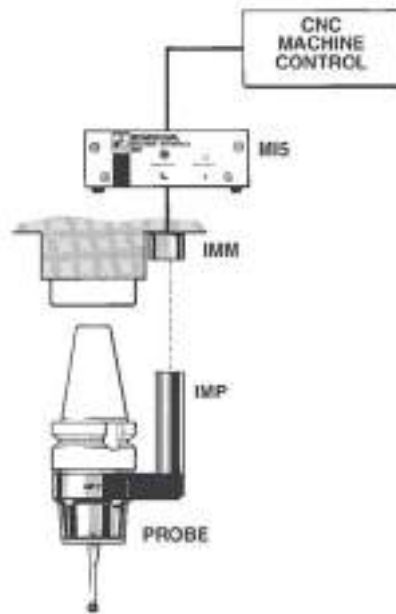
### Applications

- > Inspection systems on large machining centers or lathes, such as those with axis travel >3 m.
- > Inspection systems on machines where a line of sight between the probe and the receiver cannot be guaranteed e.g. machines fitted with spindles that may be re-orientated and large vertical turret lathes.

## Inductive Transmission Systems

Inductive transmission works by passing power and probe signals across a small air gap between two induction modules. Typically, a probe fitted with an inductive transmission system consists of the following:

- > Probe and inductive probe module (IMP)  
Mounted on a shank, the IMP receives power from, and passes probe signals to, the IMM.
- > Machine module (IMM)  
Communicates with the IMP. Mounted on the machine tools spindle nose, the IMM is 'hard-wired' to a Machine Interface Unit.
- > Machine interface unit (MI5)  
Converts probe signals into a form which is compatible with the machine tools controller. The interface also has visual and audible indicators of probe status.



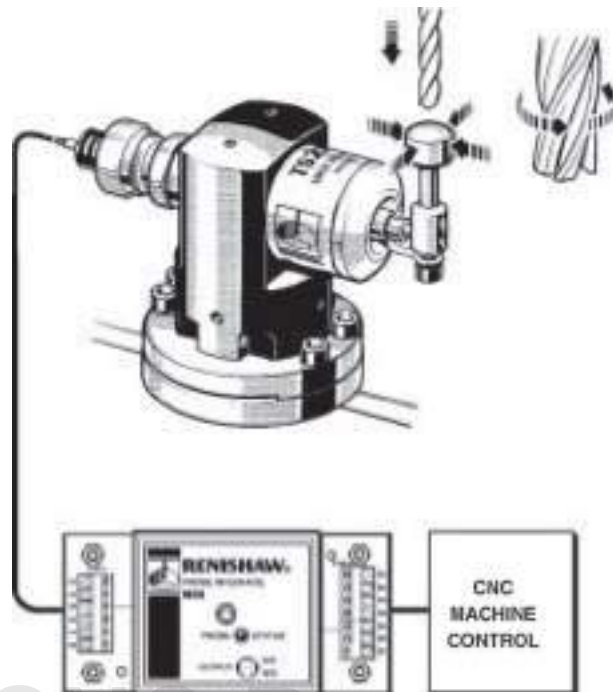
### Applications

- > Inspection systems on machining centers and lathes. Inductive transmission is suitable for fitting by machine builders only.

## Hard-Wired Transmission Systems

A hard wired probe system has the simplest form of transmission system and typically comprises of the following elements:

- > Signal cable connects the probe to a machine interface unit, carrying power and probe signals.
- > Machine Interface unit (MI8) converts probe signals into a form that is compatible with the CNC. The interface also has visual indicators for probe status and error diagnostics.



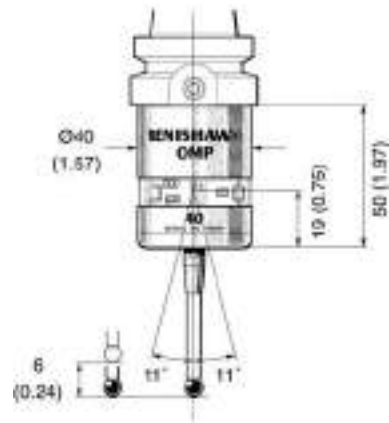
### Applications

- > Tool setting on machining centers and lathes where the probe remains in a fixed location.
- > Inspection on milling machines where the probe is manually placed in the machine spindle.

## OMP40 Inspection Probe

The OMP40 has been specifically designed to meet the demands for small machining centers and the growing family of high-speed machines fitted with small HSK and small taper spindles.

- > Small Size
- > Extended battery life



Principle Application	Small to Medium Machining centers	
Transmission Type	360° infra-red optical transmission	
Maximum Range	OMP40 OMI	3 meters
	OMP40 OMM/MI12	3 meters
Turn On/Off Method	M-code or optical on/optical off or optical on/time out	
Uni-directional Repeatability Max (2s) at Stylus Tip	1 µm	0.00004 in
Weight	262 g	19.25 oz
Trigger Force (factory setting)	Not adjustable	
XY Plane - lowest force	0.5 N (50 gf)	1.76 ozf
XY Plane - highest force	0.9 N (90 gf)	3.17 ozf
+Z Direction	5.85 N (585 gf)	20.6 ozf
Stylus Overtravel		
XY Plane	±12.5°	
+Z Direction	6 mm	0.23 in
Standard Stylus Length	50 mm	1.97 in
Maximum Stylus Length	100 mm	3.94 in
Battery Life	2 x ½ AA	
Standby	2200 days	
5% Usage	220 days	
Continuous Life	290 hours	
Sealing	IPX8	
Shanks	Various	
Compatible Interface	OMI or OMM/MI12	



## *OMP40 retrofit kit*

Includes:

- > OMP40 probe
- > OMM
- > OMM mounting bracket
- > MI12 interface
- > 50 mm and 100 mm ceramic styli
- > Sealrite kit Renishaw inspection software
- > Installation and application support

<b>Description</b>	<b>Part No.</b>	<b>Price</b>
OPM40 Retrofit Kit	OMP40-NS-S	\$9,693

Note: The retrofit questionnaire at the end of this section must be filled out and returned to GE Fanuc before a retrofit order can be processed.

## *OMP40 Hardware Only Kit*

Includes:

- > OMP40 probe
- > OMM
- > OMM mounting bracket
- > MI12 interface
- > 50 mm and 100 mm ceramic styli
- > Sealrite kit

<b>Description</b>	<b>Part No.</b>	<b>Price</b>
OPM40 Hardware Only Kit	OMP40-NS-KIT	\$5,693

## *OMP40 Probe*

Includes:

- > OMP40 probe
- > ½ AA batteries (2)
- > Tool kit

<b>Description</b>	<b>Part No.</b>	<b>Price</b>
OMP40 Probe	A-4071-0001	\$3,533

## *Interface Components*

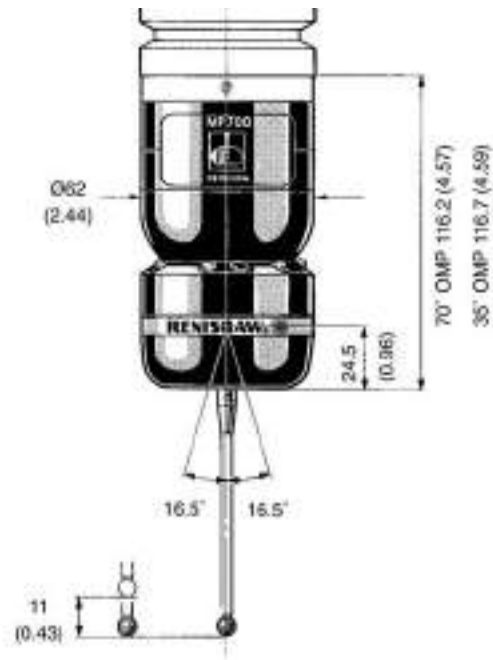
<b>Description</b>	<b>Part No.</b>	<b>Price</b>
OMM Optical Receiver	A-2033-0576	\$916
OMM mounting bracket	A-2033-0830	\$110
M12 Interface	A-2075-0142	\$865
Sealrite Conduit (¼ in conduit, 5 ft long, one fitting)	SEALTITE, 7455	\$21

## MP700 / MP700E Inspection Probe

The MP700 is an optical transmission part probing system for use on machining centers. The MP700 is specifically designed to deliver high-accuracy CMM type probe performance. The MP700 uses strain gage sensors and an internal microprocessor to provide a solid-state sensor mechanism with unprecedented life and reliability. Low trigger force and consistent pretravel results in high accuracy with long styli.

The MP700 is available with either 35° or 70° output. An M code must be supplied to turn the probe on. An internal timer or M code is used to turn the probe off.

- > 3D vector measurements
- > High accuracy
- > Extended stylus lengths (200 mm)
- > Low trigger force



Principle Application	High accuracy inspection on vertical and horizontal machining centers	
Transmission Type	360° infra-red optical transmission 35° and 70° angles (MP700E - 70° only)	
Maximum Range	MP700 OMIMP 700 OMM/MI12 MP700E OMME/MI12E	3 meters 6 meters M-code, 3 meters optical on 9.5 meters M-code, 3 meters optical on
Turn On/Off Method	M-code or optical on/optical off or optical on/time out	
Uni-directional Repeatability Max (2s) at Stylus Tip	0.25 µm	0.00001 in
Pretravel Variation		
XY Plane - constant force	±0.25 µm	±0.00001 in
XYZ (variation from sphere)	±1.0 µm	±0.00004 in
Weight	700 g	25 oz
Trigger Force (factory setting)	Not adjustable	
XY Plane - constant force	0.02 N (2 gf)	0.07 ozf
+Z Direction	0.15 N (15 gf)	0.53 ozf
Stylus Overtravel		
XY Plane	±16.5°	
+Z Direction	11 mm	0.43 in
Standard Stylus Length	50 mm	1.97 in
Maximum Stylus Length	200 mm	7.87 in
Battery Life	1 x 6LR61 (PP3 9V alkaline)	
Standby	381 days	
5% Usage	36 days	
Continuous Life	43 hours	
Sealing	IPX8	
Shanks	Various	
Compatible Interface	MP700 MP700E	OMI or OMM/MI12 OMME/MI12E

## ***MP700 Retrofit Kit***

Includes:

- > MP700 probe with 70° OMP
- > OMM
- > OMM mounting bracket
- > MI12 interface
- > 50mm and 100mm carbon fiber styli
- > Sealrite conduit
- > 9V alkaline battery
- > TK1 tool kit
- > Renishaw Inspection software
- > Installation and application support

A shank (tool holder) is not included in this kit. See the section entitled Shanks and Toolholders for price and part number information.

<b>Description</b>	<b>Part No.</b>	<b>Price</b>
MP-700 Retrofit Kit	MP700-NS-S	\$10,467

Note: The Probe Retrofit Questionnaire in the appendix must be filled out and returned to GE Fanuc before a probe retrofit order can be processed.

## ***MP700 Hardware Only Kit***

Includes:

- > MP700 probe with 70° OMP
- > OMM
- > OMM mounting bracket
- > MI12 interface
- > 50mm and 100mm carbon fiber styli
- > Sealrite conduit
- > 9V alkaline battery
- > TK1 tool kit

A shank (tool holder) is not included in this kit. See the section entitled Shanks and Toolholders for price and part number information.

<b>Description</b>	<b>Part No.</b>	<b>Price</b>
MP-700 Hardware Only Kit	MP700-NS-KIT	\$6,467

## ***MP700 Probe***

Includes:

- > MP700 probe
- > Adjusting plate
- > 9V alkaline battery
- > Tool kit

<b><u>Description</u></b>	<b><u>Part No.</u></b>	<b><u>Price</u></b>
MP700 Probe (35°)	A-2107-0035	\$4,240
MP700 Probe (70°)	A-2107-0070	\$4,240

## ***M700 Probe Module and OMP***

<b><u>Description</u></b>	<b><u>Part No.</u></b>	<b><u>Price</u></b>
MP700 Probe Module	A-2108-0001	\$3,465
MP700 Probe (35°)	A-2107-0036	\$788
MP700 Probe (70°)	A-2107-0071	\$788

## ***Interface Components***

<b><u>Description</u></b>	<b><u>Part No.</u></b>	<b><u>Price</u></b>
OMM Optical Receiver	A-2033-0576	\$916
OMM mounting bracket	A-2033-0830	\$110
M12 Interface	A-2075-0142	\$865
Sealtite Conduit (¼ in conduit, 5 ft long, one fitting)	SEALTITE, 7455	\$21

## ***MP700E Retrofit Kit***

Includes:

- > MP700E probe with 70° OMP
- > 2 OMMEs
- > 2 OMM mounting brackets
- > MI12E interface
- > 50mm and 100mm carbon fiber styli
- > Sealrite conduit
- > 9V alkaline battery
- > TK1 tool kit
- > Renishaw Inspection software
- > Installation and application support

A shank (tool holder) is not included in this kit. See the section entitled Shanks and Toolholders for price and part number information.

<b>Description</b>	<b>Part No.</b>	<b>Price</b>
MP-700E Retrofit Kit	MP700E-NS-S	\$11,861

Note: The Probe Retrofit Questionnaire in the appendix must be filled out and returned to GE Fanuc before a probe retrofit order can be processed.

## ***MP700E Hardware Only Kit***

Includes:

- > MP700E probe with 70° OMP
- > 2 OMMEs
- > 2 OMM mounting brackets
- > MI12E interface
- > 50mm and 100mm carbon fiber styli
- > Sealrite conduit
- > 9V alkaline battery
- > TK1 tool kit

A shank (tool holder) is not included in this kit. See the section entitled Shanks and Toolholders for price and part number information.

<b>Description</b>	<b>Part No.</b>	<b>Price</b>
MP-700E Hardware Only Kit	MP700E-NS-KIT	\$7,861

## ***MP700E Probe***

Includes:

- > MP700E probe
- > Adjusting plate
- > 9V alkaline battery
- > TK1 tool kit

<b><u>Description</u></b>	<b><u>Part No.</u></b>	<b><u>Price US\$</u></b>
MP-700E Probe (70°)	A-2107-0159	\$4,452

## ***M700 Probe Module and OMP***

<b><u>Description</u></b>	<b><u>Part No.</u></b>	<b><u>Price US\$</u></b>
MP700 Probe Module	A-2108-0001	\$3,465
MP700 Probe (70°)	A-2107-0071	\$788

## ***Interface Components***

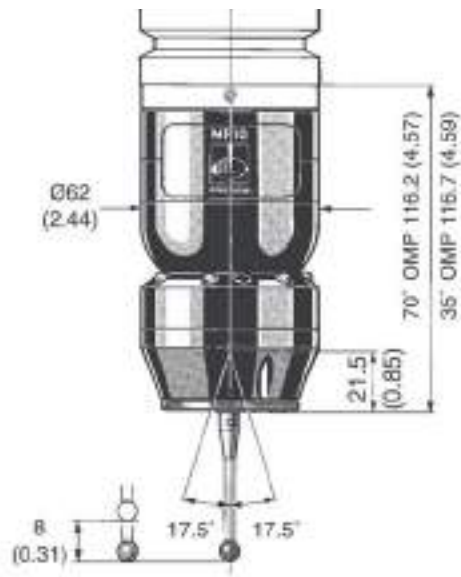
<b><u>Description</u></b>	<b><u>Part No.</u></b>	<b><u>Price US\$</u></b>
OMM Optical Receiver	A-2033-0576	\$916
OMM mounting bracket	A-2033-0830	\$110
M12E Interface	A-2075-0323	\$908
Sealtite Conduit (¼ in conduit, 5 ft long, one fitting)	SEALTITE, 7455	\$21

## MP10 / MP10E Inspection Probe

The MP10 inspection probe is a robust probe designed for workpiece setup and workpiece inspection on small to medium sized CNC machining centers.

The MP10E is designed for use on large and 5-axis machining centers.

The MP10 is available with either 35° or 70° output. The probe is turned on using either an M code or the auto-start feature and turned off using an M code or an internal timer.



Principle Application	Vertical and horizontal machining centers	
Transmission Type	360° infra-red optical transmission 35° and 70° angles (MP10E - 70° only)	
Maximum Range	MP10 OMI	3 meters
	MP10 OMM/MI12	6 meters M-code, 3 meters optical on
	MP10E OMME/MI12E	9.5 meters M-code, 3 meters optical on
Turn On/Off Method	M-code or optical on/optical off or optical on/time out	
Uni-directional Repeatability Max (2s) at Stylus Tip	1.0 µm	0.00004 in
Weight	730 g	26 oz
Trigger Force (factory setting)	Adjustable	
XY Plane - lowest force	0.75 N (75 gf)	2.64 ozf
XY Plane - highest force	1.40 N (140 gf)	4.92 ozf
+Z Direction	4.90 N (490 gf)	17.3 ozf
Stylus Overtravel		
XY Plane	±17.5°	
+Z Direction	8 mm	0.31 in
Standard Stylus Length	50 mm	1.97 in
Maximum Stylus Length	100 mm	3.94 in
Battery Life	1 x 6LR61 (PP3 9V alkaline)	
Standby	365 days	
5% Usage	98 days	
Continuous Life	140 hours	
Sealing	IPX8	
Shanks	Various	
Compatible Interface	MP10	OMI or OMM/MI12
	MP10E	OMME/MI12E

## ***MP10 Retrofit Kit***

Includes:

- > MP10 probe with 70° OMP
- > OMM
- > OMM mounting bracket
- > MI12 interface
- > 50 mm and 100 mm ceramic styli
- > Sealrite conduit
- > 9 V alkaline battery
- > TK1 tool kit
- > Renishaw Inspection software
- > Installation and application support

A shank (tool holder) is not included in this kit. See the section entitled Shanks and Toolholders for price and part number information.

<b><u>Description</u></b>	<b><u>Part No.</u></b>	<b><u>Price</u></b>
MP10 Retrofit Kit	MP10-NS-S	\$9,693

Note: The retrofit questionnaire at the end of this section must be filled out and returned to Renishaw before a retrofit order can be processed.

## ***MP10 Hardware Only Kit***

Includes:

- > MP10 probe with 70° OMP
- > OMM
- > OMM mounting bracket
- > MI12 interface
- > 50 mm and 100 mm ceramic styli
- > Sealrite conduit
- > 9 V alkaline battery
- > TK1 tool kit

A shank (tool holder) is not included in this kit. See the section entitled Shanks and toolholders for price and part number information.

<b><u>Description</u></b>	<b><u>Part No.</u></b>	<b><u>Price</u></b>
MP10 Hardware Only Kit	MP10-NS-KIT	\$5,693



## MP10 Probe

Includes:

- > MP10 probe
- > Adjusting plate
- > 9 V alkaline battery
- > TK1 tool kit

<b>Description</b>	<b>Part No.</b>	<b>Price</b>
MP10 Probe (35°)	A-2033-1099	\$3,533
MP10 Probe (70°)	A-2033-1100	\$3,533

## Interface Components

<b>Description</b>	<b>Part No.</b>	<b>Price</b>
OMM Optical Receiver	A-2033-0576	\$916
OMM mounting bracket	A-2033-0830	\$110
M12 Interface	A-2075-0142	\$865
Sealtite Conduit (¼ in conduit, 5 ft long, one fitting)	SEALTITE, 7455	\$21

## ***MP10E Retrofit Kit***

Includes:

- > MP10E probe with 70° OMP
- > 2 OMMEs
- > 2 OMM mounting brackets
- > MI12E interface
- > 50 mm and 100 mm ceramic styli
- > Sealrite conduit
- > 9 V alkaline battery
- > TK1 tool kit
- > Renishaw Inspection software
- > Installation and application support

A shank (tool holder) is not included in this kit. See the section entitled Shanks and toolholders for price and part number information.

<b><u>Description</u></b>	<b><u>Part No.</u></b>	<b><u>Price</u></b>
MP10E Retrofit Kit	MP10E-NS-S	\$11,052

Note: The retrofit questionnaire at the end of this section must be filled out and returned to Renishaw before a retrofit order can be processed.

## ***MP10E Hardware Only Kit***

Includes:

- > MP10E probe with 70° OMP
- > 2 OMMEs
- > 2 OMM mounting brackets
- > MI12E interface
- > 50 mm and 100 mm ceramic styli
- > Sealrite conduit
- > 9 V alkaline battery
- > TK1 tool kit

A shank (tool holder) is not included in this kit. See the section entitled Shanks and Toolholders for price and part number information.

<b><u>Description</u></b>	<b><u>Part No.</u></b>	<b><u>Price</u></b>
MP10E Hardware Only Kit	P10E-NS-KIT	\$7,052

## *MP10E Probe*

<b>Description</b>	<b>Part No.</b>	<b>Price</b>
MP10E Probe (70°)	A-2085-0096	\$3,710

## *Interface Components*

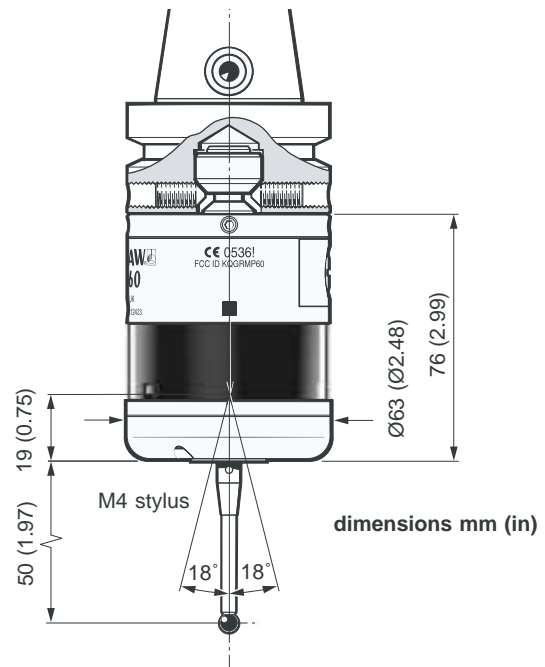
<b>Description</b>	<b>Part No.</b>	<b>Price</b>
OMME Optical Receiver	A-2033-7268	\$962
OMM mounting bracket	A-2033-0830	\$110
M12E Interface	A-2075-0323	\$908
Sealtite Conduit (¼ in conduit, 5 ft long, one fitting)	SEALTITE, 7455	\$21

## RMP60 Radio Transmission Inspection Probe

The RMP60 inspection probe is the first to use frequency hopping spread spectrum (FHSS) transmission, and offers rapid part set up and part verification on machining centers of all sizes.

The RMP60 system comprises the probe and the RMI - a combined interface and receiver unit. The probe's robust body and compact dimensions allow it to access surfaces produced by short tools, without being restricted by the upper limits of the machine's Z travel.

Unlike conventional radio transmissions, the RMP60's unique transmission system does not use a dedicated radio channel. Instead, the probe and receiver 'hop' together through a sequence of frequencies, enabling multiple probe systems and other industrial equipment to coexist in confidence, with negligible chance of interference.



Principle Application	Medium to large vertical, horizontal, gantry, and 5-axis machining centers	
Transmission Type	Frequency hopping spread spectrum radio (FHSS)	
Maximum Range	15m	
Nominal Frequency	2.402-2.481 GHz	
Turn On Control	M-code, spin or shank switch	
Turn Off Control	M-code, time out, spin or shank switch	
Uni-directional Repeatability Max (2s) at Stylus Tip	1.0 µm	0.00004 in
Weight	730 g	26 oz
Trigger Force (factory setting)	Adjustable	
XY Plane - lowest force	0.75 N (75 gf)	2.64 ozf
XY Plane - highest force	1.40 N (140 gf)	4.92 ozf
+Z Direction	3.70 N (370 gf)	13.05 ozf
Stylus Overtravel		
XY Plane	±18°	
+Z Direction	11 mm	0.43 in
Standard Stylus Length	50 mm	1.97 in
Maximum Stylus Length	150 mm	5.91 in
Battery Life	2 x AA (1.5V alkaline)	
Standby	1,538 days	
5% Usage	115 days	
Continuous Life	144 hours	
Sealing	IPX8	
Shanks	Various	
Compatible Interface	RMI combined interface and receiver	

## ***RMP60 Retrofit Kit***

Includes:

- > RMP60 probe
- > RMI
- > RMI mounting bracket
- > 50mm and 100mm carbon fiber styli
- > Sealrite conduit
- > 2 x AA 1.5V alkaline battery
- > TK1 tool kit
- > Renishaw Inspection software
- > Installation and application support

A shank (tool holder) is not included in this kit. See the section entitled Shanks and Toolholders for price and part number information.

<b><u>Description</u></b>	<b><u>Part No.</u></b>	<b><u>Price</u></b>
RMP60 Retrofit Kit	RMP60-NS-S	\$11,526

Note: The Probe Retrofit Questionnaire in the appendix must be filled out and returned to GE Fanuc before a probe retrofit order can be processed.

## ***RMP60 Hardware Only Kit***

Includes:

- > RMP60 probe
- > RMI
- > RMI mounting bracket
- > 50mm and 100mm carbon fiber styli
- > Sealrite conduit
- > 2 x AA 1.5V alkaline battery
- > TK1 tool kit

A shank (tool holder) is not included in this kit. See the section entitled Shanks and Toolholders for price and part number information.

<b><u>Description</u></b>	<b><u>Part No.</u></b>	<b><u>Price</u></b>
RMP60 Hardware Only Kit	RMP60-NS-KIT	\$7,526

## RMP60 Probe

Includes:

- > Probe
- > Batteries
- > Tool kit
- > User's guide

<b>Description</b>	<b>Part No.</b>	<b>Price US\$</b>
RMP60 probe (set to radio on/radio off)	A-4113-0001	\$4,457

## Interface Components

The RMI is a combined transmitter and receiver unit for use with the new RMP60 radio probe. It is designed to be mounted within the machine's working envelope and can be positioned anywhere near the machine, resulting in a quick and simple installation.

<b>Description</b>	<b>Part No.</b>	<b>Price US\$</b>
RMI RMI complete with 15 m (49.2ft) cable	A-4113-0050	\$2,378
Mounting bracket. Suitable for OMM, OMI and RMI.	A-2033-0830	\$110
Conduit kit with 1 m (3.28ft) of conduit and connector	A-4113-0306	\$25
Cover/antenna assembly (including hardware)	A-4113-0305	
Cable assy Cable assembly 15 m (49.2 ft) long	A-4113-0302	
Cable assy Cable assembly 30 m (98.4 ft) long	A-4113-0303	
Cable assy Cable assembly 50 m (164ft) long	A-4113-0304	

## Tool Kit

Includes:

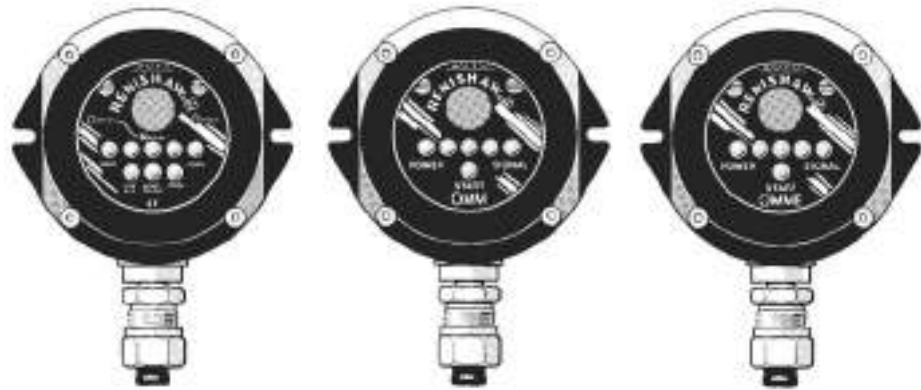
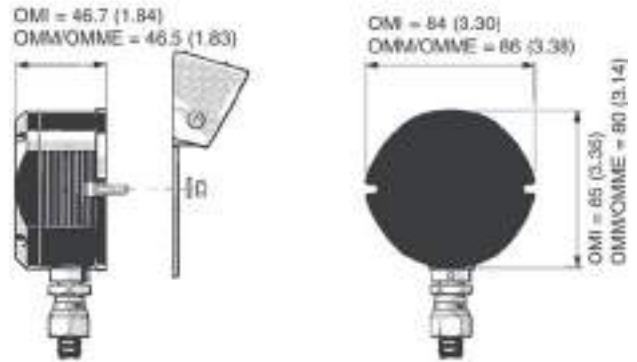
- > 2 mm hex key
- > 4 mm hex key
- > 14 x ferrules
- > 4 x M5 screw
- > 2 x m5 nut
- > 4 x M5 washer
- > O ring (34.5 x 3 mm)

<b>Description</b>	<b>Part No.</b>	<b>Price US\$</b>
Tool Kit	A-4113-0300	

## OMI / OMM / OMME Optical Modules

The OMI and OMM are optical transmitter/receivers that convey signals between a probe system and the CNC machine's control. The OMI differs from the OMM by including machine interface circuitry that processes signals and can therefore be connected directly to the machine control.

The physically identical OMM requires an additional MI12 interface unit. 2 x OMME are typically used in conjunction with a MI12E interface. All units contain LEDs that transmit and receive signals to and from the probe. There are also LEDs that indicate probe status, start signal status, battery condition and error condition.



	OMI	OMM	OMME
Principle Application	Small sized machining centers and lathes	Medium sized machining centers and lathes	Large and 5-axis machining centers
Transmission Type	infra-red optical transmission		
Cable	Screened 12 core x 8m long	Screened, 5 core x 25 m long	Screened, 5 core x 25 m long
Mounting	A mounting bracket is available allowing directional setting		
Sealing	IPX8		
Compatible Interface	Not required	MI12 (Note: 2 OMMs can be connected to a single MI12)	MI12E (2 OMMEs can be connected to a single MI12E)
Compatible Probes	OMP40, MP10, MP12 and MP700 for machining centers LT02S, LT02T, LT03T and LT02 for lathes	OMP40, MP10, MP12 and MP700 for machining centers LT02S, LT02T, LT03T and LT02 for lathes	MP10E and MP700E

## Probe Interfaces

### MI5 interface

The MI5 interface is required for use with inductive transmission probe systems. The MI5 converts probe signals into an acceptable form for the CNC machine control. This interface has solid-state relay outputs.

<u>Description</u>	<u>Part No.</u>	<u>Price</u>
MI5 Interface	A-2019-0006	\$542
MI5 board only (SSR)	A-2084-0500	\$463



### MI8 interface

The MI8 interface is required for use with hard-wired probe system. The MI8 converts probe signals into an acceptable form for the CNC machine control. This interface has solid-state relay outputs.

<u>Description</u>	<u>Part No.</u>	<u>Price</u>
MI8 Interface	A-2037-0010	\$184



### Solid-State Relay Converter

The SSR converter is used to convert the OCT electrical output of the high precision arm with TS20 and signal conditioning module to voltage-free SSR output.

Includes:

- > SSR converter board (complete)
- > FS1 63mA quick blow fuse (1) FS2 100mA anti-surge fuse (1) Self-adhesive stand off feet (4) Stand off feet (4)

<u>Description</u>	<u>Part No.</u>	<u>Price</u>
SSR Converter	A-2023-0010	\$129

### MI12 interface

The MI12 interface is required for use with all Renishaw optical transmission probe systems. The MI12 converts probe signals into an acceptable form for the CNC machine control. This interface has solid-state relay outputs.

<u>Description</u>	<u>Part No.</u>	<u>Price</u>
MI12 Interface	A-2075-0142	\$865
MI12 Board Only (SSR)	A-2075-0141	\$741





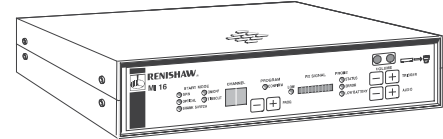
### *MI12E high power interface*

The MI12E high power interface is required for use with all Renishaw optical transmission probe systems. The MI12E converts probe signals into an acceptable form for the CNC machine control. This interface has solid state relay outputs.

<u>Description</u>	<u>Part No.</u>	<u>Price</u>
MI12E Interface	A-2075-0323	\$908

### *MI16 interface*

The MI16 interface for 224 MHz frequency is required for use with all Renishaw radio probe systems. The MI16 converts probe signals into an acceptable form for the CNC machine control. This interface has solid-state relay outputs.



<u>Description</u>	<u>Part No.</u>	<u>Price</u>
MI16 Interface	A-2137-0260	\$1,558

### *Non-contact interfaces*

An NCI or NCI-3 interface is required for use with Renishaw non-contact tool setting systems. The interface converts probe signals into an acceptable form for the CNC machine control. This interface has solid state relay outputs.



<u>Description</u>	<u>Part No.</u>	<u>Price</u>
NCi Interface	A-2253-7800	\$210
NCi-3 Interface	A-4179-1400	\$210

### *OMI Interface*

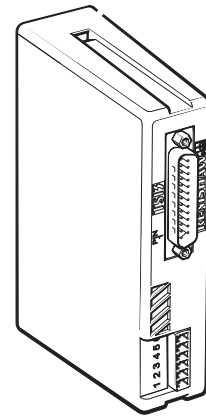
The OMI optical machine interface is designed to reside in the machine's working envelope. Like the OMM, its purpose is to send and receive probe signals. The OMI has the added benefit of supplying totem pole (transistor) output, thus eliminating the need for a separate MI12 interface.



<u>Description</u>	<u>Part No.</u>	<u>Price</u>
OMI Interface	A-2115-0001	\$1,470

## *Lathe Tool Setting Arm Interfaces*

There are two primary configurations of interfaces supporting lathe arms. The TSi2 and TSi3 deliver OCT (active high) output for probe status and arm positions, while the TSi2-C and TSi3-C interfaces deliver SSR solid state relay outputs for probe status and arm positions. The TSi2 and TSi2-C support the HPRA and HPPA lathe arms. The TSi3 and TSi-3C support the HPMA lathe arm.



<b>Description</b>	<b>Part No.</b>	<b>Price</b>
TSi2	A-2176-0010	\$172
TSi2-C	A-2176-1152	\$172
TSi3	A-2181-0465	\$210
TSi3-C	A-2181-2239	\$210

## *PSU3 Power Supply*

The PSU3 supplies power to the MI12 when a 24 V supply is not available from the machine control.



<b>Description</b>	<b>Part No.</b>	<b>Price</b>
PSU3	A-2019-0018	\$281

## Probe Shanks and Toolholders

### Shanks for OMP40

<u>Description</u>	<u>Part No.</u>	<u>Price</u>
Cat 30	M-4071-0050	\$384
Cat 40	M-4071-0058	\$342
BT 30	M-4071-0049	\$395
BT 40	M-4071-0057	\$342
ISO30 DIN69871	M-4071-0048	\$384
HSK A63	M-4071-0129	\$528
ISO40	M-4071-0069	\$367
HSK E25	M-4071-0044	\$447
HSK A32	M-4071-0045	\$447
HSK E32	M-4071-0055	\$447
HSK A40	M-4071-0046	\$447
HSK E40	M-4071-0054	\$447
HSK A50	M-4071-0047	\$603

### OMP40 Shank Kits

CAT 40 shank kit

Includes:

- > Cat 40 shank
- > MP10 shank adapter

<u>Description</u>	<u>Part No.</u>	<u>Price</u>
Cat 40 Shank Kit	M-4071-0058	\$500

### BT 40 shank kit

Includes:

- > BT 40 shank
- > MP10 shank adapter

<u>Description</u>	<u>Part No.</u>	<u>Price</u>
BT 40 Shank Kit	M-4071-0057	\$500

### *Shanks for MP10, MP12, MP700, MP16-R (spin-on), and MP16-F (flash-on) Systems*

<b><u>Description</u></b>	<b><u>Part No.</u></b>	<b><u>Price</u></b>
Cat 30	M-2045-0068	\$342
Cat 40	M-2045-0069	\$342
Cat 45	M-2045-0138	\$342
Cat 50	M-2045-0071	\$342
BT 30	M-2045-0077	\$342
BT 40	M-2045-0027	\$342
BT 45	M-2045-0038	\$342
BT 50	M-2045-0073	\$342
HSK shank A 40	M-2045-0186	\$643
HSK shank A 50	M-2045-0187	\$767
HSK shank A 63	M-2045-0188	\$824
HSK shank A 80	M-2045-0189	\$998
HSK shank A 100	M-2045-0190	\$1,001
1/2 in straight shank	A-2045-0243	\$203
1 in straight shank	A-2030-0252	\$203
25 mm straight shank	A-2030-0211	\$203

### *Shanks for MP16-S (switch-on) System*

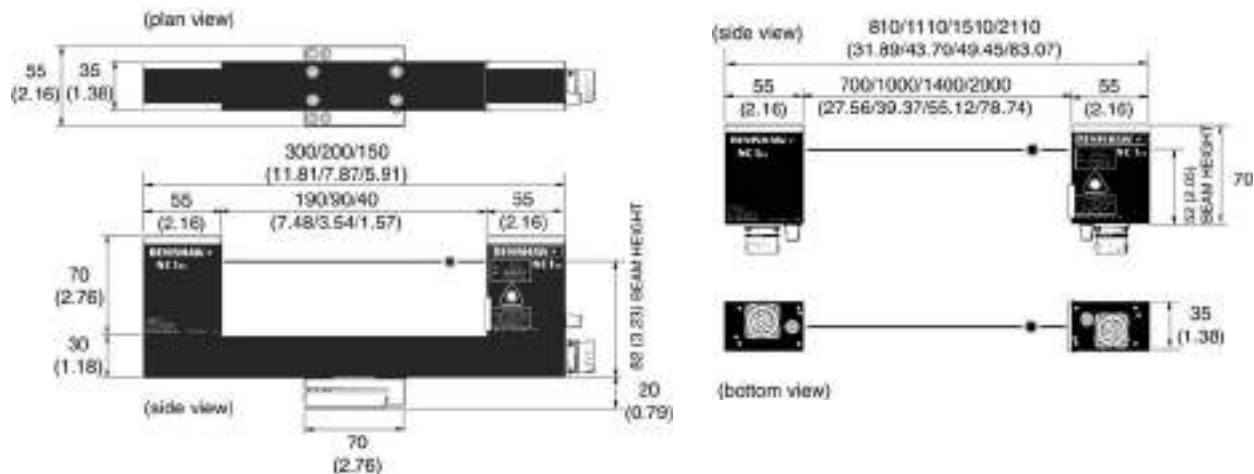
<b><u>Description</u></b>	<b><u>Part No.</u></b>	<b><u>Price</u></b>
Cat 40	M-2137-0473	\$750
Cat 50	M-2137-0474	\$750
Cat 60	M-2137-0475	\$1,752
BT 40	M-2137-0476	\$750
BT 50	M-2137-0477	\$750

## NC1 Tool Setting Probe

The NC1 non-contact tool setting probe is for high-speed, high-precision tool setting and broken tool detection.

The NC1 is a laser based tool setting system designed for the harshest machine tool environments. The system uses a laser source and CNC resident macros to set tool length and diameter and perform broken tool detection cycles. The NC1 can also be used to check for missing or broken inserts, verify the form of a tool and monitor a machineTMs thermal drift.

NC1 is available in fixed or separate configurations. Fixed systems have the laser transmitter and receiver attached to a single mounting beam. Separate systems are supplied with discrete transmitter and receiver units and are designed to be mounted independently.



	Fixed		Separates	
Principle Application	Machining centers		Machining centers	
Transmission Type	Hardwired		Hardwired	
Repeatability of Trigger Points Max (2s)	±1 µm	±0.00004 in	±2 µm	±0.00008 in
Mounting	Adjuster pack supplied		Various options available (see H-2000-2051)	
Sealing	IPX8 with air on		IPX8 with air on	
Compatible Interface	NCI		NCI	
Laser Type	Visible red laser <1mW 670 nm. Conforms to 21 CFR 1040. 10 laser safety standards			
Minimum Tool Diameter Measurement	0.2 mm	0.0079 in	0.2 mm	0.0079 in
Minimum Tool Diameter Tool Breakage Detection	0.06 mm	0.0024 in	0.06 mm	0.0024 in
Outside Length / Beam Length	150/40 mm	5.91/1.57 in	500 to 700 mm	19.68 to 27.56 in
	200/90 mm	7.87/3.54 in	700 to 1000 mm	27.56 to 39.37 in
	300/190 mm	11.81/7.48 in	1000 to 1400 mm	39.37 to 55.12 in
			1400 to 2000 mm	55.12 to 78.74 in

## ***NC1 Fixed System Retrofit Kits***

Include:

- > NC1 fixed unit
- > NCi-3 interface
- > Air regulator kit
- > 07 mm OD x 2 m conduit (2)
- > 12.5 m cable
- > 015 mm OD x 4 m conduit
- > Adjuster pack
- > Tool kit
- > Tool setting software
- > Installation and application support

<b><u>Description</u></b>	<b><u>Part No.</u></b>	<b><u>Price</u></b>
NC1 F150/40 Retrofit Kit	NC1-F150-S	\$7,810
NC1 F200/90 Retrofit Kit	NC1-F200-S	\$7,810
NC1 F300/190 Retrofit Kit	NC1-F300-S	\$7,810

Note: The probe retrofit questionnaire in the appendix must be filled out and returned to GE Fanuc before a retrofit order can be processed.

## ***NC1 Separate System Retrofit Kits***

Include:

- > NC1 separate unit
- > NCi-3 interface
- > Air regulator kit
- > 07 mm OD x 2 m conduit (2)
- > 12.5 m cable
- > 015 mm OD x 4 m conduit
- > Adjuster pack
- > Tool kit
- > Tool setting software
- > Installation and application support

<b><u>Description</u></b>	<b><u>Part No.</u></b>	<b><u>Price</u></b>
NC1 S700 Retrofit Kit (500-700 mm)	NC1-S700-S	\$8,010
NC1 S1000 Retrofit Kit (700-1000 mm)	NC1-S1000-S	\$8,010
NC1 S1400 Retrofit Kit (1000-1400 mm)	NC1-S1400-S	\$8,010
NC1 S2000 Retrofit Kit (1400-2000 mm)	NC1-S2000-S	\$8,010

Note: Brackets and an adjusting method (see below) are not included with NC1 separate systems and must be ordered additionally. Mounting brackets for various machines are continually developed. Contact GE Fanuc for the latest list of compatibility.

### *NC1 Fixed Hardware Only Kits*

<b>Description</b>	<b>Part No.</b>	<b>Price</b>
NC1 F150/40 with NCi-3 Kit	A-2253-8608	\$4,210
NC1 F200/90 with NCi-3 Kit	A-2253-8609	\$4,210
NC1 F300/190 with NCi-3 Kit	A-2253-8610	\$4,210

### *NC1 Separate Hardware Only Kits*

<b>Description</b>	<b>Part No.</b>	<b>Price</b>
NC1 S700 with NCi-3 Kit (500-700 mm)	A-2253-8637	\$4,410
NC1 S1000 with NCi-3 Kit (700-1000 mm)	A-2253-8638	\$4,410
NC1 S1400 with NCi-3 Kit (1000-1400 mm)	A-2253-8639	\$4,410
NC1 S2000 with NCi-3 Kit (1400-2000 mm)	A-2253-8640	\$4,410

Note: Other ranges are available up to 4000 mm. Contact GE Fanuc for availability and specifications.

### *NC1 Accessories*

<b>Description</b>	<b>Part No.</b>	<b>Price</b>
NCi-3 interface	A-4179-1400	\$210
NC1 tool kit	A-2253-3500	\$40
NC1 air regulator kit	A-2253-5120	\$412
NC1 air filter service kit	P-F101-S002	\$136

### *NC1 12.5 m Cable Assemblies*

<b>Description</b>	<b>Part No.</b>	<b>Price</b>
Straight connector with conduit	A-2253-6105	\$210
Straight connector w/o conduit	A-2253-6107	\$150
90° connector with conduit	A-2253-6106	\$231
90° connector w/o conduit	A-2253-6108	\$171

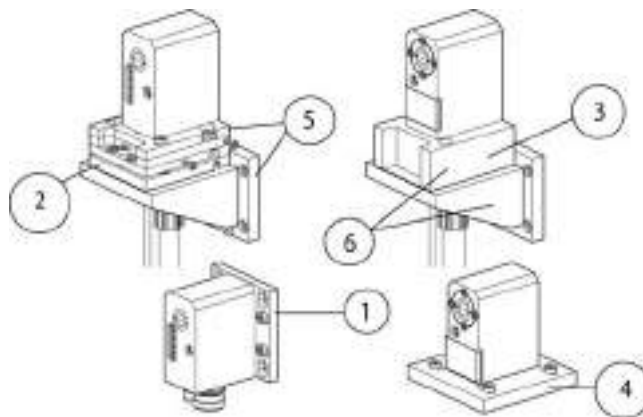
### *Steel Sheath Conduit*

<b>Description</b>	<b>Part No.</b>	<b>Price</b>
Ø15 mm OD x 1 m length (cable protection)	P-H001-0010	\$15
Steel sheath conduit Ø7 mm x 2 m length (air line protection)	M-2253-0207	\$25

## NC1 Mounting Hardware Options

<b>Description</b>	<b>Part No.</b>	<b>Price</b>
NC1 mounting plate vertical face (see 1 below)	A-2253-0188	\$50
NC1 stacker plate (see 2 below)	A-2253-0265	\$212
NC1 spacer plate (see 3 below)	A-2253-0270	\$95
NC1 mounting plate horizontal face (see 4 below)	A-2253-0924	\$50
NC1 stacker plate with 90° (see 5 below)	A-2253-7600	\$324
NC1 stacker spacer with 90° (see 6 below)	A-2253-7601	\$144
NC1 adjuster pack - fixed (not shown)	A-2253-7650	\$105
NC1 adjuster pack extended - fixed (not shown)	A-2253-0925	\$90
NC1 mounting plate horizontal face - special (not shown)	A-2253-0702	\$50
NC1 VMC mounting bracket for separate system (not shown)	A-2253-0542*	\$1,000

\*Requires 1 x A-2253-0265 and 1 x A-2253-0702



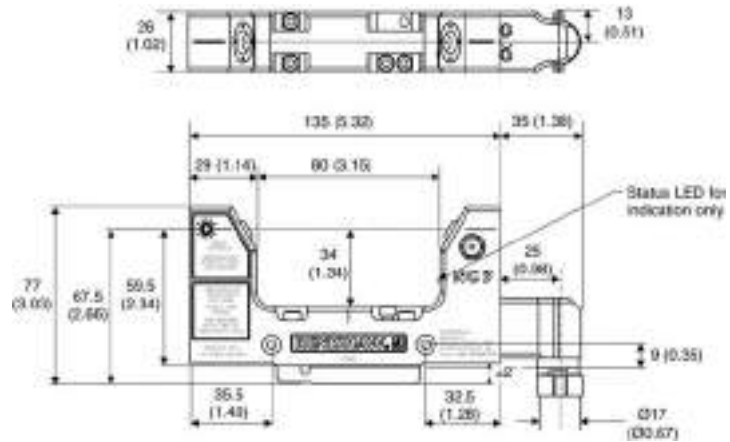


## NC3 Tool Setting Probe

The NC3 is a compact 2 axis non-contact tool setting system, with broken tool detection capability.

Tools as small as 0.2 mm diameter can be measured anywhere along the laser beam. Set-up is simpler than focused laser systems as there is no focal point to identify.

It is hardwired to the NCI-3 interface unit, which features a unique 'drip rejection mode'. This 'drip rejection' feature offers protection against unwanted trigger signals. Faster operation gives greater repeatability and more accurate results. The NC3 offers improved repeatability, reduction in air consumption and an improved rapid tool-breakage detection cycle.



Principle Application	High-precision, high-speed, non contact tool setting and tool breakage detection	
Transmission Type	Hardwired	
Repeatability of Trigger Points Max (2s)	±0.15 µm	±0.000006 in
Mounting	Single M16/M12 fixing. M4 mounting holes also provided	
Sealing	IPX8	
Compatible Interface	NCi-3	
Laser Type	Visible red laser <1mW 670 nm. Conforms to 21 CFR 1040. 10 laser safety standards	
Minimum Tool Diameter Measurement	0.2 mm	0.0079 in
Maximum Tool Diameter Measurement	80mm 101.6mm	3.15 in 4.0 in
Minimum Tool Diameter Tool Breakage Detection	0.05 mm	0.002 in
Outside Length / Beam Length	135/173 mm	5.31/6.81 in

## NC3 Fixed System Retrofit Kit

Includes:

- > NC3 fixed unit with 10 m integral cable
- > NCi-3 interface
- > Tool kit
- > Air regulator kit
- > Ø17 mm OD x 4 m conduit
- > Adjuster pack
- > Tool setting software
- > Installation and application support

<b>Description</b>	<b>Part No.</b>	<b>Price</b>
NC3 F135 Retrofit Kit	NC3-F135-S	\$6,810

## NC3 Fixed System Hardware Only Kit

Includes:

- > NC3 fixed unit with 10 m integral cable
- > NCi-3 interface
- > Tool kit
- > Air regulator kit
- > Ø17 mm OD x 4 m conduit
- > Adjuster pack

<b>Description</b>	<b>Part No.</b>	<b>Price</b>
NC3 F135 Hardware Only Kit	A-4179-1000	\$3,995

## NC3 Components

<b>Description</b>	<b>Part No.</b>	<b>Price</b>
NC3 F135	A-4179-1500	\$3,373
NCi-3 interface	A-4179-1400	\$210
NC3 air regulator kit	A-4179-1600	\$412
Steel sheath conduit 017 mm OD x 1 m length (cable protection)	P-HO01-0008	\$21
45° mounting bracket	A-4179-1501	\$90
NC3 air nozzle kit	A-4179-0450	\$75

## Machine Tool Probe Software

Renishaw probing and tool setting software is a set of macros that control probing motion and data manipulation for a number of routines with input of a few parameters. Some capabilities may vary by specific software package and individual controller. All software includes 3½ in discs and a user guide.

### *Inspection Plus Software for Machining Centers*

Available measurement cycles include:

- > X or Y or Z single surface measure
- > Any angle web/pocket
- > 3 or 4 point bore/boss
- > Internal/external corner
- > 4th or 5th axis measure
- > Feature to feature measure
- > Print data via RS232

<b>Description</b>	<b>Memory</b>	<b>Part No.</b>	<b>Price</b>
Fanuc 0-21	47K/117M	A-4012-0516	\$1,000
Haas	47K/117M	A-4012-0880	\$1,000
Mazatrol M32, M+, 640M	47K/117M	A-4013-0023	\$1,000
Meldas M	47K/117	A-4012-0516	\$1,000
Siemens 810D/840D	77K/190M	A-4014-0075	\$1,000
Yasnac I80, MX3, J50, J300	47K/117M	A-4014-0070	\$1,000

### *Inspection Plus Software for Machining Centers Using MP700*

Available measurement cycles include:

- > X or Y or Z single surface measure
- > XYZ vector measure
- > Any angle web/pocket
- > 3 or 4 point bore/boss
- > Internal/external corner
- > 4th or 5th axis measure
- > Feature to feature measure
- > Print data via RS232

<b>Description</b>	<b>Memory</b>	<b>Part No.</b>	<b>Price</b>
Fanuc 0-21	47K/117M	A-4012-0516	\$1,000
Fanuc 0-21	47K/117M	A-4012-0685	\$1,000
Haas	47K/117M	A-4012-0890	\$1,000
Mazatrol M32, M+, 640M	47K/117M	A-4013-0040	\$1,000
Meldas	47K/117M	A-4012-0685	\$1,000
Siemens 810D/840D	77K/190M	A-4014-0152	\$1,000
Yasnac I80, MX3, J50, J300	47K/117M	A-4014-0104	\$1,000

## *Tool Setting Software for Machining Centers*

Renishaw tool setting software allows you to set tool length and diameter offsets for single point and multiple point tools, perform in cycle broken tool detection and manual or automatic (programmed) positioning.

### Contact Toolsetting

<b>Description</b>	<b>Memory</b>	<b>Part No.</b>	<b>Price</b>
Fanuc 0-21	9K/23M	A-4012-0584	\$400
Haas	9K/23M	A-4012-0886	\$400
Mazak 640M, M32, M+	9K/23M	A-4013-0036	\$400
Meldas	9K/23M	A-4013-0007	\$400
Siemens 810/840D	9K/23M	A-4014-0090	\$400
Yasnac J50, J300, I80/MX3	9K/23M	A-4014-0018	\$400

### Non-Contact Toolsetting

<b>Description</b>	<b>Memory</b>	<b>Part No.</b>	<b>Price</b>
Fanuc 0-21	15K/38M	A-4012-0820	\$600
Haas	15K/38M	A-4012-0895	\$600
Mazak 640M, M32, M+	15K/38M	A-4013-0062	\$600
Meldas	15K/38M	A-4013-0050	\$600
Siemens 810D/840D(NC1)	19K/47M	A-4014-0157	\$600
Yasnac MX3, I80, J50, J300	15K/38M	A-4014-0020	\$600

## CNC Options for Probing

### Software Options

These special prices for options include installation and they only apply when combined with a complete probe package from GE Fanuc. In some cases on some control types these options may use part program memory.

<b>Description</b>	<b>Part No.</b>	<b>Price</b>
High-Speed Skip	44A729331-J848	\$550
Custom Macro	44A729331-J873	\$1,810
Additional Custom Macro Common Variables	44A729331-J887	\$550
125 Registered Part Programs	44A729331-J950	\$370
200 Registered Part Programs	44A729331-J951	\$550
200 Registered Part Programs Upgrade From 125	44A729331-J950/J951	\$180
6 Workpiece Offsets (G54-G59)	44A729331-J894	\$730
48 Workpiece Offsets (42 additional)	44A729331-J895	\$550
Coordinate System Rotation	44A729331-J893	\$550
64 Tool Offsets	44A729331-J925	\$370
99 Tool Offsets	44A729331-J926	\$550
99 Tool Offsets Upgrade From 64 Offsets	44A729331-J925/J926	\$180
200 Tool Offsets	44A729331-J927	\$730
200 Tool Offsets Upgrade From 64 Offsets	44A729331-J925/J927	\$360
200 Tool Offsets Upgrade From 99 Offsets	44A729331-J926/J927	\$180
Tool Offset Memory C	44A729331-J937	\$910

### High-Speed Skip Hardware Options

Probes require a high-speed skip input to work effectively. The hardware for high-speed skip is standard on 16i, 18i, 21i and 15B controls with a serial (FANUC) spindle. All other controls may require a hardware upgrade. These special prices include installation and only apply when combined with a complete probe package from GE Fanuc.

<b>Description</b>	<b>Part No.</b>	<b>Price</b>
Series 16/18 High-Speed Skip Card Without Rack I/O	44A729331-066	\$599
Series 16/18 4 Slot Rack	44A729331-067	\$799
Series 16/18 High-Speed Skip Card With Rack I/O	44A729331-068	\$1,700
Series 0 Analog Spindle Module (adds high speed skip)	44A729331-069	\$227
Series 15A Serial Port with High Speed Skip	44A729331-070	\$956
Series 15B Analog Spindle Module with High Speed Skip	44A729331-071	\$301
Series 21 (no high speed skip available)		NA

# ***GE Fanuc North America Conditions of Sale***

The sale of any services and products ordered by the Customer is expressly conditioned upon the terms and conditions contained or referred to herein. Any additional or different terms and conditions set forth in the Customer's purchase order or similar communication are objected to and will not be binding upon GE Fanuc Automation North America, Inc. (herein called GE Fanuc) unless specifically assented to in writing by GE Fanuc's authorized representative. Authorization by the Customer, whether written or oral, to furnish services and incidental products will constitute acceptance of these terms and conditions.

## 1. WARRANTY

1.1 GE Fanuc warrants to the Customer that GE Fanuc products and services sold will be free from defects in material, workmanship and title and will conform to any mutually agreed upon specifications. If any failure to meet this warranty (excluding any defects in title) appears within one (1) year from the date of shipment of the products or ninety (90) days from completion of the services, as applicable, GE Fanuc will correct any such failure by reperforming any defective portion of the services furnished, and, with respect to products, at its option, (i) by repairing any defective or damaged part or parts of the products, or (ii) by making available, F.O.B. Customer's plant or other point of shipment, any necessary repaired or replacement parts. If reperformance is not practicable, GE Fanuc will furnish without charge services in an amount essentially equal to those which, in GE Fanuc's sole judgment, would have been required for reperformance. The warranties and remedies set forth herein are conditioned upon: (i) proper storage, installation, use and maintenance, and conformance with any applicable recommendations of GE Fanuc; and (ii) Customer promptly notifying GE Fanuc of any defects and, if required, promptly making the product available for correction.

1.2 GE Fanuc warrants non-GE Fanuc manufactured products only to the extent that the manufacturer's warranty allows GE Fanuc to transfer such manufacturer's warranty to Customer. GE Fanuc will pass through to Customer any such warranties. Customer's sole remedy for breach of such warranty shall be the remedy offered by and available from the manufacturer, if any. GE Fanuc shall have no liability, whether in contract, tort, negligence, or otherwise, to Customer with respect to non-GE Fanuc manufactured products.

1.3 The preceding paragraphs set forth the exclusive remedy for all claims (except as to title) based on failure of, or defect in, products or services sold hereunder, whether the failure or defect arises before or during the warranty period, and whether a claim, however instituted, is based on contract, indemnity, warranty, tort (including negligence), strict liability or otherwise. Upon the expiration of the warranty period, all such liability shall terminate. The foregoing warranty is exclusive and is in lieu of all other warranties whether written, oral, implied or statutory. EXCEPT AS SET FORTH IN SECTION 2 BELOW OR IN ANY STATEMENT OF WARRANTY ACCOMPANYING GE FANUC PRODUCTS, THE FOREGOING WARRANTIES ARE EXCLUSIVE AND IN LIEU OF ALL OTHER WARRANTIES, WHETHER WRITTEN, ORAL, IMPLIED OR STATUTORY. NO IMPLIED WARRANTY OF MERCHANTABILITY OR FITNESS FOR PARTICULAR PURPOSE SHALL APPLY. GE FANUC DOES NOT WARRANT ANY PRODUCTS OR SERVICES OF OTHERS WHICH CUSTOMER HAS DESIGNATED.

## 2. PATENTS

2.1 GE Fanuc warrants that any GE Fanuc products sold hereunder, and any part thereof, shall be free of any rightful claim of any third party for infringement of any United States patent. If promptly notified in writing and given authority, information and assistance, GE Fanuc shall defend, or may settle, at its expense, any suit or proceeding against the Customer based on a claimed infringement which would result in a breach of this warranty, and GE Fanuc shall pay all damages and costs awarded therein against the Customer due to such breach. In case any products are in such suit held to constitute such an infringement and the use for the purpose intended of said products is enjoined, GE Fanuc shall, at its expense and option, either procure for the Customer the right to continue using said products, or replacing same with noninfringing products, or modify same so they become noninfringing, or remove the products and refund the purchase price (less reasonable depreciation for any period of use) and any transportation costs separately paid by the Customer. The foregoing states the entire liability of GE Fanuc for patent infringement.

2.2 The preceding paragraph shall not apply to any products specified by the Customer and not of GE Fanuc manufacture, or manufactured to the Customer's design, or to the use of any products furnished hereunder in conjunction with any other products in a combination not furnished by GE Fanuc as part of the transaction. As to any products, or use in such combination, GE Fanuc assumes no liability whatsoever for patent infringement and the Customer will hold GE Fanuc harmless against any infringement claim arising therefrom.

## 3. EXCUSABLE DELAYS

3.1 GE Fanuc shall not be liable for delay due to: (i) causes beyond its reasonable control, or (ii) acts of God, acts of the Customer, prerequisite work by others, acts of civil or military authority, government priorities, fires, strikes or other labor disturbances, floods, epidemics, war, riot, delays in transportation or car shortages, or (iii) inability to obtain or delay in obtaining, due to causes beyond its reasonable control, suitable labor, materials, or facilities. In the event of any such delay, the time of performance shall be extended for a period equal to the time lost by reason of the delay.

3.2 In the event GE Fanuc is delayed by acts of the Customer or by prerequisite work by other contractors or suppliers of the Customer, GE Fanuc shall be entitled to an equitable price adjustment in addition to extension of the time of performance

## 4. SALES AND SIMILAR TAXES

4.1 In addition to any price specified herein, the Customer shall pay, or reimburse GE Fanuc for, the gross amount of any present or future sales, use, excise, income, value-added or other similar tax applicable to the price, sale or furnishing of any services or products hereunder, or to their use by GE Fanuc or the Customer, or the Customer shall provide GE Fanuc with evidence of exemption acceptable to the taxing authorities.

## 5. PAYMENTS AND FINANCIAL CONDITION

5.1 Except to the extent otherwise specified by GE Fanuc in its quotation, pro rata payments shall become due without setoff as shipments are made. If GE Fanuc consents to delay shipments after completion of any product, payment shall become due on the date when GE Fanuc is prepared to make shipment. In the event of any such delay, title shall pass and products shall be held at Customer's risk and expense. Unless otherwise stated in writing, payment terms are net thirty (30) days. All payments shall be made without setoff for claims arising out of other sales by GE Fanuc.

# FANUC CNC Parts



5.2 If the financial condition of the Customer at any time does not, in the judgement of GE Fanuc, justify continued performance on the terms of payment previously agreed upon, GE Fanuc may require full or partial payment in advance or shall be entitled to terminate the contract and receive termination charges. In the event of bankruptcy or insolvency of the Customer or in the event any proceeding is brought against the Customer, voluntarily or involuntarily, under the bankruptcy or insolvency laws, GE Fanuc shall be entitled to terminate the agreement at any time during the period allowed for filing claims against the estate and shall be entitled to payment for its termination charges.

## 6. LIMITATIONS OF LIABILITY

6.1 GE FANUC'S LIABILITY ON ALL CLAIMS OF ANY KIND, WHETHER BASED ON CONTRACT, INDEMNITY, WARRANTY, TORT (INCLUDING NEGLIGENCE), STRICT LIABILITY OR OTHERWISE, FOR ALL LOSSES OR DAMAGES ARISING OUT OF, CONNECTED WITH, OR RESULTING FROM THIS AGREEMENT, OR THESE TERMS AND CONDITIONS, OR FROM THE PERFORMANCE OR BREACH THEREOF, OR FROM ANY PRODUCTS OR SERVICES COVERED BY OR FURNISHED UNDER THE CONTRACT OR ANY EXTENSION OR EXPANSION THEREOF (INCLUDING REMEDIAL WARRANTY EFFORTS), SHALL IN NO CASE EXCEED THE CONTRACT PRICE OF THIS AGREEMENT. EXCEPT AS TO TITLE TO ANY PRODUCTS FURNISHED, ALL SUCH LIABILITY SHALL TERMINATE UPON THE EXPIRATION OF THE WARRANTY PERIOD SPECIFIED IN SECTION 1 ABOVE.

6.2 IN NO EVENT, WHETHER BASED ON CONTRACT, INDEMNITY, WARRANTY, TORT (INCLUDING NEGLIGENCE), STRICT LIABILITY OR OTHERWISE, SHALL GE FANUC, ITS EMPLOYEES AND SUPPLIERS BE LIABLE FOR SPECIAL, INCIDENTAL, EXEMPLARY OR CONSEQUENTIAL DAMAGES INCLUDING, BUT NOT LIMITED TO, LOSS OF PROFITS OR REVENUE, LOSS OF USE OF ANY PROPERTY, COST OF CAPITAL, COST OF PURCHASED POWER, COST OF SUBSTITUTE EQUIPMENT, FACILITIES OR SERVICES, DOWNTIME COSTS, OR CLAIMS OF CUSTOMERS OF THE CUSTOMER FOR SUCH DAMAGES AND THE CUSTOMER WILL INDEMNIFY GE FANUC, ITS EMPLOYEES AND SUPPLIERS AGAINST ANY SUCH CLAIMS FROM THE CUSTOMER'S CUSTOMERS. IF THE PRODUCTS OR SERVICES BEING PROVIDED BY GE FANUC WILL BE FURNISHED BY THE CUSTOMER TO A THIRD PARTY BY CONTRACT OR RELATE TO A CONTRACT BETWEEN THE CUSTOMER AND A THIRD PARTY, THE CUSTOMER SHALL OBTAIN FROM SUCH THIRD PARTY A PROVISION AFFORDING GE FANUC AND ITS SUPPLIERS THE PROTECTION OF THIS AND THE PRECEDING PARAGRAPH 6.1.

6.3 The products to be licensed or sold hereunder are not intended for use in any nuclear, chemical or weapons production facility or activity, or other activity where failure of the products could lead directly to death, personal injury or severe physical or environmental damage. If so used, GE Fanuc disclaims all liability for any damages arising as a result of the hazardous nature of the business in question, including but not limited to nuclear, chemical or environmental damage, injury or contamination, and Customer shall indemnify, hold harmless and defend GE Fanuc, its officers, directors, employees and agents against all such liability, whether based on contract, warranty, tort (including negligence), or any other legal theory, regardless of whether GE Fanuc had knowledge of the possibility of such damages.

6.4 If GE Fanuc furnishes the Customer with advice or assistance concerning any products or systems which is not required pursuant to the agreement, the furnishing of such advice or assistance will not subject GE Fanuc to any liability, whether in contract, indemnity, warranty, tort (including negligence), strict liability or otherwise.



## 7. DELIVERY

7.1 Delivery of products will be made F.O.B. at the point of shipment to the Customer.

## 8. GENERAL

8.1 GE Fanuc reserves the right to subcontract any of the work to one or more subcontractors.

8.2 The delegation or assignment by Customer of any or all its duties or rights hereunder without GE Fanuc's prior written consent shall be void.

8.3 Any information, suggestions or ideas transmitted by the Customer to GE Fanuc, its agents, employees or subcontractors are not to be regarded as secret or submitted in confidence except as may be otherwise provided in a writing signed by a duly authorized representative of GE Fanuc.

8.4 GE Fanuc shall comply with all applicable state and federal laws, including but not limited to, the Fair Labor Standards Act of 1938, as amended, the Occupational Safety and Health Act of 1970 (OSHA), laws related to nonsegregated facilities and equal employment opportunity (including the seven paragraphs appearing in Sec. 202 of Executive Order 11246, as amended), and all standards, rules, regulations, and orders issued pursuant to such state and federal laws.

8.5 Software furnished shall be provided pursuant to GE Fanuc's applicable software license agreement, the terms and conditions of which shall take precedence over these Conditions of Sale with respect to the provision of such software.

## 9. EXPORT

9.1 Customer shall not export (or reexport), directly or indirectly, the products supplied hereunder or any portion thereof, without first obtaining GE Fanuc's written consent and any required license or approvals from the United States Government.

## 10. COMPLETE AGREEMENT

10.1 This Agreement, along with these terms and conditions and any other terms and conditions or documents referenced in said agreement, contains the complete agreement between the parties, and no modification, amendment, rescission, waiver or other change will be binding on GE Fanuc unless assented to in writing by GE Fanuc's authorized representative. Any oral or written representation, warranty, course of dealing or trade usage not contained or referenced herein will not be binding on GE Fanuc. The invalidity, in whole or part, of any of the foregoing sections or paragraphs of the contract will not affect the remainder of such article or paragraph or any article or paragraph of the contract.

10.2 This Agreement shall be governed by the laws of the State of Virginia, without regard to its conflict of law provisions. The provisions of the United Nations Convention on the International Sale of Goods shall not apply to this Agreement.

# FANUC CNC Parts



# ***CNC Warranty***

CNC Statement of Warranty and Service .....	B-3
Definition .....	B-3
Warranty .....	B-3
Service Policy.....	B-4
CNC Service Agreement .....	B-5
Services Provided.....	B-5
Optional Services Provided (see fee schedule) .....	B-5
Additional Terms and Conditions: .....	B-5
Warranty Registration Form .....	B-6

# FANUC CNC Parts



## CNC Statement of Warranty and Service

*This warranty applies to complete CNC systems purchased from GE Fanuc, and not individual services or parts.*

For a transaction involving GE Fanuc Computer Numerical Control products (or components thereof), the following warranty shall apply, in lieu of any other warranty referenced, in any other documents (such as Quotation Form GFJ-017), notwithstanding any statement in any such other documents that the warranty therein is exclusive and in lieu of all other warranties.

### **Definition**

A Computer Numerical Control product is a system package including hardware, software and firmware elements furnished by GE Fanuc Automation North America, Inc. ( "GE Fanuc" ) for use in automatically controlling the operation of machine tools. For purposes of this warranty, a system may include such GE Fanuc products as tape readers, feedback pickup units, servo drive components, and related systems and components.

### **Warranty**

GE Fanuc warrants that any product, to be delivered hereunder, will perform in accordance with the GE Fanuc product specification, in effect at the time the product is shipped from GE Fanuc. If it appears within the Warranty Period that the product delivered hereunder does not meet the warranty specified above, GE Fanuc shall correct any failure to meet such warranty, as its option, either by repairing, replacing, or modifying any item or items of equipment, hardware or software, or part or parts thereof, or by making a replacement or replacements, or additional equipment, or software corrections available F.O.B. GE Fanuc's plant. If GE Fanuc cannot reasonably correct the nonconformance, GE Fanuc shall make an equitable price adjustment with its Customer, based on the functions and performance actually provided.

The conditions of any tests shall be mutually agreed upon and GE Fanuc shall be notified of, and may be represented at, all tests that may be made. In no case does the warranty set forth herein apply to any failure or nonconformance with a specification caused by or attributable to any associated or complementary equipment not supplied under this contract, nor shall it in any case apply to the quantity or quality of the product of the Customer or the process of manufacture on which the product is used. The warranty and remedies set forth herein are conditioned upon proper storage, installation, use and maintenance, and conformance with any GE Fanuc product specification and, if required, promptly making the product available to GE Fanuc. GE Fanuc's obligation under this warranty shall terminate immediately upon any modification of the product by Customer unless made with the written approval of, and in accordance with, written instructions from GE Fanuc.

*The warranty period, in North America, shall run for twenty four (24) months from the date the product is shipped by GE Fanuc; Provided, however, that if customer, in the course of its regular and usual business, transfers the product (such as by sale, lease, sublicensing, or a combination thereof) to a third party and, within (30) days of such transfer, customer or its transferee notifies GE Fanuc of such transfer, of the operating status of the product at the time of such transfer, and of the date of startup of the product by the transferee, such period shall run until twenty four (24) months from the date of such startup or thirty (30) months from the date the product is shipped by GE Fanuc, whichever occurs first. For purposes of this warranty, "startup of the product by the transferee" shall mean the initial application of electrical power to the product, by or on behalf of such transferee. (When exporting GE Fanuc CNCs from North America, contact the factory for warranty period in destination country).*

*The liability of GE Fanuc arising out of the supplying of the product, or its use, whether in warranty, contract, tort*

*(including negligence), or otherwise shall not in any case exceed the purchase price of the product which gives rise to the claim, and upon the expiration of the warranty period, as set forth above, all such liability shall terminate.*

*In no event, whether as a result of breach of contract, warranty, tort (including negligence) or otherwise, shall GE Fanuc or its suppliers be liable for any special, consequential, incidental or penal changes including, but not limited to, loss of profit or revenue, loss of use of the product or any associated equipment, damage to associated equipment, cost of capital, cost of substitute products, facilities, services or replacement power, down time costs, or claims of customer's customers for such damages. If customer transfers title to or leases the products sold hereunder to any third party, customer shall obtain from such third party a provision affording GE Fanuc and its suppliers the protection of the preceding sentence.*

Unless otherwise agreed in writing by a duly authorized representative of GE Fanuc, products provided hereunder are not intended for use in connection with any nuclear facility or activity. If so used, GE Fanuc disclaims all liability for any nuclear damage, injury or contamination, and customer shall indemnify GE Fanuc against any such liability, whether as a result of breach of contract, warranty, tort (including negligence) or otherwise.

*The foregoing warranties are exclusive and in lieu of all other warranties, whether written, oral, implied or statutory. No implied or statutory warranty of merchantability or fitness for particular purpose shall apply.*

### ***Service Policy***

Start-up service, repair service and other field services are available at additional cost from GE Fanuc or its authorized representatives.

# FANUC CNC Parts



# CNC Service Agreement

CNC Serial No. \_\_\_\_\_ Date: \_\_\_\_\_

GE Fanuc Automation NA Inc. (Company) agrees to provide services for the Purchaser as described herein on the Computer Numerical Control (CNC) and the related equipment identified on page 2 (collectively the "Covered Equipment") in accordance with this agreement and the GE Fanuc Standard Conditions for Services.

Term of the Agreement \_\_\_\_\_ months from Start Date: \_\_\_\_\_

Price (US \$) \_\_\_\_\_ Purchaser P.O. No. \_\_\_\_\_

## Services Provided

1. Respond to authorized service calls at the covered equipment location set forth in this agreement to identify faulty operation and trace the failure or the malfunction to the origin of the problem.
2. Take corrective action. Company is not responsible if the source of the problem is not within the equipment covered by this agreement. Furnishing of replacement parts or components may be excluded if the equipment Parts Warranty has expired.
3. Technical advice and trouble-shooting counseling are available by phone.
4. GE Fanuc NA will provide test equipment, which deems necessary to perform services under this agreement.
5. Normal working hours are defined as 8:00 AM to 5:00 PM Monday through Friday excluding GE Fanuc Holidays, unless stated otherwise. Service provided at other hours is available under the fee schedule.
  - A. The services provided are conditioned on the following in addition to the "Computer Numerical Control Statement of Warranty and Service Policy" and the "GE Fanuc North America Conditions of Sale" described in the fee schedule (Publication GFJ-028):

All items of existing in-service equipment covered by this agreement must initially be in condition satisfactory to Company. Upon request, and for an inspection fee, Company will inspect such equipment to determine its condition and advise of any corrections necessary for coverage. Company shall have no obligation to service any equipment found to be in less than satisfactory condition until corrections are made.
  - B. The purchaser is responsible for meeting the following responsibilities:
    - a. Purchaser must provide a designated employee as an operator and maintenance contact.
    - b. Purchaser will supply expendable items such as printer paper, ribbon, and magnetic storage media.
    - c. Purchaser will maintain the environmental and supply power conditions on site in accordance with the equipment specifications.

## Optional Services Provided (see fee schedule)

1. Start up of Computer Numerical Control (perform visual inspection, systematically energize the equipment specified, adjust servo drives if required, verify manual and automatic mode of operation and provide informal instruction on the operation of the CNC). Number of days purchased: \_\_\_\_\_.
2. Parts Warranty Extension - applies to GE Fanuc equipment still under warranty. See fee schedule.

GE Fanuc shipping date \_\_\_\_\_ Warranty Extension purchased: \_\_\_\_\_ months.

## Additional Terms and Conditions:

---

---

---

# Warranty Registration Form

## WARRANTY REGISTRATION and USER INSTALLATION NOTICE

CNC WARRANTY  
B-6

<b>OEM</b>	<b>Machine Model Number</b>	<b>OEM Machine S/N</b>	<b>GE Fanuc S/N</b>	<b>Fanuc Ltd S/N</b>
Start Date:	Month:    Day:	Year:	New Installation <input type="checkbox"/>	In Service <input type="checkbox"/>
<b>Customer Information (Installation Site)</b>	Company Name			
	Street Address			
	City, State		ZIP Code:	
	Name of Contact		Country:	Machine Tag No. (If applicable)
	Phone numbers			
	Telex/Fax			
<b>Control Information</b>	Model Series		Special Features:	
	Main Software		Series:	Edition:
	<b>PRINTED CIRCUIT BOARDS</b>		<b>DRIVES</b>	
	A		A06B-	
	A		A06B-	
	A		A06B-	
	A		A06B-	
	A		A06B-	
	A		A06B-	
	A		A06B-	
	A		A06B-	
<b>Power Supply Modules</b>	A		A	
	A		A	
<b>Machine Information</b>	Manufacturer			
	Street Address			
	City, State		ZIP Code:	
	Machine Model		Country:	
	Type of Machine		Machining center Lathe	Grinder Mill
			Punch press Other	
	Serial Number			
	Phone numbers			
Name of Contact				
<b>Related Equipment or Components Covered</b> (Purchaser to select. Fees provided upon request):  <input type="checkbox"/> Interface Electronics / Magnetics <input type="checkbox"/> Interface Wiring and Devices <input type="checkbox"/> Axis Servos (if not GE Fanuc Brand) <input type="checkbox"/> Spindle Drive (if not GE Fanuc Brand)			<b>Instructions:</b> 1. If purchasing a Service Contract, complete and return this agreement 2. To report a foreign shipment only, complete and return above "User Installation Notice".	

### ACCEPTANCE OF AGREEMENT:

By: _____ GE Fanuc Automation NA, Inc.	Purchaser Company: _____
Title: _____	By: _____
Date: _____	Title: _____
	Date: _____

Send To: GE Fanuc Automation NA., Inc.  
 CNC Services – Warranty and Contracts  
 PO. Box 8106  
 Charlottesville, VA 22906

**Phone: 1 (800) GEFANUC**  
**Fax: 1 (434) 978-5516**

# FANUC CNC Parts



# Forms

Warranty Request Form .....	C-3
Commercial Credit Application .....	C-4
Probe Retrofit Questionnaire .....	C-5
iAdapt Retrofit Questionnaire .....	C-7



# FANUC CNC Parts



# Warranty Request Form

Warranty Request Fax Form

Toll Free: 1-800-GEFANUC

FAX: 1-434-978-5673

PO #:		Date:	
Requester			
Name		Machine Down: Ship Immediately <input type="checkbox"/>  Fax RMA only: (Repair and Return) <input type="checkbox"/>	
Company			
Phone			
Billing Address		Shipping Address	
Name			
Company			
Street			
State/Prov			
Zip/Country			
Phone			
Fax			
Email			

CNC Serial No.		Check here to receive Repair Report <input type="checkbox"/>	
Symptom of Problem (include alarm or error)			
Qty	Part Number	Description	
GE Fanuc Reply:			

FORMS  
C-3

# Commercial Credit Application



## CNC USER COMMERCIAL CREDIT APPLICATION

Please Complete all Applicable Fields \* Indicates a Required Field

*Company Name		Parent Company (If Applicable) Division of _____ Subsidiary of _____			
*Purchasing Contact	*Phone ( )	*Fax ( )	Email Address		
*Billing Contact	*Phone ( )	*Fax ( )	Email Address		
*Billing Address	*City	*State	*ZIP Code	*Phone ( )	*Fax ( )
*Shipping Address	*City	*State	*Zip Code	*Phone ( )	*Fax ( )
*Duns #	*Credit Line Requested? \$ _____		*Anticipated Monthly Purchases? \$ _____		
*Will you have purchases that are tax exempt? Y N If yes, tax exemption certificate must be returned with application.		Preferred Carrier _____ Carrier Contract Number (if applicable) _____			

COMMERCIAL TRADE REFERENCES - List 3 or more verifiable references (must be at least \$1,000 each) – attach standard references form if available

*Name	*City	*State	*Phone ( )	*Account #
*Name	*City	*State	*Phone ( )	*Account #
*Name	*City	*State	*Phone ( )	*Account #
Name	City	State	Phone ( )	Account #

### BANK REFERENCE

*Name	*City	*State	*Phone ( )	*Account #
<i>GE Fanuc Standard Conditions of Sale on the reverse side hereof shall be applicable to all sales irrespective of receipt of contrary or additional terms, unless GE Fanuc expressly agrees otherwise in writing and said writing is signed by an authorized GE Fanuc representative. The Terms and Conditions on the reverse side hereof must be signed.</i>				

X  
**Authorized Signature** \_\_\_\_\_ **Please Print Name and Title** \_\_\_\_\_ **Date** \_\_\_\_\_

Signature authorizes GEF to check the Applicant's and any Guarantor(s)' credit and for references on this application to release credit information.

# Probe Retrofit Questionnaire

INSTALLATION LOCATION CONTACT INFORMATION				
Company Name:			Contact Name:	
Street Address:			Contact Phone #:	Contact Fax #:
City:	State:	Zip:	Contact Email Address:	
Safety Briefing Required to Enter Facility: <input type="checkbox"/> Yes <input type="checkbox"/> No		If non-disclosure agreement required to enter facility, please provide 2-weeks prior to installation		
PURCHASE ORDER CONTACT INFORMATION				
Company Name:		Contact Name:		Contact Phone #:
PRODUCTS BEING PURCHASED				
Spindle Probe: <input type="checkbox"/> MP700 <input type="checkbox"/> OMP40 <input type="checkbox"/> MP10 <input type="checkbox"/> RM60 <input type="checkbox"/> LP2/LT02T <input type="checkbox"/> Other				Shank Type:
Tool Probe: <input type="checkbox"/> NC1-F <input type="checkbox"/> NC-4 <input type="checkbox"/> TS27R <input type="checkbox"/> HPRA <input type="checkbox"/> Other		Add M-Codes: <input type="checkbox"/> Yes <input type="checkbox"/> No	Add Switching Relay: <input type="checkbox"/> Yes <input type="checkbox"/> No	
Probe Software: <input type="checkbox"/> Inspection Plus <input type="checkbox"/> Tool Setting <input type="checkbox"/> NC1 Tool Setting <input type="checkbox"/> MTB <input type="checkbox"/> Customized				
Notes (explain other or any custom products or services):  				
MACHINE AND CONTROL INFORMATION				
Machine Make:	Model:	Machine Serial #:	In Warranty: <input type="checkbox"/> Yes <input type="checkbox"/> No	
Machine Type: <input type="checkbox"/> VMC <input type="checkbox"/> HMC <input type="checkbox"/> Lathe <input type="checkbox"/> Gantry <input type="checkbox"/> Other _____			Pallets: <input type="checkbox"/> Yes <input type="checkbox"/> No	
X Axis Travel:	Y Axis Travel:	Z Axis Travel:	B Axis Travel:	Other Axis Travel:
Spindle Orient: <input type="checkbox"/> Yes <input type="checkbox"/> No	Machine Installed: <input type="checkbox"/> Yes <input type="checkbox"/> No	Machine Installation Date:	Control Type & Model:	Control Serial #:
Probe Already On Machine (If Yes, Explain) <input type="checkbox"/> Yes <input type="checkbox"/> No				
OPTIONS ALREADY INSTALLED ON CONTROL				
Memory for Macros: <input type="checkbox"/> Yes <input type="checkbox"/> No	G31 Skip: <input type="checkbox"/> Yes <input type="checkbox"/> No	G31 High-Speed Skip: <input type="checkbox"/> Yes <input type="checkbox"/> No	G31 Multi-Skip: <input type="checkbox"/> Yes <input type="checkbox"/> No	Spare M-Codes: <input type="checkbox"/> Yes <input type="checkbox"/> No
Custom Macro B: <input type="checkbox"/> Yes <input type="checkbox"/> No	Using Variables #100-#149 or #500-#565: <input type="checkbox"/> Yes <input type="checkbox"/> No	Using Programs 9002-9110 or 9700-9900 <input type="checkbox"/> Yes <input type="checkbox"/> No	24VDC for Probe: <input type="checkbox"/> Yes <input type="checkbox"/> No	
CONFIRMATION				
I have read and understood the information above and the notes attached.		Signature:		Date:

FORMS

C-5

Installation Details:

MP9

- > Turn on Method - Spin probe at 500 rpm for a minimum of 1 second and a maximum of 4 seconds
- > Turn off Method - A timer automatically switches off power 3 minutes (±1 minute) after turn on or last probe trigger.

MP10, MP12, OMP40

- > Turn on Method - M-code is recommended to turn on probe. Alternatively, auto start can be used if the probe is stored outside of the machine enclosure when not in use. Auto start sends an optical start signal every second until probe signal is received.
- > Turn off Method - M-code is recommended to turn off the probe. Alternatively, a timer automatically switch's power off 33 or 134 seconds (selectable) after turn on or last probe trigger.

MP700

- > Turn on Method - M-code is required to turn on probe. Auto Start cannot be used with the MP-700 probe.
- > Turn off Method - M-code is recommended to turn off the probe. Alternatively, a timer automatically switch's power off 33 or 134 seconds (selectable) after turn on or last probe trigger.

LP2/LT02T, LP2/LT03T, LP2/LT02S

- > Turn on Method - M code is required to turn on probe.
- > Turn off Method - An additional M-code is required to turn off probe.

TS27R

- > Probe is fixed either to a T-slot in the machine bed, or mounted on a riser to allow tools to reach stylus.
- > A riser is not provided by GE Fanuc unless specified on quotation.
- > The TS27R is wired to the probe interface via a tough cable conduit.
- > The TS27R cannot be mounted on pallets or rotary tables.

NC1-F

- > Probe is fixed either to a T slot in the machine bed, or can be mounted on a riser if required to allow tools to reach the laser beam.
- > A riser is not provided by GE Fanuc unless specified on quotation.
- > The NC1 is wired to the probe interface via a tough cable conduit.
- > The NC1 cannot be mounted on pallets or rotary tables.
- > The NC1 must be mounted so that the tool can access the laser beam and move in all three axis (X,Y,Z) with respect to the beam.
- > For basic functionality (length, diameter, basic broken tool) no M code is required. For additional features (missing/broken insert, profile checking, rapid broken tool check) an M code pair is required.

NC1-S

- > The probe transmitter and receiver are mounted to brackets which attach to the machine.
- > Brackets and their installation are not provided by GE Fanuc unless specifically stated in the quotation.
- > Brackets not provided by GE Fanuc must be mounted prior to the arrival of a GE Fanuc engineer.
- > The brackets should allow for complete machine motion (pallet shuttles, rotary tables, axis travels, etc.), laser beam alignment and expected system performance.
- > The NC1 must be mounted so that the tool can access the laser beam and move in all three axis (X,Y,Z) with respect to the beam.
- > For basic functionality (length, diameter, basic broken tool) no M code is required. For additional features (missing/broken insert, profile checking, rapid broken tool check) an M code pair is required.

HPRA

- > Must be mounted to a bracket, which attaches to the machine.
- > Brackets and their installation are not provided by GE Fanuc unless specifically stated in the quotation.
- > Brackets not provided by GE Fanuc must be mounted prior to the arrival of a GE Fanuc engineer.
- > The brackets should allow for complete machine and expected system performance.

Dual Probe Installations (Part and Tool probe on same machine)

- > Requires either two independent probe inputs or an M-code driven relay (Example: M51 - Part Probe Selected, M61 - Tool Setter Selected). The M-code driven relay must be installed prior to the probe installation or an installation charge must be quoted and included on the purchase order.

Probing Cycles

- > Probe cycle part program numbers range from 9002 through 9110, and 9700 through 9900
- > Macro variables #100-#149 required while macro is running
- > Macro variables #500-#565 required and some must be dedicated
- > If probe cycle part program numbers or macro variables are already being used, customization charge is required and must be quoted and included on the purchase order.
- > GE Fanuc can not provide training on the use of third party or MTB probe macros.
- > Any customization of the standard probe cycles requires an additional charge and work must be quoted and included on the PO.

Software Part Program Memory Requirements:

	K bytes	Meters
Inspection Plus Machining Center	47K	117m
Tool Setting Machining Center	9K	23m
NC1 Tool Setting Machining Center	15K	38m
Inspection Lathe	11K	28m
Tool Setting Lathe	6K	15m

Training

- > Training will be provided during installation on the use and application of probing cycles provided. Training will not include the incorporation of probe cycles into the customer's manufacturing programs.
- > Any special applications or additional software training, which requires additional time or visits to the original scheduled installation/training will be charged at standard Service Rates.
- > Indicate any additional training requirements on the purchase order.

Important

This questionnaire is intended for informational purposes for installation only and shall in no event constitute a binding contract with GE Fanuc.

- > MACHINE MUST BE FULLY OPERATIONAL AND CAPABLE OF CUTTING A PRODUCTION PART AT THE TIME OF INSTALLATION.
- > A pull stud is required for spindle mounted probes, but not provided by GE Fanuc.
- > Calibration device not supplied.

Issuer of Purchase Order is responsible for all information provided to GE Fanuc. Please make sure that the information is as accurate and current as possible, this will expedite the installation. If additional time or hardware is required, due to incorrect information, additional costs may be billed to you.

The installation time frame is 4 to 6 weeks. Installations are not considered for scheduling until this form is completed and returned to GE Fanuc. At that time, the form will be reviewed and you will be contacted to determine mutually acceptable installation dates.



# iAdapt Retrofit Questionnaire

INSTALLATION LOCATION CONTACT INFORMATION				
Company Name:			Contact Name:	
Street Address:			Contact Phone #:	Contact Fax #:
City:	State:	Zip:	Contact Email Address:	
Safety Briefing Required to Enter Facility: <input type="checkbox"/> <b>Yes</b> <input type="checkbox"/> <b>No</b>		If non-disclosure agreement required to enter facility, please provide 2-weeks prior to installation		
PURCHASE ORDER CONTACT INFORMATION				
Company Name:		Contact Name:		Contact Phone #:
PRODUCTS BEING PURCHASED				
Package: <input type="checkbox"/> <b>Standard i Adapt</b> <input type="checkbox"/> <b>HPCC Servo Tuning</b>				
Notes (explain other or any custom products or services):				
MACHINE AND CONTROL INFORMATION				
Machine Make:	Machine Model #: (note 1)	Machine Serial #:	Type of Operator Panel:	Type of MFO Connector:
Control Model: (note 2)	Control Serial #:	Space Available?: (note 3) <input type="checkbox"/> <b>Yes</b> <input type="checkbox"/> <b>No</b>	Spindle Drive Brand & Model:	Spindle Connector:
OPTIONS ALREADY INSTALLED ON CONTROL				
Custom Macro B: <input type="checkbox"/> <b>Yes</b> <input type="checkbox"/> <b>No</b>	Is O9010 Already Used?: (note 4) <input type="checkbox"/> <b>Yes</b> <input type="checkbox"/> <b>No</b>	Is 3K memory available for Macros?: (note 4) <input type="checkbox"/> <b>Yes</b> <input type="checkbox"/> <b>No</b>		
CONFIRMATION				
I have read and understood the information above and the notes attached.		Signature:		Date:

## Application Notes:

1. i Adapt is designed to improve the performance of roughing cuts on machining centers and milling machines. The process needs to use 10% net spindle load. For example if the spindle load is 5% when idle (not in cut) it would need to be 15% in cut for i Adapt to be productive.
2. i Adapt is compatible with GE Fanuc and FANUC controls that support Custom Macro B. That includes most controls manufactured in the last 15 years including:

## Compatible Controls:

11A, 12A

15i-MA, 15i-MB, 15-MB, 15-MA

S16i-MB, S16i-MA, S16-MC, S16-MB, S16-MA

S18i-MB, S18i-MA, S18-MC, S18-MB, S18-MA

S21i-MB, S21i-MA, S21-MB

S0i-MB, S0i-MA, S0-MC

3. The i Adapt module must be mounted in an electrical cabinet. Check i Adapt outline drawing - when mounting, the minimum clearances around the i Adapt module to the insides of the box must be maintained to allow air circulation and heat dissipation through the skin of the box.
4. The Macro (O9010) that will be loaded to the CNC Part Program storage area requires 3K of spare Program Storage space. Go to the Program Directory display page and ensure that there is at least 3K of space for the macro. If not, a part program memory upgrade will be required.

## Installation Notes:

1. i Adapt requires 24VDC @ 1.25 amps max consumption.
2. i Adapt requires mounting a  $\frac{3}{8}$ " square luminated push button. Space is required around the operator panel.
3. Installation of i Adapt requires the use of a serial port. The package includes the activation of the second serial port.
4. Test cutting is required as part of the installation and tuning. Material, tooling and a skilled operator must be available during the installation.

## Training Notes:

- > Basic training will be provided by GE Fanuc after installation and testing on the use and application of iAdapt. This training will include the following:
  - > Basics how i Adapt functions
  - > How to turn i Adapt on and off
  - > Review part program examples
  - > Troubleshooting i Adapt alarms
  - > What causes i Adapt to set feed to 0%
  - > Review i Adapt customer documentation
  - > Any special applications or additional software training, which requires additional time or visits to the original scheduled installation/training will be charged at standard Service Rates.
  - > Indicate any additional training requirements on the purchase order.

## Important

Purchase orders for i Adapt are not valid until this questionnaire has been evaluated by the GE Fanuc, prior to scheduling the installation. This questionnaire is intended for informational purposes for installation only and shall in no event constitute a binding contract with GE Fanuc.

**MACHINE MUST BE FULLY OPERATIONAL AND CAPABLE OF CUTTING A PRODUCTION PART AT THE TIME OF INSTALLATION.**

Issuer of Purchase Order is responsible for all information provided to GE Fanuc. Please make sure that the information is as accurate and current as possible, this will expedite the installation. If additional time or hardware is required, due to incorrect information, additional costs may be billed to you.

The installation time frame is 2 to 4 weeks after receipt of a complete order, including this form. Please keep in mind that your installation is not considered for scheduling until this form is completed. At that time, the form will be reviewed and you will be contacted to determine mutually acceptable installation dates.

# FANUC CNC Parts



# *Renewal Parts Pricing*



# A02B-0003-K001

Part Number	Description	Price	Part Number	Description	Price
A02B-0003-K001	OVERRIDE ROTARY SWITCH	\$103	A02B-0072-C069	PUNCH PANEL (5M) FOR MACHINE	\$228
A02B-0008-K853	CABLE	\$83	A02B-0072-C201	RAM/ROM BOARD	\$9,529
A02B-0008-K854	CABLE SPINDLE POWER	\$232	A02B-0072-C201#4005	RAM CARD E	\$9,621
A02B-0029-K102	BATTERY UNIT	\$184	A02B-0072-C204	ABS ENCODER RELAY ADAPTER	\$228
A02B-0029-K103	BATTERY UNIT	\$87	A02B-0072-H121	INPUT UNIT A1	\$305
A02B-0029-K801	CBL SOC DI/DO 50 COND 7M ST	\$191	A02B-0072-H123	INPUT UNIT A1	\$305
A02B-0029-K802	CBL SOC DI/DO 20 COND 7M ST	\$114	A02B-0072-H125	INPUT UNIT C	\$685
A02B-0029-K803	CABLE(DC M-VCU)	\$228	A02B-0072-H131	INPUT UNIT B	\$533
A02B-0029-K804	CABLE(DC M-VCU)	\$228	A02B-0072-H135	INPUT UNIT (10 KVA)	\$1,107
A02B-0029-K890	CONNECTER(MR20PFE	\$11	A02B-0072-H262	REGENERATOR INSTALL	\$49
A02B-0029-K891	CONNECTER(MR50PFE	\$17	A02B-0072-J048	ADDL PART PROG STORAGE,Sub CPU	\$763
A02B-0029-K892	CONN HONDA MR 20 PIN FEM CRIMP	\$13	A02B-0072-J063	ADDL PART PROG STORAGE (=80M)	\$607
A02B-0029-K893	CONN 50 PIN FEMALE CRIMP	\$30	A02B-0072-J098	PUNCH PANEL	\$228
A02B-0029-K898	CONNECTER(MR20PMA	\$14	A02B-0072-J153	BLANK PLATE C	\$1
A02B-0029-K899	CONNECTOR HONDA 5	\$17	A02B-0072-K032	BATTERY	\$7
A02B-0029-K900	CONN HONDA MR 20PIN MALE CRIMP	\$13	A02B-0072-K101	FUSE(CONTROL)	\$19
A02B-0029-K901	CONN HONDA MR 50PIN MALE CRIMP	\$20	A02B-0072-K102	FUSE (I/O CARD A1-A3)	\$4
A02B-0035-K890	CONNECTOR 50 PMS	\$17	A02B-0072-K103	FUSE (CONNECTION UNIT 1)	\$4
A02B-0035-K891	CONNECTOR 50 PMC	\$24	A02B-0072-K104	FUSE (PC RAM CARD)	\$4
A02B-0035-K892	CONNECTOR 50 PFS	\$18	A02B-0072-K105	FUSE (MDI&CRT)	\$21
A02B-0035-K893	CONNECTOR 50 PFL	\$20	A02B-0072-K106	ACCESSORY	\$38
A02B-0036-C051	HARDWARE EXTENSION UNIT	\$879	A02B-0072-K107	INPUT UNIT(FUSE)	\$18
A02B-0041-C028	PRE-AMPLIFIER	\$610	A02B-0072-K108	FUSE	\$47
A02B-0047-C052	PUNCH PANEL WITH 2M CABLE	\$311	A02B-0072-K301	CABLE CLAMPS	\$2
A02B-0047-C061	TRDR W/O RL EXT	\$1,220	A02B-0072-K302	BATTERY	\$10
A02B-0047-C062	TAPE READER W/O REEL EXT	\$1,220	A02B-0072-K303	SPARE PARTS(TR)	\$32
A02B-0047-C900	FAN UNIT	\$215	A02B-0072-K305	CABLE CLAMPS	\$92
A02B-0047-C901	FAN UNIT	\$362	A02B-0072-K801	OPTICAL CABLE (5 METERS)	\$143
A02B-0047-C902	FAN UNIT	\$326	A02B-0072-K802	OPTICAL CABLE (10 METERS)	\$191
A02B-0047-C904	FAN UNIT NO. 2	\$307	A02B-0072-K804	OPTICAL CABLE (L-20M)	\$316
A02B-0047-C907	HEAT EXCH IN FAN	\$316	A02B-0072-K805	OPT. CABLE (L-30M)	\$380
A02B-0047-C908	FAN UNIT	\$501	A02B-0072-K807	OPT. CABLE (L-50M)	\$633
A02B-0047-C909	FAN UNIT	\$480	A02B-0072-K808	OPT. CABLE (L-60M)	\$738
A02B-0047-C910	FAN UNIT	\$360	A02B-0072-K809	OPT. CABLE (L-80M)	\$952
A02B-0047-C913	FAN UNIT	\$480	A02B-0072-K810	CABLE (VCMD)	\$133
A02B-0047-C914	FAN UNIT	\$423	A02B-0072-K810-K1	CABLE (VCMD)	\$127
A02B-0047-C928	FAN UNIT	\$257	A02B-0072-K812	CABLE (MPGX3)	\$133
A02B-0047-J193	INPUT FUSE C	\$13	A02B-0072-K814	CBL SOC MONO CRT +24V 7M	\$38
A02B-0047-J194	INPUT FUSE G	\$48	A02B-0072-K815	CBL SOC COLOR CRT 200VAC 7M	\$29
A02B-0047-J197	INPUT FUSE F	\$38	A02B-0072-K816	CABLE(I/O UNIT,POW)	\$38
A02B-0047-K111	FUSE (INPUT A)	\$13	A02B-0072-K817	CBL SOC I/O +24V 7M	\$29
A02B-0047-K113	FUSE (INPUT C)	\$13	A02B-0072-K819	CABLE 150MM POWER CONN UNIT 2	\$38
A02B-0047-K114	FUSE(INPUT G)	\$48	A02B-0072-K820	CABLE(I/O UNIT/ALARM)	\$19
A02B-0047-K116	FUSE (INPUT E)	\$38	A02B-0072-K821	CABLE(OP-CONN/SGNL)	\$48
A02B-0047-K117	FUSE(INPUT F)	\$38	A02B-0072-K822	CABLE(OP-CONN/POW)	\$38
A02B-0047-K841	CABLE	\$125	A02B-0072-K823	CBL SOC 200VAC CNTRL PWR 7M	\$29
A02B-0048-C781	JUNCTION BOX	\$2,459	A02B-0072-K824	CABLE FOR 24 VDC	\$27
A02B-0048-H101	SERVO INTERFACE (3 AXIS)	\$469	A02B-0072-K829	CABLE(VC-ABS ADPT)	\$186
A02B-0048-J231	JUNCTION BOX	\$1,949	A02B-0072-K830	CABLE (CU-VC,ABS)	\$81
A02B-0050-C540	OPERATOR'S PANEL	\$3,484	A02B-0072-K841	OPT CABLE (1.5M)	\$122
A02B-0050-C541	OPERATOR'S PANEL	\$3,939	A02B-0072-K842	OPT CABLE (3M)	\$137
A02B-0050-K211	CONNECT/25,RS232	\$57	A02B-0072-K850	OPT CABLE (L-90M)	\$1,161
A02B-0050-K801	CABLE INCR P/C	\$210	A02B-0072-K851	OPT CABLE (L-100M)	\$1,343
A02B-0050-K802	CBL SOC MPG X1 7M ST	\$133	A02B-0072-K852	OPT CABLE (L-110M)	\$1,266
A02B-0050-K803	CBL SOC MDI SIGNAL 10M ST	\$230	A02B-0072-K853	OPT CABLE (L-120M)	\$1,371
A02B-0050-K804	CABLE	\$186	A02B-0072-K854	OPT CABLE (L-130M)	\$1,478
A02B-0050-K821	CABLE PWR MATE E	\$143	A02B-0072-K891	CONN BURNDY 6 PIN BLK SQUARE	\$11
A02B-0051-C540	OPERATOR'S PANEL	\$4,258	A02B-0072-K892	CONN BURNDY 3 PIN BLACK	\$7
A02B-0051-C541	OPERATOR'S PANEL	\$3,848	A02B-0072-K893	CONN BURNDY 3PIN BROWN	\$7
A02B-0051-H082	CABLE	\$232	A02B-0072-K896	CONN BURNDY 3 PIN WHT GOLD PLT	\$6
A02B-0053-C100	OPERATORS PANEL	\$1,302	A02B-0072-K898	OPT. CABLE ADAPTER	\$33
A02B-0053-H021	BATTERY UNIT (SEPARATE)	\$148	A02B-0072-K899	CONNCTOR(B-6P)	\$9
A02B-0053-K101	CONTROL FUSE	\$24	A02B-0072-K900	CBL FDBK A/B ABS STR-MR20 10M	\$297
A02B-0053-K202	CONNECTOR(D-SUB)25 PIN	\$34	A02B-0072-K901	CBL FDBK A/B ABS ELB-MR20 10M	\$296
A02B-0053-K303	COOLING FIN A	\$287	A02B-0072-K902	CABLE BTRY / ABS RELAY ADAPTER	\$44
A02B-0053-K304	COOLING FIN B	\$287	A02B-0073-H121	INPUT UNIT	\$355
A02B-0053-K305	COOLING FIN C	\$323	A02B-0073-J145	DOOR INTERLOCK	\$76
A02B-0055-C021	INPUT UNIT B	\$2,846	A02B-0074-C021	CRT/MDI(HOR./ANIMA.)	\$8,386
A02B-0055-J031	RMT POS-DISP/B5	\$12,728	A02B-0074-C053	CRT/MDI(HOR.)	\$7,623
A02B-0055-K890	CN(HIROSE/7P/M)	\$23	A02B-0074-C054	CRT/MDI(VER.)	\$7,623
A02B-0055-K891	CN(HIROSE/8P/M)	\$37	A02B-0074-H095	CRT/MDI(INT.)	\$7,623
A02B-0060-J051	CABLE SET	\$2,596	A02B-0074-H122	INPUT UNIT G	\$533
A02B-0060-J269	HOPPER FOR T.R.	\$37	A02B-0074-H125-K1	CABLE KIT	\$28
A02B-0060-J294	DISCHARGE ASSEMBLY	\$68	A02B-0074-J047	EXT. DETECT. ADAPTER	\$423
A02B-0060-K401	RADIATION FIN CRT/MDI 5W/C	\$667	A02B-0074-K112	RUBBER SHEET FOR MDI	\$79
A02B-0061-K201	CONN 25PIN DSUB - RS232C	\$54	A02B-0074-K212	MMC CONNECTION	\$104
A02B-0061-K202	RECEPTACLE	\$18	A02B-0074-K801	CBL VCU CMD IF-A MR20-MR20 5M	\$157
A02B-0061-K203	CONN BURNDY 6PIN BROWN	\$12	A02B-0074-K802	CBL FDBK INC STR-MR20 14M	\$380
A02B-0061-K803	CABLE (J20)	\$108	A02B-0074-K803	CBL FDBK INC ELB-MR20 14M	\$380
A02B-0072-C014	BATTERY UNIT	\$157	A02B-0074-K804	FDBK CABLE ABS ENCODER - CNC	\$153
A02B-0072-C061	PUNCH PANEL (1M) FOR MACHINE	\$228	A02B-0074-K805	CBL SOC CRT VIDEO 7M ST	\$186
A02B-0072-C062	PUNCH PANEL (2M) FOR MACHINE	\$228	A02B-0074-K806	CABLE(CRT/MDI)	\$164
A02B-0072-C065	PUNCH PANEL UNIT	\$230	A02B-0074-K807	CBL FDBK HIRES IN STR-MR20 14M	\$428
A02B-0072-C066	PUNCH PANEL	\$230	A02B-0074-K808	FDBK CBL HI RES INC ELB OC	\$423

RENEWAL PARTS  
PRICING

D-2



FANUC CNC Parts

Part Number	Description	Price	Part Number	Description	Price
A02B-0075-C001	BACKPLANE	\$2,065	A02B-0078-J222	DISCHARGE ASS'Y(2)	\$89
A02B-0075-C002	ADD CONTROL UNIT	\$1,860	A02B-0078-J225	DISCHARGE ASSEMBLY	\$42
A02B-0075-C003	PUNCH PANEL	\$635	A02B-0078-J225-K1	CABLE	\$26
A02B-0075-C005	FAN	\$483	A02B-0078-J226	DISCHARGE ASSEMBLY	\$42
A02B-0075-C013	PC BOARD	\$3,210	A02B-0078-K011	ACCESSORY	\$72
A02B-0075-C014	BACK PANEL	\$2,505	A02B-0080-C022	FAN UNIT	\$273
A02B-0075-H093	AXIS CPU CARD	\$956	A02B-0080-C025	FAN UNIT	\$319
A02B-0075-J019	ADDITIONAL POWER UNIT	\$383	A02B-0080-C082	FAN UNIT	\$230
A02B-0075-J033-K1	CABLE KIT	\$45	A02B-0080-C111	JUNCTION BOX	\$952
A02B-0075-J042	FILE MEMORY C1	\$33,219	A02B-0080-C112	REGENERATE DIS UNIT	\$262
A02B-0075-J043	FILE MEMORY C2	\$33,219	A02B-0080-C123	OPERATOR PANEL CHNC1	\$1,758
A02B-0075-J134	CABLE VCU (CA1)	\$215	A02B-0080-C141	FTS STD MACH OPER'S PNL(T SYS)	\$3,028
A02B-0075-J135	CABLE VCU (CA2)	\$224	A02B-0080-C142	FTS STD MACH OPER'S PNL(M SYS)	\$3,028
A02B-0075-J136	CABLE VCU (CA3)	\$232	A02B-0080-C310	WIRING PCB,SR-16	\$1,434
A02B-0075-J142	INPUT UNIT A15	\$867	A02B-0080-C311	PCB, MASTER	\$1,949
A02B-0075-J156	SERVO ASSEMBLY S2/10/2	\$867	A02B-0080-C424	FAN UNIT	\$246
A02B-0075-J192	S.U. CONNECT AL1/10/2	\$633	A02B-0080-H017	TAPE READER W/REEL	\$3,430
A02B-0075-J194	S.U. CONNECT AL1/10/4	\$1,054	A02B-0080-H043	PCB FIXING PLATE	\$31
A02B-0075-J201	COOLER UNIT	\$9,768	A02B-0080-H044	PCB FIXING PLATE	\$75
A02B-0075-K891	CNNCTR 20P,SLD,FEML	\$11	A02B-0080-H112	CABLE, OPTIONAL 4 METER LENGTH	\$145
A02B-0075-K892	CNNCTR 20P,SLD,MALE	\$12	A02B-0080-J004	AUTO MEASURING SYSTEM	\$528
A02B-0075-K893	CNNCTR 20P,CRP,FEML	\$13	A02B-0080-J018	STD FRAME MACHINE OPER'S PNL	\$46
A02B-0075-K894	CNNCTR 20P,CRP,MALE	\$13	A02B-0081-J191	PMC-L DEBUG ROM	\$232
A02B-0076-C004	PC CASSETTE B	\$1,762	A02B-0081-J195	PMC-L DEBUG RAM	\$380
A02B-0076-C021	9" CRT/MDI UNIT	\$7,218	A02B-0083-C021	BATTERY UNIT	\$116
A02B-0076-C022	CRT/MDI UNIT	\$5,988	A02B-0083-C101	CRT/MDI(W/O GRAPHIC)	\$838
A02B-0076-C025	CRT/MDI UNIT	\$5,988	A02B-0083-C102	CRT/MDI(W/ GRAPHIC)	\$915
A02B-0076-C041	CRT/MDI	\$3,802	A02B-0083-C111	ROM CASSETTE 64K	\$307
A02B-0076-C042	CRT/MDI UNIT	\$6,330	A02B-0083-C113	ROM CASSETTE 128K	\$615
A02B-0076-C061	CRT/MDI 14" HOR EXT	\$7,623	A02B-0083-C114	CASSETTE ADAPTER	\$184
A02B-0076-C062	USE A02B-0076-C091 WHEN OUT 5...485	\$7,623	A02B-0083-C141	MACHINE CONTROL PANEL	\$1,528
A02B-0076-C091	CRT/MDI 14" HOR EXT	\$7,623	A02B-0083-C145	OPERATORS PANEL	\$1,660
A02B-0076-C104	CRT / MDI 14" VERTICAL	\$10,542	A02B-0083-C160	OPERATOR PANEL	\$1,776
A02B-0076-C121	CRT/MDI, STD, HORIZONTAL, 9"	\$3,046	A02B-0083-C180	PUNCH PANEL	\$160
A02B-0076-C122	CRT/MDI(9"/STD/HOR.)	\$3,046	A02B-0083-C901	FAN UNIT	\$215
A02B-0076-C127	CRT/MDI(9"/STD/HOR.) KANJ1	\$3,046	A02B-0083-D010	TERMINAL CONNECTOR	\$18
A02B-0076-C128	CRT/MDI(9"/STD/HOR.)	\$3,046	A02B-0083-D011	TERMINAL CONNECTOR	\$30
A02B-0076-C167	9" CRT/MDI (HOBBER)	\$3,046	A02B-0083-H011	POWER SUPPLY A (NOT CE)	\$610
A02B-0076-C168	CRT/MDI, 9", HORIZONTAL	\$3,046	A02B-0083-H012	POWER STABILIZER B	\$763
A02B-0076-C901	FAN UNIT	\$130	A02B-0083-H282-K1	CABLE KIT	\$505
A02B-0076-C902	FAN UNIT NO. 3	\$149	A02B-0083-H283	SERVO ASSEMBLY 3 AXES	\$918
A02B-0076-C931	FAN UNIT -USE: A90L-0001-0396 WHEN OUT	\$232	A02B-0083-H283-K1	CABLE KIT	\$674
A02B-0076-C932	FAN UNIT	\$266	A02B-0083-J021	MULTI AXES CARD	\$4,554
A02B-0076-C960	FAN UNIT	\$241	A02B-0083-J030	PART PROGRAM STORAGE 20M	\$80
A02B-0076-H007	MDI/CRT (14" COLOR)	\$7,958	A02B-0083-J031	PART PROGRAM STORAGE 40M	\$133
A02B-0076-H011	14" CATHODE RAY TUBE	\$7,623	A02B-0083-J032	PART PROGRAM STORAGE 80M	\$270
A02B-0076-H017	BUILT-IN MDI/CRT (14")	\$7,623	A02B-0083-J050	ADD I/O A1(40/56)	\$503
A02B-0076-H088	INPUT UNIT	\$934	A02B-0083-J060	ADD I/O A3(64/32)	\$1,022
A02B-0076-H291	MASTER PRINTED WIRE BOARD	\$5,417	A02B-0083-J080	GRAPHIC CARD	\$1,068
A02B-0076-H485	14" CRT/MDI	\$7,623	A02B-0083-J090	PMC-M PCB	\$1,068
A02B-0076-J039	TAPE READER	\$1,220	A02B-0083-J134	ADD'L PART PROG STORE 120M	\$342
A02B-0076-J051-K1	CABLE, READER/REELS S11-A	\$28	A02B-0083-J135	ADD'L PART PROG STORE 150M	\$455
A02B-0076-J074	TRANSFORMER, MULTI TAP	\$380	A02B-0083-J141	3RD/4TH AXES CARD	\$214
A02B-0076-J075	TRANSFORMER MULTI TAP	\$397	A02B-0083-J151	MACHINE OPERATOR'S PANEL	\$1,594
A02B-0076-J111	RESLV/INDUCTSN	\$1,525	A02B-0083-J172	ADD I/O B1	\$2,778
A02B-0076-J123-K1	CABLE	\$134	A02B-0083-J172-K1	CABLE	\$106
A02B-0076-J141-K1	CABLE	\$21	A02B-0083-J192	PMC-L DEBUG ROM	\$211
A02B-0076-J163	INPUT UNT AD C	\$458	A02B-0083-J196	PMC-M DEBUG RAM	\$1,081
A02B-0076-J164	INPUT UNT AD D	\$458	A02B-0083-J201	PUNCH PANEL	\$332
A02B-0076-J178	PUNCH PANEL	\$228	A02B-0083-J293	I/O CARD CONNECTOR	\$403
A02B-0076-J179	PUNCH PANEL	\$228	A02B-0083-J295	S ANALOG CONNECTOR	\$403
A02B-0076-J189	PUNCH PANEL	\$252	A02B-0083-J296	MOD CONNECTOR FOR PSN CODER	\$62
A02B-0076-J199	DOOR INTERLOCK	\$76	A02B-0083-K101	SPARE PARTS ( FUSES )	\$18
A02B-0076-J203	DOOR INTERLOCK	\$116	A02B-0083-K102	FUSE SPARE	\$27
A02B-0076-J204	DOOR INTERLOCK	\$116	A02B-0083-K103	SPARE PARTS	\$25
A02B-0076-J281	CHOKE COIL ASSEMBLY	\$73	A02B-0083-K105	SPARE FUSE	\$3
A02B-0076-J282	CHOKE COIL ASSEMBLY	\$70	A02B-0083-K110	PANCH PANEL	\$228
A02B-0076-J450	VELOCITY CTRL UNIT 4-0 ADAPTER	\$59	A02B-0083-K201	MDI KEY SHEET	\$37
A02B-0076-J497	RECTIFIER CIRCUIT, MEASUREMENT	\$467	A02B-0083-K210	SPARE KEY (BLIND)	\$3
A02B-0076-K001	PC CST A	\$610	A02B-0083-K211	SOFT KEY SHEET	\$9
A02B-0076-K002	PMC CASSETTE, 16000 STEPS	\$911	A02B-0083-K301	CABLE CLAMPS	\$56
A02B-0076-K012	FUSE (MDI+CRT)	\$21	A02B-0083-K501	PMC-L DEBUG ROM	\$200
A02B-0076-K013	FUSE CONNECTION UNIT	\$4	A02B-0083-K502	PMC-M DEBUG ROM	\$287
A02B-0076-K015	FUSE MULTI-TAP TRANSFORMER	\$26	A02B-0083-K505	PMC-L DEBUG RAM	\$380
A02B-0076-K105	MACHINE OPERATOR PANEL	\$26	A02B-0083-K801	PUNCH PANEL (5M) FOR OP PNL	\$228
A02B-0076-K107	FUSE (INPUT UNIT)	\$20	A02B-0083-K802	PUNCH PANEL (2M) FOR OP PNL	\$228
A02B-0076-K801	INPUT UNIT CABLE	\$84	A02B-0084-C101	CRT/MDI(W/O GRAPHIC)	\$838
A02B-0076-K803	CABLE	\$135	A02B-0084-C102	CRT/MDI UNIT W/GRAPHIC 9" CRT	\$915
A02B-0076-K803-K1	CABLE	\$123	A02B-0084-C133	MDI KYBD, SPL MT	\$316
A02B-0076-K812	BATTERY FOR PMC DEBUG BOARD	\$18	A02B-0084-C141	OPERATOR PANEL	\$1,528
A02B-0077-H003	MASTER PCB 11-ME	\$5,417	A02B-0084-C147	OPERATOR PANEL	\$1,660
A02B-0078-H226	SERVO ASS'Y/2AXES	\$444	A02B-0084-C160	OPERATOR PANEL	\$1,580
A02B-0078-J022	POWER SUPPLY ADAPTER	\$224	A02B-0084-C180	OPERATOR PANEL	\$444
A02B-0078-J221	DISCHARGE ASSEMBLY	\$68	A02B-0084-C183	OPERATORS PANEL	\$1,355



# A02B-0084-C184

Part Number	Description	Price	Part Number	Description	Price
A02B-0084-C184	OP PANEL (PEGA244)	\$3,370	A02B-0091-C162	OP PANEL,TSCHUDIN	\$1,894
A02B-0084-H097	MMC UNIT ASS'Y	\$1,985	A02B-0091-C163	OPERATOR PANEL (ROMI 0-TC)	\$2,001
A02B-0084-H105	CRT	\$915	A02B-0091-H051	I/O TYPE D1 80/56 POINTS	\$503
A02B-0084-H206	MMC CONNECTION	\$33	A02B-0091-J022	SUB CPU CARD	\$2,004
A02B-0084-H208	MMC CONNECTION	\$26	A02B-0091-J091	PWA, PMC-M ROM	\$2,113
A02B-0084-H271	DISCHARGE ASS'Y	\$47	A02B-0091-J134/J136	UPGRADE PART PROG STORAGE 120/320M	\$290
A02B-0084-H272	DISCHARGE ASS'Y	\$25	A02B-0091-J136	ADD'L PART PROG STORE 320M	\$569
A02B-0084-H279	DISCHARGE ASS'Y	\$57	A02B-0091-J192	PMC-L DEBUG ROM MOUNTED	\$287
A02B-0084-J135	DOOR INTERLOCK	\$76	A02B-0091-J193	PMC-M DEBUG ROM MOUNTED	\$287
A02B-0084-J145	DOOR INTERLOCK	\$76	A02B-0091-J195	PMC-L DEBUG RAM	\$380
A02B-0084-J235	TRANSFORMER	\$717	A02B-0091-J196	PMC-M DEBUG RAM PCB	\$1,143
A02B-0084-J289	BATTERY ASS'Y	\$36	A02B-0091-J261	ANALOG INPUT BD	\$2,113
A02B-0084-K201	MDI KEY SHEET	\$44	A02B-0091-K201	MDI KEY SHEET	\$37
A02B-0084-K202	MDI KEY SHEET	\$51	A02B-0091-K210	KEYSHEET 0-MATETC	\$23
A02B-0084-K209	OP PANEL KEY SHEET	\$44	A02B-0091-K211	KEYSHEET 9 INCH 0-L	\$16
A02B-0084-K211	KEYSHEET 9 INCH 0-L	\$18	A02B-0091-K212	SW KEYSHEET EL DISPLAY	\$18
A02B-0086-C041	ADAPTER A1	\$2,459	A02B-0091-K213	SW KEYSHEET 14 IN. DISPLAY	\$17
A02B-0086-C042	ADAPTER A2	\$2,459	A02B-0091-K501	PMC-L/M DEBUG ROM SEPARATE	\$287
A02B-0086-C043	ADAPTER A3	\$3,119	A02B-0091-K505	PMC-L DEBUG RAM	\$380
A02B-0086-C052	CRT / MDI ADAPTER A2	\$2,322	A02B-0091-K812	CONNECTING CABLE	\$178
A02B-0086-C053	CRT/MDI ADAPTER W/PMC-M + RAM	\$2,206	A02B-0092-C041	OBSLT, USE A02B-0098-C045#MAR	\$974
A02B-0086-H042	CRT/MDI ADAPTER 2	\$1,985	A02B-0092-C042	OBSLT, USE A02B-0098-C045#MBR	\$1,052
A02B-0086-H051	CRT/MDI ADAPTER A1	\$1,894	A02B-0092-C043	EXTERNAL 9" CRT/MDI MONOCHROME	\$1,052
A02B-0086-H052	CRT/MDI ADAPTOR	\$1,894	A02B-0092-C110	14" CRT/MDI	\$5,464
A02B-0086-J195	PMC-M DEBUG RAM PCB	\$2,206	A02B-0092-C141	FSO-MC MACH OPS PNL, 400mm	\$1,528
A02B-0086-K202	SOFT KEY SHEET	\$114	A02B-0092-C146	OPERATOR PANEL CHIRON	\$1,275
A02B-0087-C200	CRT/MDI 14" MMC HZ	\$12,181	A02B-0092-C161	FSO-MC MACH OPS PNL, 520mm	\$2,001
A02B-0087-C201	CRT/MDI 14" MMC HORZ	\$14,891	A02B-0092-C163	OPERATOR PANEL (ROMI 0-MC)	\$2,001
A02B-0087-C203	CRT/MDI 14" MMC HZ	\$11,612	A02B-0092-C181	MACHINE CONTROL PANEL	\$1,630
A02B-0087-C208	CRT/MDI 14" MMC HZ COLOR	\$11,065	A02B-0092-C183	OOP OPERATOR PANEL	\$2,058
A02B-0087-C223	CRT / MDI AMADA	\$10,041	A02B-0092-C191	OPERATORS PANEL	\$1,851
A02B-0087-C226	MMC UNIT,AMADA	\$10,200	A02B-0092-C192	CONNECTION UNIT	\$480
A02B-0087-C250	FLOPPY UNIT	\$3,324	A02B-0092-C200	CRT/MDI 14" COLOR FULL W/SK	\$7,623
A02B-0087-C252	PUNCH PANEL(1M)	\$228	A02B-0092-H162	2-AXIS ASM FOR MAIN CABINET	\$364
A02B-0087-C253	PUNCH PANEL(2M)	\$228	A02B-0092-H201	MCC CONNECTION W/TRANSFORMER	\$364
A02B-0087-C270	COOLING UNIT	\$902	A02B-0092-J131	DOOR INTERLOCK	\$76
A02B-0087-C275	MMC FAN UNIT	\$287	A02B-0092-J134	ADD'L PART PROG STORE 120M	\$364
A02B-0087-C301	CRT/MDI 14" MMC HZ COLOR	\$4,030	A02B-0092-J156	OP PANEL (PEGA357)	\$3,324
A02B-0087-H001	MMC II CPU	\$4,201	A02B-0092-J161	SERVO ASS'Y 2 AXES	\$305
A02B-0087-H011	MMC II MAIN CPU	\$2,960	A02B-0092-J192	PUNCH PANEL	\$228
A02B-0087-H013	MAIN CPU MMC-II (GLEASON)	\$3,028	A02B-0092-J193	PUNCH PANEL	\$228
A02B-0087-H021	GRAPHIC CONTROL MMC II	\$1,821	A02B-0092-J199	PUNCH PANEL	\$228
A02B-0087-H022	GRAPHIC CONTROL B	\$2,004	A02B-0092-J213-K1	TAPE READER CABLE	\$108
A02B-0087-H023	GRAPHIC CONTROL MMC II	\$2,277	A02B-0092-K202	KEYSHEET FOR 9" MDI UNIT	\$47
A02B-0087-H200	ROM FILE (512KB)	\$665	A02B-0092-K203	MDI KEYSHEET 14 IN. DISPLAY	\$80
A02B-0087-H201	ROM FILE (1MB)	\$1,553	A02B-0094-C001	CRT/MDI 9" SML HZ, EXT MNTG	\$1,138
A02B-0087-H202	ROM FILE 2MB	\$2,527	A02B-0094-C002	CRT/MDI 9" SML HZ	\$1,138
A02B-0087-H207	RAM FILE (512KB)	\$1,478	A02B-0094-C006	CRT/MDI 9" SML	\$1,138
A02B-0087-H211	BUBBLE MEMORY(512KB)	\$2,222	A02B-0094-C007	CRT/MDI 9" SML	\$1,138
A02B-0087-H212	BUBBLE MEMORY(1MB)	\$4,440	A02B-0094-C021	CRT/MDI 9" STD HZ, EXT MNTG	\$2,168
A02B-0087-J091	BATTERY /F MMC	\$31	A02B-0094-C022	CRT/MDI 9" STD HZ	\$2,168
A02B-0087-K200	BATTERY UNIT	\$111	A02B-0094-C028	CRT/MDI 9" HZ	\$2,168
A02B-0087-K201	PRINTER CABLE	\$364	A02B-0094-C041	CRT/MDI 14" HZ COLOR	\$4,030
A02B-0087-K220	COOLING FIN	\$638	A02B-0094-C042	CRT/MDI 14" HZ COLOR	\$4,030
A02B-0087-K225	FAN UNIT	\$224	A02B-0094-C043	CRT/MDI 14" HZ COLOR	\$4,030
A02B-0087-K240	FUSE(CRT/MDI)	\$28	A02B-0094-C044	CRT/MDI 14" HZ COLOR	\$4,030
A02B-0087-K254	KEY SHEET	\$48	A02B-0094-C045	CRT/MDI 14"	\$3,643
A02B-0087-K256	SPARE SURFACE SHEET	\$87	A02B-0094-C046	14" CRT/MDI UNTI	\$4,030
A02B-0088-H102	DIGITAL SERVO AMP	\$5,214	A02B-0094-C047	CRT/MDI 14" HZ COLOR	\$4,030
A02B-0088-J001	DISCHARGE UNIT	\$148	A02B-0094-C048	CRT/MDI 14" COLOR	\$4,235
A02B-0089-C021	BATTERY UNIT	\$89	A02B-0094-C049	CRT/MDI 14" HZ COLOR	\$4,030
A02B-0089-C121	CRT/MDI(W/O GRAPHIC)	\$1,601	A02B-0094-C050	CRT/MDI 14" HZ COLOR	\$4,030
A02B-0089-H021	BATTERY UNIT	\$111	A02B-0094-C051	CRT/MDI 14" VT COLOR	\$4,030
A02B-0089-K101	FUSE KIT	\$20	A02B-0094-C052	CRT/MDI 14" VT COLOR	\$4,030
A02B-0090-C101	CRT/MDI(W/O GRAPHIC)	\$838	A02B-0094-C053	CRT/MDI 14" COLOR	\$4,030
A02B-0090-C141	MACHINE CONT PANEL	\$1,528	A02B-0094-C061	CRT/MDI 14" VT COLOR	\$4,030
A02B-0090-J100	S4-DIGIT(ANALOG)	\$153	A02B-0094-C062	CRT/MDI 14"	\$3,825
A02B-0090-J140	3RD AXIS PCB	\$1,068	A02B-0094-C071	CRT 9" SEPARATE	\$729
A02B-0090-K201	MDI KEY SHEET	\$100	A02B-0094-C072	CRT 9" SEPARATE	\$729
A02B-0091-C041	OBSLT, USE A02B-0098-C045#FAR	\$974	A02B-0094-C073	CRT 9" SEPARATE	\$729
A02B-0091-C052	CRT/MDI 9" FULL KEY	\$1,983	A02B-0094-C081	MDI UNIT SEPARATE	\$303
A02B-0091-C062	EL/MDI(W/ SFT.	\$3,210	A02B-0094-C082	MDI UNIT SEPARATE	\$303
A02B-0091-C110	CASSETTE	\$237	A02B-0094-C101	PMC CASS A LADDER 8K STEPS	\$403
A02B-0091-C111	CASSETTE ROM MACRO EX 64KB	\$307	A02B-0094-C102	PMC CASSETTE B	\$603
A02B-0091-C113	CASSETTE ROM MACRO EX 128KB	\$615	A02B-0094-C103	PMC CASS C LDR 16K,PSCL 168KB	\$804
A02B-0091-C114	CASSETTE ROM MACRO EX 256KB	\$922	A02B-0094-C104	PMC CASS D LDR 16K,PSCL 424KB	\$1,004
A02B-0091-C115	MACRO CASSETTE 256K	\$922	A02B-0094-C105	PMC CASSETTE E	\$1,366
A02B-0091-C117	CASSETTE ROM MACRO EX 512KB	\$1,229	A02B-0094-C106	BATTERY UNIT	\$131
A02B-0091-C133	MDI SMALL KEYBOARD	\$182	A02B-0094-C107	USE A16B-2200-0700 WHEN OUT	\$1,407
A02B-0091-C135	OBSLT, USE A02B-0098-C146#FAR	\$1,191	A02B-0094-C108	USE A16B-2200-0701 WHEN OUT	\$1,004
A02B-0091-C138	EL UNIT W/ SOFTKEY 0-C	\$3,210	A02B-0094-C109	EXTERNAL N/C PUNCH PANEL	\$228
A02B-0091-C141	FSO-TC MACH OPS PNL, 400mm	\$1,528	A02B-0094-C110	PUNCH PANEL	\$228
A02B-0091-C145	OPERATOR PANEL (ZEMA 21-TB)	\$1,546	A02B-0094-C111	PUNCH PANEL (5M)	\$228
A02B-0091-C161	FSO-TC MACH OPS PNL, 400mm	\$2,001	A02B-0094-C112	PUNCH PANEL (10M)	\$228

RENEWAL PARTS  
PRICING

D-4



Part Number	Description	Price	Part Number	Description	Price
A02B-0094-C113	PUNCH PANEL 1.4M CABLE	\$303	A02B-0094-H237	NAMEPLATE GE FANUC	\$1
A02B-0094-C121	PMC RAM BD FOR DEBUG (512K)	\$1,407	A02B-0094-H238	NAMEPLATE GE FANUC	\$1
A02B-0094-C122	PMC DEBUG BOARD B	\$2,823	A02B-0094-H301	COMMON CONTROL A2 W/SS	\$1,721
A02B-0094-C131	CONVERSATIONAL ROM FILE CASS	\$804	A02B-0094-H302	COMMON CTRL B2 WITH 9" CRT,W/SS	\$1,639
A02B-0094-C132	CONV. ROM FILE 1600M	\$1,004	A02B-0094-H303	COMMON CONTROL C2	\$1,721
A02B-0094-C151	CRT/MDI 9" STD VT	\$1,821	A02B-0094-H304	COMMON CONTROL D2	\$1,721
A02B-0094-C152	CRT/MDI 9" STD VT	\$1,821	A02B-0094-H305	COMMON CNTRL E2 W/14" CRT W/SS	\$1,721
A02B-0094-C163	ROM CASSETTE 256KB	\$1,148	A02B-0094-H311	SERIAL FEEDBACK 1 AXIS DP	\$1,275
A02B-0094-C164	ROM CASSETTE 512 KB MACRO EXEC	\$1,530	A02B-0094-H312	AXIS CONTROL B, 2 AXES, SER	\$1,639
A02B-0094-C171	PDP/MDI 9" SML	\$3,051	A02B-0094-H313	SERIAL FEEDBACK 3 AXIS DP	\$2,004
A02B-0094-C172	PDP/MDI 9" SML	\$3,051	A02B-0094-H314	SERIAL FEEDBACK 4 AXIS DP	\$2,732
A02B-0094-C173	PDP/MDI 9" STD	\$3,848	A02B-0094-H315	AXIS CONTROL B, 5 AXES, SER	\$3,643
A02B-0094-C174	PDP/MDI 9" STD	\$3,848	A02B-0094-H316	AXIS CONTROL B, 6 AXES, SER	\$4,007
A02B-0094-C208	14" CRT/MDI UNIT	\$3,643	A02B-0094-H317	SERIAL FEEDBACK 7 AXIS	\$4,372
A02B-0094-C901	HEAT EXCHANGER	\$383	A02B-0094-H318	SERIAL FEEDBACK 8 AXIS	\$4,736
A02B-0094-H001	CONTROL UNIT A1	\$2,004	A02B-0094-H321	CNC CONTROL B1 SERIAL	\$2,368
A02B-0094-H002	CONTROL UNIT A2	\$2,801	A02B-0094-H322	CNC CONTROL B2 SERIAL	\$2,368
A02B-0094-H003	CONTROL UNIT A3	\$3,597	A02B-0094-J001	EXTERNAL DETECTOR ADAPTER A	\$316
A02B-0094-H004	CONTROL UNIT A4	\$2,004	A02B-0094-J002	EXTERNAL DETECTOR ADAPTER B	\$328
A02B-0094-H005	CONTROL UNIT A5	\$2,801	A02B-0094-J003	EXTERNAL DETECTOR ADAPTER C	\$316
A02B-0094-H006	CONTROL UNIT A6	\$3,597	A02B-0094-J004	EXTERNAL DETECTOR ADAPTER D	\$360
A02B-0094-H011	CONTROL UNIT B1	\$2,222	A02B-0094-J005	SEPARATE TYPE DETECTOR ADAPTER	\$383
A02B-0094-H012	CONTROL UNIT B2	\$3,028	A02B-0094-J011	GRAPHICS PCB 14" COLOR CRT	\$2,113
A02B-0094-H013	CONTROL UNIT B3	\$3,825	A02B-0094-J012	GRAPHICS PCB 14" COLOR 15-TTF	\$4,235
A02B-0094-H014	CONTROL UNIT B4	\$2,322	A02B-0094-J013	14" CRT CONTROL	\$1,913
A02B-0094-H015	CONTROL UNIT B5	\$3,165	A02B-0094-J016	PMC RAM BOARD	\$1,307
A02B-0094-H016	CONTROL UNIT B6	\$4,030	A02B-0094-J017	RAM FILE B	\$1,307
A02B-0094-H021	CONTROL UNIT C3	\$1,407	A02B-0094-J018	RAM FILE C	\$1,307
A02B-0094-H022	CONTROL UNIT C4	\$1,478	A02B-0094-J019	PMC RAM BOARD	\$1,307
A02B-0094-H024	CONTROL UNIT C4	\$1,478	A02B-0094-J020	PMC RAM BOARD	\$1,307
A02B-0094-H031	CONTROL UNIT D1	\$1,607	A02B-0094-J021	SERIAL PORT A	\$1,054
A02B-0094-H041	CNC CONTROL A1, W/SUBCPU	\$5,282	A02B-0094-J022	SERIAL PORT B	\$842
A02B-0094-H042	CNC CONTROL A2, W/SUBCPU	\$5,282	A02B-0094-J025	REMOTE BUFFER D	\$1,339
A02B-0094-H043	CNC CONTROL B1	\$2,618	A02B-0094-J026	DNC1 CONTROL A	\$1,275
A02B-0094-H044	CNC CONTROL B2	\$2,618	A02B-0094-J027	DNC1 CONTROL B	\$1,275
A02B-0094-H045	CNC CONTROL C1, W/O SUBCPU	\$2,113	A02B-0094-J031	CONVERSATIONAL ROM FILE	\$1,207
A02B-0094-H046	CNC CONTROL C2	\$2,113	A02B-0094-J034	ADD'L ROM BOARD	\$309
A02B-0094-H047	CNC CONTROL B BASE 2	\$9,290	A02B-0094-J035	MPC-2 INTERFACE	\$681
A02B-0094-H048	CNC CONTROL BASE 2 HIGH SPEED	\$9,290	A02B-0094-J044	PMC DEBUG BOARD	\$1,491
A02B-0094-H051	AXIS CONTROL, 1 AXIS	\$1,339	A02B-0094-J051	CONNECTION UNIT 1	\$2,505
A02B-0094-H052	AXIS CONTROL A, 2 AXES	\$1,721	A02B-0094-J052	CONNECTION UNIT 1	\$2,505
A02B-0094-H053	AXIS CONTROL 3 AXES	\$2,322	A02B-0094-J053	CONNECTION UNIT 1	\$2,505
A02B-0094-H054	AXIS CONTROL 4 AXIS	\$3,028	A02B-0094-J054	CONNECTION UNIT 1	\$2,505
A02B-0094-H055	AXIS CONTROL A, 5 AXES	\$4,235	A02B-0094-J056	CONNECTION UNIT 1	\$2,505
A02B-0094-H056	AXIS CONTROL 6 AXES	\$4,645	A02B-0094-J057	CONNECTION UNIT 1	\$2,277
A02B-0094-H057	AXIS CONTROL 7 AXES	\$4,827	A02B-0094-J058	CONNECTION UNIT 1	\$2,505
A02B-0094-H058	AXIS CONTROL 8 AXIS	\$5,237	A02B-0094-J061	CONNECTION UNIT 2	\$2,505
A02B-0094-H066	CONVERSATION CONTROL A	\$3,028	A02B-0094-J066	CONNECTION UNIT 2	\$2,505
A02B-0094-H068	ADAPTOR (CRT/MDI)	\$1,808	A02B-0094-J071	TAPE READER W/O REEL, FS PKG	\$1,828
A02B-0094-H071	COMMON CONTROL A1	\$1,808	A02B-0094-J072	TAPE READER W/O REEL, BI 2 PKG	\$1,828
A02B-0094-H072	COMMON CONTROL B1 W/ 9" CRT	\$1,894	A02B-0094-J073	TAPE RDR W/O REELS FOR SWIVLHD	\$2,413
A02B-0094-H073	COMMON CONTROL C	\$1,894	A02B-0094-J075	TAPE READER	\$2,413
A02B-0094-H074	COMMON CONTROL	\$1,894	A02B-0094-J076	TAPE READER W/ REEL, FS PKG	\$3,354
A02B-0094-H075	COMMON CONTROL E1 W/ 14" CRT	\$1,894	A02B-0094-J077	TAPE READER W/ REEL, BI 2 PKG	\$3,354
A02B-0094-H081	INPUT UNIT	\$403	A02B-0094-J080	TAPE READER W/O REEL, BI 1 PKG	\$1,828
A02B-0094-H101	9 INCH CRT/MDI UNIT	\$1,113	A02B-0094-J101	DOOR INTERLOCK	\$76
A02B-0094-H106	CRT/MDI 9" SML HZ	\$1,110	A02B-0094-J102	DOOR INTERLOCK	\$76
A02B-0094-H108	CRT/MDI 9" SML HZ	\$1,110	A02B-0094-J103	DOOR INTERLOCK	\$76
A02B-0094-H116	CRT/MDI 9" SML HZ	\$1,110	A02B-0094-J104	DOOR INTERLOCK	\$76
A02B-0094-H146	CRT/MDI 9" STD HZ	\$1,821	A02B-0094-J105	DOOR INTERLOCK FOR ENCLOSURE	\$100
A02B-0094-H147	CRT/MDI 9" STD HZ	\$1,821	A02B-0094-J112	DOOR INTERLOCK (ADD CABINET A)	\$76
A02B-0094-H148	CRT/MDI 9" STD HZ	\$1,821	A02B-0094-J121	INPUT UNIT ADDL CABINET D1	\$804
A02B-0094-H149	CRT/MDI 9" STD	\$1,821	A02B-0094-J122	INPUT UNIT ADDL CABINET D2	\$182
A02B-0094-H156	CRT/MDI 9" STD HZ FS	\$1,821	A02B-0094-J131	SERVO ASSEMBLY 1st AXIS	\$200
A02B-0094-H157	CRT/MDI 9" STD HZ BI1	\$1,821	A02B-0094-J132	SERVO ASSEMBLY MAIN 2nd AXIS	\$200
A02B-0094-H161	PUNCH PANEL BUILT IN	\$228	A02B-0094-J133	SERVO ASSEMBLY MAIN 3rd AXIS	\$200
A02B-0094-H162	PUNCH PANEL	\$228	A02B-0094-J134	SERVO ASM.1ST AMMP/1ST,2ND AXI	\$182
A02B-0094-H163	PUNCH PANEL	\$228	A02B-0094-J135	SERVO ASSEMBLY MAIN 2ND AX	\$182
A02B-0094-H164	PUNCH PANEL	\$228	A02B-0094-J136	SERVO ASSEMBLY MAIN 3RD AX	\$182
A02B-0094-H165	PUNCH PANEL F/TURNABLE CRT/MDI	\$303	A02B-0094-J137	SERVO ASM. 2ND AMP/3RD AXIS	\$182
A02B-0094-H166	PUNCH PANEL	\$228	A02B-0094-J138	SERVO ASM. 3RD AMP/4TH AXIS	\$182
A02B-0094-H171-K1	CABLE	\$210	A02B-0094-J141	SERVO ASM ADD'L 1ST AXIS	\$200
A02B-0094-H172	CRT/MDI 14" (MAKINO)	\$4,554	A02B-0094-J142	SERVO ASM ADD'L 2ND AXIS	\$200
A02B-0094-H173	CRT/MDI 14"	\$4,303	A02B-0094-J143	SERVO ASM ADD'L 3RD AXIS	\$200
A02B-0094-H175	CRT/MDI 14"	\$3,643	A02B-0094-J151	MCC TRANSFORMER	\$200
A02B-0094-H176	CRT/MDI 14" (TURNTABLE)	\$4,030	A02B-0094-J152	MCC ASM WITH TRANSFORMER	\$23
A02B-0094-H186	CRT/MDI 9" STD HZ	\$1,821	A02B-0094-J156	ASSEMBLY RESISTOR UNIT MAIN	\$36
A02B-0094-H205	NAMEPLATE	\$1	A02B-0094-J171	MULTITAP TRANSFORMER	\$526
A02B-0094-H206	NAMEPLATE	\$1	A02B-0094-J172	MULTI TAP TRANSFORMER	\$526
A02B-0094-H207	NAMEPLATE GEFANUC 15-TTA 9V	\$1	A02B-0094-J173	TRANSFORMER MULTI TAP	\$551
A02B-0094-H215	NAMEPLATE GE FANUC 14"	\$1	A02B-0094-J201	JUNCTION FOR OPERATOR PANEL	\$1,407
A02B-0094-H216	NAMEPLATE GEFANUC 15-TA,TTA 14	\$1	A02B-0094-J211	GRAPHICS PCB 9" COLOR CRT	\$1,821
A02B-0094-H217	NAMEPLATE GEF 14" CRT 9.5/10LCD	\$1	A02B-0094-J220	PMC RAM BOARD B	\$2,778
A02B-0094-H236	NAMEPLATE GE FANUC	\$1	A02B-0094-J270	DNC-1 TAP UNIT	\$182





# A02B-0094-J301

Part Number	Description	Price	Part Number	Description	Price
A02B-0094-J301	MAP 3.0 INTF BROAD BAND	\$11,840	A02B-0095-H095	AXIS CNTRL-ANALOG INTRF 5 AXIS	\$4,759
A02B-0094-J302	MAP I/F S15 CARRIER BAND	\$9,023	A02B-0095-H096	AXIS CNTRL-ANALOG INTRF 6 AXIS	\$5,168
A02B-0094-J315	OSI ETHERNET PC BD	\$3,984	A02B-0095-H097	AXIS CNTRL-ANALOG INTRF 7 AXIS	\$6,102
A02B-0094-J316	OSI ETHERNET PC BD	\$3,984	A02B-0095-H098	AXIS CNTRL-ANALOG INTRF 8 AXIS	\$6,535
A02B-0094-J321	RISC PROCESSOR BOARD 64 BIT	\$10,473	A02B-0095-H121	ANALOG AXES CONTROL (4 AXES)	\$3,119
A02B-0094-J322	LASER INTERFACE	\$3,097	A02B-0095-H122	ANALOG AXES CONTROL (8 AXES)	\$6,239
A02B-0094-K001	CABLE [J210-213]	\$141	A02B-0096-K801	FDBK CBL ABS 1MMSR STR OC 15A	\$346
A02B-0094-K002	CABLE	\$303	A02B-0096-K802	FDBK CBL ABS 1MMSR ELB OC 15A	\$344
A02B-0094-K003	USE A02B-0094-K853 WHEN OUT	\$303	A02B-0096-K891	CONNECTOR KIT	\$8
A02B-0094-K004	CABLE	\$161	A02B-0096-K892	CONNECTOR KIT	\$11
A02B-0094-K005	CABLE	\$161	A02B-0096-K893	CONNECTOR KIT	\$11
A02B-0094-K006	CABLE	\$241	A02B-0098-C045#MAR	9" CRT/MDI MONO W/O SOFTKEY ENG M	\$974
A02B-0094-K101	FUSE A1/A3 f/15T-A (D)	\$21	A02B-0098-C045#MBR	9" CRT/MDI MONO W/ SOFTKEY ENG M	\$1,052
A02B-0094-K102	FUSE	\$18	A02B-0098-C045#TAR	9" CRT/MDI MONO W/O SOFTKEY ENG T	\$974
A02B-0094-K103	FUSE, CNTRL UNIT C4, D1	\$38	A02B-0098-C045#TBR	9" CRT/MDI MONO W/ SOFTKEY ENG T	\$1,052
A02B-0094-K104	FUSE, CNTRL UNIT B4-6	\$29	A02B-0098-C046#MAR	9" CRT/MDI MONO W/O SOFTKEY SYM M	\$974
A02B-0094-K105	FUSE FOR CONN UNIT OPER PNL	\$7	A02B-0098-C046#MBR	9" CRT/MDI MONO W/ SOFTKEY SYM M	\$1,052
A02B-0094-K106	FUSE FOR C3	\$20	A02B-0098-C046#TAR	9" CRT/MDI MONO W/O SOFTKEY SYM T	\$974
A02B-0094-K111	SPARE PARTS F/15M-A (D)	\$44	A02B-0098-C046#TBR	9" CRT/MDI MONO W/ SOFTKEY SYM T	\$1,052
A02B-0094-K112	SPARE SHEET MDI 9" SMALL	\$48	A02B-0098-C048	9" CRT/MDI COLOR W/FULL KEY	\$3,301
A02B-0094-K116	SPARE PARTS f/15M-A (D)	\$56	A02B-0098-C055#MBR	9" CRT/MDI MONO W/ FULLKEY ENG M	\$1,983
A02B-0094-K117	SPARE SHEET MDI 9" STD	\$56	A02B-0098-C055#TBR	9" CRT/MDI MONO W/ FULLKEY ENG T	\$1,983
A02B-0094-K118	SPARE FRONT SHEET CRT/MDI 9"	\$54	A02B-0098-C056#MBR	9" CRT/MDI MONO W/ FULLKEY SYM M	\$1,983
A02B-0094-K119	SPARE FRONT SHEET CRT/MDI 9"	\$54	A02B-0098-C056#TBR	9" CRT/MDI MONO W/ FULLKEY SYM T	\$1,983
A02B-0094-K121	SPARE KEYSHEET 14" HZ CRT	\$76	A02B-0098-C065	PDP/MDI, SMALL TYPE w/SOFT KEY	\$3,051
A02B-0094-K122	SPARE SHEET MDI 14" H	\$76	A02B-0098-C075	PDP/MDI, FULL KEY w/SOFT KEY	\$4,030
A02B-0094-K123	SPARE PARTS (SHEET) F/15M-F(D)	\$76	A02B-0098-C086	8.4" LCD COLOR FULL KEY (0-TC)	\$3,301
A02B-0094-K124	SPARE SHEET MDI HORZ 15TTF	\$86	A02B-0098-C091#MBR	7.2" LCD/MDI SML MONO SFTKY ENG	\$1,776
A02B-0094-K126	SPARE KEYSHEET 14" VERT CRT	\$76	A02B-0098-C091#MBS	7.2" LCD/MDI SML MONO SFTKY SYM	\$1,776
A02B-0094-K127	SPARE SHEET MDI 14" V	\$76	A02B-0098-C091#TBR	7.2" LCD/MDI SML MONO SFTKY ENG	\$1,776
A02B-0094-K128	SPARE PARTS (SHEET) F/15T-F(D)	\$76	A02B-0098-C091#TBS	7.2" LCD/MDI SML MONO SFTKY SYM	\$1,776
A02B-0094-K129	SPARE SHEET MDI VERT 15TTF	\$86	A02B-0098-C092#MBR	7.2" LCD/MDI MONO FULLKEY ENG (	\$1,844
A02B-0094-K131	BATTERY	\$67	A02B-0098-C092#MBS	7.2" LCD/MDI MONO FULLKEY SYM (	\$1,844
A02B-0094-K551#EN05	STD CONV MACRO 3.5" DD DISK	\$729	A02B-0098-C092#TBR	7.2" LCD/MDI MONO FULLKEY ENG (	\$1,844
A02B-0094-K551#EN07	STD CONV MACRO 3.5" Floppy Disk	\$729	A02B-0098-C092#TBS	7.2" LCD/MDI MONO FULLKEY SYM (	\$1,844
A02B-0094-K552#EN05	STD CONV MACRO 3.5" DD DISK	\$729	A02B-0098-C093#B	7.2" LCD SEP MONO W/SKEY SYM	\$1,594
A02B-0094-K552#EN07	STD CONV MACRO 3.5" HD DISK	\$729	A02B-0098-C098	8.4" LCD S-0C	\$5,464
A02B-0094-K553#EN05	STD CONV PASCAL 3.5" DD DISK	\$729	A02B-0098-C099	8.4" LCD S-0C	\$5,464
A02B-0094-K553#EN07	STD CONV PASCAL 3.5" HD DISK	\$729	A02B-0098-C106	8.4" LCD COLOR SMALL KEY (0-TC)	\$2,368
A02B-0094-K554#EN05	STD CONV PASCAL 3.5" DD DISK	\$729	A02B-0098-C107	LCD/MDI F/O-D	\$3,142
A02B-0094-K554#EN07	STD CONV PASCAL 3.5" HD DISK	\$729	A02B-0098-C114	CASSETTE ADAPTER MACRO EX	\$239
A02B-0094-K561	KNOWLEDGE BASE GENERATOR	\$1,407	A02B-0098-C117	CASSETTE ROM MACRO EX 512KB	\$1,229
A02B-0094-K562	KNOWLEDGE BASE SAMPLE	\$403	A02B-0098-C118	CASSETTE ROM MACRO EX 1MB	\$1,537
A02B-0094-K801	CABLE FIBER OPTIC 5M	\$109	A02B-0098-C119	CASSETTE ROM MACRO EX 1MB	\$1,537
A02B-0094-K801EQ	SERCOS OPTICAL CABLE	\$109	A02B-0098-C121	CRT DETACHABLE W/O SOFTKEY	\$1,885
A02B-0094-K803	CABLE FIBER OPTIC 15M	\$250	A02B-0098-C122	CRT DETACHABLE W/SK 0-TC'S	\$1,976
A02B-0094-K804	OPTICAL FIBER CABLE	\$273	A02B-0098-C131	CRT HI DEF SEP TYPE W/O SK	\$792
A02B-0094-K805	OPTICAL FIBER CABLE	\$403	A02B-0098-C132	CRT 9" MONO W SOFT KEY	\$870
A02B-0094-K806	OPTICAL FIBER CABLE	\$455	A02B-0098-C145#MAR	MDI UNIT SEP TYPE SM 0-M'S ENG	\$638
A02B-0094-K808	OPTICAL FIBER CABLE	\$704	A02B-0098-C145#MB	MDI UNIT SEP TYPE SM 0-M'S SYM	\$638
A02B-0094-K809	OPTICAL FIBER CABLE	\$906	A02B-0098-C145#TAR	MDI SMALL KEYBOARD ENG	\$638
A02B-0094-K810	OPTICAL FIBER CABLE	\$1,004	A02B-0098-C145#TB	MDI SMALL KEYBOARD SYM	\$638
A02B-0094-K811	OPTICAL FIBER CABLE	\$1,107	A02B-0098-C146#MAR	MDI FULL KEY B ENG	\$1,191
A02B-0094-K812	OPTICAL FIBER CABLE	\$1,107	A02B-0098-C146#MB	MDI FULL KEY B SYM	\$1,191
A02B-0094-K813	OPTICAL FIBER CABLE	\$1,207	A02B-0098-C146#TB	MDI FULL KEY B SYM	\$1,191
A02B-0094-K814	OPTICAL FIBER CABLE	\$50	A02B-0098-C147#MAR	MDI UNIT SEP TYPE FULLKEY ENG	\$1,191
A02B-0094-K821	OPTICAL FIBER CABLE	\$65	A02B-0098-C147#MB	MDI UNIT SEP TYPE FULLKEY SYM	\$1,191
A02B-0094-K821EQ	SERCOS OPTICAL CABLE	\$56	A02B-0098-C150	MACHINE CONTROL PANEL	\$1,710
A02B-0094-K822	OPTICAL FIBER CABLE	\$60	A02B-0098-C170#TB	OPER PANEL "T" 400X180 CE SYM	\$1,528
A02B-0094-K823	OPTICAL FIBER CABLE	\$74	A02B-0098-C170#TBR	OPER PANEL "T" 400X180 CE ENG	\$1,528
A02B-0094-K824	OPTICAL FIBER CABLE 3 METER	\$82	A02B-0098-C194	PDP/MDI SWITCHER ASSEMBLY	\$546
A02B-0094-K831	CABLE	\$34	A02B-0098-C195	PDP/MDI SWITCHER ASSEMBLY	\$546
A02B-0094-K832	BATTERY CABLE	\$34	A02B-0098-C198#9039	ROM CASSETTE FOR AUTO TUNE	\$182
A02B-0094-K833	FDBK CBL HI RES INC STR 15A	\$319	A02B-0098-C199	EDITOR FOR PMC	\$2,300
A02B-0094-K834	CBL FDBK HIRES IN ELB-MR20 14M	\$314	A02B-0098-C200#MBR	CRT/MDI 14" COLOR FULL W/SK ENG	\$7,623
A02B-0094-K835	CABLE (CRT/MDI)	\$287	A02B-0098-C201#MBR	CRT/MDI 14" COLOR FULL W/SK SYM	\$7,623
A02B-0094-K851	CBL S SERIES VCU CMD 15A	\$100	A02B-0098-C210#MBR	14" CRT/MDI COL W/SKEY FKEY ENG	\$5,464
A02B-0094-K852	CBL FDBK INC STR-MR20 14M	\$312	A02B-0098-C211#MBR	14" LCD/MDI COL W/SKEY FKEY ENG	\$5,464
A02B-0094-K853	CBL FDBK INC ELB-MR20 14M	\$296	A02B-0098-C221	SO-C PUNCH PANEL 1M (CE)	\$228
A02B-0094-K854	CBL FDBK RELAY UNIT-CNTRL 2M	\$149	A02B-0098-C222	SO-C PUNCH PANEL 2M (CE)	\$228
A02B-0094-K855	CABLE J61 SIGNAL FOR MDI 7M	\$133	A02B-0098-C223	SO-C PUNCH PANEL 5M (CE)	\$228
A02B-0094-K856	CABLE J62 SIGNAL FOR CRT 7M	\$206	A02B-0098-C303	OPERATOR PANEL	\$1,648
A02B-0094-K885	CABLE	\$583	A02B-0098-H001	MASTER PCB OT-MATE	\$1,548
A02B-0095-H011	CNC CONTROL E1	\$5,464	A02B-0098-H002	MASTER PCB(CONT.B)	\$2,459
A02B-0095-H012	CNC CONTROL E2	\$5,464	A02B-0098-H003	MASTER PCB - CONTROL UNIT A	\$1,548
A02B-0095-H051	CONTROL UNIT, 15MA	\$3,825	A02B-0098-H004	MASTER PCB 0-C UNIT B	\$2,459
A02B-0095-H071	TRACING CONTROL, 15MA	\$1,200	A02B-0098-H008	MASTER PCB - CONTROL UNIT B	\$2,459
A02B-0095-H072	TRACING CONTROL - RENISHAW	\$1,143	A02B-0098-H009	MASTER PCB - CONTROL UNIT B	\$2,459
A02B-0095-H081	CONTROL, TRACING ANALOG, 15MA	\$1,894	A02B-0098-H010	MASTER PCB 0-LC UNIT B	\$2,459
A02B-0095-H082	ANALOG CONT., TRACER	\$1,858	A02B-0098-H012	POWER SUPPLY B2 (NOT CE)	\$911
A02B-0095-H091	AXIS CNTRL-ANALOG INTRF 1 AXIS	\$1,482	A02B-0098-H013	POWER SUPPLY C (NOT CE)	\$1,207
A02B-0095-H092	AXIS CNTRL-ANALOG INTRF 2 AXIS	\$1,913	A02B-0098-H014	POWER SUPPLY UNIT A1 (CE)	\$729
A02B-0095-H093	AXIS CNTRL-ANALOG INTRF 3 AXIS	\$2,823	A02B-0098-H021	PRESSURE METAL FOR CTRL UNIT	\$1
A02B-0095-H094	AXIS CNTRL-ANALOG INTRF 4 AXIS	\$3,279	A02B-0098-H022	PCB SUPPORT B	\$1

RENEWAL PARTS  
PRICING

D-6



Part Number	Description	Price	Part Number	Description	Price
A02B-0098-H031	SO-C MEMORY CARD S-ANALOG OUT	\$569	A02B-0098-K805	SIGNAL CABLE FOR CRT/PDP	\$157
A02B-0098-H032	PWA, MEMORY S SERIAL OUTPUT BH2	\$569	A02B-0098-K813	OILTIGHT CABLE / C SERIES AMP	\$2,413
A02B-0098-H033	SO-C MEMORY CARD S-SERIAL OUT	\$569	A02B-0098-K821	CABLE J210-J211	\$83
A02B-0098-H041	2-AXIS CARD	\$1,111	A02B-0098-K822	CABLE J220-J221 STRAIGHT	\$212
A02B-0098-H042	SO-C PWA 3 OR 4 AXIS	\$1,111	A02B-0098-K823	CABLE J220-J221 ELBOW	\$207
A02B-0098-H043	1/2 AXIS CARD W/O SERIAL PULCO	\$1,111	A02B-0098-K825	CABLE 9" MONO CRT SIGNAL	\$136
A02B-0098-H044	3/4 AXIS CARD W/O SERIAL PULCO	\$1,111	A02B-0098-K827	CABLE J220-J221 STRAIGHT HIRES	\$226
A02B-0098-H045	2 AXIS CARD W SERIAL PULCO	\$1,111	A02B-0098-K828	CABLE J220-J221 ELBOW HIRES	\$212
A02B-0098-H046	4 AXIS CARD W SERIAL PULCO	\$1,111	A02B-0098-K831	CABLE, LASER-CNC	\$21
A02B-0098-H047	2-AXES ANALOG SERVO I/F 0-TC	\$1,111	A02B-0098-K833	CABLE, LASER-CNC	\$219
A02B-0098-H048	4-AXES ANALOG SERVO I/F 0-T/MC	\$1,111	A02B-0098-K834	CABLE, LASER INTERFACE JL1	\$264
A02B-0098-H050	I/O C5 SINK (40/40)	\$1	A02B-0098-K835	CABLE, LASER-CNC	\$398
A02B-0098-H051	I/O C6 SINK (80/56)	\$503	A02B-0098-K838	CABLE, LASER-CNC	\$33
A02B-0098-H052	I/O C7 SINK (104/72)	\$581	A02B-0098-K840	CABLE, CONNECTION 1M	\$55
A02B-0098-H056	I/O D6,80/56	\$1,059	A02B-0098-K841	CBL C SERIES VCU CMD OC 15A	\$74
A02B-0098-H057	PCB, I/O C7	\$1,066	A02B-0098-K860	CBL FDBK ALPHA STR-MR20 14M	\$212
A02B-0098-H060	I/O E1 SOURCE (40/40)	\$412	A02B-0098-K871	CBL SOC CRT VIDEO 7M 45	\$203
A02B-0098-H061	I/O E2 SOURCE (80/56)	\$594	A02B-0098-K890	CONN HONDA MR 20P FEM SLDR 45	\$12
A02B-0098-H062	I/O E3 SOURCE (104/72)	\$765	A02B-0098-K891	CONN HONDA MR 50P FEM SLDR 45	\$17
A02B-0098-H065	FTS I/O-H2 8 DIGITAL INPUTS	\$280	A02B-0098-K892	CONN HONDA MR 20P FEM CRMP 45	\$13
A02B-0098-H066	FTS I/O-H2 20 DIGITAL INPUTS	\$323	A02B-0098-K893	CONN HONDA MR 50P FEM CRMP 45	\$20
A02B-0098-H071	4 AXIS CARD W/ TYPE B INTRF	\$1,111	A02B-0098-K898	CONN HONDA MR 20P MALE SLDR45	\$12
A02B-0098-H195	NAMEPLATE GE FANUC	\$1	A02B-0098-K899	CONN HONDA MR 50P MALE SLDR45	\$17
A02B-0098-H196	NAMEPLATE GE FANUC	\$1	A02B-0098-K900	CONN HONDA MR 20P MALE CRMP45	\$11
A02B-0098-H198	NAMEPLATE GE FANUC	\$1	A02B-0098-K901	CONN HONDA MR 50P MALE CRMP45	\$20
A02B-0098-J001	S4/S5 DIGIT INTERFACE	\$1,639	A02B-0098-K943	DNC-2 CARD	\$1,821
A02B-0098-J010	ANALOG INTERFACE	\$1,207	A02B-0099-C065	PDP/MDI, SMALL TYPE w/SOFT KEY	\$3,051
A02B-0098-J022	SUB CPU CARD	\$1,821	A02B-0099-C075	PDP/MDI, FULL KEY w/SOFT KEY	\$3,848
A02B-0098-J023	MULTI-AXES CARD	\$3,597	A02B-0099-C086	8 4"LCD COLOR FULL KEY (0-MC)	\$3,301
A02B-0098-J028	5/6 AXIS CARD W/O SERIAL PULCO	\$3,438	A02B-0099-C092	CRT/MDI, 9 INCH, MONOCHROME	\$1,847
A02B-0098-J029	5/6 AXIS CARD 0-TT STD W/O SER	\$3,438	A02B-0099-C097	8 4"LCD COLOR FULL KEY (0-PC)	\$2,368
A02B-0098-J030	5/6 AXIS CARD W SERIAL PULCO	\$3,279	A02B-0099-C106	8 4"LCD COLOR SMALL KEY (0-MC)	\$2,368
A02B-0098-J031	5/6 AXIS CARD 0-TT STD W SER	\$3,279	A02B-0099-C107	LCD/MDI F/O-D	\$3,142
A02B-0098-J032	MULTI AXES CARD 0-TTC	\$3,279	A02B-0099-C121	9" CRT DETACHABLE W/O S/K 0-MC	\$2,022
A02B-0098-J033	5/6 AXIS CARD W/ SERIAL PLCDR	\$3,279	A02B-0099-C122	DETACHABLE 9" CRT/MONO W/ SKEY	\$2,158
A02B-0098-J035	SUB CPU FOR PROGRAM FILEMATE	\$1,821	A02B-0099-C132	CRT UNIT 9"	\$1,138
A02B-0098-J040	MPG CONTROL, 2AXES	\$380	A02B-0099-C136	8 4"LCD COLOR SEPARATE TYPE	\$2,199
A02B-0098-J050	REMOTE BUFFER PCB 16 BIT	\$1,821	A02B-0099-C150#CW	OPERATOR PANEL (DRAKE)	\$1,528
A02B-0098-J051	DNC1 CARD - 16 BIT	\$1,821	A02B-0099-C150#MB	OPER PANEL "M" 400X180 CE SYM	\$1,528
A02B-0098-J055	REMOTE BUFFER PCB 32 BIT	\$1,821	A02B-0099-C150#MBR	OPER PANEL "M" 400X180 CE ENG	\$1,528
A02B-0098-J056	DNC1 CARD - 32 BIT	\$1,821	A02B-0099-C160	OPERATOR PANEL	\$2,004
A02B-0098-J080	SO-C PWA, GRAPHIC 9" MONO	\$1,068	A02B-0099-C160#K	OPERATORS PANEL - CUSTOM	\$2,095
A02B-0098-J081	GRAPH CARD(14" COLOR)	\$1,828	A02B-0099-C161#BH	OPERATOR PANEL CINC MILACRON	\$2,413
A02B-0098-J089	GRAPH CARD(9" COLOR)	\$1,828	A02B-0099-C161#BI	OPERATOR PANEL	\$2,004
A02B-0098-J090	SO-C PWA PMC-M	\$1,068	A02B-0099-C161#BK	OPERATOR PANEL	\$1,799
A02B-0098-J091	SO-C PWA PMC-M FOR EXTIO	\$1,173	A02B-0099-C161#MB	OPER PANEL "M" 520X180 CE SYM	\$2,001
A02B-0098-J095	SO-C PWA PMC-M I/O-A MASTER	\$1,275	A02B-0099-C161#MBR	OPER PANEL "M" 520X180 CE ENG	\$2,001
A02B-0098-J096	SO-C PWA PMC-M I/O-A MSTR/SLAV	\$1,821	A02B-0099-C161#TB	OPER PANEL "T" 520X180 CE SYM	\$2,001
A02B-0098-J100	S/P INTERFACE	\$458	A02B-0099-C161#TBR	OPER PANEL "T" 520X180 CE ENG	\$2,001
A02B-0098-J122	CRT/MDI SWITCHING ASM - SMALL	\$574	A02B-0099-C161#W	OPERATOR PNL (FELLOWS CUSTOM)	\$1,840
A02B-0098-J123	CRT/MDI SWITCHING ASM-FULL KEY	\$546	A02B-0099-C183	MACHINE OPERATOR PANEL, AMADA	\$1,985
A02B-0098-J124	PDP/MDI SWITCHER ASSEMBLY	\$546	A02B-0099-C901	FAN UNIT	\$170
A02B-0098-J125	PDP/MDI SWITCHER ASSEMBLY	\$546	A02B-0099-H009	MASTER PCB FOR CONTROL UNIT B	\$2,459
A02B-0098-J134	ADDL PART PROG STORAGE (=120M)	\$342	A02B-0099-H076	MACHINE OPERATORS PANEL	\$3,347
A02B-0098-J134/J136	UPGRADE PART PROG STORAGE 120/320M	\$291	A02B-0099-H095	CRT / MDI 14"	\$6,375
A02B-0098-J134-SFW	ADD PPS/E D (120M) SFW	\$342	A02B-0099-H097	INTERNAL 14" CRT/MDI	\$7,623
A02B-0098-J136	ADDL PART PROG STORAGE (=320M)	\$569	A02B-0099-H098	MMC UNIT ASS'Y	\$508
A02B-0098-J185	CHAR GENERATOR 14" CRT	\$1	A02B-0099-H099	INTERGRATED 14" CRT/MDI	\$7,623
A02B-0098-J191	4TH AXIS I/F W/O SERIAL PULCO	\$214	A02B-0099-H114	INTERNAL 9" CRT/MDI MONOCHROME	\$915
A02B-0098-J193	4TH AXIS INTERFACE 0-TC	\$214	A02B-0099-H120	CRT/MDI UNIT 9 INCH	\$3,643
A02B-0098-J195	7TH/8TH AXIS CARD	\$2,413	A02B-0099-H121	MDI/CRT UNIT	\$2,277
A02B-0098-J196	7/8 AXIS CARD W/O SERIAL PULCO	\$2,040	A02B-0099-H124	BUILT-IN 9" MDI/CRT (FULLK)	\$2,113
A02B-0098-J197	7 AXIS CARD W/O SERIAL PULCDR	\$1,721	A02B-0099-H142	INPUT UNIT 5 KVA FOR FREESTAND	\$1,225
A02B-0098-J198	7/8 AXIS CARD W/ SERIAL PULCO	\$2,040	A02B-0099-H143	POWER INPUT UNIT 10KVA	\$1,562
A02B-0098-J199	7TH AXIS CARD W/SERIAL PULCO	\$1,639	A02B-0099-H144	INPUT UNIT	\$1,257
A02B-0098-K001	LABEL (BATTERY CHANGE)	\$2	A02B-0099-H145	INPUT UNIT	\$1,198
A02B-0098-K103	FUSE POWER SUPPLY B2	\$21	A02B-0099-H147	INPUT UNIT	\$551
A02B-0098-K121	ASSEMBLY PLATE FOR DNC2	\$173	A02B-0099-H148	SERVO ASS'Y 2 AXES	\$774
A02B-0098-K201#MB	MDI KEYS SML 0-M SPARE SYM	\$37	A02B-0099-H149	SERVO ASM. FOR 3 AXES	\$546
A02B-0098-K201#MR	MDI KEYS SML 0-M SPARE ENG	\$45	A02B-0099-H156	INPUT UNIT	\$383
A02B-0098-K201#TR	MDI KEYS SML 0-T SPARE ENG	\$41	A02B-0099-H158	3 AXIS SERVO ASM	\$574
A02B-0098-K202#MR	MDI KEYS FUL 0-M SPARE ENG	\$45	A02B-0099-H159	SERVO ASSY 2 AXIS MAIN CAB	\$501
A02B-0098-K202#TR	MDI KEYS FUL 0-T SPARE ENG	\$45	A02B-0099-H160	SERVO ASM FOR 3 AXES	\$546
A02B-0098-K230#MB	OP PNL KEYS FUL 0-M SPARE SYM	\$71	A02B-0099-H162	PWR UNIT (BUILT IN)	\$574
A02B-0098-K230#MBR	OP PNL SPARE KEYS FUL 0-M ENG	\$71	A02B-0099-H185	NAMEPLATE GE FANUC	\$1
A02B-0098-K230#TB	OP PNL KEYS FUL 0-T SPARE SYM	\$71	A02B-0099-H195	NAMEPLATE GE FANUC	\$1
A02B-0098-K230#TBR	OP PNL SPARE KEYS FUL 0-T ENG	\$71	A02B-0099-H196	NAMEPLATE GE FANUC	\$1
A02B-0098-K240#MB	OP PNL KEYS SML 0-M SPARE SYM	\$64	A02B-0099-H208	MCC CONNECTION	\$219
A02B-0098-K240#MBR	OP PNL SPARE KEYS SML 0-M ENG	\$64	A02B-0099-H213	MCC ASSEMBLY	\$26
A02B-0098-K240#TB	OP PNL KEYS SML 0-T SPARE SYM	\$64	A02B-0099-H221	BREAKER	\$704
A02B-0098-K240#TBR	OP PNL KEYSHEET FULL MDI ENG	\$64	A02B-0099-H261	AC DIGIT SVO ASM 1 AX 1 UNIT	\$191
A02B-0098-K801	CBL SOC DI/DO 50 COND 7M 45	\$184	A02B-0099-H262	AC DIGIT SVO ASM 1 AX 2 UNITS	\$383
A02B-0098-K802	CBL SOC DI/DO 20 COND 7M 45	\$105	A02B-0099-H263	AC DIGIT SVO ASM 1 AX 3 UNITS	\$574
A02B-0098-K803	CBL SOC MDI SIGNAL 10M 45	\$156	A02B-0099-H264	AC DIGIT SVO ASM 2 AX 1 UNIT	\$287



# A02B-0099-H265

Part Number	Description	Price	Part Number	Description	Price
A02B-0099-H265	AC DIGIT SVO ASM 2 AX 2 UNITS	\$574	A02B-0108-H317	OP PANEL ATC 128	\$1,603
A02B-0099-H266	AC DIGIT SVO ASM 3 AX 1 UNIT	\$574	A02B-0108-J261	I/O MODULE	\$232
A02B-0099-H267	SERVO ASS'Y 3 AXES	\$546	A02B-0108-J265	I/O MODULE	\$189
A02B-0099-H269	SERVO ASS'Y 3 AXES	\$560	A02B-0116-H001	CONTROL UNIT, E1	\$2,618
A02B-0099-H271	MACHINE OPE-PANEL	\$1,851	A02B-0116-H011	S15 MULTI-AXIS CTRL UNIT F1	\$2,004
A02B-0099-H275	3 AXES SERVO ASSEMBLY	\$849	A02B-0116-H081	INPUT UNIT	\$956
A02B-0099-J002	LASER I.F. CARD	\$3,097	A02B-0116-H101	AXIS CPU CONTROL	\$5,032
A02B-0099-J071	TAPE READER W/O REEL	\$1,828	A02B-0116-J001	DOOR INTERLOCK	\$76
A02B-0099-J076	NC INCORPORATED TAPE READER	\$1,828	A02B-0116-J011	MULTI TAP TRANSFORMER	\$1,161
A02B-0099-J125	DOOR INTERLOCK	\$91	A02B-0116-J031	DOUBLE CHECK CONTROL (4 AXES)	\$1,339
A02B-0099-J133	ADDL PART PROG STORAGE (=80M)	\$228	A02B-0116-J032	DOUBLE CHK CNTL W/O SS 8 AXES	\$1,721
A02B-0099-J133/J134	UPGRADE PART PROG STORAGE 80/120M	\$131	A02B-0116-J033	DOUBLE CHK CNTL W/SS 4 AXES	\$965
A02B-0099-J133/J135	UPGRADE PART PROG STORAGE 80/160M	\$262	A02B-0116-J034	DOUBLE CHK CNTL W/SS 8 AXES	\$1,359
A02B-0099-J133/J136	UPGRADE PART PROG STORAGE 80/320M	\$393	A02B-0116-K102	ADDN INPUT UNIT SPARE FUSE	\$23
A02B-0099-J133-SFW	ADDL PART PROG STORAGE (=80M)	\$256	A02B-0116-K103	FUSE KIT	\$46
A02B-0099-J134	ADDL PART PROG STORAGE (=120M)	\$342	A02B-0116-K801	CABLE INPUT UNIT	\$119
A02B-0099-J134/J135	UPGRADE PART PROG STORAGE 120/160M	\$131	A02B-0116-K802	OP PNL CONN UNIT CABLE	\$34
A02B-0099-J134/J136	UPGRADE PART PROG STORAGE 120/320M	\$263	A02B-0116-K803	CABLE FOR CONTROL UNIT CONN	\$119
A02B-0099-J135	ADDL PART PROG STORAGE (=160M)	\$455	A02B-0118-C010	DPL/MDI UNIT	\$815
A02B-0099-J135/J136	UPGRADE PART PROG STORAGE 160/320M	\$132	A02B-0118-C012	DPL/MDI UNIT FLAT MTG F/PWR MT	\$815
A02B-0099-J135-SFW	ADDL PART PROG STORAGE (=160M)	\$455	A02B-0118-C013	DPL / MDI UNIT - LONG DISTANCE	\$815
A02B-0099-J136	ADDL PART PROG STORAGE (=320M)	\$569	A02B-0118-C020	POSITION DISPLAY 8 DIGITS	\$1,275
A02B-0099-J136-SFW	ADDL PART PROG STORAGE (=320M)	\$569	A02B-0118-C030	DPL/MDI LG DIS(USED W/CONSOLE)	\$815
A02B-0099-J137	ADDL PART PROG STORAGE (=320M)	\$228	A02B-0118-C031	DPL/MDI LG DIS(WALL MTD TYPE)	\$815
A02B-0099-J151	SERVO ASSEMBLY (1 AXIS)	\$191	A02B-0118-C032	MDI LONG, TABLE GEFANUC ENG	\$815
A02B-0099-J152	SERVO ASSEMBLY 3 AXES	\$182	A02B-0118-C033	DPL/MDI LONG, GE Fanuc	\$815
A02B-0099-J153	SERVO ASSEMBLY 4 AXES	\$182	A02B-0118-C040	DPL/MDI (USED WITH CONSOLE)	\$590
A02B-0099-J155	OPERATOR PANEL ASSEMBLY	\$574	A02B-0118-C041	DPL/MDI (WALL MTD TYPE)	\$640
A02B-0099-J158	2-AXIS SERVO ASM FOR ADD. CAB.	\$678	A02B-0118-C042	DPL / MDI PANEL FLAT MNTG.	\$569
A02B-0099-J159	SERVO ASSY 2 AXIS W/2 TRANSF.	\$674	A02B-0118-C043	DPL / MDI PANEL WALL MNT.	\$619
A02B-0099-J159-K1	CABLE KIT	\$303	A02B-0118-C130#R	MDI LONG, TABLE FANUC ENG	\$815
A02B-0099-J163	VCU 1-AXIS ASSEMBLY	\$191	A02B-0118-C130#S	MDI LONG, TABLE FANUC SYM	\$815
A02B-0099-J173	ADDITIONAL I/O B2	\$1,906	A02B-0118-C131#S	MDI LONG, WALL FANUC SYM	\$815
A02B-0099-J188	I/O UNIT B2	\$1,981	A02B-0118-C132#R	MDI LONG, TABLE GEFANUC ENG	\$815
A02B-0099-J188-K1	CABLE	\$96	A02B-0118-C132#S	MDI LONG, TABLE GEFANUC SYM	\$815
A02B-0099-J190	AXIS INTERFACE 4 TH	\$214	A02B-0118-C133#R	MDI LONG, WALL GEFANUC ENG	\$815
A02B-0099-J191	4TH AXIS I/F W/O SERIAL PULCO	\$214	A02B-0118-C133#S	MDI LONG, WALL GEFANUC SYM	\$815
A02B-0099-J196	CABINET MOUNT PUNCH PANEL	\$228	A02B-0118-D001	SURGE ABSORBER	\$7
A02B-0099-J197	PUNCH PANEL	\$228	A02B-0118-H001	SUB PCB 48/32,AN	\$191
A02B-0099-J203	4TH AXIS INTERFACE 0-MC	\$214	A02B-0118-H002	SUB PCB 48/32 I/O W/O SPDL	\$92
A02B-0099-J212	TAPE READER W/O REELS	\$2,186	A02B-0118-H003	SUB PCB 32/24 I/O W/O SPDL	\$1
A02B-0099-J213	TAPE READER W/O REEL	\$1,940	A02B-0118-H010	PWR MATE SUB PCB 48/32 I/O SER	\$182
A02B-0099-J219	TAPE READER W/O REEL	\$1,828	A02B-0118-J001	DPL/MDI UNIT	\$1,058
A02B-0099-J229	TAPE READER W/REELS	\$3,615	A02B-0118-K001	CABLE CLAMPS (5)	\$4
A02B-0099-J233	S SERIES SERVO TRANS ASSY	\$186	A02B-0118-K010	DPL/MDI TABLE MOUNT W/CABLE	\$870
A02B-0099-J234	MULTI-TAP TRANSFORMER	\$380	A02B-0118-K011	DPL/MDI WALL MOUNT W/CABLE	\$870
A02B-0099-J239	TRANSFORMER	\$380	A02B-0118-K013	DPL/MDI WALL MOUNT W/CABLE	\$870
A02B-0099-J264	SERVO ASS'Y ADD 1 AXIS	\$191	A02B-0118-K101	SPARE PARTS (FUSE)	\$30
A02B-0099-J265	SERVO ASS'Y 1 AXES	\$191	A02B-0118-K102	FUSE	\$11
A02B-0099-J269	Z AXIS DELETION	\$58	A02B-0118-K111	LITHIUM BATTERY, SPARE	\$19
A02B-0099-J271	MACHINE OPE-PANEL	\$4,030	A02B-0118-K401#R	DPL/MDI KEYSH SPARE ENG	\$62
A02B-0099-K200#A	SPARE KEYSHEET (ZEMA 21-TB)	\$1	A02B-0118-K401#S	DPL/MDI KEYSH SPARE SYM	\$62
A02B-0099-K200#H	SPARE KEY SHEET 21TB	\$61	A02B-0118-K801	CABLE, I/O, PMATE	\$241
A02B-0099-K210#A	SPARE KEYSHEET (ROMI 0-TC)	\$45	A02B-0118-K812	CABLE, CONN. PWR MATE 14 M	\$533
A02B-0099-K210#B	SPARE KEYSHEET (ROMI 0-MC)	\$45	A02B-0118-K813	CABLE, CONN PWR MATE 14 M	\$383
A02B-0099-K220#CW	CUSTOM KEYSHEET	\$38	A02B-0118-K820	CBL PWRMATE DPL/MDI 2M	\$113
A02B-0099-K230	CUSTOM KEY SHEET	\$116	A02B-0118-K821	CBL PWRMATE DPL/MDI 7M	\$115
A02B-0099-K230#BH	SPARE KEYSHEET CINC MILACRON	\$77	A02B-0118-K822	CBL PWRMATE DPL/MDI 14M	\$130
A02B-0099-K230#K	KEYSHEET	\$114	A02B-0118-K891	CONNECTOR,50P,FM,SLD	\$18
A02B-0099-K230#W	KEYSHEET (FELLOWS CUSTOM)	\$72	A02B-0118-K892	CONNECTOR,50P,FM,CLP	\$11
A02B-0100-H001	MASTER PCB	\$1,052	A02B-0118-K895	CONNECTOR:D-SUB,M	\$33
A02B-0100-H031	MEMORY CARD	\$569	A02B-0118-K896	CONNECTOR,BURNDY	\$4
A02B-0100-H041	1/2 AXIS CARD W/O SERIAL PULCO	\$1,111	A02B-0118-K900	CONNECTOR:D-SUB,1	\$12
A02B-0100-H042	3/4 AXIS CARD W/O SERIAL PULCO	\$1,111	A02B-0118-K901	CONN D-SUB 15 PIN FEM M3	\$19
A02B-0100-H051	I/O C6 (80/56)	\$503	A02B-0120-C011	CONTROL UNIT RACK 2 SLOT	\$255
A02B-0100-H052	I/O C7 (104/72)	\$808	A02B-0120-C012	CNTRL UNIT RACK 4-SLOT	\$186
A02B-0100-J040	MPG CONTROL,2AXES	\$380	A02B-0120-C013	CONTROL UNIT RACK 6 SLOT	\$303
A02B-0100-J080	GRAPHIC CARD	\$1,068	A02B-0120-C015	S-16 RACK 3 SLOT	\$451
A02B-0100-J100	S/P ANALOG/POSN INTERFACE	\$458	A02B-0120-C041#MAR	OBSLT, USE A02B-0120-C041#MAR	\$1,138
A02B-0100-J134	ADDL PART PROG STORAGE (=120M)	\$342	A02B-0120-C041#MAR	9" CRT HOR 200X400 SML MONO ENG	\$1,138
A02B-0100-J190	4TH AXIS INTERFACE	\$214	A02B-0120-C041#MAS	9" CRT HOR 200X400 SML MONO SYM	\$1,138
A02B-0101-J080	GRAPHIC PWA/9" MONOCHROME CRT	\$1,272	A02B-0120-C041#TA	OBSLT, USE A02B-0120-C041#TA	\$1,138
A02B-0101-J134	ADDL PART PROG STORAGE (=120M)	\$342	A02B-0120-C041#TAR	9" CRT HOR 200X400 SML MONO ENG	\$1,138
A02B-0101-J190	4TH AXIS INTERFACE	\$214	A02B-0120-C041#TAS	9" CRT HOR 200X400 SML MONO SYM	\$1,138
A02B-0103-H027	AC SERVO AMP 2 AXES	\$4,599	A02B-0120-C042#MA#CS	9" CRT/MDI UNIT SML HORZ CSA	\$2,393
A02B-0105-C272	OPERATOR PANEL B	\$877	A02B-0120-C042#TA#CS	9" CRT/MDI UNIT SML HORZ CSA	\$2,393
A02B-0105-H224	SPINDLE AMP W/CS	\$7,286	A02B-0120-C051#MAR	9" CRT H 200X520 STDPB MONO ENG	\$1,321
A02B-0105-H274	BREAKER, UL LISTED	\$852	A02B-0120-C051#MAS	9" CRT H 200X520 STDPB MONO SYM	\$1,321
A02B-0105-J220	SUB SPINDLE 5S DRIVE	\$1,890	A02B-0120-C051#TA	OBSLT, USE A02B-0120-C051#TAR	\$1,321
A02B-0105-J221	SUB SPINDLE 5S DRIVE	\$3,620	A02B-0120-C051#TAR	9" CRT H 200X520 STDPB MONO ENG	\$1,321
A02B-0105-J222	ADDITIONAL I/O B2	\$1,236	A02B-0120-C051#TAS	9" CRT H 200X520 STDPB MONO SYM	\$1,321
A02B-0106-H121-K1	CABLE KIT	\$3,015	A02B-0120-C052#MA#CS	9" CRT/MDI UNIT STD HORZ CSA	\$3,780
A02B-0108-C410	PUNCH PANEL	\$182	A02B-0120-C052#TA#CS	9" CRT/MDI UNIT STD HORZ CSA	\$3,780
A02B-0108-H260	I/O MODEL A UNIT GROUP 1	\$4,487	A02B-0120-C061	10" HORIZONTAL CRT/MDI UNIT	\$9,563

RENEWAL PARTS  
PRICING

D-8





Part Number	Description	Price	Part Number	Description	Price
A02B-0120-C061#MA	10" LCD HORZ 270x520 STD COLOR	\$9,563	A02B-0120-C271	FTS STD MACH OPS PNL, CE	\$2,277
A02B-0120-C061#MC	10" LCD HORZ 270x520 STD COLOR	\$9,563	A02B-0120-C272	FTS STD MACH OPS PNL FOR CE	\$2,277
A02B-0120-C061#TA	10" LCD HORZ 270x520 STD COLOR	\$9,563	A02B-0120-C300#TAR	8.4"LCD/MDI UNIT	\$4,918
A02B-0120-C061#TF	10" LCD HORZ 270x520 STD COLOR	\$9,563	A02B-0120-C301#MAR	8.4"LCD/MDI UNIT	\$5,214
A02B-0120-C062#MA	10" LCD VERT 410x380 STD COLOR	\$9,563	A02B-0120-C301#TAR	8.4" LCD/MDI	\$5,214
A02B-0120-C062#MC	10" LCD VERT 410x380 STD COLOR	\$9,563	A02B-0120-C302	LCD SEPARATE	\$2,413
A02B-0120-C062#TA	10" LCD VERT 410x380 STD COLOR	\$9,563	A02B-0120-H001	MAIN CPU BOARD 2 AXES	\$2,557
A02B-0120-C062#TF	10" LCD VERT 410x380 STD COLOR	\$9,563	A02B-0120-H003	MAIN CPU BD 2 AXES	\$2,557
A02B-0120-C066#MAR	10"LCD HOR 270X520 STD COL ENG	\$9,563	A02B-0120-H004	MAIN CPU BD 4 AXES	\$3,600
A02B-0120-C066#MAS	10"LCD HOR 270X520 STD COL SYM	\$9,563	A02B-0120-H011	PART PROGRAM MEMORY A-80M MAX	\$493
A02B-0120-C066#TAR	10"LCD HOR 270X520 STD COL ENG	\$9,563	A02B-0120-H012	PART PROGRAM MEMORY B-320M MAX	\$740
A02B-0120-C066#TAS	10"LCD HOR 270X520 STD COL SYM	\$9,563	A02B-0120-H013	PART PROGRAM MEMORY C-640M MAX	\$1,651
A02B-0120-C066#TFR	10"LCD HOR 270X520 STD COL ENG	\$9,563	A02B-0120-H014	PART PROG MEMORY D-1280M MAX	\$2,790
A02B-0120-C066#TFS	10"LCD HOR 270X520 STD COL SYM	\$9,563	A02B-0120-H016	PART PROGRAM MEMORY 5120M	\$9,507
A02B-0120-C067#MAR	10"LCD VRT 410X380 STD COL ENG	\$9,563	A02B-0120-H020	SPDL IF CKT A SERIAL ONLY	\$157
A02B-0120-C067#MAS	10"LCD VRT 410X380 STD COL SYM	\$9,563	A02B-0120-H021	SPDL IF CKT B SER & ANALOG SUB	\$291
A02B-0120-C067#TAR	10"LCD VRT 410X380 STD COL ENG	\$9,563	A02B-0120-H029	NO SPINDLE CONTROL 16-PA	\$164
A02B-0120-C067#TAS	10"LCD VRT 410X380 STD COL SYM	\$9,563	A02B-0120-H030	PMC-RB CONT B	\$1,692
A02B-0120-C067#TFR	10"LCD VRT 410X380 STD COL ENG	\$9,563	A02B-0120-H031	PMC-RB CONT A	\$1,614
A02B-0120-C067#TFS	10"LCD VRT 410X380 STD COL SYM	\$9,563	A02B-0120-H032	PMC-RB2 CNTL CKT W I/O LINK	\$1,692
A02B-0120-C071#MA	14" CRT H 370X520 STD COLOR PB	\$4,030	A02B-0120-H033	USE A02B-0120-H035 WHEN OUT	\$1,614
A02B-0120-C071#MC	14" CRT/MDI HORZ	\$4,030	A02B-0120-H034	PMC RB2 WITH I/O LINK	\$1,692
A02B-0120-C071#TA	14" CRT H 370X520 STD COLOR PB	\$3,643	A02B-0120-H035	PCB PMC-RB2 W/O I/O LINK	\$1,614
A02B-0120-C071#TAS	14" CRT/MDI HORZ STD COLOR CSA	\$3,668	A02B-0120-H039	NO PMC-RB CTRL CKT	\$128
A02B-0120-C071#TF	14" CRT V 370X520 STD COLOR PB	\$4,030	A02B-0120-H040	CHAR DISP CKT A-FOR 9" CRT	\$280
A02B-0120-C072#MA	14" CRT V 450X400 STD COLOR PB	\$4,030	A02B-0120-H041	CHAR DISP CKT C FOR 14" CRT	\$280
A02B-0120-C072#MC	14" CRT/MDI VERT.	\$3,643	A02B-0120-H042	CHAR DISP CKT B-FOR 10" LCD	\$280
A02B-0120-C072#TA	14" CRT V 450X400 STD COLOR PB	\$4,030	A02B-0120-H111	MAIN CPU BD 2 AXES SELF LEARN	\$4,372
A02B-0120-C072#TF	14" CRT V 450X400 STD COLOR PB	\$4,030	A02B-0120-H112	MAIN CPU BD 4 AXES SELF LEARN	\$5,419
A02B-0120-C076#MAR	14" CRT H 370X520 STDPB COL ENG	\$3,643	A02B-0120-H180#MKP3	NAMEPLATE LEBLOND-MAKINO	\$1
A02B-0120-C076#MAS	14" CRT H 370X520 STDPB COL SYM	\$3,643	A02B-0120-H183#MKP3	NAMEPLATE-MAKINO 16MB/MMCIV	\$1
A02B-0120-C076#TAR	14" CRT H 370X520 STDPB COL ENG	\$3,643	A02B-0120-H191	NAMEPLATE GEFANUC 9"	\$1
A02B-0120-C076#TAS	14" CRT H 370X520 STDPB COL SYM	\$3,643	A02B-0120-H193	NAMEPLATE S16T HRZ 9.5 LCD	\$1
A02B-0120-C076#TFR	14" CRT H 370X520 STDPB COL ENG	\$3,643	A02B-0120-H195	NAMEPLATE 14" CRT/MDI GE FANUC	\$1
A02B-0120-C076#TFS	14" CRT H 370X520 STDPB COL SYM	\$3,643	A02B-0120-H197	NAMEPLATE S16T VRT 9.5 LCD	\$1
A02B-0120-C077#MAR	14" CRT V 450X400 STDPB COL ENG	\$3,643	A02B-0120-H199	NAMEPLATE GE FANUC S16-T	\$1
A02B-0120-C077#MAS	14" CRT V 450X400 STDPB COL SYM	\$3,643	A02B-0120-J011	CRT CONTROL	\$280
A02B-0120-C077#TAR	14" CRT V 450X400 STDPB COL ENG	\$3,643	A02B-0120-J020	OPTION 2D BOARD A	\$3,916
A02B-0120-C077#TAS	14" CRT V 450X400 STDPB COL SYM	\$3,643	A02B-0120-J025	OPT 2D - CRT DISPLAY CONTROL A	\$280
A02B-0120-C077#TFR	14" CRT V 450X400 STDPB COL ENG	\$3,643	A02B-0120-J026	OPT 2D - CRT DISPLAY CONTROL B	\$280
A02B-0120-C077#TFS	14" CRT V 450X400 STDPB COL SYM	\$3,643	A02B-0120-J030	OPT-1 BD C GRAPHICS	\$1,236
A02B-0120-C081#MA	OBSLT, USE A02B-0200-C101#MBR	\$3,097	A02B-0120-J032	OPT-1 BD E GRAPHICS & COMMUN.	\$2,277
A02B-0120-C081#TA	OBSLT, USE A02B-0200-C101#TBR	\$3,415	A02B-0120-J033	OPT-1 BD D GRAPHICS & COMMUN.	\$2,186
A02B-0120-C081#TF	PDP / MDI 9" HZ 200X520 MONO	\$3,811	A02B-0120-J034	OPT-1BD A COMMUNICATION FUNC	\$1,364
A02B-0120-C091	PCB FOR PDP/MDI 10" HORZ	\$4,594	A02B-0120-J035	OPT-1 BD DNC-1 COMMUNICATION	\$1,364
A02B-0120-C092	PCB FOR PDP/MDI 10" VERT	\$6,861	A02B-0120-J036	OPT-1 BD GRAPHICS & DNC-1	\$2,459
A02B-0120-C093	PCB FOR PDP/MDI 10"(AUTOSHOT)	\$5,100	A02B-0120-J040	GRAPHICS PROCESSOR A W/O CAPII	\$392
A02B-0120-C094	PCB FOR PDP/MDI 10"(AUTOSHOT)	\$5,100	A02B-0120-J041	GRAPHICS PROCESSOR B W/ CAPII	\$426
A02B-0120-C111	9" CRT MONO 200X260	\$1,047	A02B-0120-J043	CHAR DISPLAY CKT E W/ MMC-III	\$280
A02B-0120-C112#CS	9" CRT, COLOR, SEP, CSA	\$2,438	A02B-0120-J044	CHAR DISPLAY CKT F W/ MMC-III	\$280
A02B-0120-C113	PDP UNIT FOR S-16	\$2,186	A02B-0120-J045	CRT DISPLAY CONTROL CIRCUIT 9"	\$280
A02B-0120-C121	CAPACITOR	\$261	A02B-0120-J047	CRT DISPLAY CONTROL CIRCUIT 10"	\$280
A02B-0120-C121#MA	MDI UNIT SMALL 9"	\$200	A02B-0120-J050	OPT-2 BD A 5&6TH AXES W/O RISC	\$1,737
A02B-0120-C121#MAR	9" MDI SEP 200X175 SMALL ENG	\$182	A02B-0120-J051	OPT-2 BD B 5-8TH AXES W/O RISC	\$2,778
A02B-0120-C121#TA	9" MDI SEPARATE 200X175 SMALL	\$200	A02B-0120-J053	OPT-2 BD D 5&6TH AXIS W/ RISC	\$6,193
A02B-0120-C121#TAR	9"MDI SEP 200X175 SMALL ENG	\$182	A02B-0120-J054	OPT-2 BD E 5-8TH AXES W RISC	\$7,286
A02B-0120-C121#TAS	9"MDI SEP 200X175 SMALL SYM	\$182	A02B-0120-J056	RISC BOARD	\$10,473
A02B-0120-C122#MAR	9"MDI SEP 200X260 STANDRD ENG	\$239	A02B-0120-J060	OPT-2 BD A - AXES CNTL 5,6	\$1,737
A02B-0120-C122#MAS	9"MDI SEP 200X260 STANDRD SYM	\$273	A02B-0120-J061	OPT-2 BD B-AXES CNTL 5,6,7,8	\$2,778
A02B-0120-C122#TA	MDI UNIT 9"	\$273	A02B-0120-J062	OPT-2 BD C ANALOG I/O OR HS DI	\$733
A02B-0120-C122#TAR	9"MDI SEP 200X260 STANDRD ENG	\$273	A02B-0120-J063	OPT-2 BD D AX CNTL 5,6 W/ RISC	\$6,193
A02B-0120-C122#TAS	9"MDI SEP 200X260 STANDRD SYM	\$273	A02B-0120-J064	OPT-2 BD E AX CNTL 5-8 W/ RISC	\$7,286
A02B-0120-C131#TAR	USE A02B-0120-C132#TAR WHEN OUT	\$6,147	A02B-0120-J065	OPT-2 BD F A/I/O, HS DI W/ RISC	\$5,282
A02B-0120-C132#MAR	8.4"LCD/MDI SML KEY FOR M ENG	\$6,147	A02B-0120-J066	OPT-2 BOARD	\$2,022
A02B-0120-C133#TAR	8.4"LCD/MDI SML KEY FOR T ENG	\$6,147	A02B-0120-J070	OPT-2 BD A ANALOG I/O	\$364
A02B-0120-C135#MAR	8.4"LCD/MDI FUL KEY FOR M ENG	\$6,330	A02B-0120-J071	HIGH SPEED DI-ON OPT-2 BD	\$364
A02B-0120-C135#MAS	8.4"LCD/MDI FUL KEY FOR M SYM	\$6,330	A02B-0120-J072	OPT-2 BD C ANALOG I/O & HS DI	\$364
A02B-0120-C135#TAR	8.4"LCD/MDI FUL KEY FOR T ENG	\$6,147	A02B-0120-J073	OPT 2 ANALOG INPUT FOR TRACING	\$355
A02B-0120-C135#TAS	8.4"LCD/MDI FUL KEY FOR T SYM	\$6,147	A02B-0120-J079	SPINDLE CNTL CKT - ON OPT-2BD	\$95
A02B-0120-C150	TEACH PENDANT FOR LR-0	\$1,002	A02B-0120-J080	OPT-3 BD A-CAPII ONLY	\$2,133
A02B-0120-C151	TEACH PENDANT FOR LR-1	\$1,002	A02B-0120-J081	OPT 3 BD B PMC-RC ONLY	\$1,311
A02B-0120-C160	LADDER EDITOR MODULE	\$1,607	A02B-0120-J082	OPT-3 BD C-CAPII & PMC-RC	\$2,983
A02B-0120-C163	PUNCH PANEL .5M CABLE	\$228	A02B-0120-J083	MPC-X PMC-RC	\$949
A02B-0120-C170	CRT / MDI SWITCH	\$546	A02B-0120-J091	CAPII MAIN MEMORY ON OPT-3BD	\$199
A02B-0120-C181	PUNCH PANEL-80MM X 125MM, 1M	\$182	A02B-0120-J095	CAPII SUB MEMORY -ON OPT-3 BD	\$1,327
A02B-0120-C182	PUNCH PANEL-80MM X 125MM, 2M	\$182	A02B-0120-J101	PMC-RC CTRL CKT - I/O LINK IF	\$417
A02B-0120-C183	PUNCH PANEL-80MM X 125MM, 5M	\$182	A02B-0120-J102	OPT 3 BD PMC-RC3 CONTROL CKT	\$417
A02B-0120-C191	PUNCH PANEL - 40MM X 125MM, 1M	\$182	A02B-0120-J105	ASSEMBLY	\$280
A02B-0120-C192	PUNCH PANEL - 40MM X 125MM, 2M	\$182	A02B-0120-J106	PMC CONTROL RAM 128K	\$351
A02B-0120-C193	PUNCH PANEL - 40MM X 125MM, 5M	\$182	A02B-0120-J111	PMC WORK RAM	\$583
A02B-0120-C202	EXTENDER BOARD S-16	\$303	A02B-0120-J112	PMC WORK RAM	\$747
A02B-0120-C211	ADAPTER FOR SERVO TEST BOARD	\$77	A02B-0120-J113	PMC WORK RAM	\$1,002
A02B-0120-C251	DETACHABLE CRT/MDI UNIT	\$2,181	A02B-0120-J121	COMMUNICATION CONTROL	\$158
A02B-0120-C252	DETACHABLE CRT/MDI UNIT	\$2,181	A02B-0120-J125	PART PROGRAM MEMORY 80M	\$396



# A02B-0120-J126

Part Number	Description	Price	Part Number	Description	Price
A02B-0120-J126	PART PROG MEMORY 160M	\$540	A02B-0120-K805	FDBK CBL SR40K/INC ELB 16/18	\$209
A02B-0120-J130	DI 40/DO 40 W/O HI SPEED SKIP	\$449	A02B-0120-K806	CABLE INCR. PULSE CODER 14M	\$191
A02B-0120-J131	DI 80/DO 56 W/O HI SPEED SKIP	\$745	A02B-0120-K807	PULSE CODER CABLE	\$181
A02B-0120-J132	DI 104/DO 72 W/O HI SPEED SKIP	\$924	A02B-0120-K809	BATT CBL, SEP ABS PULSE CODER	\$58
A02B-0120-J133	DI 156/DO 120 W/O HI SPEEDSKIP	\$1,639	A02B-0120-K810	CBL S16 MDI SIGNAL 5M	\$99
A02B-0120-J134	I/O CARD SINK TYPE D	\$540	A02B-0120-K811	CABLE 5M - CRT VIDEO SIGNAL	\$99
A02B-0120-J135	I/O SINK TYPE D (80/56)	\$836	A02B-0120-K812	CABLE 5M - LCD VIDEO SIGNAL	\$209
A02B-0120-J136	I/O CARD G - DI 104/DO 72	\$1,015	A02B-0120-K815	CABLE CRT VIDEO SIGNAL 5M	\$186
A02B-0120-J137	I/O CARD H - DI 156/DO 120	\$1,730	A02B-0120-K816	CABLE 5M VIDEO SIGNAL 10" LCD	\$186
A02B-0120-J138	I/O CARD HIGH SPEED SKIP ONLY	\$546	A02B-0120-K817	CABLE VIDEO (CE)	\$248
A02B-0120-J140	I/O CARD DI=40 DO=40	\$1,257	A02B-0120-K818	CBL S16 VIDEO LCD / 14" CRT 5M	\$220
A02B-0120-J141	I/O CARD DI=80 DO=56	\$1,730	A02B-0120-K819	CBL S16 VIDEO 9" CRT 5M	\$202
A02B-0120-J142	I/O CARD DI=104 DO=72	\$1,913	A02B-0120-K820	CBL S16 MONO CRT +24V 5M	\$20
A02B-0120-J144	I/O CARD DI/DO=40 W HI SPD DI	\$1,330	A02B-0120-K821	CBL S16 COLOR CRT 200VAC 5M	\$35
A02B-0120-J145	I/O CRD DI=80 DO=56 HI SPD DI	\$1,803	A02B-0120-K822	CABLE 5M-200VAC LCD/CNTRL PWR	\$59
A02B-0120-J146	I/O CARD 104/72 W HI SPD DI	\$1,967	A02B-0120-K823	CBL S16 LCD +24V 5M (CE)	\$41
A02B-0120-J190	OPT-2 BD G 5&6TH SLC W/O RISC	\$3,552	A02B-0120-K830	CBL S16 ONOFF 9"/10" CRTMDI 5M	\$41
A02B-0120-J191	OPT-2 BD H 5&6TH SLC W/O RISC	\$4,599	A02B-0120-K831	CBL S16 ON/OFF 14" CRT/MDI 5M	\$39
A02B-0120-J199	BLANK FACEPLATE FOR EMPTY SLOT	\$26	A02B-0120-K841	CABLE, 3 MPG TO CNC/JA3 (7M)	\$133
A02B-0120-J200	MAIN 486 CPU MMC-II 15-B	\$2,960	A02B-0120-K842	CBL I/O LINK SIGNAL K1X 5M	\$94
A02B-0120-J201	MMC-II BD (386 CPU)	\$2,960	A02B-0120-K843	CBL I/O LINK POWER +24V 5M	\$29
A02B-0120-J202	MMC CPU	\$2,960	A02B-0120-K844	CBL S16 SP CMD ELEC/OPT 1M	\$55
A02B-0120-J205	CO-PROCESSOR	\$1,935	A02B-0120-K845	CBL S16 CNTRL PWR 200VAC 7M	\$114
A02B-0120-J206	MMC-II 486 MAIN CPU	\$4,076	A02B-0120-K846	HDD POWER CABLE	\$26
A02B-0120-J210	MAIN MEMORY	\$692	A02B-0120-K847	CABLE, 1 MPG TO CNC/JA3 (7M)	\$106
A02B-0120-J211	MAIN MEMORY	\$1,423	A02B-0120-K848	CABLE, 2 MPG TO CNC/JA3 (7M)	\$98
A02B-0120-J212	MAIN MEMORY	\$2,152	A02B-0120-K861	LR-1 MECH UNIT CONN CABLES 4M	\$1,116
A02B-0120-J213	MAIN MEMORY	\$2,837	A02B-0120-K862	CABLE LR-1 7M MECHANICAL UNIT	\$1,321
A02B-0120-J214	MAIN MEMORY FOR MMC-II 8MB	\$3,506	A02B-0120-K863	MECH. UNIT CONN. CABLE 4M	\$1,116
A02B-0120-J220	RAM FILE 256KB	\$442	A02B-0120-K864	MECH. UNIT CONN. CABLE 4M	\$1,321
A02B-0120-J221	RAM FILE 512KB	\$1,229	A02B-0120-K871	WORK FEEDER CONN CABLE 4M	\$159
A02B-0120-J222	RAM FILE 1MB	\$2,004	A02B-0120-K872	CABLE WORK LOADER 7M	\$182
A02B-0120-J223	RAM FILE 2MB	\$6,535	A02B-0120-K873	TEACH PENDANT CONN CABLE 10M	\$342
A02B-0120-J224	RAM FILE 4 MB	\$11,976	A02B-0120-K881	CABLE MATL. 10 PAIR 100M	\$642
A02B-0120-J230	ROM FILE 1 MB	\$706	A02B-0120-K882	CABLE MATL. 3 PAIR + 6, 100M	\$642
A02B-0120-J231	ROM FILE 2MB	\$1,371	A02B-0120-K883	CABLE 6PAIR 100M - 0.3 SQ MM	\$824
A02B-0120-J232	ROM FILE 3 MB	\$2,076	A02B-0120-K884	CABLE 6PAIR 100M - 0.08 SQ MM	\$824
A02B-0120-J233	ROM FILE 4 MB	\$2,732	A02B-0120-K885	CABLE COAXIAL COAX X5 100M	\$1,876
A02B-0120-J240	GRAPHIC CONTROL 348KB	\$1,425	A02B-0120-K886	CABLE - FLAT 50 CONDUCTOR 61M	\$567
A02B-0120-J241	GRAPHIC CONTROL 768KB	\$1,607	A02B-0120-K887	CABLE - FLAT 20 CONDUCTOR 61M	\$218
A02B-0120-J242	GRAPHIC CONTROL 768KB	\$2,065	A02B-0120-K888	CABLE COAXIAL X5 50M	\$3,643
A02B-0120-J245	GRAPHIC CNTRL BD C FOR MMC-II	\$2,065	A02B-0121-H191	NAMEPLATE 9" CRT/MDI GE FANUC	\$1
A02B-0120-J262	RAM FILE 1MB MMC-II	\$1,009	A02B-0121-H193	NAMEPLATE S16M HRZ 9.5 LCD	\$1
A02B-0120-J263	RAM FILE 2MB MMC-II	\$1,594	A02B-0121-H195	NAMEPLATE GE FANUC	\$1
A02B-0120-J270	OSI ETHERNET PC BD	\$4,098	A02B-0121-H197	NAMEPLATE S16M VRT 9.5 LCD	\$1
A02B-0120-J271	OSI ETHERNET PC BD	\$4,098	A02B-0121-H199	NAMEPLATE GE FANUC S16-M	\$1
A02B-0120-K101	SPARE FUSE FOR PSU-A	\$22	A02B-0121-K820#D	12 PIN CONNECTOR BLOCK	\$14
A02B-0120-K102	SPARE FUSE FOR PWR SUPPLY-A1	\$22	A02B-0122-C001	CRT/MDI UNIT	\$1,219
A02B-0120-K103	SPARE FUSE FOR PWR SUPPLY-B1	\$21	A02B-0122-H001	PWR MATE B SUB PCB CRT ANLG SP	\$207
A02B-0120-K104	SPARE FUSE FOR 10" LCD/MDI	\$12	A02B-0122-H002	PWR MATE B SUB PCB CRT SRL SPD	\$207
A02B-0120-K105	SPARE BACKLIGHT FOR LCD/MDI	\$949	A02B-0122-J102	NAMEPLATE GE FANUC	\$1
A02B-0120-K106	SPARE LITHIUM BAT FOR MEMORY	\$52	A02B-0122-K201	PWR MATE B/C KEY SHEET	\$50
A02B-0120-K107	FUSE FOR OPER'S PANEL, SPARE	\$6	A02B-0122-K211	SOFT-KEY KEY-SHEET PWR MATE B	\$16
A02B-0120-K110#MKP3	NAMEPLATE LEBLOND-MAKINO	\$8	A02B-0123-H011	P.P. MEM SUB CPU A-80M MAX	\$396
A02B-0120-K115#B	KEYSHEET SYMBOLIC (CE)	\$24	A02B-0123-H012	P.P. MEM SUB CPU B-320M MAX	\$594
A02B-0120-K124	KEYSHEET FOR FTS STD OP PNL,CE	\$118	A02B-0123-H013	P.P. MEM SUB CPU C-640M MAX	\$1,327
A02B-0120-K125	KEYSHEET, FTS STD OP PNL, CE	\$118	A02B-0123-H014	P. P. MEM SUB CPU D-1280M MAX	\$2,243
A02B-0120-K170	OPER PNL CONN UNIT A 64DI/32DO	\$911	A02B-0123-H061	OPT-2 BD 2 AXES - CNTL 5,6	\$3,347
A02B-0120-K171	OPER PNL CONN UNIT B 96DI/64DO	\$1,275	A02B-0123-H062	OPT-2 BD 4 AXES - CNTL 5,6,7,8	\$4,394
A02B-0120-K301	HONDA CONNECTOR	\$10	A02B-0123-H063	OPT-2 BD 2 AXES	\$3,347
A02B-0120-K302	CONN HONDA 20PIN FEM IDC	\$10	A02B-0123-H064	OPT-2 BD 4 AXES	\$4,394
A02B-0120-K303	HIROSE 15 PIN CONNECTOR	\$12	A02B-0123-H065	OPT-2 BD 2 AXES SELF LEARN	\$5,168
A02B-0120-K305	CONN HIROSE 20PIN FEM SOLDER	\$10	A02B-0123-H066	OPT-2 BD 4 AXES SELF LEARN	\$6,216
A02B-0120-K321	CONNECTOR AND PINS	\$3	A02B-0123-H071	HIGH SPEED DIG INPUT	\$86
A02B-0120-K322	CONNECTOR AND PINS	\$4	A02B-0123-H072	ANALOG I/O AND HIGH-SPEED DI	\$369
A02B-0120-K323	CONNECTOR AND PINS	\$2	A02B-0123-H074	NO ANLOG I/O AND HIGH-SPEED DI	\$95
A02B-0120-K324	CONNECTOR AND PINS	\$2	A02B-0123-H075	SPDL CNTL CKT A-SERIAL ONLY	\$157
A02B-0120-K341	TERMINALS, OPER'S PANEL, SPARE	\$28	A02B-0123-H076	SPDL CNTL CKT B-SER&ANALOG SUB	\$285
A02B-0120-K342	CONN HIROSE FLAT CABLE 50PIN	\$4	A02B-0123-H077	SPDL CNTL CKT C-ANALOG ONLY	\$226
A02B-0120-K343	CONN HIROSE FLAT CBL 20 PIN	\$2	A02B-0123-H079	OPT-2 BD NO SPDL CTRL CKT	\$95
A02B-0120-K391	IDC TOOL KIT HONDA PCR CONN	\$4,098	A02B-0123-J031	ADDITIONAL GRAPHICS CNTRL CKT	\$394
A02B-0120-K395	AMP HAND CRIMPING TOOL	\$2,058	A02B-0123-J079	NO SPINDLE CNTL CKT - SUB CPU	\$95
A02B-0120-K396	AMP EXTRACTION TOOL	\$186	A02B-0124-C001	CRT/MDI UNIT PWR MATE C	\$1,594
A02B-0120-K502	RAM MODULE FOR DEBUGGING PMC	\$396	A02B-0124-C010	PDP / MDI UNIT	\$2,914
A02B-0120-K503	RAM MODULE FOR PMC-RC DEBUG	\$2,243	A02B-0124-D001	CRT LINK TERMINAL	\$11
A02B-0120-K510	ROM FOR PMC-RC,LADDER,MACRO EX	\$118	A02B-0124-D002	CRT LINK INTERMEDIATE	\$90
A02B-0120-K511	ROM PMC-RC, LAD&C128, MACRO EX	\$209	A02B-0124-H010	I/O CARD (INTERNL) DI=32 DO=24	\$380
A02B-0120-K512	ROM PMC-RC,LAD&C384,MACRO EX	\$385	A02B-0124-J003	SERIAL SPNDL & ANALOG MODULE	\$205
A02B-0120-K513	ROM PMC-RC,LAD&C896,MACRO EX	\$649	A02B-0124-J010	RS485 INTRFC&BUILT-IN I/O 16/8	\$380
A02B-0120-K800	CBL VCU CMD IF-A/B PCR-PCR 5M	\$101	A02B-0124-K001	CABLE CLAMPS	\$29
A02B-0120-K801	CBL VCU CMD IF-A PCR-MR20 5M	\$156	A02B-0124-K101	SPARE PARTS (FUSE)	\$6
A02B-0120-K802	FDBK CBL ABS 1MMSR STR 16/18	\$287	A02B-0124-K102	SPARE FUSE - CRT/MDI	\$8
A02B-0120-K803	FDBK CBL ABS 1MMSR ELB 16/18	\$387	A02B-0124-K103	SPARE FUSE - I/O	\$6
A02B-0120-K804	CBL FDBK SR40K/INC STR-PCR 14M	\$204	A02B-0124-K300	CONN FOR FLAT CABLE, 34 PIN	\$2

RENEWAL PARTS  
PRICING

D-10



FANUC CNC Parts

Part Number	Description	Price	Part Number	Description	Price
A02B-0124-K809	CABLE BATTERY ABSL PULS CDR 5M	\$35	A02B-0132-H070	OPT-2C BD SERIAL SPINDLE A	\$157
A02B-0124-K811	CBL CRT LINK W/ SBS 5M	\$53	A02B-0132-H071	SPINDLE INTERFACE - C	\$285
A02B-0124-K812	CBL CRT LINK W/ SBS 10M	\$78	A02B-0132-H072	SPINDLE INTERFACE - D	\$226
A02B-0124-K813	CBL CRT LINK W/O SBS 50CM	\$31	A02B-0132-H074	OPT-2C BD NO SPINDLE INTERFACE	\$95
A02B-0124-K814	CBL CRT LINK W/O SBS 5M	\$49	A02B-0135-C222	S/G OPERATOR'S PANEL	\$321
A02B-0124-K815	CBL CRT LINK W/O SBS 10M	\$74	A02B-0135-H122	SPINDLE AMP (FTS)	\$9,381
A02B-0124-K820	CBL I/O LINK SIGNAL K1X 1M	\$33	A02B-0135-H431-K1	CABLE KIT	\$455
A02B-0124-K821	CABLE FOR 1 MPG 7M	\$58	A02B-0146-K802	CABLE	\$201
A02B-0124-K822	CBL PWRMATE SP CMD ELEC/OPT 1M	\$33	A02B-0160-C001	TEACH PENDANT	\$4,598
A02B-0124-K823	CABLE, POSITION CODER SIGNAL	\$137	A02B-0160-C002	EMERGENCY CONTROL	\$460
A02B-0124-K830	CBL PWRMATE CRT +24V 5M	\$17	A02B-0160-J001	LOADER CONTROL,2-AX	\$2,823
A02B-0124-K831	CBL 24V PWR SUP I/O&I/O M-A 5M	\$17	A02B-0160-J002	LOADER CONTROL 4 AXES	\$3,438
A02B-0124-K840	CABLE INTERNAL I/O 30 CM	\$18	A02B-0160-J003	LOADER CONTROL,2-AX	\$2,823
A02B-0124-K841	CABLE INTERNAL I/O 50 CM	\$20	A02B-0160-J004	LOADER CONTROL,4-AX	\$3,438
A02B-0124-K842	CABLE INTERNAL I/O 1M	\$36	A02B-0160-J030	PMC CONTROL WITH I/O LINK	\$204
A02B-0124-K861	CABLE +24V PWR SUPPLY 500mm	\$21	A02B-0160-J031	PMC CONTROL W/O I/O LINK	\$128
A02B-0124-K871	CBL CRT,PDP VIDEO SIG 500MM	\$112	A02B-0160-K001	CABLE,T.P.,L-10M	\$351
A02B-0124-K880	FLAT CABLE, 34 PIN	\$417	A02B-0161-C051	HDD	\$1,302
A02B-0125-H191	NAMEPLATE GE FANUC 9" 16-PA	\$1	A02B-0161-J012	RS 232-C MODULE	\$128
A02B-0125-H193	NAMEPLATE GEF 10" HORZ 16-PA	\$1	A02B-0161-J013	RS 232-C MODULE	\$182
A02B-0125-H195	NAMEPLATE GEFANUC 14"	\$1	A02B-0161-J041	DRAM MODULE 1.5MB	\$182
A02B-0125-H197	NAMEPLATE GEF 10" VERT 16-PA	\$1	A02B-0161-J042	DRAM MODULE 2.5MB	\$364
A02B-0128-H191	NAMEPLATE GEFANUC 9"	\$1	A02B-0161-J043	DRAM MODULE 3.5MB	\$546
A02B-0129-C005	RACK, 3 SLOT	\$421	A02B-0161-J044	DRAM MODULE 4.5MB	\$729
A02B-0129-C010	BACK PLANE 4 SLOT MMCIV	\$808	A02B-0161-J046	DRAM MODULE 6.0MB	\$1,093
A02B-0130-H001	MAIN CPU BOARD 2 AXIS	\$2,231	A02B-0161-J048	DRAM MODULE 8.0MB	\$1,457
A02B-0130-H002	MAIN CPU BOARD 4 AXIS	\$2,823	A02B-0161-J061	RAM MODULE 128KB	\$182
A02B-0130-H003	MAIN CPU BD 2 AXIS & GRAPHICS	\$4,121	A02B-0161-J062	RAM MODULE 256KB	\$273
A02B-0130-H004	MAIN CPU & GRAPHIC BOARD 4 AX	\$4,713	A02B-0161-J071	RAM MODULE 1MB	\$364
A02B-0130-H005	MAIN CPU BOARD 2 AXIS	\$2,231	A02B-0161-J072	RAM MODULE 2MB	\$729
A02B-0130-H006	MAIN CPU BOARD	\$2,823	A02B-0161-J081	FLASH ROM MODULE 1MB	\$364
A02B-0130-H007	MAIN CPU BD 2 AXIS & GRAPHICS	\$4,121	A02B-0161-J082	FLASH ROM MODULE 2MB	\$729
A02B-0130-H008	MAIN CPU BD 2 AXIS & GRAPHICS	\$4,713	A02B-0161-J083	FLASH ROM MODULE 3MB	\$1,093
A02B-0130-H011	PART PROGRAM MEMORY A-80M MAX	\$493	A02B-0161-J084	FLASH ROM MODULE 4MB	\$1,275
A02B-0130-H012	PART PROGRAM MEMORY B-320M MAX	\$740	A02B-0161-J086	FLASH ROM MODULE 6MB	\$1,457
A02B-0130-H013	PART PROG MEMORY C - 640M MAX	\$1,651	A02B-0161-K810	VIDEO CABLE FOR CNC	\$95
A02B-0130-H014	PART PROG MEMORY D - 1280M MAX	\$2,790	A02B-0162-C001	RACK 15-B	\$619
A02B-0130-H020	SPDL IF CKT A SERIAL ONLY	\$157	A02B-0162-C002	RACK 15-B	\$556
A02B-0130-H021	SPDL IF CKT B SER & ANALOG SUB	\$291	A02B-0162-C011	CONTROL RACK 3 SLOTS	\$542
A02B-0130-H022	SPDL IF CKT C ANALOG ONLY	\$226	A02B-0162-C012	CONTROL RACK 4 SLOTS	\$273
A02B-0130-H030	PMC-RA1 CNTL CKT W/ I/O LINK	\$204	A02B-0162-C013	RACK W/O SUB-BUS 6 SLOT	\$471
A02B-0130-H031	PMC-RA1 CNTL CKT W/O I/O LINK	\$128	A02B-0162-C014	RACK W/O SUB-BUS 8 SLOT	\$1,050
A02B-0130-H032	PMC-RA2 CNTL CKT W/ I/O LINK	\$1,692	A02B-0162-C018	RACK 15-B	\$1,134
A02B-0130-H033	USE A02B-0130-H035 WHEN OUT	\$1,614	A02B-0162-C019	RACK 15-B	\$1,387
A02B-0130-H034	PMC-RA2/RA3	\$1,692	A02B-0162-C022	RACK 15-B	\$644
A02B-0130-H035	PCB PMC-RA2/RA3 W/O I/O LINK	\$1,614	A02B-0162-C024	RACK 8 SLOT	\$1,111
A02B-0130-H040	CHAR DISP CKT A - FOR 9" CRT	\$280	A02B-0162-C029	SERIES 15B BASI	\$1,268
A02B-0130-H041	CHAR DISP CKT C - FOR 14" CRT	\$280	A02B-0162-C032	RACK 4 SLOT W/ SUB BUS	\$738
A02B-0130-H042	CHAR DISP CKT B - FOR 10" LCD	\$280	A02B-0162-C033	RACK WITH SUB-BUS 6 SLOT	\$954
A02B-0130-H101	OBSOLETE, USE A02B-0200-H106	\$747	A02B-0162-C034	RACK 8 SLOT W/ SUB BUS	\$1,095
A02B-0130-H101#CS	POWER SUPPLY UNIT A1 CSA	\$772	A02B-0162-C039	PCB BKPLANE 8SLOT W/SUB	\$2,008
A02B-0130-H102#CS	POWER SUPPLY UNIT B1 CSA	\$1,059	A02B-0162-C041	9" CRT/MDI MONO VERT	\$1,503
A02B-0130-H191	NAMEPLATE 9" CRT/MDI GEF	\$1	A02B-0162-C042	9" CRT/MDI MONO	\$1,503
A02B-0130-H193	NAMEPLATE 10" LCD/MDI GEF HORZ	\$1	A02B-0162-C043	9" CRT SEPARATE MONO	\$1,229
A02B-0130-H195	NAMEPLATE 14" CRT/MDI GEF	\$1	A02B-0162-C045	9" CRT/MDI MONO HORZ STD	\$1,503
A02B-0130-H197	NAME PLT GE FANUC VERT 9.5"	\$1	A02B-0162-C046	9" CRT SEPARATE MONO	\$1,229
A02B-0130-H199	NAMEPLATE GE FANUC S18-TB	\$1	A02B-0162-C062	CRT/MDI 9" MONO	\$3,279
A02B-0130-J125	PART PROGRAM MEMORY 80M	\$396	A02B-0162-C063	CRT SEPARATE 9" MONO	\$3,005
A02B-0130-J126	PART PROGRAM MEMORY 160M	\$540	A02B-0162-C064	9" PDP/MDI,VERT	\$3,279
A02B-0130-J130	I/O CARD A - DI 40/DO 40	\$533	A02B-0162-C065	PDP/MDI 9" MONO HORZ STD	\$3,279
A02B-0130-J131	I/O CARD B - DI 80/DO 56	\$883	A02B-0162-C071	LCD/MDI 10" COLOR VERT STD	\$9,563
A02B-0130-J132	I/O CARD C - DI 104/DO 72	\$1,093	A02B-0162-C072	LCD/MDI 10" COLOR HORZ STD	\$9,563
A02B-0130-J133	I/O CARD D - DI 156/DO 120	\$1,940	A02B-0162-C073	LCD/MDI 10" VERT	\$9,563
A02B-0130-K101	SPARE FUSE FOR PWR SUPPLY A	\$22	A02B-0162-C074	LCD/MDI 10" HORZ.	\$9,563
A02B-0130-K102	SPARE FUSE FOR PWR SUPPLY A1	\$26	A02B-0162-C075	10" LCD/MDI,VERT	\$9,563
A02B-0130-K103	SPARE FUSE FOR PWR SUPPLY B1	\$22	A02B-0162-C076	10" LCD/MDI,HORZ	\$9,563
A02B-0130-K104	SPARE FUSE FOR LCD/MDI	\$12	A02B-0162-C081	PDP/MDI 10" MONO VERT STD	\$5,100
A02B-0130-K105	SPARE BACKLIGHT FOR LCD/MDI	\$949	A02B-0162-C082	PDP/MDI 10" MONO HORZ STD	\$5,100
A02B-0130-K106	SPARE LITHIUM BAT FOR MEMORY	\$41	A02B-0162-C091	CRT/MDI 14" COLOR VERT STD	\$3,643
A02B-0131-H191	NAMEPLATE 9" CDT/MDI GEF	\$1	A02B-0162-C092	CRT/MDI 14" COLOR HORZ STD	\$4,030
A02B-0131-H193	NAMEPLATE S18M HRZ 9.5 LCD	\$1	A02B-0162-C093	CRT/MDI 14" VERT	\$3,643
A02B-0131-H195	NAMEPLATE 14" CRT/MDI GEF	\$1	A02B-0162-C094	CRT/MDI 14" HORZ	\$3,643
A02B-0131-H197	NAMEPLATE S18M VRT 9.5 LCD	\$1	A02B-0162-C095	14" CRT/MDI,VERT	\$3,643
A02B-0131-H199	NAMEPLATE GE FANUC S18-M	\$1	A02B-0162-C096	14" CRT/MDI,HORZ	\$3,643
A02B-0132-H011	OPT-2C BD PART PROG MEM-A 80 M	\$396	A02B-0162-C111	MDI UNIT SEPARATE	\$273
A02B-0132-H012	PART PROG MEMORY B - 320M MAX	\$740	A02B-0162-C121	CRT/MDI 14" COLOR VERT STD	\$4,531
A02B-0132-H013	PART PROG MEMORY C - 640M MAX	\$1,651	A02B-0162-C122	CRT/MDI 14" COLOR HORZ STD	\$4,485
A02B-0132-H014	PART PROG MEMORY D - 1280M MAX	\$2,790	A02B-0162-C131	OBSOL, USE A02B-0163-C331	\$6,147
A02B-0132-H045	CHAR DISPLAY CKT A 9"	\$280	A02B-0162-C132	OBSOL, USE A02B-0163-C332	\$6,147
A02B-0132-H046	CHAR DISPLAY CKT C 14"	\$280	A02B-0162-C133	OBSOL, USE A02B-0163-C333	\$6,147
A02B-0132-H047	CHAR DISPLAY CKT B 10"	\$280	A02B-0162-C134	LCD / MDI 9.5" HORZ COLOR	\$6,147
A02B-0132-H061	OPT-2C BD 2 AXIS W/O GRAPHICS	\$2,004	A02B-0162-C135	LCD/MDI 9.5" VERT	\$6,147
A02B-0132-H062	OPT-2C BD 2 AXES + GRAPHICS	\$4,394	A02B-0162-C136	LCD/MDI 9.5" HORZ	\$6,147
A02B-0132-H063	OPT-2C BD 2 AXIS	\$2,004	A02B-0162-C141	OBSOL, USE A02B-0163-C341	\$6,147



# A02B-0162-C142

Part Number	Description	Price	Part Number	Description	Price
A02B-0162-C142	OBSOL. USE A02B-0163-C342	\$6,147	A02B-0162-H225	NAMEPLATE GE FANUC 150-M	\$1
A02B-0162-C151	HAND-HELD OPER PANEL - BOEING	\$2,020	A02B-0162-H226	NAMEPLATE GE FANUC 150-T	\$1
A02B-0162-H001	MAIN CPU B - STANDARD	\$1,821	A02B-0162-H227	NAMEPLATE GE FANUC 150-TT	\$1
A02B-0162-H002	MAIN CPU A - HIGH SPEED	\$2,186	A02B-0162-J031	OPT 1 BRD A R BUFF OR DNC2	\$1,494
A02B-0162-H003	MAIN CPU BOARD	\$1,821	A02B-0162-J032	OPT 1 BRD B R BUFF W/ HDLC	\$1,494
A02B-0162-H011	PART PROGRAM MEMORY A 40M	\$454	A02B-0162-J033	OPT 1 BRD C GRAPHICS ONLY	\$1,038
A02B-0162-H012	PART PROG MEMORY 80M	\$681	A02B-0162-J034	OPT 1 BRD D GRPH W SOLID MODEL	\$1,494
A02B-0162-H013	PART PROGRAM MEMORY C 320M	\$906	A02B-0162-J035	OPT 1 BRD E GRPH R BUFF / DNC2	\$2,527
A02B-0162-H014	PART PROG MEMORY 1280M	\$2,715	A02B-0162-J036	OPT 1 BRD F D + R BUFF OR DNC2	\$2,527
A02B-0162-H015	PART PROGRAM MEMORY E 1280M	\$2,715	A02B-0162-J037	OPT 1 BRD G GRPH R BUF W/ HDLC	\$2,527
A02B-0162-H016	PART PROGRAM MEMORY F 2560M	\$3,170	A02B-0162-J040	GRAPHIC DSPLY CKT ADD. 10"LCD	\$394
A02B-0162-H017	PART PROGRAM MEMORY G 5120M	\$4,528	A02B-0162-J041	CRT MODULE	\$273
A02B-0162-H021	SV CONTROL CKT A - 2 AXES	\$1,002	A02B-0162-J042	LCD/PDP DISPLAY B 10"	\$273
A02B-0162-H022	SV CONTROL CKT A - 4 AXES	\$2,004	A02B-0162-J043	CRT DISPLAY C 14"	\$273
A02B-0162-H023	AXIS CNTRL 1/2 2 ANALOG	\$1,002	A02B-0162-J044	CRT DISPLAY CKT A	\$273
A02B-0162-H024	AXIS CNTRL 1/4 4 ANALOG	\$2,004	A02B-0162-J045	CRT DISPLAY CKT / 10" LCD	\$273
A02B-0162-H025	AXIS CNTRL 1/4 2 ANALG/2 DIGTL	\$2,004	A02B-0162-J046	DISPLAY CKT C /14" CRT	\$273
A02B-0162-H026	SERVO CNTRL CKT C 2 AXES	\$1,002	A02B-0162-J048	CRT DISPLAY CIRCUIT 10" LCD	\$273
A02B-0162-H027	SERVO CNTRL CKT D 4 AXES	\$1,671	A02B-0162-J049	CRT DISPLAY CIRCUIT 14" CRT	\$273
A02B-0162-H028	ANALOG AXIS BD 1ST & 2ND AXES	\$1,002	A02B-0162-J051	SUB CPU MEMORY 1	\$273
A02B-0162-H029	ANALOG AXIS BD 1ST - 4TH AXES	\$2,004	A02B-0162-J052	SUB CPU MEMORY I	\$455
A02B-0162-H030	ANLG/DGTL AXIS BD 1ST-4TH AXES	\$2,004	A02B-0162-J054	SUB CPU MEMORY 1	\$546
A02B-0162-H031	SPNDL CNTRL CKT A SERIAL	\$364	A02B-0162-J055	SUB CPU MEMORY-1 B	\$546
A02B-0162-H032	SPNDL CNTRL CKT A SERIAL	\$2,643	A02B-0162-J058	SUB CPU MEMORY 1 (2MB)	\$546
A02B-0162-H033	CPU ANALOG SPNDL CNTRL CKT C	\$743	A02B-0162-J061	ADDITIONAL AXIS BOARD	\$911
A02B-0162-H034	SPNDL CNTRL CKT C ANALOG	\$2,530	A02B-0162-J071	SUB CPU	\$2,368
A02B-0162-H035	CPU SERIAL SPNDL CNTRL CKT A	\$364	A02B-0162-J072	SUB CPU	\$2,914
A02B-0162-H036	SPINDLE MODULE,SIC	\$246	A02B-0162-J075	SUB CPU MEMORY-2 B	\$729
A02B-0162-H041	CRT CHAR DISP CKT W/O GRAPHICS	\$273	A02B-0162-J079	SUB CPU MEMORY 2	\$546
A02B-0162-H042	10"LCD DISPLAY	\$273	A02B-0162-J083	ADDL AXIS BD ANLG OUT 2ND SPDL	\$273
A02B-0162-H043	14" CRT DISPLAY	\$273	A02B-0162-J091	ADDL SER COMM FUNC/ANLOGINPUT	\$237
A02B-0162-H044	VGA INTERFACE MODULE	\$348	A02B-0162-J111	AXIS CNTRL CKT A - 5/6 AXES	\$1,002
A02B-0162-H049	CRT CHAR DISP CKT W/ GRAPHICS	\$1	A02B-0162-J112	AXIS CNTRL CKT B - 5 TO 8 AXES	\$2,004
A02B-0162-H052	MAIN MEMORY A - STANDARD CPU	\$546	A02B-0162-J113	AXIS CNTRL 5/6 2 ANALOG	\$1,002
A02B-0162-H053	MAIN MEMORY B - STANDARD CPU	\$1,093	A02B-0162-J114	AXIS CNTRL 5/8 4 ANALOG	\$2,004
A02B-0162-H054	MAIN MEMORY A,8MB	\$2,368	A02B-0162-J115	AXIS CNTRL 5/8 2 ANALG/2 DIGTL	\$2,004
A02B-0162-H068	4MB CONTROL PROGRAM MEMORY	\$1	A02B-0162-J116	ADD'L AXIS CNTRL CKT C 2 AXES	\$1,002
A02B-0162-H069	6MB CONTROL PROGRAM MEMORY	\$1	A02B-0162-J117	ADD'L AXIS CNTRL CKT D 4 AXES	\$2,004
A02B-0162-H071	MAIN MEMORY B 64KB	\$320	A02B-0162-J118	ANALOG AXIS BD 5TH & 6TH AXES	\$1,002
A02B-0162-H081	PMC-NA BOARD	\$1,311	A02B-0162-J119	ANALOG AXIS BD 5TH - 8TH AXES	\$2,004
A02B-0162-H082	PMC-NB BOARD	\$2,459	A02B-0162-J120	ANLG/DGTL AXIS BD 5TH-8TH AXES	\$2,004
A02B-0162-H083	PMC-NA + CAP BOARD	\$1,560	A02B-0162-J123	ADD'L SHELF UNIT 3	\$2,732
A02B-0162-H084	PMC-NB + CAP BOARD	\$2,709	A02B-0162-J124	ADD'L SHELF UNIT 4	\$2,914
A02B-0162-H085	PMC-NB BOARD	\$2,459	A02B-0162-J125	ADD SHELF UNIT 6	\$3,097
A02B-0162-H086	PMC-NB + CAP BOARD	\$2,709	A02B-0162-J133	ADDITIONAL RACK 3 SLOT	\$2,732
A02B-0162-H087	PMC-NB BOARD	\$2,277	A02B-0162-J134	ADDITIONAL RACK 4 SLOT	\$2,914
A02B-0162-H088	PMC-NB + CAP BOARD	\$2,527	A02B-0162-J136	ADD'L SHELF UNIT 6 SLOT	\$3,097
A02B-0162-H089	PMC-NB2 BOARD	\$2,951	A02B-0162-J138	ADD'L SHELF UNIT	\$3,279
A02B-0162-H090	PMC-NB2 + CAP BOARD	\$3,201	A02B-0162-J141	AXIS CPU BOARD	\$364
A02B-0162-H091	PMC CONTROL CIRCUIT	\$291	A02B-0162-J151	PMC MEMORY C/PASCAL 424KB MAX	\$182
A02B-0162-H095	PMC-NB MEM 8K STEPS	\$227	A02B-0162-J152	OPT MEMORY FOR HI LEVEL LANG	\$364
A02B-0162-H096	PMC-NB MEM 24K ST 256K C	\$364	A02B-0162-J155	MEMORY FOR PMC-NB (512KB)	\$182
A02B-0162-H097	PMC-NB MEM 24K ST 1M C	\$546	A02B-0162-J157	MEMORY FOR PMC-NB (1.25MB)	\$364
A02B-0162-H101	POWER SUPPLY UNIT A1	\$881	A02B-0162-J161	POWER ADAPTER 15-B	\$182
A02B-0162-H102	POWER SUPPLY UNIT B1	\$977	A02B-0162-J181	TC BOARD,STANDARD	\$2,960
A02B-0162-H106	POWER SUPPLY B1E	\$1,207	A02B-0162-J182	TC BOARD	\$2,960
A02B-0162-H111	MAIN MEMORY D - HI SPEED CPU	\$1,093	A02B-0162-J184	TC BOARD,EXPANDED	\$3,005
A02B-0162-H112	MAIN MEMORY E - HI SPEED CPU	\$1,639	A02B-0162-J191	OPT 1 BRD H GRPH 9.5 LCD MMC-4	\$1,038
A02B-0162-H122	MAIN CPU A - HIGH SPEED	\$3,552	A02B-0162-J193	OPT 1 BRD J H + R BUFF W/ HDLC	\$2,527
A02B-0162-H123	MAIN CPU BOARD ENHANCED	\$3,279	A02B-0162-J201	CRT DISPLAY CKT 9.5" LCD	\$273
A02B-0162-H131	SUB CPU BOARD	\$1,821	A02B-0162-J211	DISPLAY CKT B ADDITION 15-TTFFB	\$394
A02B-0162-H132	MAIN / SUB CPU	\$2,914	A02B-0162-J231	ADD'L AXIS CNTRL CKT E 2 AXES	\$1,002
A02B-0162-H141	AXIS CPU BOARD	\$1,821	A02B-0162-J232	ADD'L AXIS CNTRL CKT F 4 AXES	\$2,004
A02B-0162-H150	PMC/CAP CAP CNTRL MEMORY A	\$911	A02B-0162-J233	ADD 2 AXES CONTROL	\$1,002
A02B-0162-H151	CAP CONTROL MEMORY B	\$1,093	A02B-0162-J234	ADD 4 AXES CONTROL	\$2,004
A02B-0162-H152	CAP CONTROL MEMORY C	\$1,275	A02B-0162-J235	SERVO MODULE 2A+2D	\$2,004
A02B-0162-H158	PMC/CAP CAP CNTRL MEMORY B	\$2,732	A02B-0162-J311	OSI ETHERNET W/AUI-15-PIN D	\$3,984
A02B-0162-H161	CAP FILE MEMORY	\$1,821	A02B-0162-J312	OSI ETHERNET PC BD 15-B	\$3,984
A02B-0162-H171	MAIN CPU MAIN MEMORY G	\$546	A02B-0162-J321	ENHANCED RISC BOARD	\$4,098
A02B-0162-H172	MAIN CPU MAIN MEMORY H	\$1,093	A02B-0162-K102	KEY SHEET 9" CRT/MDI SMALL	\$85
A02B-0162-H181	NAMEPLATE	\$2,242	A02B-0162-K103	SPARE KEYSHEET FOR 9" SM CRT	\$85
A02B-0162-H201	SERVO CONTROL CIRCUIT E 2 AXES	\$1,553	A02B-0162-K105	KEY SHEET 9" PDP/MDI SMALL	\$90
A02B-0162-H202	SERVO CNTRL CKT F 4 AXES	\$1,671	A02B-0162-K106	SPARE KEYSHEET FOR 9" SM PDP	\$90
A02B-0162-H203	2 AXES CONTROL	\$1,002	A02B-0162-K111	FUSE	\$12
A02B-0162-H204	4 AXES CONTROL	\$2,004	A02B-0162-K112	FUSE SPARE FOR INPUT UNIT	\$12
A02B-0162-H205	SERVO MODULE 2A+2D	\$2,004	A02B-0162-K122	KEY SHEET, SPARE, FOR POP	\$29
A02B-0162-H211	NAME PLATE	\$1	A02B-0162-K301	CONNECTOR FOR PDP 24VDC POWER	\$2
A02B-0162-H212	NAME PLATE	\$1	A02B-0162-K811	CABLE MDI SIGNAL 9"	\$100
A02B-0162-H213	NAME PLATE	\$1	A02B-0162-K821	CONNECTION CABLE	\$133
A02B-0162-H214	NAME PLATE	\$1	A02B-0162-K822	POWER ON/OFF CABLE	\$47
A02B-0162-H215	NAME PLATE	\$1	A02B-0162-K823	INPUT UNIT POWER CABLE 200V	\$82
A02B-0162-H222	NAMEPLATE GE FANUC 10" HORZ	\$1	A02B-0163-C021	PUNCH PANEL	\$264
A02B-0162-H223	NAMEPLATE 15-TB GE FANUC	\$1	A02B-0163-C244	CRT/MDI 9" MONO HORZ STD ENG	\$1,503
A02B-0162-H224	NAMEPLATE 15-TB GE FANUC	\$1	A02B-0163-C245	CRT/MDI 9" MONO HORZ STD ENG	\$1,503

RENEWAL PARTS  
PRICING

D-12



FANUC CNC Parts

Part Number	Description	Price	Part Number	Description	Price
A02B-0163-C301	CRT/MDI 9" MONO HORZ SMALL	\$1,321	A02B-0163-K101	9" CRT/MDI KYSH STD SPARE ENG	\$82
A02B-0163-C302	CRT/MDI 9" SMALL MONO	\$1,321	A02B-0163-K102	9" CRT/MDI KYSH SML M SPARE ENG	\$85
A02B-0163-C313	MDI UNIT SEPARATE - FOR 9" SYM	\$273	A02B-0163-K103	9" CRT/MDI KYSH SML T SPARE ENG	\$85
A02B-0163-C315	SEPARATE MDI UNIT	\$273	A02B-0163-K111	FUSE FOR CE MARK OP PNL	\$6
A02B-0163-C316	MDI UNIT SEP TYPE VERT ENG	\$273	A02B-0163-K121	SYM KEY SHEET 9" CRT/MDI STD	\$82
A02B-0163-C317	MDI UNIT SEP TYPE HORZ ENG	\$273	A02B-0163-K122	9" CRT/MDI KYSH SML M SPARE SYM	\$85
A02B-0163-C318	MDI UNIT SEP TYPE VERT SYM	\$273	A02B-0163-K124	SYM KEY SHEET 9" PDP/MDI STD	\$87
A02B-0163-C319	MDI UNIT SEP TYPE HORZ SYM	\$273	A02B-0163-K127	KEY SHEET	\$94
A02B-0163-C321	CRT/MDI 14" V COL STD ENG (CE)	\$3,643	A02B-0164-H081	SERIES 15B INPUT UNIT	\$911
A02B-0163-C322	CRT/MDI 14" H COL STD ENG (CE)	\$3,643	A02B-0164-H106	CRT / MDI 9" STD.	\$2,049
A02B-0163-C323	CRT/MDI 14" VERT ENG	\$3,643	A02B-0164-J101-K1	CABLE	\$28
A02B-0163-C324	CRT/MDI 14" HORZ ENG	\$3,643	A02B-0166-C001	CRT/MDI UNIT	\$1,594
A02B-0163-C325	CRT/MDI 14" V COL TC-OPT ENG CE	\$3,643	A02B-0166-C010	MDI UNIT, SEPARATE	\$870
A02B-0163-C326	CRT/MDI 14" H COL TC-OPT ENG CE	\$3,643	A02B-0166-C011	MDI UNIT, SEPARATE	\$870
A02B-0163-C332	LCD / MDI 9.5" HORZ COLOR	\$6,147	A02B-0166-C113	SEPARATE PDP UNIT	\$2,688
A02B-0163-C333	LCD / MDI 9.5" VERT COLOR ENG	\$6,147	A02B-0166-C201#R	9" CRT/MDI MONO ENG (CE)	\$1,730
A02B-0163-C334	LCD / MDI 9.5" HORZ COLOR ENG	\$6,147	A02B-0166-C201#S	9" CRT/MDI MONO SYM (CE)	\$1,730
A02B-0163-C341	LCD/MDI 9.5" VERT	\$6,147	A02B-0166-C203#R	CRT/MDI 9" MONO SML ENG (CE)	\$1,730
A02B-0163-C342	LCD/MDI 9.5" HORZ	\$6,147	A02B-0166-C203#S	CRT/MDI 9" MONO SML SYM (CE)	\$1,730
A02B-0163-C352	10.4" LCD/MDI HORZ M/T	\$4,485	A02B-0166-C210#TR	SEPARATE MDI UNIT T ENGLISH	\$870
A02B-0163-C373	LCD/MDI 10.4" COL VERT ENG	\$4,554	A02B-0166-C221#R	CRT/MDI UNIT 32 PIC ENG (CE)	\$2,209
A02B-0163-C374	LCD/MDI 10.4" COL HORZ ENG	\$4,554	A02B-0166-C221#S	CRT/MDI UNIT 32 PIC SYM (CE)	\$2,209
A02B-0163-C383	LCD/MDI 10.4" COL VERT ENG/MMC4	\$4,485	A02B-0166-C222#R	CRT/MDI UNIT 64 PIC ENG (CE)	\$2,400
A02B-0163-C384	LCD/MDI 10.4" COL HORZ ENG/MMC4	\$4,485	A02B-0166-C222#S	CRT/MDI UNIT 64 PIC SYM (CE)	\$2,400
A02B-0163-C444	CRT/MDI 9" MONO VERT STD SYM	\$1,503	A02B-0166-C231#R	SEP MDI UNIT 32 PIC SYM (CE)	\$1,414
A02B-0163-C445	CRT/MDI 9" MONO HORZ STD SYM	\$1,503	A02B-0166-C231#S	SEP MDI UNIT 32 PIC SYM (CE)	\$1,414
A02B-0163-C501	CRT/MDI 9" MONO HORZ SMALL SYM	\$1,321	A02B-0166-C232#R	SEP MDI UNIT 64 PIC ENG (CE)	\$1,630
A02B-0163-C522	CRT/MDI 14" H COL STD SYM (CE)	\$3,643	A02B-0166-C232#S	SEP MDI UNIT 64 PIC SYM (CE)	\$1,630
A02B-0163-C581	10.4" LCD/MDI COL VERT SYM/MMC	\$4,485	A02B-0166-C240	TOUCH PANEL ADAPTOR	\$182
A02B-0163-C582	10.4" LCD/MDI COL HORZ SYM/MMC	\$4,485	A02B-0166-C251	SEPARATE LCD UNIT	\$1,594
A02B-0163-C584	LCD/MDI 10.4" COL HORZ SYM/MMC4	\$4,485	A02B-0166-C261#R	7.2" LCD/MDI UNIT PM-D/H ENG CE	\$2,464
A02B-0163-H003	CONTROL UNIT, 3 SLOT	\$455	A02B-0166-C261#S	7.2" LCD/MDI UNIT PM-D/H SYM CE	\$2,464
A02B-0163-H004	CONTROL UNIT, 4 SLOT	\$638	A02B-0166-C261#TR	7.2" LCD/MDI UNIT MONO T ENG	\$2,464
A02B-0163-H006	CONTROL UNIT, 6 SLOT	\$820	A02B-0166-C271#R	7.2" LCD/MDI DETACH PM-D/H ENG	\$3,103
A02B-0163-H008	CONTROL UNIT, 8 SLOT	\$1,002	A02B-0166-C271#S	7.2" LCD/MDI DETACH PM-D/H SYM	\$3,103
A02B-0163-H013	CONTROL UNIT 3 SLOT W/O SUB BU	\$455	A02B-0166-C291#R	LCD/MDI 8.4" COL PORTABLE, DISPLAY	\$3,279
A02B-0163-H014	CONTROL UNIT 4 SLOT W/O SUB BU	\$638	A02B-0166-C301#R	DPL/MDI (ENGLISH KEY)	\$852
A02B-0163-H016	CONTROL UNIT 6 SLOT W/O SUB BU	\$820	A02B-0166-D003	TOUCH PANEL TERMINAL UNIT	\$11
A02B-0163-H018	CONTROL UNIT 8 SLOT W/O SUB BU	\$1,002	A02B-0166-H011	MEMORY MODULE A (10M)	\$207
A02B-0163-H024	CONTROL UNIT, 4 SLOT	\$656	A02B-0166-H012	MEMORY MODULE B (20M/40M)	\$207
A02B-0163-H026	CONTROL UNIT, 6 SLOT	\$838	A02B-0166-H014	MEM MOD C (20M/40M) MACRO EXE	\$408
A02B-0163-H028	CONTROL UNIT, 8 SLOT	\$1,020	A02B-0166-H020	BUILT-IN I/O C, 32/24, SOURCE	\$380
A02B-0163-H034	CONTROL UNIT 4 SLOT W/O SUB BU	\$656	A02B-0166-H030	PMC-PA1 CONTRL MDL 3000 STEPS	\$137
A02B-0163-H036	CONTROL UNIT 6 SLOT W/O SUB BU	\$838	A02B-0166-H033	PMC-PA3 CONTRL MDL 5000 STEPS	\$137
A02B-0163-H038	CONTROL UNIT 8 SLOT W/O SUB BU	\$1,020	A02B-0166-H100	PROFIBUS BOARD, PM-D	\$1,969
A02B-0163-H101	9" CRT/MDI, MONOCHROME	\$2,049	A02B-0166-H110	GENIUS I/F FOR PWRMATED	\$1,708
A02B-0163-H106	CRT / MDI 9" STD MONO	\$2,049	A02B-0166-J001	SPINDLE CONTROL, ANALOG	\$80
A02B-0163-H141	BATTERY FOR ABS PULSE CODER	\$182	A02B-0166-J011	DISPLAY CONTROL MODULE (CE)	\$182
A02B-0163-H151	PUNCH PANEL, BUILT-IN	\$228	A02B-0166-J012	TOUCH PANEL CONNECTION MODULE	\$182
A02B-0163-J011	CONN UNIT 1 BUILT-IN W/O TERM	\$2,368	A02B-0166-J051	MEMORY MODULE	\$207
A02B-0163-J016	CONN UNIT 1 BUILT-IN W TERM	\$2,368	A02B-0166-J052	MEMORY MODULE	\$408
A02B-0163-J021	CONN UNIT 2 BUILT-IN W TERM	\$2,277	A02B-0166-J060	MEMORY MODULE	\$80
A02B-0163-J031	TAPE READER BUILT-IN W/O REELS	\$2,010	A02B-0166-J061	MEMORY MODULE	\$287
A02B-0163-J036	TAPE READER BUILT-IN W/ REELS	\$3,536	A02B-0166-J071	MEMORY MODULE	\$287
A02B-0163-J041	SERVO ASSEMBLY FOR L1	\$80	A02B-0166-J072	MEMORY MODULE	\$567
A02B-0163-J042	SERVO ASSEMBLY FOR L2	\$69	A02B-0166-J073	MEMORY MODULE	\$159
A02B-0163-J043	SERVO ASSEMBLY FOR M1	\$104	A02B-0166-J080	MEMORY MODULE	\$175
A02B-0163-J044	SERVO ASSEMBLY FOR M2	\$69	A02B-0166-J081	MEMORY MODULE	\$383
A02B-0163-J045	SERVO ASSEMBLY FOR N1	\$106	A02B-0166-K020	I/O CARD (INTERNAL) PM-D	\$510
A02B-0163-J051	SERVO ASSEMBLY FOR L1	\$80	A02B-0166-K701#4076	LADDER EDIT CARD PM-D PA1/PA3	\$394
A02B-0163-J051-K1	CABLE	\$35	A02B-0166-K800	CABLE FOR 2 MPGS, 7M	\$117
A02B-0163-J052	SERVO ASSEMBLY FOR L2	\$69	A02B-0166-K833	PULCO CABLE, L-31M	\$1,015
A02B-0163-J053	SERVO ASSEMBLY FOR M1	\$84	A02B-0166-K840	CABLE, SERIAL SPINDLE ALPHA	\$98
A02B-0163-J053-K1	CABLE	\$33	A02B-0166-K850	CABLE +24V PWR SUPPLY LCD 7M	\$33
A02B-0163-J054	SERVO ASSEMBLY FOR N1	\$87	A02B-0166-K870	LCD VIDEO CABLE	\$102
A02B-0163-J054-K1	CABLE	\$38	A02B-0166-K880	LCD POWER SUPPLY	\$20
A02B-0163-J055	SERVO ASSEMBLY FOR N2	\$69	A02B-0168-C010	DPL / MDI UNIT (CE)	\$549
A02B-0163-J056	SERVO ASSEMBLY FOR O1	\$84	A02B-0168-C011	DPL / MDI UNIT (CE)	\$751
A02B-0163-J059	SERVO ADAPTER	\$157	A02B-0168-C012	DPL / MDI UNIT (CE)	\$708
A02B-0163-J059-K1	CABLE KIT	\$16	A02B-0168-C013	DPL/MDI UNIT WALL MOUNT (CE)	\$592
A02B-0163-J071	SERVO COMMAND CABLE	\$97	A02B-0168-C021	CHECK BOARD	\$151
A02B-0163-J081	MMC ASSEMBLY	\$25	A02B-0168-C051	PUNCH PANEL W/24VDC TERMNL, 1M	\$228
A02B-0163-J091	SERVO COMMAND CABLE 1ST ADD'L	\$129	A02B-0168-C052	PUNCH PANEL W/24VDC TERMNL, 2M	\$228
A02B-0163-J092	SERVO COMMAND CABLE 2ND ADD'L	\$139	A02B-0168-C053	PUNCH PANEL W/24VDC TERMNL, 5M	\$228
A02B-0163-J093	SERVO COMMAND CABLE 3RD ADD'L	\$151	A02B-0168-H102	GE FANUC NAMEPLATE	\$8
A02B-0163-J094	SERVO COMMAND CABLE 4TH ADD'L	\$161	A02B-0168-J111	BATTERY FOR ABSOL P CODER	\$22
A02B-0163-J095	SERVO COMMAND CABLE 5TH ADD'L	\$172	A02B-0168-K010	DPL/MDI W/O FA CARD 2M TABLEMT	\$551
A02B-0163-J096	SERVO CABLE NO6	\$182	A02B-0168-K011	DPL/MDI W/O FA CARD 2M WALL MT	\$590
A02B-0163-J101	TIMING CONTROL CABLE	\$57	A02B-0168-K012	DPL/MDI W/O FA CARD 2M TABLEMT	\$569
A02B-0163-J101-K1	CABLE	\$26	A02B-0168-K013	DPL/MDI W/O FA CARD 2M WALL MT	\$592
A02B-0163-J111	SEP TYPE REGEN DISCHARGE UNIT	\$44	A02B-0168-K021	SERVO CHECK BOARD ADAPTER	\$219
A02B-0163-J113	DISCHARGE UNIT ADAPTER	\$71	A02B-0168-K111	SPARE BATTERY FOR ABS P CODER	\$22
A02B-0163-J114	DISCHARGE UNIT ADAPTER	\$41	A02B-0168-K321	CONNECTOR, DYN, BRAKE	\$4
A02B-0163-J116-K1	CABLE KIT	\$35	A02B-0168-K322	CONNECTOR 3 PIN FEMALE	\$2





# A02B-0168-K323

Part Number	Description	Price	Part Number	Description	Price
A02B-0168-K323	CONNECTOR 3 PIN FEMALE	\$2	A02B-0200-C055	8.4"LCD SEP TYPE COLOR	\$5,464
A02B-0168-K324	CONNECTOR, DUMMY	\$2	A02B-0200-C061#MB	LCD/MDI 9.5"HORZ COLOR STD XCE	\$6,147
A02B-0168-K821	CABLE MPG	\$94	A02B-0200-C061#MBR	LCD/MDI 9.5"HORZ COLOR STD ENG	\$6,147
A02B-0169-H021	CONTROL UNIT C3	\$1,275	A02B-0200-C061#MBS	LCD/MDI 9.5"HORZ COLOR STD SYM	\$6,147
A02B-0169-H022	CONTROL UNIT C4	\$1,275	A02B-0200-C061#TB	LCD/MDI 9.5"HORZ COLOR STD XCE	\$6,147
A02B-0169-H031	CONTROL UNIT D1	\$1,457	A02B-0200-C061#TBR	LCD/MDI 9.5"HORZ COLOR STD ENG	\$6,147
A02B-0169-H045	CNC CONTROL C1	\$1,821	A02B-0200-C061#TBS	LCD/MDI 9.5"HORZ COLOR STD SYM	\$6,147
A02B-0169-H046	CNC CONTROL C2	\$1,821	A02B-0200-C061#TFB	LCD/MDI 9.5"HORZ COLOR STD XCE	\$6,147
A02B-0169-H353	CONTROL UNIT A3 15MEA-B-4	\$3,279	A02B-0200-C061#TFBR	LCD/MDI 9.5"HORZ COLOR STD ENG	\$6,147
A02B-0169-H356	CONTROL UNIT A6 15MEA-B-4	\$3,279	A02B-0200-C061#TFBS	LCD/MDI 9.5"HORZ COLOR STD SYM	\$6,147
A02B-0169-H381	CONTROL UNIT D1	\$1,457	A02B-0200-C062#MB	LCD/MDI 9.5"VERT COLOR STD XCE	\$6,147
A02B-0169-H482	ACCURACY SPECIFICATION .0001mm	\$340	A02B-0200-C062#MBR	LCD/MDI 9.5"VERT COLOR STD ENG	\$6,147
A02B-0170-H215	NAMEPLATE GE FANUC 15MEB-B-4	\$12	A02B-0200-C062#MBS	LCD/MDI 9.5"VERT COLOR STD SYM	\$6,147
A02B-0171-H041	CNC CONTROL A1	\$4,554	A02B-0200-C062#TB	LCD/MDI 9.5"VERT COLOR STD XCE	\$6,147
A02B-0171-H042	CNC CONTROL A2	\$4,554	A02B-0200-C062#TBR	LCD/MDI 9.5"VERT COLOR STD ENG	\$6,147
A02B-0175-H381	CONTROL UNIT	\$3,643	A02B-0200-C062#TBS	LCD/MDI 9.5"VERT COLOR STD SYM	\$6,147
A02B-0176-K101	FUSE, POWER SUPPLY	\$4	A02B-0200-C062#TFB	LCD/MDI 9.5"VERT COLOR STD XCE	\$6,147
A02B-0177-C001	LOGIC RACK, 2 SLOT	\$278	A02B-0200-C062#TFBR	LCD/MDI 9.5"VERT COLOR STD ENG	\$6,147
A02B-0177-C011	LOGIC RACK	\$230	A02B-0200-C062#TFBS	LCD/MDI 9.5"VERT COLOR STD SYM	\$6,147
A02B-0177-H001	MAIN CPU BD 20-FA	\$2,368	A02B-0200-C065#MB	LCD/MDI 9.5"H COL STD MMC4 XCE	\$6,147
A02B-0177-H002	MAIN CPU BD 20-TA	\$1,730	A02B-0200-C065#MBR	LCD/MDI 9.5"H COL STD MMC4 ENG	\$6,147
A02B-0177-H011	I/O BOARD	\$1,494	A02B-0200-C065#MBS	LCD/MDI 9.5"H COL STD MMC4 SYM	\$6,147
A02B-0177-H013	INTERNAL I/O C1 SOURCE, FOR 9"	\$1,494	A02B-0200-C065#TB	LCD/MDI 9.5"H COL STD MMC XCE	\$6,147
A02B-0177-H020	SPDL INTERFACE CNTL A -SERIAL	\$182	A02B-0200-C065#TBR	LCD/MDI 9.5"H COL STD MMC ENG	\$6,147
A02B-0177-H022	SPDL INTERFACE CNTL C -ANALOG	\$182	A02B-0200-C065#TBS	LCD/MDI 9.5"H COL STD MMC SYM	\$6,147
A02B-0177-H030	PMC CONTROL RA1 W I/O LINK	\$109	A02B-0200-C065#TFB	LCD/MDI 9.5"H COL STD MMC XCE	\$6,147
A02B-0177-H031	PMC CONTROL RA1 W/O I/O LINK	\$73	A02B-0200-C065#TFBR	LCD/MDI 9.5"H COL STD MMC ENG	\$6,147
A02B-0177-H032	PMC CONTROL RA3 W I/O LINK	\$419	A02B-0200-C065#TFBS	LCD/MDI 9.5"H COL STD MMC SYM	\$6,147
A02B-0177-H033	PMC CONTROL RA3 W/O I/O LINK	\$383	A02B-0200-C066#MB	LCD/MDI 9.5"V COL STD MMC4 XCE	\$6,147
A02B-0177-H040	S21-MB MEM C 2M/2.5M/129K	\$1,002	A02B-0200-C066#MBR	LCD/MDI 9.5"V COL STD MMC4 ENG	\$6,147
A02B-0177-H042	S21-MB MEM D 2M/2.5M/256K	\$1,220	A02B-0200-C066#MBS	LCD/MDI 9.5"V COL STD MMC4 SYM	\$6,147
A02B-0177-H044	MEM CKT FR/DR/SD 3/3.5MB 128KB	\$1,293	A02B-0200-C066#TB	LCD/MDI 9.5"V COL STD MMC XCE	\$6,147
A02B-0177-H046	MEMORY CIRCUIT D	\$1,548	A02B-0200-C066#TBR	LCD/MDI 9.5"V COL STD MMC ENG	\$6,147
A02B-0177-H048	MEM CKT FR/DR/SR 4/3.5MB 128KB	\$1,494	A02B-0200-C066#TBS	LCD/MDI 9.5"V COL STD MMC SYM	\$6,147
A02B-0177-H050	MEMORY CIRCUIT F	\$1,730	A02B-0200-C066#TFB	LCD/MDI 9.5"V COL STD MMC XCE	\$6,147
A02B-0177-H100	POWER SUPPLY UNIT	\$319	A02B-0200-C066#TFBR	LCD/MDI 9.5"V COL STD MMC ENG	\$6,147
A02B-0177-H191	NAMEPLATE GE FANUC	\$1	A02B-0200-C066#TFBS	LCD/MDI 9.5"V COL STD MMC SYM	\$6,147
A02B-0177-K101	SPARE FUSE PSU-C	\$3	A02B-0200-C071#MBR	CRT/MDI 14"H COL STD ENG (CE)	\$3,643
A02B-0177-K701#4081	LADDER DIAG. EDIT MEM CARD	\$491	A02B-0200-C071#MBS	CRT/MDI 14"H COL STD SYM (CE)	\$3,643
A02B-0177-K809	CABLE APC BATTERY 5M	\$63	A02B-0200-C071#TB	CRT/MDI 14"H COL STD MMC4 XCE	\$3,643
A02B-0177-K842	CABLE MPG 7M	\$99	A02B-0200-C071#TBR	CRT/MDI 14"H COL STD ENG (CE)	\$3,643
A02B-0177-K845	CABLE CONTROL PWR 24VDC 7M	\$25	A02B-0200-C071#TBS	CRT/MDI 14"H COL STD SYM (CE)	\$3,643
A02B-0179-H001	MAIN BOARD,4-AXES	\$2,368	A02B-0200-C071#TFBR	CRT/MDI 14"H COL STD ENG (CE)	\$3,643
A02B-0179-H011	I/O BD A SINK/CRT, 48/48+64/32	\$1,163	A02B-0200-C071#TFBS	CRT/MDI 14"H COL STD SYM (CE)	\$3,643
A02B-0179-H013	I/O BD C1 SRC/CRT, 48/48+64/32	\$1,166	A02B-0200-C072#MBR	CRT/MDI 14"V COL STD ENG (CE)	\$3,643
A02B-0179-H015	I/O BD C2 SRC/LCD, 48/48+64/32	\$1,166	A02B-0200-C072#MBS	CRT/MDI 14"V COL STD SYM (CE)	\$3,643
A02B-0179-H016	I/O BD B SINK/CRT, 84/64	\$1,348	A02B-0200-C072#TB	CRT/MDI 14"V COL STD ENG (CE)	\$3,643
A02B-0179-H046	S21-MB MEM E 3M/2.5M/128K	\$1,250	A02B-0200-C072#TBS	CRT/MDI 14"V COL STD SYM (CE)	\$3,643
A02B-0180-H002	MAIN CPU	\$3,600	A02B-0200-C072#TFBR	CRT/MDI 14"V COL STD ENG (CE)	\$3,643
A02B-0180-H101	PRECISION CLASS	\$26	A02B-0200-C072#TFBS	CRT/MDI 14"V COL STD SYM (CE)	\$3,643
A02B-0180-H102	STORED PITCH ERROR COMP	\$26	A02B-0200-C081	7.2"LCD MONO, SEP, 7 KEY	\$1,594
A02B-0180-H171#2	NAMEPLATE FOR 2-SLOT RACK	\$1	A02B-0200-C082	7.2"LCD UNIT,12 KEY	\$1,594
A02B-0180-H171#3	NAMEPLATE FOR 3-SLOT RACK	\$1	A02B-0200-C090	9.5" LCD 16B/18B/20/21	\$5,282
A02B-0180-H171#4	NAMEPLATE FOR 4-SLOT RACK	\$1	A02B-0200-C091	9.5" LCD 16B/18B/20/21	\$5,282
A02B-0180-H171#6	NAMEPLATE FOR 6-SLOT RACK	\$1	A02B-0200-C092	9.5" LCD 16B/18B/20/21	\$5,282
A02B-0180-H171#8	NAMEPLATE FOR 8-SLOT RACK	\$1	A02B-0200-C100	SEPARATE TYPE PDP UNIT	\$2,186
A02B-0185-H002	MAIN CPU	\$2,801	A02B-0200-C111	9.5" COLOR STN DISPLAY	\$2,459
A02B-0192-H014	BASE PC BD 21-TA	\$965	A02B-0200-C112	9.5" COLOR TFT DISP W/12 SKEYS	\$5,874
A02B-0192-H030	PMC MODULE	\$102	A02B-0200-C113	9.5" COL TFT DISP/12 SKEYS/MMC	\$6,102
A02B-0192-H032	PMC CONTROL MODULE	\$383	A02B-0200-C115	9.5" STN MONO LCD, SEP, 7 KEY	\$1,708
A02B-0192-H050	ANALOG SPINDLE CONTROL	\$80	A02B-0200-C116	SEPARATE 9.5" STN COLOR LCD UN	\$2,459
A02B-0192-H051	SERIAL SPINDLE CONTROL	\$64	A02B-0200-C122#MAR	SEPARATE MDI STANDARD	\$294
A02B-0192-H191	NAMEPLATE GE FANUC	\$1	A02B-0200-C122#TAR	SEPARATE MDI STANDARD	\$338
A02B-0192-K820	CABLE POWER SUPPLY +24V	\$93	A02B-0200-C125#MAR	SEP MDI 230X220 ENG HORZ (CE)	\$273
A02B-0198-H010	I/O CARD A, 32/24, SOURCE	\$380	A02B-0200-C125#MAS	SEP MDI 230X220 SYM HORZ (CE)	\$273
A02B-0198-H011	I/O CARD B, 48/32, SOURCE	\$751	A02B-0200-C125#TAR	SEP MDI 230X220 ENG HORZ (CE)	\$273
A02B-0198-H021	BUILT-IN I/O D2, 48/32, SOURCE	\$751	A02B-0200-C125#TAS	SEP MDI 230X220 SYM HORZ (CE)	\$273
A02B-0198-J001	SPINDLE CONTROL, ANALOG	\$80	A02B-0200-C125#TFR	CAP-II SEP TYPE MDI, ENG KEY	\$273
A02B-0198-J002	SPINDLE CONTROL, SERIAL	\$80	A02B-0200-C125#TFS	CAP-II SEP TYPE MDI, SYM KEY	\$273
A02B-0198-K840	CBL INTERNAL I/O J80/J81 300mm	\$17	A02B-0200-C126#MAR	SEP MDI 290X200 ENG VERT (CE)	\$273
A02B-0198-K841	CBL INTERNAL I/O J80/J81 500mm	\$19	A02B-0200-C126#MAS	SEP MDI 290X200 SYM VERT (CE)	\$273
A02B-0198-K842	CBL INTERNAL I/O J80/J81 1M	\$24	A02B-0200-C126#TAR	SEP MDI 290X200 ENG VERT (CE)	\$273
A02B-0200-0522	BASC UNIT 16-B 4 SLOT W/MMC-IV	\$1,077	A02B-0200-C126#TAS	SEP MDI 290X200 SYM VERT (CE)	\$273
A02B-0200-C001	LOGIC RACK 2 SLOT	\$574	A02B-0200-C126#TFR	CAP-II SEP TYPE MDI, ENG KEY	\$273
A02B-0200-C002	LOGIC RACK 4 SLOT	\$692	A02B-0200-C126#TFS	CAP-II SEP TYPE MDI, SYM KEY	\$273
A02B-0200-C003	LOGIC RACK 6 SLOT	\$467	A02B-0200-C154	10.4"LCD SEP TYPE FOR MMC-IV	\$4,144
A02B-0200-C004	LOGIC RACK 8 SLOT	\$924	A02B-0200-C261	OPERATOR PANEL	\$2,001
A02B-0200-C005	LOGIC RACK 3 SLOT	\$740	A02B-0200-C901	HEAT EXCHANGER	\$364
A02B-0200-C010	LOGIC RACK 4 SLOT	\$913	A02B-0200-H001	CPU MAIN-A 2 AXES W/O LEARNING	\$2,953
A02B-0200-C011	LOGIC RACK 6 SLOT	\$997	A02B-0200-H003	CPU MAIN-A 2 AXES W/ LEARNING	\$3,864
A02B-0200-C012	LOGIC RACK 8 SLOT	\$1,020	A02B-0200-H004	CPU MAIN-A 4 AXES W/ LEARNING	\$5,817
A02B-0200-C021	BACKPLANE/CASE ASM	\$294	A02B-0200-H005	CPU MAIN-A 2 AXES W/O LEARNING	\$2,953
A02B-0200-C051	8.4" LCD, SEP MMC-4	\$5,692	A02B-0200-H006	CPU MAIN-A 4 AXES W/O LEARNING	\$3,996
A02B-0200-C052	LCD UNIT	\$5,692	A02B-0200-H007	CPU MAIN-A 2 AXES W/ LEARNING	\$3,864

RENEWAL PARTS  
PRICING

D-14



FANUC CNC Parts

Part Number	Description	Price	Part Number	Description	Price
A02B-0200-H008	CPU MAIN-A 4 AXES W/ LEARNING	\$5,817	A02B-0200-J076	ADDN RAM FOR 2-PATH CONTROL	\$410
A02B-0200-H010	PROG MEMORY ADDL RAM MAIN A	\$319	A02B-0200-J077	ADDN RAM FOR 2-PATH CONTROL	\$774
A02B-0200-H011	PROG MEMORY ADDL RAM MAIN A	\$667	A02B-0200-J080	MAIN MEM FOR 2-PATH CONTRL 2MB	\$228
A02B-0200-H012	PROG MEMORY ADDL RAM MAIN A	\$940	A02B-0200-J081	MAIN MEM FOR 2-PATH CONTRL 4MB	\$387
A02B-0200-H013	PROG MEMORY ADDL MEM MAIN A	\$1,261	A02B-0200-J082	MAIN MEM FOR 2-PATH CONTRL 6MB	\$615
A02B-0200-H014	PROG MEMORY ADDL RAM MAIN A	\$870	A02B-0200-J083	OPT 2 BD MAIN MEMORY	\$968
A02B-0200-H015	PROG MEMORY ADDL RAM MAIN A	\$4,781	A02B-0200-J085	MACRO MEM FOR 2-PATH CNTRL 2MB	\$319
A02B-0200-H016	PROG MEMORY ADDL MEM MAIN A	\$1,498	A02B-0200-J086	MACRO MEM FOR 2-PATH CNTRL 4MB	\$667
A02B-0200-H017	PROG MEMORY ADDL RAM MAIN A	\$1,821	A02B-0200-J090	OPT 3 BD A CAP II	\$2,436
A02B-0200-H021	CPU SPINDLE INTERFACE CKT B	\$291	A02B-0200-J091	OPT-3 BOARD B	\$2,029
A02B-0200-H022	CPU SPINDLE INTERFACE CKT C	\$226	A02B-0200-J092	OPT 3 BD C CAP II/PMC-RC3	\$2,778
A02B-0200-H030	CPU PMC RB3 CKT B W/ I/O LINK	\$1,692	A02B-0200-J095	MPC BOARD, MAKINO	\$2,368
A02B-0200-H031	CPU PMC RB3 CKT A WO I/O LINK	\$1,614	A02B-0200-J096	MPC BD (LEBLOND-MAKINO)	\$2,459
A02B-0200-H032	CPU PMC RB4 CKT C W/ I/O LINK	\$1,806	A02B-0200-J098	OPTION 3 BOARD	\$2,120
A02B-0200-H039	NO CONTROL CKT (PMC-RC* REQ)	\$1	A02B-0200-J100	OPT-3 BD, PMC-RC3 CONTROL CIRC	\$417
A02B-0200-H040	CPU CHAR DISP CKT A 9" CRT	\$280	A02B-0200-J101	OPT-3 BD, PMC-RC4 CONTROL CIRC	\$635
A02B-0200-H042	CPU CHAR DISP CK C 8 4/9 5 LCD	\$280	A02B-0200-J111	OPT-3 BD, PMC-RC3 MAIN MEM B	\$239
A02B-0200-H044	CPU CHAR DISP CKT MMCIH 14"	\$280	A02B-0200-J112	OPT-3 BD, PMC-RC3 MAIN MEM C	\$494
A02B-0200-H045	CPU CHAR DSP CKT B 14" CE MK	\$280	A02B-0200-J113	OPT-3 PMC-RC3 MAIN MEM D	\$879
A02B-0200-H046	CPU CHAR DSP F MMCIH/MMCIV	\$280	A02B-0200-J115	OPT-3 BD, PMC-RC4 MAIN MEM A	\$148
A02B-0200-H049	CPU CHAR DISPLAY, CAP	\$1	A02B-0200-J116	OPT-3 BD, PMC-RC4 MAIN MEM B	\$241
A02B-0200-H050	MAIN MEMORY MAIN CPU 2MB	\$228	A02B-0200-J117	OPT-3 BD, PMC-RC4 MAIN MEM C	\$335
A02B-0200-H051	MAIN MEMORY MAIN CPU 4MB	\$387	A02B-0200-J118	OPT-3 PMC-RC4 MAIN MEM D	\$521
A02B-0200-H052	MAIN MEMORY MAIN CPU 6MB	\$615	A02B-0200-J120	LOADER CONTROL BRD 2 AXES	\$3,022
A02B-0200-H053	MAIN MEMORY	\$968	A02B-0200-J121	LOADER CONTROL BRD 4 AXES	\$3,637
A02B-0200-H060	CPU MAIN-B 2 AXES W/O LEARNING	\$2,953	A02B-0200-J122	LOADER CONTROL BRD 2 AXES	\$3,204
A02B-0200-H061	CPU MAIN-B 4 AXES W/O LEARNING	\$3,996	A02B-0200-J123	LOADER CONTROL BRD 4 AXES	\$3,898
A02B-0200-H063	MAIN B 2 AXES W/ SELF LEARN	\$3,142	A02B-0200-J124	LOADER CTRL PMC W/ I/O LINK	\$204
A02B-0200-H064	MAIN CPU 4 AXES W/ SELF LEARN	\$4,599	A02B-0200-J125	LOADR CTRL PMC W/O I/O LINK	\$128
A02B-0200-H065	CPU MAIN-B 6 AXES W/ LEARNING	\$5,692	A02B-0200-J130	LOADR CTRL MN MEM A	\$228
A02B-0200-H070	PROG MEMORY MAIN CPU 2MB	\$142	A02B-0200-J131	LOADR CTRL MN MEM B	\$387
A02B-0200-H072	PROG MEMORY MAIN CPU 6MB	\$764	A02B-0200-J135	LDR CTRL MAC ROM MOD	\$319
A02B-0200-H073	PROG MEMORY MAIN CPU 8MB	\$1,085	A02B-0200-J150	PMC-X,4CH, SERIAL	\$316
A02B-0200-H075	ADDITIONAL RAM MAIN CPU 2MB	\$176	A02B-0200-J151	2 CHANNEL COMMUNICATION (LM)	\$158
A02B-0200-H076	ADDN RAM MAIN CPU	\$410	A02B-0200-J160	BACKGROUND GRAPHCIC BRD	\$3,074
A02B-0200-H077	ADDN RAM MAIN CPU	\$774	A02B-0200-J180	I/O CRD W/O SKIP A, 40/40, SRC	\$494
A02B-0200-H084	I/O CARD SOURCE A, 40/40	\$676	A02B-0200-J181	I/O CRD W/O SKIP B, 80/56, SRC	\$820
A02B-0200-H085	I/O CARD SOURCE B, 80/56	\$945	A02B-0200-J182	I/O CRD W/O SKIP C, 104/72, SRC	\$1,025
A02B-0200-H086	I/O CARD SOURCE C, 104/72	\$1,075	A02B-0200-J183	I/O CRD W/O SKIP D, 156/120, SRC	\$1,840
A02B-0200-H101	POWER SUPPLY UNIT A1	\$747	A02B-0200-J184	I/O CRD W/SKIP E, 40/40, SRC	\$590
A02B-0200-H102	POWER SUPPLY UNIT B1	\$1,034	A02B-0200-J185	I/O CRD W/SKIP F, 80/56, SRC	\$915
A02B-0200-H103#CS	POWER SUPPLY UNIT A1 CSA	\$772	A02B-0200-J186	I/O CRD W/SKIP G, 104/72, SRC	\$1,120
A02B-0200-H104#CS	POWER SUPPLY UNIT B1 CSA	\$1,059	A02B-0200-J187	I/O CRD W/SKIP H, 156/120, SRC	\$1,935
A02B-0200-H107#CS	POWER SUPPLY B1	\$1,059	A02B-0200-J200	OPT 2 BRD B 2 AXES NO LEARNING	\$1,833
A02B-0200-H191	NAMEPLATE S160-T "GE FANUC"	\$1	A02B-0200-J201	OPT 2 BRD B 2 AXES W/ LEARNING	\$2,873
A02B-0200-H193	NAMEPLATE 160MB HRZ 9.5 LCD	\$1	A02B-0200-J202	OPT 5 BRD B NO AXES	\$861
A02B-0200-H195	NAMEPLATE 160MB 14" CRT/MDI	\$1	A02B-0200-J210	OPT 2 BRD B 2 AXES NO LEARNING	\$3,839
A02B-0200-H197	NAMEPLATE 160MB VRT 9.5 LCD	\$1	A02B-0200-J211	OPT 2 BRD B 4 AXES NO LEARNING	\$5,084
A02B-0200-H199	NAMEPLATE GE FANUC S160-T	\$1	A02B-0200-J212	OPT 2 BRD B 6 AXES NO LEARNING	\$6,329
A02B-0200-J010	OPT 2 BD A, ADDL RAM	\$426	A02B-0200-J213	OPT 2 BRD B 2 AXES W/ LEARNING	\$6,591
A02B-0200-J011	OPT 2 BD A, ADDL RAM	\$4,303	A02B-0200-J214	OPT 2 BRD B 4 AXES W/ LEARNING	\$8,554
A02B-0200-J012	OPT 2 BD A ADD'L RAM	\$4,303	A02B-0200-J215	OPT 2 BRD B 6 AXES W/ LEARNING	\$10,517
A02B-0200-J021	OPT-2 BD SPDL INTRFACE CCT B	\$189	A02B-0200-K100	FUSE KIT FOR PSU-A1	\$27
A02B-0200-J022	OPT-2 BD SPDL INTRFACE CCT C	\$130	A02B-0200-K101	FUSE FOR PSU-B1	\$27
A02B-0200-J030	OPT-1 BOARD A	\$1,364	A02B-0200-K102	LITHIUM BATTERY FOR CNTRL UNIT	\$16
A02B-0200-J031	OPT-1 BOARD B	\$1,364	A02B-0200-K103	FUSE 24Vdc (Analog Servo Interface, LCD)	\$2
A02B-0200-J032	OPT 1 BD C GRAPH CAPII W/O COM	\$988	A02B-0200-K104	SPARE PARTS LCD	\$3
A02B-0200-J033	OPT 1 BD D GRAPH CAPII W/DNC2	\$2,345	A02B-0200-K105	FUSE	\$3
A02B-0200-J034	GRAPHIC BOARD WITH DNC1	\$1,364	A02B-0200-K106	BATTERY PSU-C	\$15
A02B-0200-J037	GRAPHIC CIRCUIT FOR MAIN CPU	\$1,532	A02B-0200-K701#4073	PMC-RA1/RB3/RB4 EDIT	\$394
A02B-0200-J038	GRAPHIC CCT MAIN CPU, 2-PATH T	\$1,926	A02B-0200-K701K4073	PMC-RA1/RB3/RB4 EDIT	\$394
A02B-0200-J039	OPT 1 ADDL GRAPHIC DISPLAY CKT	\$401	A02B-0200-K800	CABLE, PULSE CODER ST 14M	\$230
A02B-0200-J040	OPT-1 CHAR DISPLAY CKT B	\$280	A02B-0200-K801	CABLE, PULSE CODER EL 14M	\$237
A02B-0200-J041	OPT-1 CHAR DISPLAY CKT C	\$280	A02B-0200-K802	BETA 0.5 SIGNAL CBL 14M	\$109
A02B-0200-J043	OPT-1 CHAR DISPLAY CKT A	\$280	A02B-0200-K810	CABLE ALPHA SPINDLE AMP 5M	\$123
A02B-0200-J044	CHAR DISPLAY, 14" CRT W/MMCIII	\$280	A02B-0200-K811	CABLE, 7M IBM PC/AT	\$237
A02B-0200-J045	OPT-1 CHAR DISPLAY CKT D	\$280	A02B-0200-K812	CRT/MDI CABLE 14" CRT (CE)	\$38
A02B-0200-J050	OPT 2 BRD A 2 AXES W/O LRNING	\$1,833	A02B-0200-K820	CE PROT COVER FOR 9" MONO CRT	\$80
A02B-0200-J051	OPT 2 BRD A 4 AXES NO LEARNING	\$2,873	A02B-0200-K830	CABLE FOR SERIAL PULSE CODER	\$1,710
A02B-0200-J052	OPT 2 BRD A 2 AXES W/ LEARNING	\$3,647	A02B-0201-H191	NAMEPLATE GE FANUC S160-M	\$1
A02B-0200-J053	OPT 2 BRD A 4 AXES W LEARNING	\$4,695	A02B-0201-H193	NAMEPLATE 160MB HRZ 9.5 LCD	\$1
A02B-0200-J054	OPT 2 BRD A NO AXIS	\$829	A02B-0201-H195	NAMEPLATE 160MB 14" CRT/MDI	\$1
A02B-0200-J055	7TH & 8TH AXES BOARD	\$1,833	A02B-0201-H197	NAMEPLATE 160MB VRT 9.5 LCD	\$1
A02B-0200-J060	OPT 2 BRD A 2 AXES	\$3,839	A02B-0201-H199	NAMEPLATE GE FANUC S160-M	\$1
A02B-0200-J061	OPT 2 BRD A 4 AXES NO LEARNING	\$5,084	A02B-0205-H193	NAMPLT 160-LB HOZ 9.5" LCD/MDI	\$1
A02B-0200-J062	OPT 2 BRD A 2 AXES W/ LEARNING	\$6,591	A02B-0205-H195	NAMPLT 160-LB 14" CRT/MDI UNIT	\$1
A02B-0200-J063	OPT 2 BRD A 4 AXES W/ LEARNING	\$8,554	A02B-0205-H197	NAMPLT 160-LB VER 9.5" LCD/MDI	\$1
A02B-0200-J065	OPT 2 BRD A 2-AXES NO LEARNING	\$3,662	A02B-0207-C001	PORTABLE FLOPPY DISK UNIT 3.5"	\$1,475
A02B-0200-J066	OPT 2 BRD A 4 AXES NO LEARNING	\$4,908	A02B-0207-C005	FLOPPY DRIVE - PANEL MT.	\$556
A02B-0200-J067	OPT 2 BRD A 2 AXES W/ LEARNING	\$6,591	A02B-0207-C006	PORTABLE FLOPPY DISK DRIVE3 5"	\$660
A02B-0200-J068	OPT 2 BRD A 4 AXES W/ LEARNING	\$8,554	A02B-0207-C008	FLOPPY DISK DRIVE, PANEL MOUNT UNIT	\$319
A02B-0200-J070	OPT-1 ANALOG I/O A	\$364	A02B-0207-C030	HDD 4.2GB DATA SERVER	\$829
A02B-0200-J071	OPT-1 ANALOG I/O B	\$364	A02B-0207-C065#A	HDD 4.2GB FOR MMCIV	\$829
A02B-0200-J075	ADDL RAM FOR 2-PATH CONTROL	\$176	A02B-0207-C066#A	HDD 4.2GB FOR MMCIV	\$829



# A02B-0207-J001

Part Number	Description	Price	Part Number	Description	Price
A02B-0207-J001	MMC-IV 486SX MAIN BOARD	\$4,078	A02B-0211-J033	PMC CONTROL MODULE	\$269
A02B-0207-J010	MMC-IV 4MB DRAM	\$581	A02B-0211-J040	I/O CARD E, 32/24, SOURCE	\$380
A02B-0207-J011	MMC-IV 8MB DRAM	\$1,161	A02B-0211-J070	HSSB CONTROL MODULE	\$383
A02B-0207-J012	MMC-IV 12MB DRAM	\$1,742	A02B-0211-J100	PROFIBUS I/F CARD PM-H	\$1,969
A02B-0207-J020	MMC-IV 85MB HARD DISK	\$968	A02B-0211-J110	GENIUS I/F CARD PM-H	\$1,708
A02B-0207-J031	MMC-IV 486DX2 MAIN BOARD 8MB	\$5,510	A02B-0211-J120	ANALOG SERVO MOD 3RD/4TH AXES	\$501
A02B-0207-J032	MMC-IV 486DX2 MAIN BOARD 12MB	\$5,692	A02B-0211-K121	ANALOG SERVO MOD 5TH/6TH AXES	\$501
A02B-0207-J100	ISA EXP 3-SLOT, 50MA CAP 12VDC	\$683	A02B-0211-K381	CONNECTOR	\$28
A02B-0207-J101	ISA EXP 2-SLOT 500MA CAP 12VDC	\$683	A02B-0211-K382	CONNECTOR SOLDER HANDY OP PNL	\$27
A02B-0207-J200	HIGH SPEED SERIAL BUS CNC PCB	\$877	A02B-0211-K390#R	SPARE HANDY OPER KEY SH ENG	\$68
A02B-0207-J201	HI-SPD SERIAL BUS I/F BD B/CNC	\$877	A02B-0211-K390#S	SPARE HANDY OPER KEY SH SYM	\$68
A02B-0207-J202	HSSB Bd, CNC-side S15-B, 100m	\$877	A02B-0211-K800	WIRE, 200 METER PM TO HANDY OP PNL CABLE	\$1,794
A02B-0207-J492	F. ROM	\$22	A02B-0211-K801	CABLE	\$189
A02B-0207-K100	SPARE FUSE FOR MMC-IV	\$6	A02B-0212-H002	MAIN CPU BD	\$2,186
A02B-0207-K707	OPEN CNC DRV & LIB DISK - DOS	\$1,138	A02B-0213-J001	DATA SERVER BOARD	\$2,960
A02B-0207-K708	DRIVER/LIBRARY DISK	\$3,415	A02B-0213-K101	SPARE FUSE FOR DATA SERVER	\$4
A02B-0207-K713	BOP-1 SOURCE FILES MS-DOS (3.5	\$6,831	A02B-0214-K001	CABLE CLAMP	\$9
A02B-0207-K714	BOP1 EXE DISKETTE WIN	\$4,554	A02B-0216-H111	PRECISION CLASS	\$3
A02B-0207-K715	BOP-1 SOURCE FILES WIN (3.5")	\$6,831	A02B-0216-H191	NAMEPLATE S180-TC "GE FANUC"	\$1
A02B-0207-K716	BOP EXE DOS FOR HSSB-II	\$4,554	A02B-0216-H193	NAMPLT S18-TB GE FANUC HORZ9.5	\$1
A02B-0207-K718	BOP Software (16 bit) - Win 3.1	\$4,554	A02B-0216-H195	NAMPLT S18-TB GE FANUC 14" CRT	\$1
A02B-0207-K725	STD DRIVERS/LIB DISKETTE WIN	\$1,138	A02B-0216-H197	NAMPLT S18-TB GE FANUC VERT9.5	\$1
A02B-0207-K727	D/L SOFTWARE (16-BIT) - WIN 3.1	\$1,138	A02B-0216-H199	NAMEPLATE S180-TC "GE FANUC"	\$1
A02B-0207-K728	DRIVER/LIBRARY DISK	\$3,415	A02B-0216-J120	LOADER CTRL BD 2 AXES	\$3,158
A02B-0207-K730	DRIVERS & LIBR FOR WIN95/NT,32-BIT	\$1,138	A02B-0216-K809	SRVO SCALE BAT CABLE MAIN-A 5M	\$82
A02B-0207-K732	FOCAS1/ETHERNET LIBRARIES	\$35	A02B-0217-H191	NAMEPLATE S180-MC "GE FANUC"	\$1
A02B-0207-K750	BOP SOFTWARE FOR WIN 95/NT, 32 BIT	\$4,554	A02B-0217-H193	NAMPLT S18-MB GE FANUC HORZ9.5	\$1
A02B-0207-K760	DNC OPERATION MGMT PACKAGE	\$35	A02B-0217-H195	NAMPLT S18-MB GE FANUC 14" CRT	\$1
A02B-0207-K770#EN07	CNC SCREEN DISPLAY FUNCTION, ENGLISH, 3.	\$35	A02B-0217-H197	NAMPLT S18-MB GE FANUC VERT9.5	\$1
A02B-0207-K772	CNC SCREEN DISP DISK (FOCAS1/ETHERN	\$35	A02B-0217-H199	NAMEPLATE S180-MC "GE FANUC"	\$1
A02B-0207-K775	DISK: CNC SCREEN DISPLAY FUNC	\$35	A02B-0218-C004	BACKPLANE	\$608
A02B-0207-K776	DISK: CNC SCREEN DISPLAY FUNCTION	\$35	A02B-0218-C051	8.4" TFT LCD COLOR, SEPARATE	\$5,464
A02B-0207-K780#EN07	MACHINE STATUS MONTR DISK	\$35	A02B-0218-C120#MR	MDI KEYSHEET ENG HORZ (CE)	\$455
A02B-0207-K775	DISK: CNC SCREEN DISPLAY FUNC	\$35	A02B-0218-C120#MS	MDI KEYSHEET SYM HORZ (CE)	\$455
A02B-0207-K776	DISK: CNC SCREEN DISPLAY FUNCTION	\$35	A02B-0218-C120#TR	MDI KEYSHEET ENG HORZ (CE)	\$455
A02B-0207-K780#EN07	MACHINE STATUS MONTR DISK	\$35	A02B-0218-C120#TS	MDI KEYSHEET SYM HORZ (CE)	\$455
A02B-0207-K782#EN07	DISK, MACH STATUS MONITOR (FOCAS1/E	\$35	A02B-0218-C121#MR	MDI KEYSHEET ENG VERT (CE)	\$455
A02B-0207-K790	DRIVER DISK FOR MMC-IV	\$1	A02B-0218-C121#MS	MDI KEYSHEET SYM VERT (CE)	\$455
A02B-0207-K800	CABLE FLOPPY DRIVE 1.5M	\$104	A02B-0218-C121#TR	MDI KEYSHEET FULL VERT ENG(CE)	\$455
A02B-0207-K801	CBL PORTABLE FLOPPY DISK DRIVE 1M	\$116	A02B-0218-C121#TS	MDI KEYSHEET SYM VERT (CE)	\$455
A02B-0210-C041#MA	9" MONO CRT/MDI ENG (CE)	\$1,138	A02B-0218-H001	MAIN BOARD S21/210-MB	\$1,730
A02B-0210-C041#MAS	9" MONO CRT/MDI SYM (CE)	\$1,138	A02B-0218-H010#A1	I/O A1 SNK:48/48-MTX 64/32,CRT	\$1,163
A02B-0210-C041#TA	9" CRT HORZ 200X400 SM MONO ENG	\$1,138	A02B-0218-H010#A2	I/O A2 SNK:48/48-MTX 64/32,LCD	\$1,163
A02B-0210-C041#TAS	9" CRT HORZ 200X400 SM MONO SYM	\$1,138	A02B-0218-H010#B1	I/O B1 SNK: 84/64, 9" CRT	\$1,348
A02B-0210-C111	9" MONO CRT SEPARATE	\$956	A02B-0218-H010#B2	I/O B2 SNK: 84/64, 7.2" LCD	\$1,348
A02B-0210-C120#MA	SEPARATE MDI,SMALL ENG (CE)	\$182	A02B-0218-H010#B3	I/O B3 SNK: 84/64, 14" CRT, 9.5"	\$1,348
A02B-0210-C120#MAS	SEPARATE MDI,SMALL SYM (CE)	\$182	A02B-0218-H010#C1	I/O C1 SRC:48/48+MTX 64/32,CRT	\$1,166
A02B-0210-C120#TA	9"MDI SEP 200X175 SMALL ENG	\$182	A02B-0218-H010#C2	I/O C2 SRC:48/48+MTX 64/32,LCD	\$1,166
A02B-0210-C120#TAS	9"MDI SEP 200X175 SMALL SYM	\$182	A02B-0218-H010#D1	I/O D1 SRC: 96/72, 9" CRT	\$1,348
A02B-0210-C122#MA	MDI SEPARATE FULLKEY ENG (CE)	\$455	A02B-0218-H010#D2	I/O D2 SRC: 96/72, 7.2" LCD	\$1,348
A02B-0210-C122#MAS	MDI SEPARATE FULLKEY SYM (CE)	\$455	A02B-0218-H010#D3	I/O D3 SRC: 96/72, 14" CRT, 9.5"	\$1,348
A02B-0210-C122#TAS	9"MDI SEP 200X260 STANDRD SYM	\$455	A02B-0218-H010#E0	I/O BOARD E0 96/64 SOURCE	\$1,275
A02B-0210-H001	MAIN CPU BD 21-TB	\$820	A02B-0218-H010#E1	I/O BOARD E1 96/64 SOURCE	\$1,275
A02B-0210-H011	I/O B (48 IN/32 OUT)/ 9" CRT	\$729	A02B-0218-H010#E2	I/O BOARD E2 96/64 SOURCE	\$1,275
A02B-0210-H012	I/O C (96 IN/64 OUT)/ 7.2" LCD	\$1,275	A02B-0218-H010#E5	I/O BOARD E5 64/32 SOURCE	\$729
A02B-0210-H013	I/O D (48 IN/32 OUT)/ 7.2" LCD	\$729	A02B-0218-H010#E6	I/O BOARD E6 64/32 SOURCE	\$729
A02B-0210-H020	SPINDLE, SERIAL, NO MACRO EXE	\$182	A02B-0218-H010#E7	I/O BOARD E7 64/32 SOURCE	\$729
A02B-0210-H030	PMC/RA1 MOD WITH I/O LINK	\$73	A02B-0218-H020	SPINDLE CONTROL MODULE A	\$182
A02B-0210-H032	PMC/RA3 MOD WITH I/O LINK	\$200	A02B-0218-H021	SPINDLE CNTL MOD B + ADDL MEM	\$392
A02B-0210-H101	POWER SUPPLY UNIT	\$182	A02B-0218-H022	SPINDLE CONTROL MODULE C	\$182
A02B-0210-J010	ADDN AXIS MODULE	\$364	A02B-0218-H023	SPINDLE CNTL MOD D + ADDL MEM	\$392
A02B-0210-K701#4083	LADDER EDITING MODULE	\$394	A02B-0218-H026	SPINDLE CONTROL MODULE G	\$200
A02B-0210-K710#A	MDI KEYSH SPARE ENG	\$26	A02B-0218-H030	PMC CIRCUIT RA1 (WITH I/O LINK)	\$109
A02B-0210-K710#S	MDI KEYSH SPARE SYM	\$24	A02B-0218-H031	PMC CIRCUIT RA1 (W/O I/O LINK)	\$73
A02B-0210-K711#A	MDI KEYSH SPARE ENG	\$26	A02B-0218-H032	PMC CIRCUIT RA3 (WITH I/O LINK)	\$419
A02B-0210-K711#S	MDI KEYSH SPARE SYM	\$26	A02B-0218-H033	PMC CIRCUIT RA3 (W/O I/O LINK)	\$383
A02B-0210-K712#A	MDI SMALL SHEET (ENG) SPARE	\$26	A02B-0218-H100	POWER SUPPLY UNIT A ( S21-MB)	\$319
A02B-0210-K712#S	MDI SMALL SHEET (SYM) SPARE	\$26	A02B-0218-H101	POWER SUPPLY UNIT B ( S210-MB)	\$319
A02B-0210-K713#A	MDI FULL KEYSHEET (ENG) SPARE	\$26	A02B-0218-H171#3	NAMEPLATE GE FANUC 3-SLOT	\$1
A02B-0210-K713#S	MDI FULL KEYSHEET (SYM) SPARE	\$26	A02B-0218-H190#B	NAMEPLATE GE FANUC	\$1
A02B-0210-K714#A	MDI FULL KEYSHEET (ENG) SPARE	\$291	A02B-0218-H190#D	NAMEPLATE GE FANUC	\$1
A02B-0210-K714#S	MDI FULL KEYSHEET (SYM) SPARE	\$291	A02B-0218-H191#B	NAMEPLATE GE FANUC	\$1
A02B-0210-K715#A	SPARE MDI KEYSH, FULLKEY (ENG)	\$291	A02B-0218-H192#B	NAMEPLATE GE FANUC	\$1
A02B-0210-K715#S	SPARE MDI KEYSH, FULLKEY (SYM)	\$291	A02B-0218-H193#B	NAMEPLATE GE FANUC	\$1
A02B-0211-C020#R	HANDY OPERATOR'S PANEL ENG (CE	\$2,778	A02B-0218-H194#B	NAMEPLATE GE FANUC	\$1
A02B-0211-C020#S	HANDY OPERATOR'S PANEL SYM (CE	\$2,778	A02B-0218-H194#D	NAMEPLATE GE FANUC	\$1
A02B-0211-C050#R	HANDY OPERATOR'S PANEL (TYPE B) ENG	\$2,778	A02B-0218-J001	GRAPHIC MODULE	\$303
A02B-0211-C200	HANDY OPERATOR'S PANEL	\$2,368	A02B-0218-J040	ADDITIONAL MEMORY MODULE	\$1,250
A02B-0211-C220	HSSB ADAPTER	\$168	A02B-0218-K701#4085	LADDER EDITING CARD	\$394
A02B-0211-H020	INTERNAL I/O CARD	\$321	A02B-0218-K701#4087	LADDER EDITING CARD FOR LOADER	\$394
A02B-0211-H033	PMC CONTROL MODULE	\$331	A02B-0219-H002	MAIN BOARD S21-TB (VERSION B)	\$1,093
A02B-0211-H061	MEMORY MODULE B	\$487	A02B-0219-H020	SPINDLE CONTROL MODULE A	\$182
A02B-0211-H063	MEMORY MODULE D	\$403	A02B-0219-H022	SPINDLE CONTROL MODULE C	\$182
A02B-0211-J011	CRT MODULE	\$184	A02B-0219-H030	PMC CIRCUIT RA1 (WITH I/O LINK)	\$73
A02B-0211-J012	TOUCH PANEL CONTROL PM-H	\$182			
A02B-0211-J020	SERVO MODULE (3/4)	\$335			
A02B-0211-J021	SERVO MODULE 5/6 AXES	\$335			

RENEWAL PARTS  
PRICING

D-16





Part Number	Description	Price	Part Number	Description	Price
A02B-0219-H031	PMC CIRCUIT RA1 (W/O I/O LINK)	\$73	A02B-0222-H070	MAIN CPU PROG MEM A	\$342
A02B-0219-H032	PMC CIRCUIT RA3 (WITH I/O LINK)	\$200	A02B-0222-H071	MAIN CPU PROG MEM B	\$491
A02B-0219-H033	PMC CIRCUIT RA3 (W/O I/O LINK)	\$182	A02B-0222-H072	MAIN CPU PROG MEM C	\$615
A02B-0219-H101	POWER SUPPLY UNIT B	\$319	A02B-0222-H073	MAIN CPU PROG MEM D	\$1,143
A02B-0219-H190#D	NAMEPLATE GE FANUC	\$1	A02B-0222-H074	MAIN CPU PROG MEM E	\$1,671
A02B-0219-H191#B	NAMEPLATE GE FANUC	\$1	A02B-0222-H075	MAIN CPU ADDL SRAM A	\$176
A02B-0219-H192#B	NAMEPLATE GE FANUC	\$1	A02B-0222-H076	MAIN CPU ADDL SRAM B	\$410
A02B-0219-H193#B	NAMEPLATE GE FANUC	\$1	A02B-0222-H077	MAIN CPU ADDL SRAM C	\$774
A02B-0219-H194#B	NAMEPLATE GE FANUC	\$1	A02B-0222-J020	OPT-2 SPINDLE CONTROL CKT A	\$61
A02B-0219-H194#D	NAMEPLATE GE FANUC	\$1	A02B-0222-J021	OPT-2 SPINDLE CONTROL CKT B	\$189
A02B-0219-J010	ADDITIONAL AXIS MODULE	\$364	A02B-0222-J022	OPT-2 SPINDLE CONTROL CKT C	\$130
A02B-0219-J040	ADDITIONAL MEMORY MODULE	\$1,250	A02B-0222-J035	CONTROL UNIT GRAPHICS BOARD	\$1,532
A02B-0219-J041	ADDL MEMORY MODULE (FOR LR)	\$1,439	A02B-0222-J050	OPT-2 BOARD ADDL 2-AXES	\$1,833
A02B-0220-J120	LOADER CONTROL BRD 2 AXES	\$3,022	A02B-0222-J051	OPT-2 BOARD ADDL 4-AXES	\$2,873
A02B-0220-J121	LOADER CONTROL BRD 4 AXES	\$3,637	A02B-0222-J052	OPT-2 BD ADDL 2-AXES/LEARNING	\$3,647
A02B-0220-J124	LOADER CONTROL PMC WITH I/O LI	\$204	A02B-0222-J053	OPT-2 BD ADDL 4-AXES/LEARNING	\$4,695
A02B-0220-J125	LOADER CONTROL PMC W/O I/O LIN	\$128	A02B-0222-J054	OPT-2 BOARD NO AXIS	\$829
A02B-0220-J130	LOADER CONTROL MAIN MEM A	\$228	A02B-0222-J060	OPT-2 BOARD SUB CPU 2-AXES	\$3,839
A02B-0221-H191	NAME PLATE (GE FANUC S18-PC)	\$1	A02B-0222-J061	OPT-2 BOARD SUB CPU 4-AXES	\$5,084
A02B-0221-H193	NAME PLATE (GE FANUC S18-PC)	\$1	A02B-0222-J062	OPT-2 BOARD SUB CPU 6-AXES	\$6,329
A02B-0221-H195	NAMPLT (GEFANUC) FOR 14" CRT	\$1	A02B-0222-J063	OPT-2 BD SUB CPU 2-AXES/LEARNI	\$6,591
A02B-0221-H197	NAME PLATE (GE FANUC S18-PC)	\$1	A02B-0222-J064	OPT-2 BD SUB CPU 4-AXES/LEARNI	\$8,554
A02B-0222-C059	8.4" COLOR LCD SEPARATE TYPE	\$3,948	A02B-0222-J065	OPT-2 BD SUB CPU 6-AXES/LEARNI	\$10,517
A02B-0222-C061#MBR	9.5" LCD/MDI STANDARD ENG (CE)	\$5,578	A02B-0222-J070	OPT-2 HIGH SPEED DI FUNC A	\$364
A02B-0222-C061#TBR	9.5" LCD/MDI STANDARD	\$5,578	A02B-0222-J071	OPT-2 ANALOG I/O, HI-SPD DI	\$364
A02B-0222-C071#MBR	14" CRT/MDI HORZ COL ENG (CE)	\$5,175	A02B-0222-J075	OPT-2 ADDL RAM A	\$176
A02B-0222-C071#MBS	14" CRT/MDI HORZ COL SYM (CE)	\$5,175	A02B-0222-J076	OPT-2 ADDL RAM B	\$410
A02B-0222-C071#TBR	14" CRT/MDI HORZ COL ENG (CE)	\$5,175	A02B-0222-J077	OPT-2 ADDL RAM C	\$774
A02B-0222-C071#TBS	14" CRT/MDI HORZ COL SYM (CE)	\$5,175	A02B-0222-J080	OPT-2 MAIN MEM A	\$228
A02B-0222-C071#TFBR	14" CRT/MDI HRZ CAP-II ENG (CE)	\$5,175	A02B-0222-J081	OPT-2 MAIN MEM B	\$387
A02B-0222-C071#TFBS	14" CRT/MDI HRZ CAP-II SYM (CE)	\$5,175	A02B-0222-J083	OPT-2 MAIN MEM D	\$968
A02B-0222-C072#MBR	14" CRT/MDI VERT COL ENG (CE)	\$5,175	A02B-0222-J085	OPT-2 MACRO MEM A	\$319
A02B-0222-C072#MBS	14" CRT/MDI VERT COL SYM (CE)	\$5,175	A02B-0222-J086	OPT-2 MACRO MEM B	\$667
A02B-0222-C072#TBR	14" CRT/MDI VERT COL ENG (CE)	\$5,175	A02B-0222-J120	LOADER CONTROL BOARD 2-AXES	\$3,022
A02B-0222-C072#TBS	14" CRT/MDI VERT COL SYM (CE)	\$5,175	A02B-0222-J121	LOADER CONTROL BOARD 4-AXES	\$3,637
A02B-0222-C072#TFBR	14" CRT/MDI VRT CAP-II ENG (CE)	\$5,175	A02B-0222-J122	LOADER CONTROL 2-AXES/LEARNING	\$3,204
A02B-0222-C072#TFBS	14" CRT/MDI VRT CAP-II SYM (CE)	\$5,175	A02B-0222-J123	LOADER CONTROL 4-AXES/LEARNING	\$3,898
A02B-0222-C081	7.2" LCD SEP TYPE MONO STN	\$2,277	A02B-0222-J124	LOADER CONTROL, PMC CONTROL CI	\$204
A02B-0222-C110	9.5" SEPARATE TYPE LCD MONO	\$2,391	A02B-0222-J125	LOADER CONTROL, PMC CONTROL CI	\$128
A02B-0222-C132#MAR	8.4" LCD/MDI SMALL KEY, ENG	\$4,153	A02B-0222-J130	LOADER CONTROL BOARD, MAIN MEM	\$228
A02B-0222-C132#MAS	8.4" LCD/MDI SMALL KEY, SYM	\$4,153	A02B-0222-J131	LOADER CONTROL BOARD, MAIN MEM	\$387
A02B-0222-C132#TAS	8.4" LCD/MDI SMALL KEY, ENG	\$4,153	A02B-0222-J135	LOADER CONTROL BD, MACRO ROM A	\$319
A02B-0222-C132#TAS	8.4" LCD/MDI SMALL KEY, SYM	\$4,153	A02B-0222-J160	BACKGROUND GRAPHICS BOARD	\$3,074
A02B-0222-C136#MAS	8.4" LCD/MDI FULL KEY, SYM	\$4,221	A02B-0222-J311	PROFIBUS DP BOARD	\$2,732
A02B-0222-C136#TAS	8.4" LCD/MDI FULL KEY, ENG	\$4,221	A02B-0228-H001	MAIN CPU BOARD 2-AXES	\$2,627
A02B-0222-C136#TAS	8.4" LCD/MDI FULL KEY, SYM	\$4,221	A02B-0228-H002	MAIN CPU BOARD 4-AXES	\$3,219
A02B-0222-C137#MAR	8.4" LCD/MDI FULL KEY, ENG	\$4,221	A02B-0228-H003	MAIN CPU BOARD 6-AXES	\$4,403
A02B-0222-C150	10.4" LCD, SEP. VGA COLOR TFT	\$4,834	A02B-0228-H004	MAIN CPU BD 2-AXES/LEARNING	\$3,538
A02B-0222-C151#MBR	10.4" LCD/MDI HOR	\$5,175	A02B-0228-H005	MAIN CPU BD 4-AXES/LEARNING	\$5,041
A02B-0222-C151#MBS	10.4" LCD/MDI HOR	\$5,175	A02B-0228-H006	MAIN CPU BD 6-AXES/LEARNING	\$7,136
A02B-0222-C151#TBS	10.4" LCD/MDI HOR	\$5,175	A02B-0228-J060	OPT-2 BOARD SUB CPU 2-AXES	\$2,004
A02B-0222-C151#TFBR	10.4" LCD/MDI HOR	\$5,175	A02B-0228-J061	OPT-2 BOARD SUB CPU 4-AXES	\$3,087
A02B-0222-C151#TFBS	10.4" LCD/MDI HOR	\$5,175	A02B-0228-J062	OPT-2 BD SUB CPU 2-AXES/LEARN	\$3,406
A02B-0222-C152#MBR	10.4" LCD/MDI VER	\$5,175	A02B-0228-J063	OPT-2 BD SUB CPU 4-AXES/LEARN	\$4,909
A02B-0222-C152#MBS	10.4" LCD/MDI VER	\$5,175	A02B-0231-C400	PROFIBUS	\$1,434
A02B-0222-C152#TBR	10.4" LCD/MDI VER	\$5,175	A02B-0234-C120#EC	KEYBOARD, INDUSTRIAL PC	\$615
A02B-0222-C152#TBS	10.4" LCD/MDI VER	\$5,175	A02B-0234-K200	CONNECTION CABLE	\$26
A02B-0222-C152#TFBR	10.4" LCD/MDI VER	\$5,175	A02B-0234-K210	NCB DIST CABLE	\$228
A02B-0222-C152#TFBS	10.4" LCD/MDI VER	\$5,175	A02B-0234-K211	3/4 AXIS BD DIST CABLE	\$137
A02B-0222-C160	10.4" LCD SEP VGA COLOR TFT	\$4,834	A02B-0236-C120#MBS	MDI SEP SMALL KEY ENG (M)	\$182
A02B-0222-C161#AM4	10.4" LCD/MDI AMADA	\$5,175	A02B-0236-C120#MBS	MDI SEP SMALL KEY SYM (M)	\$182
A02B-0222-C161#TBR	10.4" LCD/MDI COL HORZ ENG MMC4	\$5,175	A02B-0236-C120#TBR	MDI SEP SMALL KEY ENG (T)	\$182
A02B-0222-C162#MBS	10.4" LCD/MDI COL VERT ENG MMC4	\$5,175	A02B-0236-C120#TBS	MDI SEP SMALL KEY SYM (T)	\$182
A02B-0222-C165	10.4" LCD COLOR SEPARATE	\$4,834	A02B-0236-C121#MBS	MDI SEP STD KEY ENG (M)	\$273
A02B-0222-H001	MAIN CPU BOARD 2-AXES	\$2,953	A02B-0236-C121#MBS	MDI SEP STD KEY SYM (M)	\$273
A02B-0222-H002	MAIN CPU BOARD 4-AXES	\$3,996	A02B-0236-C121#TBR	MDI SEP STD KEY ENG (T)	\$273
A02B-0222-H003	MAIN CPU BOARD 6-AXES	\$5,039	A02B-0236-C121#TBS	MDI SEP STD KEY SYM (T)	\$273
A02B-0222-H004	MAIN CPU BD 2-AXES/LEARNING	\$3,142	A02B-0236-C125#MBS	MDI SEP STD KEY ENG (M)	\$273
A02B-0222-H005	MAIN CPU BD 4-AXES/LEARNING	\$4,599	A02B-0236-C125#TBR	MDI SEP STD KEY ENG (T) (2G01)	\$273
A02B-0222-H006	MAIN CPU BD 6-AXES/LEARNING	\$5,692	A02B-0236-C125#TBS	MDI SEP STD KEY SYM (T)	\$273
A02B-0222-H020	MAIN CPU, SPINDLE CONTROL A	\$157	A02B-0236-C125#TFBR	MDI SEP KEY ENG T HORZ CAP II	\$273
A02B-0222-H021	MAIN CPU, SPINDLE CONTROL B	\$291	A02B-0236-C125#VBR	MDI UNIT	\$273
A02B-0222-H022	MAIN CPU, SPINDLE CONTROL C	\$226	A02B-0236-C126#MBS	MDI SEP STD KEY ENG (M)	\$273
A02B-0222-H030	MAIN CPU PMC CONTROL B	\$1,692	A02B-0236-C126#MBS	MDI SEP STD KEY SYM (M)	\$273
A02B-0222-H031	MAIN CPU PMC CONTROL A	\$1,614	A02B-0236-C126#TBR	MDI SEP STD KEY ENG (T)	\$273
A02B-0222-H039	MAIN CPU NO PMC CONTROL	\$1	A02B-0236-C127#MBS	MDI SEP STD KEY ENG (M)	\$273
A02B-0222-H040	MAIN CPU CHAR DISPLAY CKT A	\$280	A02B-0236-C127#TBR	MDI SEP STD KEY ENG (T)	\$273
A02B-0222-H042	MAIN CPU CHAR DISPLAY CKT B	\$280	A02B-0236-C128#T	KEYBOARD ASSEMBLY	\$405
A02B-0222-H046	MAIN CPU CHAR DISP CKT C MMCIV	\$280	A02B-0236-C129#T	MDI UNIT	\$405
A02B-0222-H047	MAIN CPU CHAR DISPLAY CKT E	\$280	A02B-0236-C130#EC	MDI SEP FULL KEY ENG	\$583
A02B-0222-H049	MAIN CPU CHAR DISP CKT D MMCIV	\$1	A02B-0236-C131#EC	FA FULL-KEYBOARD 1	\$583
A02B-0222-H050	MAIN CPU MAIN MEM A	\$228	A02B-0236-C140#MBS	OPER PNL I FULL M ENG MEMBRANE	\$2,001
A02B-0222-H051	MAIN CPU MAIN MEM B	\$387	A02B-0236-C140#TBR	OPER PNL I FULL T ENG MEMBRANE	\$2,001
A02B-0222-H053	MAIN CPU MAIN MEM D	\$968	A02B-0236-C140#TBS	OPER PNL I FULL T SYM MEMBRANE	\$2,001



# A02B-0236-C141#M

Part Number	Description	Price	Part Number	Description	Price
A02B-0236-C141#M	OPERATOR PANEL	\$1,366	A02B-0236-K161	PCMCIA SECURITY FIXTURE 9.5"/10.4" LCDs	\$59
A02B-0236-C141#MBR	OPER PNL I, SML M ENG MEMBRANE	\$1,528	A02B-0236-K170	OPER PNL I EXTRA KEYCAPS TRANSPAREN	\$28
A02B-0236-C141#MBS	OPER PNL I, SML M SYM MEMBRANE	\$1,528	A02B-0236-K171	OPER PNL I EXTRA KEYCAPS BLANK	\$47
A02B-0236-C141#TBR	OPER PNL I, SML T ENG MEMBRANE	\$1,528	A02B-0236-K172	OPER PNL I EXTRA KEYCAPS SYMBOLIC	\$77
A02B-0236-C141#TBS	OPER PNL I, SML T SYM MEMBRANE	\$1,528	A02B-0236-K173	OPER PNL I EXTRA KEYCAPS, ENGLISH	\$77
A02B-0236-C141#YR	OPER PNL I, SML T ENG MEMBRANE (F1-F5)	\$1,528	A02B-0236-K201	CONNECTOR OF I/O LINK-II INTERFACE	\$9
A02B-0236-C150#B	OPERATOR PANEL, CHIRON	\$1,275	A02B-0236-K211#YS	KEYSHEET FULL T SYM MEMB F1-F5	\$71
A02B-0236-C150#MBR	OPER PNL M SERIES I 290MM ENG	\$1,314	A02B-0236-K220	PCB CONVERTOR	\$61
A02B-0236-C150#TBR	OPER PNL T SERIES I 290MM ENG	\$1,314	A02B-0236-K302	CONN, IDC (20PIN, MINI, FEM)	\$6
A02B-0236-C160	LOADER I/O BOARD	\$533	A02B-0236-K303	CONNECTOR, MDI CA55, 20-PIN	\$20
A02B-0236-C191	PUNCH PANEL, SLIM, LENGTH 1 M	\$182	A02B-0236-K311	CONN FOR LOADER CONTROL BOARD	\$7
A02B-0236-C192	PUNCH PANEL, SLIM, LENGTH 2 M	\$182	A02B-0236-K312	CONN, AMP 178289-5, 1-175218-5	\$5
A02B-0236-C193	PUNCH PANEL, SLIM, LENGTH 5 M	\$182	A02B-0236-K313	CONN, AMP 178289-8, 1-175218-5	\$9
A02B-0236-C203	EXT FEEDBACK UNIT A (1-4), DIN	\$638	A02B-0236-K314	CONN, HIROSE HIF3BA-10D-2.54R	\$2
A02B-0236-C204	EXT FEEDBACK UNIT B (5-8), DIN	\$269	A02B-0236-K701#407A	PMC-SA1/SB5/SB6 LAD EDIT CARD	\$918
A02B-0236-C211	FSSB I/O MODULE	\$533	A02B-0236-K810	CABLE, ALPHA SPINDLE SIGNAL	\$162
A02B-0236-C212	FSSB I/O MODULE EXTENSION UNIT	\$269	A02B-0236-K811	MDI SIGNAL CABLE, HORZ	\$98
A02B-0236-C221	PROFIBUS ADAPTOR UNIT	\$287	A02B-0236-K812	MDI SIGNAL CABLE, SML VERT/STD	\$100
A02B-0236-C230	OPER PNL i Vert Main A SYM w/MDI 290x300	\$1,459	A02B-0236-K813	MDI SIGNAL CABLE, 45CM	\$47
A02B-0236-C231	OPER PANEL i Horz Main B SYM 290x180	\$1,255	A02B-0236-K821	SERVO CHECK ADAPTOR W/CBL	\$51
A02B-0236-C232	OPER PANEL i Vert Sub A 290x60	\$342	A02B-0236-K822	ADPTR I SERIES SRVO CHK BOARD	\$98
A02B-0236-C233	OPER PNL I HORZ SUB B 110X180	\$273	A02B-0236-K831	CABLE FOR EXTERNAL FEEDBACK A-B	\$41
A02B-0236-C235	MACHINE OPER PNL I HORZ SUB B1 110X180	\$273	A02B-0236-K844	CABLE, S-SERIES SPINDLE SIGNAL	\$84
A02B-0236-C236	OPER PNL I HORZ SUB C1 230X180	\$747	A02B-0236-K845	SERIAL SPINDLE CABLE, 5M	\$69
A02B-0236-C240	OPER PANEL I VERT MAIN A ENG W/MDI	\$1,459	A02B-0236-K847	SERIAL SPINDLE CABLE, 1M, OPTO-ELECTRIC I	\$38
A02B-0236-C241	OPER PANEL I HORZ MAIN B ENG	\$1,255	A02B-0236-K851	CABLE F/O (FSSB JUMPER) 15cm	\$7
A02B-0236-C254	PC I/F CONNECTION UNIT	\$373	A02B-0236-K852	CABLE F/O (FSSB JUMPER) 30cm	\$7
A02B-0236-C255	ISA EXTENSION UNIT	\$163	A02B-0236-K854	CABLE F/O (FSSB JUMPER) 2m	\$10
A02B-0236-C261	PC CARD	\$1,806	A02B-0240-H003	E VERSION MAIN CPU BOARD	\$1,821
A02B-0236-C268	PC I/F Connection Unit	\$332	A02B-0240-H207	15-MEK 9" CRT/MDI/PDP NAMEPLAT	\$1
A02B-0236-C269	ISA Expansion	\$145	A02B-0240-H481	E VER ACCURACY DESIGNAT W PE	\$1
A02B-0236-C281	BATT CASE FOR CNC, EXTNL MOUNT	\$135	A02B-0240-H482	E VER ACCURACY DESIGNAT W PE C	\$3
A02B-0236-C320#MBR	SEP MDI 220x230 M ENG CE	\$273	A02B-0241-H217	15-MEL 14" (HOR+VER)+9.5/10.4	\$1
A02B-0236-C320#TBR	SEP MDI 220X230 "T" CE ENG	\$273	A02B-0241-H224	15-MEL 9.5/10.4 HORZ NAMEPLATE	\$1
A02B-0236-C327#MBR	SEPARATE TYPE MDI M ENG UNIT 2	\$273	A02B-0242-H207	15-TED 9" CRT/MDI/PDP NAMEPLAT	\$1
A02B-0236-C327#TBS	SEPARATE TYPE MDI T SYM UNIT 3	\$273	A02B-0243-H217	15-TEE 14" (HOR+VER)+9.5/10.4	\$1
A02B-0236-C402#A	HDD DATA SERVER 4.2GB	\$918	A02B-0243-H224	15-TEE 9.5/10.4 HORZ NAMEPLATE	\$1
A02B-0236-C416#B	HDD 3.5"	\$1,243	A02B-0244-H217	15-TEF 14" (HOR+VER)+9.5/10.4	\$1
A02B-0236-C421	USE A02B-0236-C423#A WHEN OUT	\$1,614	A02B-0244-H224	15-TEF 9.5/10.4 HORZ NAMEPLATE	\$1
A02B-0236-C422#A	HDD FOR 160i/180i/210i W/PENTIUM	\$804	A02B-0247-H181#KM1	NAMEPLATE	\$13
A02B-0236-C423#A	HDD FOR 160i/180i/210i W/PENTIUM	\$1,614	A02B-0247-K301	ROTARY SWITCH, FANUC OPER PNL	\$84
A02B-0236-C432#C	HDD	\$808	A02B-0249-H001	16-C SERCOS MAIN CPU	\$3,265
A02B-0236-D001	COVER TP	\$305	A02B-0259-C020	FAN UNIT	\$133
A02B-0236-D100#2D	CASE 2 SLOT	\$59	A02B-0259-C052	PUNCH PANEL	\$228
A02B-0236-D651	10.4" UNIT	\$2,092	A02B-0259-C180	ANALOG SERVO I/F UNIT FSSB, CH 1&2	\$870
A02B-0236-D801#B	LCD, 8.4" SMALL UNIT i SERIES	\$1,662	A02B-0259-C181	ANALOG SERVO I/F UNIT FSSB, CH 3&4	\$254
A02B-0236-D811#A	10.4" LCD UNIT	\$2,033	A02B-0259-C191	PUNCH PANEL	\$182
A02B-0236-D811#AT	10.4" LCD UNIT TOUCH PANEL	\$2,152	A02B-0259-C192	PUNCH PANEL	\$182
A02B-0236-D812#P	PANEL 10.4" LCD UNIT	\$2,045	A02B-0259-C193	PUNCH PANEL	\$182
A02B-0236-D841#A	9.5" LCD UNIT	\$929	A02B-0259-C202	DPL/MDI ADAPTER (2M)	\$182
A02B-0236-H082	Servo Control 3/4-axis Main A	\$1,116	A02B-0259-C211	MONO LCD WITH TOUCH PANEL	\$2,914
A02B-0236-H083	Servo Control 5/6-axis Main A	\$1,639	A02B-0259-C212	COLOR LCD WITH TOUCH PANEL	\$3,802
A02B-0236-J091	PMC C-LANG BOARD W 2MB DRAM	\$1,275	A02B-0259-C220	HANDY OPERATOR'S PANEL INTERFACE UN	\$248
A02B-0236-J092	PMC C-LANG BOARD W 4MB DRAM	\$1,343	A02B-0259-C221#A	HANDY OPERATOR'S PANEL HAND-HELD UNIT	\$1,088
A02B-0236-J140	DATA SERVER, FAST (FOR LCD MOUNT)	\$1,116	A02B-0259-C301	CRT LINK ADAPTER	\$46
A02B-0236-J141	DATA SERVER BOARD	\$2,254	A02B-0259-D001	CRT LINK END UNIT	\$38
A02B-0236-J145	DATA SERVER /ATA LCD	\$1,229	A02B-0259-D021	LCD UNIT F/HANDY MACH OPER PNL	\$39
A02B-0236-J146	DATA SERVER HDD, MDI C121	\$2,058	A02B-0259-D022	EMER STOP SW + CABLE F/HANDY MACH	\$32
A02B-0236-J147	DATA SERVER HDD, MDI C125/C126	\$2,058	A02B-0259-D023	ON/OFF & OVERRIDE SW F/HANDY MACH	\$43
A02B-0236-J180	ANALOG INPUT BOARD	\$599	A02B-0259-D024	3 POS SW F/HANDY MACH OPER PNL	\$62
A02B-0236-J190	I/O BOARD 156/120	\$1,578	A02B-0259-H022	SERVO MODULE C, 4-AXES, HI-SPEED	\$706
A02B-0236-J202	HSSB BD CNC SIDE, I SERIES LCD-STYLE	\$797	A02B-0259-H024	SERVO MODULE C, 8-AXES, HI-SPEED	\$1,594
A02B-0236-J254	PC INTERFACE CONNECTION UNIT	\$888	A02B-0259-H032	DRAM MODULE/4MB	\$91
A02B-0236-J255	ISA EXTENSION UNIT	\$501	A02B-0259-J010	BACK PANEL	\$223
A02B-0236-J256	HARD DISK 1080MB W/ CONN H/W	\$1,343	A02B-0259-J199	BLANK PANEL	\$4
A02B-0236-J257	HARD DISK 1080MB W/O CONN H/W	\$1,343	A02B-0259-J242	DEVICENET SLAVE BOARD "B"	\$2,505
A02B-0236-J259	HDD UNIT ADAPTER	\$178	A02B-0259-J272	FL NET BOARD	\$1,093
A02B-0236-J262	PC CARD PENTIUM-120 W/32M DRAM	\$2,596	A02B-0259-K130	KEYSHEET, CLEAR - HANDY OPERATOR'S	\$61
A02B-0236-J266	HARD DISK OPTION 1	\$1,047	A02B-0259-K201	FLASH MEMORY CARD	\$250
A02B-0236-J268	PC INTERFACE CONNECTION UNIT	\$410	A02B-0259-K211	TERMINAL, DEVICENET "B" (31 CONTACTS)	\$60
A02B-0236-J269	ISA EXTENSION UNIT	\$168	A02B-0259-K701#407D	LADDER EDITING CARD	\$394
A02B-0236-J272	OPTION UNIT ADAPTER	\$178	A02B-0259-K811	CABLE/CRT LINK	\$49
A02B-0236-J282	I/O LINK II - SLAVE MODULE	\$1,300	A02B-0259-K812	CABLE/CRT LINK	\$74
A02B-0236-J291	ETHERNET BOARD, SERIES I CNCS	\$979	A02B-0259-K813	CABLE/CRT LINK	\$39
A02B-0236-J292	ETHERNET BD (W/IDE) FOR I SERIES (L	\$979	A02B-0259-K814	CABLE/CRT LINK	\$49
A02B-0236-J293	ETHERNET BOARD, FAST (FOR LCD MOUNT)	\$956	A02B-0259-K815	CABLE/CRT LINK	\$74
A02B-0236-J301	DEVICE NET INTERFACE BOARD	\$3,188	A02B-0259-K850	CABLE, FSSB ANALOG SERVO I/F UNIT	\$17
A02B-0236-J311	PROFIBUS DP BOARD	\$1,837	A02B-0261-C101	10.4"LCD COL GRAPHICS 12SKEY	\$4,941
A02B-0236-J410	ADAPTER PLATE A	\$20	A02B-0261-C111	9.5"LCD MONO GRAPHICS 12SKEY	\$2,391
A02B-0236-K100	FUSE, S16/18/21I CONTROL UNIT	\$4	A02B-0261-C121	9.5"LCD MONO CHARACTER 12SKEY	\$1,935
A02B-0236-K101	FUSE, S160/180/210I CNTRL UNIT	\$4	A02B-0261-C152#MCR	SEP MDI M VERT 220X290 ENG (use 61-key)	\$273
A02B-0236-K118	SPARE PARTS PROT SHEET 12.1"	\$10	A02B-0261-C161#MCR	MDI UNIT 61-KEY VERT ENG (10.4"/9.5")	\$273
A02B-0236-K140	HDD FIXING PLATE FOR DATASERVER	\$7	A02B-0261-C162#MCR	MDI UNIT 61-KEY HORZ ENG (10.4"/9.5")	\$273
A02B-0236-K141	CABLE KIT DATA SERVER 3.5" HDD	\$135	A02B-0261-C162#MCS	MDI UNIT 61-KEY HORZ SYM (10.4"/9.5)	\$273

RENEWAL PARTS  
PRICING

D-18



A02B-0261-C163#MCR

Part Number	Description	Price	Part Number	Description	Price
A02B-0261-C163#MCR	MDI UNIT 61-KEY VERT ENG (10.4"/PC)	\$273	A03B-0403-K041	CABLE (POSITION MATE C)	\$189
A02B-0261-C164#MCR	MDI SEP HORZ ENGLISH KEY	\$273	A03B-0404-B001	CONTROL UNIT	\$2,195
A02B-0261-C174#A	HDD	\$1,646	A03B-0404-J001	POWER OPTION A	\$770
A02B-0261-J011	DATA SERVER BOARD	\$1,025	A03B-0404-J002	POWER OPTION B	\$2,195
A02B-0261-J012	DATA SERVER BOARD A2	\$1,229	A03B-0404-K001	CABLE CLAMP	\$44
A02B-0261-J101	CNC-SIDE HSSB INTERFACE BOARD	\$797	A03B-0404-K010	SPARE FUSES KIT	\$11
A02B-0261-J121	PROFIBUS DP SLAVE MODULE	\$870	A03B-0404-K801	CABLE + CONNECTOR J1 CPC-PC	\$371
A02B-0261-J122	PROFIBUS DP MASTER MODULE	\$1,389	A03B-0404-K802	CABLE	\$312
A02B-0261-K001	HARD DISK CONNECTION CABLE	\$105	A03B-0404-K804	CABLE	\$212
A02B-0261-K121	FUSE FOR DATA SERVER HARD DISK	\$6	A03B-0404-K805	POWER MAG CABLE J2/J3 CMCL	\$237
A02B-0265-C061	LCD 9.5" MONO 12SKEY GRAPHICS	\$2,391	A03B-0404-K900	CONNECTOR (25PS)	\$11
A02B-0265-C066	LCD 9.5" MONO 12SKEY NOGRAPHICS	\$1,935	A03B-0404-K901	CONNECTOR (25PC)	\$8
A02B-0265-C071	LCD 10.4" COL 12SKEY GRAPHICS	\$4,941	A03B-0405-C001	CRT/MDI UNIT	\$2,709
A02B-0265-C072	10.4" LCD	\$4,941	A03B-0405-H010	MDI / DISPLAY DETACH	\$1,346
A02B-0265-C081	LCD 10.4" COL TCHSCR GRAPHICS	\$5,874	A03B-0405-H020	BATTERY & CABLE	\$130
A02B-0265-C101	FAN	\$61	A03B-0405-K020	VC MOUNT PLATE	\$257
A02B-0265-C503	3 SLOT UNIT SERIES I	\$1,029	A03B-0405-K801	CABLE ASSM J27 5M MDI-DPL UNIT	\$307
A02B-0265-H061	DISPLAY CONTROL A:DEDICATED LCD/MDI	\$159	A03B-0406-C001	MDI/DPL UNIT	\$2,709
A02B-0265-J030	DNC2/RS232C	\$1,503	A03B-0406-H010	MDI / DISPLAY DETACHABLE	\$1,346
A02B-0265-J152	RISC/DATA SERVER BOARD, ATA	\$5,328	A03B-0407-H010	CRT/MDI (EXTERNAL)	\$2,573
A02B-0265-J200	HSSB INTERFACE SERIES I SA RACK	\$797	A03B-0407-H015	MDI + CRT/DETACH	\$4,053
A02B-0265-J291	ETHERNET BOARD	\$979	A03B-0407-K010	SPARE FUSES	\$33
A02B-0265-K101	FUSE	\$2	A03B-0407-K801	CABLE (CRT 24 VOLT)	\$102
A02B-0265-K500	BLANK CAP, PCMCIA	\$11	A03B-0408-B001	CONTROL UNIT	\$11,521
A02B-0273-H403	MAIN BOARD B2	\$5,351	A03B-0408-C002	DPL/MDI UNIT	\$1,346
A02B-0279-C041#MA	9" CRT/MDI, SMALL	\$1,138	A03B-0408-J001	CABLE(M.P.G)	\$96
A02B-0279-C081#MA	8.4" COLOR LCD/MDI	\$3,142	A03B-0408-K001	CONNECTOR (20P CRIP)	\$18
A02B-0279-K701#4089	LADDER EDITING CARD	\$394	A03B-0408-K002	CONNECTOR (50P CRIP)	\$39
A02B-0281-C071	10.4" LCD COL W/SKEY NOTOUCH W/GRAPH	\$4,941	A03B-0408-K301	ACCESSARY	\$25
A02B-0281-C120#TBR	MDI ENG/SMALLKEY HORZ 200X140	\$182	A03B-0603-K001	DEFLECTION DISPLAY METER B	\$141
A02B-0281-C120#TBS	MDI SYM/SMALLKEY HORZ 200X140	\$182	A03B-0605-K001	DEFLECTION DISP METER 1.5MM	\$130
A02B-0281-C125#TBR	MDI ENG/STD KEY HORZ 220X230	\$273	A03B-0605-K002	DEFLECTION DISP METER 0.06 INC	\$130
A02B-0281-C125#TBS	MDI SYM/STD KEY HORZ 220X230	\$273	A03B-0801-B002	BASE UNIT	\$6,671
A02B-0281-C126#MBR	MDI ENG/STD KEY VERT 220X290	\$273	A03B-0801-C001	I/O BASE UNIT	\$1,334
A02B-0281-C320#MBR	MDI ENG/STD KEY HORZ 220X230	\$273	A03B-0801-C002	I/O BASE UNIT	\$1,334
A02B-0281-C803	SERIES IB 3 SLOT RACK	\$808	A03B-0801-C003	I/O BASE UNIT	\$1,204
A02B-0281-D500	LCD UNIT 10.4"	\$2,008	A03B-0801-C004	I/O BASE UNIT 8 SLOT	\$1,086
A02B-0281-D502	LCD UNIT 9.5" MONO	\$931	A03B-0801-C005	MAIN BASE UNIT	\$1,193
A02B-0281-D505	LCD UNIT	\$1,280	A03B-0801-C006	I/O BASE UNIT 6 SLOT	\$977
A02B-0281-J145	DATA SERVER BD, 10BASE-T, ATA	\$1,229	A03B-0801-C007	I/O BASE UNIT 4 SLOT	\$724
A02B-0281-J146	FAST DATA SERVER (FOR LCD-MOUNTED T	\$1,116	A03B-0801-C009	I/O BASE UNIT 10 SLOT	\$858
A02B-0281-J149	FAST DATA SERVER BD (100BASE-TX, AT	\$1,229	A03B-0801-C013	I/O BASE UNIT, BACK PANEL 10 SLOT	\$606
A02B-0281-J158	RISC BOARD	\$5,328	A03B-0801-C021	PCB, CPU	\$2,172
A02B-0281-J161	RISC & FAST DATA SERVER BD (100BASE	\$5,328	A03B-0801-C024	OPTICAL CABLE LINK	\$2,709
A02B-0281-J162	RISC & FAST DATA SERVER BD HI-SPD (	\$5,601	A03B-0801-C027	ROM BOARD	\$1,765
A02B-0281-J202	CNC-SIDE HSSB BOARD TYPE 2	\$797	A03B-0801-C028	PCB, ROM	\$2,113
A02B-0281-J207	CNC-SIDE HSSB BOARD TYPE 2	\$797	A03B-0801-C029	MEMORY (ROM)	\$2,755
A02B-0281-J292	ETHERNET BOARD (10BASE-T CONNECTOR)	\$979	A03B-0801-C030	PCB, ROM	\$3,780
A02B-0281-J298	ETHERNET BOARD (10BASE-T CONNECTOR)	\$979	A03B-0801-C051	POSITIONING MODULE PT01A	\$1,906
A02B-0281-J312	PROFIBUS DP MASTER BOARD	\$968	A03B-0801-C052	ANALOG INPUT MODULE	\$1,296
A02B-0281-K710	Ethernet Card for Servo Guide	\$191	A03B-0801-C053	ANALOG OUTPUT DA02A 2PT	\$1,120
A02B-0281-K822	SERVO CHECK ADAPTER	\$253	A03B-0801-C054	PULSE COUNTER 1PT	\$1,047
A02B-0299-C150#M	Compact Operator's Panel (Mill)	\$974	A03B-0801-C055	ANALOG OUTPUT DA03A 3PT	\$1,120
A02B-0299-C150#T	Compact Operator's Panel (Lathe)	\$974	A03B-0801-C101	I/O INTERFACE IF01A	\$763
A02B-0299-H191	NAMEPLATE(GE FANUC SOI-TB)	\$1	A03B-0801-C102	I/O INTERFACE IF01B	\$380
A02B-0299-K210	MEMBRANE PANELS	\$175	A03B-0801-C103	IF04C - OPT SIG. EXT	\$1,334
A02B-0303-D500	FS30i "10.4" clr LCD (w/o Touch pnl)	\$2,140	A03B-0801-C104	I/O INTERFACE IF01D	\$704
A02B-0303-D501	FS30i "10.4" clr LCD (with Touch pnl)	\$2,527	A03B-0801-C105	I/O INTERFACE IF01E	\$373
A02B-0303-D505	FS300is "10.4" clr LCD (w/o Touch pn	\$2,345	A03B-0801-C110	DC OUTPUT OD08B 8PT	\$458
A02B-0303-D506	FS300is "10.4" clr LCD (with Touch p	\$2,755	A03B-0801-C111	DC OUTPUT OD16B 16PT	\$571
A02B-0303-D513	FS30i "15" clr LCD (w/o Touch pnl)	\$3,552	A03B-0801-C112	DC OUTPUT OD32B 32PT	\$610
A02B-0303-D514	FS30i "15" clr LCD (with Touch pnl)	\$3,984	A03B-0801-C113	OD64B - DC/O 25A	\$1,143
A02B-0303-D515	FS300is "15" clr LCD (w/o Touch pnl)	\$3,552	A03B-0801-C114	DC OUTPUT OD08C 8PT	\$590
A02B-0303-D516	FS300is "15" clr LCD (with Touch pnl)	\$3,916	A03B-0801-C115	DC OUTPUT OD16C 16PT	\$724
A02B-0303-K120	FAN FOR CNC - NO OPTION SLOTS	\$52	A03B-0801-C116	AC OUTPUT OA08D 8PT	\$496
A02B-0303-K121	FAN FOR CNC - 2 OPTION SLOTS	\$52	A03B-0801-C117	AC OUTPUT OA16D 16PT	\$685
A02B-0303-K150	COMPACT FLASH CARD ADAPTER A	\$91	A03B-0801-C118	AC OUTPUT OA08E 8PT	\$533
A02B-0404-K010	SPARE FUSES KIT	\$16	A03B-0801-C119	AC OUTPUT OA16E 16PT	\$742
A02B-0404-K802	CABLE	\$333	A03B-0801-C120	DC INPUT ID08C 8PT	\$439
A02B-1001-0901	FLOPPY INTERFACE	\$422	A03B-0801-C121	DC INPUT ID16C 16PT	\$533
A02B-1053-C901	RADIATION FIN CRT/MDI 9 W/C	\$444	A03B-0801-C122	DC INPUT ID32C 32PT	\$628
A02B-1053-K303	RADIATION FIN MAG CAB 9.1 W/C	\$431	A03B-0801-C123	DC INPUT ID64C 64PT	\$1,002
A02B-1053-K304	RADIATION FIN MAG CAB 10.5 W/C	\$431	A03B-0801-C124	DC INPUT ID08D 8PT	\$439
A02B-1053-K305	RADIATION FIN MAG CAB 25.2 W/C	\$477	A03B-0801-C125	DC INPUT ID16D 16PT	\$533
A02B-1053-K401	RADIATION FIN CRT/MDI 5 W/C	\$824	A03B-0801-C126	DC INPUT ID32D 32PT	\$628
A02B-1060-K401	RADIATION FIN CRT/MDI 5 W/C	\$824	A03B-0801-C127	INPUT MODULE ID64D	\$1,011
A02B-1094-C901	RADIATION FIN CRT/MDI 9 W/C	\$444	A03B-0801-C128	AC INPUT IA08E 8PT	\$458
A02E-0135-H121	WIRE HARNESS	\$56	A03B-0801-C129	AC INPUT IA16E 16PT	\$571
A03B-0072-K810	USE A02B-0072-K810	\$115	A03B-0801-C130	DC INPUT ID08A 8PT	\$380
A03B-0072-K820	CABLE	\$18	A03B-0801-C131	DC INPUT ID16A 16PT	\$419
A03B-0403-J020	POSITION DISPLAY UNIT	\$1,186	A03B-0801-C132	DC INPUT ID32A 32PT	\$439
A03B-0403-K001	CABLE CLAMP	\$98	A03B-0801-C133	ID64A	\$610
A03B-0403-K010	FUSES	\$11	A03B-0801-C134	DC INPUT ID08B 8PT	\$380
A03B-0403-K030	POWER INPUT CONNECTOR	\$10	A03B-0801-C135	DC INPUT ID16B 16PT	\$419

RENEWAL PARTS  
PRICING

D-19



# A03B-0801-C136

Part Number	Description	Price	Part Number	Description	Price
A03B-0801-C136	DC INPUT ID32B 32PT	\$439	A03B-0807-C200	PCB, AIO40A	\$190
A03B-0801-C137	DC INPUT ID64B 64PT	\$610	A03B-0807-C303	PCB,RS232C/RS422 +5VPWR SUP	\$191
A03B-0801-C140	OD32A DC/0.125A	\$610	A03B-0807-C304	PCB,RS232C/RS422 +24VPWR SUP	\$353
A03B-0801-C141	OUTPUT MODULE OD64A DC/0.125A	\$1,148	A03B-0807-D001	CONNECTOR	\$32
A03B-0801-C142	DC OUTPUT OD08G 8PT	\$806	A03B-0807-J001	BASE UNIT ABU10A	\$187
A03B-0801-C143	DC OUTPUT OD16G 16PT	\$763	A03B-0807-J002	BASE UNIT 05 SLOT HORZ ABU05A	\$143
A03B-0801-H002	MEMORY MODULE 2A	\$1,906	A03B-0807-J003	BASE UNIT 05 SLOT VERT ABU05B	\$183
A03B-0801-H004	MEMORY MODULE 5A	\$4,765	A03B-0807-J004	BASE 10 SLOT VERT. ABU10B	\$275
A03B-0801-H802	PC FUNCTION 1DR/PSC	\$2,035	A03B-0807-J012	INTERFACE MODULE AIF01B	\$303
A03B-0801-J005	OPTICAL CABLE LINK	\$2,860	A03B-0807-J013	INTERFACE MODULE	\$389
A03B-0801-J010	I/O BASE UNIT (10)	\$858	A03B-0807-J051	ANALOG INPUT MODULE AAD04A	\$594
A03B-0801-J014	POWER MODULE A	\$667	A03B-0807-J052	ANALOG OUTPUT MODULE ADA02A	\$463
A03B-0801-J015	I/O BASE UNIT BU08A 8 SLOT	\$927	A03B-0807-J053	HI-SPEED COUNTER MODULE ACT01A	\$512
A03B-0801-J020	I/O BASE UNIT BU06A 6 SLOT	\$799	A03B-0807-J056	TEMP INPUT MOD RTD TYPE AT104A	\$1,457
A03B-0801-J021	I/O BASE UNIT 4 SLOT	\$724	A03B-0807-J057	TEMP INPUT MOD J&K TYPE AT104B	\$1,457
A03B-0801-J027	I/O BASE UNIT BU10B 10 SLOT	\$954	A03B-0807-J101	DIGITAL DC INPUT MODULE AID32A	\$289
A03B-0801-J051	POSITION MODULE	\$1,906	A03B-0807-J102	DIGITAL DC INPUT MODULE AID32B	\$287
A03B-0801-J052	A/D MODULE 04A	\$1,296	A03B-0807-J103	DIGITAL DC INPUT MODULE AID16C	\$216
A03B-0801-J053	D/A MODULE 02A	\$1,120	A03B-0807-J105	DIGITAL DC INPUT MODULE AID32E	\$380
A03B-0801-J054	PULSE COUNTER 1PT	\$1,047	A03B-0807-J106	DIGITAL DC INPUT MODULE AID32F	\$380
A03B-0801-J055	D/A MODULE 03A	\$1,120	A03B-0807-J107	I53A1 I/O-A AIA16G MODULE	\$280
A03B-0801-J070	I/O BASE UNIT	\$796	A03B-0807-J108	EMERGENCY STOP (AES01A)	\$244
A03B-0801-J101	I/O INTERFACE IF01A	\$763	A03B-0807-J109	DIGITAL DC INPUT MODUL AID32F2	\$294
A03B-0801-J102	I/O INTERFACE IF01B	\$380	A03B-0807-J110	DIGITAL DC INPUT MODUL AID32E2	\$328
A03B-0801-J103	I/O INTERFACE IF01C	\$1,334	A03B-0807-J111	DC INPUT MOD PWRMATE AID32H1	\$289
A03B-0801-J104	I/O INTERFACE IF01D	\$763	A03B-0807-J112	DIGITAL INPUT MODULE	\$182
A03B-0801-J105	I/O INTERFACE IF01E	\$380	A03B-0807-J113	DIGITAL INPUT MODULE AID16K	\$216
A03B-0801-J110	DIGITAL DC OUTPUT MODULE OD08B	\$458	A03B-0807-J114	DIGITAL INPUT MODULE AID16L	\$216
A03B-0801-J111	DIGITAL DC OUTPUT MODULE OD16B	\$571	A03B-0807-J151	DIGITAL DC OUTPUT MOD AOD08C	\$248
A03B-0801-J112	DIGITAL DC OUTPUT MODULE OD32B	\$610	A03B-0807-J152	DIGITAL DC OUT MOD AOD08 (CE)	\$250
A03B-0801-J113	DIGITAL DC OUTPUT MODULE OD64B	\$1,143	A03B-0807-J153	DIGITAL DC OUTPUT MOD AOD16C	\$203
A03B-0801-J114	DIGITAL DC OUTPUT MODULE OD08C	\$590	A03B-0807-J154	DIGITAL DC OUT MOD AOD16D (CE)	\$225
A03B-0801-J115	DC OUTPUT OD16C 16PT	\$724	A03B-0807-J155	DIGITAL DC OUTPUT MOD AOD32C	\$280
A03B-0801-J116	DIGITAL AC OUTPUT MODULE OA08D	\$496	A03B-0807-J156	DIGITAL DC OUT MOD AOD32D1(CE)	\$273
A03B-0801-J117	DIGITAL AC OUTPUT MODULE OA16D	\$685	A03B-0807-J157	DIGITAL AC OUTPUT MOD AOA05E	\$264
A03B-0801-J118	DIGITAL AC OUTPUT MODULE OA08E	\$533	A03B-0807-J158	AC OUTPUT AOA08E 8PT	\$282
A03B-0801-J119	AC OUTPUT OA16E 16PT	\$742	A03B-0807-J159	D73A1 I/O-A AOA12F MODULE	\$278
A03B-0801-J120	DIGITAL DC INPUT MODULE ID08C	\$439	A03B-0807-J160	DIGITAL RELAY OUT MOD AOR08G	\$205
A03B-0801-J121	DIGITAL DC INPUT MODULE ID16C	\$533	A03B-0807-J161	DIGITAL RELAY OUT MOD AOR16G	\$262
A03B-0801-J122	DC INPUT ID32C 32PT	\$628	A03B-0807-J162	5-24 VDC 32PT NON-ISO O/P	\$196
A03B-0801-J123	DIGITAL DC INPUT MODULE ID64C	\$1,011	A03B-0807-J164#CS	LR-1 BRAKE CONT.	\$275
A03B-0801-J124	DIGITAL DC INPUT MODULE ID08D	\$439	A03B-0807-J165	DIGITAL RELAY OUT MOD AOR16H2	\$226
A03B-0801-J125	DIGITAL DC INPUT MODULE ID16D	\$533	A03B-0807-J167	DIGITAL DC OUT MOD AOD32D2(CE)	\$262
A03B-0801-J126	DC INPUT ID32D 32PT	\$628	A03B-0807-J171	DIGITAL DC OUTPUT MOD AOD16D2	\$369
A03B-0801-J127	DIGITAL DC INPUT MODULE ID64D	\$1,011	A03B-0807-J172	DIGITAL DC OUTPUT MOD AOD32C2	\$232
A03B-0801-J128	DIGITAL AC INPUT MODULE IA08E	\$458	A03B-0807-J303	RS-232C/RS-422 +5V	\$178
A03B-0801-J129	DIGITAL AC INPUT MODULE IA16E	\$571	A03B-0807-J304	RS-232C/RS-422 +24V	\$215
A03B-0801-J130	DIGITAL DC INPUT MODULE ID08A	\$380	A03B-0807-J350	TERMINAL UNIT RTD TYPE ATB01A	\$45
A03B-0801-J131	DI MODULE ID16A	\$419	A03B-0807-J351	TERMINAL UNIT J&K TYPE ATB01B	\$43
A03B-0801-J132	DIGITAL DC INPUT MODULE ID32A	\$439	A03B-0807-K101	FUSE FOR AIF01A & AIF01B	\$2
A03B-0801-J133	DIGITAL DC INPUT MODULE ID64A	\$610	A03B-0807-K102	FUSES FOR AOD08C & AOD08D	\$4
A03B-0801-J134	DIGITAL DC INPUT MODULE ID08D	\$380	A03B-0807-K103	FUSES SPARE (5)	\$7
A03B-0801-J135	DI MODULE ID16B	\$419	A03B-0807-K806	TERMINATOR	\$16
A03B-0801-J136	DIGITAL DC INPUT MODULE ID32B	\$439	A03B-0807-K807	CBL I/O LINK SIGNAL K3X 2M	\$54
A03B-0801-J137	DIGITAL DC INPUT MODULE ID64B	\$610	A03B-0807-K808	CBL I/O LINK SIGNAL K5X 5M	\$74
A03B-0801-J140	DIGITAL DC OUTPUT MODULE OD32A	\$610	A03B-0807-K809	CBL I/O LINK SIGNAL K5X 7M	\$95
A03B-0801-J141	DIGITAL DC OUTPUT MODULE OD64A	\$1,148	A03B-0807-K810	CBL I/O LINK SIGNAL K5X 10M	\$127
A03B-0801-J142	DC OUTPUT OD08G 8PT	\$628	A03B-0808-C001	INTERFACE UNIT I/O-B	\$460
A03B-0801-J143	DIGITAL DC OUTPUT MODULE OD16G	\$763	A03B-0808-C010	BMD88A1 8 IN/8 OUT	\$442
A03B-0801-K101	FUSE (POWER)	\$13	A03B-0808-C040	I/O UNIT MODEL B	\$502
A03B-0801-K102	FUSE (BASE)	\$4	A03B-0808-C200	EXPANSION UNIT BMD88P1 8/8 IO	\$255
A03B-0801-K103	FUSE(OD08.16B/C)	\$25	A03B-0808-C201	I/O-B EXPANSION UNIT 8IN/8OUT	\$255
A03B-0801-K104	FUSE (OA08.16D)	\$13	A03B-0808-C210	EXPANSION UNIT BID16P1 16 IN	\$227
A03B-0801-K105	FUSE(OA08.16E)	\$25	A03B-0808-C211	I/O-B EXPANSION UNIT 16 IN	\$227
A03B-0801-K801	CABLE (V02)	\$153	A03B-0808-C220	EXPANSION UNIT BOD16P1 16 OUT	\$285
A03B-0801-K805	CABLE (V03)	\$38	A03B-0808-C230	EXPANSION UNIT BIA16P1 16 OUT	\$387
A03B-0801-K806	CABLE (V06)	\$52	A03B-0808-K101	SPARE FUSE (0.3 AMP)	\$1
A03B-0801-K811	CABLE (V04)	\$19	A03B-0808-K102	SPARE FUSE (1 AMP)	\$1
A03B-0801-K812	CABLE (V05)	\$10	A03B-0808-K103	FUSE KIT	\$10
A03B-0801-K816	CABLE	\$41	A03B-0808-K801	CABLE 100M TWISTED PAIR	\$647
A03B-0803-C300	INPUT UNIT	\$2,592	A03B-0812-B101	POWER MATE I	\$3,711
A03B-0805-C001	EXPANSION UNIT, I/O 28 POINTS	\$503	A03B-0812-C101	POWER MATE I	\$3,711
A03B-0805-C002	EXPANSION UNIT, I/O 28 POINTS	\$455	A03B-0814-B102	SPNDL MONITR UNIT B	\$981
A03B-0805-C011	EXPANSION UNIT, I/O 56 POINTS	\$608	A03B-0814-C001	PMC ROM CASSETTE	\$63
A03B-0805-C012	EXPANSION UNIT, I/O 56 POINTS	\$688	A03B-0815-C001	I/O 24I/16Q FOR CONN PNL (BASE)	\$478
A03B-0805-C101	COMPACT PROGRAMMER	\$469	A03B-0815-C002	I/O 24I/16Q FOR CONN PNL W/MPG	\$364
A03B-0805-C110	COMMUNICATION UNIT (A1)	\$551	A03B-0815-C003	I/O 24I/16Q FOR CONN PNL NOMP	\$319
A03B-0805-K002	DOUBLE STACK FITT	\$60	A03B-0815-C004	2-AMP OUTPUT MODULE, 16-PT	\$312
A03B-0805-K003	TRIPLE STACK FITT	\$87	A03B-0815-C005	ANALOG INPUT MODULE, 4-CH	\$533
A03B-0806-C080	POWER MATE J 2-AXES	\$781	A03B-0815-C020	TERMINAL BOARD FOR CONN-STYLE I/O	\$107
A03B-0807-C112	PCB, I/O MOD A AID08F	\$260	A03B-0815-C021	TERMINAL MODULE A, CONN I/O	\$118
A03B-0807-C164	PCB, I/O UNIT BRK CONT	\$206	A03B-0815-K001	FUSE, I/O MOD FOR OPER'S PANEL	\$2
A03B-0807-C171	DIGITAL DC OUTPUT AOD16D2 16PT	\$312	A03B-0815-K002	FUSE, I/O MOD FOR CONN PANEL	\$5
A03B-0807-C182	PCB, DC16OUT, POS 0.3A/PT; S/C PROT	\$271	A03B-0815-K020	CBL 30CM, CONN-STYLE I/O TO TERM BD	\$67

RENEWAL PARTS  
PRICING

D-20



FANUC CNC Parts

Part Number	Description	Price	Part Number	Description	Price
A03B-0817-C001	I/O LINK TO AS-1 CONVERTER	\$1,191	A04B-0802-B301	LASER OSCILLATOR C1000	\$145,463
A03B-0819-C001	BASE 10 SLOT HORZ ABU10A UL	\$187	A04B-0802-B321	LASER OSCILLATOR C1000	\$113,952
A03B-0819-C002	BASE 5 SLOT HORZ ABU05A UL	\$143	A04B-0802-C406	LASER SHUTTER UNIT (HE-NE)	\$4,600
A03B-0819-C003	BASE 5 SLOT VERT ABU05B UL	\$151	A04B-0802-C408	LASER EXHAUST CONTROLLER	\$884
A03B-0819-C004	BASE 10 SLOT VERT ABU10B UL	\$215	A04B-0802-C409	PRESSURE CONTROL	\$6,983
A03B-0819-C011	INTERFACE MODULE AIF01A UL	\$253	A04B-0802-H302	CIRCULAR POLARIZATION UNIT	\$76
A03B-0819-C012	PCB, INTERFACE MODULE AIF01B UL	\$226	A04B-0802-H303	CIRCULAR POLARIZATION UNIT	\$3,297
A03B-0819-C013	PCB, INTERFACE MODULE UL	\$567	A04B-0802-H401	WARNING LABEL FDA	\$115
A03B-0819-C051	ANALOG INPUT MODULE ADA04A UL	\$444	A04B-0802-H402	WARNING LABEL	\$98
A03B-0819-C052	ANALOG OUTPUT MODULE ADA02A UL	\$335	A04B-0802-H310	HE-N3 LASER UNIT	\$2,775
A03B-0819-C053	HIGH SPEED COUNTER MODULE ACT01A UL	\$417	A04B-0802-K321	SPARE PARTS (OIL)	\$82
A03B-0819-C056	PCB, TEMP INPUT RTD TYPE AT104A UL	\$1,938	A04B-0803-B301	LASER OSCILLATOR C2000	\$197,136
A03B-0819-C057	PCB, TEMP INPUT J&K TYPE AT104B UL	\$2,482	A04B-0803-B321	LASER OSCILLATOR C2000	\$197,136
A03B-0819-C060	PCB, ANALOG OUTPUT MOD, HIGH-RES UL	\$603	A04B-0803-C300	INPUT UNIT B	\$1,575
A03B-0819-C101	PCB, DIGITAL DC INPUT MOD AID32A UL	\$190	A04B-0803-C362	RESONATOR FAN	\$275
A03B-0819-C102	PCB, DIGITAL DC INPUT MOD AID32B UL	\$190	A04B-0803-C365	RESONATOR FAN	\$270
A03B-0819-C103	PCB, DIGITAL DC INPUT MOD AID16C UL	\$182	A04B-0803-C400	LASER PRESSURE CONTROLLER	\$7,364
A03B-0819-C103#D	DC INPUT MODULE 16PT NEG AID16C	\$183	A04B-0803-C401	LASER SHUTTER UNIT	\$5,092
A03B-0819-C104	PCB, DIGITAL DC INPUT MOD AID16D UL	\$182	A04B-0803-C404	LASER SHUTTER UNIT (HE-NE)	\$4,345
A03B-0819-C104#D	DC INPUT MODULE 16PT POS AID16D	\$183	A04B-0803-C405	LASER SHUTTER UNIT (HE-NE)	\$4,345
A03B-0819-C105	PCB, DIGITAL DC INPUT MOD AID32E UL	\$291	A04B-0803-C408	LASER EXHAUST CONTROLLER	\$1,174
A03B-0819-C106	PCB, DIGITAL DC INPUT MOD AID32F UL	\$289	A04B-0803-C411	LASER PRESSURE CONTROLLER	\$7,328
A03B-0819-C107#D	AC INPUT MODULE 16PT AIA16G	\$208	A04B-0803-D001	LASER POWER SENSOR	\$946
A03B-0819-C109	PCB, DIG DC INPUT MOD AID32F2 UL	\$239	A04B-0803-H002	INPUT UNIT A OPTION	\$4,327
A03B-0819-C110	PCB, DIG DC INPUT MOD AID32E2 UL	\$437	A04B-0803-H401	WARNING LABEL FDA (ENGLISH)	\$57
A03B-0819-C111	PCB, DIG DC INPUT MOD AID32H1 UL	\$164	A04B-0803-H402	WARNING LABEL IEC (ENGLISH)	\$105
A03B-0819-C113	PCB, DIGITAL INPUT MODULE AID16K UL	\$235	A04B-0803-J300	ADJUSTER	\$346
A03B-0819-C114	PCB, DIGITAL INPUT MODULE AID16L UL	\$235	A04B-0803-J310	HE-NE LASER UNIT	\$4,001
A03B-0819-C151#D	DC OUTPUT MODULE 8PT NEG AOD08C	\$391	A04B-0803-J311	DIODE LASER UNIT C2000	\$6,250
A03B-0819-C152#D	DC OUTPUT MODULE 8PT POS AOD08 (CE)	\$395	A04B-0804-B301	LASER OSCILLATOR C3000	\$273,107
A03B-0819-C153#D	DC OUTPUT MODULE 16PT NEG AOD16C	\$151	A04B-0804-B321	LASER OSCILLATOR C3000	\$213,943
A03B-0819-C154#D	DC OUTPUT MODULE 16PT POS AOD16D (CE)	\$167	A04B-0804-C401	LASER SHUTTER UNIT	\$14,564
A03B-0819-C155	PCB, DIG DC OUTPUT MOD AOD32C UL	\$159	A04B-0804-D001	LASER POWER SENSOR	\$2,109
A03B-0819-C156	PCB, DIG DC OUT MOD AOD32D1 CE UL	\$185	A04B-0804-H011	INPUT UNIT B SERIAL I/F	\$8,473
A03B-0819-C157#D	AC OUTPUT MODULE 5PT 2AMP AOA05E	\$209	A04B-0804-H400	WARNING LABEL JIS	\$98
A03B-0819-C158#D	AC OUTPUT MODULE 8PT 1AMP AOA08E	\$227	A04B-0804-H401	WARNING LABEL FDA	\$118
A03B-0819-C159#D	AC OUTPUT MODULE 12PT 0.5AMP AOA12F	\$209	A04B-0804-H402	WARNING LABEL	\$112
A03B-0819-C160#D	RELAY OUTPUT MODULE 8PT 4AMP AOR08	\$207	A04B-0805-B301	LASER OSCILLATOR C1500	\$123,879
A03B-0819-C161#D	RELAY OUTPUT MODULE 16PT 2AMP AOR16	\$264	A04B-0805-B321	LASER OSCILLATOR C1500	\$123,879
A03B-0819-C162	PCB, DIG DC OUTPUT MOD AOD32A1 UL	\$173	A04B-0805-B331	LASER OSCILLATOR C1500	\$216,286
A03B-0819-C165	PCB, DIG RELAY OUT MOD AOR16H2 UL	\$210	A04B-0805-C360	FAN UNIT	\$517
A03B-0819-C167	PCB, DIG DC OUT MOD AOD32D2 CE UL	\$216	A04B-0805-C362	VANE PUMP FAN LASER	\$102
A03B-0819-C172	PCB, DIG DC OUTPUT MOD AOD32C2 UL	\$215	A04B-0805-C365	RF FAN UNIT	\$566
A03B-0819-C182	PCB, DIG DC OUT MOD AOD16DP CE UL S	\$271	A04B-0805-C401	LASER EXHAUST CONTROLLER	\$964
A03B-0819-C350	PCB, TERMINAL RTD TYPES ATB01A	\$89	A04B-0805-C402	PRESSURE CONTROLLER	\$9,600
A03B-0819-C351	PCB, TERMINAL J&K THERMO ATB01B	\$86	A04B-0805-C410	LASER SHUTTER UNIT	\$3,637
A04B-0069-J204-K1	CABLE	\$153	A04B-0805-C420	DISTRIBUTOR UNIT	\$1,747
A04B-0070-H202	CNC UNIT COLLER 6 AXIS ROBODRILL	\$6,837	A04B-0805-H011	PCB, CNC LASER INTERFACE	\$3,382
A04B-0071-K099	HAND TOOLS	\$2,697	A04B-0805-H401	WARNING LABEL (FDA)	\$68
A04B-0223-C201	MACHINE OPERATORS PANEL	\$2,261	A04B-0805-H416	WARNING LABEL A FOR USA	\$141
A04B-0224-C220	EXTERNAL 14" CRT/MDI	\$7,350	A04B-0805-J400	PATLEX LABEL	\$1
A04B-0404-C203	OPERATOR PANEL	\$2,245	A04B-0806-K324	ACCESSORY OIL	\$305
A04B-0610-C201	EDM MACHINE OPERATOR PANEL	\$3,846	A04B-0807-B301	LASER OSCILLATOR C-2000B	\$223,490
A04B-0610-J413-K1	UNKNOWN - GN PART	\$327	A04B-0807-C404	LASER EXHAUST CONTROLLER	\$1,803
A04B-0800-C009	TURBO BLOWER	\$15,764	A04B-0807-C405	EXHAUST CTRL UNIT CE	\$1,872
A04B-0800-C011	TURBO BLOWER	\$17,310	A04B-0807-C420	WATER DISTRIBUTOR	\$1,635
A04B-0800-C015	TURBO BLOWER	\$18,201	A04B-0807-D001	LASER POWER SENSOR	\$1,166
A04B-0800-C341	ADAPTER UNIT	\$144	A04B-0807-H005	INPUT UNIT	\$5,766
A04B-0800-J210	I/O UNIT ASSEMBLY	\$1,190	A04B-0807-H021	BREAKER 120VAC	\$2,921
A04B-0800-J850	LASER GAS MIXER	\$25,044	A04B-0807-H024	BREAKER 24VDC	\$2,420
A04B-0800-K107	CABLE FSO TO GAS MIXER	\$225	A04B-0807-H200	MIRROR KIT INTERNAL 2000B	\$6,861
A04B-0800-K109	SPARE FUSE	\$36	A04B-0807-H250	LASER ENCLOSURE	\$9,705
A04B-0800-K111	LASER GAS MIXER SPARES	\$11	A04B-0807-H251	LASER ENCLOSURE - AMADA	\$9,859
A04B-0800-K114	CABLE CNC TO GAS MIXER 16-LB	\$375	A04B-0807-H404	WARNING LABEL FDA FOR USA	\$224
A04B-0800-K137	DIODE KIT ( A50L-2001-0257#F)	\$431	A04B-0807-H408	NAMEPLATE GEFANUC	\$1
A04B-0800-K138	DIODE KIT ( A50L-2001-0257#R)	\$431	A04B-0807-H409	STICKER KIT (LASER)	\$135
A04B-0800-K325	LASER GREASE	\$1,160	A04B-0807-H410	STICKER KIT (LASER)	\$135
A04B-0800-K326	OIL FOR TURBO BLOWER (qty 3 of 200ml)	\$90	A04B-0807-H411	STICKER KIT (LASER)	\$135
A04B-0800-K327	GREASE SUPPLY	\$73	A04B-0807-H412	STICKER KIT (LASER)	\$135
A04B-0801-C366	LASER RESONATOR FAN	\$574	A04B-0807-H413	STICKER KIT (LASER)	\$135
A04B-0801-C367	LASER RESONATOR FAN	\$141	A04B-0807-H414	STICKER KIT (LASER)	\$135
A04B-0801-C370	LASER POWER SUPPLY F/HE-NE	\$762	A04B-0807-H415	STCKR KIT,SHRT OPT PATH STD CE	\$136
A04B-0801-C406	LASER SHUTTER UNIT	\$1,595	A04B-0807-H416	STICKER KIT	\$135
A04B-0801-C407	LASER PRESSURE CONTROLLER	\$7,582	A04B-0807-H417	STCKR KIT, LONG OPT PATH STD CE	\$136
A04B-0801-C408	EXHAUST UNIT	\$787	A04B-0807-H418	STCKR KIT, LONG OPT PATH WHT CE	\$136
A04B-0801-D004	LASER PRESSURE SWITCH	\$197	A04B-0807-H421	WARNING LABEL CE	\$1,309
A04B-0801-D011	LASER POWER SENSOR	\$564	A04B-0808-B301	C3000B LASER OSCILLATOR	\$378,315
A04B-0801-D012	LASER CONDENSATION SENSOR	\$17	A04B-0808-C401	LASER EXHAUST CONTROLLER	\$1,815
A04B-0801-H301	CIRCULAR POLARIZATION UNIT	\$3,764	A04B-0808-C402	LASER, EXHAUST CONTROLLER	\$2,054
A04B-0801-H311	PANEL	\$79	A04B-0808-C410	LASER SHUTTER UNIT	\$2,019
A04B-0801-J020	CIRCULAR POLARIZATION UNIT	\$3,297	A04B-0808-C421	LASER WATER DISTRIBUTION	\$2,163
A04B-0801-J300	ADJUSTER	\$210	A04B-0808-D001	LASER POWER SENSOR	\$1,231
A04B-0801-K104	SPARE FUSE	\$24	A04B-0808-D003	LASER WATER FLOW SWITCH	\$40
A04B-0801-K311	TUBE	\$32	A04B-0808-H002	INPUT UNIT A,USA.	\$6,523



# A04B-0808-H011

Part Number	Description	Price	Part Number	Description	Price
A04B-0808-H011	INPUT UNIT B SERIAL I/F	\$5,687	A04H-0803-J101	TUBE KIT	\$125
A04B-0808-H030	WARNING LIGHT UNIT	\$329	A04H-0805-J100	TUBE KIT	\$117
A04B-0808-H040	COVER PLATE ( NO LIGHT )	\$200	A05B-1021-J001	AIR CONTROL SET LR-0	\$483
A04B-0808-H250	ENCLOSURE	\$8,974	A05B-1021-J011	AIR BLOW NOZZEL 3 PART	\$483
A04B-0808-H401	WARNING LABEL A,USA	\$122	A05B-1130-B101	MECHANICAL UNIT 2 AXES BRAKE	\$23,380
A04B-0808-H409	STICKER KIT, BLACK LETTER	\$136	A05B-1130-H001	SOLENOID VALVE A	\$246
A04B-0808-H410	STICKER KIT, WHITE LETTER	\$161	A05B-1130-H002	SOLENOID VALVE B	\$378
A04B-0809-C402	EXHAUST CONTROLLER	\$12,815	A05B-1130-H003	MAGNETIC VALVE C	\$302
A04B-0809-C410	LASER UNIT	\$2,619	A05B-1130-J052	LR MATE	\$1,179
A04B-0809-C411	LASER SHUTTER UNIT	\$4,686	A05B-1130-J062	MARK SET	\$24
A04B-0809-D001	LASER POWER SENSOR	\$2,597	A05B-1130-J063	AIR BLOW SET	\$140
A04B-0810-C320	LASER PATLIGHT UNIT	\$362	A05B-1130-J064	RDI CONNECTOR	\$79
A04B-0810-C402	EXHAUST CONTROLLER	\$1,652	A05B-1131-B101	LR MATE 100 MECHANICAL UNIT	\$11,862
A04B-0810-C403	PRESSURE CONTROLLER	\$9,600	A05B-1131-B102	LR MATE 100 MECHANICAL UNIT	\$12,023
A04B-0810-C404	EXHAUST CONTROLLER	\$1,786	A05B-1131-H001	LR MATE 100 SOLENOID VALVE A	\$368
A04B-0810-C405	EXHAUST CONTROLLER,CE	\$1,855	A05B-1131-H002	LR MATE 100 SOLENOID VALVE B	\$657
A04B-0810-C410	LASER SHUTTER UNIT	\$3,203	A05B-1131-H010	LR MATE 100 AIR PIPING	\$20
A04B-0810-C414	SHUTTER UNIT	\$2,619	A05B-1131-H101	LR MATE 100 COVER KIT	\$232
A04B-0810-C420	WATER DISTRIBUTION UNIT	\$1,442	A05B-1131-H102	LR MATE 100 DRIP-PROOF COVER	\$349
A04B-0810-D010	SHUTTER SW UNIT	\$36	A05B-1131-H201	LR MATE 100 LITHIUM BATTERY	\$167
A04B-0810-D011	SHUTTER TM UNIT	\$25	A05B-1131-J051	LR MATE 100 TRANSPORT EQUIPMT	\$368
A04B-0810-D020	SHUTTER POSITION DETECT SW UNIT	\$241	A05B-1131-J052	LR MATE 100 MASTERING FIXTURE	\$1,269
A04B-0810-H005	INPUT UNIT	\$3,165	A05B-1152-H901	NAMEPLATE	\$1
A04B-0810-H010	I/F UNIT B (PARALLEL 0-L)	\$1,652	A05B-1152-J010	SHIPPING SUPPORTS LR-1	\$782
A04B-0810-H013	I/F UNIT (SERIAL 16-L) CE	\$4,802	A05B-1152-J020	PEDESTAL LR-1	\$3,449
A04B-0810-H021	BREAKER 120VAC	\$1,740	A05B-1152-J052	MASTERING JIG	\$3,287
A04B-0810-H024	BREAKER 24VDC	\$1,740	A05B-1162-H001	WORKPIECE FEEDER CONNECTION F	\$345
A04B-0810-H031	PATLIGHT UNIT CE	\$330	A05B-1162-H101	WORKPIECE FEEDER LR-1	\$12,874
A04B-0810-H205	MIRROR KIT FOLDING	\$2,425	A05B-1162-H201	WORKPIECE LOADER	\$12,874
A04B-0810-H301	BEAM PATH KIT SHRT CE	\$3,052	A05B-1162-J010	WORKPIECE FEEDER PIPE CONN	\$50
A04B-0810-H302	BEAM PATH KIT LONG CE	\$2,347	A05B-1163-H101	WORK FEEDER ASSEMBLY	\$8,690
A04B-0810-H404	WARNING LABEL (USA)	\$235	A05B-1172-H201	HAND 10KG	\$9,748
A04B-0810-H408	NAMEPLATE GE FANUC	\$1	A05B-1172-J010	AIR BLOW NOZZLE	\$230
A04B-0810-H409	STICKER KIT SHORT PATH BLACK	\$135	A05B-1172-J011	HAND ACCESSORY	\$718
A04B-0810-H410	STICKER KIT SHORT PATH WHITE	\$135	A05B-1172-J012	HAND ACCESSORY	\$509
A04B-0810-H411	STICKER KIT LONG PATH BLACK	\$135	A05B-1182-B201	LR-0 MECHANICAL UNIT	\$22,507
A04B-0810-H412	STICKER KIT LONG PATH WHITE	\$135	A05B-1182-B202	LR-0 MECHANICAL UNIT	\$22,507
A04B-0810-H413	STICKER KIT, SHRT OPTIPATH BLK	\$136	A05B-1182-J021	PACKING MATERIAL LR-0	\$184
A04B-0810-H414	STICKER KIT, LONG OPTIPATH BLK	\$136	A05B-1203-J800	TEACH PENDANT HANDLE	\$237
A04B-0810-H415	STCKR KIT,SHRT OPTIPATH STD CE	\$136	A05B-2004-K281	CONNECTOR, SIDE, RS-232-C	\$92
A04B-0810-H416	STCKR KIT,SHRT OPTIPATH WHT CE	\$136	A05B-2020-C903	USE A02B-0099-C901 WHEN OUT	\$211
A04B-0810-H417	STCKR KIT,LONG OPTIPATH STD CE	\$136	A05B-2030-K011	CABLE CLAMPS	\$29
A04B-0810-H418	STCKR KIT,LONG OPTIPATH WHT CE	\$136	A05B-2104-H135	CABLE 10M TEACH PENDANT A	\$354
A04B-0810-K342	OIL FOR VANE PUMP	\$43	A05B-2104-H136	CABLE, TEACH PENDANT A 20M	\$572
A04B-0811-B301	LASER OSCILLATOR C-3000C	\$302,610	A05B-2104-K030	CABLE, CONN AA 7M	\$271
A04B-0811-B501	AUXILIARY UNIT	\$16,408	A05B-2104-K031	CABLE, CONN AB 14M	\$361
A04B-0811-C400	PRESSURE CONTROLLER	\$7,274	A05B-2104-K032	CBL 7M CONN CABLE BA	\$131
A04B-0811-C404	EXHAUST CTRL UNIT	\$1,946	A05B-2104-K033	CBL 14M CONN CABLE BB	\$162
A04B-0811-C405	EXHAUST CONTROLLER	\$2,036	A05B-2115-C001	TEACH PENDANT	\$2,076
A04B-0811-C420	LASER UNIT	\$2,248	A05B-2115-D001	CABLE	\$55
A04B-0811-D401	DIODE LASER	\$823	A05B-2115-H040	SERVO FUSE 20A AC200/220/240V	\$61
A04B-0811-H005	INPUT UNIT	\$3,312	A05B-2115-H144	TEACH PENDANT A ENGLISH	\$4,598
A04B-0811-H007	INPUT UNIT	\$1,451	A05B-2121-H050	DATA MEMORY A (1500 POINTS)	\$1,609
A04B-0811-H011	SERIAL INTERFACE S16-LB/LCA	\$7,722	A05B-2121-H051	DATA MEMORY A (6500 POINTS)	\$2,299
A04B-0811-H024	BREAKER 24VDC	\$3,417	A05B-2121-J300	SHORT CIRCUIT CONNECTOR	\$80
A04B-0811-H200	MIRROR KIT	\$11,948	A05B-2121-K003	SUPPLEMENTARY FUSE	\$123
A04B-0811-H210	CABINET AUX UNIT	\$4,696	A05B-2121-K860	CABLE, POWER A 7M	\$106
A04B-0811-H250	LASER ENCLOSURE	\$11,608	A05B-2121-K861	CABLE 14M POWER CABLE B	\$132
A04B-0811-H302	BEAM PATH UNIT LONG CP	\$7,278	A05B-2138-H003	OPERATORS PANEL ENGLISH	\$1,265
A04B-0811-H404	WARNING LABEL	\$215	A05B-2138-H011	4 AXES CONTROL R-G2	\$6,667
A04B-0811-H408	NAMEPLATE	\$1	A05B-2138-H031	INPUT UNIT	\$1,265
A04B-0813-C323	INTERMEDIATE UNIT	\$622	A05B-2138-H078	CABLE 4M	\$1,164
A04B-0813-C420	WATER DISTRIBUTOR	\$2,709	A05B-2138-H079	CABLE 7M	\$1,398
A04B-0814-C323	INTERMEDIATE UNIT	\$514	A05B-2138-H080	CABLE 4M	\$380
A04B-0814-C420	WATER DISTRIBUTOR	\$2,553	A05B-2300-H500	ROM	\$184
A04B-0814-H300	OPT PATH LNTH UNIT SHORT PATH	\$5,587	A05B-2300-J380	CASTER FOR MAIN CABINET	\$81
A04B-0815-D410	TRIGGER ELECTRODE	\$714	A05B-2301-C001	POWER SUPPLY FOR BRAKE	\$1,302
A04B-0815-H300	SHORT PATH UNIT, C4000A (JP/USA)	\$4,844	A05B-2301-C300	TEACH PENDANT	\$2,136
A04B-0850-H201	CABLE FIBER OPTIC 10M	\$6,730	A05B-2301-C301	TEACH PENDANT	\$2,136
A04B-0850-H202	OPT FIBER,GI COR/600U,20M/NORM	\$11,007	A05B-2301-C302	TEACH PENDANT	\$2,136
A04B-0850-H203	OPT FIBER,GI COR/600U,50M/NORM	\$22,409	A05B-2301-C305	TEACH PENDANT, GENERAL USE	\$2,136
A04B-0850-H207	OPT FIBER,SI COR/600U,10M/WELD	\$6,054	A05B-2301-C330	TEACH PENDANT	\$2,874
A04B-0850-H208	OPT FIBER,SI COR/600U,20M/WELD	\$8,531	A05B-2301-C350	TEACH PENDANT UNIT	\$2,028
A04B-0850-H209	OPT FIBER,SI COR/600U,50M/WELD	\$16,173	A05B-2301-C360	OPE.PANEL	\$3,472
A04B-0850-H210	LENS UNIT FIBER OPTIC 600	\$2,597	A05B-2301-D002	CABLE WITH SWITCH	\$59
A04B-0850-H211	FOCUSING UNIT - FOR 400UM	\$5,009	A05B-2301-D003	CABLE,TP ENABLE	\$56
A04B-0850-H300	NORMAL NOZZLE	\$7,454	A05B-2301-D004	CABLE WITH SWITCH	\$57
A04B-0850-J001	NOZZLE	\$8,691	A05B-2301-D007	SWITCH UNIT	\$76
A04B-0850-J802	TUBE KIT	\$1,258	A05B-2301-D008	SWITCH UNIT	\$53
A04B-0850-K313	NOZZLE TIP	\$353	A05B-2301-D010	CABLE,E-STOP ROBOTICS	\$87
A04B-0850-K341	PURE WATER FOR LASER	\$218	A05B-2301-D011	CABLE,ENABLE SWITCH	\$76
A04B-0851-H250	CABINET, STANDARD	\$24,429	A05B-2301-H252	CABLE A HI FUNCNT TEACH PENDANT	\$296
A04B-0851-H401	WARNING LABEL FDA	\$156	A05B-2301-H253	HI FUNCN TEACH PNDANT CBL D 20M	\$549
A04B-0851-H440	STICKER KIT	\$156	A05B-2301-H301	TEACH PENDANT, HANDL/PALLETIZE	\$1,839

RENEWAL PARTS  
PRICING

D-22



FANUC CNC Parts

Part Number	Description	Price	Part Number	Description	Price
A05B-2301-H305	TEACH PENDANT, GENERAL USE	\$2,299	A06B-0034-B178#7076	SVMTR B6/2K 8KABS ST/KY B IP67	\$2,221
A05B-2302-D001	CABLE	\$78	A06B-0034-B575#7000	B6/2000 A32 TAPER SHAFT	\$1,017
A05B-2308-C307	TEACH PENDANT	\$3,189	A06B-0034-B577#7000	B6/2000 I32 TAPER SHAFT	\$882
A05B-2310-C001	POWER SUPPLY FOR BRAKE	\$418	A06B-0034-B675#7000	SVMTR B6/2K 32KABS TP/KY BRK	\$1,407
A05B-2310-C010	BACKPLANE	\$234	A06B-0061-B103	B2/4000IS SV MTR ST	\$1,045
A05B-2310-H001	LR MATE 100 CTRL UNIT BLT-IN	\$9,391	A06B-0061-B203	B2/4000IS SV MTR ST W/KY	\$1,045
A05B-2310-H002	CONTROL UNIT PANEL MOUNT TYPE	\$10,540	A06B-0061-B203#0100	SVMTR B2/4000IS ST/KY IP67	\$1,148
A05B-2310-H030	I/O LINK CABLE	\$47	A06B-0061-B503	B2/4000IS SV MTR ST W/BK KY	\$2,074
A05B-2310-H050	POWER SUPPLY FOR BRAKE	\$220	A06B-0063-B103	B4/4000IS SV MTR ST	\$1,255
A05B-2310-H050#CS	POWER SUPPLY FOR BRAKE	\$298	A06B-0063-B203	B4/4000IS SV MTR ST W/KY	\$1,255
A05B-2310-H190	OP PANEL AA	\$919	A06B-0063-B503	B4/4000IS SV MTR ST W/BK KY	\$2,284
A05B-2310-H194	OP PANEL AB	\$790	A06B-0075-B103	B8/3000IS SV MTR ST	\$1,380
A05B-2310-H252	CABLE FOR TEACH PENDANT 10M	\$354	A06B-0075-B203	B8/3000IS SV MTR ST W/KY	\$1,380
A05B-2310-H253	CABLE FOR TEACH PENDANT 20M	\$577	A06B-0075-B203#0100	SVMTR B8/3000IS ST/KY IP67	\$1,483
A05B-2310-H300	SIMPLE TEACH PENDANT A	\$1,149	A06B-0075-B503	B8/3000IS SV MTR ST W/BK KY	\$2,409
A05B-2310-H301	SIMPLE TEACH PENDANT B	\$1,149	A06B-0078-B203	B12/3000IS SV MTR ST W/KY	\$1,913
A05B-2310-H302	SIMPLE TEACH PENDANT +7M CBL	\$1,149	A06B-0078-B203#0100	SVMTR B12/3000IS ST/KY IP67	\$2,016
A05B-2310-H303	SIMPLE TEACH PENDANT +14M CBL	\$1,149	A06B-0078-B503	B12/3000IS SV MTR ST W/BK KY	\$2,942
A05B-2310-H304	SIMPLE TEACH PENDANT AC	\$1,202	A06B-0085-B203	B22/2000IS SV MTR ST W/KY	\$2,407
A05B-2310-H305	SIMPLE TEACH PENDANT AD	\$1,295	A06B-0085-B203#0100	SVMTR B22/2000IS ST/KY IP67	\$2,510
A05B-2310-H311	RAM MODULE B	\$699	A06B-0085-B503	B22/2000IS SV MTR ST W/BK KY	\$3,436
A05B-2310-J507	PRINTER INTERFACE	\$230	A06B-0101-B180#F000	SVMTR CE AE1/3K 8KINC ST/KY	\$768
A05B-2310-J516	FLOPPY DISK DRIVE INTERFACE	\$230	A06B-0101-B380#7000	SVMTR AE1/3K 8KINC ST KY BRK	\$1,102
A05B-2310-J607	PRINTER INTERFACE	\$281	A06B-0102-B380#7000	SVMTR AE2/3K 8KINC ST KY BRK	\$1,148
A05B-2310-K001	SPARE PARTS,FUSE	\$58	A06B-0102-B580#7000	SVMTR AE2/3K 8KINC TP	\$934
A05B-2330-C001	BRAKE POWER SUPPLY	\$193	A06B-0104-B001#7000	SV MTR	\$632
A05B-2330-H050	BRAKE POWER UNIT LR-MATE 100	\$147	A06B-0104-B011#7000	SV MTR 1-0E	\$632
A05B-2330-H250	HI FUNC TEACH PNDANT CBL A 10M	\$283	A06B-0104-B014#7000	SV MTR 1-0E ABS	\$952
A05B-2330-H251	HI FUNC TEACH PNDANT CBL B 20M	\$462	A06B-0104-B101#7000	SV MTR 1-0E	\$632
A05B-2330-H300	SIMPLE TEACH PENDANT AA	\$919	A06B-0104-B111#7000	SV MTR 1-0E ST/K 5K INC CONN	\$632
A05B-2330-H301	SIMPLE TEACH PENDANT AB	\$1,012	A06B-0104-B114#7000	SV MTR 1-0E ST/K 5K ABS CONN	\$952
A05B-2330-H400	DRAM MODULE	\$552	A06B-0105-B111#7000	SV MTR 0E ST/K 5K INC CONN	\$643
A05B-2330-H410	SRAM MODULE	\$368	A06B-0105-B114#7000	SV MTR 0E ST/K 5K ABS CONN	\$963
A05B-2330-H420	FLASH ROM MODULE	\$368	A06B-0105-B180#7000	SVMTR AE3/2K 8KINC ST KY	\$843
A05B-2330-J501	DATA TRANSFER	\$919	A06B-0105-B378#7000	SVMTR AE3/2K 8KABS ST KY BRK	\$1,279
A05B-2330-J502	SENSOR INTERFACE	\$919	A06B-0105-B380#7000	SVMTR AE3/2K 8KINC ST KY BRK	\$1,035
A05B-2330-J507	PRINTER INTERFACE	\$184	A06B-0106-B001#7000	SV MTR 5E	\$696
A05B-2330-J510	INCREMENTAL INPUT	\$460	A06B-0106-B011#7000	SV MTR 5E 5K SRL INC ST CONN	\$696
A05B-2330-J514	POSITION RESISTERS	\$460	A06B-0106-B014#7000	SV MTR 5E ABS	\$1,017
A05B-2330-J516	FLOPPY DISK DRIVE I/F	\$184	A06B-0106-B101#7000	SV MTR 5E	\$696
A05B-2330-J518	ADDL AXIS CONTROL	\$919	A06B-0106-B111#7000	SV MTR 5E ST/K 5K INC CONN	\$696
A05B-2330-J609	SPACE CHECK FUNCTION	\$460	A06B-0106-B114#7000	SV MTR 5E ST/K 5K ABS CONN	\$1,017
A05B-2330-J612	SOFT FLOAT FUNCTION	\$919	A06B-0106-B180#7000	SVMTR AE6/2K 8KINC ST KY	\$901
A05B-2330-K001	SPARE FUSE SET	\$18	A06B-0106-B380#7000	SVMTR AE6/2K 8KINC ST KY BRK	\$1,223
A06B-0031-B075#7000	SVMTR B1/3K 32KABS ST	\$896	A06B-0112-B075#0008	SVMTR BETA M0.3/4000 ST/K	\$883
A06B-0031-B075#7008	SVMTR B1/3K 32KABS ST/KY	\$896	A06B-0112-B503	SVMTR B0.3/5000IS ST W/BK KY	\$839
A06B-0031-B075#7076	SPMTR B1/3K 32KABS ST/KY IP67	\$1,290	A06B-0113-B075#7000	SVMTR B0.5/3K 32KABS ST	\$896
A06B-0031-B077#7000	SVMTR B1/3K 32KINC ST	\$657	A06B-0113-B075#7005	SVMTR B0.5/3K ST/KY SEALED CONN	\$896
A06B-0031-B077#7008	SVMTR B1/3K 32KINC ST/KY	\$781	A06B-0113-B075#7008	SVMTR B0.5/3K 32KABS ST/KY	\$896
A06B-0031-B175#7008	SVMTR B1/3K 32KABS ST/KY BRK	\$1,378	A06B-0113-B075#7076	SVMTR B 5/3K A32K ST KY IP67	\$1,192
A06B-0031-B575#7000	SVMTR B1/3K 32KABS TP	\$1,012	A06B-0113-B077#7000	SVMTR B0.5/3K 32KINC ST	\$781
A06B-0032-B075#7000	SVMTR B2/3K 32KABS ST	\$925	A06B-0113-B077#7005	SVMTR B0.5/3000 I64 KEY	\$781
A06B-0032-B075#7008	SVMTR B2/3K 32KABS ST/KY	\$942	A06B-0113-B080#7008	SVMTR A0.5/3K 8KINC ST/KY	\$1,265
A06B-0032-B075#7076	SVMTR B2/3K A32K ST KY IP67	\$1,237	A06B-0113-B175#7000	SVMTR B0.5/3K 32KABS ST BRK	\$1,211
A06B-0032-B077#7008	SVMTR B2/3000 I32 ST/KY	\$826	A06B-0113-B175#7008	SVMTR B0.5/3K 32KABS ST/KY BK	\$1,217
A06B-0032-B077#7076	SVMTR B2/3000 I32 ST/KY IP67	\$1,555	A06B-0113-B175#7076	SVMTR B 5/3K A32K ST KY BKIP67	\$1,511
A06B-0032-B078#7008	USE A06B-0032-B075#7008 WHEN OUT	\$1,021	A06B-0113-B177#7000	SVMTR A0.5/3K 32KINC	\$1,102
A06B-0032-B078#7076	IP67 B2/3000 A8 MOTOR	\$1,803	A06B-0113-B180#7008	SVMTR A0.5/3K 8KINC ST/KY BRK	\$2,513
A06B-0032-B080#7008	SVMTR B2/3K ST/KY	\$826	A06B-0115-B075#0008	SVMTR bM0.5/4000 ST/KY NBK 32K	\$948
A06B-0032-B175#7000	SVMTR B2/3K 32KABS ST BRK	\$1,422	A06B-0115-B075#0076	SVMTR bM0.5/4000 ST/KY NBK 32K IP67	\$1,257
A06B-0032-B175#7008	SVMTR B2/3K 32KABS ST/KY BRK	\$1,006	A06B-0115-B103	SVMTR b0.5/5000IS ST	\$709
A06B-0032-B175#7076	SVMTR B2/3K A32K ST KY BK IP67	\$2,340	A06B-0115-B203	SVMTR b0.5/5000IS ST/KY	\$761
A06B-0032-B178#7076	SVMTR B2/3K 8KABS S/K BRK IP67	\$2,151	A06B-0115-B503	SVMTR b0.5/5000IS ST/KY BRK	\$1,790
A06B-0032-B575#7075	SVMTR B2/3K A32 TP IP67	\$1,674	A06B-0116-B075#0008	SVMTR BM1/4K ST/KY 32KABS	\$991
A06B-0032-B577#7000	SVMTR B2/3K I32 TP	\$729	A06B-0116-B075#0076	SVMTR BM1/4000 32KABS ST KY IP67	\$1,300
A06B-0032-B675#0075	SVMTR B2 3K A32B TP BRK	\$2,176	A06B-0116-B203	SVMTR B1/5000IS ST W/KY	\$790
A06B-0032-B677#7000	SVMTR B2 3K I32B TP BRK	\$1,308	A06B-0116-B275#0008	SVMTR BETA M1/4000 A32 BR	\$1,894
A06B-0033-B075#7008	SVMTR B3/3K 32KABS ST/KY	\$958	A06B-0121-B075#7000	SVMTR AC3/2K 64KABS TP	\$1,185
A06B-0033-B075#7076	SPMTR B3/3K 32KABS ST/KY IP67	\$1,357	A06B-0121-B575#7008	SVMTR AC3 2K 64KABS ST KY	\$1,049
A06B-0033-B077#7000	SVMTR B3/3K 32KINC ST/NKY	\$843	A06B-0121-B575#7076	SVMTR AC3 2K 64KABS ST KY IP67	\$1,771
A06B-0033-B077#7008	SVMTR B3/3K 32KINC ST/KY	\$843	A06B-0121-B577#7008	SVMTR AC3 2K 64KINC ST KY	\$847
A06B-0033-B175#7008	SVMTR B3/3K 32KABS ST/KY BRK	\$1,440	A06B-0121-B577#7076	SVMTR AC3/2K 64KINC ST/KY IP67	\$1,568
A06B-0033-B575#7000	SVMTR B3/3K 32KABS TP/KY	\$941	A06B-0121-B578#7008	SVMTR AC3 2K 8KABS ST/KY	\$1,049
A06B-0033-B577#7000	SVMTR B3/3K 32KINC TP/KY	\$822	A06B-0121-B580#7000	SVMTR AC3 2K 8KINC ST NKY	\$847
A06B-0033-B675#7000	SVMTR B3/3K 32KABS TP/KY BRK	\$1,441	A06B-0121-B580#7008	SVMTR AC3 2K 8KINC ST/KY	\$847
A06B-0034-B075#7000	SVMTR B6/2K 32KABS ST	\$1,017	A06B-0121-B675#7008	SVMTR AC3/2K 64KABS ST/KY BRK	\$2,268
A06B-0034-B075#7008	SVMTR B6/2K 32KABS ST/KY	\$1,017	A06B-0121-B675#7076	SVMTR AC3/2K 64KA S/K BRK IP67	\$2,991
A06B-0034-B075#7076	SVMTR B6/2K A32K ST KY IP67	\$1,311	A06B-0121-B677#7008	SVMTR AC3 2K 64KINC ST KY BRK	\$2,065
A06B-0034-B077#7000	SVMTR B6/2000 I32ST	\$901	A06B-0121-B677#7076	SVMTR AC3 2K 64KINC ST K B IP6	\$2,787
A06B-0034-B077#7008	SVMTR B6/2K 32KINC ST/KY	\$901	A06B-0121-B678#7008	SVMTR AC3 2K 8KABS ST/KY BRK	\$2,268
A06B-0034-B078#7076	SVMTR B6/2K 8KABS ST/KY IP67	\$1,884	A06B-0121-B680#7008	SVMTR AC3 2K 8KINC ST/KY BRK	\$2,065
A06B-0034-B175#7008	SVMTR B6/2K 32KABS ST/KY BRK	\$1,499	A06B-0121-K050	FAN KIT ALPHA M9	\$353
A06B-0034-B175#7076	SVMTR B6/2K A32K ST KY BK IP67	\$1,792	A06B-0123-B075#7000	SVMTR A3/3K 64KABS TP	\$1,449
A06B-0034-B178#7008	SVMTR B6 2K 8KABS ST/KY BRK	\$1,448	A06B-0123-B075#7075	SERVO MOTOR A3	\$2,800

RENEWAL PARTS  
PRICING

D-23



# A06B-0123-B076#7000

Part Number	Description	Price	Part Number	Description	Price
A06B-0123-B076#7000	SVMTR A3/3K 64KABS+SC TP	\$1,775	A06B-0128-B076#7075	SVMTR A6/3K A64+SC TP IP67	\$2,298
A06B-0123-B077#1001	SVMTR A3/3K MIYANO SPEC	\$1,520	A06B-0128-B077#7000	SVMTR A6/3K 64KINC TP	\$1,373
A06B-0123-B077#7000	SVMTR A3/3K 64KINC TP	\$1,246	A06B-0128-B077#7200	SVMTR A6/3K 64KINC TP	\$1,550
A06B-0123-B077#7200	SVMTR A3 3K 64I TP LR	\$1,607	A06B-0128-B088#7000	SVMTR A6/3K 1MABS TP	\$1,737
A06B-0123-B084#7000	SV MTR A3 3K 1MABS	\$1,733	A06B-0128-B175#7000	SVMTR A6 3K 64KABS NKY	\$2,795
A06B-0123-B088#7000	SVMTR A3/3K 1MABS TP	\$1,611	A06B-0128-B175#7075	SVMTR A6/3K BRK A64 ST/NKY IP67	\$3,517
A06B-0123-B088#7075	SVMTR A3/3K 1MABS ST IP67	\$2,332	A06B-0128-B176#7000	SVMTR A6/3000 A64+SC BRK CE	\$2,795
A06B-0123-B175#7000	SVMTR A3 3K 64KABS TP	\$2,670	A06B-0128-B177#7000	SVMTR A6/3K 64KINC BRK TP/K	\$2,591
A06B-0123-B176#7000	SVMTR A3B/3000 A64+SC TAPER NOKEY	\$2,670	A06B-0128-B575#7000	SVMTR A6/3K 64KABS ST	\$1,575
A06B-0123-B177#7000	SVMTR A3 3K I64 TP BRK	\$2,466	A06B-0128-B575#7008	SVMTR A6/3K 64KABS ST/KY	\$1,576
A06B-0123-B575#7000	SVMTR A3S/3000 A64	\$1,449	A06B-0128-B575#7075	SVMTR A6/3K 64KABS ST/NKY IP67	\$2,298
A06B-0123-B575#7008	SVMTR A3 3K 64KABS ST/KY	\$1,449	A06B-0128-B575#7076	SVMTR A6 3K 64KABS ST KY IP67	\$2,298
A06B-0123-B575#7075	SVMTR A3S/3000 A64	\$2,172	A06B-0128-B575#7208	SVMTR A6/3K SP RUNOUT	\$1,576
A06B-0123-B575#7076	SVMTR A3 3K 64KABS ST/KY IP67	\$2,172	A06B-0128-B575#7276	SVMTR A6/3K ST KY SP RUNOUT	\$2,298
A06B-0123-B577#7008	SVMTR A3 3K 64KINC ST/KY	\$1,246	A06B-0128-B575#C076	SVMTR A6 64KABS ST/KY IP67 CS	\$2,328
A06B-0123-B577#7076	SVMTR A3/3K 64KINC ST/KY IP67	\$1,968	A06B-0128-B576#7000	SVMTR A6/3000 A64 + SC	\$1,575
A06B-0123-B584#7008	SVMTR A3/3K 1MABS ST/KY	\$1,735	A06B-0128-B576#7008	SVMTR A6 3K 64KABS+SC ST/KY	\$1,575
A06B-0123-B584#7076	SVMTR A3/3K 1MABS ST/KY IP67	\$2,456	A06B-0128-B576#7076	SVMTR A6/3K 64KABS+SC ST/KY IP67	\$2,596
A06B-0123-B588#7008	SVMTR A3/3K 1MABS ST/KY	\$2,293	A06B-0128-B577#7000	SVMTR A6 3K 64KINC ST	\$1,373
A06B-0123-B588#7075	SVMTR A3/3K 1MABS ST IP67	\$2,782	A06B-0128-B577#7008	SVMTR A6 3K 64KINC ST/KY	\$1,373
A06B-0123-B588#7076	SVMTR A3/3K 1MABS ST/KY IP67	\$3,034	A06B-0128-B577#7012	SVMTR A6 3K 64KINC ST V	\$1,676
A06B-0123-B675#7000	SVMTR A3/3000 A64	\$2,670	A06B-0128-B577#7075	SVMTR A6/3K 64KINC ST IP67	\$2,366
A06B-0123-B675#7008	SVMTR A3/3K 64KABS ST/KY BRK	\$2,670	A06B-0128-B577#7076	SVMTR A6/3K 64KINC ST/KY IP67	\$2,094
A06B-0123-B675#7075	SVMTR A3/3K 64KABS	\$3,392	A06B-0128-B577#7208	SVMTR A6/3K 64KINC ST/KY LR	\$1,550
A06B-0123-B675#7076	SVMTR A3/3K 64KABS S/K BR IP67	\$3,392	A06B-0128-B577#7276	SVMTR A6 3K SPECIAL RUNOUT	\$2,135
A06B-0123-B675#7275	SVMTR A3/3K 64KABS ST BRK IP67	\$3,392	A06B-0128-B588#7008	SVMTR A6/3K 1MABS ST/KY	\$1,737
A06B-0123-B677#7000	SVMTR A3 3K 64KINC ST BRK	\$3,179	A06B-0128-B588#7075	SVMTR A6/3K 1MABS ST IP67	\$2,458
A06B-0123-B677#7008	SVMTR A3 3K 64KINC ST/KY BRK	\$2,466	A06B-0128-B588#7076	SVMTR A6/3K 1MABS ST/KY IP67	\$2,459
A06B-0123-B677#7076	SVMTR A3 3K 64KINC ST/KY B IP6	\$3,189	A06B-0128-B675#7000	SVMTR A6SB/3000 A64	\$2,795
A06B-0123-B684#7008	SVMTR A3/3K 1MABS ST/KY BRK	\$2,953	A06B-0128-B675#7008	SVMTR A6/3K 64KABS ST/KY BRK	\$2,795
A06B-0123-B684#7076	SV Motor A3/3000 1MABS ST/K BR	\$4,738	A06B-0128-B675#7075	SVMTR A6/3K BRK A64 ST/NKY IP67	\$3,517
A06B-0123-B688#7008	SVMTR A3/3K 1MABS ST/KY BRK	\$2,830	A06B-0128-B675#7076	SVMTR A6 3K 64KABS ST KY BR 67	\$3,517
A06B-0123-B688#7076	SVMTR A3/3K 1MABS S/K BR IP67	\$3,552	A06B-0128-B675#7208	SVMTR A6/3K BRK SP RUNOUT	\$2,795
A06B-0126-B075#7000	SVMTR A C6 2K 64KABS TP	\$1,174	A06B-0128-B675#7276	SVMTR A6/3K ST BRK SP RUNOUT	\$3,517
A06B-0126-B075#7075	SVMTR AC6/2K 64KABS TP/KY IP67	\$1,896	A06B-0128-B676#7000	SVMTR A6SB/3000 A64+SC	\$2,795
A06B-0126-B077#7000	SVMTR AC6/2K 64KINC TP	\$971	A06B-0128-B676#7008	SVMTR A6/3K A64+SC ST/KY	\$2,795
A06B-0126-B575#7008	SVMTR A6 2K 64KABS ST KY	\$1,175	A06B-0128-B677#7000	SVMTR 6SB/3000 I64	\$2,591
A06B-0126-B575#7076	SVMTR AC6/2K 64KABS ST/KY IP67	\$1,896	A06B-0128-B677#7008	SVMTR A6/3K 64KINC ST/KY BRK	\$2,591
A06B-0126-B577#7000	SVMTR AC6/2K 64KINC ST/NKY	\$1,252	A06B-0128-B677#7076	SVMTR A6 3K 64KINC ST KY B IP6	\$4,405
A06B-0126-B577#7008	SVMTR AC6 2K 64KINC ST KY	\$971	A06B-0128-B677#7208	SVMTR A6/3K 64KINC S/K BK LR	\$2,928
A06B-0126-B577#7076	SVMTR AC6/2K 64KINC ST/KY IP67	\$1,693	A06B-0128-B677#7276	SVMTR A6/3K 64KINC S/K BK LR IP	\$4,405
A06B-0126-B578#7008	SVMTR AC6 2K 8KABS ST/KY	\$1,175	A06B-0128-B684#7076	SV Motor A6/3000 1MABS ST/K BR	\$3,860
A06B-0126-B580#7008	SVMTR AC6/2K 64KABS ST/KY	\$971	A06B-0128-B688#7008	SVMTR A6/3K 1MABS ST/KY BRK	\$2,956
A06B-0126-B675#7008	SVMTR AC6/2K 64KABS ST/KY BRK	\$2,394	A06B-0128-B688#7076	SVMTR A6/3K 1MAB ST/KY BR IP67	\$3,679
A06B-0126-B675#7076	SVMTR AC6/2K 64KA S/K BRK IP67	\$3,117	A06B-0131-B075#7000	SVMTR A1000/2K TP NKY 6AABS	\$31,764
A06B-0126-B677#7000	SVMTR AC6 2K 64KINC ST BRK	\$2,825	A06B-0133-B075#7000	SVMTR B0.5/3K 32KABS ST	\$1,093
A06B-0126-B677#7008	SVMTR AC6 2K 64KINC ST KY BRK	\$2,191	A06B-0137-B075#7000	SVMTR A300/2K A64	\$14,337
A06B-0126-B677#7076	SVMTR AC6 2K 64KINC ST K B IP6	\$2,913	A06B-0138-B075#7000	SVMTR A400/2000 A64 TP KY	\$18,188
A06B-0126-B678#7008	SVMTR AC6 2K 8KABS ST/KY BRK	\$2,394	A06B-0141-B075#7008	SVMTR AC12/2K 64KABS ST/KY	\$1,913
A06B-0126-B680#7008	SVMTR AC6 2K 8KINC ST/KY BRK	\$2,191	A06B-0141-B075#7075	SVMTR AC12/2K 64KABS ST/N KY IP67	\$2,635
A06B-0127-B075#7000	SVMTR A6/2K 64KABS TP	\$1,576	A06B-0141-B075#7076	SVMTR AC12/2K 64KABS ST/KY IP67	\$2,635
A06B-0127-B075#7075	SVMTR A6/2K 64KABS ST IP67	\$2,298	A06B-0141-B077#7000	SVMTR AC12/2K 64KINC ST/NKY	\$1,930
A06B-0127-B076#7000	SVMTR A6/2K 64KABS SC TP	\$1,575	A06B-0141-B077#7008	SVMTR AC12/2K 64KINC ST/KY	\$1,709
A06B-0127-B077#1001	SVMTR A6/2K MIYANO SPECIAL	\$1,673	A06B-0141-B077#7076	SVMTR AC12 2K 64KINC ST KY IP6	\$2,432
A06B-0127-B077#7000	SVMTR A6/2K 64KINC TP	\$1,373	A06B-0141-B078#7008	SVMTR AC12 2K 8KABS ST/KY	\$1,913
A06B-0127-B077#7075	SVMTR A6/2K 64KINC TP	\$2,700	A06B-0141-B080#7008	SVMTR AC12 2K 8KINC ST/KY	\$1,709
A06B-0127-B077#7200	SVMTR A6 2K 64I TP LR	\$1,681	A06B-0141-B175#7008	SVMTR AC12 2K 64KABS ST KY BRK	\$3,132
A06B-0127-B088#7000	SVMTR A6/2K 1MABS TP	\$1,737	A06B-0141-B175#7076	SVMTR AC12 2K 64KABS ST K B IP	\$3,855
A06B-0127-B175#7000	SVMTR A6/2K 64KABS TP B	\$2,795	A06B-0141-B175#7208	SVMTR AC12/2K ST KY BRK SP RUNOUT	\$3,132
A06B-0127-B176#7000	SVMTR A6/2000 A64+SC TP/K	\$2,795	A06B-0141-B177#7008	SVMTR AC12/2K 64KINC ST/KY BRK	\$2,929
A06B-0127-B177#7000	SVMTR A6/2K 64KINC TP BR	\$2,591	A06B-0141-B177#7076	SVMTR AC12/2K 64KI S/K BR IP67	\$3,651
A06B-0127-B188#7000	SVMTR A6/2K 1MMKABS TP B	\$3,811	A06B-0141-B178#7008	SVMTR AC12 2K 8KABS ST/KY BRK	\$3,132
A06B-0127-B575#7000	SVMTR A6 2K 64KABS ST	\$1,929	A06B-0141-B180#7008	SVMTR AC12 2K 8KINC ST/KY BRK	\$2,929
A06B-0127-B575#7008	SVMTR A6/2K 64KABS ST/KY	\$1,576	A06B-0141-B575#7000	SVMTR AC12/2K 64KABS	\$1,913
A06B-0127-B575#7076	svmtr A6S/2000 A64	\$2,962	A06B-0141-B578#7008	SVMTR AC12 2K 8KABS ST/KY	\$1,913
A06B-0127-B575#7208	SVMTR A6/2K SP RUNOUT	\$1,575	A06B-0141-B580#7008	SVMTR AC12 2K 8KINC ST/KY	\$1,709
A06B-0127-B576#7008	A6S/2000 A64+SC	\$1,575	A06B-0141-B675#7008	SVMTR AC12 2K BRK 64KABS	\$3,132
A06B-0127-B577#7000	SVMTR A6 2K 64KINC ST NKY	\$1,373	A06B-0141-B678#7008	SVMTR AC12 2K 8KABS ST/KY BRK	\$3,132
A06B-0127-B577#7008	SVMTR A6/2K 64KINC ST/KY	\$1,373	A06B-0141-B680#7008	SVMTR AC12 2K 8KINC ST/KY BRK	\$2,929
A06B-0127-B577#7012	SVMTR A6 2K 64KINC	\$1,484	A06B-0141-K050	FAN KIT A12-40 SERVO MOTORS	\$353
A06B-0127-B577#7076	SVMTR A6 2K 64KINC ST/KY IP67	\$2,094	A06B-0142-B074#7000	AC MTR 10SS/2000 TP 40KINC	\$2,862
A06B-0127-B577#7208	SVMTR A6/2K 64KINC ST/KY LR	\$2,752	A06B-0142-B075#7000	SVMTR A12/2K 64KABS ST/NKY	\$2,614
A06B-0127-B584#7008	SVMTR A6 2K 1MABS ST/KY	\$1,859	A06B-0142-B075#7008	SVMTR A12/2K 64KABS ST/KY	\$2,313
A06B-0127-B588#7000	SVMTR A6 2K 1MABS ST	\$2,126	A06B-0142-B075#7075	SVMTR A12 2K 64KABS ST IP67	\$3,035
A06B-0127-B588#7008	SVMTR A6 2K 1MABS ST/KY	\$1,737	A06B-0142-B075#7076	SVMTR A12 2K 64KABS ST/KY IP67	\$3,035
A06B-0127-B589#7008	SVMTR A6/2K 1MABS+SC ST/KY	\$3,125	A06B-0142-B076#7000	SVMTR A12 2K 64KINC+SC ST	\$2,313
A06B-0127-B675#7000	SVMTR A6/2K A64 BRK	\$2,795	A06B-0142-B076#7075	SVMTR A12 2K 64KINC IP67	\$3,035
A06B-0127-B675#7008	SVMTR A6/2K 64KABS ST/KY BRK	\$2,795	A06B-0142-B077#7000	SVMTR A12 2K 64KINC ST NKY	\$2,110
A06B-0127-B677#7008	SVMTR A6/2K 64KINC ST/KY BRK	\$3,342	A06B-0142-B077#7008	SVMTR A12/2K 64KINC ST/KY	\$2,110
A06B-0127-B677#7076	SVMTR A6/2K 64KINC ST KY B IP	\$3,315	A06B-0142-B077#7012	SVMTR A12/2K 64KINC ST V-WAY	\$2,716
A06B-0127-B677#7208	SVMTR A6/2K 64KINC S/K BRK LR	\$4,096	A06B-0142-B077#7075	SVMTR A12 2K 64KINC ST IP67	\$2,833
A06B-0128-B075#7000	SVMTR A6/3K 64KABS TP	\$1,576	A06B-0142-B088#7000	SVMTR A12 2K 1MABS ST NKY	\$2,475
A06B-0128-B075#7075	SVMTR A6/3K 64KABS TP CL67	\$2,298	A06B-0142-B088#7008	SVMTR A12/2K 1MABS ST/KY	\$2,699
A06B-0128-B076#7000	SVMTR A6/3000 A64 + SC	\$1,575	A06B-0142-B088#7075	SVMTR A12 2K 1MMABS ST IP67	\$3,588

RENEWAL PARTS  
PRICING

D-24





Part Number	Description	Price
A06B-0142-B089#7000	SVMTR A12 2K 1MABS+SC ST NKY	\$2,855
A06B-0142-B175#7000	SVMTR A12/2K 64KABS ST B NKY	\$3,533
A06B-0142-B175#7008	SVMTR A12 2K 64KABS BRK	\$3,534
A06B-0142-B175#7076	SVMTR A12 2K 64KABS ST/KY BRK IP67	\$4,276
A06B-0142-B175#7208	SVMTR A12 2K 64KABS ST/KY BRK	\$3,615
A06B-0142-B176#7000	SVMTR A12 2K 64INC ST BRK	\$3,533
A06B-0142-B177#7000	SVMTR A12 2K 64INC ST BRK	\$3,330
A06B-0142-B177#7008	SVMTR A12 2K 64KINC ST BRK	\$3,330
A06B-0142-B177#7012	SVMTR A12 2K 64INC	\$3,625
A06B-0142-B177#7076	SVMTR A12 2K 64KINC ST BRK IP67	\$4,052
A06B-0142-B575#7000	SVMTR A12/2K 64KABS TP	\$2,313
A06B-0142-B577#7000	SVMTR A12/2K 64KINC TP	\$2,110
A06B-0142-B588#7000	SVMTR A12/2K 1MABS TP	\$2,475
A06B-0142-B675#7200	SVMTR A12TB/2000 A64 W/SHAFT RUNOUT	\$3,615
A06B-0142-B677#7000	SVMTR A12/2000 A64 TP BRK	\$3,330
A06B-0143-B075#7000	SVMTR A12 3K 64KABS ST/NKY	\$2,313
A06B-0143-B075#7008	SVMTR A12/3K 64KABS ST/KY	\$2,313
A06B-0143-B075#7075	SVMTR 12/3000 A64	\$3,036
A06B-0143-B075#7076	SVMTR A12/3K 64KABS ST/KY IP67	\$3,036
A06B-0143-B075#7275	SVMTR A12/3K 64KABS ST IP67	\$3,158
A06B-0143-B075#C076	SVMTR A12 3K 64KABS	\$3,065
A06B-0143-B076#7000	SVMTR A12/3000 A64 + SC	\$2,313
A06B-0143-B076#7075	SVMTR A12/3000 A64 + SC -IP67	\$3,035
A06B-0143-B077#7000	SVMTR A12/3K 64KINC ST	\$2,110
A06B-0143-B077#7008	SVMTR A12/3K 64KINC ST/KY	\$2,110
A06B-0143-B077#7075	SVMTR A12/3K 64KI ST NKY IP67	\$2,833
A06B-0143-B077#7076	SVMTR A12/3K 64KINC ST/KY IP67	\$2,833
A06B-0143-B084#7008	SVMTR A12/3K 1MABS ST/KY	\$2,598
A06B-0143-B084#7076	SVMTR A12/3K 1MABS ST/KY IP67	\$3,320
A06B-0143-B085#7000	SVMTR, A12/3000 SERIALA+SC	\$2,597
A06B-0143-B088#7008	SVMTR A12/3K 1MABS ST/KY	\$2,475
A06B-0143-B088#7075	SVMTR A12/3K 1MABS ST IP67	\$3,504
A06B-0143-B088#7076	SVMTR A12/3K 1MABS ST/KY IP67	\$3,196
A06B-0143-B175#7000	SVMTR 12B/3000 A64	\$3,533
A06B-0143-B175#7008	SVMTR A12 3K 64KABS ST/KY BRK	\$3,534
A06B-0143-B175#7075	SVMTR A12/3K 64KA S BRK IP67	\$4,256
A06B-0143-B175#7076	SVMTR A12 3K 64KABS ST K B IP6	\$4,256
A06B-0143-B175#7275	SVMTR A12/3K 64KA ST BK IP67	\$4,256
A06B-0143-B176#7000	SVMTR 12B/3000 A64-SC	\$3,533
A06B-0143-B176#7075	SVMTR 12B/3000 A64+SC IP67	\$4,276
A06B-0143-B177#7000	SVMTR A12/3K I64	\$3,429
A06B-0143-B177#7008	SVMTR A12/3K 64KINC ST/KY BRK	\$3,330
A06B-0143-B177#7012	SVMTR A12/3K I64	\$3,698
A06B-0143-B177#7076	SVMTR A12/3K 64KI S/K BRK IP67	\$4,053
A06B-0143-B184#7008	SVMTR A12/3K 1MABS ST/KY BRK	\$3,817
A06B-0143-B184#7076	SV Motor A12/3000 1MABS ST/K B	\$4,536
A06B-0143-B188#7008	SVMTR A12/3K 1MABS ST/KY BRK	\$4,405
A06B-0143-B188#7075	SVMTR A12/3000	\$4,424
A06B-0143-B188#7076	SVMTR A12/3K 1MAB S/K BRK IP67	\$4,417
A06B-0143-B188#7275	SVMTR A12/3000	\$4,424
A06B-0143-B675#7000	SVMTR A12 3K 64KABS TP BRK	\$3,533
A06B-0143-B675#7075	SVMTR A12 3K 64KABS TP BRK IP67	\$4,276
A06B-0143-B677#7000	SVMTR A12 3K 64KINC TP BRK	\$3,330
A06B-0143-B677#7076	SVMTR A12 3K 64KINC ST/KY B IP	\$4,053
A06B-0145-B075#7000	SVMTR A22/1.5K A64 ST	\$2,731
A06B-0145-B075#7008	SVMTR AC22/1.5K 64KABS ST/KY	\$2,444
A06B-0145-B075#7075	SVMTR AC22/1.5K 64KA ST/N KY IP67	\$3,167
A06B-0145-B075#7076	SVMTR AC22/1.5K 64KA ST/K IP67	\$3,167
A06B-0145-B077#7008	SVMTR AC22/1.5K 64KINC ST/KY	\$2,241
A06B-0145-B077#7076	SVMTR AC22/1.5K 64KI ST/K IP67	\$2,963
A06B-0145-B078#7008	SVMTR AC22 1.5K 8KABS ST/KY	\$2,444
A06B-0145-B080#7008	SVMTR AC22 1.5K 8KINC ST/KY	\$2,241
A06B-0145-B175#7000	SVMTR AC22 2K 64KABS BRK	\$3,665
A06B-0145-B175#7008	SVMTR AC22 2K 64KABS ST KY BRK	\$3,665
A06B-0145-B175#7076	SVMTR AC22 2K 64KABS ST K B IP	\$4,387
A06B-0145-B177#7000	SVMTR AC22/1.5K 64KINC BRK	\$3,461
A06B-0145-B177#7008	SVMTR AC22/1.5K 64KINC S/K BRK	\$3,461
A06B-0145-B177#7076	SVMTR AC22/1.5 64KI S/K B IP67	\$4,184
A06B-0145-B178#7008	SVMTR AC22 1.5K 8KABS ST/KY BK	\$3,665
A06B-0145-B578#7008	SVMTR AC22 1.5K 8KABS ST/KY	\$2,444
A06B-0145-B580#7008	SVMTR AC22 1.5K 8KINC ST/KY	\$2,241
A06B-0145-B678#7008	SVMTR AC22 1.5K 8KABS ST/KY BK	\$3,665
A06B-0145-B680#7008	SVMTR AC22 1.5K 8KINC ST/KY BK	\$3,461
A06B-0146-B075#7000	SVMTR A22/1.5K 64KABS ST NKY	\$2,846
A06B-0146-B075#7008	SVMTR A22 1.5K 64KABS ST/KY	\$2,846
A06B-0146-B075#7075	SERVO MOTOR	\$3,646
A06B-0146-B077#7000	SVR MTR A22/1500 I64	\$2,643
A06B-0146-B077#7008	SVMTR A22/1.5K ST/KY 64KINC	\$2,643
A06B-0146-B085#7000	SVMTR A22/1500 SERIALA+SC	\$3,129
A06B-0146-B088#7000	SVMTR A22/1500 1M SERIAL	\$3,131
A06B-0146-B175#7000	SVMTR A22/1.5K 64KABS ST B NKY	\$4,065
A06B-0146-B176#7000	SVMTR A22/1.5K 64KINC ST	\$4,065
A06B-0147-B074#7008	SVMTR #20SS/2000 40KINC SR TP KY	\$3,319
A06B-0147-B075#7000	SVMTR A22 2K 64KABS ST NKY	\$3,253

Part Number	Description	Price
A06B-0147-B075#7008	SVMTR A22/2K 64KABS ST/KY	\$3,253
A06B-0147-B075#7075	SVMTR A22/2K 64KABSIP67	\$4,020
A06B-0147-B075#7076	SVMTR A22/2K 64KABS ST/KY IP67	\$3,975
A06B-0147-B076#7000	ALPHA SERVO A22/2000 A64+S CE	\$3,253
A06B-0147-B076#7008	SVMTR A22/2000 A64+SC KY	\$3,357
A06B-0147-B077#7000	SVMTR A22 2K 64KINC ST	\$3,049
A06B-0147-B077#7008	SVMTR A22 2K 64KINC ST KY	\$3,049
A06B-0147-B077#7075	SVMTR A22 2K 64KINC ST ip67	\$3,744
A06B-0147-B077#7076	SVMTR A22 2K 64KINC ST KY IP67	\$3,772
A06B-0147-B084#7000	SVMTR A12 2K 1MABS ST	\$3,617
A06B-0147-B084#7008	SVMTR A22/2K 1MABS ST/KY	\$3,536
A06B-0147-B084#7076	SV Motor A22/2000 1MABS ST/K I	\$4,280
A06B-0147-B085#7000	SVMTR A22 2K 1MABS+SC ST	\$3,536
A06B-0147-B088#7000	SVMTR A22 2K 1MABS ST	\$3,413
A06B-0147-B088#7008	SVMTR A22/2K 1MABS ST/KY	\$3,413
A06B-0147-B088#7010	SVMTR A22/2K 1MABS ST/KY	\$4,563
A06B-0147-B088#7075	SVMTR A22/2K 1MABS ST IP67	\$4,119
A06B-0147-B088#7076	SVMTR A22/2K 1MABS ST/KY IP67	\$4,135
A06B-0147-B089#7000	SVMTR A22/2K 1MABS+SC ST NKY	\$3,690
A06B-0147-B175#7000	SVMTR A22 2K 64KA ST NKY BRK	\$4,472
A06B-0147-B175#7008	SVMTR A22/2K 64KABS ST/KY BRK	\$4,472
A06B-0147-B175#7075	SVMTR A22/2K 64KABS BRK IP67	\$5,138
A06B-0147-B175#7076	SVMTR A22/2K 64KA S/K BRK IP67	\$5,195
A06B-0147-B176#7000	SVMTR A22 2K	\$4,472
A06B-0147-B177#7000	SVMTR A22/2K 64KINC ST/NKY BK	\$4,289
A06B-0147-B177#7008	SVMTR A22/2K 64KINC ST/KY BRK	\$4,269
A06B-0147-B177#7076	SVMTR A22/2K 64KI S/K BRK IP67	\$4,991
A06B-0147-B184#7000	SVMTR A22 2K 1MABS ST BRK	\$4,756
A06B-0147-B184#7008	SVMTR A22/2K 1MABS ST/KY BRK	\$4,756
A06B-0147-B188#7000	SVMTR A22 2K 1MABS ST BRK	\$4,623
A06B-0147-B188#7008	SVMTR A22/2K 1MABS ST/KY BRK	\$4,633
A06B-0147-B188#7076	SVMTR A22/2K 1MAB S/K BRK IP67	\$5,355
A06B-0147-B575#7000	SVMTR A22/2K 64KABS TP	\$3,253
A06B-0147-B577#7000	SVMTR A22/2K 64KINC TP	\$3,049
A06B-0147-B675#7000	SVMTR A22/2000 A64 TP BRK	\$4,472
A06B-0147-B675#7075	SVMTR A22/2000 A64 TP BRK IP67	\$5,138
A06B-0147-B688#7000	SVMTR A22/2000 A1000A	\$4,633
A06B-0148-B075#7000	SVMTR A22/3K 64KABS ST/NKY	\$3,543
A06B-0148-B075#7008	SVMTR A22 3K 64KABS ST/KY	\$3,456
A06B-0148-B075#7075	SVMTR A22/3000 A64 ST NKY IP67	\$4,179
A06B-0148-B075#7076	SVMTR A22 3K 64KABS ST KY IP67	\$4,523
A06B-0148-B075#7275	SVMTR A22/2000 A64	\$4,392
A06B-0148-B076#7000	SVMTR A22/3K 64KABS+SC	\$3,456
A06B-0148-B076#7008	SVMTR A22/3K 64KABS+SC ST/KY	\$3,456
A06B-0148-B076#7076	SVMTR A22/3000 A64+SC ST/KY IP67	\$4,206
A06B-0148-B077#7000	SVMTR A22/3K 64KINC ST/K	\$3,253
A06B-0148-B077#7008	SVMTR A22/3K 64KINC ST/KY	\$3,253
A06B-0148-B077#7075	SVMTR A22/3K 64KINC ST IP67	\$3,975
A06B-0148-B077#7076	SVMTR A22/3K 64KINC ST/KY IP67	\$4,289
A06B-0148-B084#7008	SVMTR A22 3K 1MABS ST KY	\$3,803
A06B-0148-B084#7076	SVMTR A22/3K 1MABS ST/KY IP67	\$4,462
A06B-0148-B088#7008	SVMTR A22/3K 1MABS ST/KY	\$3,617
A06B-0148-B088#7075	SVMTR A22/3K 1MABS ST IP67	\$4,338
A06B-0148-B088#7076	SVMTR A22/3K 1MABS ST/KY IP67	\$4,338
A06B-0148-B175#7000	SVMTR A22/3K 64KABS ST/NKY BK	\$4,676
A06B-0148-B175#7008	SVMTR A22/3K 64KABS ST/KY BRK	\$4,676
A06B-0148-B175#7075	SVMTR A22/3K 64KA ST BK IP67	\$5,398
A06B-0148-B175#7076	SVMTR A22/3K 64KABS ST/KY IP67	\$5,398
A06B-0148-B176#7000	SVM A22/3K 64KABS SC ST/NKY BK	\$4,662
A06B-0148-B177#7000	SVMTR A22/3K 64KINC ST/K BRK	\$4,472
A06B-0148-B177#7008	SVMTR A22 3K 64KINC ST/KY BRK	\$4,472
A06B-0148-B177#7076	SVMTR A22 3K 64KINC ST K B IP6	\$5,195
A06B-0148-B184#7008	SVMTR A22 3K 1MABS ST KY BRK	\$4,922
A06B-0148-B184#7076	SVMTR A22/3K 1MABS S/K BR IP67	\$5,681
A06B-0148-B188#7008	SVMTR A22/3K 1MABS ST/KY BRK	\$4,836
A06B-0148-B188#7075	SVMTR A22/3000	\$5,558
A06B-0148-B188#7076	SVMTR A22/3K 1MABS S/K BR IP67	\$5,558
A06B-0148-B675#7000	SVMTR A22/3K TP 64KABS BRK	\$4,662
A06B-0148-B677#7076	SVMTR A22 3K 64KINC ST/KY B IP	\$5,195
A06B-0148-B684#7076	SVMTR A22 3K 1MABS ST/KY B IP6	\$5,681
A06B-0151-B075#7000	SVMTR A30 1.2K 64KABS ST	\$3,659
A06B-0151-B075#7008	SVMTR A30/1.2K 64KABS ST/KY	\$3,660
A06B-0151-B075#7075	SVMTR A30/1.2K 64KABS IP67	\$4,392
A06B-0151-B075#7076	SVMTR A30/1.2K 64KAB ST/K IP67	\$4,382
A06B-0151-B076#7000	SVMTR A30/1200 A64/SC	\$3,659
A06B-0151-B077#7000	SVMTR A30 1.2K 64KINC ST NKY	\$3,456
A06B-0151-B077#7008	SVMTR A30 1.2K 64KINC ST KY	\$3,456
A06B-0151-B077#7076	SVMTR A30 1.2K 64KINC ST K IP6	\$4,179
A06B-0151-B084#7008	SVMTR A30/1.2K 1MABS ST/KY	\$3,943
A06B-0151-B084#7076	SV Motor A30/1200 1MABS ST/K I	\$4,652
A06B-0151-B088#7008	SVMTR A30/1.2K 1MABS ST/KY	\$3,820
A06B-0151-B088#7076	SVMTR A30/1.2K 1MABS ST/K IP67	\$4,541
A06B-0151-B175#7008	SVMTR A30/1.2K 64KAB ST/K BRK	\$4,879
A06B-0151-B175#7075	SVMTR A30/1.2K 64KABS BRK IP67	\$5,510





# A06B-0151-B175#7076

Part Number	Description	Price	Part Number	Description	Price
A06B-0151-B175#7076	SVMTR A30/1.2K 64KA S/K B IP67	\$5,601	A06B-0157-B088#7076	SVMTR A40/2K 1MABS ST/KY IP67	\$6,372
A06B-0151-B177#7008	SVMTR A30/1.2K 64KI ST/KY BRK	\$4,676	A06B-0157-B089#7000	SVMTR A40/2K 1MABS+SC ST NKY	\$6,069
A06B-0151-B177#7076	SVMTR A30/1.2K 64KI S/K B IP67	\$5,398	A06B-0157-B175#7000	SVMTR A40/2K 64KABS ST/NK BRK	\$6,708
A06B-0151-B184#7008	SVMTR A30/1.2K 1MAB ST/KY BRK	\$5,162	A06B-0157-B175#7008	SVMTR A40/2K 64KABS ST/KY BRK	\$6,709
A06B-0151-B184#7076	SV Motor A30/1200 1MABS ST/K B	\$5,770	A06B-0157-B175#7075	SVMTR A40/2K 64KA ST NKY BRK IP67	\$7,430
A06B-0151-B188#7008	SVMTR A30/1.2K 1MAB ST/KY BRK	\$5,039	A06B-0157-B175#7076	SVMTR A40/2K 64KA S/K BRK IP67	\$7,430
A06B-0151-B188#7076	SVMTR A30/1.2K 1MA S/K BR IP67	\$5,762	A06B-0157-B176#7000	SVMTR A40/2K 64KABS+SC ST/NK BRK	\$6,526
A06B-0152-B075#7008	SVMTR A30/2000 A64	\$4,065	A06B-0157-B177#7000	SVMTR A40/2K 64KINC ST BRK	\$6,339
A06B-0152-B075#7075	SVMTR A30/2K A64 ST IP67	\$4,787	A06B-0157-B177#7008	SVMTR A40/2K 64KINC ST/KY BRK	\$6,505
A06B-0152-B075#7076	SVMTR A30/2K 64KABS ST KY IP67	\$4,787	A06B-0157-B177#7076	SVMTR A40 2K 64KINC ST K B IP6	\$7,228
A06B-0152-B075#C075	SVMTR A30 2K 64KAB ST IP67 CSA	\$4,817	A06B-0157-B184#7008	SVMTR A40 2K 1MABS ST KY BRK	\$6,786
A06B-0152-B076#7000	SVMTR A30 2K 64KINC + SC ST	\$4,065	A06B-0157-B184#7076	SVMTR A40 2K 1MABS ST K B IP67	\$7,447
A06B-0152-B077#7000	SVMTR A30/2K 64KINC ST	\$3,863	A06B-0157-B188#7008	SVMTR A40/2K 1MABS ST/KY BRK	\$6,869
A06B-0152-B077#7075	SVMTR A30 2K 64KINC ST IP67	\$4,585	A06B-0157-B188#7076	SVMTR A40/2K 1MAB S/K BRK IP67	\$7,591
A06B-0152-B088#7000	SVMTR A30/2K 1MABS ST NKY	\$4,250	A06B-0158-B075#7000	SVMTR A40/2K A64 ST	\$5,489
A06B-0152-B089#7000	SVMTR A30/2K 1MABS+SC ST NKY	\$4,555	A06B-0158-B075#7008	SVMTR A40 2K 64KABS ST/KY FAN	\$5,489
A06B-0152-B175#7000	SVMTR A30/2K 64KABS ST BRK	\$5,221	A06B-0158-B075#7076	SVMTR A40 2K 64KABS S/K FAN IP	\$6,069
A06B-0152-B175#7075	SVMTR A30/2K 64KABS ST BRK IP67	\$6,007	A06B-0158-B076#7000	SVMTR A40/2000F A64+SC	\$5,489
A06B-0152-B175#7076	SVMTR A30/1.2K 64KA ST/K BR IP67	\$6,048	A06B-0158-B077#7008	SVMTR A40 2K 64KINC ST/KY FAN	\$5,286
A06B-0152-B175#C075	SVMTR A30 2K 64KABS BRK CSA	\$6,048	A06B-0158-B077#7076	SVMTR A40 2K 64KINC S/K FAN IP	\$5,883
A06B-0152-B175#C076	SVM A30 2K 64KABS ST K BK IP67	\$6,048	A06B-0158-B084#7008	SVMTR A40/2K 1MABS ST/KY FAN	\$5,772
A06B-0152-B176#7000	SVMTR A30B/2000 A64+SC	\$5,221	A06B-0158-B084#7076	SVMTR A40 2K 1MABS S/K FAN IP	\$6,329
A06B-0152-B177#7000	SVMTR A30 2K 64KINC ST BRK	\$5,082	A06B-0158-B088#7008	SVMTR A40/2K 1MABS ST/KY FAN	\$5,650
A06B-0152-B177#7075	SVMTR A30 I64 BRK IP67	\$5,804	A06B-0158-B175#7000	SVMTR A40/2K 64KAB ST/K BRK	\$6,708
A06B-0152-B577#7000	SVMTR A30 2K I64 TP	\$3,863	A06B-0158-B175#7008	SVMTR A40/2K 64KA ST/K BRK FAN	\$6,709
A06B-0152-B577#7075	SVMTR A30 2K I64 TP IP67	\$4,578	A06B-0158-B175#7076	SVMTR A40/2K 64KA ST/K BRK FAN	\$7,187
A06B-0152-B675#7000	SERVO MOTOR A30	\$5,285	A06B-0158-B175#C000	SVMTR A40 2K 64KABS CSA	\$6,749
A06B-0153-B075#7000	SVMTR A30/3K 64KABS	\$4,065	A06B-0158-B175#C008	SVMTR A40 2K 64 ST KY BRK CSA	\$6,749
A06B-0153-B075#7008	SVMTR A30 3K 64KABS ST/KY	\$4,065	A06B-0158-B176#7000	SVMTR A40B/2000F A64+SC	\$6,708
A06B-0153-B075#7075	SVMTR A30/3K 64KABS ST/KY IP67	\$4,788	A06B-0158-B177#7000	SVMTR A40 2K FAN 64KINC ST BRK	\$6,504
A06B-0153-B075#7076	SVMTR A30 3K 64KABS ST/KY IP67	\$4,788	A06B-0158-B177#7008	SVMTR A40 2K 64KINC ST K B FN	\$6,505
A06B-0153-B075#7275	SVMTR A30/3K 64KA ST IP67 LRO	\$4,788	A06B-0158-B184#7008	SVMTR A40/2K 1MA ST/K BRK FAN	\$6,993
A06B-0153-B076#7000	SVMTR A30/3000 A64+SC	\$4,065	A06B-0158-B188#7008	SVMTR A40/2K 1MA ST/K BRK FAN	\$6,869
A06B-0153-B076#7008	A30/3000 A64+SC	\$4,065	A06B-0162-B075#7000	SVMTR AM6/3000 A64	\$1,913
A06B-0153-B076#7075	SVMTR A30/3K 64KABS+SC ST IP67	\$4,787	A06B-0162-B076#7000	SVMTR AM6/3000 A64+S CE	\$1,913
A06B-0153-B076#7076	SVMTR A30/3K 64KABS+SC ST/KY IP67	\$4,765	A06B-0162-B088#7000	SVMTR AM6/3K 1MABS TP IP67	\$2,938
A06B-0153-B077#7008	SVMTR A30/3K 64KINC ST/KY	\$3,863	A06B-0162-B110#0075	SVMTR 5M/3000 TP BRE 10KINC	\$3,073
A06B-0153-B077#7076	SVMTR A30/3K 64KINC ST/KY IP67	\$4,547	A06B-0162-B174#7000	SVMTR 5M/3000 TP BRE 40KINC	\$2,942
A06B-0153-B084#7000	SVMTR A30/3K 1MABS ST/NKY	\$4,363	A06B-0162-B175#7000	AM6B/3000 I64 ST BRK	\$3,247
A06B-0153-B084#7008	SVMTR A30/3K 1MABS ST/KY	\$4,350	A06B-0162-B177#7000	AM6B/3000 I64	\$2,928
A06B-0153-B084#7075	SVMTR 30/3000	\$5,071	A06B-0162-B575#7008	SVMTR AM6/3K 64KABS ST/KY	\$1,913
A06B-0153-B088#7000	SVMTR A30 3K 1MABS ST	\$4,250	A06B-0162-B575#7076	SVMTR AM6/3K 64KABS ST/KY IP67	\$2,635
A06B-0153-B088#7008	SVMTR A30/3K 1MABS ST/KY	\$4,227	A06B-0162-B577#7000	SVMTR 6S/3K I64 ST/K	\$1,709
A06B-0153-B088#7075	SVMTR A30/3K 1MABS ST IP67	\$4,921	A06B-0162-B577#7008	SVMTR AM6/3K 64KINC ST/KY	\$1,930
A06B-0153-B088#7076	SVMTR A30/3K 1MABS ST/KY IP67	\$4,948	A06B-0162-B588#7008	SVMTR AM6/3000 A1000A ST/KY	\$2,072
A06B-0153-B088#7275	SVMTR A30/3K 1MABS ST IP67	\$4,912	A06B-0162-B677#7008	AM6SB/3000 ST BRK I64	\$2,928
A06B-0153-B089#7000	SVMTR A30/3000 A1000A	\$4,299	A06B-0163-B075#7000	SVMTR AM9 3K 64KABS TP	\$2,554
A06B-0153-B175#7000	SVMTR A30B/3K 64KABS BR	\$5,285	A06B-0163-B076#7000	SVMTR AM9 3K 64KABS-SC TP	\$2,886
A06B-0153-B175#7008	SVMTR A30/3K 64KABS ST/KY BRK	\$5,286	A06B-0163-B077#7000	SVMTR AM9/3K 64KINC TP	\$2,351
A06B-0153-B175#7075	SVMTR A30/3K BRK A64 ST/NKY IP67	\$6,008	A06B-0163-B088#7000	SVMTR AM9/3K 1MABS TP	\$2,864
A06B-0153-B175#7076	SVMTR A30/3K 64KA ST/K BR IP67	\$6,008	A06B-0163-B175#7000	SVMTR AM9B/3000 A64 TP BRK	\$3,771
A06B-0153-B175#C076	SVMTR A30 3K 64KABS ST	\$6,048	A06B-0163-B575#7000	SVMTR AM9 3K 64KABS ST N/KY	\$2,554
A06B-0153-B176#7000	MOTOR A64 SC	\$5,285	A06B-0163-B575#7008	SVMTR AM9 3K 64KABS ST KY	\$2,554
A06B-0153-B176#7075	SVMTR A30/3000 A64+SC ST/BRK/IP67	\$6,007	A06B-0163-B575#7075	SVMTR AM9 3K 64KABS ST N/KY IP67	\$3,379
A06B-0153-B176#7076	SVMTR A30/3000 A64+SC ST/BRK/IP67	\$6,007	A06B-0163-B575#7076	SVMTR AM9 3K 64KABS ST KY IP67	\$3,276
A06B-0153-B177#7000	SVMTR A30/3000 I64	\$5,035	A06B-0163-B576#7000	SVMTR AM9/3000 A64 + SC	\$2,554
A06B-0153-B177#7008	SVMTR A30 3K 64KINC ST/KY BRK	\$5,082	A06B-0163-B576#7076	SVMTR AM9/3000 A64 + SC IP67	\$3,379
A06B-0153-B177#7076	SVMTR A30 3K 64KINC ST K B IP6	\$5,805	A06B-0163-B577#7000	SVMTR AM9S/3000 I64	\$2,656
A06B-0153-B184#7008	USE A06B-0153-B188#7008 WHEN OUT 5...491	\$5,569	A06B-0163-B577#7008	SVMTR AM9/3K 64KINC ST/KY	\$2,351
A06B-0153-B188#7008	SVMTR A30/3K 1MABS ST/KY BRK	\$5,446	A06B-0163-B577#7076	SVMTR AM9 3K 64KINC ST KY IP67	\$3,074
A06B-0153-B188#7075	SVMTR A30/3000 A1000A	\$6,152	A06B-0163-B584#7008	SVMTR AM9 3K 1MABS ST KY	\$2,978
A06B-0153-B188#7076	SVMTR A30/3K 1MAB S/K BRK IP67	\$6,169	A06B-0163-B584#7076	SVMTR AM9 3K 1MABS ST KY IP67	\$3,639
A06B-0153-B189#7000	SVMTR A30/3K 1MABS+SC ST NKY BRK	\$5,853	A06B-0163-B588#7008	SVMTR AM9/3K 1MABS ST/KY	\$2,715
A06B-0153-B575#7075	SVMTR A30/3K TP 64KABS IP67	\$4,788	A06B-0163-B675#7000	SVMTR AM9SB/3000 A64	\$3,774
A06B-0153-B577#7075	SVMTR A30/3K 64KINC TP IP67	\$4,578	A06B-0163-B675#7008	SVMTR AM9 3K 64KABS ST KY BRK	\$3,774
A06B-0153-B577#9999	SVMTR A30/3K	\$8,351	A06B-0163-B675#7075	SVMTR AM9/3K 64KA S/NK BRK IP67	\$4,496
A06B-0153-B588#7000	SVMTR A30/3000 A1000A	\$4,250	A06B-0163-B675#7076	SVMTR AM9 3K 64KAB ST K B IP67	\$4,496
A06B-0153-B675#7000	SVMTR A30/3K 64KABS TP BRK	\$5,285	A06B-0163-B677#7000	SVMTR AM9 3K 64KINC ST/NKY BRK	\$3,649
A06B-0153-B676#7000	SVMTR A30/3K 64KABS TP BRK	\$5,285	A06B-0163-B677#7008	SVMTR AM9 3K 64KINC ST KY BRK	\$3,571
A06B-0157-B075#7000	SVMTR A40/2000 A64	\$5,489	A06B-0163-B677#7076	SVMTR AM9 3K 64KIN ST K B IP67	\$4,311
A06B-0157-B075#7008	SVMTR A40/2K 64KABS ST/KY	\$5,489	A06B-0163-B684#7008	SVMTR AM9 3K 1MABS ST KY BRK	\$4,096
A06B-0157-B075#7075	SVMTR A40 64KABS ST/NKY IP67	\$6,212	A06B-0163-B684#7076	SVMTR AM9 3K 1MABS ST K B IP67	\$4,758
A06B-0157-B075#7076	SVMTR A40/2K 64KABS ST/KY IP67	\$6,212	A06B-0165-B075#7008	SVMTR AM22 64K	\$3,692
A06B-0157-B075#C075	SVMTR A40 2K 64KABS BRK CSA	\$6,240	A06B-0165-B076#7000	SV MTR AM22/3000 A64+SC	\$3,692
A06B-0157-B075#C076	SVMTR A40 2K 64KABS ST/KY IP67	\$6,241	A06B-0165-B076#7008	SVMTR AM22/3K A64+SC KY	\$3,929
A06B-0157-B076#7075	SVMTR A40/2K 64KABS+SC ST IP67	\$6,211	A06B-0165-B076#7075	SVMTR AM22/3K A64+SC IP67	\$4,414
A06B-0157-B076#7076	SVMTR A40/2K 64KABS+SC ST/KY IP67	\$6,069	A06B-0165-B088#7000	SVMTR AM22/3K 1MABS ST NKY	\$3,906
A06B-0157-B077#7008	SVMTR A40/2K 64KINC ST/KY	\$5,286	A06B-0165-B088#7008	SVMTR AM22/3K 1MABS ST/KY	\$3,906
A06B-0157-B077#7075	SVMTR A40 2K 64KINC ST NK IP67	\$6,008	A06B-0165-B176#7000	SVMTR AM22/3000 A64 + SC IP67	\$5,227
A06B-0157-B077#7076	SVMTR A40/2K 64KINC ST/KY IP67	\$6,008	A06B-0165-B176#7075	SVMTR AM22/3000 A64 + SC IP67	\$5,996
A06B-0157-B084#7008	SVMTR A40/2K 1MABS ST/KY	\$5,772	A06B-0166-B075#7000	SVMTR AM30/3K ST NKY	\$4,569
A06B-0157-B084#7076	SVMTR A40 2K 1MABS ST KY IP67	\$6,329	A06B-0166-B075#7008	SVMTR AM30 64K	\$4,574
A06B-0157-B088#7008	SVMTR A40/2K 1MABS ST/KY	\$5,650	A06B-0166-B076#7000	SVMTR AM30/3000 A64 + SC	\$4,573
A06B-0157-B088#7075	SVMTR A40/2000 A1000A	\$6,371	A06B-0166-B076#7075	SVMTR AM30/3000 A64 + SC	\$5,296

RENEWAL PARTS  
PRICING

D-26



Part Number	Description	Price
A06B-0166-B088#7000	SVMTR AM30/3K 1MA ST NKY	\$4,716
A06B-0166-B175#7000	SVMTR AM30B 3K	\$5,687
A06B-0166-B176#7000	SVMTR AM30/3000 A64 + SC	\$5,687
A06B-0166-B176#7075	SVMTR AM30/3000 A64 + SC IP67	\$6,516
A06B-0166-B188#7000	SVMTR AM30/3K 1MA TP BRK	\$5,834
A06B-0166-B676#7000	SVMTR AM30/3000 A64+SC ST/NKY BRK	\$5,598
A06B-0169-B075#7000	SVMTR AM40/3K 64KABS ST NO KEY	\$7,971
A06B-0169-B076#7000	SVMTR AM40/3K 64KABS+SC ST NO KEY	\$7,684
A06B-0169-B077#7000	SVMTR AM40/3K 64KINC ST NO KEY	\$7,768
A06B-0169-B088#7000	SVMTR AM40/3K 1MABS ST NO KEY	\$8,131
A06B-0169-B175#7000	SVMTR AM40/3K 64KA ST N/KY BRK	\$9,191
A06B-0169-B176#7000	SVMTR AM40/3K 64KA+SC ST N/KY BRK	\$9,190
A06B-0170-B075#7000	SVMTR AM40/3K 64KA ST N/KY FAN	\$8,809
A06B-0170-B088#7000	SVMTR AM40/3K 1MA ST N/KY FAN	\$8,968
A06B-0170-B175#7000	SVMTR AM40/3K 64KA SNK BRK FAN	\$10,208
A06B-0171-B075#7000	SV MTR A3/3000HV TPSFT ABS64	\$1,538
A06B-0171-B077#7000	SV MTR A3/3000HV TPSFT INC64	\$1,335
A06B-0171-B575#7000	SVMTR A3/3000HV A64 ST	\$1,539
A06B-0171-B575#7008	SVMTR A3HV 3K 64KABS ST KY	\$1,738
A06B-0171-B577#7008	SVMTR A3HV 3K 64KINC ST KY	\$2,085
A06B-0171-B775#7000	SVMTR A3/3000HV A64 ST BRK	\$2,904
A06B-0171-B775#7008	SVMTR A3/3000HV A64 ST/KY BRK	\$2,904
A06B-0171-B775#7076	SVMTR A3/3000HV A64 ST/KY BRK IP67	\$3,566
A06B-0172-B075#7000	SVMTR A6HV/3K TP 64KABS	\$1,667
A06B-0172-B177#7000	SV MTR A6/3000 TPSFT w/BR INC64	\$2,683
A06B-0172-B275#7000	SV MTR A6/3000 TPSFT w/BR A64	\$2,886
A06B-0172-B575#7000	SVMTR A6HV 3K 64KABS ST N/KY	\$1,882
A06B-0172-B575#7008	SVMTR A6HV 3K 64KABS ST KY	\$1,882
A06B-0172-B575#7075	SVMTR A6HV 3K 64KABS ST K IP67	\$2,389
A06B-0172-B575#7076	SVMTR A6HV 3K 64KABS ST K IP67	\$3,269
A06B-0172-B577#7008	SVMTR A6HV 3K 64KINC ST KY	\$1,653
A06B-0172-B775#7000	SVMTR A6/3K HV BRK	\$3,021
A06B-0172-B775#7076	SVMTR A6/3K HV BRK IP67	\$3,608
A06B-0176-B075#7000	SVMTR A12/3000HV A64	\$2,794
A06B-0176-B075#7008	SVMTR A12HV 3K 64KABS ST KY	\$2,794
A06B-0176-B075#7075	SVMTR A12/3000HV A64 IP67 KY	\$3,196
A06B-0176-B077#7000	SVMTR A12HV 3K 64KINC ST	\$2,566
A06B-0176-B077#7008	SVMTR A12HV 3K 64KINC ST KY	\$2,566
A06B-0176-B077#7075	SVMTR A12HV 3K 64KINC ST K IP	\$2,993
A06B-0176-B084#7008	SVMTR A12HV 3K 1MMABS ST KY	\$2,904
A06B-0176-B175#7008	SVMTR A12HV 3K 64ABS ST KY BK	\$3,762
A06B-0176-B177#7008	SVMTR A12HV 3K 64INC ST KY BK	\$3,576
A06B-0176-B184#7008	SVMTR A12HV 3K 1MABS ST KY BK	\$4,022
A06B-0176-B275#7000	SVMTR A12/3000HV A64 ST	\$3,762
A06B-0176-B275#7008	SVMTR A12B/3000HV KY BK	\$3,762
A06B-0176-B275#7075	SVMTR A12/3000HV A64 ST BRK IP67	\$4,417
A06B-0176-B275#7076	SVMTR A12B/3000HV KY IP67 BK	\$2,416
A06B-0176-B575#7208	SVMTR A12/3KHV 64KABS ST KY SP RO	\$4,474
A06B-0176-B775#7075	SVMTR A12/3K HV BRK TP IP67	\$4,424
A06B-0177-B075#7000	SVMTR A22/3000HV A64	\$3,665
A06B-0177-B075#7008	SVMTR A22HV 3K 64KABS ST KY	\$3,732
A06B-0177-B075#7075	A22/3000HV A64 CE	\$4,383
A06B-0177-B077#7000	SVMTR A22HV 3K 64KINC ST KY	\$3,544
A06B-0177-B077#7008	SVMTR A22HV 3K 64KINC ST KY	\$3,544
A06B-0177-B077#7075	SVMTR AHV22 3KINC ST IP67	\$4,179
A06B-0177-B084#7008	SVMTR A22HV 3K 1MMABS ST KY	\$3,992
A06B-0177-B175#7008	SVMTR A22HV 3K 64ABS ST KY BK	\$4,838
A06B-0177-B175#7076	SVMTR A22B/3000HV A64	\$5,563
A06B-0177-B177#7008	SVMTR A22HV 3K 64INC ST KY BK	\$4,662
A06B-0177-B177#7075	SVMTR A22B/3000 164 HV IP67	\$5,398
A06B-0177-B184#7008	SVMTR A22HV 3K 1MABS ST KY BK	\$5,110
A06B-0177-B275#7000	SVMTR A22/3000HV A64 ST BK	\$4,850
A06B-0177-B275#7075	SVMTR A22/3000HV A64 ST BK IP67	\$5,511
A06B-0177-B277#7000	SVMTR A22B/3000HV 64KINC ST BRK	\$4,663
A06B-0177-B277#7075	SVMTR A22B/3000HV 64KINC ST BRK	\$5,398
A06B-0177-B675#7208	SVMTR A22/3KHV 64KABS BRK ST KY SP	\$4,880
A06B-0178-B075#7008	SVMTR A30HV 3K 64KABS ST KY	\$3,933
A06B-0178-B075#7075	SVMTR A30/3000HV A64 ST IP67	\$4,603
A06B-0178-B077#7000	SVMTR AHV30 3KINC ST	\$3,678
A06B-0178-B077#7008	SVMTR A30HV 3K 64KINC ST KY	\$3,747
A06B-0178-B084#7008	SVMTR A30HV 3K 1MMABS ST KY	\$4,193
A06B-0178-B175#7008	SVMTR A30HV 3K 64ABS ST KY BK	\$5,052
A06B-0178-B177#7000	SVMTR AHV30 3KINC ST BRK	\$4,898
A06B-0178-B177#7008	SVMTR A30HV 3K 64INC ST KY BK	\$4,865
A06B-0178-B184#7008	SVMTR A30HV 3K 1MABS ST KY BK	\$5,311
A06B-0178-B275#7000	SVMTR A30B/3000HV 64KABS	\$5,101
A06B-0178-B275#7075	SVMTR A30B/3000HV 64KABS BRK IP67	\$5,714
A06B-0178-B277#7000	SVMTR A30B/3000HV 64KINC	\$4,898
A06B-0178-B277#7008	SVMTR A30B/3000HV 64KINC BRK	\$4,865
A06B-0179-B075#7075	SVMTR A40/2000HV A64 ST IP67	\$6,236
A06B-0179-B275#7000	SVMTR A40/2000HV A64 ST BK	\$6,283
A06B-0183-B275#7000	SV MTR AM9B/3000HV STSFT w/BR ABS64	\$4,231
A06B-0183-B777#7000	SVMTR AM9/3000HV 64KINC	\$4,028

Part Number	Description	Price
A06B-0185-B075#7000	SVMTR AM22/3KHV 64KABS ST	\$3,785
A06B-0185-B077#7000	SVMTR AM22/3KHV 64KINC ST	\$3,514
A06B-0185-B275#7000	SV MTR AM22B/3000HV STSFT w/BR ABS6	\$4,938
A06B-0185-B277#7000	SVMTR AM22/3K 64KINC ST BRK	\$4,734
A06B-0186-B075#7000	SVMTR AM30/3000HV A64	\$4,594
A06B-0186-B275#7000	SV MTR AM30B/3000HV STSFT w/BR ABS6	\$5,821
A06B-0186-B577#7000	SVMTR M30HV/2K TP 64KABS	\$4,397
A06B-0189-B075#7000	SVMTR AM40HV/3K ST A64	\$7,707
A06B-0189-B275#7000	SVMTR AM40HV/3K ST A64 BRK	\$8,825
A06B-0202-B201#0100	SVMTR A11/5000 1MABS ST KY	\$1,348
A06B-0202-B200#0100	SVMTR A11/5000 1MABS ST KY IP67	\$2,070
A06B-0202-B201	SVMTR A11/5000 1MINC ST KY	\$1,144
A06B-0202-B201#0100	SVMTR A11/5000 1MINC ST KY IP67	\$1,867
A06B-0202-B202	SVMTR A11/5K 16MABS ST KY	\$1,509
A06B-0202-B202#0100	SVMTR A11/5K 16MABS ST KY IP67	\$2,231
A06B-0202-B500	SVMTR A11/5000 1MABS ST KY BK	\$2,568
A06B-0202-B500#0100	SVMTR A11/5000 1MABS ST KY BK IP67	\$3,290
A06B-0202-B501	SVMTR A11/5000 1MINC ST KY BK	\$2,365
A06B-0202-B501#0100	SVMTR A11/5000 1MINC ST KY BK IP67	\$3,087
A06B-0202-B502	SVMTR A11/5K 16MABS ST KY BK	\$2,728
A06B-0202-B502#0100	SVMTR A11/5K 16MABS ST KY BK IP67	\$3,451
A06B-0205-B000	SVMTR A2/5000I 1MABS TP	\$1,372
A06B-0205-B001	SVMTR A2/5000I 1MINC TP	\$1,169
A06B-0205-B100	A2I	\$1,372
A06B-0205-B200	SVMTR A2I/5000 1MABS ST KY	\$1,372
A06B-0205-B200#0100	SVMTR A2I/5000 1MABS ST KY IP67	\$2,094
A06B-0205-B201	SVMTR A2I/5000 1MINC ST KY	\$1,169
A06B-0205-B201#0100	SVMTR A2I/5000 1MINC ST KY IP67	\$1,891
A06B-0205-B202	SVMTR A2I/5K 16MABS ST KY	\$1,533
A06B-0205-B202#0100	SVMTR A2I/5K 16MABS ST KY IP67	\$2,255
A06B-0205-B300	SVMTR A2/5000I 1MABS TP BK	\$2,591
A06B-0205-B500	SVMTR A2I/5000 1MABS ST KY BK	\$2,591
A06B-0205-B500#0100	SVMTR A2I/5000 1MABS ST KY BK IP67	\$3,314
A06B-0205-B501	SVMTR A2I/5000 1MINC ST KY BK	\$2,389
A06B-0205-B501#0100	SVMTR A2I/5000 1MINC ST KY BK IP67	\$3,111
A06B-0205-B502	SVMTR A2I/5K 16MABS ST KY BK	\$2,752
A06B-0205-B502#0100	SVMTR A2I/5K 16MABS ST KY BK IP67	\$3,474
A06B-0212-B200	SVMTR a2/5000is ST/KY NBK 1MABS	\$1,372
A06B-0212-B200#0100	SVMTR a2/5000is ST/KY NBK 1MABS IP67	\$1,475
A06B-0212-B201	SVMTR A2/5000is 1MINC ST KY	\$1,320
A06B-0212-B201#0100	SVMTR A2/5000is 1MINC ST KY IP67	\$1,423
A06B-0212-B202	SVMTR A2/5000is 16MABS ST KY	\$1,501
A06B-0212-B202#0100	SVMTR A2/5000is 16MABS ST KY IP67	\$1,604
A06B-0212-B400	SVMTR A2/5000is 1MABS ST NKY BK	\$2,401
A06B-0212-B500	SVMTR a2/5000is ST/KY BK 1MABS	\$2,401
A06B-0212-B500#0100	SVMTR a2/5000is ST/KY BK 1MABS IP67	\$2,504
A06B-0212-B501	SVMTR A2/5000is 1MINC ST KY BK	\$2,349
A06B-0212-B501#0100	SVMTR A2/5000is 1MINC ST KY BK IP67	\$2,452
A06B-0212-B502	SVMTR A2/5000is 16MABS ST KY BK	\$2,530
A06B-0212-B502#0100	SVMTR A2/5000is 16MABS ST KY BK IP67	\$2,633
A06B-0213-B100	SVMTR A2/5000Hvis 1MABS ST	\$1,372
A06B-0213-B200	SVMTR a2/5000Hvis ST/KY NBK 1MABS	\$1,372
A06B-0213-B200#0100	SVMTR a2/5000Hvis ST/KY NBK 1MABS IP67	\$1,475
A06B-0213-B201	SVMTR A2/5000Hvis ST/KY 1MINC	\$1,320
A06B-0213-B400	SVMTR A2/5000Hvis 1MABS ST BK	\$2,401
A06B-0213-B500	SVMTR a2/5000Hvis ST/KY BK 1MABS	\$2,401
A06B-0213-B500#0100	SVMTR a2/5000Hvis ST/KY BK 1MABS IP67	\$2,504
A06B-0215-B200	SVMTR a4/5000is ST/KY NBK 1MABS	\$1,385
A06B-0215-B200#0100	SVMTR a4/5000is ST/KY NBK 1MABS IP67	\$1,488
A06B-0215-B201	SVMTR A4/5000is 1MINC ST KY	\$1,334
A06B-0215-B201#0100	SVMTR A4/5000is 1MINC ST KY IP67	\$1,437
A06B-0215-B202	SVMTR A4/5000is 16MABS ST KY	\$1,514
A06B-0215-B202#0100	SVMTR A4/5000is 16MABS ST KY IP67	\$1,617
A06B-0215-B400	SVMTR A4/5000is 1MABS ST/NKY BRK	\$2,414
A06B-0215-B500	SVMTR a4/5000is ST/KY BK 1MABS	\$2,414
A06B-0215-B500#0100	SVMTR a4/5000is ST/KY BK 1MABS IP67	\$2,517
A06B-0215-B501	SVMTR A4/5000is 1MINC ST KY BK	\$2,363
A06B-0215-B501#0100	SVMTR A4/5000is 1MINC ST KY BK IP67	\$2,466
A06B-0215-B502	SVMTR A4/5000is 16MABS ST KY BK	\$2,543
A06B-0215-B502#0100	SVMTR A4/5000is 16MABS ST KY BK IP67	\$2,646
A06B-0216-B100	SVMTR A4/5000Hvis 1MABS ST NKY	\$1,385
A06B-0216-B100#0100	SVMTR AMHVI 3/5K 1MABS ST IP67	\$1,488
A06B-0216-B200	SVMTR a4/5000Hvis ST/KY NBK 1MABS	\$1,385
A06B-0216-B200#0100	SVMTR a4/5000Hvis ST/KY NBK 1MABS IP67	\$1,488
A06B-0216-B400#0100	SVMTR AMHVI 3/5K 1MABS ST BRK ip67	\$2,517
A06B-0216-B500	SVMTR A4/5000Hvis ST/KY 1MABS BK	\$2,414
A06B-0216-B500#0100	SVMTR A4/5000Hvis ST/KY 1MABS BK IP67	\$2,517
A06B-0221-B100	SVMTR AC4I/3000 1MABS ST	\$1,049
A06B-0221-B200	SVMTR AC4I/3000 1MABS ST KY	\$1,049
A06B-0221-B200#0100	SVMTR AC4I/3000 1MABS ST KY IP67	\$1,771
A06B-0221-B201	SVMTR AC4I/3000 1MINC ST KY	\$846
A06B-0221-B201#0100	SVMTR AC4I/3000 1MINC ST KY IP67	\$1,568
A06B-0221-B500	SVMTR AC4I/3000 1MABS ST KY BK	\$2,268
A06B-0221-B500#0100	SVMTR AC4I/3000 1MABS ST KY BK IP67	\$2,990

RENEWAL PARTS  
PRICING

D-27



# A06B-0221-B501

Part Number	Description	Price
A06B-0221-B501	SVMTR AC41/3000 1MINC ST KY BK	\$2,065
A06B-0221-B501#0100	SVMTR AC41/3000 1MINC ST KY BK IP67	\$2,787
A06B-0221-K051	REAR FAN UNIT FOR A4i SIZE	\$353
A06B-0223-B000	SVMTR A4i/4000 1MABS TP	\$1,449
A06B-0223-B001	SVMTR A4i/4000 1MINC TP	\$1,246
A06B-0223-B200	SVMTR A4i/4000 1MABS ST KY	\$1,449
A06B-0223-B200#0100	SVMTR A4i/4000 1MABS ST KY IP67	\$2,172
A06B-0223-B201	SVMTR A4i/4000 1MINC ST KY	\$1,246
A06B-0223-B201#0100	SVMTR A4i/4000 1MINC ST KY IP67	\$1,968
A06B-0223-B202	SVMTR A4i/4K 16MABS ST KY	\$1,610
A06B-0223-B202#0100	SVMTR A4i/4K 16MABS ST KY IP67	\$2,332
A06B-0223-B500	SVMTR A4i/4000 1MABS ST KY BK	\$2,670
A06B-0223-B500#0100	SVMTR A4i/4000 1MABS ST KY BK IP67	\$3,392
A06B-0223-B501	SVMTR A4i/4000 1MINC ST KY BK	\$2,466
A06B-0223-B501#0100	SVMTR A4i/4000 1MINC ST KY BK IP67	\$3,188
A06B-0223-B502	SVMTR A4i/4K 16MABS ST KY BK	\$2,829
A06B-0223-B502#0100	SVMTR A4i/4K 16MABS ST KY BK IP67	\$3,551
A06B-0225-B000	SVMTR A4/4000HV 1MABS TP/KY	\$1,538
A06B-0225-B100	SVMTR A4/4000HV 1MABS ST NKY	\$1,538
A06B-0225-B500#0100	SVMTR A4/4000HV 1MABS ST KY BK IP67	\$3,479
A06B-0226-B001	SVMTR AC81/2000 1MINC TP KY	\$971
A06B-0226-B100	SVMTR AC81/2000 1MABS ST NKY	\$1,174
A06B-0226-B200	SVMTR AC81/2000 1MABS ST KY	\$1,174
A06B-0226-B200#0100	SVMTR AC81/2000 1MABS ST KY IP67	\$1,896
A06B-0226-B201	SVMTR AC81/2000 1MINC ST KY	\$971
A06B-0226-B201#0100	SVMTR AC81/2000 1MINC ST KY IP67	\$1,693
A06B-0226-B400	SVMTR AC81/2000 1MABS ST BK	\$2,394
A06B-0226-B500	SVMTR AC81/2000 1MABS ST KY BK	\$2,394
A06B-0226-B500#0100	SVMTR AC81/2000 1MABS ST KY BK IP67	\$3,116
A06B-0226-B501	SVMTR AC81/2000 1MINC ST KY BK	\$2,913
A06B-0226-B501#0100	SVMTR AC81/2000 1MINC ST KY BK IP67	\$2,191
A06B-0227-B000	SVMTR A8i/3000 1MABS TP KY	\$2,109
A06B-0227-B001	SVMTR A8i/3000 1MINC TP KY	\$1,372
A06B-0227-B100	SVMTR A8i/3000 1MABS ST NKY	\$2,109
A06B-0227-B200	SVMTR A8i/3000 1MABS ST KY	\$1,575
A06B-0227-B200#0100	SVMTR A8i/3000 1MABS ST KY IP67	\$2,298
A06B-0227-B200#0300	SVMTR A8i/3000 1MABS ST KY IP67 RUN	\$2,511
A06B-0227-B201	SVMTR A8i/3000 1MINC ST KY	\$1,372
A06B-0227-B201#0100	SVMTR A8i/3000 1MINC ST KY IP67	\$2,094
A06B-0227-B202	SVMTR A8i/3K 16MABS ST KY	\$1,736
A06B-0227-B202#0100	SVMTR A8i/3K 16MABS ST KY IP67	\$2,458
A06B-0227-B301	SVMTR A8i/3000 1MINC TP KY BRK	\$2,591
A06B-0227-B500	SVMTR A8i/3000 1MABS ST KY BK	\$2,795
A06B-0227-B500#0100	SVMTR A8i/3000 1MABS ST KY BK IP67	\$3,517
A06B-0227-B500#0300	SVMTR A8i/3000 1MABS ST KY BK IP67R	\$3,731
A06B-0227-B501	SVMTR A8i/3000 1MINC ST KY BK	\$2,591
A06B-0227-B501#0100	SVMTR A8i/3000 1MINC ST KY BK IP67	\$3,314
A06B-0227-B502	SVMTR A8i/3K 16MABS ST KY BK	\$2,955
A06B-0227-B502#0100	SVMTR A8i/3K 16MABS ST KY BK IP67	\$3,678
A06B-0229-B000	SVMTR A8/3000HV 1MABS TP/KY	\$1,667
A06B-0229-B100	SVMTR A8/3000HV 1MABS ST	\$1,667
A06B-0229-B100#0100	SVMTR A8/3000HV 1MABS ST IP67	\$2,889
A06B-0229-B200	SVMTR A8/3000HV 1MABS ST KY	\$1,667
A06B-0229-B200#0100	SVMTR A8/3000HV 1MABS ST KY IP67	\$2,389
A06B-0235-B000	SVMTR A8/4000is 1MABS TP KY	\$1,472
A06B-0235-B002	SVMTR A8/4000is TP 16MABS	\$1,601
A06B-0235-B100	SVMTR A8/4000is 1MABS STR	\$1,472
A06B-0235-B200	SVMTR a8/4000is ST/KY NBK 1MABS	\$1,472
A06B-0235-B200#0100	SVMTR a8/4000is ST/KY NBK 1MABS IP67	\$1,575
A06B-0235-B201	SVMTR A8/4000is 1MINC ST KY	\$1,420
A06B-0235-B201#0100	SVMTR A8/4000is 1MINC ST KY IP67	\$1,523
A06B-0235-B202	SVMTR A8/4000is 16MABS ST KY	\$1,601
A06B-0235-B202#0100	SVMTR A8/4000is 16MABS ST KY IP67	\$1,704
A06B-0235-B300	SVMTR A8/4000is 1MABS TP KY BRK	\$2,501
A06B-0235-B500	SVMTR a8/4000is ST/KY BK 1MABS	\$2,501
A06B-0235-B500#0100	SVMTR a8/4000is ST/KY BK 1MABS IP67	\$2,604
A06B-0235-B501	SVMTR A8/4000is 1MINC ST KY BK	\$2,449
A06B-0235-B501#0100	SVMTR A8/4000is 1MINC ST KY BK IP67	\$2,552
A06B-0235-B502	SVMTR A8/4000is 16MABS ST KY BK	\$2,630
A06B-0235-B502#0100	SVMTR A8/4000is 16MABS ST KY BK IP67	\$2,733
A06B-0236-B000	SVMTR a8/4000HVis TP/KY NBK 1MABS	\$1,472
A06B-0236-B100	SVMTR A8/4000HVis 1MABS ST NKY	\$1,472
A06B-0236-B100#0100	SVMTR A8/4000HVis 1MABS ST NKY IP67	\$1,575
A06B-0236-B102#0100	SVMTR A8/4000HVIS ST 16MM IP67	\$1,704
A06B-0236-B200	SVMTR a8/4000HVis ST/KY NBK 1MABS	\$1,472
A06B-0236-B200#0100	SVMTR a8/4000HVis ST/KY NBK 1MABS IP67	\$1,575
A06B-0236-B201#0100	SVMTR A8/4000HVis ST/KY 1MINC IP67	\$1,523
A06B-0236-B202#0100	SVMTR A8/4000HVis ST/KY 16MABS IP67	\$1,704
A06B-0236-B400	SVMTR A8/4000HVis 1MABS ST NKY BK	\$2,501
A06B-0236-B400#0100	SVMTR A8/4000HVIS ST/NKY 1MABS IP67	\$2,604
A06B-0236-B500	SVMTR a8/4000HVis ST/KY BK 1MABS	\$2,501
A06B-0236-B500#0100	SVMTR a8/4000HVIS ST/KY BK 1MABS IP67	\$2,604
A06B-0238-B100	SVMTR A12/4000is 1MABS ST	\$2,107
A06B-0238-B200	SVMTR a12/4000is ST/KY NBK 1MABS	\$2,107

Part Number	Description	Price
A06B-0238-B200#0100	SVMTR a12/4000is ST/KY NBK 1MABS IP67	\$2,210
A06B-0238-B201	SVMTR A12/4000is 1MINC ST KY	\$2,056
A06B-0238-B201#0100	SVMTR A12/4000is 1MINC ST KY IP67	\$2,159
A06B-0238-B202	SVMTR A12/4000is 16MABS ST KY	\$2,236
A06B-0238-B202#0100	SVMTR A12/4000is 16MABS ST KY IP67	\$2,339
A06B-0238-B500	SVMTR a12/4000is ST/KY BK 1MABS	\$3,136
A06B-0238-B500#0100	SVMTR a12/4000is ST/KY BK 1MABS IP67	\$3,239
A06B-0238-B501	SVMTR A12/4000is 1MINC ST KY BK	\$3,085
A06B-0238-B501#0100	SVMTR A12/4000is 1MINC ST KY BK IP67	\$3,188
A06B-0238-B502	SVMTR A12/4000is 16MABS ST KY BK	\$3,265
A06B-0238-B502#0100	SVMTR A12/4000is 16MABS ST KY BK IP67	\$3,368
A06B-0239-B100	SVMTR A12/4000HVis 1MABS ST NKY	\$2,107
A06B-0239-B101	SVMTR A12/4000HVis 1MINC ST	\$2,056
A06B-0239-B102#0100	SVMTR A12/4000HVIS ST 16MM IP67	\$2,339
A06B-0239-B200	SVMTR a12/4000HVis ST/KY NBK 1MABS	\$2,107
A06B-0239-B200#0100	SVMTR a12/4000HVIS ST/KY NBK 1MABS IP67	\$2,210
A06B-0239-B201#0100	SVMTR A12/4000HVIS ST/KY 1MINC IP67	\$2,159
A06B-0239-B202#0100	SVMTR A12/4000HVIS ST/KY 16MABS IP67	\$2,339
A06B-0239-B300#0100	SVMTR A12/4000HVIS TP 1MABS BK IP67	\$3,239
A06B-0239-B400	SVMTR A12/4000HVIS 1MABS ST NKY BK	\$3,136
A06B-0239-B500	SVMTR a12/4000HVIS ST/KY BK 1MABS	\$3,136
A06B-0239-B500#0100	SVMTR a12/4000HVIS ST/KY BK 1MABS IP67	\$3,239
A06B-0241-B101	SVMTR AC121/2000 1MINC ST NKY	\$1,709
A06B-0241-B200	SVMTR AC121/2000 1MABS ST KY	\$1,913
A06B-0241-B200#0100	SVMTR AC121/2000 1MABS ST KY IP67	\$2,635
A06B-0241-B201	SVMTR AC121/2000 1MINC ST KY	\$1,709
A06B-0241-B201#0100	SVMTR AC121/2000 1MINC ST KY IP67	\$2,431
A06B-0241-B500	SVMTR AC121/2000 1MABS ST KY BK	\$3,132
A06B-0241-B500#0100	SVMTR AC121/2000 1MABS ST KY BK IP67	\$3,854
A06B-0241-B501	SVMTR AC121/2000 1MINC ST KY BK	\$2,928
A06B-0241-B501#0100	SVMTR AC121/2000 1MINC ST KY BK IP67	\$3,651
A06B-0241-K051	FAN UNIT FOR A12i-A22i & AM22i-AM40	\$353
A06B-0241-K053	FAN UNIT FOR A30i-A40i	\$353
A06B-0241-B000	SVMTR A121/3000 1MABS TP KY	\$2,313
A06B-0243-B100	SVMTR A12/3000i 1MABS ST	\$2,313
A06B-0243-B101	SVMTR A121/3000 1MINC ST NKY	\$2,110
A06B-0243-B200	SVMTR A121/3000 1MABS ST KY	\$2,313
A06B-0243-B200#0100	SVMTR A121/3000 1MABS ST KY IP67	\$3,035
A06B-0243-B201	SVMTR A121/3000 1MINC ST KY	\$2,110
A06B-0243-B201#0100	SVMTR A121/3000 1MINC ST KY IP67	\$2,833
A06B-0243-B202	SVMTR A121/3K 16MABS ST KY	\$2,474
A06B-0243-B202#0100	SVMTR A121/3K 16MABS ST KY IP67	\$3,196
A06B-0243-B400	SVMTR A121/3000 1MABS ST NKY BK	\$3,533
A06B-0243-B401	SVMTR A121/3000 1MINC ST NKY BK	\$3,330
A06B-0243-B500	SVMTR A121/3000 1MABS ST KY BK	\$3,533
A06B-0243-B500#0100	SVMTR A121/3000 1MABS ST KY BK IP67	\$4,255
A06B-0243-B501	SVMTR A121/3000 1MINC ST KY BK	\$3,330
A06B-0243-B501#0100	SVMTR A121/3000 1MINC ST KY BK IP67	\$4,052
A06B-0243-B502	SVMTR A121/3K 16MABS ST KY BK	\$3,694
A06B-0243-B502#0100	SVMTR A121/3K 16MABS ST KY BK IP67	\$4,416
A06B-0245-B100	SVMTR A12/3000HV 1MABS ST NKY	\$2,474
A06B-0245-B100#0100	SVMTR A12/3000HV 1MABS ST IP67	\$3,196
A06B-0245-B101	SVMTR A12/3000HV 1MINC ST NKY	\$2,264
A06B-0245-B200	SVMTR A12/3000HV 1MABS ST KY	\$2,474
A06B-0245-B200#0100	SVMTR A12/3000HV 1MABS ST KY IP67	\$3,196
A06B-0245-B400	SVMTR A12/3000HV 1MABS ST BRK	\$3,694
A06B-0245-B400#0100	SVMTR A12/3000HV 1MABS ST BRK IP67	\$4,416
A06B-0245-B401	SVMTR A12/3000HV 1MINC ST BK	\$3,484
A06B-0245-B500	SVMTR A12/3000HV 1MABS ST KY BK	\$3,694
A06B-0245-B500#0100	SVMTR A12/3000HV 1MABS ST KY BK IP67	\$4,416
A06B-0246-B101	SVMTR AC221/2000 1MABS ST NKY	\$2,241
A06B-0246-B200	SVMTR AC221/2000 1MABS ST KY	\$2,444
A06B-0246-B200#0100	SVMTR AC221/2000 1MABS ST KY IP67	\$3,167
A06B-0246-B201	SVMTR AC221/2000 1MINC ST KY	\$2,241
A06B-0246-B201#0100	SVMTR AC221/2000 1MINC ST KY IP67	\$2,963
A06B-0246-B500	SVMTR AC221/2000 1MABS ST KY BK	\$3,665
A06B-0246-B500#0100	SVMTR AC221/2000 1MABS ST KY BK IP67	\$4,387
A06B-0246-B501	SVMTR AC221/2000 1MINC ST KY BK	\$3,461
A06B-0246-B501#0100	SVMTR AC221/2000 1MINC ST KY BK IP67	\$4,183
A06B-0247-B101	SVMTR A221/3000 1MINC ST NKY	\$3,253
A06B-0247-B200	SVMTR A221/3000 1MABS ST KY	\$3,456
A06B-0247-B200#0100	SVMTR A221/3000 1MABS ST KY IP67	\$4,178
A06B-0247-B201	SVMTR A221/3000 1MINC ST KY	\$3,253
A06B-0247-B201#0100	SVMTR A221/3000 1MINC ST KY IP67	\$3,975
A06B-0247-B202	SVMTR A221/3K 16MABS ST KY	\$3,616
A06B-0247-B202#0100	SVMTR A221/3K 16MABS ST KY IP67	\$4,338
A06B-0247-B400	SVMTR A221/3000 1MABS ST NKY BK	\$4,675
A06B-0247-B500	SVMTR A221/3000 1MABS ST KY BK	\$4,675
A06B-0247-B500#0100	SVMTR A221/3000 1MABS ST KY BK IP67	\$5,397
A06B-0247-B501	SVMTR A221/3000 1MINC ST KY BK	\$4,472
A06B-0247-B501#0100	SVMTR A221/3000 1MINC ST KY BK IP67	\$5,194
A06B-0247-B502	SVMTR A221/3K 16MABS ST KY BK	\$4,836
A06B-0247-B502#0100	SVMTR A221/3K 16MABS ST KY BK IP67	\$5,558
A06B-0249-B100	SVMTR A22/3000HV 1MABS ST NKY	\$3,115

RENEWAL PARTS  
PRICING

D-28





Part Number	Description	Price
A06B-0249-B200#0100	SVMTR A22/3000HVI 1MABS ST KY IP67	\$4,383
A06B-0249-B500	SVMTR A22/3000HVI 1MABS ST KY BK	\$4,880
A06B-0249-B500#0100	SVMTR A22/3000HVI 1MABS ST KY BK IP	\$5,602
A06B-0251-B200	SVMTR AC30I/1500 1MABS ST KY	\$4,469
A06B-0251-B200#0100	SVMTR AC30I/1500 1MABS ST KY IP67	\$4,572
A06B-0251-B201	SVMTR AC30I/1500 1MINS ST KY	\$4,269
A06B-0251-B201#0100	SVMTR AC30I/1500 1MINS ST KY IP67	\$4,372
A06B-0251-B500	SVMTR AC30I/1500 1MABS ST KY BK	\$5,498
A06B-0251-B500#0100	SVMTR AC30I/1500 1MABS ST KY BK IP6	\$5,601
A06B-0251-B501	SVMTR AC30I/1500 1MINS ST KY BK	\$5,298
A06B-0251-B501#0100	SVMTR AC30I/1500 1MINS ST KY BK IP6	\$5,401
A06B-0253-B200	SVMTR A30I/3000 1MABS ST KY	\$4,065
A06B-0253-B200#0100	SVMTR A30I/3000 1MABS ST KY IP67	\$4,787
A06B-0253-B201	SVMTR A30I/3000 1MINS ST KY	\$3,863
A06B-0253-B201#0100	SVMTR A30I/3000 1MINS ST KY IP67	\$4,585
A06B-0253-B202	SVMTR A30I/3K 16MABS ST KY	\$4,226
A06B-0253-B202#0100	SVMTR A30I/3K 16MABS ST KY IP67	\$4,948
A06B-0253-B500	SVMTR A30I/3000 1MABS ST KY BK	\$5,285
A06B-0253-B500#0100	SVMTR A30I/3000 1MABS ST KY BK IP67	\$6,007
A06B-0253-B501	SVMTR A30I/3000 1MINS ST KY BK	\$5,082
A06B-0253-B501#0100	SVMTR A30I/3000 1MINS ST KY BK IP67	\$5,804
A06B-0253-B502	SVMTR A30I/3K 16MABS ST KY BK	\$5,446
A06B-0253-B502#0100	SVMTR A30I/3K 16MABS ST KY BK IP67	\$6,168
A06B-0257-B101	SVMTR A40I/3000 1MINS ST NKY	\$5,285
A06B-0257-B200	SVMTR A40I/3000 1MABS ST KY	\$5,489
A06B-0257-B200#0100	SVMTR A40I/3000 1MABS ST KY IP67	\$6,211
A06B-0257-B201	SVMTR A40I/3000 1MINS ST KY	\$5,285
A06B-0257-B201#0100	SVMTR A40I/3000 1MINS ST KY IP67	\$6,007
A06B-0257-B202	SVMTR A40I/3K 16MABS ST KY	\$5,649
A06B-0257-B202#0100	SVMTR A40I/3K 16MABS ST KY IP67	\$6,371
A06B-0257-B210	SVMTR A40I/3000 1MABS ST KY FAN	\$6,325
A06B-0257-B210#0100	SVMTR A40I/3000 1MABS ST KY FAN IP6	\$7,047
A06B-0257-B211	SVMTR A40I/3000 1MINS ST KY FAN	\$6,122
A06B-0257-B211#0100	SVMTR A40I/3000 1MINS ST KY FAN IP6	\$6,844
A06B-0257-B212	SVMTR A40I/3K 16MABS ST KY FAN	\$6,486
A06B-0257-B212#0100	SVMTR A40I/3K 16MABS ST KY FAN IP6	\$7,208
A06B-0257-B500	SVMTR A40I/3000 1MABS ST KY BK	\$6,708
A06B-0257-B500#0100	SVMTR A40I/3000 1MABS ST KY BK IP67	\$7,430
A06B-0257-B501	SVMTR A40I/3000 1MINS ST KY BK	\$6,504
A06B-0257-B501#0100	SVMTR A40I/3000 1MINS ST KY BK IP67	\$7,226
A06B-0257-B502	SVMTR A40I/3K 16MABS ST KY BK	\$6,868
A06B-0257-B502#0100	SVMTR A40I/3K 16MABS ST KY BK IP67	\$7,591
A06B-0257-B510	SVMTR A40I/3000 1MABS ST KY BK FAN	\$7,545
A06B-0257-B510#0100	SVMTR A40I/3000 1MABS ST KY BK FAN	\$8,268
A06B-0257-B511	SVMTR A40I/3000 1MINS ST KY BK FAN	\$7,342
A06B-0257-B511#0100	SVMTR A40I/3000 1MINS ST KY BK FAN	\$8,064
A06B-0257-B512	SVMTR A40I/3K 16MABS ST KY BK FAN	\$7,705
A06B-0257-B512#0100	SVMTR A40I/3K 16MABS ST KY BK FAN	\$8,427
A06B-0265-B200	SVMTR a22/4000is ST/KY NBK 1MABS	\$2,828
A06B-0265-B200#0100	SVMTR a22/4000is ST/KY NBK 1MABS IP67	\$2,931
A06B-0265-B201	SVMTR AM22I/4000 1MINS ST KY	\$2,777
A06B-0265-B201#0100	SVMTR AM22I/4000 1MINS ST KY IP67	\$2,880
A06B-0265-B202	SVMTR AM22I/4K 16MABS ST KY	\$2,957
A06B-0265-B202#0100	SVMTR AM22I/4K 16MABS ST KY IP67	\$3,060
A06B-0265-B400	SVMTR A22/4000I 1MABS ST KY	\$3,857
A06B-0265-B500	SVMTR a22/4000is ST/KY BK 1MABS	\$3,857
A06B-0265-B500#0100	SVMTR a22/4000is ST/KY BK 1MABS IP67	\$3,960
A06B-0265-B501	SVMTR AM22I/4000 1MINS ST KY BK	\$3,806
A06B-0265-B501#0100	SVMTR AM22I/4000 1MINS ST KY BK IP6	\$3,909
A06B-0265-B502	SVMTR AM22I/4K 16MABS ST KY BK	\$3,986
A06B-0265-B502#0100	SVMTR AM22I/4K 16MABS ST KY BK IP6	\$4,089
A06B-0266-B000	SVMTR AM22/4000HVI 1MABS TPR	\$2,828
A06B-0266-B100	SVMTR AM22/4000HVI 1MABS STR	\$2,828
A06B-0266-B100#0100	SVMTR AM22/4000HVI 1MABS STR IP67	\$2,931
A06B-0266-B102#0100	SVMTR A22/4000HVIS ST 16MM IP67	\$3,060
A06B-0266-B200	SVMTR a22/4000HVIS ST/KY NBK 1MABS	\$2,828
A06B-0266-B200#0100	SVMTR a22/4000HVIS ST/KY NBK 1MABS IP67	\$2,931
A06B-0266-B201#0100	SVMTR AM22/4000HVI ST/KY 1MINS IP67	\$2,880
A06B-0266-B202#0100	SVMTR A22/4000HVIS ST/KY 16MABS IP67	\$3,060
A06B-0266-B400	SVMTR AM22/4000HVI 1MABS STR BRK	\$3,857
A06B-0266-B400#0100	SVMTR AM22/4000HVI 1MABS STR BRK IP67	\$3,960
A06B-0266-B500	SVMTR a22/4000HVIS ST/KY BK 1MABS	\$3,857
A06B-0266-B500#0100	SVMTR a22/4000HVIS ST/KY BK 1MABS IP67	\$3,960
A06B-0266-B501	SVMTR AM22/4000HVI ST/KY 1MINS BK	\$3,806
A06B-0268-B200	SVMTR a30/4000is ST/KY NBK 1MABS	\$3,559
A06B-0268-B200#0100	SVMTR a30/4000is ST/KY NBK 1MABS IP67	\$3,662
A06B-0268-B201	SVMTR AM30I/4000 1MINS ST KY	\$3,507
A06B-0268-B201#0100	SVMTR AM30I/4000 1MINS ST KY IP67	\$3,610
A06B-0268-B202	SVMTR AM30I/4K 16MABS ST KY	\$3,687
A06B-0268-B202#0100	SVMTR AM30I/4K 16MABS ST KY IP67	\$3,790
A06B-0268-B500	SVMTR a30/4000is ST/KY BK 1MABS	\$4,588
A06B-0268-B500#0100	SVMTR a30/4000is ST/KY BK 1MABS IP67	\$4,691
A06B-0268-B501	SVMTR AM30I/4000 1MINS ST KY BK	\$4,536
A06B-0268-B501#0100	SVMTR AM30I/4000 1MINS ST KY BK IP6	\$4,639

Part Number	Description	Price
A06B-0268-B502	SVMTR AM30I/4K 16MABS ST KY BK	\$4,716
A06B-0268-B502#0100	SVMTR AM30I/4K 16MABS ST KY BK IP6	\$4,819
A06B-0269-B100	SVMTR AM30/4000HVI 1MABS STR	\$3,559
A06B-0269-B200	SVMTR a30/4000HVIS ST/KY NBK 1MABS	\$3,559
A06B-0269-B200#0100	SVMTR a30/4000HVIS ST/KY NBK 1MABS IP67	\$3,662
A06B-0269-B400	SVMTR AM30/4000HVI 1MABS ST/NKY BRK	\$4,588
A06B-0269-B500	SVMTR a30/4000HVIS ST/KY BK 1MABS	\$4,588
A06B-0269-B500#0100	SVMTR a30/4000HVIS ST/KY BK 1MABS IP67	\$4,691
A06B-0269-B501	SVMTR AM30/4000HVI ST/KY 1MINS BK	\$4,536
A06B-0272-B200	SVMTR a40/4000is ST/KY NBK 1MABS	\$4,573
A06B-0272-B200#0100	SVMTR a40/4000is ST/KY NBK 1MABS IP67	\$4,676
A06B-0272-B201	SVMTR AM40I/4000 1MINS ST KY	\$4,522
A06B-0272-B201#0100	SVMTR AM40I/4000 1MINS ST KY IP67	\$4,625
A06B-0272-B202	SVMTR AM40I/4K 16MABS ST KY	\$4,702
A06B-0272-B202#0100	SVMTR AM40I/4K 16MABS ST KY IP67	\$4,805
A06B-0272-B500	SVMTR a40/4000is ST/KY BK 1MABS	\$5,602
A06B-0272-B500#0100	SVMTR a40/4000is ST/KY BK 1MABS IP67	\$5,705
A06B-0272-B501	SVMTR AM40I/4000 1MINS ST KY BK	\$5,551
A06B-0272-B501#0100	SVMTR AM40I/4000 1MINS ST KY BK IP6	\$5,654
A06B-0272-B502	SVMTR AM40I/4K 16MABS ST KY BK	\$5,731
A06B-0272-B502#0100	SVMTR AM40I/4K 16MABS ST KY BK IP6	\$5,834
A06B-0272-B000	SVMTR AM40/4000HVI 1MABS TPR	\$4,573
A06B-0272-B000#0100	SVMTR AM40/4000HVI TP 1MABS IP67	\$4,676
A06B-0272-B001#0100	SVMTR AM40/4000HVI TP 1MINS IP67	\$4,625
A06B-0272-B100	SVMTR A40/4000HVIS 1MABS ST/NK	\$4,573
A06B-0272-B100#0100	SVMTR A40/4000HVI ST/NKY 1MABS IP6	\$4,676
A06B-0272-B200	SVMTR a40/4000HVIS ST/KY NBK 1MABS	\$4,573
A06B-0272-B200#0100	SVMTR a40/4000HVIS ST/KY NBK 1MABS IP67	\$4,676
A06B-0272-B201	SVMTR AM40/4000HVI ST/KY 1MINS	\$4,522
A06B-0272-B300#0100	SVMTR AM40/4000HVI TP 1MABS BK IP67	\$5,705
A06B-0272-B301#0100	SVMTR AM40/4000HVI TP 1MINS BK IP67	\$5,654
A06B-0272-B400	SVMTR AM40/4000HVI 1MABS ST NKY BK	\$5,602
A06B-0272-B500	SVMTR a40/4000HVIS ST/KY BK 1MABS	\$5,602
A06B-0272-B500#0100	SVMTR a40/4000HVIS ST/KY BK 1MABS IP67	\$5,705
A06B-0275-B100	SVMTR AM50/3000I 1MABS ST NKY	\$7,200
A06B-0275-B210	SVMTR A50/3000is 1MABS ST/KY FAN	\$7,970
A06B-0276-B000	SVMTR AM50/3000HVI TP 1MABS	\$7,200
A06B-0276-B000#0100	SVMTR A50/3000HVIS TP 1MABS	\$7,303
A06B-0276-B010	SVMTR A50/3000HVIS TP 1MABS FAN	\$7,970
A06B-0276-B100	SVMTR AM50/3000HVI 1MABS ST/NKY	\$7,200
A06B-0276-B200	SVMTR a50/3000HVIS ST/KY NBK 1MABS	\$7,200
A06B-0276-B200#0100	SVMTR a50/3000HVIS ST/KY NBK 1MABS IP67	\$7,303
A06B-0276-B210	SVMTR A50/3000HVIS ST/KY 1MABS FAN	\$7,970
A06B-0276-B400	SVMTR AM50/3000HVI 1MABS ST BK	\$8,229
A06B-0276-B500	SVMTR a50/3000HVIS ST/KY BK 1MABS	\$8,229
A06B-0276-B500#0100	SVMTR a50/3000HVIS ST/KY BK 1MABS IP67	\$8,332
A06B-0276-B501	SVMTR A50/3000HVIS ST/KY 1MINS BRK	\$8,177
A06B-0276-B510	SVMTR AMHVI 50/3K 1MABS ST/KY BRK F	\$8,999
A06B-0276-B510#0100	SVMTR A60/3000HVIS 1MABS ST/NK F	\$8,073
A06B-0286-B000	SVMTR AM100/2500HVI 1MABS TP	\$7,114
A06B-0286-B300	SVMTR A100/2500HVIS TP 1MABS BRK	\$9,682
A06B-0288-B000	SVMTR A200/2500is TP 1MABS	\$8,746
A06B-0288-B300	SVMTR AM200I/2.5K 1MABS TP BRK	\$11,314
A06B-0289-B000	SVMTR A200/2500HVIS TP 1MABS	\$8,853
A06B-0289-B300	SVMTR AM200/2500HVI TP 1MABS BK	\$11,421
A06B-0293-B010	SVMTR A300/2000HVIS TP 1MABS FAN	\$11,608
A06B-0295-B010	SVMTR A500/2000is TP 1MABS FAN	\$15,005
A06B-0296-B010	SVMTR A500/2000HVIS TP 1MABS FAN	\$15,112
A06B-0309-B001#7000	SVMTR 1-OS/3000 2KINC TP/K	\$1,586
A06B-0309-B002#7000	SVMTR 1-OS/3000 2.5KINC TP/K	\$1,586
A06B-0309-B003#7000	SVMTR 1-OS/3000 3KINC TP/K	\$1,586
A06B-0309-B031#7000	SVMTR 1-OS/3000 2KABS TP/K	\$2,138
A06B-0309-B032#7000	SVMTR 1-OS/3000 2.5KABS TP/K	\$2,138
A06B-0309-B064#7000	SVMTR 1-OS/3000 20KINC TP/K	\$2,138
A06B-0309-B066#7000	SVMTR 1-OS/3000 20KINC/HS TP/K	\$2,138
A06B-0309-B066#7008	SV MTR 1-OS	\$2,138
A06B-0309-B067#7000	SVMTR 1-OS/3000 25KINC/HS TP/K	\$2,138
A06B-0309-B067#7008	SV MTR 1-OS	\$2,138
A06B-0309-B068#7000	SVMTR 1-OS/3000 30KINC/HS TP/K	\$2,138
A06B-0309-B068#7008	SV MTR 1-OS	\$2,138
A06B-0309-B501#7000	SVMTR 1-OS/3000 2KINC ST	\$1,586
A06B-0309-B501#7008	SVMTR 1-OS/3000 2KINC ST/K	\$1,586
A06B-0309-B502#7008	SVMTR 1-OS/3000 2.5KINC ST/K	\$1,586
A06B-0309-B503#7008	SCMTR 1-OS/3000 3KINC ST/K	\$1,586
A06B-0309-B503#7074	SV MTR 1-OS/3000 3KINC ST/K	\$1,586
A06B-0309-B505#7074	SVMTR AC1-OS/3K 2.5K INC ST	\$1,501
A06B-0309-B561#7000	SVMTR 1-OS/3000 10KINC ST	\$2,138
A06B-0309-B561#7074	SVMTR 1-OS/3000 10KINC ST/K	\$2,138
A06B-0309-B565#7000	SVMTR 1-OS/3000 25KINC ST	\$2,138
A06B-0309-B565#7008	SVMTR 1-OS/3000 1MMABS/SR ST/K	\$2,138
A06B-0310-B001#7000	SVMTR 2-OS 2KINC TP/K	\$1,552
A06B-0310-B001#7065	SVMTR 2-OS 2KINC TP/K	\$1,474
A06B-0310-B002#7000	SVMTR 2-OS 2.5KINC TP/K	\$1,552
A06B-0310-B002#7065	SVMTR 2-OS 2.5KINC TP/K	\$1,474

RENEWAL PARTS  
PRICING

D-29

# A06B-0310-B003#7000

Part Number	Description	Price	Part Number	Description	Price
A06B-0310-B003#7000	SVMTR 2-OS 3KINC TP/K	\$1,552	A06B-0313-B064#7000	SVMTR OS 20KINC TP/K	\$2,241
A06B-0310-B031#7000	SVMTR 2-OS 2KABS TP/K	\$2,104	A06B-0313-B065#7000	SVMTR OS 25KINC TP/K	\$2,241
A06B-0310-B031#7065	SVMTR 2-OS 2KABS TP/K	\$2,104	A06B-0313-B066#7000	SVMTR OS 20KINC/HS TP/K	\$2,241
A06B-0310-B032#7000	SVMTR 2-OS 2.5KABS TP/K	\$2,104	A06B-0313-B066#7065	SVMTR OS 20KINC/HS TP/K	\$2,241
A06B-0310-B033#7000	SVMTR 2-OS 3KABS TP/K	\$2,104	A06B-0313-B068#7065	SVMTR OS 30KINC/HS TP/K	\$2,241
A06B-0310-B033#7065	SVMTR 2-OS 3KABS TP/K	\$2,621	A06B-0313-B072#7000	SVMTR OS 1MMABS TP/K	\$2,129
A06B-0310-B033#7075	SVMTR 2-OS 3KABS TP/K IP67	\$3,035	A06B-0313-B072#7062	SVMTR OS 1MMABS SPECIAL	\$2,121
A06B-0310-B064#7000	SVMTR 2-OS 20KINC TP/K	\$2,104	A06B-0313-B072#7075	SVMTR OS 1MMABS/SR TP/K SL67	\$3,173
A06B-0310-B065#7008	SV MTR 2-OS	\$2,104	A06B-0313-B074#7000	SVMTR OS 40KINC/SR TP/K	\$1,690
A06B-0310-B101#7000	SVMTR 2-OS 2KINC TP/K BRK	\$3,207	A06B-0313-B081#7000	SVMTR OS 10KINC TP/K	\$2,241
A06B-0310-B501#7000	SVMTR 2-OS 2KINC ST	\$1,552	A06B-0313-B104#7000	SVMTR OS 2KINC TP/K BRK	\$3,345
A06B-0310-B501#7008	SVMTR 2-OS 2KINC ST/K	\$1,552	A06B-0313-B105#7000	SVMTR OS 2.5KINC TP/K BRK	\$3,345
A06B-0310-B502#7000	SVMTR 2-OS 2.5KINC ST	\$1,552	A06B-0313-B106#7000	SVMTR OS 3KINC TP/K BRK	\$3,345
A06B-0310-B502#7008	SVMTR 2-OS 2.5KINC ST/K	\$1,474	A06B-0313-B141#7000	SVMTR OS 2KABS TP/K BRK	\$4,552
A06B-0310-B503#7000	SVMTR 2-OS 3KINC ST	\$1,552	A06B-0313-B172#7000	SVMTR OS 1MMABS TP/K	\$3,177
A06B-0310-B503#7008	SVMTR 2-OS 3KINC ST/K	\$1,552	A06B-0313-B174#7000	SVMTR OS 40KINC/SR TP/K BRK	\$3,345
A06B-0310-B531#7008	SVMTR 2-OS 2KABS ST/K	\$2,104	A06B-0313-B502#7008	OS SERVO MOTOR W/2.5K INC FB	\$1,690
A06B-0310-B561#7000	SVMTR 2-OS 10KINC ST	\$2,104	A06B-0313-B504#7000	SVMTR OS 2KINC ST	\$1,690
A06B-0310-B561#7008	SVMTR 2-OS 10KINC ST/K	\$2,104	A06B-0313-B504#7008	SVMTR OS 2KINC ST/K	\$1,690
A06B-0310-B565#7000	SVMTR 2-OS 25KINC ST	\$2,104	A06B-0313-B504#7076	SVMTR OS 2KINC ST/K SL67	\$2,621
A06B-0310-B565#7008	SVMTR 2-OS 25KINC ST/K	\$2,104	A06B-0313-B505#7000	SVMTR OS 2.5K INC ST	\$1,690
A06B-0310-B567#7008	SVMTR 2-OS 25KINC/HS ST/K	\$2,104	A06B-0313-B505#7008	SV MTR OS 2.5KINC ST KY	\$1,606
A06B-0310-B602#7074	SVMTR 2-OS 2.5KINC ST/K BRK	\$3,207	A06B-0313-B506#7000	SVMTR OS 3KINC ST	\$1,690
A06B-0311-B001#7000	MOTOR 2-OS	\$1,359	A06B-0313-B506#7008	SVMTR OS 3KINC ST/K	\$1,690
A06B-0311-B002#7000	AC MOTOR 2-0	\$1,359	A06B-0313-B506#7065	SVMTR OS 3KINC ST/K	\$1,690
A06B-0312-B001#7000	SVMTR 1-OS 2KINC TP/K	\$1,507	A06B-0313-B506#7075	SVMTR OS 3KINC ST/K SL67	\$2,621
A06B-0312-B002#7000	SVMTR 1-OS 2.5KINC TP/K	\$1,586	A06B-0313-B510#7008	SVMTR OS 10KINC ST/K	\$1,690
A06B-0312-B002#7065	SVMTR 1-OS 2.5KINC TP/K	\$1,586	A06B-0313-B510#7076	SVMTR OS 10KINC ST/KIP67	\$2,621
A06B-0312-B003#7000	SVMTR 1-OS 3KINC TP/K	\$1,586	A06B-0313-B532#7008	SVMTR OS 2.5KABS ST/K	\$2,241
A06B-0312-B003#7008	SV MTR 1-OS	\$1,586	A06B-0313-B542#7008	SVMTR OS 2.5KABS ST/K	\$2,241
A06B-0312-B003#7065	SVMTR 1-OS 3KINC TP/K	\$1,586	A06B-0313-B542#7076	SVMTR OS 2.5KABS ST/K SL67	\$3,173
A06B-0312-B031#7000	SVMTR 1-OS 2KABS TP/K	\$2,138	A06B-0313-B543#7008	SVMTR OS 3KABS ST/K	\$2,241
A06B-0312-B032#7000	SVMTR 1-OS 2.5KABS TP/K	\$2,138	A06B-0313-B564#7008	SVMTR OS 20KINC ST/K	\$2,241
A06B-0312-B033#7000	AC 1-0 ABS 3000P	\$2,138	A06B-0313-B565#7008	SVMTR OS 25KINC ST/K	\$2,241
A06B-0312-B061#7000	SVMTR 1-OS 10KINC TP/K	\$2,138	A06B-0313-B566#7008	SVMTR OS 20KINC/HS ST/K	\$2,241
A06B-0312-B062#7000	SVMTR 1-OS 12KINC TP/K	\$2,031	A06B-0313-B567#7008	SVMTR OS 25KINC/HS ST/K	\$2,241
A06B-0312-B062#7008	SV MTR 1-OS	\$2,138	A06B-0313-B567#7076	SVMTR OS 25KINC/HS ST/K SL67	\$3,173
A06B-0312-B064#7000	SVMTR 1-OS 20KINC TP/K	\$2,138	A06B-0313-B572#7000	SV MTR OS 1MMABS/SR ST	\$2,241
A06B-0312-B065#7000	SVMTR 1-OS 25KINC TP/K	\$2,138	A06B-0313-B572#7008	SVMTR OS 1MMABS/SR ST/K	\$2,241
A06B-0312-B068#7000	SERVO MOTOR	\$2,138	A06B-0313-B572#7076	SVMTR OS 1MMABS/SR ST/K SL67	\$3,173
A06B-0312-B068#7065	SVMTR 1-OS 30KINC/HS TP/K	\$2,138	A06B-0313-B574#7000	SVMTR OS 40KINC/SR ST	\$1,690
A06B-0312-B069#7000	SVMTR 1-OS 1MMABS/SR TP/K	\$2,138	A06B-0313-B574#7008	SVMTR OS 40KINC/SR ST/K	\$1,606
A06B-0312-B161#7000	SVMTR 1-OS 10KINC TP/K BRK	\$3,793	A06B-0313-B574#7076	AC MOTOR OS	\$2,621
A06B-0312-B164#7000	SVMTR 1-OS 20KINC TP/K BRK	\$3,793	A06B-0313-B581#7008	SVMTR OS 10KINC ST/K	\$2,241
A06B-0312-B501#7000	SVMTR 1-OS 2KINC ST	\$1,586	A06B-0313-B581#7075	SVMTR OS 10KINC ST SL67	\$3,173
A06B-0312-B501#7008	SVMTR 1-OS 2KINC ST/K	\$1,586	A06B-0313-B581#7076	SVMTR OS 10KINC ST/K SL67	\$3,173
A06B-0312-B501#7074	SVMTR 1-OS 2KINC ST/K	\$1,586	A06B-0313-B604#7008	SV MTR OS 2KINC ST KY BRK	\$3,345
A06B-0312-B501#7076	SVMTR 1-OS 2KINC ST/K SL67	\$1,586	A06B-0313-B605#7008	SVMTR OS 2.5KINC ST/K BRK	\$3,345
A06B-0312-B502#7008	SVMTR 1-OS 2.5KINC ST/K	\$1,586	A06B-0313-B606#7075	SVMTR OS 3KINC BRK IP67	\$709
A06B-0312-B502#7074	SVMTR 1-OS 2.5KINC ST/K	\$1,586	A06B-0313-B610#7008	SVMTR OS 10KINC ST/K BRK	\$3,345
A06B-0312-B503#7008	SVMTR 1-OS 3KINC ST/K	\$1,586	A06B-0313-B641#7008	SVMTR OS 2KABS ST/K BRK	\$3,217
A06B-0312-B503#7076	SVMTR 1-OS 3KINC ST/K IP67	\$2,518	A06B-0313-B642#7008	SVMTR OS 2.5KABS ST/K BRK	\$3,897
A06B-0312-B531#7008	SVMTR 1-OS 2KABS ST/K	\$2,138	A06B-0313-B664#7008	SVMTR OS 20KINC ST/K BRK	\$3,897
A06B-0312-B532#7008	SVMTR 1-OS 2.5KABS ST/K	\$2,138	A06B-0313-B666#7008	SVMTR OS 20KINC/HS ST/K BRK	\$3,897
A06B-0312-B533#7008	SVMTR 1-OS 3KABS ST/K	\$2,138	A06B-0313-B672#7000	SVMTR OS 1MMABS/SR ST BRK	\$3,897
A06B-0312-B542#7008	SVMTR 1-OS 2.5KABS ST/K	\$2,023	A06B-0313-B672#7008	SVMTR OS 1MMABS/SR ST/K BRK	\$3,897
A06B-0312-B562#7008	SVMTR 1-OS 12KINC ST/K	\$2,138	A06B-0313-B672#7076	SVMTR OS 1MMABS/SR ST/K BRK 67	\$4,828
A06B-0312-B564#7000	SVMTR 1-OS 20KINC ST	\$2,138	A06B-0313-B674#7000	SVMTR OS 40KINC/SR ST BRK	\$3,345
A06B-0312-B564#7008	SVMTR 1-OS 20KINC ST/K	\$2,138	A06B-0313-B674#7008	SVMTR OS 40KINC/SR ST/K BRK	\$3,345
A06B-0312-B564#7074	SVMTR 1-OS 20KINC ST/K	\$2,138	A06B-0313-B681#7008	SVMTR OS 10KINC ST/K BRK	\$3,897
A06B-0312-B565#7000	SVMTR 1-OS 25KINC ST	\$2,138	A06B-0313-B742#7076	SVMTR OS 2.5KABS ST/K BRK	\$4,828
A06B-0312-B565#7008	SVMTR 1-OS 25KINC ST/K	\$2,138	A06B-0313-B951#7008	SVMTR	\$2,241
A06B-0312-B568#7074	SVMTR 1-OS 30KINC/HS ST/K	\$2,138	A06B-0314-B002#1001	SV MTR 5S 2.5KINC SPC BAL	\$1,863
A06B-0312-B569#7000	SVMTR 1-OS 1MMABS/SR ST	\$2,138	A06B-0314-B004#7000	SVMTR 5S 2KINC TP	\$1,769
A06B-0312-B601#7008	SVMTR 1-OS 2KINC ST/K BRK	\$3,242	A06B-0314-B004#7065	SVMTR 5S 2KINC TP/K	\$1,863
A06B-0312-B632#7008	SVMTR 1-OS 2.5KABS ST/K BRK	\$3,793	A06B-0314-B004#7075	SVMTR 5S 2KINC TP/K SL67	\$2,654
A06B-0312-B633#7008	SVMTR 1-OS 3KABS ST/K BRK	\$3,793	A06B-0314-B005#7000	SVMTR 5S 2.5KINC TP KY	\$1,769
A06B-0313-B001#7000	SVMTR OS 2KINC TP/K	\$1,690	A06B-0314-B005#7065	SVMTR 5S 2.5KINC TP/K	\$1,863
A06B-0313-B001#7008	SVMTR OS 2KINC ST/K	\$1,690	A06B-0314-B005#7075	SVMTR 5S 2.5KINC TP/K SL67	\$2,793
A06B-0313-B001#7065	SVMTR OS 2KINC TP/K	\$1,690	A06B-0314-B005#7200	SVMTR 5S 2.5KINC SPC BALANCE	\$1,769
A06B-0313-B002#7000	SVMTR OS 2.5KINC TP/K	\$1,690	A06B-0314-B006#7000	SVMTR 5S 3KINC TP/K	\$1,769
A06B-0313-B002#7008	SVMTR OS 2.5KINC ST/K	\$1,690	A06B-0314-B006#7065	SVMTR 5S 3KINC TP/K	\$1,863
A06B-0313-B004#7000	SVMTR OS 2KINC TP/K	\$1,690	A06B-0314-B006#7075	SVMTR 5S 3KINC TP/K SL67	\$2,793
A06B-0313-B004#7065	SVMTR OS 2KINC TP/K	\$1,606	A06B-0314-B010#7000	SVMTR 5S 10KINC TP/K	\$1,769
A06B-0313-B005#7000	SVMTR OS 2.5KINC TP/K	\$1,690	A06B-0314-B041#7000	SVMTR 5S 2KABS TP/K	\$2,414
A06B-0313-B005#7065	SVMTR OS 2.5KINC TP/K	\$1,690	A06B-0314-B041#7075	SVMTR 5S 2KABS TP/KY IP67	\$3,345
A06B-0313-B005#7200	SVMTR OS 2.5KINC SPC BALANCE	\$1,606	A06B-0314-B042#7000	SVMTR 5S 2.5KABS TP/K	\$2,414
A06B-0313-B006#7000	SVMTR OS 3KINC TP KY	\$1,606	A06B-0314-B042#7075	SVMTR 5S 2.5KABS TP/K IP67	\$3,345
A06B-0313-B006#7065	SVMTR OS 3KINC TP/K	\$1,690	A06B-0314-B042#7200	AC MOTOR 5S ABS	\$2,293
A06B-0313-B010#7000	SVMTR OS 10KINC TP/K	\$1,690	A06B-0314-B043#7000	SVMTR 5S 3KABS TP/K	\$2,293
A06B-0313-B041#7000	SVMTR OS 2KABS TP/K	\$2,241	A06B-0314-B043#7075	SVMTR 5S 3KABS TP KY IP67	\$3,345
A06B-0313-B042#7000	SVMTR OS 2.5KABS TP/K	\$2,241	A06B-0314-B064#7000	SVMTR 5S 20KINC TP/K	\$2,414
A06B-0313-B043#7000	SVMTR OS 3KABS TP/K	\$2,241	A06B-0314-B065#7000	SVMTR 5S 25KINC TP/K	\$2,414
A06B-0313-B062#7000	SVMTR OS 12KINC TP/K	\$2,241	A06B-0314-B065#7008	SV MTR 5S 25KINC TPR	\$2,414

RENEWAL PARTS  
PRICING

D-30



FANUC CNC Parts

Part Number	Description	Price	Part Number	Description	Price
A06B-0314-B067#7000	SVMTR 5S 25KINC/HS TP/K	\$2,414	A06B-0315-B002#7000	SVMTR 10S 2.5KINC ST	\$2,507
A06B-0314-B071#7008	SVMTR 5S 40KINC ST/K	\$1,863	A06B-0315-B002#7008	AC MOTOR	\$2,507
A06B-0314-B072#7000	SVMTR 5S 1MMABS/SR TP/K	\$2,414	A06B-0315-B004#7000	SVMTR 10S 2KINC ST	\$2,507
A06B-0314-B072#7075	SVMTR 5S 1MMABS/SR TP/K SL67	\$3,177	A06B-0315-B004#7008	SVMTR 10S 2KINC ST KY	\$2,507
A06B-0314-B074#7000	SVMTR 5S 40KINC SR TP KY	\$1,769	A06B-0315-B004#7075	SVMTR 10S 2KINC ST/K IP67	\$3,073
A06B-0314-B074#7075	SVMTR 5S 40KINC/SR TP/K SL67	\$2,654	A06B-0315-B004#7076	SVMTR 10S 2KINC ST/K SL67	\$3,073
A06B-0314-B081#7000	SVMTR 5S 10KINC TP/K	\$2,414	A06B-0315-B004#7081	SV MTR 10S 2KINC ST/K 32MM	\$2,507
A06B-0314-B104#7000	SVMTR 5S 2KINC TP/K BRK	\$3,517	A06B-0315-B005#7000	SVMTR 10S 2.5KINC ST	\$2,507
A06B-0314-B105#7000	SVMTR 5S 2.5KINC TP/K BRK	\$3,342	A06B-0315-B005#7008	SVMTR 10S 2.5KINC ST/K	\$2,507
A06B-0314-B106#7000	SVMTR 5S 3KINC TP/K BRK	\$3,342	A06B-0315-B005#7075	SVMTR 10S 2.5KINC ST/K IP67	\$3,073
A06B-0314-B110#7000	SVMTR 5S 10KINC TP/K BRK	\$3,517	A06B-0315-B005#7076	SVMTR 10S 2.5KINC ST/K IP67	\$3,073
A06B-0314-B141#7000	SVMTR 5S 2KABS TP/K BRK	\$4,844	A06B-0315-B006#7000	SVMTR 10S 3KINC ST	\$2,507
A06B-0314-B141#7075	SVMTR 5S 2KABS TP KY BRK	\$5,063	A06B-0315-B006#7008	SVMTR 10S 3KINC ST/K	\$2,507
A06B-0314-B142#7075	SVMTR 5S 2.5KABS TP/K BRK SL67	\$5,063	A06B-0315-B006#7075	SVMTR 10S 3KINC ST/K SL67	\$3,073
A06B-0314-B143#7000	SVMTR 5S 3KABS TP/K BRK	\$5,103	A06B-0315-B006#7076	SVMTR 10S 3KINC ST/K SL67	\$3,073
A06B-0314-B172#7000	SVMTR 5S 1MMABS/SR TP/K BRK	\$4,848	A06B-0315-B010#7000	SVMTR 10S 10KINC ST	\$2,507
A06B-0314-B174#7000	SVMTR 10S/3000 40KINC SR	\$3,517	A06B-0315-B010#7008	SVMTR 10S 10KINC ST/K	\$2,507
A06B-0314-B202#7000	SVMTR 5S 2.5KINC TP/K BRK	\$2,707	A06B-0315-B041#7000	SVMTR 10S 2KABS ST	\$2,991
A06B-0314-B202#7008	SVMTR 5S 2.5KINC KY	\$3,517	A06B-0315-B041#7008	SVMTR 10S 2KABS ST/K	\$2,991
A06B-0314-B231#7200	SVMTR W HIGH PRECISION RUNOUT	\$4,070	A06B-0315-B041#7075	SVMTR 10S 2KABS ST/K SL67	\$3,465
A06B-0314-B262#7000	SVMTR 5S 12KINC TP/K BRK	\$4,070	A06B-0315-B041#7076	SVMTR 10S 2KABS ST/K SL67	\$3,465
A06B-0314-B264#7000	SVMTR 5S 20KINC TP/K BRK	\$4,070	A06B-0315-B042#7000	SVMTR 10S 2.5KABS ST	\$2,991
A06B-0314-B501#7073	SVMTR 5S 2KINC SPECIAL SHAFT	\$1,863	A06B-0315-B042#7008	SVMTR 10S 2.5KABS ST/K	\$2,991
A06B-0314-B504#7000	SVMTR 5S 2KINC ST	\$1,863	A06B-0315-B042#7075	SVMTR 10S 2.5KABS ST/K SL67	\$3,465
A06B-0314-B504#7008	SVMTR 5S 2KINC ST/K	\$1,769	A06B-0315-B042#7076	SVMTR 10S 2.5KABS ST/K SL67	\$3,465
A06B-0314-B504#7076	SVMTR 5S 2KINC ST/K SL67	\$2,654	A06B-0315-B043#7008	SVMTR 10S 3KABS ST/K	\$2,991
A06B-0314-B505#7000	SVMTR 5S 2.5KINC ST	\$1,863	A06B-0315-B043#7075	SVMTR 10S 3KABS ST/K SL67	\$3,465
A06B-0314-B505#7008	SVMTR 5S 2.5KINC ST/K	\$1,769	A06B-0315-B043#7076	SVMTR 10S 3KABS ST KY IP67	\$3,465
A06B-0314-B505#7076	SVMTR 5S 2.5KINC ST/K SL67	\$2,654	A06B-0315-B062#7008	SVMTR 10S 12KINC ST/K	\$2,991
A06B-0314-B506#7000	SVMTR 5S 3KINC ST	\$1,863	A06B-0315-B063#7000	SVMTR 10S 15KINC ST	\$2,991
A06B-0314-B506#7008	SVMTR 5S 3KINC ST/K	\$1,863	A06B-0315-B063#7008	SVMTR 10S 15KINC ST/K	\$2,991
A06B-0314-B506#7073	SVMTR 5S 3KINC ST SPECIAL SHAFT	\$1,863	A06B-0315-B064#7008	SVMTR 10S 20KINC ST/K	\$2,991
A06B-0314-B506#7075	SVMTR 5S 3KINC ST/K SL67	\$2,793	A06B-0315-B065#7000	SVMTR 10S 25KINC ST	\$2,991
A06B-0314-B506#7076	SVMTR 5S 3KINC ST/K SL67	\$2,654	A06B-0315-B065#7008	SVMTR 10S 25KINC ST/KY	\$2,991
A06B-0314-B510#7000	SVMTR 5S 10KINC ST	\$1,863	A06B-0315-B066#7000	SVMTR 10S 20KINC/HS ST	\$2,991
A06B-0314-B510#7008	SVMTR 5S 10KINC ST/K	\$1,863	A06B-0315-B067#7000	SVMTR 10S 25KINC/HS ST	\$2,991
A06B-0314-B510#7073	SVMTR 5S	\$1,769	A06B-0315-B067#7076	SVMTR 10S 25KINC/HS ST/K SL67	\$3,465
A06B-0314-B532#7008	SVMTR 5S 2.5KABS ST/K	\$2,414	A06B-0315-B068#7000	SVMTR 10S 30KINC/HS ST	\$2,991
A06B-0314-B541#7008	SVMTR 5S 2KABS ST/K	\$2,414	A06B-0315-B068#7008	SVMTR 10S 30KINC/HS ST/K	\$2,991
A06B-0314-B542#7000	SVMTR 5S 2.5KABS ST NKY	\$3,449	A06B-0315-B071#7075	AC MOTOR 10S	\$3,073
A06B-0314-B542#7008	SVMTR 5S 2.5KABS ST/K	\$2,414	A06B-0315-B072#7000	SVMTR 10S 1MMABS/SR ST	\$2,991
A06B-0314-B543#7000	SVMTR 5S 3KABS ST	\$2,414	A06B-0315-B072#7008	SVMTR 10S 1MMABS/SR ST/K	\$2,991
A06B-0314-B543#7008	SVMTR 5S 3KABS ST/K	\$2,414	A06B-0315-B072#7075	SVMTR 10S 1MMABS/SR ST/K SL67	\$3,465
A06B-0314-B563#7008	SVMTR 5S 15KINC ST/K	\$2,414	A06B-0315-B072#7076	SVMTR 10S 1MMABS/SR ST/K SL67	\$3,465
A06B-0314-B563#7076	SVMTR 5S 15KINC ST/K SL67	\$3,177	A06B-0315-B072#C008	SVMTR 10S 1MMABS/SR ST/K CSA	\$2,830
A06B-0314-B564#7000	SVMTR 5S 20KINC ST	\$2,414	A06B-0315-B074#7000	SVMTR 10S 40KINC/SR ST	\$2,507
A06B-0314-B564#7008	SVMTR 5S 20KINC ST/K	\$2,414	A06B-0315-B074#7008	SVMTR 10S 40KINC/SR ST/K	\$2,507
A06B-0314-B564#7076	SVMTR 5S 20KINC ST/K SL67	\$3,345	A06B-0315-B074#7075	SVMTR 10S 40KINC/SR ST/K SL67	\$3,073
A06B-0314-B565#7000	SVMTR 5S 25KINC ST/K	\$2,414	A06B-0315-B074#7076	SVMTR 10S 40KINC ST/K SL67	\$3,073
A06B-0314-B565#7008	SVMTR 5S 25KINC ST/K SL67	\$3,345	A06B-0315-B081#7000	SVMTR 10S 10KINC ST	\$2,991
A06B-0314-B565#7076	SVMTR 5S 25KINC/HS ST/K	\$3,345	A06B-0315-B081#7008	SVMTR 10S 10KINC ST/K	\$2,991
A06B-0314-B567#7008	SVMTR 5S 25KINC/HS ST/K SL67	\$3,345	A06B-0315-B081#7075	SVMTR 10S 10KINC ST SL67	\$3,465
A06B-0314-B572#7000	SVMTR 5S 1MMABS/SR ST	\$2,414	A06B-0315-B081#7076	SVMTR 10S 10KINC ST/K SL67	\$3,465
A06B-0314-B572#7008	SVMTR 5S 1MMABS/SR ST/K	\$2,414	A06B-0315-B202#7008	AC MOTOR 10S	\$3,588
A06B-0314-B572#7076	SVMTR 5S 1MMABS/SR ST/K SL67	\$3,345	A06B-0315-B204#7000	SVMTR 10S 2KINC ST BRK	\$3,588
A06B-0314-B574#7000	SVMTR 5S 40KINC/SR ST	\$1,769	A06B-0315-B204#7008	SVMTR 10S 2KINC BRK IP67	\$4,544
A06B-0314-B574#7008	SVMTR 5S 40KINC/SR ST/K	\$1,863	A06B-0315-B204#7075	SVMTR 10S 2.5KINC ST BRK	\$3,588
A06B-0314-B574#7076	SVMTR 5S 40KINC/SR ST/K SL67	\$2,654	A06B-0315-B205#7000	SVMTR 10S 2.5KINC ST/K BRK	\$3,588
A06B-0314-B581#7000	SVMTR 5S 10KINC ST	\$2,414	A06B-0315-B205#7008	SVMTR 10S ST/K BK 2.5KINC IP67	\$4,250
A06B-0314-B581#7008	SVMTR 5S 10KINC ST/K	\$2,414	A06B-0315-B205#7076	SVMTR 10S 3KINC ST BRK	\$3,588
A06B-0314-B581#7076	SVMTR 5S 10KINC ST/K SL67	\$3,345	A06B-0315-B206#7000	SVMTR 10S 3KINC BRK IP67	\$4,250
A06B-0314-B604#7000	SVMTR 5S 2KINC ST BRK	\$3,517	A06B-0315-B206#7008	SVMTR 10S 10KINC ST/K BRK	\$3,588
A06B-0314-B604#7008	SVMTR 5S 2KINC ST/K BRK	\$3,517	A06B-0315-B206#7075	SVMTR 10S 2.5KABS ST BRK	\$3,980
A06B-0314-B605#7000	SVMTR 5S 2.5KINC ST BRK	\$3,517	A06B-0315-B242#7000	SVMTR 10S 2.5KABS ST BRK	\$3,980
A06B-0314-B605#7008	SVMTR 5S 2.5KINC ST/K BRK	\$3,517	A06B-0315-B242#7008	SVMTR 10S 2.5KABS ST/K BRK	\$3,980
A06B-0314-B606#7000	SVMTR 5S 3KINC ST BRK	\$3,517	A06B-0315-B242#7075	SVMTR 10S 2.5KABS IP67	\$4,643
A06B-0314-B606#7008	SVMTR 5S 3KINC ST/K BRK	\$3,517	A06B-0315-B242#7076	SVMTR 10S ST/K BK 2.5KABS IP67	\$4,643
A06B-0314-B610#7000	SVMTR 5S 10KINC ST BRK	\$3,517	A06B-0315-B243#7008	SVMTR 10S 3KABS ST/K BRK	\$3,980
A06B-0314-B610#7008	SVMTR 5S 10KINC ST/K BRK	\$3,517	A06B-0315-B243#7075	SV MTR 10S 3K ABS BRK IP67	\$4,643
A06B-0314-B642#7000	SVMTR 5S 2.5KABS ST BRK	\$4,844	A06B-0315-B268#7008	SVMTR 10S 30KINC/HS ST/K BRK	\$3,980
A06B-0314-B642#7076	SVMTR 5S 2.5KABS ST/K BRK	\$5,329	A06B-0315-B272#7000	SVMTR 10S 1MMABS/SR ST BRK	\$3,980
A06B-0314-B643#7008	SVMTR 5S 3KABS ST/K BRK	\$4,552	A06B-0315-B272#7008	SVMTR 10S 1MMABS/SR ST/K BRK	\$3,980
A06B-0314-B663#7076	SVMTR 5S 15KINC ST/K BRK IP67	\$4,119	A06B-0315-B274#7000	SV MTR 10S 40KINC ST BRK	\$3,588
A06B-0314-B667#7008	SVMTR 5S 25KINC/HS ST/K BRK	\$4,070	A06B-0315-B274#7008	SVMTR 10S 40KINC/SR ST/K BRK	\$3,588
A06B-0314-B667#7074	SVMTR 5S 25KINC/HS ST/K BRK	\$3,359	A06B-0315-B274#7076	SVMTR 10S 40KINC/SR ST/K BRK IP67	\$4,250
A06B-0314-B672#7008	SVMTR 5S 1MMABS/SR ST/K BRK	\$4,070	A06B-0315-B281#7008	SVMTR 10S 10KINC ST/K BRK	\$3,980
A06B-0314-B674#7000	SVMTR 5S 40KINC/SR ST BRK	\$3,517	A06B-0315-B503#7008	SV MTR 10S	\$2,507
A06B-0314-B674#7008	SVMTR 5S 40KINC/SR ST/K BRK	\$3,342	A06B-0315-B504#7000	SVMTR 10S 2KINC TP/K	\$2,507
A06B-0314-B674#7076	SVMTR 5S 40KINC/S ST/K BR IP67	\$4,226	A06B-0315-B505#7075	Servo Motor 10S Taper Shaft with IP67	\$3,073
A06B-0314-B681#7000	SVMTR 5S 10KINC ST BRK	\$4,070	A06B-0315-B506#7000	SVMTR 10S 3KINC TP/K	\$2,507
A06B-0314-B681#7008	SVMTR 5S 10KINC ST/K BRK	\$4,070	A06B-0315-B541#7000	SVMTR 10S 2KABS TP/K	\$2,991
A06B-0314-B701#7076	SVMTR 5S 2KINC ST/K BRK IP67	\$4,448	A06B-0315-B543#7075	SVMTR 10S 3KABS TP KY IP67	\$3,465
A06B-0315-B001#7081	SV MTR 10S 2KPPR 32MM SHT	\$2,507	A06B-0315-B561#7008	SVMTR 10S 10K HIRES ST/K	\$2,991

RENEWAL PARTS  
PRICING

D-31





# A06B-0315-B567#7000

Part Number	Description	Price	Part Number	Description	Price
A06B-0315-B567#7000	Servo Motor 10S Taper Shaft	\$2,991	A06B-0318-B274#7008	SVMTR 20S/3000 40KINC/SR S/K B	\$4,691
A06B-0315-B572#7075	SVMTR 10S 1MMABS/SR TP/K SL67	\$3,465	A06B-0318-B274#7075	SVMTR 20S/3000 40KINC/SR ST BR	\$5,354
A06B-0315-B574#7075	SVMTR 10S 40KINC/SR TP/K BRK	\$3,073	A06B-0318-B281#7008	SVMTR 20S/3000 10KINC ST/K BRK	\$5,084
A06B-0315-B761#7000	SVMTR 10S 10KINC TP/K SL67	\$3,980	A06B-0318-B304#7008	SVMTR 20S/3000 2KINC ST/K BRK	\$4,691
A06B-0315-B781#7000	SVMTR 10S 10KINC TP/K BRK	\$3,980	A06B-0318-B341#7008	SVMTR 20S/3000 2KABS ST/K BRK	\$5,084
A06B-0316-B505#7000	SVMTR 6S 2.5KINC ST	\$2,545	A06B-0318-B343#7076	ACSV MTR 20SB/3000	\$5,746
A06B-0316-B572#7000	SV MTR 6S	\$2,901	A06B-0318-B362#7008	SVMTR 20S/3000 12KINC ST/K BRK	\$5,084
A06B-0316-B674#7500	SVMTR 6S 40KINC SER ST BR GND	\$3,465	A06B-0318-B372#7076	SVMTR 20S/3K 1MMSRST/K/1P67/BR	\$5,746
A06B-0317-B004#7000	SVMTR 10S/3000 2KINC ST	\$2,507	A06B-0318-B805#7000	SVMTR 20S/3000 2.5KINC TP BRK	\$4,691
A06B-0317-B004#7008	AC MOTOR 10S/3000	\$2,507	A06B-0318-B874#7075	SVMTR 20S/3000 40KINC/SR TP BR	\$5,354
A06B-0317-B004#7076	SVMTR 10S/3000 2KINC ST/K SL67	\$3,073	A06B-0319-B002#7008	SVMTR 30S/3000 2.5KINC ST/K	\$4,103
A06B-0317-B005#7000	SVMTR 10S/3000 2.5KINC ST	\$2,507	A06B-0319-B002#7076	AC MOTOR	\$4,765
A06B-0317-B005#7008	SVMTR 10S/3000 2.5KINC ST/K	\$2,507	A06B-0319-B004#7000	SVMTR 30S/3000 2KINC ST	\$4,103
A06B-0317-B005#7075	SVMTR 10S/3000 2.5KINC ST/K SL	\$3,073	A06B-0319-B004#7008	AC MTR 30S/3000	\$4,103
A06B-0317-B005#7076	SVMTR 10S/3000 2.5KINC ST/K SL	\$3,073	A06B-0319-B004#7075	SVMTR 30S/3000 2KINC ST/K SL67	\$4,765
A06B-0317-B006#7000	SVMTR 10S/3000 3KINC ST	\$2,507	A06B-0319-B004#7076	SVMTR 30S/3000 2KINC ST/K SL67	\$4,765
A06B-0317-B006#7008	SVMTR 10S/3000 3KINC ST/K	\$2,507	A06B-0319-B005#7000	SVMTR 30S/3000 2.5KINC ST	\$4,103
A06B-0317-B006#7076	SVMTR 10S/3000 3KINC ST/K SL	\$3,073	A06B-0319-B005#7008	SVMTR 30S/3000 2.5KINC ST/K	\$4,103
A06B-0317-B006#7000	SVMTR 10S/3000 3KINC ST	\$2,507	A06B-0319-B005#7075	SVMTR 30S/3000 2.5KINC ST/K SL	\$4,765
A06B-0317-B006#7076	SVMTR 10S/3000 3KINC ST/K	\$3,073	A06B-0319-B005#7076	SVMTR 30S/3000 2.5KINC ST/K SL	\$4,765
A06B-0317-B010#7000	SVMTR 10S/3000 10KINC ST	\$2,507	A06B-0319-B005#7085	SVMTR 30S IP67 & SPECIAL SHFT	\$4,103
A06B-0317-B010#7008	SVMTR 10S/3000 10KINC ST/K	\$2,507	A06B-0319-B006#7008	SVMTR 30S/3000 3KINC ST/K	\$4,103
A06B-0317-B043#7000	SVMTR 10S/3000 3KABS ST	\$2,991	A06B-0319-B006#7076	SVMTR 30S/3000 3KINC ST/K SL67	\$4,765
A06B-0317-B043#7008	SVMTR 10S/3000 3KABS ST KY	\$2,991	A06B-0319-B010#7000	SVMTR 30S/3000 10KINC ST	\$4,103
A06B-0317-B043#7076	SVMTR 10S/3000 3KABS ST/K SL67	\$3,465	A06B-0319-B010#7008	SVMTR 30S/3000 10KINC ST/K	\$4,103
A06B-0317-B055#7008	SVMTR 10S/3000 1MMABS/S R S/K	\$3,122	A06B-0319-B031#7076	SVMTR 30S/3000 2KABS ST/K SL67	\$5,157
A06B-0317-B066#7008	SVMTR 10S/3000 20KINC/HS ST/K	\$2,991	A06B-0319-B041#7076	SVMTR 30S/3000 2KABS ST/K SL67	\$5,157
A06B-0317-B067#7008	SVMTR 10S/3000 25KINC/HS ST/K	\$2,991	A06B-0319-B042#7076	SVMTR 30S/3000 2.5KABS ST/K SL	\$5,157
A06B-0317-B072#7000	SVMTR 10S/3000 1MMABS/SR ST	\$2,991	A06B-0319-B043#7076	SVMTR 30S/3000 3KABS ST/K SL67	\$5,157
A06B-0317-B072#7008	SVMTR 10S/3000 1MMABS/SR ST/K	\$2,991	A06B-0319-B055#7008	SVMTR 30S/3000 1MMABS/S R S/K	\$4,495
A06B-0317-B072#7075	SVMTR 10S/3000 1MMABS/SR S/K S	\$3,465	A06B-0319-B061#7008	SVMTR 30S/3000 10KINC ST/K	\$4,495
A06B-0317-B072#7076	SVMTR 10S/3000 1MMABS/SR S/K S	\$3,465	A06B-0319-B065#7000	SVMTR 30S/3000 25KINC ST	\$4,495
A06B-0317-B074#7000	SVMTR 10S/3000 40KINC/SR ST	\$2,507	A06B-0319-B066#7076	SVMTR 30S/3000 20KINC/HS S/K S	\$5,157
A06B-0317-B074#7008	SVMTR 10S/3000 40KINC/SR ST/K	\$2,507	A06B-0319-B072#7000	SVMTR 30S/3000 1MMABS/SR ST/K	\$4,495
A06B-0317-B074#7076	SVMTR 10S/3000 40KINC/SR S/K S	\$3,073	A06B-0319-B072#7076	SVMTR 30S/3000 1MMABS/SR S/K S	\$5,157
A06B-0317-B081#7008	SVMTR 10S/3000 10KINC ST/K	\$2,991	A06B-0319-B074#7008	SVMTR 30S/3000 40KINC/SR ST/K	\$4,103
A06B-0317-B081#7076	SVMTR 10S/3000 10KINC ST/K 67	\$3,465	A06B-0319-B074#7076	SVMTR 30S/3000 40KINC/SR S/K S	\$4,765
A06B-0317-B202#7000	SVMTR 10S/3000 2.5KINC ST BRK	\$3,588	A06B-0319-B081#7000	SVMTR 30S/3000 10KINC ST	\$4,495
A06B-0317-B204#7000	AC MOTOR 10SB/300	\$3,588	A06B-0319-B081#7008	SVMTR 30S/3000 10KINC ST/K	\$4,495
A06B-0317-B204#7076	SVMTR 10S/3K ST/K B 2KINC IP67	\$4,250	A06B-0319-B081#7076	SVMTR 30S/3000 10KINC ST/K 67	\$5,157
A06B-0317-B205#7000	SVMTR 10S/3000 2.5KINC ST BRK	\$3,588	A06B-0319-B204#7000	SVMTR 30S/3000 2KINC ST BRK	\$5,280
A06B-0317-B205#7008	SVMTR 10S/3000 2.5KINC ST/K BR	\$3,588	A06B-0319-B204#7008	SVMTR 30S/3000 2KINC ST/K BRK	\$5,280
A06B-0317-B210#7008	SVMTR 10S/3000 10KINC ST/K BRK	\$3,588	A06B-0319-B205#7000	SVMTR 30S/3000 2.5KINC ST BRK	\$5,280
A06B-0317-B242#7008	SVMTR 10S/3000 2.5KABS ST/K BR	\$3,980	A06B-0319-B205#7008	SVMTR 30S/3000 2.5KINC ST/K BRK	\$5,280
A06B-0317-B243#7076	SVMTR 10S/3000 3KABS ST B SL67	\$3,980	A06B-0319-B206#7008	SVMTR 30S/3000 3KINC ST/K BRK	\$5,280
A06B-0317-B267#7008	SVMTR 10S/3000 25KINC/HS S/K B	\$3,980	A06B-0319-B210#7008	SVMTR 30S/3000 10KINC ST/K BRK	\$5,280
A06B-0317-B272#7000	SVMTR 10S/3000 1MMABS/SR ST BR	\$3,980	A06B-0319-B272#7000	SVMTR 30S/3000 1MMABS/SR ST BR	\$5,672
A06B-0317-B272#7008	SVMTR 10S/3000 1MMABS/SR S/K B	\$3,980	A06B-0319-B272#7008	SVMTR 30S 1MM/SR BRK K	\$5,942
A06B-0317-B272#7076	SVMTR 10S/3000 1MMABS S/K B 67	\$4,643	A06B-0319-B272#7076	SVMTR 30S 1MM ST KY BRK IP67	\$6,604
A06B-0317-B274#7000	SVMTR 10S/3000 40KINC/SR ST BR	\$3,588	A06B-0319-B274#7008	SVMTR 30S/3000 40KINC/SR S/K B	\$5,280
A06B-0317-B274#7008	SVMTR 10S/3000 40KINC/SR S/K B	\$3,588	A06B-0319-B281#7008	SVMTR 30S/3000 10KINC ST/K BRK	\$5,672
A06B-0317-B281#7008	SVMTR 10S/3000 10KINC ST/K BRK	\$3,980	A06B-0319-B304#7008	SVMTR 30S/3000 2KINC ST/K BRK	\$5,280
A06B-0317-B510#7000	SVMTR 10S/3000 10KINC TP/K	\$2,507	A06B-0319-B306#7008	SVMTR 30S/3000 3KINC ST/K BRK	\$5,280
A06B-0318-B004#7000	SVMTR 20S/3000 2KINC ST	\$3,514	A06B-0319-B310#7000	SVMTR 30S/3000 10KINC ST BRK	\$5,280
A06B-0318-B004#7008	20S/3000 MTR ST	\$3,514	A06B-0319-B342#7076	SVMTR 30S/3000 2.5KABS ST/K BR	\$6,335
A06B-0318-B005#7000	SVMTR 20S/3000 2.5KINC ST	\$3,514	A06B-0319-B366#7008	SVMTR 30S/3000 20KINC/HS S/K B	\$5,672
A06B-0318-B005#7008	SVMTR 20S/3000 2.5KINC ST/K	\$3,514	A06B-0319-B372#7000	SVMTR 30S/3000 1MMABS/SR ST BR	\$5,672
A06B-0318-B005#7075	SVMTR 20S/3000 2.5KINC ST/K SL	\$4,177	A06B-0319-B372#7008	SVMTR 30S/3000 1MMABS/SR S/K B	\$5,672
A06B-0318-B005#7076	SVMTR 20S/3000 2.5KINC ST/K SL	\$4,177	A06B-0319-B372#7076	SVMTR 30S/3000 1MMABS S/K B 67	\$6,335
A06B-0318-B006#7000	SVMTR 20S/3000 3KINC ST	\$3,514	A06B-0319-B374#7008	SVMTR 30S/3000 40KINC/SR S/K B	\$5,280
A06B-0318-B006#7075	SVMTR 20S/3000 3KINC ST/K SL67	\$4,177	A06B-0319-B381#7008	SVMTR 30S/3000 10KINC ST/K BRK	\$5,672
A06B-0318-B006#7076	SVMTR 20S/3000 3KINC ST/K SL67	\$4,177	A06B-0319-B581#7000	SVMTR 30S/3000 10KINC TP/K	\$4,495
A06B-0318-B010#7000	SVMTR 20S/3000 10KINC ST/K	\$3,514	A06B-0319-B581#7075	SVMTR 30S/3000 10KINC TP/K 67	\$5,157
A06B-0318-B041#7008	SVMTR 20S/3000 2KABS ST/K	\$3,906	A06B-0320-B062#7000	SV MTR 6S/3000 12.5KINC TP/K	\$2,840
A06B-0318-B042#7000	SVMTR 20S/3000 2.5KABS	\$3,906	A06B-0320-B063#7000	SV MTR 6S/3000 15KINC TP/K	\$2,840
A06B-0318-B043#7008	SVMTR 20S/3000 3KABS ST/K	\$3,906	A06B-0320-B064#7000	SV MTR 6S/3000 20KINC TP/K	\$3,066
A06B-0318-B043#7076	SVMTR 20S/3000 3KABS ST/K SL67	\$4,569	A06B-0320-B065#7000	SV MTR 6S/3000 25KINC TP/K	\$3,066
A06B-0318-B062#7008	SVMTR 20S/3000 12KINC ST/K	\$3,906	A06B-0320-B066#7000	SV MTR 6S/3000 20KINC TP/K	\$2,840
A06B-0318-B066#7076	SVMTR 20S/3000 20KINC/HS S/K S	\$4,569	A06B-0320-B067#7000	SV MTR 6S/3000 25KINC TP/K	\$2,840
A06B-0318-B072#7000	SVMTR 20S/3000 1MMABS/SR ST	\$3,906	A06B-0320-B068#7000	SV MTR 6S/3000 30KINC TP/K	\$2,840
A06B-0318-B072#7008	SVMTR 20S/3000 1MMABS/SR ST K	\$3,906	A06B-0320-B503#7000	SV MTR 6S/3000 3KINC ST	\$2,357
A06B-0318-B072#7076	SVMTR 20S/3000 1MMABS/SR S/K S	\$4,569	A06B-0320-B506#7000	SV MTR 6S/3000 3KINC ST	\$2,357
A06B-0318-B074#7008	SVMTR 20S/3000 40KINC/SR ST/K	\$3,514	A06B-0320-B561#7000	SV MTR 6S/3000 10KINC ST	\$2,840
A06B-0318-B081#7000	SVMTR 20S/3000 10KINC ST	\$3,906	A06B-0320-B572#7000	SVMTR 6S/3000 1MMABS TP	\$2,840
A06B-0318-B081#7008	SVMTR 20S/3000 10KINC ST/K	\$3,906	A06B-0320-B581#7000	SV MTR 6S/3000 10KINC ST	\$2,840
A06B-0318-B081#7076	SVMTR 20S/3000 10KINC ST/K 67	\$4,569	A06B-0320-B674#7008	SV MTR 6S/3000 BRK 40KINC KEY	\$3,465
A06B-0318-B202#7008	SVMTR 20S/3000 2.5KINC ST/K BR	\$5,011	A06B-0320-B761#7000	SV MTR 6S/3000 BRAKE STR SHAFT	\$3,857
A06B-0318-B204#7000	SVMTR 20S/3000 2KINC ST BRK	\$4,691	A06B-0320-B762#7000	SV MTR 6S/3000 BRAKE STR SHAFT	\$3,857
A06B-0318-B204#7008	SVMTR 20S/3000 2KINC ST/K BRK	\$4,691	A06B-0320-B763#7000	SV MTR 6S/3000 BRAKE STR SHAFT	\$3,857
A06B-0318-B205#7000	SVMTR 20S/3000 2.5KINC ST BRK	\$4,691	A06B-0320-B764#7000	SV MTR 6S/3000 BRAKE STR SHAFT	\$3,857
A06B-0318-B205#7008	SVMTR 20S/3000 2.5KINC ST/K BR	\$4,691	A06B-0320-B765#7000	SV MTR 6S/3000 BRAKE STR SHAFT	\$3,857
A06B-0318-B206#7000	SVMTR 20S/3000 3KINC ST BRK	\$4,912	A06B-0320-B766#7000	SV MTR 6S/3000 BRAKE STR SHAFT	\$3,857
A06B-0318-B232#7000	AC MOTOR 20S	\$5,084	A06B-0320-B767#7000	SV MTR 6S/3000 BRAKE STR SHAFT	\$3,857
A06B-0318-B272#7000	SVMTR 20S/3000 1MMABS/SR ST BR	\$5,329			
A06B-0318-B272#7008	SVMTR 20S/3000 1MMABS/SR S/K B	\$5,329			
A06B-0318-B274#7000	SVMTR 20S/3000 40KINC/SR ST BR	\$4,691			

RENEWAL PARTS  
PRICING

D-32



A06B-0320-B768#7000

Part Number	Description	Price	Part Number	Description	Price
A06B-0320-B768#7000	SV MTR 6S/3000 BRAKE STR SHAFT	\$3,857	A06B-0333-B577#7000	SVMTR A150/2K 64KINC ST/KY	\$10,020
A06B-0331-B031#7000	SVMTR 50S 2KABS	\$8,038	A06B-0333-B584#7000	SVMTR A150/2K IMABS ST/KY	\$10,532
A06B-0331-B033#7000	SV MTR 50S 3KABS	\$7,928	A06B-0333-B775#7000	SVMTR A150/2K 64KABS ST/KY BRK	\$13,106
A06B-0331-B061#7000	SVMTR 50S 10INC TP/K	\$7,928	A06B-0333-B775#7075	SVMTR A150/2K 64KINC S/K IP67	\$13,829
A06B-0331-B061#7008	SV MTR 50S	\$8,296	A06B-0333-B777#7000	SVMTR A150/2K 64KINC ST/KY BRK	\$11,267
A06B-0331-B062#7000	SVMTR 50S 12INC TP/K	\$7,928	A06B-0333-B784#7000	SVMTR A150/2K IMABS ST/KY BRK	\$11,780
A06B-0331-B063#7000	SVMTR 50S 15INC TP/K	\$8,296	A06B-0333-B788#7000	SVMTR A150/2K 1MMABS ST/KY BRK	\$13,267
A06B-0331-B066#7000	SVMTR 50S 20KINC/HS TP/K	\$7,928	A06B-0338-B075#7000	A400/2000 64K ABS TP KY	\$23,003
A06B-0331-B069#7000	SVMTR 50S 1MM TP/K	\$7,928	A06B-0345-B221#7008	SVMTR	\$6,064
A06B-0331-B071#7000	SVMTR 50S 40KINC/SR TP/K	\$7,536	A06B-0346-B356#7000	SVMTR 5F/3000	\$4,594
A06B-0331-B075#7000	SVMTR A65 2K 64KABS TP	\$7,623	A06B-0351-B071#7075	SV MTR 10S 40KSER ST SL67	\$709
A06B-0331-B075#7075	SVMTR A65 2K 64KABS TP IP67	\$8,345	A06B-0352-B731#7000	SVMTR 20F 2KABS TP BRK	\$6,824
A06B-0331-B077#7000	SVMTR A65 2K 64KINC TP	\$7,419	A06B-0353-B821#7000	AC MOTOR 30F	\$7,413
A06B-0331-B077#7008	NOT A GOOD PART NUMBER	\$7,419	A06B-0369-B355#7002	AC MOTOR 3-0F	\$2,312
A06B-0331-B077#7075	SVMTR A65 2K 64KINC TP IP67	\$8,142	A06B-0371-B010#7000	SVMTR 2-OSP 10KINC TP/K	\$1,359
A06B-0331-B077#7076	NOT A GOOD PART NUMBER	\$8,142	A06B-0371-B010#7075	SVMTR 2-OSP 10KINC TP/K SL67	\$2,176
A06B-0331-B088#7000	SVMTR A65 2K 1MABS TP	\$7,784	A06B-0371-B032#7075	SVMTR 2-OSP 2.5KABS TP/K SL67	\$2,659
A06B-0331-B088#7075	SVMTR A65 2K 1MABS TP IP67	\$8,173	A06B-0371-B041#7000	SVMTR 2-OSP 2KABS TP/K	\$1,843
A06B-0331-B275#7000	SVMTR A65 2K 64KABS TP BRK	\$8,843	A06B-0371-B042#7000	SVMTR 2-OSP 2.5KABS TP/K	\$1,843
A06B-0331-B277#7000	SVMTR A65 2K 64KINC TP BRK	\$8,639	A06B-0371-B042#7075	SVMTR 2-OSP 2.5KABS TP/K SL67	\$2,659
A06B-0331-B277#7008	SVMTR A65/2K 64KINC ST KY BRK	\$8,640	A06B-0371-B043#7000	SVMTR 2-OSP 3KABS TP/K	\$1,843
A06B-0331-B284#7000	SVMTR A65 2K 1MABS TP BRK	\$8,742	A06B-0371-B051#7000	SVMTR 2-OSP 2KABS TP/K	\$1,414
A06B-0331-B575#7000	SVMTR A65/2K 64KABS ST/KY	\$7,623	A06B-0371-B069#7000	SVMTR 2-OSP 1MMABS/SR TP/K	\$1,843
A06B-0331-B575#7075	SVMTR A65/2K 64KABS ST/KY IP67	\$8,345	A06B-0371-B071#7000	SVMTR 2-OSP 40KINC/SR TP/K	\$1,359
A06B-0331-B577#7000	SVMTR A65/2K 64KINC ST/KY	\$6,491	A06B-0371-B075#7000	SVMTR A1/3K 64KABS TP	\$1,348
A06B-0331-B584#7000	SVMTR A65/2K 64KABS ST/KY	\$7,003	A06B-0371-B076#7000	SVMTR 1/3000 A64+SC	\$1,348
A06B-0331-B584#7075	SVMTR A65/2K 1M ST KY IP67	\$8,628	A06B-0371-B077#7000	SVMTR A1 3K 64KINC TP	\$1,144
A06B-0331-B588#7075	SVMTR A65/2K	\$8,509	A06B-0371-B077#7075	SVM A1 3K 64KINC TP IP67	\$1,867
A06B-0331-B675#7075	SVMTR A65/2K 64A ST KY BK IP67	\$709	A06B-0371-B141#7000	SVMTR 2-OSP 2KABS TP/K BRK	\$3,048
A06B-0331-B775#7000	SVMTR A65/2K 64KABS ST/KY BRK	\$8,843	A06B-0371-B144#7000	SVMTR 2-OSP 2KABS SC TP KY	\$3,097
A06B-0331-B775#7075	SVMTR A65/2K 64KABS ST BK IP67	\$9,566	A06B-0371-B169#7000	SVMTR 2-OSP 1MMABS/SR TP/K BR	\$3,048
A06B-0331-B777#7000	SVMTR A65/2K 64KINC ST/KY BRK	\$7,738	A06B-0371-B175#7000	SVMTR A1 3K 64KABS BR TP	\$2,568
A06B-0331-B784#7000	SVMTR A65/2K 1MABS ST/KY BRK	\$8,251	A06B-0371-B177#7000	SVMTR A1 3K 64KINC BR TP	\$2,365
A06B-0331-B784#7075	USE A06B-0331-B788#7075 W/OUT	\$9,843	A06B-0371-B510#7008	SVMTR 2-OSP 10KINC ST/K	\$1,359
A06B-0331-B788#7075	SVMTR A65/2K IMABS ST BRK IP67	\$9,844	A06B-0371-B510#7076	SVMTR 2-OSP 10KINC ST/K IP67	\$2,176
A06B-0332-B001#7008	SV MTR	\$9,939	A06B-0371-B541#7076	SVMTR 2-OSP 2KABS ST/K SL67	\$2,659
A06B-0332-B061#7000	SVMTR 60S 10INC TP/K	\$10,331	A06B-0371-B569#7000	SVMTR 2-OSP 1MMABS/SR ST	\$1,843
A06B-0332-B064#7000	SVMTR 60S 20INC TP/K	\$10,331	A06B-0371-B569#7008	SVMTR 2-OSP 1MMABS/SR ST/K	\$1,843
A06B-0332-B069#7000	SV MTR 60S 1MM TP/K	\$11,754	A06B-0371-B569#7076	SVMTR 2-OSP 1MMABS/SR ST/K S67	\$2,659
A06B-0332-B071#7000	SVMTR 60S 40K TP/K	\$9,939	A06B-0371-B571#7000	SVMTR 2-OSP 40KINC ST NKY	\$1,359
A06B-0332-B075#7000	SVMTR A100 2K 64KABS TP	\$10,114	A06B-0371-B571#7008	SVMTR 2-OSP 40KINC/SR ST/K	\$1,359
A06B-0332-B075#7075	SVMTR A100 2K 64KABS TP IP67	\$10,836	A06B-0371-B575#7000	SVMTR A1S/3000 A64	\$1,523
A06B-0332-B077#7000	SVMTR A100 2K 64KINC TP	\$9,911	A06B-0371-B575#7008	SVMTR A1 3K 64KABS ST/KY	\$1,348
A06B-0332-B077#7075	SVMTR A100 2K 64KINC TP IP67	\$10,633	A06B-0371-B575#7075	SVMTR A1/3K 64KA ST KY IP	\$2,070
A06B-0332-B084#7000	SVMTR A100 2K 1MABS TP	\$9,907	A06B-0371-B575#7076	SVMTR A1/3K 64KABS ST/KY IP67	\$2,070
A06B-0332-B084#7075	SVMTR A100 2K 64KINC TP IP67	\$10,570	A06B-0371-B577#7000	SVMTR A1/3K 64KINC ST	\$1,144
A06B-0332-B271#7000	SVMTR 60S 40K TP/K BRAKE	\$12,930	A06B-0371-B577#7008	SVMTR A1 3K 64KINC ST/KY	\$1,144
A06B-0332-B275#7000	SVMTR A100 2K 64KABS TP BRK	\$11,333	A06B-0371-B577#7076	SVMTR A1/3K 64KINC ST/KY IP67	\$1,867
A06B-0332-B277#7000	SVMTR A100 2K 64KINC TP BRK	\$11,129	A06B-0371-B584#7008	SVMTR A1/3K 1MABS ST/KY	\$1,633
A06B-0332-B284#7000	SVMTR A100 2K 1MABS TP BRK	\$11,025	A06B-0371-B584#7076	SVMTR A1 3K 1MABS ST/KY IP67	\$2,659
A06B-0332-B288#7000	SVMTR A100 2K 1MABS TP BRK	\$10,913	A06B-0371-B588#7008	SVMTR A1/3K 1MABS ST/KY	\$1,509
A06B-0332-B575#7000	SVMTR A100/2K 64KABS ST/KY	\$10,114	A06B-0371-B588#7076	SVMTR A1/3K 1MABS ST/KY IP67	\$2,232
A06B-0332-B575#7075	SVMTR A100/2K 64KABS STKY IP67	\$10,836	A06B-0371-B610#7008	SVMTR 2-OSP 10KINC ST/K BRK	\$2,810
A06B-0332-B577#7000	SVMTR A100/2K 64KINC ST/KY	\$8,547	A06B-0371-B610#7076	SVMTR 2-OSP 10KINC ST/K BRK S	\$3,319
A06B-0332-B584#7000	SVMTR A100/2K IMABS ST/KY	\$9,059	A06B-0371-B669#7008	SVMTR 2-OSP 1MM SR ST KY IP67	\$3,048
A06B-0332-B588#7075	SVMTR A100/2K IMABS ST/KY IP67	\$10,995	A06B-0371-B671#7075	SVMTR 2-OSPB	\$3,319
A06B-0332-B775#7000	SVMTR A100/2K 64KAB ST/KY BRK	\$11,341	A06B-0371-B675#7000	SVMTR A1/3K ST BRK NKY	\$2,568
A06B-0332-B775#7075	SVMTR A100/2K 64KABS SK BK 67	\$12,063	A06B-0371-B675#7008	SVMTR A1 3K 64KABS ST/KY BRK	\$2,568
A06B-0332-B777#7000	SVMTR A100/2K 64KINC ST/KY BRK	\$9,794	A06B-0371-B675#7076	SVMTR A1 3K 64KA ST/K BRK IP67	\$3,291
A06B-0332-B784#7000	SVMTR A100/2K IMABS ST/KY BRK	\$10,307	A06B-0371-B677#7000	SVMTR A1 64KINC	\$2,365
A06B-0333-B061#7000	SVMTR 70S 10INC TP/K	\$12,048	A06B-0371-B677#7008	SVMTR A1/3K 64KINC ST/KY BRK	\$2,365
A06B-0333-B061#7008	SV MTR 70S	\$12,048	A06B-0371-B677#7076	SVMTR A1/3K 64KI ST/K BRK IP67	\$3,087
A06B-0333-B062#7000	SVMTR 70S 12INC TP/K	\$12,048	A06B-0371-B684#7008	SVMTR A1 3K 1MABS ST/KY BRK	\$2,990
A06B-0333-B063#7000	SVMTR 70S 15INC TP/K	\$12,048	A06B-0371-B684#7076	SVMTR A1 3K 1MABS ST/K BRK IP6	\$3,651
A06B-0333-B065#7000	SVMTR 70S 25INC TP/K	\$12,048	A06B-0371-B688#7008	SVMTR A1/3K 1MABS ST/KY BRK	\$2,730
A06B-0333-B066#7000	SV MTR 70S	\$12,048	A06B-0371-B688#7076	SVMTR A1/3K 1MABS S/K BRK IP67	\$3,451
A06B-0333-B069#7000	SVMTR 70S 1MM TP/K	\$12,048	A06B-0372-B010#7000	SVMTR 1-OSP 10KINC TP/K	\$1,507
A06B-0333-B071#7000	SVMTR 70S 40KINC/SR	\$11,655	A06B-0372-B010#7075	SVMTR 1-OSP 10KINC TP/K SL67	\$2,518
A06B-0333-B075#7000	SVMTR A150 2K 64KABS TP	\$11,891	A06B-0372-B033#7075	SVMTR 1-OSP 3KABS TP/K SL67	\$3,069
A06B-0333-B075#7075	SVMTR A150 2K 64KABS TP IP67	\$12,614	A06B-0372-B041#7075	SVMTR 1-OSP 2KABS TP/K IP67	\$3,069
A06B-0333-B077#7000	SVMTR A150 2K 64KINC TP	\$11,688	A06B-0372-B042#7000	SVMTR 1-OSP 2KABS TP	\$2,114
A06B-0333-B077#7075	SVMTR A150 2K 64KINC TP IP67	\$12,410	A06B-0372-B043#7000	SVMTR 1-OSP 3KABS TP	\$2,138
A06B-0333-B084#7000	SVMTR A150 2K 1MABS TP	\$13,152	A06B-0372-B043#7075	SVMTR 1-OSP 3KABS TP KY IP67	\$3,069
A06B-0333-B084#7075	SVMTR A150 2K 1MABS TP IP67	\$13,813	A06B-0372-B044#7000	SVMTR 1-OSP 2KABS/SC TP/K	\$2,097
A06B-0333-B261#7000	SVMTR 70S 10KINC BRK TP/K	\$14,893	A06B-0372-B046#7000	SVMTR 1-OSP 3KABS/SC TP/K	\$2,207
A06B-0333-B269#7000	SVMTR 70S 1MMABS TP KY BRK	\$14,893	A06B-0372-B069#7000	SVMTR 1-OSP 1MMABS/SR TP/K	\$2,031
A06B-0333-B271#7000	OBS USE A06B-0333-B274#7000	\$15,407	A06B-0372-B069#7075	SVMTR 1-OSP 1MMABS/SR TP/K SL6	\$3,069
A06B-0333-B274#7000	SVMTR 70S 40KINC/SR TP/K BRK	\$10,729	A06B-0372-B071#7000	SVMTR 1-OSP 40KINC/SR TP/K	\$1,586
A06B-0333-B275#7000	SVMTR A150 2K 64KABS TP BRK	\$13,112	A06B-0372-B075#7000	SVMTR A2/2K 64KABS TP	\$1,681
A06B-0333-B277#7000	SVMTR A150 2K 64KINC TP BRK	\$12,908	A06B-0372-B076#7000	SVMTR A2/2000 A64+SC TP/K	\$1,372
A06B-0333-B284#7000	USE A06B-0333-B288#7000 W/OUT	\$14,608	A06B-0372-B077#7000	SVMTR A2 2K 64KINC	\$1,169
A06B-0333-B288#7000	SVMTR A150 2K 1MABS TP BRK	\$14,133	A06B-0372-B085#U000	SVMTR A2 2K TAPER SUPER CAP	\$1,656
A06B-0333-B575#7000	SVMTR A150/2K 64KABS ST/KY	\$11,903	A06B-0372-B088#7000	SV MTR A2 2K 64KINC	\$1,976
A06B-0333-B575#7075	SVMTR A150/2K 64KABS S/K IP67	\$12,625	A06B-0372-B110#7000	SVMTR 1-OSP 10KINC TP/K BRK	\$3,242

RENEWAL PARTS  
PRICING

D-33





# A06B-0372-B144#7000

Part Number	Description	Price	Part Number	Description	Price
A06B-0372-B144#7000	SVMTR 1-OSP 2KABS/SC TP/K BRK	\$3,669	A06B-0373-B675#7076	SVMTR A2 3K 64KABS ST/KY B IP6	\$3,315
A06B-0372-B144#7075	SVMTR 1-OSP 2KABS/SC TP/K BRK IP67	\$3,863	A06B-0373-B676#7075	SVMTR A2/3K 64KABS+SC ST BRK	\$3,413
A06B-0372-B169#7000	SVMTR 1-OSP 1MMABS/SR TP/K BRK	\$3,604	A06B-0373-B677#7000	SVMTR A2/3000 I64 BRK ST	\$2,389
A06B-0372-B175#7000	SVMTR A2/2K 64KABS TP BRK	\$3,174	A06B-0373-B677#7008	SVMTR A2 3K 64KINC ST/KY BRK	\$2,389
A06B-0372-B177#7000	SVMTR A2 2K 64KINC TP BRK	\$3,079	A06B-0373-B677#7076	SVMTR A2/3K 64KI S/K BRK IP67	\$3,111
A06B-0372-B184#7000	SVMTR A2/2K 1MMABS TP/K BRK	\$3,707	A06B-0373-B684#7008	SVMTR A2/3K 1MABS ST/KY BRK	\$2,876
A06B-0372-B510#7008	SV MTR 1-OSP 10KINC ST/K	\$1,586	A06B-0373-B684#7076	SV Motor A2/3000 1MABS S/K BRK	\$3,673
A06B-0372-B541#7000	SVMTR 1-OSP 2KABS ST	\$2,138	A06B-0373-B688#7008	SVMTR A2/3K 1MABS ST/KY BRK	\$2,753
A06B-0372-B541#7008	SVMTR 1-OSP 2KABS ST/K	\$2,138	A06B-0373-B688#7076	SVMTR A2/3K 1MABS S/K BRK IP67	\$3,475
A06B-0372-B542#7008	SVMTR 1-OSP 2.5KABS ST/K	\$2,138	A06B-0374-B175#7000	SVMTR A2 5/3000 A64	\$2,828
A06B-0372-B569#7000	SVMTR 1-OSP 1MMABS/SR ST	\$2,138	A06B-0374-B542#7000	SVMTR 0-OSP 2.5KABS ST	\$2,121
A06B-0372-B569#7008	SVMTR 1-OSP 1MMABS/SR ST/K	\$2,031	A06B-0374-B569#7000	SVMTR 0-OSP/3000 1MM ABS ST	\$1,964
A06B-0372-B569#7076	SVMTR 1-OSP 1MMABS/SR ST/K SL6	\$3,069	A06B-0374-B569#7008	SVMTR 0S/3000 1MM ABS KEY	\$1,964
A06B-0372-B571#7000	SVMTR 1-OSP 40KINC/SR ST	\$1,586	A06B-0374-B569#7076	SVMTR #0-OSP	\$2,780
A06B-0372-B571#7008	SVMTR 1-OSP 40KINC/SR ST/K	\$1,586	A06B-0374-B571#7000	SVMTR 0-OSP 40KINC	\$1,481
A06B-0372-B571#7076	SVMTR 1-OSP 40KINC/SR ST/K S67	\$3,093	A06B-0374-B571#7008	SV MTR 0S/3000 40K ABS KEY	\$1,481
A06B-0372-B575#7000	SVMTR A2/2K 64KABS ST NKY	\$1,769	A06B-0374-B575#7000	SVMTR A2 5/3000 64KABS ST	\$1,643
A06B-0372-B575#7008	SVMTR A2/2K 64KABS ST/KY	\$1,769	A06B-0374-B575#7008	SVMTR A2 5/3000 64KABS ST/KY	\$1,455
A06B-0372-B577#7000	SVMTR A2/2K 64KINC ST NKY	\$1,170	A06B-0374-B576#7000	SVMTR A2 5 3K 64KABS+SC ST NKY	\$1,643
A06B-0372-B577#7008	A2S/2000 I64	\$1,169	A06B-0374-B577#7000	SVMTR 0S	\$1,414
A06B-0372-B588#7075	SVMTR A2/2K 64KABS ST IP67	\$2,907	A06B-0374-B577#7008	SVMTR A2 5 3K 64KINC ST/KY	\$1,414
A06B-0372-B610#7000	SVMTR 1-OSP 10KINC ST BRK	\$3,242	A06B-0374-B577#7076	SVR ALPHA 2.5/3000, ST W/KEY	\$2,230
A06B-0372-B610#7008	SVMTR 1-OSP 10KINC ST/K BRK	\$3,242	A06B-0374-B588#7076	SVMTR A2 5/3000 A1000 ST/K IP67	\$2,338
A06B-0372-B669#7008	SVMTR 1-OSP 1MMABS/SR ST/K BRK	\$3,793	A06B-0374-B610#7000	SVMTR 0-OSP 10K/INC BRK ST	\$2,931
A06B-0372-B669#7076	SVMTR 1-OSP 3K 1MM ST BRK IP67	\$4,725	A06B-0374-B642#7075	SV MTR 0-OSP 2.5KABS BRK IP67	\$3,808
A06B-0372-B671#7000	SVMTR 1-OSP 40KINC/SR ST BRK	\$3,242	A06B-0374-B669#7000	SV MTR 0-OSP BRK 1MMABS	\$3,146
A06B-0372-B671#7008	SVMTR 1-OSP 40KINC/SR ST/K BRK	\$3,242	A06B-0374-B669#7075	SV MTR 0-OSP BRK 1MMABS IP67	\$3,808
A06B-0372-B671#7000	SVMTR A2/2000 I64 ST BRK	\$2,389	A06B-0374-B669#7076	SVMTR 0-OSP 1MM ST KY BRK IP67	\$3,808
A06B-0372-B677#7008	SVMTR A2/2000 64KINC ST/KY BRK	\$2,389	A06B-0374-B669#C075	SVMTR 0-OSP BK 1MMABS IP67 CSA	\$3,846
A06B-0373-B010#7000	SVMTR 1-OSP/3000 10KINC TP/K	\$1,389	A06B-0374-B671#7000	SVMTR 0-OSP 40K/INC	\$3,220
A06B-0373-B010#7075	SVMTR 1-OSP/3000 10KINC T/K 67	\$2,206	A06B-0374-B675#7008	SVMTR A2 5/2K 64A ST/K BRK	\$2,675
A06B-0373-B033#7000	SVMTR 1-OSP/3000 3KABS TP/K	\$1,873	A06B-0374-B677#7000	SVMTR A2 5/3000 I64 BRK ST	\$2,471
A06B-0373-B041#7000	SVMTR 1-OSP/3000 2KABS TP/K	\$1,873	A06B-0374-B677#7008	SVMTR A2 5/2K 64KINC ST/K BRK	\$2,471
A06B-0373-B041#7075	SVMTR 1-OSP/3000 2KABS TP/K SL	\$2,689	A06B-0374-B675#7075	SVMTR AM2/3000 A64 ST NKY IP67	\$2,206
A06B-0373-B043#7000	SVMTR 1-OSP/3000 3KABS TP/K	\$1,873	A06B-0376-B576#7000	SVMTR AM2/3000 A64+SC ST NKY	\$1,676
A06B-0373-B043#7075	SVMTR 1-OSP/3K 3KABS TP/K IP67	\$2,689	A06B-0376-B576#7008	SVMTR AM2/3000 A64+SC ST/KY	\$1,676
A06B-0373-B069#7000	SVMTR 1-OSP/3000 1MMABS/S T/K	\$1,873	A06B-0376-B675#7075	SERVO MOTOR	\$3,851
A06B-0373-B069#7075	SVMTR 1-OSP/3000 1MMAB/SR T/KS	\$2,689	A06B-0377-B075#7000	SVMTR AM2 5/3000 TP	\$1,689
A06B-0373-B071#7000	SVMTR 1-OSP/3000 40KINC/SR TP/	\$1,389	A06B-0377-B575#7075	SVMTR AM2 5/3000 ST IP67	\$2,218
A06B-0373-B075#7000	SVMTR A2/3K 64KABS TP	\$1,550	A06B-0377-B575#7076	SVMTR AM2 5/3K ST KY IP67	\$2,218
A06B-0373-B076#7000	SVMTR A2/3K 64KABS+SC TP	\$1,550	A06B-0377-B577#7008	SVMTR AM2 5/3000 ST KY	\$1,459
A06B-0373-B076#7075	A2 SERVO MOTOR	\$2,366	A06B-0377-B675#7075	AC MOTOR M2 5B/3000	\$3,437
A06B-0373-B077#7000	SVMTR A2 3K 64KINC TP KY	\$1,170	A06B-0377-B677#7008	SVMTR AM2 5/3K ST KY BRK	\$2,837
A06B-0373-B077#7075	SVMTR A2 3K 64KINC TP IP67	\$1,891	A06B-0381-B102#7000	SVMTR 0T/3000 250K/SR 25MM	\$5,324
A06B-0373-B088#7000	SVMTR A2 3K 1MABS TP KY	\$1,533	A06B-0382-B102#7000	SVMTR 5T/2000 250K/SR 54MM	\$5,778
A06B-0373-B088#7075	A2/3K A1000 TP/KY IP67	\$2,547	A06B-0382-B113#7000	SVMTR A5T/2K 1MM ABS	\$10,511
A06B-0373-B089#7000	SVMTR A2/3K TP 1MABS+SC	\$1,792	A06B-0382-B602#7000	SVMTR 5T/2000 250K/SR 32MM BRK	\$8,024
A06B-0373-B110#7000	SVMTR 1-OSP/3000 10KINC TP/K B	\$2,840	A06B-0384-B002#7000	SVMTR 10T/2000 250K/SR 54MM	\$6,419
A06B-0373-B169#7000	SVMTR 1-OSP/3000 1MMABS/SR TP/	\$3,073	A06B-0384-B013#7000	SVMTR A10T/2K 1MM ABS	\$13,881
A06B-0373-B171#7000	SVMTR 1-OSP/3000 40KINC/SR TP/	\$2,840	A06B-0384-B102#7000	SVMTR 10T/2000 250K/SR 40MM	\$6,419
A06B-0373-B175#7000	SVMTR A2/3000 64K TP BRK	\$2,591	A06B-0384-B502#7000	SVMTR 10T/2000 250K/SR 32MM BR	\$8,666
A06B-0373-B176#7000	SVMTR A2/3K 64KABS+SC TP BRK	\$2,591	A06B-0385-B102#7000	SVMTR 10T/3000 250K/SR 40MM	\$6,420
A06B-0373-B176#7075	SVMTR A2/3K 64KABS+SC TP BRK IP67	\$3,314	A06B-0390-B050#7088	SV MTR 30S/6000 5K INC KY	\$13,570
A06B-0373-B189#7000	SV MTR 1-OSP/3K TP BRK	\$2,947	A06B-0390-B060#7088	SVMTR 30S/6000 10K INC KY	\$13,127
A06B-0373-B510#7008	SV MTR 1-OSP/3000 10KINC ST/K	\$1,389	A06B-0394-B075#7000	SV MTR A64 (100 HP)	\$43,224
A06B-0373-B510#7075	SVMTR 1-OSP/3000 10KINC ST 67	\$2,206	A06B-0410-B901#7000	LINEAR MOTOR COIL 1500A	\$2,753
A06B-0373-B510#7076	SVMTR 1-OSP/3000 10KINC S/K 67	\$2,206	A06B-0410-B921#7000	LM MAGNET TRAK A MOTORS 240 MM	\$861
A06B-0373-B569#7000	SVMTR 1-OSP/3000 1MMABS/SR ST	\$1,873	A06B-0410-B931#7000	LM MAG TRAK A MOTORS 240 MM	\$672
A06B-0373-B569#7008	SVMTR 1-OSP 1MM ST/KY	\$1,873	A06B-0410-B932	LM MAG TRAK A MOTORS 420 MM	\$990
A06B-0373-B569#7076	SVMTR 1-OSP/3000 1MMABS/SR S/K	\$2,689	A06B-0410-B933	LM MAG TRAK A MOTORS 600 MM	\$1,270
A06B-0373-B571#7000	SVMTR 1-OSP/3000 40KINC SR/ST	\$1,389	A06B-0410-B934	LM MAG TRAK A MOTORS 960 MM	\$1,918
A06B-0373-B571#7008	SVMTR 1-OSP/3000 40KINC/SR ST/	\$1,389	A06B-0411-B802#7000	COIL	\$3,206
A06B-0373-B575#7008	SVMTR A2 3K 64KABS ST/KY	\$1,373	A06B-0411-B811#7000	3000B/4 LINEAR MOTOR COIL	\$3,206
A06B-0373-B575#7075	SVMTR A2/3K 64KABS ST IP67	\$2,517	A06B-0411-B901#7000	LINEAR MOTOR COIL 3000B	\$3,316
A06B-0373-B575#7076	SVMTR A2/3K 64KABS ST/KY IP67	\$2,094	A06B-0412-B811#7000	6000B/4 LN MTR COIL W/O MG TRK	\$4,308
A06B-0373-B576#7000	SVMTR A2/3000 A64+SC ST	\$1,372	A06B-0412-B901#7000	LINEAR MOTOR COIL 6000B	\$4,326
A06B-0373-B576#7008	SVMTR A2/3000 A64+SC ST/KY	\$1,372	A06B-0413-B811#7000	9000B/4 LN MTR COIL W/O MG TRK	\$5,275
A06B-0373-B576#7076	SVMTR A2/3K 64KABS+SC ST/KY IP67	\$2,366	A06B-0413-B901#7000	LINEAR MOTOR COIL 9000B	\$5,275
A06B-0373-B577#7000	SVMTR A2/3K 64KINC ST	\$1,169	A06B-0413-B921#7000	LM MAGNET TRAK B MOTORS 240 MM	\$1,477
A06B-0373-B577#7008	SVMTR A2 3K 64KINC ST/KY	\$1,170	A06B-0413-B922#7000	LM MAGNET TRAK B MOTORS 420 MM	\$2,622
A06B-0373-B577#7075	SVMTR A2/3K 64KINC ST/NK IP67	\$1,891	A06B-0413-B923#7000	LM MAGNET TRAK B MOTORS 600 MM	\$3,770
A06B-0373-B577#7076	SVMTR A2/3K 64KINC ST/KY IP67	\$1,891	A06B-0413-B931#7000	LM MAG TRAK B MOTORS 240 MM	\$1,477
A06B-0373-B584#7008	SVMTR A2/3K 1MABS ST/KY	\$1,656	A06B-0413-B932#7000	LM MAG TRAK B MOTORS 420 MM	\$2,622
A06B-0373-B584#C076	USE A06B-0373-B588#C076 W/OUT	\$2,862	A06B-0413-B933#7000	LM MAG TRAK B MOTORS 600 MM	\$3,770
A06B-0373-B588#7008	SVMTR A2/3K 1MABS ST/KY	\$1,533	A06B-0413-B934#7000	LM MAG TRAK B MOTORS 960 MM	\$6,229
A06B-0373-B588#7075	SVMTR A2/3000	\$2,255	A06B-0413-B941	LINMAG TRAK B 240MM IMPROVED	\$1,476
A06B-0373-B588#7076	SVMTR A2/3K 1MABS ST/KY IP67	\$2,675	A06B-0413-B942	LINMAG TRAK B 420MM IMPROVED	\$2,621
A06B-0373-B610#7008	SVMTR 1-OSP/3000 10KINC ST/K B	\$2,840	A06B-0413-B943	LINMAG TRAK B 600MM IMPROVED	\$3,769
A06B-0373-B669#7008	SVMTR 1-OSP/3000 1MMABS/SR S/K	\$3,073	A06B-0413-B944	LINMAG TRAK B 960MM IMPROVED	\$6,229
A06B-0373-B671#7000	SVMTR 1-OSP/3000 40KINC/SR S B	\$2,840	A06B-0414-B811#7000	15000C/3 LN MTR COIL W/O MGTRK	\$7,484
A06B-0373-B671#7008	SVMTR 1-OSP/3000 40KINC/SR S/K	\$2,840	A06B-0414-B901#7000	15000C LN MTR COIL W/O MAG TRK	\$7,484
A06B-0373-B675#7000	SVMTR A2S/3000 A64	\$2,591	A06B-0414-B921#7000	LM MAG TRAK C MOTORS 240 MM	\$1,316
A06B-0373-B675#7008	SVMTR A2/3K 64KABS ST/KY BRK	\$2,591	A06B-0414-B922#7000	LM MAG TRAK C MOTORS 420 MM	\$1,998
A06B-0373-B675#7075	SVMTR A2/3K 64KABS ST BRK	\$3,413	A06B-0414-B923	MAGNET 600MM C-WIDTH	\$2,742

RENEWAL PARTS  
PRICING

D-34



Part Number	Description	Price	Part Number	Description	Price
A06B-0414-B923#7000	LM MAG TRAK C MOTORS 600 MM	\$2,742	A06B-0502-B074#7076	SVMTR 20S 40KINC/SR ST/K SL67	\$3,980
A06B-0414-B924	MAGNET 960MM C-WIDTH	\$4,236	A06B-0502-B081#7000	SVMTR 20S 10KINC ST	\$3,711
A06B-0414-B924#7000	LM MAG TRAK C MOTORS 960 MM	\$4,236	A06B-0502-B081#7008	SVMTR 20S 10KINC ST/K	\$3,711
A06B-0422-B801#7000	LINMTR COIL 600D/4 W/O MAG TRK	\$1,578	A06B-0502-B081#7075	SVMTR 20S 10KINC ST SL67	\$4,372
A06B-0423-B801#7000	SVMTR LINEAR MTR COIL 900D/4	\$1,859	A06B-0502-B081#7076	SVMTR 20S 10KINC ST/K SL67	\$4,372
A06B-0423-B933	LINMAG TRAK D 120MM	\$385	A06B-0502-B204#7000	SVMTR 20S 2KINC ST BRK	\$5,157
A06B-0440-B215#0000	MAG PLATE LM B1,420MM	\$990	A06B-0502-B204#7008	SVMTR 20S 2KINC ST/K BRK	\$4,495
A06B-0440-B217#0000	MAG PLATE LM B1,600MM	\$1,270	A06B-0502-B205#7000	SVMTR 20S 2.5KINC ST BRK	\$4,495
A06B-0440-B225#0000	MAG PLATE LM B2,420MM	\$1,538	A06B-0502-B205#7008	SVMTR 20S 2.5KINC ST/K BRK	\$4,495
A06B-0440-B227#0000	MAG PLATE LM B2,600MM	\$2,009	A06B-0502-B205#7075	SVMTR 20S ST BK 2.5KINC IP67	\$5,157
A06B-0444-B210#0000	LM COIL SLIDER L1500B1/4IS	\$2,437	A06B-0502-B206#7000	SVMTR 20S 3KINC ST BRK	\$4,495
A06B-0445-B210#0000	LM COIL SLIDER L3000B2/4IS	\$3,206	A06B-0502-B206#7008	SVMTR 20S 3KINC ST/K BRK	\$4,495
A06B-0501-B004#7000	SVMTR 10 2KINC ST	\$2,568	A06B-0502-B206#7075	SVMTR 20S 3KINC ST BRK IP67	\$5,157
A06B-0501-B004#7008	SVMTR 10 2KIC ST/K	\$2,568	A06B-0502-B206#7076	SVMTR 20S 3KINC ST BK KY IP67	\$5,157
A06B-0501-B004#7076	SVMTR 10 2KINC ST/K IP67	\$3,291	A06B-0502-B210#7000	SVMTR 20S 10KINC ST BRK	\$4,495
A06B-0501-B005#7000	SVMTR 10 2.5KINC ST	\$2,568	A06B-0502-B210#7008	SVMTR 20S 10KINC ST/K BRK	\$4,495
A06B-0501-B005#7008	SVMTR 10 2.5KINC ST/K	\$2,568	A06B-0502-B232#7075	SV MTR 20S 2.5KABS ST BRK IP67	\$5,549
A06B-0501-B005#7076	SV MTR 10 2.5KINC ST KY IP67	\$3,291	A06B-0502-B241#7000	SVMTR 20S 2KABS ST BRK	\$5,132
A06B-0501-B006#7000	SVMTR 10 3KINC ST	\$2,568	A06B-0502-B242#7000	SVMTR 20S 2.5KABS ST BRK	\$4,684
A06B-0501-B006#7008	SVMTR 10 3KINC ST/K	\$2,568	A06B-0502-B242#7008	SVMTR 20S 2.5KABS ST/K BRK	\$4,888
A06B-0501-B006#7073	ACMTR 10 3K	\$2,568	A06B-0502-B242#7075	SVMTR 20S 2.5KA ST NKY BK IP67	\$5,549
A06B-0501-B043#7000	SVMTR 10 3KABS ST	\$3,122	A06B-0502-B242#7076	SV MTR 20S 2.5KABS ST/K BRK 67	\$5,549
A06B-0501-B065#7000	SV MTR 10	\$2,996	A06B-0502-B243#7000	SVMTR 20S 3KABS ST BRK	\$5,623
A06B-0501-B065#7008	SV MTR 10 KEYWAY	\$2,996	A06B-0502-B243#7008	SVMTR 20S 3KABS ST/K BRK	\$4,888
A06B-0501-B081#7000	SV MTR 10 10KINC ST	\$3,122	A06B-0502-B267#7000	SVMTR 20S 25KINC/HS ST BRK	\$4,888
A06B-0501-B201#7073	SV MTR 10 2KINC STR/SPKEY BRK	\$3,852	A06B-0502-B268#7008	SVMTR 20S 30KINC/HS ST/K BRK	\$4,888
A06B-0501-B204#7008	SVMTR 10 2KINC ST/K BRK	\$3,852	A06B-0502-B272#7000	SVMTR 20S 1MMABS/SR ST BRK	\$3,220
A06B-0501-B204#7073	svmtr	\$3,851	A06B-0502-B272#7008	SVMTR 20S 1MM ST KY BRK	\$4,888
A06B-0501-B205#7008	SVMTR 10 2.5KINC ST/K BRK	\$3,852	A06B-0502-B272#7062	SVMTR 20S 1MMABS/SR ST BRK SP	\$4,888
A06B-0501-B205#7076	SVMTR 10 2.5KINC ST/K BRK IP67	\$4,569	A06B-0502-B272#7075	SV MTR 20S 1MMABS BRK ST IP67	\$5,549
A06B-0501-B206#7000	SVMTR 10 3KINC ST BRK	\$3,906	A06B-0502-B272#7076	SVMTR 20S 1MMABS BK ST/K IP67	\$5,549
A06B-0501-B206#7008	SVMTR 10 3KINC S/K BRK	\$3,906	A06B-0502-B274#7000	SVMTR 20S 40KINC/SR ST BRK	\$4,716
A06B-0501-B206#7073	SVMTR 10 3KINC ST BRK SEALED	\$3,851	A06B-0502-B274#7008	SVMTR 20S 40KINC/SR ST/K BRK	\$4,495
A06B-0501-B504#7000	SVMTR 10 2KINC TP/K	\$3,156	A06B-0502-B274#7008	SVMTR 20S 40KINC/SR ST/K BRK	\$5,623
A06B-0501-B505#7000	SVMTR 10 2.5KINC TP/K	\$3,156	A06B-0502-B304#7008	SVMTR 20S 2KINC ST/K BRK	\$4,495
A06B-0501-B506#7000	SVMTR 10 3KINC TP/K	\$3,156	A06B-0502-B304#7076	SVMTR 20S ST/K HD B 2KINC IP67	\$5,157
A06B-0501-B704#7000	SVMTR 10 2KINC TP/K BRK	\$5,136	A06B-0502-B304#7081	SV MTR 20S 2KPPR 32MM SHT BRK	\$4,495
A06B-0502-B001#7008	SVMTR 20S 2KINC ST/K	\$3,465	A06B-0502-B305#7008	SVMTR 20S 2.5KINC ST/K BRK	\$4,495
A06B-0502-B002#7065	SV MTR 20S 2.5KINC STR SL65	\$4,185	A06B-0502-B342#7076	SVMTR 20S ST/K BK 2.5KABS IP67	\$6,286
A06B-0502-B002#7076	SV MTR 20S 2.5KINC ST/K SL67	\$3,980	A06B-0502-B362#7008	SVMTR 20S 12KINC ST/K BRK	\$4,888
A06B-0502-B004#7000	SVMTR 20S 2KINC ST	\$3,319	A06B-0502-B372#7008	SVMTR 20S 1MMABS/SR ST/K BRK	\$4,888
A06B-0502-B004#7008	SVMTR 20S 2KINC ST/K	\$3,319	A06B-0502-B372#7076	SVMTR 20S 1MMABS/SR ST/K BR 67	\$5,549
A06B-0502-B004#7076	SVMTR 20S 2KINC ST/K SL67	\$3,980	A06B-0502-B374#7000	SVMTR 20S 40KINC/SR ST BRK	\$4,495
A06B-0502-B005#7000	SVMTR 20S 2.5KINC ST	\$3,319	A06B-0502-B374#7008	SVMTR 20S 40KINC/SR ST/K BRK	\$4,495
A06B-0502-B005#7008	SVMTR 20S 2.5KINC ST/K	\$3,319	A06B-0502-B501#7008	AC MOTOR 20S W/2K INC FB W/KEY	\$4,348
A06B-0502-B005#7075	SVMTR 20S 2.5KINC ST/K SL67	\$3,980	A06B-0502-B503#7008	SV MTR 20	\$2,451
A06B-0502-B005#7076	SVMTR 20S 2.5KINC ST/K SL67	\$3,980	A06B-0502-B504#7000	SVMTR 20S 2KINC TP/K	\$3,319
A06B-0502-B006#7000	SVMTR 20S 3KINC ST	\$3,319	A06B-0502-B505#7000	SVMTR 20S 2.5KINC TP/K	\$3,319
A06B-0502-B006#7008	SVMTR 20S 3KINC ST/K	\$3,319	A06B-0502-B510#7000	SVMTR 20S 10KINC TP/K	\$3,319
A06B-0502-B006#7073	SVMTR 20S 3KINC KEY + V-KEY	\$3,319	A06B-0502-B561#7008	AC MOTOR 20S W/KEYWAY	\$4,250
A06B-0502-B006#7075	SVMTR 20S 3KINC ST/K SL67	\$3,980	A06B-0502-B574#7000	SVMTR 20S 40KINC/SR TP/K	\$3,319
A06B-0502-B006#7076	SVMTR 20S 3KINC ST/K SL67	\$3,980	A06B-0502-B751#7000	SVMTR 20S 2KABS TP BRK	\$4,888
A06B-0502-B010#7000	SVMTR 20S 10KINC ST	\$3,319	A06B-0502-B872#7000	SVMTR 20S 1MMABS/SR TP/K BRK	\$4,888
A06B-0502-B010#7008	SVMTR 20S 10KINC ST/K	\$3,319	A06B-0503-B004#7000	SVMTR 30 2KINC ST	\$3,638
A06B-0502-B031#7000	SVMTR 20S 2KABS ST	\$3,711	A06B-0503-B004#7008	SVMTR 30 2KINC ST/K	\$3,638
A06B-0502-B031#7008	SVMTR 20S 2KABS K	\$4,054	A06B-0503-B005#7000	SVMTR 30 2.5KINC ST	\$3,638
A06B-0502-B041#7076	SVMTR 20S 2KABS ST/K SL67	\$4,372	A06B-0503-B005#7008	SVMTR 30 2.5KINC ST/K	\$3,638
A06B-0502-B042#7000	SVMTR 20S 2.5KABS ST	\$3,711	A06B-0503-B006#7000	SVMTR 30 3KINC ST	\$3,711
A06B-0502-B042#7008	SVMTR 20S 2.5KABS ST/K	\$3,711	A06B-0503-B006#7008	SVMTR 30 3KINC ST/K	\$3,638
A06B-0502-B042#7075	SVMTR 20S 2.5KABS ST/K SL67	\$4,372	A06B-0503-B032#7000	SVMTR 30 2.5K ABS	\$4,065
A06B-0502-B042#7076	SVMTR 20S 2.5KABS ST/K SL67	\$4,372	A06B-0503-B041#7000	SVMTR 30 2KABS ST	\$4,065
A06B-0502-B043#7000	SVMTR 20S 3KABS ST	\$3,882	A06B-0503-B042#7000	SVMTR 30 2.5KABS ST	\$4,065
A06B-0502-B052#7008	AC MOTOR 20S 2.5k W/KEYWAY	\$3,711	A06B-0503-B051#7000	SV MTR 20S/1500 10KINC ST	\$4,716
A06B-0502-B061#7000	SV MTR 20S 10KINC ST	\$3,857	A06B-0503-B061#7000	SVMTR 20S/1500 10KINC ST	\$4,103
A06B-0502-B062#7000	SVMTR 20S 12KINC ST	\$3,711	A06B-0503-B081#7000	SV MTR 30 10KINC ST	\$4,065
A06B-0502-B062#7008	SVMTR 20S 12KINC ST/K	\$3,711	A06B-0503-B204#7008	SVMTR 30 2KINC ST/K BRK	\$4,922
A06B-0502-B062#7075	SVMTR 20S 12KINC ST/K SL67	\$4,372	A06B-0503-B205#7000	SVMTR 30 2.5KINC ST BRK	\$4,922
A06B-0502-B062#7076	SVMTR 20S 12KINC ST/K SL67	\$4,372	A06B-0503-B205#7008	SVMTR 30 2.5KINC ST/K BRK	\$4,922
A06B-0502-B065#7000	SVMTR 20S 25KINC ST	\$3,711	A06B-0503-B301#7008	SVMTR 30 2KINC BRK/FAN KEY	\$5,243
A06B-0502-B065#7008	SVMTR 20S 25KINC ST KEY	\$3,711	A06B-0503-B304#7000	SVMTR 30 2KINC BRK/FAN	\$5,243
A06B-0502-B065#7076	SVMTR 20S 25KINC ST/K SL67	\$4,372	A06B-0504-B074#7000	SVMTR 10S/1500 40KINC ST	\$1,919
A06B-0502-B067#7000	SVMTR 20S 25KINC/HS ST	\$3,711	A06B-0504-B574#7000	SVMTR 10S/1500 40KINC TP	\$1,919
A06B-0502-B067#7076	SVMTR 20S 25KINC/HS ST/K SL67	\$4,372	A06B-0504-B774#7000	SVMTR 10S/1500 40KINC TP BRK	\$2,886
A06B-0502-B068#7000	SVMTR 20S 30KINC/HS ST	\$3,711	A06B-0505-B002#7000	SVMTR 20S/1500 2.5KINC ST	\$2,961
A06B-0502-B068#7008	SVMTR 20S 30KINC/HS ST/K	\$3,711	A06B-0505-B004#7000	SVMTR 20S/1500 2KINC ST	\$2,926
A06B-0502-B071#7000	SVMTR 20S 40KINC/SR ST	\$3,319	A06B-0505-B004#7008	SVMTR 20S/1500 2KINC ST/K	\$2,926
A06B-0502-B072#7000	SVMTR 20S 1MMABS/SR ST	\$3,711	A06B-0505-B005#1001	SVMTR 20S/1500 2.5KINC ST	\$2,926
A06B-0502-B072#7008	SVMTR 20S 1MMABS/SR ST/K	\$3,711	A06B-0505-B005#7000	SVMTR 20S/1500 2.5KINC ST	\$3,343
A06B-0502-B072#7062	SVMTR SPECIAL	\$3,852	A06B-0505-B005#7008	SVMTR 20S/1500 2.5KINC ST/K	\$2,926
A06B-0502-B072#7075	SVMTR 20S 1MMABS/SR ST KY IP67	\$4,372	A06B-0505-B005#7076	SVMTR 20S/1500 2.5KINC ST/K	\$4,005
A06B-0502-B072#7076	SVMTR 20S 1MMABS/SR ST/K SL67	\$4,372	A06B-0505-B006#7000	SVMTR 20S/1500 3KINC ST	\$2,926
A06B-0502-B074#7000	SVMTR 20S 40KINC/SR ST	\$3,319	A06B-0505-B006#7008	SVMTR 20S/1500 3KINC ST/K	\$2,926
A06B-0502-B074#7008	SVMTR 20S 40KINC/SR ST/K	\$3,319	A06B-0505-B006#7075	SVMTR 20S/1500 3KINC ST/K SL67	\$3,588
A06B-0502-B074#7075	SVMTR 20S 40KINC/SR ST/K SL67	\$3,980	A06B-0505-B006#7076	SVMTR 20S/1500 3KINC ST/K SL67	\$3,588

RENEWAL PARTS  
PRICING

D-35

# A06B-0505-B010#7000

Part Number	Description	Price	Part Number	Description	Price
A06B-0505-B010#7000	SVMTR 20S/1500 10KINC ST	\$2,926	A06B-0512-B506#7073	SV MTR 5 3KINC ST SPECIAL KEY	\$2,246
A06B-0505-B010#7008	SVMTR 20S/1500 10KINC ST/K	\$2,926	A06B-0512-B506#7073#D	SV MTR 5 3KINC ST SPECIAL KEY IP67	\$3,097
A06B-0505-B010#7075	SVMTR 20S/1500 10KINC ST/K IP	\$3,588	A06B-0512-B604#7008	SVMTR 5 2KINC ST/K BRK	\$4,213
A06B-0505-B041#7075	SVMTR 20S/1500 2KABS ST/K SL67	\$3,980	A06B-0512-B704#7008	SVMTR 5 2KINC ST/K BRK	\$3,532
A06B-0505-B042#7000	SVMTR 20S/1500 2.5KABS ST NKY	\$3,319	A06B-0513-B004#7000	SVMTR 0 2KINC TP/K	\$1,820
A06B-0505-B042#7008	SVMTR 20S/1500 2.5KABS ST/K	\$3,319	A06B-0513-B005#7000	SVMTR 0 2.5KINC TP/K	\$1,820
A06B-0505-B042#7075	SVMTR 20S/1500 2.5KABS ST/K SL	\$3,980	A06B-0513-B006#7000	SVMTR 0 3KINC TP/K	\$1,820
A06B-0505-B043#7008	SVMTR 20S/1500 3KABS ST/K	\$3,319	A06B-0513-B041#7000	SVMTR 0 2KABS TP/K	\$2,246
A06B-0505-B043#7060	SVMTR AC MOTOR 20S/1500 W/SEAL CONNECTOR	\$3,319	A06B-0513-B042#7000	SVMTR 0 2.5KABS TP/K	\$2,246
A06B-0505-B062#7000	SVMTR 20S/1500 12KINC ST	\$3,785	A06B-0513-B204#7000	SVMTR 0 2KINC TP/K BRK	\$2,980
A06B-0505-B062#7008	SVMTR 20S/1500 12KINC ST/K	\$3,319	A06B-0513-B501#7000	SVMTR 0 2KINC ST	\$2,218
A06B-0505-B063#7008	SVMTR 20S/1500 15KINC ST/K	\$3,785	A06B-0513-B502#7000	SVMTR 0 2.5KINC ST	\$1,820
A06B-0505-B065#7000	SVMTR 20S/1500 25KINC ST	\$3,785	A06B-0513-B504#7000	SVMTR 0 2KINC	\$1,819
A06B-0505-B072#7000	SVMTR 20S/1500 1MMABS/SR ST	\$3,465	A06B-0513-B504#7008	SVMTR 0 2KINC ST/K	\$1,820
A06B-0505-B072#7008	SVMTR 20S/1500 1MMABS/SR ST/K	\$3,465	A06B-0513-B505#7000	SVMTR 0 2.5KINC ST	\$1,820
A06B-0505-B074#7008	SVMTR 20S/1500 40KINC/SR ST/K	\$2,926	A06B-0513-B505#7008	SVMTR 0 2.5KINC ST/K	\$1,820
A06B-0505-B081#7000	SVMTR 20S/1500 10KINC ST	\$3,319	A06B-0513-B506#7008	SVMTR 0 3KINC ST/K	\$1,820
A06B-0505-B081#7008	SVMTR 20S/1500 10KINC ST/K	\$3,319	A06B-0513-B704#7008	SVMTR 0 2KINC ST/K BRK	\$3,825
A06B-0505-B081#7075	SVMTR 20S/1500 10KINC ST SL67	\$3,980	A06B-0514-B002#7000	SVMTR 5S/3000 2.5K INC ST	\$1,445
A06B-0505-B081#7076	SVMTR 20S/1500 10KINC ST/K 67	\$3,980	A06B-0514-B003#7000	USE A06B-0514-B006#7000 W/OUT	\$1,632
A06B-0505-B202#7000	SVMTR 20S/1500 2.5KINC ST BRK	\$4,103	A06B-0514-B004#7000	SVMTR 5S/3000 2KINC TP/K	\$1,445
A06B-0505-B204#7008	SVMTR 20S/1500 2KINC ST/K BRK	\$4,103	A06B-0514-B004#7075	SVMTR 5S/3000 2KINC TP/K SL67	\$2,167
A06B-0505-B205#7000	SVMTR 20S/1500 2.5KINC ST BRK	\$4,103	A06B-0514-B005#7000	SVMTR 5S/3000 2.5KINC TP/K	\$1,445
A06B-0505-B205#7008	SVMTR 20S/1500 2.5KINC ST/K BR	\$4,299	A06B-0514-B006#7000	SVMTR 5S/3000 3KINC TP/K	\$1,444
A06B-0505-B206#7000	SVMTR 20S/1500 3KINC ST BRK	\$4,299	A06B-0514-B042#7000	SVMTR 5S/3000 2.5KABS TP/K	\$2,115
A06B-0505-B206#7008	SVMTR 20S/1500 3KINC ST/K BRK	\$4,299	A06B-0514-B067#7000	SVMTR 5S/3000 25KINC/HS TP/K	\$1,873
A06B-0505-B210#7000	SVMTR 20S/1500 10KINC ST BRK	\$4,103	A06B-0514-B072#7000	SVMTR 5S/3K 1MMABS/SR TP/K	\$1,873
A06B-0505-B210#7008	SVMTR 20S/1500 10KINC ST/K BRK	\$4,103	A06B-0514-B072#7075	SVMTR 5S/3000 1MMABS/SR TP/K S	\$2,931
A06B-0505-B242#7000	AC MOTOR 20SB/1500	\$4,495	A06B-0514-B074#7000	SVMTR 5S/3000 40KINC/SR TP/K	\$1,445
A06B-0505-B242#7075	SVMTR 20S/1 5K S B 2.5KAB IP67	\$5,157	A06B-0514-B081#7000	SVMTR 5S/3000 10KINC TP/K	\$1,873
A06B-0505-B274#7008	SVMTR 20S/1500 40KINC/SR S/K B	\$4,103	A06B-0514-B106#7000	SVMTR 5S/3000 3KINC TP/K BRK	\$2,728
A06B-0505-B281#7000	SVMTR 20S/1500 10KINC ST BRK	\$4,495	A06B-0514-B143#7000	SVMTR 5S/3000 3KABS TP/K BRK	\$3,269
A06B-0505-B281#7008	SVMTR 20S/1500 10KINC ST/K BRK	\$4,495	A06B-0514-B172#7000	SVMTR 5S/3000 1MMABS/SR T/K B	\$3,156
A06B-0505-B362#7008	SVMTR 20S/1500 12KINC ST/K BRK	\$4,495	A06B-0514-B174#7000	SVMTR 5S/3000 40KINC/SR T/K B	\$2,730
A06B-0505-B371#7008	SVMTR 20S/1500 40KINC/SR S/K B	\$4,103	A06B-0514-B502#7000	SVMTR 5S/3000 2.5K INC ST	\$1,445
A06B-0505-B374#7008	SVMTR 20S/1500 40KINC/SR S/K B	\$4,103	A06B-0514-B502#7076	SVMTR 5S/3000 2.5KINC ST/K SL6	\$2,167
A06B-0505-B381#7008	SVMTR 20S/1500 10KINC ST/K BRK	\$4,495	A06B-0514-B504#7000	SVMTR 5S/3000 2KINC ST	\$1,445
A06B-0505-B502#7000	SVMTR 20S/1500 2.5KINC TP/K	\$3,343	A06B-0514-B504#7008	SVMTR 5S/3000 2KINC ST/K	\$1,445
A06B-0506-B002#7000	USE A06B-0506-B005#7000 W/OUT	\$4,299	A06B-0514-B504#7074	SVMTR 5S/3000 2KINC ST/K	\$1,445
A06B-0506-B004#7000	SVMTR 30/2000 2KINC ST	\$4,065	A06B-0514-B504#7076	SVMTR 5S/3000 2KINC ST/K SL67	\$2,167
A06B-0506-B004#7008	SVMTR 30/2000 2KINC ST/K	\$4,065	A06B-0514-B504#7208	SVMTR 5S/3000 2KINC ST/K	\$1,444
A06B-0506-B004#7076	SVMTR 30/2000 2KINC ST/K IP67	\$4,787	A06B-0514-B504#7276	SVMTR 5S/3000 2KINC ST/K SL67	\$2,167
A06B-0506-B005#7000	SVMTR 30/2000 2.5KINC ST	\$4,065	A06B-0514-B505#7000	SVMTR 5S/3000 2.5KINC ST	\$1,445
A06B-0506-B005#7008	SVMTR 30/2000 2.5KINC ST/K	\$4,065	A06B-0514-B505#7008	SVMTR 5S/3000 2.5KINC ST/K	\$1,445
A06B-0506-B006#7008	SVMTR 30/2000 3KINC ST/K	\$4,065	A06B-0514-B505#7076	SVMTR 5S/3000 2.5KINC ST/K SL6	\$2,167
A06B-0506-B051#7008	AC MOTOR 30 ABS 2.0K w/KEYWAY	\$4,495	A06B-0514-B505#7276	SVMTR 5S/3000 2.5KINC ST/K SL6	\$2,167
A06B-0506-B074#7008	SVMTR 30/2000 40KINC/SR ST/K	\$4,065	A06B-0514-B506#7000	SVMTR 5S/3000 3KINC ST	\$1,445
A06B-0506-B204#7000	SVMTR 30/2000 2KINC ST BRK	\$5,350	A06B-0514-B506#7008	SVMTR 5S/3000 3KINC ST/K	\$1,445
A06B-0506-B204#7008	SVMTR 30/2000 2KINC ST/K BRK	\$5,350	A06B-0514-B506#7076	SVMTR 5S/3000 3KINC ST/K SL67	\$2,167
A06B-0506-B205#7000	SVMTR 30/2000 2.5KINC ST BRK	\$5,350	A06B-0514-B506#7208	SVMTR 5S/3000 3KINC ST/K	\$1,444
A06B-0506-B205#7008	SVMTR 30/2000 2.5KINC ST/K BRK	\$5,350	A06B-0514-B510#7008	SVMTR 5S/3000 10KINC ST/K	\$1,444
A06B-0506-B274#7008	SVMTR 30/2000 40KINC/SR ST/K B	\$5,350	A06B-0514-B541#7008	SVMTR 5S/3000 2KABS ST/K	\$1,873
A06B-0506-B304#7000	SVMTR 30/2000 2KINC ST BRK	\$5,280	A06B-0514-B541#7076	SVMTR 5S/3000 2KABS ST/K SL67	\$3,370
A06B-0506-B306#7000	SVMTR 30/2000 3KINC ST BRK	\$5,350	A06B-0514-B542#7008	SVMTR 5S/3000 2.5KABS ST/K	\$1,873
A06B-0506-B306#7008	SVMTR 30/2000 3KINC ST/K BRK	\$5,350	A06B-0514-B543#7008	SVMTR 5S/3000 3KABS ST/K	\$1,873
A06B-0506-B372#7076	SVMTR 30S 1MM/SR BRK IP67	\$6,335	A06B-0514-B562#7000	SVMTR 5S/3000 12KINC ST	\$1,873
A06B-0506-B374#7000	SVMTR 30/2000 40KINC/SR ST BR	\$5,280	A06B-0514-B564#7008	SVMTR 5S/3000 20KINC ST/K	\$1,873
A06B-0506-B504#7000	SVMTR 30/2000 2KINC TP/K	\$3,319	A06B-0514-B565#7008	SVMTR 5S/3000 25KINC ST/K	\$1,873
A06B-0509-B203#7008	AC MOTOR 30/2000 3K BRAKE	\$2,772	A06B-0514-B566#7008	SVMTR 5S/3000 20KINC/HS ST/K	\$1,873
A06B-0512-B001#7008	AC MOTOR 5 (P)	\$2,246	A06B-0514-B566#7076	SVMTR 5S/3000 20KINC/HS ST/K S	\$2,595
A06B-0512-B002#7008	SV MTR 5 INC (2500)	\$2,246	A06B-0514-B566#7208	SVMTR 5S/3000 20KINC/HS ST/K	\$1,873
A06B-0512-B004#7000	SVMTR 5 2KINC TP/K	\$2,246	A06B-0514-B566#7276	SVMTR 5S/3000 20KINC/HS ST/K S	\$2,595
A06B-0512-B004#7075	AC MOTOR 5	\$3,808	A06B-0514-B567#7076	SVMTR 5S/3000 25KINC/HS ST/K S	\$2,595
A06B-0512-B005#7000	SVMTR 5 2.5KINC TP/K	\$2,246	A06B-0514-B571#7008	USE A06B-0514-B574#7008 W/OUT	\$1,632
A06B-0512-B006#7000	SVMTR 5 3KINC TP/K	\$2,246	A06B-0514-B572#7000	SVMTR 5S/3000 1MMABS/SR ST	\$1,873
A06B-0512-B031#7000	SVMTR 5 2KABS TP/K	\$3,073	A06B-0514-B572#7008	SVMTR 5S/3000 1MMABS/SR ST/K	\$1,873
A06B-0512-B041#7000	SVMTR 5 2KABS TP/K	\$2,675	A06B-0514-B572#7076	SVMTR 5S/3000 1MMABS/SR ST/K S	\$2,595
A06B-0512-B042#7000	SVMTR 5 2.5KABS TP/K	\$2,675	A06B-0514-B574#7000	SVMTR 5S/3000 40KINC/SR ST	\$1,445
A06B-0512-B061#7000	USE A06B-0512-B081#7000 W/OUT	\$2,675	A06B-0514-B574#7008	SVMTR 5S/3000 40KINC/SR ST/K S	\$1,445
A06B-0512-B081#7000	SVMTR 5 10K HIRES	\$2,246	A06B-0514-B574#7076	SVMTR 5S/3000 40KINC/SR ST/K S	\$2,167
A06B-0512-B104#7000	SV MTR 5 2KINC TP/K B	\$3,532	A06B-0514-B581#7008	SVMTR 5S/3000 10KINC ST/K	\$1,873
A06B-0512-B204#7000	SVMTR 5 2KINC TP/K BRK	\$3,532	A06B-0514-B581#7076	SVMTR 5S/3000 10KINC ST/K SL67	\$2,595
A06B-0512-B204#7073	SVMTR 5 2KINC TP/K BRK	\$3,531	A06B-0514-B581#7208	SVMTR 5S/3000 10KINC ST/K	\$1,873
A06B-0512-B205#7000	SVMTR 5 2.5KINC TP/K BRK	\$3,532	A06B-0514-B581#7276	SVMTR 5S/3000 10KINC ST/K SL67	\$2,595
A06B-0512-B301#7000	SVMTR 5 2KABS BRK	\$3,532	A06B-0514-B604#7008	SVMTR 5S/3000 2KINC ST/K BRK	\$2,730
A06B-0512-B501#7008	AC MOTOR 5	\$2,659	A06B-0514-B604#7074	SVMTR 5S/3000 2KINC ST/K BRK	\$3,327
A06B-0512-B504#7000	SVMTR 5 2KINC ST	\$2,246	A06B-0514-B604#7208	SVMTR 5S/3000 2KINC ST/K BRK	\$2,730
A06B-0512-B504#7008	SVMTR 5 2KINC ST/K	\$2,246	A06B-0514-B605#7008	SVMTR 5S/3000 2.5KINC ST/K BRK	\$2,730
A06B-0512-B504#7073	SV MTR 5 2KINC STR/SPKEY	\$2,246	A06B-0514-B610#7008	SVMTR 5S/3000 10KINC ST/K BRK	\$3,156
A06B-0512-B504#7076	SVMTR 5 2KINC ST/K IP67	\$3,097	A06B-0514-B643#7008	SVMTR 5S/3000 3KABS ST/K BRK	\$3,156
A06B-0512-B505#7000	SVMTR 5 2.5KINC ST	\$2,538	A06B-0514-B664#7008	SVMTR 5S/3000 20KINC ST/K BRK	\$3,156
A06B-0512-B505#7008	SVMTR 5 2.5KINC ST/K	\$2,246	A06B-0514-B666#7008	SVMTR 5S/3000 20KINC/HS ST/K B	\$3,156
A06B-0512-B506#7000	SVMTR 5 3KINC ST	\$2,246	A06B-0514-B666#7208	SVMTR 5S/3000 20KINC/HS ST/K B	\$3,156
A06B-0512-B506#7008	SVMTR 5 3KINC ST KY	\$2,246	A06B-0514-B672#7008	SVMTR 5S/3000 1MMABS/SR ST/K B	\$3,156

RENEWAL PARTS  
PRICING

D-36



FANUC CNC Parts



Part Number	Description	Price	Part Number	Description	Price
A06B-0514-B672#7076	SVMTR 5S 3K 1MMABS ST KY BRK	\$3,879	A06B-0562-B175#7000	SVMTR AL6/3K 64KABS TP/KY	\$4,472
A06B-0514-B672#C008	SVMTR 5S/3K 1MMABS ST BRK CSA	\$3,197	A06B-0562-B175#7075	SVMTR AL6/3K 64KABS TP/KY IP67	\$4,545
A06B-0514-B674#7008	SVMTR 5S/3000 40KINC/SR ST/K B	\$2,730	A06B-0562-B177#7000	SVMTR AL6/3K 64KINC TP/KY	\$4,269
A06B-0514-B681#7008	SVMTR 5S/3000 10KINC ST/K BRK	\$3,156	A06B-0562-B177#7075	SVMTR AL6/3K 64KINC TP/KY IP67	\$4,991
A06B-0514-B681#7208	SVMTR 5S/3000 10KINC ST/K BRK	\$3,156	A06B-0562-B184#7000	SVMTR AL6 3K 1MABS TP BRK	\$4,756
A06B-0515-B574#7000	SVMTR OS/1500 40KINC ST	\$1,133	A06B-0562-B188#7000	SVMTR AL6/3K 1MABS TP/KY	\$4,788
A06B-0515-B574#7008	SVMTR OS/1500 40KINC ST/K	\$1,133	A06B-0562-B188#7075	SVMTR AL6/3K 1MABS TP/KY IP67	\$5,358
A06B-0515-B674#7000	SVMTR OS/1500 40KINC ST BRK	\$2,100	A06B-0562-B575#7008	SVMTR AL6 3K 64KABS ST KY	\$3,368
A06B-0516-B574#7000	SVMTR 5S/1500 40KINC ST	\$1,105	A06B-0562-B575#7076	SVMTR AL6/3K 64KABS ST/K IP67	\$4,020
A06B-0516-B674#7000	SVMTR 5S/1500 40KINC ST BRK	\$1,961	A06B-0562-B577#7008	SVMTR AL6/3K 64KINC ST/KY	\$3,171
A06B-0520-B574#7000	SVMTR 6S/1000 40KINC ST	\$1,597	A06B-0562-B577#7076	SVMTR AL6/3K 64KINC S/K IP67	\$3,833
A06B-0520-B674#7000	SVMTR 6S/1000 40KINC ST BRK	\$2,453	A06B-0562-B584#7008	SVMTR AL6 3K 1MABS ST KY	\$3,617
A06B-0521-B041#7000	SVMTR 2-0 2KINC TP/K	\$1,606	A06B-0562-B584#7076	SVMTR AL6 3K 1MABS ST/KY IP67	\$4,280
A06B-0521-B042#7000	SVMTR 2-0 2.5KINC TP/K	\$1,606	A06B-0562-B684#7008	SVMTR AL6 3K 1MABS ST/K BRK	\$5,068
A06B-0521-B043#7000	SVMTR 2-0 3KINC TP/K	\$1,606	A06B-0563-B001#7000	AC MOTOR 6L 2K	\$5,243
A06B-0521-B043#7008	SV MTR 2-0	\$1,606	A06B-0563-B001#7008	AC MOTOR 6L 2K	\$2,876
A06B-0521-B051#7000	SVMTR 2-0 2KABS TP/K	\$2,033	A06B-0563-B002#7000	AC MOTOR 6L 2.5K	\$5,942
A06B-0521-B052#7000	SVMTR 2-0 2.5KABS TP/K	\$2,659	A06B-0563-B003#7000	AC MOTOR 6L 3K	\$5,243
A06B-0521-B541#7008	SV MTR 2-0 2KINC ST/K	\$2,033	A06B-0563-B003#7008	SVMTR 6L KY	\$5,243
A06B-0521-B565#7008	SVMTR 2-0 KY	\$2,033	A06B-0564-B001#7000	USE A06B-0564-B004#7000 W/OUT	\$5,243
A06B-0522-B041#7000	SVMTR 1-0 2KINC TP/K	\$2,140	A06B-0564-B002#7000	USE A06B-0564-B005#7000 W/OUT	\$5,243
A06B-0522-B042#7000	SVMTR 1-0 2.5KINC TP/K	\$2,140	A06B-0564-B003#7000	USE A06B-0564-B006#7000 W/OUT	\$5,243
A06B-0522-B043#7000	SVMTR 1-0 3KINC TP/K	\$2,139	A06B-0564-B005#7000	SVMTR 6L 2.5K INC TP/K	\$4,601
A06B-0522-B541#7000	SVMTR 1-0 2KINC ST	\$2,139	A06B-0564-B006#7000	SVMTR 6L 3K INC TP/K	\$5,243
A06B-0522-B541#7008	SVMTR 1-0 2KINC ST/K	\$2,140	A06B-0564-B061#7000	SVMTR 6L 10KINC TP/K	\$5,671
A06B-0522-B542#7000	SVMTR 1-0 2.5K INC TP	\$2,659	A06B-0564-B062#7000	SVMTR 6L 12KINC TP/K	\$5,671
A06B-0522-B543#7000	SVMTR 1-0 3KINC ST	\$1,713	A06B-0564-B064#7000	SVMTR 6L 20KINC TP/K	\$5,671
A06B-0522-B543#7008	SVMTR 1-0 3KINC ST/K	\$1,713	A06B-0564-B074#7000	SVMTR 6L 40KINC/SR TP/K	\$5,243
A06B-0531-B001#7000	SVMTR 5-OS 1K INC PULSE CODER	\$1,208	A06B-0564-B075#7000	SVMTR AL9/3K 64KABS TP/KY	\$5,184
A06B-0531-B031#7000	SV MTR 5-OS 1K ABS PULSE CODER	\$2,060	A06B-0564-B075#7075	SVMTR AL9/3K 64KABS TP/KY IP67	\$5,907
A06B-0531-B069#7000	SVMTR 5-OS 30K SERIAL CODER	\$1,692	A06B-0564-B077#7000	SVMTR AL9/3K 64KINC TP/KY	\$4,981
A06B-0532-B001#7000	SV MTR 4-OS 2KINC ST	\$1,332	A06B-0564-B077#7075	SVMTR AL9/3K 64KINC TP/KY IP67	\$5,703
A06B-0532-B201#7000	SVMTR 4-OS 2KINC ST	\$1,451	A06B-0564-B081#7000	SVMTR 6L 10K INC TP/K	\$5,671
A06B-0532-B251#7000	SVMTR 4-OS 2KABS ST	\$2,060	A06B-0564-B084#7000	SVMTR AL9 3K 1MABS TP	\$5,388
A06B-0532-B272#7000	SVMTR 4-OS 1MMABS/SR ST	\$1,692	A06B-0564-B084#7075	SVMTR AL9 3K 1MABS TP IP67	\$6,050
A06B-0532-B274#7000	SVMTR 4-OS 40KINC/SR ST	\$1,208	A06B-0564-B088#7000	SVMTR AL9/3K 1MABS TP/KY	\$5,348
A06B-0532-B575#7000	SVMTR 4-OS A64 ST/KY	\$1,692	A06B-0564-B088#7075	SVMTR AL9/3K 1MABS TP/KY IP67	\$6,070
A06B-0532-K001	SV CNCTR 4-OS 3-OS PWR	\$27	A06B-0564-B175#7000	SVMTR AL9/3K 64KABS TP/KY	\$6,405
A06B-0533-B001#7000	SVMTR 3-OS 2KINC ST	\$1,435	A06B-0564-B175#7075	SVMTR AL9/3K 64KABS TP/KY IP67	\$7,126
A06B-0533-B201#7000	SVMTR 3-OS 2KINC ST	\$1,447	A06B-0564-B177#7000	SVMTR AL9/3K 64KINC TP/KY	\$6,201
A06B-0533-B251#7000	SVMTR 3-OS 2KABS ST	\$1,614	A06B-0564-B177#7075	SVMTR AL9/3K 64KINC TP/KY IP67	\$6,922
A06B-0533-B272#7000	SVMTR 3-OS 1MMABS/SR TP/K	\$1,614	A06B-0564-B184#7000	SVMTR AL9 3K 1MABS TP BRK	\$6,506
A06B-0533-B274#7000	SVMTR 3-OS 40KINC/SR ST	\$1,169	A06B-0564-B188#7000	SVMTR AL9/3K 1MABS TP/KY	\$6,567
A06B-0533-B574#7001	SVMTR 3-OS ST	\$1,836	A06B-0564-B188#7075	SVMTR AL9/3K 1MABS TP/KY IP67	\$7,288
A06B-0561-B001#7000	USE A06B-0561-B004#7000 W/OUT	\$2,782	A06B-0564-B575#7008	SVMTR AL9/3K 64KABS ST/KY	\$5,128
A06B-0561-B003#7000	USE A06B-0561-B006#7000 W/OUT	\$2,782	A06B-0564-B575#7076	SVMTR AL9/3K 64KABS S/K IP67	\$5,790
A06B-0561-B004#7000	SVMTR OL MOTOR	\$2,782	A06B-0564-B577#7008	SVMTR AL9/3K 64KINC ST/KY	\$4,941
A06B-0561-B061#7000	SVMTR OL 10KINC TP/K	\$3,211	A06B-0564-B577#7076	SVMTR AL9/3K 64KINC S/K IP67	\$5,604
A06B-0561-B072#7000	SVMTR OL 1MMABS/SR TP/K	\$3,211	A06B-0564-B584#7008	SVMTR AL9 3K 1MABS ST KY	\$5,388
A06B-0561-B075#7000	SVMTR AL3 3K 64KABS TP	\$2,846	A06B-0564-B584#7076	SVMTR AL9 3K 1MABS ST/K IP67	\$6,050
A06B-0561-B075#7075	SVMTR AL3 3K 64KABS TP IP67	\$3,646	A06B-0564-B684#7008	SVMTR AL9 3K 1MABS ST/K BRK	\$6,524
A06B-0561-B077#7000	SVMTR AL3 3K 64KINC TP	\$2,985	A06B-0566-B561#7008	SV MTR 10L 10K OIL COOLED	\$5,136
A06B-0561-B077#7075	SVMTR AL3 3K 64KINC TP IP67	\$3,460	A06B-0566-B566#7008	SV MTR OL LIQ CLD	\$5,136
A06B-0561-B081#7000	SVMTR OL 10K INC TP/K	\$3,416	A06B-0566-B766#7008	SVMTR OL LIQUID COOL / BRAKE	\$6,420
A06B-0561-B084#7000	SVMTR AL3 3K 1MABS TP	\$3,245	A06B-0571-B001#7000	SVMTR 7L 2KINC ST	\$8,345
A06B-0561-B084#7075	SVMTR AL3 3K 1MABS TP IP67	\$3,906	A06B-0571-B002#7000	SVMTR 7L 2.5KINC ST	\$8,345
A06B-0561-B175#7000	SVMTR AL3 3K 64KABS TP BRK	\$4,103	A06B-0571-B002#7008	SVMTR 7L 2.5KINC ST/K	\$8,345
A06B-0561-B177#7000	SVMTR AL3 3K 64KINC TP BRK	\$3,917	A06B-0571-B002#7076	SV MTR 7L 2.5K ENVR SEALED	\$9,068
A06B-0561-B184#7000	SVMTR AL3 3K 1MABS TP BRK	\$4,349	A06B-0571-B003#7000	SVMTR 7L 3KINC ST	\$8,345
A06B-0561-B188#7000	SVMTR AL3/3K 1MABS TP/KY	\$4,066	A06B-0571-B003#7064	SV MTR 7L	\$8,345
A06B-0561-B575#7008	SVMTR AL3 3K 64KABS ST KY	\$2,846	A06B-0571-B004#7000	SV MTR 7L 2K ST NKY	\$8,345
A06B-0561-B575#7076	SVMTR AL3 3K 64KABS ST/K IP67	\$3,646	A06B-0571-B004#7008	SVMTR 7L 2K INC ST/K	\$8,345
A06B-0561-B577#7008	SVMTR AL3 3K 64KINC ST KY	\$2,643	A06B-0571-B005#7000	SVMTR 7L 2.5K INC ST KY	\$7,917
A06B-0561-B577#7076	SVMTR AL3 3K 64KINC ST/K IP67	\$3,460	A06B-0571-B005#7008	SVMTR 7L 2.5K INC ST/K	\$7,917
A06B-0561-B584#7008	SVMTR AL3 3K 1MABS ST KY	\$3,245	A06B-0571-B006#7000	SVMTR 7L 3KINC ST/K	\$8,027
A06B-0561-B584#7076	SVMTR AL3 3K 1MABS ST/K IP67	\$3,906	A06B-0571-B006#7064	SV MTR 7L	\$8,345
A06B-0561-B675#7008	SVMTR AL3 3K 64KABS ST/K BRK	\$4,327	A06B-0571-B010#7000	SVMTR 7L 10K INC ST	\$8,774
A06B-0561-B677#7008	SVMTR AL3 3K 64KINC ST/K BRK	\$4,111	A06B-0571-B061#7000	SVMTR 7L 10KINC ST	\$8,774
A06B-0561-B684#7008	SVMTR AL3 3K 1MABS ST/K BRK	\$4,629	A06B-0571-B061#7008	SVMTR 7L 10KINC ST/K	\$8,774
A06B-0562-B001#7000	SVMTR 5L 2KINC TP/K	\$3,211	A06B-0571-B069#7008	SVMTR 7L 1MMABS/SR ST/K	\$8,774
A06B-0562-B002#7000	SVMTR 5L 2.5KINC TP/K	\$3,211	A06B-0571-B071#7008	USE A06B-0571-B074#7008 W/OUT	\$8,027
A06B-0562-B003#7000	SVMTR 5L 3KINC TP/K	\$3,211	A06B-0571-B072#7008	SVMTR 7L 1MMABS/SR ST/K	\$8,774
A06B-0562-B005#7000	SVMTR 5L 2.5K INC TP/K	\$2,568	A06B-0571-B074#7000	SV MTR 7L 40K SER	\$8,345
A06B-0562-B071#7000	SVMTR 5L 40KINC/SR TP/K	\$3,211	A06B-0571-B074#7008	SVMTR 7L 40KINC/SR ST/K	\$8,345
A06B-0562-B074#7000	SVMTR 5L 40KINC/SR TP/K	\$3,211	A06B-0571-B075#7000	SVMTR AL25 3K 64KABS TP	\$8,131
A06B-0562-B075#7000	SVMTR AL6/3K 64KABS TP/KY	\$3,253	A06B-0571-B075#7008	SVMTR AL25 3K 64KABS ST	\$8,131
A06B-0562-B075#7075	SVMTR AL6/3K 64KABS TP/KY IP67	\$3,975	A06B-0571-B075#7076	SVMTR AL25 3K 64KABS ST IP67	\$7,208
A06B-0562-B076#7000	AL6/3000 A64+SC	\$3,253	A06B-0571-B075#C075	SVMTR AL25 3K 64KA ST IP67 CSA	\$8,883
A06B-0562-B077#7000	SVMTR AL6/3K 64KINC TP/KY	\$3,049	A06B-0571-B075#C076	SVMTR AL25 3K 64KABS ST KY IP6	\$8,883
A06B-0562-B077#7075	SVMTR AL6/3K 64KINC TP/KY IP67	\$3,772	A06B-0571-B077#7000	SVMTR AL25 3K 64KINC ST	\$7,928
A06B-0562-B084#7000	SVMTR AL6 3K 1MABS TP	\$4,735	A06B-0571-B077#7008	SVMTR AL25/3K 64KINC ST/KY	\$7,928
A06B-0562-B084#7075	SVMTR AL6 3K 1MABS TP IP67	\$5,398	A06B-0571-B077#7064	SVMTR AL25 3K 64KINC SPECIAL	\$7,644
A06B-0562-B088#7000	SVMTR AL6/3K 1MABS TP/KY	\$4,636	A06B-0571-B077#7076	SVMTR AL25/3K 64KINC ST/K IP67	\$8,650
A06B-0562-B088#7075	SVMTR AL6/3K 1MABS TP/KY IP67	\$5,358	A06B-0571-B081#7008	SVMTR 7L 10K INC ST/K	\$8,425

RENEWAL PARTS  
PRICING

D-37



# A06B-0571-B084#7000

Part Number	Description	Price	Part Number	Description	Price
A06B-0571-B084#7000	SVMTR AL25 3K 1MABS ST	\$8,414	A06B-0583-B063#7008	SVMTR 40S 15KINC ST/K	\$5,869
A06B-0571-B084#7008	SVMTR AL25 3K 1MABS ST	\$8,090	A06B-0583-B064#7008	SV MTR 40S 20K INC	\$5,869
A06B-0571-B084#7076	SVMTR AL25 3K 1MABS ST IP67	\$8,753	A06B-0583-B065#7000	SVMTR 40S 25KINC ST	\$5,869
A06B-0571-B088#7008	SVMTR AL25/3K 1MABS ST/KY	\$8,295	A06B-0583-B065#7008	SVMTR 40S 25KINC ST/K	\$5,869
A06B-0571-B088#7076	SVMTR AL25/3K 1MABS ST/KY IP67	\$9,017	A06B-0583-B072#7000	SVMTR 40S 1MMABS/SR ST	\$5,869
A06B-0571-B375#7000	SVMTR AL25 3K 64KABS TP BRK	\$9,351	A06B-0583-B072#7008	SVMTR 40S 1MMABS/SR ST/K	\$5,869
A06B-0571-B375#7008	SVMTR AL25/3K 64KABS ST/KY BRK	\$9,351	A06B-0583-B074#7000	SVMTR 40S 40KINC/SR ST	\$5,476
A06B-0571-B375#7076	SVMTR AL25/3K 64KAB S/K B IP67	\$10,073	A06B-0583-B074#7008	SVMTR 40S 40KINC/SR ST/K	\$5,476
A06B-0571-B377#7000	SVMTR AL25 3K 64KINC TP BRK	\$9,147	A06B-0583-B081#7000	SVMTR 40S 10KINC ST	\$5,869
A06B-0571-B377#7008	SVMTR AL25 3K 64KI ST KY BRK	\$9,147	A06B-0583-B081#7008	SVMTR 40S 10KINC ST/K	\$5,869
A06B-0571-B377#7076	SVMTR AL25 3K 64KINC ST K B IP	\$9,870	A06B-0583-B304#7000	SVMTR 40S 2KINC ST BRK	\$6,653
A06B-0571-B384#7000	SVMTR AL25 3K 1MABS ST BRK	\$9,635	A06B-0583-B304#7008	SVMTR 40S 2KINC ST/K BRK	\$6,653
A06B-0571-B384#7008	SVMTR AL25 3K 1MABS ST BRK	\$9,208	A06B-0583-B305#7008	SVMTR 40S 2.5KINC ST/K BRK	\$6,653
A06B-0571-B384#7076	SVMTR AL25 3K 1MAS ST K B IP67	\$9,871	A06B-0583-B310#7008	SVMTR 40S 10KINC ST/K BRK	\$6,653
A06B-0571-B388#7008	SVMTR AL25/3K 1MABS ST/KY BRK	\$9,514	A06B-0583-B362#7008	SVMTR 40S 12KINC ST/K BRK	\$7,046
A06B-0571-B388#7076	SVMTR AL25/3K 1MAB ST/K B IP67	\$10,237	A06B-0583-B372#7000	SVMTR 40S 1MMABS/SR ST BRK	\$7,046
A06B-0572-B001#7000	SVMTR 10L 2KINC ST	\$8,988	A06B-0583-B372#7008	SV MTR 40S 1MMABS/SR ST/K BRK	\$7,046
A06B-0572-B001#7008	SVMTR 10L 2KINC ST/K	\$8,988	A06B-0583-B373#7000	SV MTR 40S BK SUPER CAP CODER	\$7,046
A06B-0572-B001#7064	SV MTR 10L	\$8,988	A06B-0583-B374#7008	SVMTR 40S 40KINC/SR ST/K BRK	\$6,653
A06B-0572-B002#7000	SVMTR 10L 2.5KINC ST	\$8,988	A06B-0583-B381#7008	SVMTR 40S 10KINC ST/K BRK	\$7,046
A06B-0572-B002#7008	SVMTR 10L 2.5KINC ST/K	\$8,988	A06B-0590-B002#7008	AC MOTOR 30S 2.5K W/KEYWAY	\$3,882
A06B-0572-B003#7064	SV MTR 10L 3KINC SPCL	\$8,988	A06B-0590-B004#7000	SVMTR 30S 2KINC ST	\$3,711
A06B-0572-B004#7000	SV MTR 10L 2KINC ST	\$8,988	A06B-0590-B004#7008	SVMTR 30S 2KINC ST/K	\$3,711
A06B-0572-B004#7008	SVMTR 10L 2K INC ST/K	\$8,988	A06B-0590-B004#7076	SVMTR 30S 2KINC ST/K SL67	\$4,372
A06B-0572-B004#7064	SVMTR 10L	\$8,988	A06B-0590-B005#7000	SVMTR 30S 2.5KINC ST	\$3,711
A06B-0572-B004#7074	SV MTR 10L	\$8,988	A06B-0590-B005#7008	SVMTR 30S 2.5KINC ST/K	\$3,711
A06B-0572-B005#7008	SVMTR 10L 2.5K INC ST/K	\$8,615	A06B-0590-B005#7076	SVMTR 30S 2.5KINC ST/K SL67	\$4,372
A06B-0572-B006#7000	SV MTR 10L 3KINC ST	\$8,988	A06B-0590-B006#7008	SVMTR 30S 3KINC ST/K	\$3,711
A06B-0572-B006#7008	SVMTR 10L 3K INC ST/K	\$8,987	A06B-0590-B006#7075	SVMTR 30S 3KINC ST/K SL67	\$4,372
A06B-0572-B006#7064	SVMTR 10L 3KINC SPCL	\$8,988	A06B-0590-B010#7000	SVMTR 30S 10KINC ST	\$3,711
A06B-0572-B006#7074	SV MTR 10L	\$8,988	A06B-0590-B010#7008	SVMTR 30S 10KINC ST/K	\$3,711
A06B-0572-B061#7000	SVMTR 10L 10KINC ST	\$9,415	A06B-0590-B041#7008	SVMTR 30S 2KABS ST/K	\$4,103
A06B-0572-B063#7008	SVMTR 10L 15KINC ST/K	\$9,415	A06B-0590-B042#7000	SVMTR 30S 2.5KABS ST	\$4,103
A06B-0572-B072#7008	SVMTR 10L 1MMSR/ST/K	\$9,007	A06B-0590-B042#7008	SVMTR 30S 2.5KABS ST/K	\$4,299
A06B-0572-B072#7076	SVMTR 10L 1MMSR/ST/K/IP67	\$10,137	A06B-0590-B042#7075	SVMTR 30S 2.5KABS ST/K SL67	\$4,765
A06B-0572-B075#7000	SVMTR AL50 2K 64KABS ST	\$8,742	A06B-0590-B042#7076	SVMTR 30S 2.5KABS ST/K SL67	\$4,765
A06B-0572-B075#7008	SVMTR AL50 2K 64KABS ST/KY	\$8,742	A06B-0590-B043#7008	SVMTR 30S 3KABS ST/K	\$4,299
A06B-0572-B075#7075	SVMTR AL50/2K ST NK IP67	\$9,464	A06B-0590-B043#7075	SVMTR 30S 3KABS ST/K SL67	\$4,961
A06B-0572-B075#7076	SVMTR AL50/2K 64KABS ST/K IP67	\$9,464	A06B-0590-B043#7076	SVMTR 30S 3KABS ST/K SL67	\$4,765
A06B-0572-B077#7000	SVMTR AL50 2K 64KINC ST	\$8,538	A06B-0590-B062#7000	SVMTR 30S 12KINC ST	\$4,495
A06B-0572-B077#7008	SVMTR AL50 3K 64KINC ST KY	\$8,538	A06B-0590-B062#7008	SVMTR 30S 12KINC ST/K	\$4,495
A06B-0572-B077#7064	SVMTR AL50 2K 64KINC SPECIAL	\$8,202	A06B-0590-B063#7008	SVMTR 30S 15KINC ST/K	\$4,103
A06B-0572-B077#7076	SVMTR AL50 2K 64KINC ST IP67	\$9,261	A06B-0590-B064#7000	SVMTR 30S 20KINC ST	\$4,495
A06B-0572-B081#7000	SV MTR 10L 10K INC STR 19 PIN	\$8,988	A06B-0590-B064#7008	SVMTR 30S 20KINC ST/K	\$4,495
A06B-0572-B081#7008	SVMTR 10L 10K INC ST/K	\$8,988	A06B-0590-B064#7076	SVMTR 30S 20KINC ST/K SL67	\$4,765
A06B-0572-B084#7000	SVMTR AL50 2K 1MABS ST	\$9,025	A06B-0590-B065#7000	SVMTR 30S 25KINC ST	\$4,103
A06B-0572-B084#7008	SVMTR AL50 2K 1MABS ST	\$8,650	A06B-0590-B065#7008	SVMTR 30S 25KINC ST/K	\$4,103
A06B-0572-B084#7076	SVMTR AL50 2K 1MABS ST IP67	\$9,311	A06B-0590-B071#7008	USE A06B-0590-B074#7008 W/OUT	\$3,711
A06B-0572-B088#7008	SVMTR AL50/2K 1MABS ST/KY	\$8,904	A06B-0590-B072#7000	SVMTR 30S 1MMABS/SR ST	\$4,299
A06B-0572-B088#7076	SVMTR AL50/2K 1MABS ST/KY IP67	\$9,627	A06B-0590-B072#7008	SVMTR 30S 1MMABS/SR ST/K	\$4,103
A06B-0572-B202#7008	SVMTR 10L 2.5KINC BRK	\$10,271	A06B-0590-B072#7076	SVMTR 30S 1MMABS/SR ST/K SL67	\$4,765
A06B-0572-B275#7075	SVMTR AL50 2K 64KA ST IP67	\$10,169	A06B-0590-B074#7000	SVMTR 30S 40KINC/SR ST	\$3,882
A06B-0572-B275#C075	SVMTR AL50 2K 64KA ST IP67 CSA	\$10,723	A06B-0590-B074#7008	SVMTR 30S 40KINC/SR ST/K	\$3,711
A06B-0572-B372#7076	SVMTR 10L 1MMST/ST/K/BRK/IP67	\$10,137	A06B-0590-B074#7076	SVMTR 30S 40KINC/SR ST/K SL67	\$4,372
A06B-0572-B375#7000	SVMTR AL50 2K 64KABS TP BRK	\$9,961	A06B-0590-B081#7000	SVMTR 30S 10KINC ST	\$4,103
A06B-0572-B375#7008	SVMTR AL50/2K 64KABS ST/KY BRK	\$9,961	A06B-0590-B081#7008	SVMTR 30S 10KINC ST/K	\$4,103
A06B-0572-B375#7076	SVMTR AL50/2K 64KA S/K BR IP67	\$10,683	A06B-0590-B081#7076	SVMTR 30S 10KINC ST/K SL67	\$4,765
A06B-0572-B377#7000	SVMTR AL50 2K 64KINC TP BRK	\$9,758	A06B-0590-B204#7000	SVMTR 30S 2KINC ST BRK	\$5,354
A06B-0572-B377#7008	SVMTR AL50/2K 64KINC ST/KY BRK	\$9,758	A06B-0590-B204#7008	SVMTR 30S 2KINC ST/K BRK	\$5,354
A06B-0572-B377#7076	SVMTR AL50/2K 64KI S/K BR IP67	\$10,480	A06B-0590-B204#7076	SVMTR 30S 2KINC ST/K BRK	\$6,015
A06B-0572-B384#7000	SVMTR AL50 2K 1MABS BRK	\$10,244	A06B-0590-B205#7000	SVMTR 30S 2.5KINC ST BRK	\$4,888
A06B-0572-B384#7008	SVMTR AL50 2K 1MABS ST BRK	\$9,768	A06B-0590-B205#7008	SVMTR 30S 2.5KINC ST/K BRK	\$4,888
A06B-0572-B384#7076	SVMTR AL50 3K 1MABS ST K B IP	\$10,429	A06B-0590-B206#7000	SVMTR 30S 3KINC ST BRK	\$5,132
A06B-0572-B388#7008	SVMTR AL50/2K 1MABS ST/KY BRK	\$10,125	A06B-0590-B206#7008	SVMTR 30S 3KINC ST/K BRK	\$5,132
A06B-0572-B388#7076	SVMTR AL50/2K 1MAB S/K BR IP67	\$10,846	A06B-0590-B210#7000	SVMTR 30S 10KINC ST BRK	\$4,888
A06B-0581-B004#7008	SVMTR 40 2KINC ST/K	\$5,350	A06B-0590-B210#7008	SVMTR 30S 10KINC ST/K BRK	\$4,888
A06B-0581-B005#7000	MOTOR	\$5,280	A06B-0590-B242#7075	SVMTR 30S ST BK 2.5KABS IP67	\$5,918
A06B-0581-B005#7008	SVMTR 40 2.5KINC ST/K	\$5,350	A06B-0590-B243#7075	SVMTR 30S 3KABS ST BRK	\$5,942
A06B-0581-B006#7008	SVMTR 40 3KINC ST/K	\$5,350	A06B-0590-B274#7008	SVMTR 30S 40KINC/SR ST/K BRK	\$4,888
A06B-0581-B041#7000	SVMTR 40 2KABS ST	\$5,672	A06B-0590-B281#7008	SVMTR 30S 10KINC ST/K BRK	\$5,280
A06B-0581-B061#7008	AC MOTOR 40 10K ST W/KEY	\$5,778	A06B-0590-B304#7008	SVMTR 30S 2KINC ST/K BRK	\$4,888
A06B-0581-B064#7000	AC MOTOR 40	\$5,778	A06B-0590-B305#7008	SVMTR 30S 2.5KINC ST/K BRK	\$4,888
A06B-0581-B201#7000	AC MOTOR 40 2K BRAKE	\$6,795	A06B-0590-B306#7008	SVMTR 30S 3KINC ST/K BRK	\$4,888
A06B-0583-B004#7000	SVMTR 40S 2KINC ST	\$5,476	A06B-0590-B362#7008	SVMTR 30S 12KINC ST/K BRK	\$5,280
A06B-0583-B004#7008	SVMTR 40S 2KINC ST/K	\$5,476	A06B-0590-B371#7008	SVMTR 30S 40KINC/SR ST/K BRK	\$5,238
A06B-0583-B005#7000	SVMTR 40S 2.5KINC ST	\$5,476	A06B-0590-B372#7000	SVMTR 30S 1MMABS/SR ST BRK	\$5,280
A06B-0583-B005#7008	SVMTR 40S 2.5KINC ST/K	\$5,476	A06B-0590-B372#7008	SVMTR 30S 1MMABS/SR ST/K BRK	\$5,942
A06B-0583-B006#7000	SVMTR 40S 3KINC ST	\$5,476	A06B-0590-B372#7076	SVMTR 30S 1MMABS/SR ST/K BR 67	\$6,604
A06B-0583-B006#7008	SVMTR 40S 3KINC ST/K	\$5,476	A06B-0590-B374#7000	SVMTR 30S 40KINC/SR ST BRK	\$4,888
A06B-0583-B010#7000	SVMTR 40S 10KINC ST	\$5,721	A06B-0590-B374#7008	SVMTR 30S 40KINC/SR ST/K BRK	\$4,888
A06B-0583-B010#7008	SVMTR 40S 10KINC ST/K	\$5,476	A06B-0590-B381#7008	SVMTR 30S 10KINC ST/K BRK	\$5,280
A06B-0583-B041#7000	SVMTR 40S 2KABS ST	\$5,869	A06B-0590-B381#7075	SV MTR 30S BK 10K HR-RES IP67	\$5,942
A06B-0583-B041#7008	SVMTR 40S 2KABS ST/K	\$5,869	A06B-0590-B505#7000	SVMTR 30S 2.5KINC TP/K	\$3,711
A06B-0583-B062#7008	SVMTR 40S 12KINC ST/K	\$5,869	A06B-0590-B541#7000	SVMTR 30S 2KABS TP/K	\$4,103

RENEWAL PARTS  
PRICING

D-38



Part Number	Description	Price
A06B-0601-B025	DC MOTOR 10T	\$3,771
A06B-0601-B531	SVMTR DC 10H	\$4,546
A06B-0602-B025	DC MOTOR 20	\$5,296
A06B-0602-B232	DC MOTOR	\$6,714
A06B-0603-B025	DC MTR 30T	\$5,182
A06B-0611-B043	DC MOTOR OL	\$4,065
A06B-0613-B031	SVMTR DC	\$3,317
A06B-0614-B025	DC MOT 5(T)	\$3,416
A06B-0614-B031	SVMTR	\$3,932
A06B-0615-B383	DC MOTOR 10L	\$13,275
A06B-0616-B382	DC SERVO MOTOR 7L 2500P ENCDR	\$11,928
A06B-0616-B383	SVMTR DC	\$11,928
A06B-0632-B005	DC MOTOR 00M(T)	\$2,326
A06B-0632-B011	DC MOTOR 00M	\$2,702
A06B-0632-B012	DC MTR	\$1,927
A06B-0641-B011	DC MOTOR 0M (2000P)	\$2,139
A06B-0641-B012	DC MOTOR 0M	\$3,022
A06B-0641-B505#0004	DC 0M/T,STR,KEY	\$1,675
A06B-0642-B005	DC MOTOR 5M (T)	\$1,720
A06B-0642-B011	DC MOTOR 5M (2000P)	\$3,857
A06B-0642-B012	DC MOTOR 5M (P)	\$3,857
A06B-0642-B013	DC SERVO MOTOR 5M 3000P ENCDR	\$2,568
A06B-0642-B205	DCMTR 5M TP BRK KY	\$6,365
A06B-0642-B205#0008	DC MOTOR 5M W/BRK + TACH	\$6,463
A06B-0645-B013	DC SERVO MOTOR MODEL 6	\$6,863
A06B-0645-B081	DC MOTOR 8L 2200 PPR	\$5,350
A06B-0645-B082	DC MOTOR 6L	\$8,027
A06B-0645-B091	DC MOTOR	\$4,743
A06B-0651-B005	DC MOTOR 10M(T)	\$2,461
A06B-0651-B005#0008	DC 10M/T,KEY	\$2,461
A06B-0651-B011	DC MOTOR 10M(P)	\$4,092
A06B-0651-B012	MOTOR DC 10M	\$4,226
A06B-0651-B012#0008	DC 10M W/KEYWAY	\$2,996
A06B-0651-B205	DC SERVO MOTOR 10M	\$5,452
A06B-0651-B205#0008	DC MOTOR 10M BRAKE /KEY	\$3,745
A06B-0651-B212	DC MOTOR 10M 2.5K/BR	\$4,280
A06B-0651-B511	DC MOTOR 10M(P)	\$4,546
A06B-0652-B005	DC MOTOR 20M(T)	\$2,889
A06B-0652-B005#0008	DC MOTOR 20M/T , KEY	\$2,889
A06B-0652-B011	DC MOTOR 20M(P)	\$5,010
A06B-0652-B012	DC MOTOR 20M (2500P) W/O BRAKE	\$5,010
A06B-0652-B081	DC 20M/T+P	\$5,402
A06B-0652-B205	DC MOTOR	\$4,601
A06B-0652-B211	DC MOTOR 20 AMP w/BRAKE	\$4,708
A06B-0652-B212	DC MOTOR 20M (2500P) W/O BRAKE	\$4,708
A06B-0653-B001#0008	DC 30M/T+R,KEY	\$3,318
A06B-0653-B005	DC MOTOR 30M(T)	\$4,863
A06B-0653-B005#0008	DC 30M/T,KEY	\$3,318
A06B-0653-B011	DC MOTOR 30M	\$3,852
A06B-0653-B082	DC MOTOR 30M 2.5K	\$4,280
A06B-0653-B201	DC SRV MTR 30M	\$7,087
A06B-0653-B205	DC MOTOR WITH BRAKE	\$4,601
A06B-0653-B212	DC SERVO MOTOR	\$4,674
A06B-0653-B301	DC MOTOR 30M TACH	\$7,218
A06B-0653-B305#0008	DC 30MH/T,KEY	\$4,815
A06B-0653-B311	DC MTR	\$5,350
A06B-0656-B005	DC 30 MOTOR 2K RPM W/TACH	\$5,350
A06B-0656-B094	DC 30M MOTOR 2K RPM	\$8,100
A06B-0714-B308#3000	SP MTR 16P/8000 FL R	\$8,788
A06B-0714-B900#3000	SP MTR 16P	\$7,754
A06B-0716-B104#3302	SP MTR 40S 6K FL R KY SPCL	\$10,282
A06B-0717-B104#3000	SP MTR 10P/8000 FL R	\$8,271
A06B-0717-B304#3000	SP MTR 10P/8000 FL R	\$8,271
A06B-0725-B102#3000	SP MTR 8P 75/6K FL R KY	\$5,639
A06B-0725-B134#3000	SP MTR 8P/8000 75/8K FL R KY	\$9,203
A06B-0725-B135#3000	SP MTR 8P/8000 75/8K FL F KY	\$9,203
A06B-0725-B202#3000	SP MTR 8P 75/6K FT R KY	\$5,639
A06B-0725-B203#3000	SP MTR 8P 75/6K FT F KY	\$5,639
A06B-0725-B234#3000	SP MTR 8P/8000 75/8K FT R KY	\$9,203
A06B-0725-B235#3000	SP MTR 8P/8000 75/8K FT F KY	\$9,203
A06B-0725-B334#3000	SP MTR 8P/8000 75/8K FL R NKY	\$9,203
A06B-0725-B335#3000	SP MTR 8P/8000 75/8K FL F NKY	\$9,203
A06B-0725-B434#3000	SP MTR 8P/8000 75/8K FT R NKY	\$9,203
A06B-0725-B435#3000	SP MTR 8P/8000 75/8K FT F NKY	\$9,203
A06B-0726-B102#3000	SP MTR 12P 75/6K FL R KY	\$6,316
A06B-0726-B104#3000	SPMTR 12P/8000 750/8K FL R KY	\$6,824
A06B-0726-B202#3000	SP MTR 12P 75/6K FT R KY	\$6,316
A06B-0726-B403#3000	SP MTR 12P 75/6K FT F NKY	\$6,316
A06B-0727-B102#3000	SP MTR 15P 75/6K FL R KY	\$6,824
A06B-0727-B103#3000	SP MTR 15P 75/6K FL F KY	\$6,824
A06B-0727-B132#3000	SP MTR 15P 75/6K FL R KY HRM	\$9,925
A06B-0727-B192#3000	SP MTR 15P 75/6K FL R KY ENC	\$7,857
A06B-0727-B202#3000	SP MTR 15P 75/6K FL R KY	\$6,824
A06B-0727-B202#3700	SP MTR 15P 5/6K FT R KY	\$7,062

Part Number	Description	Price
A06B-0727-B206#3000	SP MTR 15P/8000 75/8K FT F KY	\$6,332
A06B-0727-B304#3000	SP MTR 15P/8000 75/8K FL R NK	\$7,857
A06B-0728-B102#3000	SP MTR 18P 75/6K FL R KY	\$7,237
A06B-0728-B192#3000	SP MTR 18P 75/6K FL R KY ENC	\$8,271
A06B-0728-B194#3000	SPMTR 18P/8000 75/8K FL R KY	\$9,628
A06B-0728-B202#3000	SP MTR 18P 75/6K FT R KY	\$7,237
A06B-0728-B203#3000	SP MTR 18P 75/6K FT F KY	\$7,237
A06B-0728-B304#3000	SPMTR 18P/8000 75/8K FL R NKY	\$8,271
A06B-0728-B402#3500	SP MTR 18P 5/6K FT R NKY	\$7,490
A06B-0728-B920#3000	SP MTR 18P	\$8,968
A06B-0728-B920#3031	SP MTR 18P/10000	\$9,281
A06B-0728-B950#3001	SP-MTR-18P-.75/6K-FT-R-K-SHUP	\$7,597
A06B-0728-B951#3001	SP MTR 18P 6000RPM 9/11KW	\$7,597
A06B-0729-B102#3000	SP MTR 22P 75/6K FL R KY	\$7,237
A06B-0729-B103#3000	SP MTR 22P 75/6K FL F KY	\$7,237
A06B-0729-B132#3000	SP MTR 22P 75/6K FL R KY HRM	\$10,338
A06B-0729-B192#3000	SP MTR 22P 75/6K FL R KY ENC	\$8,271
A06B-0729-B194#3000	SPMTR 22P/8000 75/8K FL R KY	\$9,628
A06B-0729-B202#3000	SP MTR 22P 75/6K FT R KY	\$7,237
A06B-0729-B203#3000	SP MTR 22P 75/6K FT F KY	\$7,237
A06B-0729-B302#3000	SP MTR 22P 75/6K FL R NKY	\$7,237
A06B-0729-B303#3500	SPMTR 22P 55/6K FL F NKY	\$7,307
A06B-0729-B304#3000	SP MTR 22P/8000 75/8K FL R	\$8,271
A06B-0729-B332#3000	SP MTR 22P 75/6K FL R NKY HRM	\$10,338
A06B-0729-B392#3000	SP MTR 22P 75/6K FL R NKY ENC	\$8,271
A06B-0729-B402#3000	SP MTR 22P 75/6K FT R NKY	\$7,237
A06B-0729-B402#3500	SP MTR 22P 55/6K FT R NKY	\$7,490
A06B-0729-B432#3000	SPMTR 22P 75/6K FT R NKY HRM	\$10,338
A06B-0729-B432#3500	22P SPINDLE MOTOR	\$10,699
A06B-0730-B100#3000	SP MTR 30P .575/4.5K FL R KY	\$8,271
A06B-0730-B101#3000	AP MRE 30P .575/4.5K FL F KY	\$8,271
A06B-0730-B104#3000	SP MTR 30P .575/6K FL R KY	\$9,304
A06B-0730-B194#3000	SP MTR 30P .575/6K FL R KY ENC	\$10,338
A06B-0730-B200#3000	SP MTR 30P .575/4.5K FT R KY	\$8,271
A06B-0730-B230#3000	SP MTR 30P .575/4.5K T P KY HM	\$11,372
A06B-0730-B304#3000	SPMTR 30P/6000 .575/6K FL R NK	\$9,304
A06B-0731-B100#3000	SP MTR 40P .575/4.5K FL R KY	\$8,271
A06B-0731-B101#3000	SP MTR 40P .575/4.5K FL F KY	\$8,271
A06B-0731-B104#3000	SP MTR 40P .575/6K FL R KY	\$9,629
A06B-0731-B104#3B00	SP MTR 40P 5/6K FL R KY	\$9,629
A06B-0731-B134#3000	SPMTR 40P/6000 FL R KY HRM	\$12,406
A06B-0731-B194#3000	MOTOR 40P/6000 W/BUILT-IN E	\$10,338
A06B-0731-B200#3000	SP MTR 40P .575/4.5K FT F KY	\$8,271
A06B-0731-B201#3000	SP MTR 40P .575/4.5K FT R KY	\$8,271
A06B-0731-B230#3000	SP MTR 40P .575/4.5K FT F KY HM	\$11,372
A06B-0731-B230#3B00	SPMTR 40P 500/6K FT R KY	\$11,770
A06B-0731-B300#3000	SP MTR 40P .575/4.5K FT F KY	\$8,271
A06B-0731-B304#3000	SP MTR 40P/6K .575/6K FL RR NK	\$9,304
A06B-0731-B330#3000	SP MTR 40P .575/4.5K FL R NKHM	\$11,372
A06B-0731-B390#3000	SP MTR 40P .575/4.5K FL R NKY	\$9,304
A06B-0731-B600#3000	SP MTR 40P FL SHAFT-UP	\$8,559
A06B-0731-B900#0940	SPINDLE MOTOR 40P	\$8,222
A06B-0731-B900#3900	SPMTR 40P	\$8,351
A06B-0731-B901#3240	SPMTR 40P	\$8,351
A06B-0732-B200#3000	SP MTR 50P .575/4.5K FT R KY	\$16,128
A06B-0732-B201#3000	SP MTR 50P .575/4.5K FT F KY	\$16,128
A06B-0732-B206#3500	SP MTR 50P 4/4.5K FL R KY	\$17,333
A06B-0732-B406#3500	SP MTR 50P 4/4.5K FT R KY	\$17,333
A06B-0732-B900#3500	SPMTR 50P	\$16,690
A06B-0732-B900#3600	SPINDLE MOTOR 50P	\$16,284
A06B-0733-B206#3000	SPMTR 60P 4/4.5K FT R KY	\$17,368
A06B-0740-B100#3000	SPMTR 11 FL RR	\$2,487
A06B-0743-B100#3000	AC SPINDLE MOTOR 3I FL AIR-BK	\$2,584
A06B-0743-B101#3000	AC SPINDLE MOTOR 3I FL AIR-FT	\$2,584
A06B-0743-B200#3000	AC SPINDLE MOTOR 3I FT AIR-BK	\$2,584
A06B-0743-B301#3000	SP MTR 3S 6K FL F NKY	\$2,749
A06B-0744-B100#3000	AC SPINDLE MOTOR 6I FL AIR-BK	\$2,778
A06B-0744-B200#3000	AC SPINDLE MOTOR 6I FT AIR-BK	\$2,778
A06B-0744-B600#3000	SP MTR 6I 6K FL R KY SHAFTUP	\$2,778
A06B-0745-B200#3000	AC SPINDLE MOTOR 8I FT AIR-BK	\$2,989
A06B-0745-B201#3000	AC SPINDLE MOTOR 8I FT AIR-FT	\$2,974
A06B-0745-B600#3000	SP MTR 8I 4.5K FL R KY SHAFTUP	\$2,989
A06B-0746-B200#3000	SP MTR 12I	\$5,639
A06B-0750-B100#3000	SP MTR 1S 3/8K FL RR KY	\$1,809
A06B-0750-B101#3000	SP MTR 1S 3/8K FL F KY	\$1,809
A06B-0750-B104#3000	SP MTR 1S 3/15K FL RR KY	\$2,445
A06B-0750-B190#3000	SP MTR 1S 8K FL R KY ENC	\$3,101
A06B-0750-B200#3000	SP MTR 1S 3/8K FT R KY	\$1,809
A06B-0750-B600#3000	SP MTR 1S 3/8K FL RR KY SHFT UP	\$1,776
A06B-0751-B100#3000	SP MTR 1.5S 1.5/8K FL R KY	\$2,067
A06B-0751-B190#3000	SP MTR 1.5S 8K FL R KY ENC	\$2,932
A06B-0751-B200#3000	SP MTR 1.5S 1.5/8K FT R KY	\$2,067
A06B-0752-B100#3000	SP MTR 2S 1.5/8K FL RR KY	\$2,326
A06B-0752-B101#3000	SP MTR 2S 1.5/8K FL F KY	\$2,326

RENEWAL PARTS  
PRICING

D-39





# A06B-0752-B104#3000

Part Number	Description	Price
A06B-0752-B104#3000	SP MTR 2S 1.5/15K FL RR KY	\$3,158
A06B-0752-B131#3000	SP MTR 2S 8K FL F KY HRM	\$5,414
A06B-0752-B190#3000	SP MTR 2S 8K FL R KY ENC	\$3,158
A06B-0752-B191#3000	SP MTR 2S 8K FL F KY ENC	\$3,158
A06B-0752-B200#3000	SP MTR 2S 1.5/8K FT R KY	\$1,912
A06B-0752-B201#3000	SP MTR 2S 1.5/8K FT F KY	\$2,326
A06B-0752-B304#3000	SP MTR 2S 15K FL R NK	\$3,158
A06B-0752-B390#3000	SP MTR 2S 8K FL R NKY ENC	\$2,853
A06B-0752-B391#3000	SP MTR 2S 8K FL F NKY ENC	\$3,158
A06B-0752-B394#3000	SPMTR 2S/15000 15K FL R NK ENC	\$4,286
A06B-0752-B400#3000	SP MTR 2S 8K FT R NKY	\$2,326
A06B-0752-B100#3000	SP MTR 3S 1.5/6K FL RR KY	\$4,060
A06B-0752-B101#3000	SP MTR 3S 1.5/6K FL F KY	\$4,060
A06B-0752-B104#3000	SP MTR 3S 1.5/12K FL RR KY	\$5,188
A06B-0752-B106#3000	SP MTR 3S 6K FL KY R	\$4,060
A06B-0752-B190#3000	SP MTR 3S 1.5/6K FL R KY ENC	\$5,188
A06B-0752-B200#3000	SP MTR 3S 1.5/6K FT R KY	\$4,060
A06B-0752-B201#3000	SP MTR 3S 1.5/6K FT F KY	\$4,060
A06B-0752-B300#3000	SP MTR 3S 6K FL R NKY	\$4,060
A06B-0752-B301#3000	SP MTR 3S 6K FL F NKY	\$4,060
A06B-0752-B390#3000	SP MTR 3S 6K FL R NKY ENC	\$5,188
A06B-0752-B391#3000	SP MTR 3S 6K FL F NKY ENC	\$5,188
A06B-0752-B394#3000	SPMTR 3S/12000 12K FL R NK ENC	\$6,316
A06B-0752-B395#3000	SPMTR 3S/12000 12K FL FT NK	\$6,432
A06B-0752-B400#3000	SP MTR 3S 6K FT R NKY	\$4,060
A06B-0752-B100#3000	SP MTR 6S 1.5/6K FL RR KY	\$4,511
A06B-0752-B101#3000	SP MTR 6S 1.5/6K FL F KY	\$4,511
A06B-0752-B101#3100	SP MTR 6S 8K FL F KY	\$4,280
A06B-0752-B104#3000	SP MTR 6S 1.5/12K FL RR KY	\$5,094
A06B-0752-B130#3000	SP MTR 6S 6K FL R KY HRM	\$7,237
A06B-0752-B190#3000	SP MTR 6S 6K FL R KY ENC	\$5,639
A06B-0752-B190#3045	SP MTR	\$4,473
A06B-0752-B191#3000	SP MTR 6S 6K FL F KY ENC	\$5,639
A06B-0752-B200#3000	SP MTR 6S 1.5/6K FT R KY	\$4,511
A06B-0752-B201#3000	SP MTR 6S 1.5/6K FT F KY	\$4,511
A06B-0752-B201#3002	SP MTR 6S FT FR KEY OIL SEAL	\$4,280
A06B-0752-B230#3000	SP MTR 6S 6K FT R KY HRM	\$7,237
A06B-0752-B231#3000	SP MTR 6S 6K FT F KY HRM	\$7,237
A06B-0752-B270#3000	AC SPINDLE #6S FEET	\$4,624
A06B-0752-B300#3000	SP MTR 6S 6K FL R NKY	\$4,511
A06B-0752-B304#3000	SP MTR 6S 12K FL R NK	\$5,639
A06B-0752-B400#3000	SP MTR 6S 6K FT R NKY	\$4,511
A06B-0752-B400#3100	SP MTR 6S 6K FT R NK	\$4,065
A06B-0752-B430#3000	SP MTR 6S 6K FT R NKY HRM	\$7,237
A06B-0752-B600#3000	SP MTR 6S FL RR SHAFT-UP	\$4,511
A06B-0752-B921#3000	6S MOTOR FLG/AFTF/38MM W/O KEY	\$4,511
A06B-0752-B927#3001	SP MTR 6S (SUB FOR B987 MOTOR)	\$7,490
A06B-0752-B946#3000	AC SPINDLE M-6S	\$7,237
A06B-0752-B987#3001	SP MTR 6S (SUB TO B927 MOTOR)	\$7,490
A06B-0752-B100#3000	SP MTR 8S 1.5/4.5K FL RR KY	\$5,639
A06B-0752-B100#3100	SP MTR 8S 1.5/6K FL RR KY	\$5,350
A06B-0752-B101#3000	SPINDLE MOTOR 6K 8S FL-OS-KW-F	\$5,639
A06B-0752-B101#3100	SP MTR 8S 1.5/6K FL F KY	\$5,350
A06B-0752-B104#3000	SP MTR 8S 1.5/8K FL RR KY	\$6,767
A06B-0752-B105#3000	SP MTR 8S 8K FL F KY	\$6,767
A06B-0752-B134#3000	SP MTR	\$9,307
A06B-0752-B139#3100	SP MTR 8S 6K FL R KY ENC	\$6,635
A06B-0752-B190#3100	SP MTR 8S 6K FL R KY ENC	\$6,419
A06B-0752-B194#3000	SP MTR 8S 8K FL R KY ENC	\$7,237
A06B-0752-B200#3000	SPINDLE MOTOR 6K 8S FT-KW-R	\$5,639
A06B-0752-B200#3100	SP MTR 8S 1.5/6K FT R KY	\$5,350
A06B-0752-B201#3000	SPINDLE MOTOR 6K 8S FT-KW-F	\$5,639
A06B-0752-B201#3100	SP MTR 8S 1.5/6K FT F KY	\$5,350
A06B-0752-B201#C100	SP MTR 8S CSA	\$5,379
A06B-0752-B291#3100	SP MTR 8S 6K FT ATF ST KY	\$6,419
A06B-0752-B300#3000	SP MTR 8S 4.5K FL R NKY	\$5,639
A06B-0752-B300#3100	SP MTR 8S 6K FL R NKY	\$5,350
A06B-0752-B301#3100	SP MTR 8S 6K FL F NKY	\$5,350
A06B-0752-B304#3000	SP MTR 8S 8K FL R NK	\$6,767
A06B-0752-B390#3100	SP MTR 8S 6K FL R NKY ENC	\$6,419
A06B-0752-B394#3000	SPMTR 8S/8000 8K FL R NK ENC	\$7,237
A06B-0752-B400#3000	SP MTR 8S 4.5K FT R NKY	\$5,639
A06B-0752-B400#3100	SP MTR 8S 6K FT R NKY	\$5,350
A06B-0752-B430#3100	SP MTR 8S 6K FT R NKY HRM	\$8,559
A06B-0752-B600#3000	SP MTR 8S 1.5/4K FL R KY SH-U	\$5,280
A06B-0752-B600#3100	SP MTR 8S 1.5/6K FL R KY SH-UP	\$5,350
A06B-0752-B921#3100	AC MOTOR 8S 6K RPM	\$5,885
A06B-0752-B950#3000	SP MTR 8S RR FT KEY SHAFT-UP	\$6,833
A06B-0752-B951#3000	SP MTR 8S FR FT KEY SHAFT-UP	\$6,035
A06B-0752-B100#3000	SP MTR 12S 1.5/4.5K FL RR KY	\$5,639
A06B-0752-B100#3045	SP MTR 12S 4.5K FL-OS-KWR	\$5,350
A06B-0752-B100#3100	SP MTR 12S 1.5/6K FL RR KY	\$5,350
A06B-0752-B101#3000	SPINDLE MTR 6K 12S FL-OS-KW-F	\$5,795
A06B-0752-B101#3100	SP MTR 12S 1.5/6K FL F KY	\$5,350

Part Number	Description	Price
A06B-0756-B104#3000	SP MTR 12S 1.5/8K FL RR KY	\$6,767
A06B-0756-B190#3000	SP MTR 12S 4.5K FL R KY ENC	\$6,767
A06B-0756-B190#3045	AC SPIN MTR #12 FLG W/BI CODE	\$6,419
A06B-0756-B190#3100	SP MTR 12S 1.5/6K FL R KY ENC	\$6,419
A06B-0756-B191#3100	SP MTR 12S 4.5/6K FL F KY ENC	\$6,419
A06B-0756-B200#3000	SP MTR 12S 6K SHAFT-UP	\$5,639
A06B-0756-B200#3100	SP MTR 12S 1.5/6K FT R KY	\$5,350
A06B-0756-B201#3000	SPINDLE MOTOR 6K 12S FT-KW-F	\$5,639
A06B-0756-B201#3100	SP MTR 12S 1.5/6K FT F KY	\$5,350
A06B-0756-B231#3100	SP MTR 12S 4.5/6K FT F KY HRM	\$8,559
A06B-0756-B290#3100	SP MTR 12S 6K FT R KY ENC	\$6,419
A06B-0756-B300#3000	SP MTR 12S 4.5K FL R NKY	\$5,639
A06B-0756-B300#3100	SPMTR 12S 4.5/6K FL R NK	\$6,419
A06B-0756-B400#3000	SP MTR 12S 4.5K FT R NKY	\$5,639
A06B-0756-B400#3100	SP MTR 12S 6K FT R NKY	\$5,350
A06B-0756-B430#3000	SP MTR 12S 6K FT F NKY	\$8,271
A06B-0756-B430#3100	SP MTR 12S 4.5/6K FT R NKY HRM	\$8,559
A06B-0756-B600#3000	SP MTR 12S SHAFT-UP	\$5,350
A06B-0757-B100#3000	SP MTR 15S 1.5/4.5K FL RR KY	\$6,090
A06B-0757-B100#3045	AC SPINDLE MTR. 15-S	\$5,778
A06B-0757-B100#3100	SP MTR 15S 1.5/6K FL RR KY	\$5,778
A06B-0757-B101#3000	SPINDLE MTR 6K 15S FL-OS-KW-F	\$6,090
A06B-0757-B101#3100	SP MTR 15S 1.5/6K FL F KY	\$5,778
A06B-0757-B104#3000	SP MTR 15S 1.5/8K FL RR KY	\$6,617
A06B-0757-B190#3000	SP MTR 15S 4.5K FL R KY ENC	\$6,617
A06B-0757-B190#3045	SP MTR 15S 4.5K FL R KY ENC	\$6,847
A06B-0757-B190#3100	SPDL 15S 6K FL OS KW R BIFDBK	\$6,847
A06B-0757-B191#3000	SP MTR 15S 4.5K FL F KY ENC	\$6,653
A06B-0757-B191#3045	SPMTR 15S 4.5K FL F KY	\$6,681
A06B-0757-B200#3000	SP MTR 15S 6K SHAFT-UP	\$6,090
A06B-0757-B200#3100	SPINDLE MOTOR 6K 15S FT-KW-R	\$5,778
A06B-0757-B201#3000	SPINDLE MOTOR 6K 15S FT-KW-F	\$5,778
A06B-0757-B300#3000	SP MTR 15S 4.5K FL R NKY	\$6,090
A06B-0757-B300#3100	SP MTR 15S 6K FL F NKY	\$5,778
A06B-0757-B400#3100	SPINDLE MOTOR 6K 15S FT-R	\$5,778
A06B-0757-B600#3100	SP MTR 15S 6K FL R KY SHAFT-UP	\$5,778
A06B-0757-B910#3045	SPDL MTR 15S DOUBLE-KEY/SENSOR	\$5,778
A06B-0757-B913#3045	SP MTR	\$8,131
A06B-0757-B960#3146	SP MTR 15S	\$5,778
A06B-0757-B961#3045	SP MTR 15S	\$6,847
A06B-0757-B961#3146	SP MTR 15S	\$6,847
A06B-0758-B100#3000	SP MTR 18S 1.5/4.5K FL RR KY	\$6,767
A06B-0758-B100#3100	SP MTR 18S 1.5/6K FL RR KY	\$6,419
A06B-0758-B101#3000	SP MTR 18S 1.5/4.5K FL F KY	\$6,767
A06B-0758-B104#3000	SPMTR 18S/8000 8K FL R KY	\$7,237
A06B-0758-B200#3000	SP MTR 18S 1.5/4.5K FT R KY	\$6,767
A06B-0758-B200#3100	SP MTR 18S 6K FT R KY	\$6,419
A06B-0758-B201#3000	SP MTR 18S 1.5/4.5K FT F KY	\$6,767
A06B-0758-B201#3000	SP MTR 18S 4.5K FT R KY HRM	\$9,304
A06B-0758-B300#3000	SP MTR 18S 4.5K FL R NK	\$6,767
A06B-0758-B300#3100	SP MTR 18S/6000	\$6,419
A06B-0758-B301#3100	SP MTR 18S 6K FL NKY ENC	\$6,420
A06B-0758-B305#3000	SPMTR 18S/8000 8K FL F NKY	\$7,237
A06B-0758-B967#3146	SPINDLE MOTOR 18S	\$7,543
A06B-0759-B100#3000	SP MTR 22S 1.5/4.5K FL RR KY	\$6,767
A06B-0759-B100#3100	SP MTR 22S 1.5/6K FL RR KY	\$6,419
A06B-0759-B101#3000	SP MTR 22S 1.5/4.5K FL F KY	\$6,767
A06B-0759-B104#3000	SPMTR 22S 8K FL R KY	\$7,237
A06B-0759-B190#3100	SP MTR 22S 6K FL R KY ENC	\$7,490
A06B-0759-B192#3000	SP MTR 22S 4.5K FL F KY ENC	\$5,604
A06B-0759-B200#3000	SP MTR 22S 1.5/4.5K F	\$6,767
A06B-0759-B200#3100	SPMTR 22S 6K FT RR KY	\$6,419
A06B-0759-B200#C100	SP MTR 22S 1.5/4.5K R UP CSA	\$6,450
A06B-0759-B201#3000	SP MTR 22S 1.5/4.5K FT F KY	\$6,767
A06B-0759-B201#3100	SP MTR 22S 1.5/4.5K FT F KY	\$6,873
A06B-0759-B230#3000	SP MTR 22S 4.5K FT R KY HRM	\$9,304
A06B-0759-B230#3100	SP MTR 22S 6K FT R KY HRM	\$9,629
A06B-0759-B290#3000	SP MTR 22S FT FR KEY	\$7,237
A06B-0759-B300#3000	SP MTR 22S 4.5K FL R NK	\$6,767
A06B-0759-B300#3100	AC SPINDLE 22S/6000	\$6,419
A06B-0759-B304#3000	SPMTR 22S 8K FL R NKY	\$7,237
A06B-0759-B330#3100	SP MTR 22S 6K FL R NK HRM	\$9,629
A06B-0759-B400#3000	SP MTR 22S 4.5K FT R NKY	\$6,767
A06B-0759-B400#3100	SP MTR 22S/6K FT R NKY	\$6,419
A06B-0759-B404#3000	SP MTR 22S 1.5K/8K	\$7,237
A06B-0759-B430#3100	SP MTR 22S 6K FT R NKY HRM	\$9,629
A06B-0759-B600#3000	SP MTR 22S SHAFT-UP	\$6,767
A06B-0759-B600#3100	SPMTR 22S 6K FL R KY SHAFT-UP	\$6,873
A06B-0759-B907#3000	SPMTR 22S	\$7,061
A06B-0759-B947#3000	SP MTR 22S/6K FL R KY 2HRM	\$11,372
A06B-0759-B948#3200	SP MTR 22S 1/6K FT R NKY 2HRM	\$11,770
A06B-0759-B950#3000	SP MTR 22S RR FT KEY SHAFT-UP	\$7,237
A06B-0759-B967#3146	SPMTR 22S	\$7,359
A06B-0759-B970#3046	SP MTR 22S	\$7,062

RENEWAL PARTS  
PRICING

D-40



Part Number	Description	Price	Part Number	Description	Price
A06B-0760-B100#3000	SP MTR 30S 4.5K FL R KY	\$8,222	A06B-0827-B302#3000	SP MTR AP15/8K FL NKY RR HI SP	\$7,730
A06B-0760-B101#3000	SP MTR 30S 4.5K FL F KY	\$8,222	A06B-0827-B302#3001	SP MTR AP15/8K FL NKY RR HI SP	\$7,730
A06B-0760-B104#3000	SP MTR 30S 6K FL R KY	\$8,222	A06B-0827-B302#3002	SP MTR AP15/8K FL NKY RR HI SP	\$7,730
A06B-0760-B200#3000	SP MTR 30S 4.5K FT R KY	\$9,203	A06B-0827-B390#3000	SP-M ALPHA P15 FLO B	\$7,730
A06B-0760-B201#3000	SP MTR 30S 4.5K FT F KY	\$8,222	A06B-0828-B100#3000	SPMTR AP18 6K FL KY RR	\$7,114
A06B-0760-B204#3000	SP MTR 30S 6K FT R KY	\$9,203	A06B-0828-B130#3000	SPMTR AP18 6K FL KY RR HI RES	\$10,164
A06B-0760-B230#3000	SPMTR 30S 4.5K FT R KY HRM	\$11,165	A06B-0828-B190#3000	SPMTR AP18 6K FL KY RR BIS	\$8,131
A06B-0760-B234#3000	SP MTR 30S 6K FT R KY HRM	\$12,146	A06B-0828-B192#3000	SP-M ALPHA P18	\$9,147
A06B-0760-B304#3000	SP MTR 30S 6K FL R NKY	\$9,203	A06B-0828-B200#3000	SPMTR AP18 6K FT KY RR	\$7,114
A06B-0760-B334#3000	SP MTR 30S 4.5K FT R KY HRM	\$12,146	A06B-0828-B230#3000	SPMTR AP18 6K FT KY RR HI RES	\$10,164
A06B-0761-B100#3000	SP MTR 40S 4.5K FL R KY	\$8,222	A06B-0828-B290#3000	SPMTR AP18 6K FT KY RR BIS	\$8,131
A06B-0761-B101#3000	SP MTR 40S 4.5K FL F KY	\$9,203	A06B-0828-B301#3500	SPMTR AP18	\$6,942
A06B-0761-B104#3000	SP MTR 40S 6K FL R KY	\$9,203	A06B-0828-B390#3000	SPMTR AP18 6K FL N/KY RR BIS	\$7,830
A06B-0761-B190#3000	SP MTR 40S 4.5K FL R KY ENC	\$9,203	A06B-0828-B400#3500	SPMTR AP18	\$6,942
A06B-0761-B200#3000	SP MTR 40S 4.5K FT R KY	\$8,222	A06B-0828-B402#3000	SPMTR AP18 8K FT NKY HSP RR	\$8,131
A06B-0761-B201#3000	SP MTR 40S 4.5K FT F KY	\$8,222	A06B-0828-B920#3231	SPMTR ALPHA P18/10000	\$9,147
A06B-0761-B204#3000	SP MTR 40S 6K FT R KY	\$9,203	A06B-0829-B100#3000	SPMTR AP22 6K FL KY RR	\$7,114
A06B-0761-B291#3000	SP MTR 40S 4.5K FTF KY HRM	\$9,203	A06B-0829-B101#3000	SPMTR AP22 6K FL KY RR	\$7,115
A06B-0761-B294#3000	SP MTR 40S 6K FT R KY	\$10,185	A06B-0829-B102#3000	SPMTR AP22/8K FL KY RR HI SPD	\$8,131
A06B-0761-B390#3000	SP MTR 40S 4.5K FL R NKY ENC	\$9,203	A06B-0829-B130#3000	SPMTR AP22 6K FL KY RR HI RES	\$10,164
A06B-0761-B400#3000	SP MTR 40S 4.5K FT R NKY	\$8,222	A06B-0829-B190#3000	SPMTR AP22 6K FL KY RR BIS	\$8,131
A06B-0764-B100#3000	SP MTR 6S/A3 1.5/6K FL R KY	\$4,060	A06B-0829-B200#3000	SPMTR AP22 6K FT KY RR	\$7,114
A06B-0764-B190#3000	SP MTR 6S/A3 1.5/6K FL R KY EN	\$5,188	A06B-0829-B201#3000	SPMTR AP22 6K FT KY	\$7,114
A06B-0764-B200#3000	SP MTR 6S/A3 1.5/6K FT R KY	\$3,101	A06B-0829-B230#3000	SPMTR AP22 6K FT KY RR HI RES	\$10,164
A06B-0765-B100#3000	SP MTR 12S/A8 1.5/6K FL R KY	\$5,350	A06B-0829-B290#3000	SPMTR AP22 6K FT KY RR BIS	\$8,131
A06B-0765-B201#3100	SP MTR 12S/A8 1.5/6K FT F KY	\$5,350	A06B-0829-B300#3000	SP MTR ALPHA P22 FL NK	\$6,898
A06B-0765-B300#3110	SPMTR 12S/A8 1.5/6K FL R	\$5,349	A06B-0829-B301#3500	SPMTR AP22	\$6,942
A06B-0766-B300#3000	SPMTR 0 5S 3K/8K FL	\$1,680	A06B-0829-B302#3000	SPMTR AP22 8K FL NKY RR	\$8,131
A06B-0766-B400#3000	SPMTR 0 5S 3K/8K FT	\$1,680	A06B-0829-B332#3000	SPMTR AP22 8K FL NKY RR HRM RR	\$10,164
A06B-0766-B910#3000	SPMTR 0 5S RR	\$1,712	A06B-0829-B390#3000	SP-M ALPHA P22 FLO F	\$8,131
A06B-0780-B100#3000	SP MTR 30HV FL RR KY	\$8,222	A06B-0829-B392#3000	SPMTR AP22 8K FL NKY RR BIS	\$9,147
A06B-0781-B100#3000	SP MTR 40HV FL KY R	\$8,271	A06B-0829-B400#3000	SPMTR AP22/6K FT NK RR	\$6,898
A06B-0781-B101#3000	SP MTR 40HV FL KY F	\$8,271	A06B-0829-B402#3000	SPMTR AP22 8K FT NKY RR	\$8,131
A06B-0781-B101#C000	SP MTR 40HV CSA	\$8,559	A06B-0829-B430#3000	SPMTR AP22/6K FT RR HRM	\$9,694
A06B-0781-B200#3000	SP MTR 40HV FT KY R	\$8,271	A06B-0829-B432#3000	SPMTR AP22 8K FT NKY RR HRM	\$9,147
A06B-0781-B204#3000	SP MTR 40HV FT KY R	\$9,203	A06B-0829-B492#3000	SPMTR AP22 8K FT NKY RR BIS	\$9,147
A06B-0781-B900#CB02	SP MTR 40HV CSA	\$8,774	A06B-0830-B100#3000	SPMTR AP30 4.5K FL KY RR	\$8,131
A06B-0783-B100#3000	SP MTR 60 HV	\$17,368	A06B-0830-B102#3000	SPMTR AP30/6K FL KY RR HI SPD	\$9,147
A06B-0783-B200#3000	SP MTR 60HV FT KY R	\$17,368	A06B-0830-B130#3000	SPMTR AP30 4.5K FL RR HI RES	\$11,181
A06B-0783-B201#3000	SP MTR 60HV FT KY F	\$17,368	A06B-0830-B190#3000	SPMTR AP30 4.5K FL KY RR BIS	\$9,147
A06B-0783-B300#3000	SPMTR 60HV 4500 FT FL R	\$16,854	A06B-0830-B192#3000	SPMTR AP30 6K BIS FL RR	\$10,164
A06B-0790-B190#3000	SP MTR 1S 3/8K KY BIS IP65	\$3,391	A06B-0830-B200#3000	SPMTR AP30 4.5K FT KY RR	\$8,131
A06B-0790-B300#3000	SP MTR 1S 3/8K NKY IP65	\$2,514	A06B-0830-B230#3000	SPMTR AP30 4.5K FT RR HI RES	\$11,181
A06B-0790-B390#3000	SP MTR 1S 3/8K NKY BIS IP65	\$3,391	A06B-0830-B290#3000	SPMTR AP30 4.5K FT KY RR BIS	\$9,147
A06B-0791-B100#3000	SP MTR 1 5S 8K KY IP65	\$2,319	A06B-0830-B300#3000	SPMTR ALPHA P30	\$8,131
A06B-0791-B190#3000	SP MTR 1 5S 8K KY BIS IP65	\$3,588	A06B-0830-B402#3000	SPINDLE MOTOR AP-M ALPHA P30	\$9,147
A06B-0791-B300#3000	SP MTR 1 5S 8K NKY IP65	\$2,750	A06B-0831-B100#3000	SPMTR AP40 4.5K FL KY RR	\$8,131
A06B-0791-B390#3000	SP MTR 1 5S FL R NKY ENC	\$3,694	A06B-0831-B102#3000	SPMTR AP40/6K FL KY RR HI SPD	\$8,131
A06B-0792-B100#3000	SP MTR 2S 1.5/8K KY IP65	\$3,101	A06B-0831-B130#3000	SPMTR AP40 4.5K FL RR HI RES	\$11,181
A06B-0792-B190#3000	SP MTR 2S 1.5/8K FL KY BIS	\$3,785	A06B-0831-B132#3000	SPMTR AP40	\$11,558
A06B-0792-B300#3000	SP MTR 2S 1.5/8K NKY IP65	\$2,901	A06B-0831-B190#3000	SPMTR AP40 4.5K FL KY RR BIS	\$9,147
A06B-0792-B390#3000	SP MTR 2S 1.5/8K NKY BIS IP65	\$3,785	A06B-0831-B192#3000	SPMTR AP40 6K FL/KY RR BIS HI SPD	\$9,694
A06B-0793-B100#3000	SP MTR 3S 6K KY IP65	\$4,569	A06B-0831-B200#3000	SPMTR AP40 4.5K FT KY RR	\$8,131
A06B-0793-B190#3000	SP MTR 3S 6K KY BIS IP65	\$5,549	A06B-0831-B201#3000	SPMTR AP40 4.5K FT KY FR PG	\$8,131
A06B-0793-B300#3000	SP MTR 3S 6K NKY IP65	\$4,569	A06B-0831-B230#3000	SPMTR AP40 4.5K FT RR HI RES	\$11,181
A06B-0793-B390#3000	SP MTR 3S 6K NKY BIS IP65	\$5,949	A06B-0831-B290#3000	SPMTR AP40 4.5K FT KY RR BIS	\$9,147
A06B-0823-B926#0341	SPMTR AP3/12000	\$7,168	A06B-0831-B300#3000	SPMTR AP40/4.5K FL NK RR	\$7,830
A06B-0825-B100#3000	SPMTR AP8 6K FL KY RR	\$5,082	A06B-0831-B400#3000	SPMTR AP40 4.5K FT NKY RR	\$7,830
A06B-0825-B102#3000	SPMTR AP8/8K FL KY RR HI SPD	\$6,099	A06B-0831-B900#3B40	SPMTR AP40	\$6,150
A06B-0825-B130#3000	SPMTR AP8 6K FL KY RR HI RES	\$8,131	A06B-0831-B901#3C40	SPMTR AP40	\$8,351
A06B-0825-B190#3000	SPMTR AP8 6K FL KY RR BIS	\$6,099	A06B-0831-B901#3D40	SPMTR AP40 6K FL KY RR DUAL	\$8,559
A06B-0825-B200#3000	SPMTR AP8 6K FT KY RR	\$5,082	A06B-0831-B902#3D02	SPMTR A40P FL MZ R NKY SPD SW	\$10,886
A06B-0825-B230#3000	SPMTR AP8 6K FT KY RR HI RES	\$8,131	A06B-0832-B100#3000	SPMTR AP50 4.5K FL KY RR	\$15,862
A06B-0825-B290#3000	SPMTR AP8 6K FT KY RR BIS	\$6,099	A06B-0832-B130#3000	SPMTR AP50 4.5K FT KY RR HRM	\$18,905
A06B-0825-B400#3000	SP-M ALPHA P8 FT B	\$5,082	A06B-0832-B200#3000	SPMTR AP50 4.5K FT KY RR	\$15,861
A06B-0825-B490#3000	SP-M ALPHA P8	\$5,966	A06B-0832-B230#3000	SPMTR AP50 4.5K FL KY RR HRM	\$18,905
A06B-0826-B100#3000	SPMTR AP12 6K FL KY RR	\$5,698	A06B-0832-B900#3500	SPMTR AP50	\$15,475
A06B-0826-B102#3000	SPMTR AP12/8K FL KY RR HI SPD	\$6,715	A06B-0832-B902#3600	SPMTR ALPHA P50	\$14,917
A06B-0826-B130#3000	SPMTR AP12 6K FL KY RR HI RES	\$8,747	A06B-0832-B902#C600	SPMTR AP50 400/4500 18.5KW CSA	\$15,862
A06B-0826-B190#3000	SPMTR AP12 6K FL KY RR BIS	\$6,715	A06B-0833-B106#3000	SPMTR AP60 4.5K FL KY RR	\$17,075
A06B-0826-B200#3000	SPMTR AP12 6K FT KY RR	\$5,698	A06B-0833-B136#3000	SPMTR AP60 4.5K FL KY RR HRM	\$20,114
A06B-0826-B201#3000	SPMTR AP12 6K FT KY FF	\$5,698	A06B-0833-B206#3000	SPMTR AP60 4.5K FT KY RR	\$17,064
A06B-0826-B230#3000	SPMTR AP12 6K FT KY RR HI RES	\$8,747	A06B-0833-B206#3300	SPMTR AP60 4.5K FT PG	\$16,031
A06B-0826-B290#3000	SPMTR AP12 6K FT KY RR BIS	\$6,715	A06B-0833-B236#3000	SPMTR AP60 4.5K FT KY RR HRM	\$20,114
A06B-0827-B100#3000	SPMTR AP15 6K FL KY RR	\$6,715	A06B-0835-B926#3D41	SPMTR AT8/12000	\$10,037
A06B-0827-B101#3000	SPMTR ALPHA P15 FLOKF	\$6,714	A06B-0837-B102#3000	SPMTR AP10 8K FL KY	\$6,715
A06B-0827-B102#3000	SPMTR AP15 8K FL KY RR HI SPD	\$7,730	A06B-0839-B100#3000	SPMTR AP50 FL KY RR	\$15,475
A06B-0827-B130#3000	SPMTR AP15 6K FL KY RR HI RES	\$9,763	A06B-0840-B100#3000	SPMTR AC1 6K FL KY RR	\$1,221
A06B-0827-B190#3000	SPMTR AP15 6K FL KY RR BIS	\$7,730	A06B-0840-B200#3000	SPMTR AC1 6K FT KY RR	\$1,221
A06B-0827-B200#3000	SPMTR AP15 6K FT KY RR	\$6,715	A06B-0840-B301#3000	ACSPMTR ALPHA C1 FL F	\$1,220
A06B-0827-B202#3000	SPMTR AP15 6K	\$7,462	A06B-0841-B100#3000	SPMTR AC1 5 6K FL KY RR	\$1,423
A06B-0827-B230#3000	SPMTR AP15 6K FT KY RR HI RES	\$9,763	A06B-0841-B101#3000	SPMTR ALPHA C1 5	\$1,422
A06B-0827-B290#3000	SPMTR AP15 6K FT KY RR BIS	\$7,730	A06B-0841-B200#3000	SPMTR AC1 5 6K FT KY RR	\$1,423
A06B-0827-B300#3000	SPMTR ALPHA P15 FLO B	\$6,714	A06B-0842-B100#3000	SPMTR AC2 6K FL KY RR	\$1,627

RENEWAL PARTS  
PRICING

D-41



# A06B-0842-B200#3000

Part Number	Description	Price	Part Number	Description	Price
A06B-0842-B200#3000	SPMTR AC2 6K FT KY RR	\$1,627	A06B-0854-B390#3000	SPMTR A6/8K FL NK BIS RR	\$5,082
A06B-0843-B100#3000	SPMTR AC3 6K FL KY RR	\$3,451	A06B-0854-B391#3000	AC SPMTR ALPHA 6 FL F	\$5,082
A06B-0843-B200#3000	SPMTR AC3 6K FT KY RR	\$3,451	A06B-0854-B392#3000	SPMTR A6/12K FLANGE BIS NO KEY	\$6,099
A06B-0843-B400#3000	SPMTR AC3 6K FT NKY	\$3,539	A06B-0854-B400#3000	SPMTR A6/8K FT NK RR	\$4,103
A06B-0843-B902#3300	SPMTR AC3 SPECIAL	\$3,539	A06B-0854-B430#3000	SPMTR A6/8K FT NK RR HRM	\$6,898
A06B-0844-B100#3000	SPMTR AC6 6K FL KY RR	\$3,852	A06B-0854-B490#3000	SP-M ALPHA 6	\$5,035
A06B-0844-B101#3000	SPMTR AC6 6K FL KY FR	\$3,906	A06B-0854-B600#3000	SPINDLE MOTOR A6 SHAFT UP	\$4,065
A06B-0844-B200#3000	SPMTR AC6 6K FT KY RR	\$3,852	A06B-0854-B700#3000	SPMTR A6 1.5K/8K FL N/K RR SHAFT UP	\$4,103
A06B-0845-B100#3000	SPMTR AC8 6K FL KY RR	\$4,869	A06B-0854-B927#3141	ALPHA SPINDLE A6/12K NCE	\$7,490
A06B-0845-B200#3000	SPMTR AC8 6K FT KY RR	\$4,869	A06B-0854-B927#3741	SPMTR AT6/12000 RR ST NKY MZ	\$8,853
A06B-0845-B201#3000	SPMTR AC8 6K FT KY FR	\$4,838	A06B-0854-K560	DIST BLOCK AT6/AT8	\$551
A06B-0846-B100#3000	SPMTR AC12 6K FL KY RR	\$4,879	A06B-0855-B100#3000	SPMTR A8 1.5K/6K FL KY RR	\$5,542
A06B-0847-B100#3000	SPMTR AC15 6K FL KY RR	\$5,296	A06B-0855-B100#3500	SPMTR A8 1.5K/6K FL KY RR	\$5,035
A06B-0847-B101#3000	SP MTR AC15/6K FL KY FR	\$5,296	A06B-0855-B101#3000	SPMTR A8 6K FL KY FR	\$5,082
A06B-0847-B200#3000	SPMTR AC15 6K FT KY RR	\$5,296	A06B-0855-B102#3000	SPMTR A8 8K FL KY RR	\$6,099
A06B-0847-B201#3000	SPMTR AC15 6K FT KY FR	\$5,296	A06B-0855-B130#3000	SPMTR A8 6K FL KY RR HI RES	\$8,131
A06B-0848-B100#3000	SPMTR AC18 4.5K FL RR	\$5,885	A06B-0855-B190#3000	SPMTR A8 FL KY RR 1024 L BIS	\$6,099
A06B-0848-B200#3000	SPMTR AC18 4.5K FT RR	\$5,885	A06B-0855-B192#3000	SPMTR A8 8K FL KY RR	\$7,114
A06B-0849-B100#3000	SPMTR AC22 4.5K FL RR	\$5,885	A06B-0855-B192#3040	SPINDLE MOTOR A8	\$7,114
A06B-0849-B200#3000	SPMTR AC22 4.5K FT RR	\$5,885	A06B-0855-B200#3000	SPMTR A8 1.5K/6K FT KY RR	\$5,082
A06B-0850-B100#3000	SPMTR Alpha1 3K/6K FL KY RR	\$1,423	A06B-0855-B201#3000	SPMTR A8/6K FT KY FR PG	\$5,082
A06B-0850-B101#3000	SPMTR A1 3K/6K FL KY FR	\$1,425	A06B-0855-B202#3000	SPMTR A8 6K	\$6,099
A06B-0850-B190#3000	SPMTR A1 FL KY RR 512 L BIS	\$2,439	A06B-0855-B230#3000	SPMTR A8 6K FT KY RR HI RES	\$8,131
A06B-0850-B200#3000	SPMTR A1 3K/6K FT KY RR	\$1,423	A06B-0855-B290#3000	SPMTR A8 FT KY RR 1024 L BIS	\$6,099
A06B-0850-B290#3000	SPMTR A1 FT KY RR 512 L BIS	\$2,439	A06B-0855-B291#3000	SPINDLE MOTOR	\$6,099
A06B-0850-B300#3000	SP-M ALPHA 1 FLO B	\$1,422	A06B-0855-B292#3000	SPMTR A8 6K FT KY RR	\$7,114
A06B-0850-B301#3000	SPMTR A1 3K/6K FL NKY F	\$1,422	A06B-0855-B300#3000	SPMTR A8 FL WO/KY RR BIS	\$5,035
A06B-0850-B390#3000	SP-M ALPHA 1 FLO B	\$2,481	A06B-0855-B302#3000	SPMTR A8/6K FL NK RR	\$6,099
A06B-0850-B391#3000	SP-M ALPHA 1 FLO F	\$2,439	A06B-0855-B390#3000	SPMTR A8/6K FL NK BIS RR	\$6,099
A06B-0850-B395#3000	ACSPMTR ALPHA1 HS F	\$3,451	A06B-0855-B391#3000	SPMTR A8/6K FL NK BIS FT	\$5,966
A06B-0850-B400#3000	SP-M ALPHA 1 FT B	\$1,422	A06B-0855-B392#3000	SPMTR A8	\$7,114
A06B-0850-B500#3000	SPMTR A1 3/8K FL KY RR SHFT-UP	\$1,425	A06B-0855-B400#3000	SPMTR A8/6K FT NK RR	\$5,035
A06B-0851-B100#3000	SPMTR A1.5 8K FL KY RR	\$1,627	A06B-0855-B430#3000	SPMTR A8/6K FT NK RR HRM	\$7,830
A06B-0851-B190#3000	SPMTR A1 5 8K FL KY RR BIS	\$2,643	A06B-0855-B490#3000	SPMTR A8/6K FT NK BIS RR	\$6,099
A06B-0851-B200#3000	SPMTR A1.5 8K FT KY RR	\$1,627	A06B-0855-B490#C002	SP MTR A8 6K CSA	\$6,099
A06B-0851-B290#3000	SPMTR A1.5 8K FT KY RR BIS	\$2,643	A06B-0855-B600#3000	SPMTR A8 FT RR	\$5,035
A06B-0851-B300#3000	SPMTR A1 5 8K FL NKY RR	\$1,627	A06B-0855-B601#3030	SPMTR A8 FL FR SHAFT UP	\$5,329
A06B-0851-B301#3000	SPMTR A1 5 FL F	\$1,626	A06B-0855-B901#C002	SPMTR A8 SPECIAL	\$7,438
A06B-0851-B390#3000	SPMTR A1 5/8K FL NKY RR BIS	\$2,643	A06B-0855-B927#3341	SPMTR AT8/12K MZ HOLLOW	\$9,950
A06B-0851-B391#3000	SPINDLE MOTOR	\$2,643	A06B-0855-B954#0042	SPMTR ALPHA A8	\$8,345
A06B-0851-B490#0002	SPMTR A1 5 8K FT N/KY RR BIS	\$2,985	A06B-0855-B954#3042	SPMTR A8	\$9,415
A06B-0852-B100#3000	SPMTR A2 8K FL KY RR	\$1,830	A06B-0856-B100#3000	SPMTR A12 1.5K/6K FL KY RR	\$5,082
A06B-0852-B130#3000	SPMTR A2 8K FL KY RR HRM	\$4,879	A06B-0856-B101#3000	SPMTR ALPHA 12 FL F	\$5,082
A06B-0852-B190#3000	SPMTR A2 8K FL KY RR BIS	\$2,837	A06B-0856-B102#3000	SPMTR A12	\$6,312
A06B-0852-B191#3000	SPMTR A2 FL KY FR 512 L BIS	\$2,837	A06B-0856-B130#3000	SPMTR A12 6K FL KY RR HI RES	\$8,131
A06B-0852-B200#3000	SPMTR A2 8K FT KY RR	\$1,830	A06B-0856-B190#3000	SPMTR A12 FL KY RR 1024 L BIS	\$6,099
A06B-0852-B230#3000	SPMTR A2 8K FT KY RR HRM	\$4,879	A06B-0856-B192#3000	SPMTR A12 8K FL KY RR BIS	\$7,114
A06B-0852-B290#3000	SPMTR A2 8K FT KY RR BIS	\$2,837	A06B-0856-B200#3000	SPMTR A12 1.5K/6K FT KY RR	\$5,082
A06B-0852-B301#3000	SP-M ALPHA 2 FLO F	\$1,829	A06B-0856-B230#3000	SPMTR A12 6K FT KY RR HI RES	\$8,131
A06B-0852-B394#3000	SPMTR A2 15K FL NOKEY RR BIS	\$3,863	A06B-0856-B290#3000	SPMTR A12 FT KY RR 1024 L BIS	\$6,099
A06B-0852-B400#3000	SP-M ALPHA 2 FT B	\$1,829	A06B-0856-B300#3000	SPMTR ALPHA 12 FLO B	\$5,082
A06B-0852-B490#3000	SP-M ALPHA 2	\$2,786	A06B-0856-B302#3000	SPMTR A12/8K FL NKY RR PG	\$6,099
A06B-0852-K560	DISTANCE BLOCK FOR AT2/3	\$460	A06B-0856-B390#3000	SP-M ALPHA 12 FLO B	\$6,099
A06B-0853-B100#3000	SPMTR A3 1.5K/8K FL KY RR	\$3,665	A06B-0856-B391#3000	SP-M ALPHA 12 FLO B FT	\$5,966
A06B-0853-B101#3000	SPMTR A3 8K FL KY FR	\$3,665	A06B-0856-B400#3000	SPMTR A12/6K FT NK RR	\$5,035
A06B-0853-B130#3000	SPMTR A3 8K FL KY RR HI RES	\$6,715	A06B-0856-B401#3000	SP-M ALPHA 12 FT F	\$5,082
A06B-0853-B190#3000	SPMTR A3 FL KY RR 512 L BIS	\$4,681	A06B-0856-B430#3000	SPMTR A12/6K FT NK RR HRM	\$7,830
A06B-0853-B200#3000	SPMTR A3 1.5K/8K FT KY RR	\$3,665	A06B-0856-B490#3000	SP-M ALPHA 12	\$5,966
A06B-0853-B230#3000	SPMTR A3 FT KY RR 512 L HRM	\$6,715	A06B-0857-B100#3000	SPMTR A15 1.5K/6K FL KY RR	\$5,484
A06B-0853-B290#3000	SPMTR A3 FT KY RR 512 L BIS	\$4,681	A06B-0857-B130#3000	SPMTR A15 6K FL KY RR HI RES	\$8,533
A06B-0853-B300#3000	SPINDLE MOTOR	\$3,665	A06B-0857-B190#3000	SPMTR A15 FL KY RR 1024 L BIS	\$6,500
A06B-0853-B304#3000	SPMTR A3	\$4,680	A06B-0857-B200#3000	SPMTR A15 1.5K/6K FT KY RR	\$5,484
A06B-0853-B305#3000	AC SPMTR ALPHA 3 HS FL F	\$4,680	A06B-0857-B202#3000	SPMTR A15 1.5K/6K FT KY RR	\$6,335
A06B-0853-B390#3000	SPMTR AP3 FLO B	\$4,680	A06B-0857-B230#3000	SPMTR A15 6K FT KY RR HI RES	\$8,533
A06B-0853-B394#3000	SPMTR A3/12K FL NKY RR BIS	\$5,698	A06B-0857-B290#3000	SPMTR A15 1.5/6K FT KY RR	\$7,516
A06B-0853-B395#3000	SPM A3 FL FF	\$5,697	A06B-0857-B300#3000	SPMTR ALPHA 15	\$5,403
A06B-0853-B400#3000	SP-M ALPHA 3 FT B	\$3,665	A06B-0857-B302#3000	SPMTR A15 1.5K/6K FL NKY RR	\$6,335
A06B-0853-B490#3000	SP-M ALPHA 3	\$4,680	A06B-0857-B390#3000	SPMTR ALPHA 15 FL NKY BIS	\$6,335
A06B-0853-B490#3002	SP-M ALPHA 3	\$4,680	A06B-0857-B390#3030	SPMTR ALPHA 15 FL NKY BIS FR	\$6,821
A06B-0853-B605#3000	SPMTR A3 12K FT KY FR SHAFT-UP	\$4,666	A06B-0857-B492#3000	SPMTR A15 1.5/6K FT N/KY RR	\$7,266
A06B-0853-B927#3441	SPMTR AT3/12000 RR ST NKY MZ	\$7,114	A06B-0857-B500#3000	SPMTR A15 6K FL KY RR SHFT UP	\$5,484
A06B-0854-B100#3000	SPMTR A6 1.5K/8K FL KY RR	\$4,065	A06B-0857-B600#3000	SPMTR A15 FL KY SHAFT UP	\$5,403
A06B-0854-B101#3000	SP MTR A6 FL	\$4,065	A06B-0857-B927#3241	ACSP MOTOR A15/10500	\$9,667
A06B-0854-B130#3000	SPMTR A6 8K FL KY RR HI RES	\$7,114	A06B-0857-B927#3341	ACSP SPINDLE MOTOR A15/10000	\$10,645
A06B-0854-B190#3000	SPMTR A6 FL KY RR 1024 L BIS	\$5,082	A06B-0857-B927#3441	ACSP-AT15/10000	\$7,743
A06B-0854-B192#3000	SPMTR A6 FL KY RR 1024 L BIS	\$5,966	A06B-0857-B961#3046	SPMTR A15	\$6,918
A06B-0854-B200#3000	SPMTR A6 1.5K/8K FT KY RR	\$4,065	A06B-0857-K560	DISTANCE BLOCK AT15/22	\$620
A06B-0854-B201#3000	SPMTR A6/8K FT KY FR PG	\$4,065	A06B-0858-B100#3000	SPMTR A18 1.5K/6K FL KY RR	\$6,099
A06B-0854-B230#3000	SPMTR A6 8K FT KY RR HI RES	\$7,114	A06B-0858-B102#3000	SPMTR A18 1.5K/8K FL KY RR	\$7,114
A06B-0854-B290#3000	SPMTR A6 FT KY RR 1024 L BIS	\$5,082	A06B-0858-B130#3000	SPMTR A18 6K FL KY RR HI RES	\$9,147
A06B-0854-B291#3000	SPMTR A6 8K FT KY FR BIS	\$5,035	A06B-0858-B190#3000	SPMTR A18 FL KY RR 1024 L BIS	\$7,114
A06B-0854-B300#0311	SPMTR ALPHA 6 FL NKY RR	\$4,103	A06B-0858-B192#3000	SPMTR A18 FL KY RR 1024 L BIS	\$7,830
A06B-0854-B300#3000	SPINDLE MOTOR A6 SHAFT UP	\$4,065	A06B-0858-B200#3000	SPMTR A18 1.5K/6K FT KY RR	\$6,099
A06B-0854-B300#3030	SPMTR ALPHA 6 FLO B	\$4,387	A06B-0858-B230#3000	SPMTR A18 6K FT KY RR HI RES	\$9,147

RENEWAL PARTS  
PRICING

D-42



Part Number	Description	Price
A06B-0858-B290#3000	SPMTR A18 FT KY RR 1024 L BIS	\$7,114
A06B-0858-B300#3000	SPMTR A18 1.5K/6K FL NKY RR	\$5,966
A06B-0858-B302#3000	SPMTR A18 1.5K/8K FL NKY RR	\$7,114
A06B-0858-B390#3000	SPMTR A18 FLO BIS RR	\$7,114
A06B-0858-B392#3000	SPMTR A18 FLO BIS RR	\$7,830
A06B-0859-B100#3000	SPMTR A22 1.5K/6K FL KY RR	\$6,099
A06B-0859-B101#3000	SPMTR A22 6K FL KY RR	\$5,966
A06B-0859-B102#3000	SPMTR A22 8K FL ST KY PG RR	\$7,114
A06B-0859-B130#3000	SPMTR A22 6K FL KY RR HI RES	\$9,147
A06B-0859-B190#3000	SPMTR A22 6K FL KY RR BIS	\$7,114
A06B-0859-B192#3000	SPMTR A22 8K FL KY RR BIS	\$8,131
A06B-0859-B200#3000	SPMTR A22 1.5K/6K FT KY RR	\$6,099
A06B-0859-B202#3000	SPMTR A22 8K FT RR	\$6,898
A06B-0859-B202#3003	SPMTR A22 8K FT RR	\$6,923
A06B-0859-B230#3000	SPMTR A22 6K FT KY RR HI RES	\$9,147
A06B-0859-B290#3000	SPMTR A22 6K FL KY RR BIS	\$7,114
A06B-0859-B300#3000	SPMTR ALPHA 22	\$6,099
A06B-0859-B302#3000	SPMTR 22/8K	\$6,898
A06B-0859-B330#3000	SPMTR A22/6K FL NK RR HRM	\$8,796
A06B-0859-B392#3000	SPMTR A22/8K BIS NK	\$7,830
A06B-0859-B392#3003	SPMTR ALPHA 22/8000	\$8,238
A06B-0859-B392#304L	SPMTR 822/8K FL NK BIS RR	\$8,124
A06B-0859-B400#3000	SPMTR A22/6K FT NK RR HRM	\$5,966
A06B-0859-B430#3000	SPMTR A22 6K FT NKY RR HI RES	\$9,147
A06B-0859-B500#3000	SPMTR A22 6K FL-UP KY RR	\$5,966
A06B-0859-B900#C002	SP MTR 22 FL CSA	\$7,035
A06B-0859-B927#3541	SPMTR AT22 10K FL KY RR	\$11,555
A06B-0859-B928#3541	SPMTR AT22 10K FL KY	\$10,969
A06B-0860-B100#3000	SPMTR A30 4.5K FL RR	\$8,131
A06B-0860-B102#3000	SPMTR A30 6K FL KY RR	\$9,147
A06B-0860-B130#3000	SPMTR A30 4.5K FL KY RR HRM	\$11,181
A06B-0860-B190#3000	SPMTR A30 4.5K FL NK RR BIS	\$9,147
A06B-0860-B192#3000	SPMTR A30 6K FL KY RR BIS	\$10,164
A06B-0860-B200#3000	SPMTR A30 4.5K FT KY RR	\$8,131
A06B-0860-B201#3000	SPMTR A30 6K FT FR	\$8,131
A06B-0860-B202#3000	SPMTR A30 6K FT KY RR	\$9,147
A06B-0860-B230#3000	SPMTR A30 4.5K FT KY RR HRM	\$11,181
A06B-0860-B290#3000	SPMTR A30 4.5K FT NK RR BIS	\$9,147
A06B-0860-B292#3000	SPMTR A30 6K FT KY RR BIS	\$10,164
A06B-0860-B332#3000	SPMTR A30 6K FL NK RR HRM	\$12,196
A06B-0860-B400#3000	SPMTR A30 4.5K FT N/KY RR	\$7,830
A06B-0860-B401#3000	SPMTR A30 4.5K FT N/KY FR	\$7,830
A06B-0861-B100#3000	SP MTR A40 FL	\$8,131
A06B-0861-B200#3000	SPMTR A40 4.5K FT RR	\$8,131
A06B-0861-B200#3300	SPMTR A40 4.5K FT RR	\$7,933
A06B-0861-B202#3400	SPMTR A40 4.5K FT HI SPEED	\$9,147
A06B-0861-B291#3000	SPMTR A40/4.5K FT KY FT HRM	\$8,762
A06B-0861-B392#3000	SPMTR A40 4500 FL WOK BIS	\$10,164
A06B-0861-B392#3400	SPMTR A40 4500 FL NKY BIS	\$9,916
A06B-0861-B900#C402	SP MTR A40/6000 DIN CSA	\$9,551
A06B-0861-B902#C402	SPMTR A40 6K CSA	\$9,469
A06B-0861-B903#C402	SP MTR A40/6000 DIN CSA	\$9,870
A06B-0866-B300#3000	SPMTR A0.5 8K FL NKY RR	\$1,323
A06B-0866-B300#3030	SPMTR A0.5 8K FL NKY RR	\$1,637
A06B-0866-B380#3000	SPMTR A0.5 8K FL NKY RR BIS	\$2,360
A06B-0866-B390#3000	SPMTR A0.5 8K FL NKY RR BIS	\$2,339
A06B-0868-B100#3000	SPMTR A40 6K FL KY RR	\$8,559
A06B-0868-B130#3000	SPMTR A40 6K FL KY RR HRM	\$11,608
A06B-0868-B190#3000	SPMTR A40 6K FL KY RR BIS	\$9,576
A06B-0868-B200#3000	SPMTR A40 6K FT KY RR	\$8,559
A06B-0868-B230#3000	SPMTR A40 6K FT KY RR HRM	\$11,608
A06B-0868-B290#3000	SPMTR A40 6K FT KY RR BIS	\$9,576
A06B-0868-B300#3000	SPMTR A40 6K FL W/O KY RR	\$8,559
A06B-0868-B390#3000	SPMTR A40 6K FL N/KY RR BIS	\$9,575
A06B-0868-B490#3000	SPINDLE MOTOR A40	\$9,575
A06B-0868-B600#3000	SPMTR ALPHA 40	\$8,222
A06B-0869-B390#3040	SPMTR AT2 SPECIAL	\$5,055
A06B-0869-B900#0541	SPMTR ALPHA 40	\$5,010
A06B-0869-B927#3841	SPMTR AT2/15000 RR ST NKY MZ	\$8,559
A06B-0871-B390#3040	SPMTR 1.5/15000 FL BIS RR	\$3,906
A06B-0871-B390#304N	ALPHA SPINDLE 1.5/15000	\$3,611
A06B-0871-B927#3541	SPMTR AT1 5/15000 RR ST NKY MZ	\$7,489
A06B-0874-B190#3000	SPMTR A6HV FL KY RR BIS	\$6,015
A06B-0874-B390#3000	SPMTR A6HV FL NKY RR BIS	\$6,015
A06B-0876-B190#3000	SPMTR A12HV FL KY RR BIS	\$6,604
A06B-0876-B390#3000	SPMTR A12HV FL NKY RR BIS	\$6,604
A06B-0877-B100#3000	SPMTR A15HV 6K FL KY RR	\$5,483
A06B-0877-B190#3000	SPMTR A15HV 6K FL RR	\$6,499
A06B-0877-B200#3000	SPMTR A15HV 6K FT RR	\$5,403
A06B-0878-B100#3000	SPMTR A18HV 6K FL KY RR	\$5,966
A06B-0878-B200#3000	SPMTR 1A8HV 6K FT RR	\$5,966
A06B-0879-B100#3000	SPMTR A22HV 6K FL KY RR	\$6,099
A06B-0879-B190#3000	SPMTR A22HV 6K FL KY RR BIS	\$6,898
A06B-0879-B200#3000	SPMTR A22HV 6K FT RR	\$5,966

Part Number	Description	Price
A06B-0881-B100#3000	SPMTR ALPHA 40HV	\$8,559
A06B-0883-B100#3000	SPMTR A60HV 4.5K FL KY RR	\$17,064
A06B-0883-B130#3000	SPMTR A60HV 4.5K FL KY RR HRM	\$20,114
A06B-0883-B190#3000	SPMTR A60HV/4.5K FL KY RR BIS	\$16,952
A06B-0883-B200#3000	SPMTR A60HV 4.5K FT KY RR	\$17,064
A06B-0883-B201#3000	SPMTR A60HV 4.5K FT KY FR	\$17,064
A06B-0883-B230#3000	SPMTR A60HV 4.5K FT KY RR HRM	\$20,114
A06B-0884-B900#3000	SPMTR A100HV FL FT MZ SENSOR	\$36,109
A06B-0890-B100#3000	SPMTR A1 8K FL RR (IP65)	\$2,221
A06B-0890-B190#3000	SPMTR A1 8K BIS FL RR (IP65)	\$3,291
A06B-0890-B390#3000	SPMTR A1 8K FL RR NKY BIS IP65	\$3,291
A06B-0891-B100#3000	SPMTR A1.5 8K FL RR (IP65)	\$2,435
A06B-0891-B190#3000	SPMTR A1.5 8K BIS FL RR (IP65)	\$3,504
A06B-0891-B300#3000	SPMTR A1.5 8K FL NKY RR IP65	\$2,435
A06B-0891-B390#3000	SPMTR A1.5 8K FL NKY BIS IP65	\$3,504
A06B-0892-B100#3000	SPMTR A2 8K FL RR (IP65)	\$2,568
A06B-0892-B190#3000	SPMTR A2 8K BIS FL RR (IP65)	\$3,638
A06B-0892-B390#3000	SPMTR A2 8K FL RR NKY BIS IP65	\$3,711
A06B-0893-B100#3000	SPMTR A3 8K FL RR (IP65)	\$4,574
A06B-0893-B190#3000	SPMTR A3 8K BIS FL RR (IP65)	\$5,643
A06B-0893-B300#3000	SPMTR A3 8K FL NKY RR	\$4,574
A06B-0893-B390#3000	SPMTR A3 8K FL NKY RR BIS	\$5,643
A06B-0898-B927#3C41	SPMTR AT15/12000	\$10,940
A06B-0921-B312#3000	SPM B1 3/15K A2	\$2,782
A06B-0922-B304#3000	SPM B2 1.5/8K	\$3,425
A06B-0922-B311#3000	SPM B2 1.5/8K B1	\$3,425
A06B-0922-B611#3000	SP MTR BI B-2	\$3,425
A06B-0922-B641#3000	SP MTR BUILT-IN B2	\$5,540
A06B-0922-B909#3000	SP MTR BI B2-VH	\$4,065
A06B-0926-B302#3000	SPM B6 1.1/10K OR 1.5/10K	\$4,922
A06B-0926-B311#3000	SPM B6 1.1*1.5/10K A*B/1	\$4,922
A06B-0926-B342#3000	SPM B6 1.1*1.5/10K A*B/1	\$8,131
A06B-0926-B741#3000	SP MTR BUILT-IN B6	\$7,017
A06B-0926-B901#3000	SPMTR BUILT-IN B6	\$5,329
A06B-0926-B907#3000	SP MTR BI TYPE C W HYDRCL REL	\$5,136
A06B-0935-B311#3000	SP MTR BUILT-IN	\$6,130
A06B-0937-B111#3000	SP MTR BUILT-IN B17	\$7,490
A06B-0951-B312#3000	SP MTR BUILT-IN B1.5	\$3,211
A06B-0953-B612#3000	SPM B0.3 6/6K A2	\$2,354
A06B-0958-B311#3000	SPMTR B8 BUILT-IN	\$6,419
A06B-0958-B511#3000	SP MTR B8 1500/12000 15/18.5KW	\$6,420
A06B-0958-B611#3000	SP MTR BUILT-IN B8	\$7,017
A06B-0958-B711#3000	SP MTR BUILT-IN	\$6,206
A06B-0958-B901#3000	SP MTR BUILT-IN	\$6,633
A06B-0960-B111#3000	SP MTR B28 4/6K C1	\$7,917
A06B-0965-B111#3000	SP MTR BUILT-IN	\$11,770
A06B-0965-B901#3000	SP MTR BUILT-IN B-35	\$10,699
A06B-0970-B313#3000	SP MTR BUILT-IN	\$15,407
A06B-0973-B611#3000	SPMTR B50 3K/8K 22/26 KW	\$15,620
A06B-0982-B611#3000	SPINDLE MOTOR	\$3,425
A06B-1001-B001#3000	SP MTR FL	\$1,499
A06B-1002-B100#3000	SP MTR	\$1,927
A06B-1002-B200#3000	AC SPINDLE #2 FOOT	\$1,927
A06B-1003-B100#3000	AC MOTOR SPINDLE 3H	\$3,852
A06B-1003-B200#3000	AC SPINDLE #3 FOOT	\$3,852
A06B-1003-B306#3000	AC SPINDLE 3H 5HP 12000RPM	\$4,280
A06B-1006-B100#3000	AC SPINDLE MOTOR 6	\$4,280
A06B-1006-B102#3000	SP MTR 8 FLANGE	\$5,042
A06B-1006-B220#3000	SP MTR 6 FOOT	\$4,521
A06B-1006-B306#3000	AC SPINDLE 6H 7.4HP 12K RPM	\$4,280
A06B-1008-B100#3000	SP MTR 8 FL KY RR	\$5,350
A06B-1008-B103#3000	SP MTR #8 FLANGE	\$5,350
A06B-1008-B150#3000	SP MTR 8 FL KY RR	\$7,290
A06B-1008-B200#3000	SP MTR #8	\$5,350
A06B-1008-B302#3000	SPINDLE MOTOR	\$6,359
A06B-1012-B100#3000	SP MTR R FLANGE	\$5,350
A06B-1012-B102#3000	SP MTR 12 FL R KY	\$5,350
A06B-1012-B200#3000	SP MTR 12 FOOT	\$5,350
A06B-1015-B100#3000	SP MTR 15 FLANGE MT	\$5,778
A06B-1015-B200#3000	SP MTR 15 FOOT MT	\$5,778
A06B-1018-B100#3000	SP MTR 18 FL KY	\$6,419
A06B-1018-B200#3000	SP MTR #18 FOOT	\$5,026
A06B-1018-B910#3000	SPINDLE MOTOR	\$7,193
A06B-1018-B910#3211	SPINDLE MOTOR	\$6,833
A06B-1022-B100#3000	SP MTR 22 FL R KY	\$6,419
A06B-1022-B101#3000	SP MTR 22 FL	\$6,419
A06B-1022-B200#3000	SP MTR 22P	\$6,419
A06B-1022-B201#3000	AC SPINDLE #22 FOOT	\$6,833
A06B-1022-B402#3000	SPINDLE MOTOR 22 H FOOT MOUNT	\$7,490
A06B-1030-B100#3000	SP MTR 30 1.15/4.5K FL R KY	\$8,559
A06B-1030-B200#3000	SP MTR 30 1.15/4.5K FT R KY	\$8,559
A06B-1030-B201#3000	SP MTR 30 1.15/4.5K FT R KY	\$8,559
A06B-1040-B100#3000	SP MTR 40 1.15/4.5K FL R KY	\$8,559
A06B-1040-B200#3000	SP MTR 40 1.15/4.5K FT R KY	\$8,559

RENEWAL PARTS  
PRICING

D-43



# A06B-1040-B201#3000

Part Number	Description	Price	Part Number	Description	Price
A06B-1040-B201#3000	SP MTR 40 1.15/4.5K FT F KY	\$8,559	A06B-1405-B100	SPMTR a3/10000i FLAN M RR	\$3,665
A06B-1040-B401#3000	SPMTR 40 1.15/4.5K FT F	\$8,559	A06B-1405-B103	SPMTR A-I 3/10K FLAN MZ RR	\$4,680
A06B-1044-B201#3100	SPMTR ALPHA 3	\$3,900	A06B-1405-B150	SPMTR A-I 3/10K FLAN M RR	\$3,735
A06B-1044-B301#3000	SPMTR ALPHA 6	\$3,735	A06B-1405-B200	SPMTR a3/10000i FOOT M RR	\$3,665
A06B-1065-B925#3211	SP MOTOR 15 HIGH SPEED	\$11,341	A06B-1405-B203	SPMTR A-I 3/10K FOOT MZ RR	\$4,680
A06B-1130-B200#3000	AC SPINDLE 30HV FT-R 4500RPM	\$8,559	A06B-1406-B100	SPMTR a6/10000i FLAN M RR	\$4,065
A06B-1140-B100#3000	AC SPINDLE 40HV FL-R 4500RPM	\$8,559	A06B-1406-B103	SPMTR A-I 6/10K FLAN MZ RR	\$5,082
A06B-1140-B200#3000	AC SPINDLE 40HV FT-R 4500RPM	\$8,559	A06B-1406-B200	SPMTR a6/10000i FOOT M RR	\$4,065
A06B-1152-B304#3000	AC SPINDLE 2H 3HP 15000RPM	\$2,782	A06B-1406-B203	SPMTR A-I 6/10K FOOT MZ RR	\$5,082
A06B-1211-B113#1112	SPMTR AB80M-1.5 T012 BIS	\$2,653	A06B-1407-B100	SPMTR a8/8000i FLAN M RR	\$5,082
A06B-1212-B413#1112	SPMTR AB80L-1.1/8000 BIS	\$3,049	A06B-1407-B103	SPMTR A-I 8/8K FLAN MZ RR	\$6,099
A06B-1212-B413#111A	SPMTR AB80L-1.1/8000 HIRES	\$6,099	A06B-1407-B200	SPMTR a8/8000i FOOT M RR	\$5,082
A06B-1221-B413#1111	SPMTR AB100S-2.2/8000 BIS	\$3,368	A06B-1407-B203	SPMTR A-I 8/8K FOOT MZ RR	\$6,099
A06B-1221-B413#1112	SPMTR AB100S-2.2/8000 BIS	\$3,368	A06B-1408-B100	SPMTR A-I 12/7K FLAN M RR	\$5,082
A06B-1221-B413#111A	SPMTR AB100S-2.2/8000 HIRES	\$6,163	A06B-1408-B103	SPMTR A12/7000i FLAN FRNT MI	\$5,082
A06B-1221-B413#Z111	SP MTR BI AB2 5.5KW	\$3,263	A06B-1408-B101	SPMTR A-I 12/7K FLAN MZ RR	\$6,099
A06B-1222-B901#3901	SPMTR AB4.5	\$8,559	A06B-1408-B104	SPMTR A12/7000i FLAN FRNT MZI	\$6,099
A06B-1222-B901#C901	SPMTR AB4.5 CSA	\$9,202	A06B-1408-B150	SPMTR A-I 12/7K FLAN M RR KY	\$5,035
A06B-1229-B901#1011	SPMTR AB 2.2/3.7KW	\$4,173	A06B-1408-B153	SPMTR A-I 12/7K FLAN MZ RR KY	\$6,099
A06B-1229-B901#101A	SPMTR BUILT IN	\$7,221	A06B-1408-B200	SPMTR A-I 12/7K FOOT M RR	\$5,082
A06B-1232-B412#1111	SPMTR AB112M-5.5/10000 BIS	\$4,681	A06B-1408-B203	SPMTR A-I 12/7K FOOT MZ RR	\$6,099
A06B-1232-B412#111A	SPMTR AB112M-5.5/10000 HIRES	\$7,730	A06B-1409-B100	SPMTR a15/7000i FLAN M RR	\$5,483
A06B-1232-B412#111B	SPMTR AB112M-5.5/10000 HIRES	\$7,730	A06B-1409-B103	SPMTR A-I 15/7K FLAN MZ RR	\$6,499
A06B-1232-B412#311B	SPMTR BUILT-IN	\$7,490	A06B-1409-B150	SPMTR A-I 15/7K FLAN M RR KY	\$5,483
A06B-1232-B413#3111	SPMTR B6 BUILT IN	\$4,666	A06B-1409-B200	SPMTR a15/7000i FOOT M RR	\$5,483
A06B-1232-B415#1617	SPMTR AB112M-15/20K BIS	\$8,345	A06B-1409-B203	SPMTR A-I 15/7K FOOT MZ RR	\$6,499
A06B-1233-B410#1111	SPMTR AB112L-5.5/12000 BIS	\$6,099	A06B-1410-B100	SPMTR A-I 18/7K FLAN M RR	\$6,099
A06B-1233-B410#1112	SPMTR AB112L-5.5/12000 BIS	\$6,099	A06B-1410-B103	SPMTR A-I 18/7K FLAN MZ RR	\$7,114
A06B-1233-B411#1111	SPMTR AB112L-18.5/14000 BIS	\$6,099	A06B-1410-B200	SPMTR A-I 18/7K FOOT M RR	\$6,099
A06B-1233-B421#0901	SPMTR A8 1/3.5K BUILT IN	\$9,497	A06B-1410-B203	SPMTR A-I 18/7K FOOT MZ RR	\$7,114
A06B-1234-B421#3901	SPMTR A8 1/3.5K BUILT IN	\$9,708	A06B-1411-B100	SPMTR a22/7000i FLAN M RR	\$6,099
A06B-1234-B410#1111	SPMTR AB112LL-5.5/12000 BIS	\$6,206	A06B-1411-B103	SPMTR A-I 22/7K FLAN MZ RR	\$7,114
A06B-1234-B411#4111	SPMTR AB112LL-18.5/12000 BIS	\$6,064	A06B-1411-B150	SPMTR A-I 22/7K FLAN M RR KY	\$5,966
A06B-1234-B411#N111	SPMTR AB112LL-18.5/12000 BIS	\$6,205	A06B-1411-B153	SPMTR A-I 22/7K FLAN MZ RR KY	\$7,114
A06B-1234-B411#T111	SPMTR AB112LL-18.5/12000 BIS	\$6,206	A06B-1411-B200	SPMTR a22/7000i FOOT M RR	\$6,099
A06B-1241-B410#1111	SPMTR AB132L-5.5/12000 BIS	\$7,114	A06B-1411-B203	SPMTR A-I 22/7K FOOT MZ RR	\$7,114
A06B-1241-B610#1111	SPMTR AB132L-22 BIS	\$8,131	A06B-1412-B100	SPMTR a30/6000i FLAN M RR	\$8,131
A06B-1251-B412#1111	SPMTR AB160S-5.5/6000 BIS	\$5,280	A06B-1412-B103	SPMTR A30I/6K FLAN MZ RR	\$9,147
A06B-1252-B412#1111	SPMTR AB160M-5.5/7000 BIS	\$5,618	A06B-1412-B200	SPMTR a30/6000i FOOT M RR	\$8,131
A06B-1252-B670#3406	SPMTR BUILT IN	\$6,653	A06B-1412-B203	SPMTR A30I/6K FOOT MZ RR	\$9,147
A06B-1252-B712#1111	SPMTR AB160M-11	\$6,419	A06B-1413-B100	SPMTR a40/6000i FLAN M RR	\$8,559
A06B-1252-B712#4116	SPMTR AB160M-11 BIS	\$6,261	A06B-1413-B103	SPMTR A40I/6K FLAN MZ RR	\$9,575
A06B-1252-B712#5936	SPMTR AB160M-5.5 W/SLEEVE	\$6,727	A06B-1413-B200	SPMTR a40/6000i FOOT M RR	\$8,559
A06B-1255-B411#T111	SPMTR AB160L-7.5/12000 BIS	\$7,490	A06B-1413-B203	SPMTR A40I/6K FOOT MZ RR	\$9,575
A06B-1255-B411#T114	SPMTR AB160L-7.5/12000 BIS	\$7,490	A06B-1424-B123	SPMTR A2I/1.5K	\$4,868
A06B-1255-B411#T11C	SPMTR AB 160L-7.5 W/ HI RES	\$10,539	A06B-1426-B100	SPMTR A6I/12K FLAN M RR	\$5,082
A06B-1256-B411#1111	SPMTR AB160LL-25/13000 BIS	\$8,131	A06B-1427-B100	SPMTR A8I/10K FL WO/KY	\$6,099
A06B-1256-B411#1114	SPMTR AB160LL-25/13000 T014	\$8,131	A06B-1435-B200	SPMTR AC3/6000i FOOT REAR	\$3,451
A06B-1256-B411#Z111	SPMTR BUILT-IN	\$8,131	A06B-1436-B100	SPMTR AC6/6000i FLAN REAR	\$3,851
A06B-1256-B421#Z114	SPM, BUILT IN	\$11,020	A06B-1437-B100	SPMTR AC8/6000i FLAN REAR	\$4,868
A06B-1261-B410#1111	SPMTR AB180M-11/6000 BIS	\$8,988	A06B-1444-B100	B3/10000i SP MTR FL MI RR	\$1,549
A06B-1261-B410#1113	SPMTR AB180M-11/6000 BIS	\$9,415	A06B-1444-B103	B3/10000i SP MTR FL MZI RR	\$1,655
A06B-1261-B410#1116	SPMTR AB180M-11/6000 BIS	\$10,271	A06B-1444-B203	B3/10000i SP MTR FT MZI RR	\$1,655
A06B-1261-B410#Z111	SP MTR AB32 11/15 KW	\$8,988	A06B-1445-B103	B6/10000i SP MTR FL MZI RR	\$1,856
A06B-1262-B410#1111	SPMTR AB180L-22	\$10,271	A06B-1445-B203	B6/10000i SP MTR FT MZI RR	\$1,856
A06B-1262-B410#1113	SPMTR AB180L-22	\$10,699	A06B-1446-B103	B8/8000i SP MTR FL MZI RR	\$2,030
A06B-1263-B411#1111	SPMTR AB180LL-22/8000 BIS	\$11,181	A06B-1446-B203	B8/8000i SP MTR FT MZI RR	\$2,030
A06B-1263-B411#Z111	BUILT IN SP MOTOR	\$11,180	A06B-1447-B103	B12/7000i SP MTR FL MZI RR	\$2,246
A06B-1263-B411#Z141	SPMTR BUILT-IN	\$10,626	A06B-1447-B203	B12/7000i SP MTR FT MZI RR	\$2,246
A06B-1304-B301#3000	SP MTR	\$9,629	A06B-1448-B100	SPMTR AP-I 12/6K FLAN M RR	\$5,697
A06B-1307-B923#3046	SP MTR 15S KEY/OIL COOLING R	\$11,483	A06B-1448-B103	SPMTR AP-I 12/6K FLAN MZ RR	\$6,714
A06B-1310-B303#3000	SP MOTOR L30/4500	\$13,851	A06B-1448-B200	SPMTR AP-I 12/6K FOOT M RR	\$5,697
A06B-1329-B394#3041	SPMTR OIL COOLED L22/10000	\$14,551	A06B-1448-B203	SPMTR AP-I 12/6K FOOT MZ RR	\$6,714
A06B-1332-B900#3041	SP MTR L50/8000 OIL FL HS BIS	\$27,816	A06B-1449-B100	SPMTR AP-I 15/6K FLAN M RR	\$6,714
A06B-1357-B904#3042	SPMTR AL15/6000	\$11,165	A06B-1449-B103	SPMTR AP-I 15/6K FLAN MZ RR	\$7,730
A06B-1375-B390#0B41	SPMTR AL8/12K OILCOOL 18.5/22KW	\$10,164	A06B-1449-B200	SPMTR AP-I 15/6K FOOT M RR	\$6,714
A06B-1375-B390#3B41	SPMTR AL8/12K OILCOOL 18.5/22KW	\$9,694	A06B-1449-B203	SPMTR AP-I 15/6K FOOT MZ RR	\$7,730
A06B-1375-B392#3F41	SPMTR A L8/15000 LC FL KY	\$11,501	A06B-1451-B100	SPMTR AP-I 22/6K FLAN M RR	\$7,114
A06B-1389-B390#3041	SPMTR AL26 FL/NK OIL COOL HSFT	\$14,551	A06B-1451-B103	SPMTR AP-I 22/6K FLAN MZ RR	\$8,131
A06B-1389-B395#0D4A	SPMTR ALPHA L26	\$18,032	A06B-1451-B113	SPMTR A22/8000iP FL MZI RR	\$9,147
A06B-1401-B102	SPMTR A-I 0.5/10K FLAN M	\$1,321	A06B-1451-B200	SPMTR AP-I 22/6K FOOT M RR	\$7,114
A06B-1401-B105	SPMTR A-I 0.5/10K FLAN MZ	\$2,338	A06B-1451-B203	SPMTR AP-I 22/6K FOOT MZ RR	\$8,131
A06B-1402-B100	SPMTR A-I 1/10K FOOT M RR	\$1,422	A06B-1452-B100	SPMTR AP-I 30/6K FLAN M RR	\$8,131
A06B-1402-B103	SPMTR A1/10000i FLAN REAR MZI	\$2,439	A06B-1452-B103	SPMTR AP-I 30/6K FLAN MZ RR	\$9,147
A06B-1402-B200	SPMTR A-I 1/10K FLAN M RR	\$1,422	A06B-1452-B200	SPMTR AP-I 30/6K FOOT M RR	\$8,131
A06B-1403-B100	SPMTR A-I 1.5/10K FOOT M RR	\$1,626	A06B-1452-B203	SPMTR AP-I 30/6K FOOT MZ RR	\$9,147
A06B-1403-B103	SPMTR A1.5/10000i FLAN REAR MZI	\$2,643	A06B-1453-B100	SPMTR AP-I 40/6K FLAN M RR	\$8,131
A06B-1403-B153	SPMTR A1.5/10000i FLAN UPSIDE REAR MZI	\$2,985	A06B-1453-B103	SPMTR AP-I 40/6K FLAN MZ RR	\$9,147
A06B-1403-B200	SPMTR A-I 1.5/10K FLAN M RR	\$1,626	A06B-1453-B200	SPMTR AP-I 40/6K FOOT M RR	\$8,131
A06B-1404-B100	SPMTR A-I 2/10K FLAN M RR	\$1,829	A06B-1453-B203	SPMTR AP-I 40/6K FOOT MZ RR	\$9,147
A06B-1404-B103	SPMTR A-I 2/10K FLAN MZ RR	\$2,836	A06B-1454-B100	SPMTR AP-I 50/6K FLAN M RR	\$15,861
A06B-1404-B153	SPMTR A-I 2/10K FLAN UPSIDE MZ RR	\$2,974	A06B-1454-B103	SPMTR AP-I 50/6K FLAN MZ RR	\$16,877
A06B-1404-B200	SPMTR A-I 2/10K FOOT M RR	\$1,829	A06B-1454-B200	SPMTR AP-I 50/6K FOOT M RR	\$15,861
A06B-1404-B203	SPMTR A-I 2/10K FOOT MZ RR	\$2,836	A06B-1454-B203	SPMTR AP-I 50/6K FOOT MZ RR	\$16,877

RENEWAL PARTS  
PRICING

D-44





Part Number	Description	Price	Part Number	Description	Price
A06B-1455-B100	SPMTR AP-I 60/4.5K FLAN M RR	\$17,064	A06B-6041-K205	CABLE K02 (ORNT-SCU)	\$151
A06B-1455-B103	SPMTR AP-I 60/4.5K FLAN MZ RR	\$18,081	A06B-6042-C053	REGEN RESISTOR UNIT	\$1,565
A06B-1455-B200	SPMTR AP-I 60/4.5K FOOT M RR	\$17,064	A06B-6042-H041	CHOKE COIL	\$360
A06B-1455-B203	SPMTR AP-I 60/4.5K FOOT MZ RR	\$18,081	A06B-6042-H053	REGEN RESISTOR 1200 WATT	\$1,124
A06B-1456-B100	SPMTR AP-I 18/6K FLAN M RR	\$7,114	A06B-6042-H054	REGEN RESISTOR 1200 WATT	\$730
A06B-1456-B103	SPMTR AP-I 18/6K FLAN MZ RR	\$8,131	A06B-6042-H055	REGEN RESISTOR 1200 WATT	\$696
A06B-1456-B113	SPMTR A18/8000IP FLAN MZI RR	\$9,147	A06B-6044-C509	ROM ASS'Y	\$151
A06B-1456-B200	SPMTR AP-I 18/6K FOOT M RR	\$7,114	A06B-6044-C516#J05	SPINDLE ROM	\$184
A06B-1456-B203	SPMTR AP-I 18/6K FOOT MZ RR	\$8,131	A06B-6044-C605	FAN UNIT	\$541
A06B-1466-K560	DISTANCE BLOCK FOR AIT 15/22	\$551	A06B-6044-H011	SPINDLE AMP 15S	\$14,279
A06B-1467-B123#0021	SPMTR ATI-8/12K FLAN MZ RR	\$9,950	A06B-6044-H016	AC SERVO DRIVE	\$14,181
A06B-1471-B123#0021	SPMTR A22/10000IT FLAN MZ RR	\$11,555	A06B-6044-H023	ACSP 15/EXT.FIN	\$12,980
A06B-1471-B123#0024	SPMTR AT22/10000I 22/26KW FL NK RR	\$11,555	A06B-6044-H047	ACSP 18/EXT.FIN	\$11,729
A06B-1501-B102	SPMTR A0.5/10000HV FLAN NOFAN MI	\$1,321	A06B-6044-H049	ACSP 22/EXT.FIN	\$14,010
A06B-1501-B105	SPMTR A0.5/10000HV FLAN NOFAN MZI	\$2,338	A06B-6044-H103	ACSP UNIT M-3	\$9,130
A06B-1502-B104	SPMTR A1/10000HV FLAN FRNT MZI	\$2,439	A06B-6044-H106	ACSP UNIT M-6	\$9,130
A06B-1504-B104	SPMTR A2/10000HV FLAN FRNT MZI	\$2,836	A06B-6044-H108	ACSP UNIT M-8	\$10,380
A06B-1505-B100	SPMTR a3/10000HV FLAN REAR MI	\$3,665	A06B-6044-H130	SP AMP 30 4.5K	\$22,911
A06B-1505-B200	SPMTR a3/10000HV FOOT REAR MI	\$3,665	A06B-6044-H133	SPINDLE AMP M-30	\$18,032
A06B-1506-B100	SPMTR a6/10000HV FLAN REAR MI	\$4,065	A06B-6044-H140	SP AMP 40 4.5K	\$26,542
A06B-1506-B103	SPMTR A6/10000HV FLAN REAR MZI	\$5,082	A06B-6044-H160	SPINDLE AMP 6 8000 RPM	\$10,380
A06B-1506-B200	SPMTR a6/10000HV FOOT REAR MI	\$4,065	A06B-6044-H166	SPINDLE AMP 6	\$9,914
A06B-1507-B100	SPMTR a8/8000HV FLAN REAR MI	\$5,082	A06B-6044-H169	SPINDLE#3 HIGH SPEED	\$9,448
A06B-1507-B103	SPMTR A8/8000HV FLAN REAR MZI	\$6,099	A06B-6044-H203	ACSP M3/EXT.FIN	\$9,130
A06B-1507-B200	SPMTR a8/8000HV FOOT REAR MI	\$5,082	A06B-6044-H206	ACSP M6/EXT.FIN	\$9,130
A06B-1509-B100	SPMTR a15/7000HV FLAN REAR MI	\$5,483	A06B-6044-H208	ACSP M8/EXT.FIN	\$10,380
A06B-1509-B200	SPMTR a15/7000HV FOOT REAR MI	\$5,483	A06B-6044-H260	SP UNIT 8/6000RPM	\$9,890
A06B-1511-B100	SPMTR a22/7000HV FLAN REAR MI	\$6,099	A06B-6044-H266	SPINDLE AMP 6	\$10,380
A06B-1511-B103	SPMTR A22/7000HV FLAN REAR MZI	\$7,114	A06B-6044-H269	SPINDLE#3 HIGH SPEED	\$9,448
A06B-1511-B150	SPMTR A22/7000HV FL KY RE MI	\$6,099	A06B-6044-H308	S/P PWM INVERTER	\$10,380
A06B-1511-B153	SPMTR A22/7000HV FLAN REAR MZI KY	\$7,114	A06B-6044-H408	SP UNIT 8/6000RPM	\$11,165
A06B-1511-B200	SPMTR a22/7000HV FOOT REAR MI	\$6,099	A06B-6044-H412	SP UNIT 12/6000RPM	\$12,392
A06B-1511-B203	SPMTR A22/7000HV FOOT REAR MZI	\$7,114	A06B-6044-H603	SPINDLE SIGNAL CONV CKT	\$489
A06B-1512-B100	SPMTR a30/6000HV FLAN REAR MI	\$8,131	A06B-6044-H605	SIGNAL CONVERSION CKT	\$489
A06B-1512-B103	SPMTR A30/6000HV FLAN REAR MZI	\$9,147	A06B-6044-H606	SIGNAL CONV CIRCUIT	\$420
A06B-1512-B153	SPMTR A30/6000HV FLAN REAR MZI KY	\$9,147	A06B-6044-J006	TRANSFORMER EX-Use:A80L-0001-0313	\$3,327
A06B-1512-B200	SPMTR a30/6000HV FOOT REAR MI	\$8,131	A06B-6044-J007	Transformer: Use:A80L-0001-0314	\$3,815
A06B-1513-B100	SPMTR a40/6000HV FLAN REAR MI	\$8,559	A06B-6044-J008	AUTO TRANS	\$2,326
A06B-1513-B103	SPMTR A40/6000HV FLAN REAR MZI	\$9,575	A06B-6044-J010	TRANSFORMER EX (18/22)	\$7,904
A06B-1513-B150	SPMTR A40/6000HV FLAN MI RR KY	\$8,559	A06B-6044-J011	AT TRANS(18/22)	\$2,853
A06B-1513-B200	SPMTR a40/6000HV FOOT REAR MI	\$8,559	A06B-6044-J015	POWER TRANSFORMER 64KVA	\$7,242
A06B-1515-B103	SPMTR A60/4500HV FLAN REAR MZI	\$18,081	A06B-6044-J016	FAN MOTOR UNIT	\$458
A06B-1515-B153	SPMTR A60/4500HV KY ST FL RR MZI	\$18,081	A06B-6044-J017	SPINDLE GAIN PC BOARD	\$281
A06B-1515-B200	SPMTR a60/4500HV FOOT REAR MI	\$17,064	A06B-6044-K009	CONNECTOR SOLDER	\$62
A06B-1517-B853	SPMTR A100/4000HV KY FT+FLAN LO/RE	\$36,161	A06B-6044-K013	FUSE KIT	\$265
A06B-1529-B103	SPMTR A15/10000HV FI Mzi Sensor RR	\$7,516	A06B-6044-K014	FUSE(M-15)	\$274
A06B-1531-B150	SPMTR A22/10000HV FLAN MI RR KY	\$7,114	A06B-6044-K015	FUSE(M-18)	\$310
A06B-1553-B103	SPMTR AP40/6000HV FLAN MZI RR	\$9,147	A06B-6044-K016	FUSE(M-22)	\$326
A06B-1553-B153	SPMTR AP40/6000HV FLAN MZI RR KY	\$9,147	A06B-6044-K017	CABLE	\$396
A06B-1553-B200	SPMTR AP40/6000HV FOOT M RR	\$8,131	A06B-6044-K018	CABLE 7 METERS	\$231
A06B-1567-B123#0021	SPMTR AT8/12000HV FLAN NKY STD MZ	\$9,950	A06B-6044-K019	CABLE 7 METERS	\$394
A06B-1571-B123#0024	SPMTR AT22/12000HV FLAN NKY STD MZ RR	\$10,969	A06B-6044-K020	CABLE	\$668
A06B-1579-B133#0324	SPMTR AT15HV/15000	\$11,411	A06B-6044-K021	CABLE	\$649
A06B-1623-B170#Z011	BISPMTR AB80M/15000I 1.5KW	\$2,702	A06B-6044-K022	CABLE 7 METERS	\$44
A06B-1623-B170#Z012	BISSPMTR AB80M/15000I 1.5KW 128T	\$2,653	A06B-6044-K023	CABLE	\$225
A06B-1723-B120#K311	SPMTR A160M/13000IB W/BZI	\$6,419	A06B-6044-K024	CABLE	\$122
A06B-1743-B100#3016	BISPMTR AB180M/6000I 15/18.5KW BZI	\$9,628	A06B-6044-K025	FUSE(M-8)	\$218
A06B-1743-B100#4AC6	SPMTR A180M/5500IB W/CZI	\$11,180	A06B-6044-K026	FUSE(M-12)	\$239
A06B-1743-B100#Z013	BISPMTR AB180M/6000I 11/11KW L/H WI	\$9,792	A06B-6044-K028	FUSE 30	\$268
A06B-1745-B100#Z013	BISPMTR AB180L/6000I 18.5/22KW	\$10,969	A06B-6044-K029	FUSE 40	\$313
A06B-1772-B140#0AC3	BIS SPMTR 250S/4000IB	\$13,004	A06B-6044-K030	UNIT COVER	\$84
A06B-1854-B141#0P4A	SPMTR B160L4/6000is, B	\$8,664	A06B-6044-K031	ADAPTOR	\$134
A06B-1856-B141#0P4A	SPMTR B160L6/6000is, B	\$10,797	A06B-6044-K033	FUSE (M-3.6)	\$166
A06B-6035-H527	VELOCITY REGULATOR, 60H DC SERVO	\$18,866	A06B-6044-K034	CONNECTOR CRIMP	\$83
A06B-6035-H543	CONNECTOR KIT, 50/60	\$163	A06B-6044-K040	FAN UNIT 30S, 40S SER SP	\$525
A06B-6035-J156	TRANSFORMER 30 KVA	\$15,064	A06B-6044-K040#CS	FAN FOR 30S/40S/40HV CSA	\$510
A06B-6035-J235	TRANSFORMER(55KVA)	\$21,538	A06B-6044-K200	CBL SPNDL VELOCITY FDBK 7M	\$141
A06B-6035-K113	CABLE(40)	\$518	A06B-6044-K201	CABLE	\$32
A06B-6035-K114	CABLE(50-60H)	\$952	A06B-6044-K202	CABLE 40HV POWER 7M	\$465
A06B-6037-K001	KIT	\$307	A06B-6044-K203	CABLE 7 METERS	\$691
A06B-6041-J031	DA CONVERT(BCD)	\$570	A06B-6044-K204	CABLE SPINDLE FAN	\$48
A06B-6041-J032	DA CONVERTER (12BIT)	\$646	A06B-6044-K206	CABLE K01 (MTR-SCU)	\$102
A06B-6041-J110	PWA ASSM, ONE POINT POSITION A	\$1,689	A06B-6044-K207	CABLE K00 (MTR-SCU)	\$58
A06B-6041-J111	PWA ASSM, RANDOM POSITIONING B	\$2,634	A06B-6047-C050	DISCHARGE UNIT	\$346
A06B-6041-J120	ORIENTATION C	\$1,689	A06B-6047-H001	V.C.U (00M)	\$3,251
A06B-6041-J121	PWA, ONE-POINT POSITIONING "D"	\$1,964	A06B-6047-H002	V.C.U (0M,5M)	\$3,251
A06B-6041-J122	PWA, ORIENTATION G W/MAG FLUX	\$1,783	A06B-6047-H003	V.C.U (10M,20M)	\$3,310
A06B-6041-J123	ORIENTATION H	\$1,913	A06B-6047-H004	V.C.U (30M)	\$3,949
A06B-6041-J130	SPINDLE POSITIONING CIRCUIT E	\$1,459	A06B-6047-H011	SV TRANS MA	\$930
A06B-6041-J131	SPINDLE POSITIONING CIRCUIT F	\$2,272	A06B-6047-H012	TRANSFORMER SERVO MB	\$1,260
A06B-6041-K201	CABLE, SPINDLE ENCODER	\$194	A06B-6047-H013	TRANSFORMER SERVO MC	\$1,672
A06B-6041-K202	CABLE K03/4 (ORNT-CNC/SSU-SCU)	\$135	A06B-6047-H014	SV TRANS MD	\$2,142
A06B-6041-K203	CABLE ORIENT SEN AMP 7M	\$181	A06B-6047-H021	TRANSFORMER SERVO MAE	\$1,260
A06B-6041-K204	CABLE	\$186	A06B-6047-H022	SV TRANS MBE	\$882

RENEWAL PARTS  
PRICING

D-45



# A06B-6047-H023

Part Number	Description	Price	Part Number	Description	Price
A06B-6047-H023	TRANSFORMER SERVO MCE	\$2,017	A06B-6050-K012	SV PWR CBL/BRK 1-OSP,2-OSP 14M	\$135
A06B-6047-H024	TRANSFORMER SERVO MDE 7.5 KVA	\$2,325	A06B-6050-K013	PWR CABLE MOTOR 3-OS 4-OS ABS	\$109
A06B-6047-H031	CONNECTOR	\$30	A06B-6050-K050	CABLE (K6)	\$491
A06B-6047-H040	V.C (10M/20M)	\$3,484	A06B-6050-K052	CABLE(CU-VCU)	\$132
A06B-6047-H041	V.C (30M)	\$3,949	A06B-6050-K053	CABLE(AC.M-VCU)	\$396
A06B-6047-H050	REGEN RESISTOR 24 OHM 400 WATT	\$124	A06B-6050-K054	CABLE(AC.M-VCU)	\$493
A06B-6047-H051	DISCH UNIT ASSY	\$18	A06B-6050-K055	CABLE	\$491
A06B-6047-H052	DISCH UNIT ASSY	\$155	A06B-6050-K056	CABLE	\$468
A06B-6047-H053	DISCH UNIT ASSY	\$148	A06B-6050-K060	BATTERY CASE, for Encoders	\$124
A06B-6047-H055	DISCH UNIT ASSY	\$148	A06B-6050-K061	BATTERY	\$12
A06B-6047-H056	DISCH UNIT ASSY	\$148	A06B-6050-K070	CBL ENC 1-OSP, 2-OSP 14M	\$405
A06B-6047-H057	DISCH UNIT ASSY	\$148	A06B-6050-K100	CONN KIT-SOLDER SINGLE ANALOG	\$47
A06B-6047-H104	V.C U(30M)	\$4,452	A06B-6050-K101	FUSE - ANALOG	\$5
A06B-6047-H110	REGEN DISCH UNIT (DC DRIVES)	\$225	A06B-6050-K103	CONN KIT-CRIMP SINGLE ANALOG	\$51
A06B-6047-H120	CHOKE FOR 30M.2K	\$1,138	A06B-6050-K104	CONNECTOR KIT	\$29
A06B-6047-H201	V.C (00M+00M)	\$4,763	A06B-6050-K105	SPARE PARTS FOR SERVO AMP	\$9
A06B-6047-H202	V.C (00M+0M)	\$4,763	A06B-6050-K110	CONN 25 PIN ENC HDBB25S	\$33
A06B-6047-H203	V.C (0M+0M)	\$4,763	A06B-6050-K111	CONN PWR 1-OSP, 2-OSP, 0-OSP	\$19
A06B-6047-H206	V.C (0M+5M)	\$5,305	A06B-6050-K112	RECTIFIER STACK FOR BRAKE	\$2
A06B-6047-H207	V.C (0M+10M)	\$5,538	A06B-6050-K113	SURGE ABSORBER FOR BRAKE	\$4
A06B-6047-H208	V.C (5M+5M)	\$5,305	A06B-6050-K115	CONN,ENVMTRENC 15PDSUBSTR CE95	\$44
A06B-6047-H209	V.C (5M+10M)	\$5,538	A06B-6050-K116	CONNECTOR 15 PIN ELBOW SEALED	\$44
A06B-6047-H210	V.C (10M+10M)	\$5,305	A06B-6050-K117	CABLE ENCDR 3-OSP 4-OSP SERIAL	\$44
A06B-6047-H221	TRANSFORMER SERVO ME	\$1,197	A06B-6050-K119	BETA 0.5 PWR PLUG	\$3
A06B-6047-H224	TRANSFORMER MH 6.5KVA	\$3,019	A06B-6050-K120	BETA 0.5 SIGNAL CONNECTOR	\$9
A06B-6047-H225	TRANSFORMER SERVO MJ	\$1,435	A06B-6050-K121	CONN, ENV MTR PWR 6P STR CE95	\$32
A06B-6047-H303	VCU DC 10 L	\$5,945	A06B-6050-K200	CONN KIT-SOLDER DUAL ANALOG	\$71
A06B-6047-H304	VELOCITY REGULATOR, 30M.2K	\$4,898	A06B-6050-K201	CONN KIT-CRIMP DUAL ANALOG	\$100
A06B-6047-J001	ADAPTOR 1	\$31	A06B-6050-K202	CONN KIT-SOLDER TRIPLE ANALOG	\$128
A06B-6047-J002	ADAPTOR 2	\$93	A06B-6050-K203	CONN KIT-CRIMP TRIPLE ANALOG	\$142
A06B-6047-J073	VCU MODIFICATION	\$29	A06B-6050-K801	PWR CBL 1-OSP, 2-OSP 14M	\$111
A06B-6047-K001	CABLE(0M,5M)	\$154	A06B-6050-K802	POWER CABLE WITH CONN. 14M	\$135
A06B-6047-K002	CABLE(0M,5M)	\$154	A06B-6050-K803	PWR CABLE W/ CONNECTOR 7M	\$84
A06B-6047-K003	CABLE(10,20,30M)	\$331	A06B-6050-K806	PWR CABLE SVMTR	\$76
A06B-6047-K004	CABLE(10,20,30M)	\$331	A06B-6050-K807	PWR CABLE MOTOR W/O BRK STR	\$139
A06B-6047-K005	CABLE(10-30M)	\$425	A06B-6050-K808	PWR CABLE MOTOR W/ BRK STR	\$197
A06B-6047-K006	CABLE(10-30M)	\$478	A06B-6050-K809	CBL SVMTR PWR RM12BRB-4P 14M	\$109
A06B-6047-K010	CABLE(00M)	\$88	A06B-6050-K810	CABLE PWR LINE 4 COND ST 14M	\$176
A06B-6047-K011	CABLE(DC.M-VCU)	\$263	A06B-6050-K811	CABLE PWR LINE 4 COND ELB 14M	\$223
A06B-6047-K012	CABLE (00M)	\$218	A06B-6050-K812	CABLE PWR LINE 4 COND ST 14M	\$251
A06B-6047-K013	CABLE (0M, 5M)	\$405	A06B-6050-K813	CABLE PWR LINE 4 COND ELB 14M	\$261
A06B-6047-K014	CABLE (0M, 5M)	\$405	A06B-6050-K814	USE CP5A-0MPB-0140-AA W/OUT	\$431
A06B-6047-K015	CABLE (10-30M)	\$623	A06B-6050-K822	CBL SVMTR PWR W/O BRK K119 14M	\$373
A06B-6047-K016	CABLE (10-30M)	\$623	A06B-6050-K823	CBL SVMTR PWR W/ BRK K119 14M	\$190
A06B-6047-K017	CABLE (10-30M)	\$623	A06B-6050-K824	CBL SVMTR PWR W/O BRK K121 14M	\$398
A06B-6047-K018	CABLE (10-30M)	\$623	A06B-6050-K825	CBL SVMTR PWR W/ BRK K121 14M	\$319
A06B-6047-K019	CONNECTOR 2-AXI	\$59	A06B-6050-K850	FDBK CBL INC A QUAD B OC 15A	\$458
A06B-6047-K022	INPUT CONNECTOR	\$27	A06B-6050-K851	CBL FDBK A/B ABS K110-MR20 10M	\$458
A06B-6050-C053	DISCHARGE UNIT (8X2)ohm 7L	\$530	A06B-6050-K852	CBL FDBK A/B ABS K115-MR20 14M	\$212
A06B-6050-C054	DISCHARGE UNIT 16ohm 1600w 10L	\$931	A06B-6050-K854	FDBK CBL SR INC/ABS OC 15A	\$212
A06B-6050-H001	SV AMMP 4-OS, 30S ANGL 185V	\$3,269	A06B-6050-K855	CABLE SERVO SIGNAL W/CONN 10M	\$212
A06B-6050-H002	SV AMP 2,0,1-0	\$3,833	A06B-6050-K856	CBL FDBK SERIAL K117-PCR 14M	\$249
A06B-6050-H005	SV AMP 30/2000 ANLG	\$7,218	A06B-6050-K857	CBL FDBK SERIAL K117-MR20 14M	\$201
A06B-6050-H006	SV AMP 40 ANLG	\$5,622	A06B-6050-K858	CABLE FEEDBACK	\$201
A06B-6050-H011	TRANSFORMER AA1.5KV	\$972	A06B-6050-K861	CABLE FEEDBACK STRAIGHT CONN	\$207
A06B-6050-H021	TRANSFORMER AAE 1.5 KVA	\$1,231	A06B-6050-K862	CABLE FEEDBACK ELBOW CONN	\$211
A06B-6050-H021-K1	CABLE	\$7	A06B-6050-K871	CABLE, FS15A TO IF BD	\$19
A06B-6050-H022	TRANSFORMER ASSM ABE 3.5 KVA	\$1,541	A06B-6052-H001	ACSP UNIT M-1	\$6,407
A06B-6050-H023	TRANSFORMER ASSM ACE 5.0 KVA	\$1,680	A06B-6052-H002	ACSP UNIT M-2	\$6,898
A06B-6050-H050	DISCHARGE UNIT	\$198	A06B-6052-H003	ACSP UNIT M-3	\$7,144
A06B-6050-H051	DISCHARGE UNIT	\$508	A06B-6052-H004	ACSP UNIT M3/800RPM	\$7,536
A06B-6050-H052	REGEN RESISTOR 10 OHM 400 WATT	\$171	A06B-6052-H302	SPINDLE AMP 2	\$6,824
A06B-6050-H053	REGEN RESISTOR 800 WATT	\$318	A06B-6052-J001	POWER TRANSFORMER	\$1,813
A06B-6050-H054	REGEN RESISTOR 800 WATT	\$657	A06B-6052-J050	COVER	\$77
A06B-6050-H102	SV AMP 0.5 ANLG	\$3,338	A06B-6052-J110	ORIENTATION AS	\$1,324
A06B-6050-H103	SV AMP 10 ANLG	\$3,688	A06B-6052-J111	ORIENTATION BS	\$2,163
A06B-6050-H104	SV AMP 20S, 30 ANLG	\$3,944	A06B-6052-J120	ORIENTATION CS	\$1,389
A06B-6050-H113	ANALOG VCU 20S/1500	\$3,785	A06B-6052-J122	ORIENTATION GS	\$1,698
A06B-6050-H201	DUAL 2,1-0+2,1-0	\$5,869	A06B-6052-J123	ORIENTATION H	\$1,913
A06B-6050-H202	AMP ANALOG 2,1-0+0,5	\$5,991	A06B-6052-K010	FUSE	\$30
A06B-6050-H203	VCU 0,5+0,5	\$5,808	A06B-6052-K050	RESISTOR UNIT(1KW)	\$138
A06B-6050-H204	SV AMP	\$5,721	A06B-6052-K051	RES UNIT 1 KILO WATT 30 OHMS	\$308
A06B-6050-H301	SV AMP 5-0 ANLG	\$2,999	A06B-6052-K200	CABLE	\$55
A06B-6050-H303	AC SERVO 10	\$3,711	A06B-6052-K201	CABLE FOR 200V	\$55
A06B-6050-H401	TRIPLE 0,5+0,5+0,5	\$7,413	A06B-6052-K202	CABLE	\$87
A06B-6050-H402	AMPLIFIER	\$7,659	A06B-6052-K203	CABLE FOR 100V	\$27
A06B-6050-H402#J129J134	SV AMP 0/5+0/5+10 MODIFIED	\$6,849	A06B-6054-H008	VELOCITY CONTROL UNIT HV8	\$11,558
A06B-6050-H403	VCU 0,5+10+10	\$7,879	A06B-6054-H040	VCU, AC SP 40HV	\$27,619
A06B-6050-H404	AMPLIFIER	\$8,100	A06B-6054-J003	TRANSFORMER 30HV, 40HV	\$2,296
A06B-6050-K003	CABLE, POWER, FOR MOTOR 2, 1-0	\$132	A06B-6054-K012	FUSE	\$408
A06B-6050-K005	PWR CABLE MOTOR 0,5,0L-6L STR	\$218	A06B-6054-K040	FUSE 30HV, 40HV	\$415
A06B-6050-K006	PWR CABLE MOTOR 0,5,0L-6L ELB	\$176	A06B-6055-H103#H500	DIGITAL ACSP M-3	\$8,321
A06B-6050-K007	PWR CABLE MOTOR 10,20,30 STR	\$263	A06B-6055-H103#H512	CONTROL UNIT 3H INT VENT	\$9,007
A06B-6050-K011	CBL PWR 1-OSP, 2-OSP 14M	\$124	A06B-6055-H106#H501	DGTLACSP M-6	\$7,556

RENEWAL PARTS  
PRICING

D-46



FANUC CNC Parts

Part Number	Description	Price	Part Number	Description	Price
A06B-6055-H106#H532	CONTROL UNIT 12P INT VENT	\$7,953	A06B-6057-H403	V.C.U(7L,10L)	\$5,761
A06B-6055-H106#H536	CONTROL UNIT 8P INT VENT	\$7,585	A06B-6057-H403#J002	VCU 10L	\$5,795
A06B-6055-H106#H502	AC SPINDLE AMP M-8	\$9,031	A06B-6057-H501#9022	SERVO ROM	\$85
A06B-6055-H106#H503	DGTL ACSP M-8	\$9,031	A06B-6057-H601	PWA ASM,CHECK BD,IC SOCKET TYP	\$735
A06B-6055-H106#H513	CONTROL UNIT 6H INT VENT	\$9,031	A06B-6057-H610	SERVO DIAGNOSTIC INTERFACE BD	\$2,055
A06B-6055-H106#H515	CONTROL UNIT 8H INT VENT	\$9,031	A06B-6057-H630	SERVO CHECK BOARD	\$1,332
A06B-6055-H106#H531	CONTROL UNIT 15P INT VENT	\$9,448	A06B-6057-J002	SERVO AMP MOD	\$11
A06B-6055-H106#H542	SP AMP 3VH INT VENT	\$9,031	A06B-6057-K100	CONN KIT-SOLDER SINGLE DIGITAL	\$23
A06B-6055-H112#H504	DGTL ACSP M-12	\$10,135	A06B-6057-K101	FUSE - DIGITAL DRIVE	\$5
A06B-6055-H112#H505	DGTL ACSP M-12	\$10,135	A06B-6057-K103	CONN KIT-CRIMP SINGLE DIGITAL	\$27
A06B-6055-H112#H529	CONTROL UNIT 18P INT VENT	\$10,135	A06B-6057-K105	CONN KIT-CRIMP SINGLE DIGITAL	\$26
A06B-6055-H112#H538	CONTROL UNIT 12H INT VENT	\$10,626	A06B-6057-K106	CONN KIT-LINE DRIVER CRIMP	\$27
A06B-6055-H115#H506	CONTROL UNIT 15H INT VENT	\$10,748	A06B-6057-K201	CONNECTOR (2 AXIS)	\$37
A06B-6055-H115#H507	DGTL ACSP M-15	\$10,748	A06B-6057-K203	CONNECTOR (3 AXIS)	\$49
A06B-6055-H115#H530	CONTROL UNIT 22P INT VENT	\$10,748	A06B-6057-K400	CABLES FOR SERVO CHECK BOARD	\$1,139
A06B-6055-H118#H508	DGTL ACSP M-18	\$11,729	A06B-6058-C004	SERVO AMP F/POWER MATE A	\$2,055
A06B-6055-H118#H509	CONTROL UNIT 18H INT VENT	\$11,729	A06B-6058-C005	SERVO AMP	\$2,851
A06B-6055-H122#H510	AC SPINDLE AMP M-22	\$14,010	A06B-6058-C191	DISCHARGE RESISTOR UNIT	\$2,217
A06B-6055-H122#H511	CONTROL UNIT 22H INT VENT	\$14,010	A06B-6058-H002	SV AMP S 4-OS,3-OS	\$2,234
A06B-6055-H203#H500	DGTL ACSP M-3	\$8,321	A06B-6058-H003	SV AMP S 2-OSP,1-OSP	\$2,540
A06B-6055-H203#H512	CONTROL UNIT 3H EXT VENT	\$9,007	A06B-6058-H004	SV AMP S 0-OSP,0S,5S	\$2,540
A06B-6055-H206#H501	DGTL ACSP M-6	\$8,321	A06B-6058-H005	SV AMP S 0-OSP - 20S/1500	\$3,000
A06B-6055-H206#H532	CONTROL UNIT 12P EXT VENT	\$8,321	A06B-6058-H006	SV AMP S 20S,30S	\$3,047
A06B-6055-H206#H536	CONTROL UNIT 8P EXT VENT	\$7,585	A06B-6058-H007	AC SERVO 20,30S/3	\$5,361
A06B-6055-H208#H502	DGTL ACSP M-8	\$9,448	A06B-6058-H023	SV AMP S 2-OSP,1-OSP/3000	\$2,851
A06B-6055-H208#H503	DGTL ACSP M-8	\$9,448	A06B-6058-H025	SV AMP S 5S/3K,6S/3K,10S/K	\$3,244
A06B-6055-H208#H513	CONTROL UNIT 6H EXT VENT	\$9,448	A06B-6058-H101	SV AMP S 50S OR ALPHA 65	\$15,449
A06B-6055-H208#H515	CONTROL UNIT 8H EXT VENT	\$9,448	A06B-6058-H102	SV AMP S 60,70S, ALPHA 100,150	\$16,143
A06B-6055-H208#H531	CONTROL UNIT 15P EXT VENT	\$9,448	A06B-6058-H191	REGEN RESISTOR 3.6 OHM 2K WATT	\$1,680
A06B-6055-H208#H534	VCU FOR 6VH	\$8,615	A06B-6058-H192	DISCHARGER	\$331
A06B-6055-H208#H542	SP AMP 3VH	\$9,031	A06B-6058-H201	SV AMP DUAL 2/1-0,2/1-0	\$4,932
A06B-6055-H212#H504	DGTL ACSP M-12	\$10,626	A06B-6058-H202	USE A06B-6058-H222 WHEN OUT	\$5,035
A06B-6055-H212#H505	DGTL ACSP M-12	\$10,626	A06B-6058-H203	USE A06B-6058-H223 WHEN OUT	\$5,139
A06B-6055-H212#H529	VELOCITY CONTROL UNIT	\$10,626	A06B-6058-H204	SV AMP DUAL 0/5,10	\$4,773
A06B-6055-H212#H538	CONTROL UNIT 12H EXT VENT	\$10,626	A06B-6058-H221	SV AMP S DUAL 2,1-OSP/3K &SAME	\$4,685
A06B-6055-H212#H543	VCU FOR 8VH	\$10,626	A06B-6058-H222	SV AMP S DUAL 2,1-OSP/3K&0S-5S	\$4,783
A06B-6055-H215#H506	CONTROL UNIT 15H EXT VENT	\$11,263	A06B-6058-H223	DUAL SERVO AMP 0,5-0,5	\$4,882
A06B-6055-H215#H507	DGTL ACSP M-15	\$11,263	A06B-6058-H224	SV AMP S DUAL 0S-5S & 0S-10S	\$4,534
A06B-6055-H215#H527	VCU FOR 12VH	\$11,263	A06B-6058-H225	SV AMP S DUAL 4,3-0S&2,1-0S/3K	\$4,932
A06B-6055-H215#H530	CONTROL UNIT 22P EXT VENT	\$11,263	A06B-6058-H227	SV AMP S DUAL 2,1-OSP/3&0S-10S	\$5,139
A06B-6055-H218#H508	DGTL ACSP M-18	\$11,729	A06B-6058-H228	DUAL SERVO AMP 4/3-0+2/1-0	\$4,896
A06B-6055-H218#H509	CONTROL UNIT 18H EXT VENT	\$11,729	A06B-6058-H229	SV AMP S DUAL 0S-10S & 0S-10S	\$4,966
A06B-6055-H222#H510	DGTL ACSP M-22	\$14,010	A06B-6058-H230	SV AMP S DUAL 5S/3000& 5S/3000	\$4,882
A06B-6055-H222#H511	CONTROL UNIT 22H EXT VENT	\$14,010	A06B-6058-H231	SV AMP S DUAL 0S-10S & 5S/3K	\$4,534
A06B-6055-H318#H541	CONTROL UNIT 30P INT VENT	\$11,189	A06B-6058-H251	SV AMP S DUAL 5S/3K-30S & SAME	\$5,039
A06B-6055-H322#H540	CONTROL UNIT 40P INT VENT	\$13,372	A06B-6058-H252	SV AMP S DUAL 0-20/15&5/3K-30S	\$5,304
A06B-6055-H322#H545	CONTROL UNIT 50P INT VENT	\$13,372	A06B-6058-H253	SV AMP S DUAL 0S-20S/1500&SAME	\$5,039
A06B-6055-H322#H551	AC SPINDLE	\$13,372	A06B-6058-H301	USE A06B-6058-H334 WHEN OUT	\$6,345
A06B-6055-H418#H541	CONTROL UNIT 30P EXT VENT	\$11,189	A06B-6058-H302	USE A06B-6058-H334 WHEN OUT	\$6,515
A06B-6055-H422#H540	CONTROL UNIT 40P EXT VENT	\$13,372	A06B-6058-H303	3-SERVO 0/5,10,10	\$6,683
A06B-6055-H422#H545	CONTROL UNIT 50P EXT VENT	\$13,372	A06B-6058-H304	SV AMP TRIPLE 10,10,10	\$6,853
A06B-6055-H422#H551	SP AMP 50P .575/4.5K	\$13,372	A06B-6058-H321	USE A06B-6058-H334 WHEN OUT	\$6,345
A06B-6055-H502#9602	Spindle Firmware Upgrade for 8/4500	\$243	A06B-6058-H331	SV AMP S TRI 2,1-OSP/3K X 3	\$6,178
A06B-6055-H503#9603	SPINDLE FIRMWARE UPGRADE 8/6000	\$182	A06B-6058-H332	SV AMP S TRI 1-OSP&1-OSP&0-10S	\$6,345
A06B-6055-H505#9605	SPINDLE EPROM	\$182	A06B-6058-H333	SV AMP S TRI 1-OSP&0-10S&0-10S	\$6,345
A06B-6055-K003	FUSE (M-3/M-6)	\$168	A06B-6058-H334	SV AMP S TRI 0-10S&0-10S&0-10S	\$6,178
A06B-6055-K006	FUSE 8P, 12P, 3H, 3VH	\$151	A06B-6058-J201	ANALOG VELOCITY UNIT	\$2,786
A06B-6055-K008	FUSE 15P, 6H, 8H, 6VH	\$189	A06B-6058-J202	TANDEM INTERFACE PCB	\$468
A06B-6055-K012	FUSE 18P, 12H, 8VH	\$209	A06B-6058-J203	ANALOG VCU MOD	\$46
A06B-6055-K015	FUSE 22P, 15H, 12VH	\$214	A06B-6058-K050	DISCHARGE UNIT	\$147
A06B-6055-K018	FUSE 30P, 18H	\$243	A06B-6058-K060	AC LINE FILTER 5.4KW	\$248
A06B-6055-K022	SP FUSE 50P (6055 SERIES)	\$291	A06B-6058-K061	AC LINE FILTER 10.5 KW	\$323
A06B-6057-H001	SERVO AMP, 5-0	\$2,870	A06B-6058-K101	FUSE KIT	\$5
A06B-6057-H002	SV AMP 4-OS, 3-OS DGTL 185V	\$2,949	A06B-6058-K102	FUSE SV AMP 1/2-OSP 1-OSP/3000	\$27
A06B-6057-H003	SV AMP 2-0, 1-0 DGTL	\$3,220	A06B-6058-K103	ADAPTER(2 AXES)	\$105
A06B-6057-H004	SV AMP 0,5 DGTL	\$3,220	A06B-6058-K104	ADAPTOR TRIPLE	\$122
A06B-6057-H005	SV AMP 10 DGTL	\$3,385	A06B-6058-K201	CONNECTOR KIT DUAL SOLDER	\$47
A06B-6057-H006	SV AMP 20S, 30 DGTL 185V	\$3,595	A06B-6058-K202	CONNECTOR KIT DUAL CRIMP	\$27
A06B-6057-H007	SV AMP 30/2000	\$6,286	A06B-6058-K203	CONN SIGNAL S AMP SOLDERTRIPLE	\$35
A06B-6057-H008	SV AMP 40	\$6,212	A06B-6058-K204	CONN SIGNAL S AMP CRIMP TRIPLE	\$40
A06B-6057-H015	DIGITAL SERVO AMP 20S/1500	\$3,563	A06B-6058-K205	CONNECTOR	\$10
A06B-6057-H022	SERVO PWR XFMR MBE 2.5 KVA	\$1,400	A06B-6058-K206	CONN SIGNAL S AMP CRIMP	\$11
A06B-6057-H024	SERVO PWR XFMR MDE 7.5 KVAC	\$2,251	A06B-6058-K301	FUSE,50S/60S/70S	\$66
A06B-6057-H201	DUAL 2,1-0+2,1-0	\$5,623	A06B-6058-K302	FUSE	\$22
A06B-6057-H202	DIGITAL SERVO AMP 2,1-0+0,5	\$5,721	A06B-6059-C601	FAN UNIT	\$644
A06B-6057-H203	DIGITAL SERVO AMP 0,5+0,5	\$5,820	A06B-6059-C602	FAN UNIT	\$1,379
A06B-6057-H204	DIGITAL SERVO AMP 4,3-0+2,1-0	\$5,623	A06B-6059-C604	FAN UNIT	\$1,418
A06B-6057-H205	DIGITAL SERVO AMP 4,3-0+0,5	\$5,623	A06B-6059-C608	SWITCHING UNIT	\$3,966
A06B-6057-H301	DIGITAL SERVO AMP. 0.5+0.5+0,5	\$7,095	A06B-6059-H002#H501	SP AMP 1S 8K	\$6,223
A06B-6057-H302	SV AMP	\$7,290	A06B-6059-H002#H502	SPINDLE CONTROL UNIT 2.02 & B2	\$6,326
A06B-6057-H303	DIGITAL SERVO AMP 0,5+10+10	\$7,512	A06B-6059-H002#H503	SPINDLE CONTROL UNIT 3.0S	\$6,143
A06B-6057-H304	DIGITAL SERVO AMP 10+10+10	\$7,732	A06B-6059-H002#H505	SP AMP 2S 15K	\$6,853
A06B-6057-H401	DIGITAL SERVO AMP 0L	\$3,391	A06B-6059-H002#H508	SPINDLE CONTROL UNIT 1.5S&B1.5	\$6,442
A06B-6057-H402	DIGITAL SERVO AMP 5L	\$3,455	A06B-6059-H002#H509	CTRL UNIT 1H EXT VENT15/15K&B1	\$6,223

RENEWAL PARTS  
PRICING

D-47





# A06B-6059-H002#H578

Part Number	Description	Price	Part Number	Description	Price
A06B-6059-H002#H578	SP AMP B2	\$6,369	A06B-6059-J143	SPINDLE ORIENTATION/ MAG SENSO	\$1,517
A06B-6059-H003#H503	SPINDLE SERVO UNIT 3S	\$6,150	A06B-6059-J700	SPEED GAIN SWITCHING CIRCUIT	\$155
A06B-6059-H003#H507	CONTROL UNIT 2VH EXT VENT	\$5,159	A06B-6059-J701	SPINDLE SELECTOR CIRCUIT	\$1,449
A06B-6059-H106#H542	SP AMP 3VH INT VENT	\$7,307	A06B-6059-J702	SPINDLE SELECTOR CIRCUIT	\$2,028
A06B-6059-H108#H534	CONTROL UNIT 6VH INT VENT	\$8,346	A06B-6059-J703	SWITCHING CIRCUIT /B17,B26	\$465
A06B-6059-H112#H543	SP AMP 8VH INT VENT	\$9,394	A06B-6059-J914	SP AMP MODIFICATION	\$15
A06B-6059-H115#H527	CONTROL UNIT 12VH INT VENT	\$10,021	A06B-6059-J924	SP AMP MOD	\$64
A06B-6059-H203#H523	SPINDLE SERVO UNIT 6S/A3	\$6,853	A06B-6059-J926	SP AMP MOD	\$64
A06B-6059-H206#H511	SP AMP 6S	\$8,142	A06B-6059-J927	SP AMP MOD	\$64
A06B-6059-H206#H533	SP AMP 3S	\$8,571	A06B-6059-K003	FUSE (1S-3S)	\$24
A06B-6059-H206#H542	SP AMP	\$7,307	A06B-6059-K011	CONNECTOR KIT (SOLDER TYPE)	\$35
A06B-6059-H206#H550	SP AMP 8P	\$8,571	A06B-6059-K012	FUSE KIT 6S, 22S	\$51
A06B-6059-H206#H551	SP AMP 12P	\$8,571	A06B-6059-K022	FUSE KIT 15S-22S	\$32
A06B-6059-H206#H561	SP AMP 3S	\$8,571	A06B-6059-K031	DP ADAPTER 6S,12S	\$539
A06B-6059-H206#H575	SP AMP 8P	\$7,869	A06B-6059-K032	SP ADAPTER 15S,22S	\$434
A06B-6059-H208#H512	SPINDLE SERVO UNIT 8S 4500	\$9,636	A06B-6059-K032#CS	FAN UNIT FOR 15S-22S CSA	\$491
A06B-6059-H208#H513	SP AMP 8S 6K	\$9,636	A06B-6059-K033	UNIT ADAPTER 12S - 2 FANS	\$714
A06B-6059-H208#H524	SPINDLE SERVO UNIT 12S/A8	\$9,636	A06B-6059-K034	SP SWITCHING UNIT	\$2,635
A06B-6059-H208#H525	SP AMP 12S/A8 6K	\$9,636	A06B-6059-K035	SP SWITCHING UNIT	\$1,849
A06B-6059-H208#H534	SP AMP 6S 12K	\$9,636	A06B-6059-K036	SWITCHING UNIT	\$2,609
A06B-6059-H208#H543	SPDL AMP 6VHY EXT VENT	\$8,351	A06B-6059-K037	SWITCHING UNIT	\$1,902
A06B-6059-H208#H552	SP AMP 15P .75/6K	\$9,636	A06B-6059-K038	SPDL MOTOR FAN UNIT	\$738
A06B-6059-H208#H565	SP AMP 15P .5/6K	\$9,636	A06B-6059-K039	SPEED SWITCHING CIRCUIT	\$2,414
A06B-6059-H208#H576	SP AMP 8P B6/15 1.5/10K	\$9,636	A06B-6059-K051	CONNECTOR SOLDER	\$36
A06B-6059-H208#H583	SP AMP 6S/8K	\$9,636	A06B-6059-K101	CONNECTOR SOLDER	\$32
A06B-6059-H208#H753	SP AMP 15P/1S	\$10,240	A06B-6059-K102	CONNECTOR (CRIMP TYPE)	\$41
A06B-6059-H212#H514	SP AMP 12S	\$10,187	A06B-6059-K103	CONNECTOR SOLDER	\$45
A06B-6059-H212#H515	SP AMP 12S	\$10,187	A06B-6059-K104	CONNECTOR CRIMP	\$54
A06B-6059-H212#H535	SP AMP 8S	\$9,636	A06B-6059-K106	CONNECTOR AMP CRIMP	\$28
A06B-6059-H212#H536	SP AMP 12S	\$10,240	A06B-6059-K203	AC LINE FILTER	\$231
A06B-6059-H212#H543	SP AMP	\$9,394	A06B-6059-K400	K02 CABLE	\$69
A06B-6059-H212#H544	SP AMP	\$9,804	A06B-6059-K401	CABLE	\$66
A06B-6059-H212#H553	SP AMP 18P	\$9,804	A06B-6059-K403	CABLE	\$95
A06B-6059-H212#H563	SP AMP 18P	\$10,723	A06B-6059-K800	CABLE SIG SW CKT TO AMP	\$62
A06B-6059-H212#H568	SP AMP	\$9,804	A06B-6059-K801	CABLE SP PRE-AMP CN15 7M	\$62
A06B-6059-H212#H570	SP AMP 18P	\$10,240	A06B-6059-K802	CABLE SPEED SP PRE-AMP CN16 7M	\$90
A06B-6059-H212#H590	SP AMP 12S	\$9,804	A06B-6059-K803	CABLE - SPINDLE SENSOR	\$89
A06B-6059-H212#H591	SP AMP 12S	\$9,804	A06B-6059-K804	CABLE 5M SIG CONV CKT	\$52
A06B-6059-H212#H601	SP AMP	\$10,723	A06B-6059-K805	CABLE 1M SIGNL CONV CKT	\$54
A06B-6059-H212#H757	SP AMP	\$10,240	A06B-6059-K806	CABLE 7M SIGNL CONV CKT	\$88
A06B-6059-H214#H514	SPINDLE AMP M12 SPECIAL	\$7,674	A06B-6060-H002#H502	SP AMP 2-I	\$2,974
A06B-6059-H215#H515	SP AMP 12S	\$10,385	A06B-6060-H003#H503	SP SERVO UNIT 3I	\$3,097
A06B-6059-H215#H516	SP AMP 15S	\$11,329	A06B-6060-H007#H504	AC SPINDLE UNIT 6I	\$3,490
A06B-6059-H215#H517	SP AMP 15S	\$10,762	A06B-6060-H008#H500	SP SERVO UNIT 8I	\$5,132
A06B-6059-H215#H527	SP AMP	\$10,021	A06B-6060-H012#H506	SP AMP 12I	\$5,132
A06B-6059-H215#H537	SP AMP 15S	\$10,385	A06B-6060-H106#H511	SP AMP 6I W/ORIENT	\$4,716
A06B-6059-H215#H545	SP AMP	\$10,385	A06B-6060-H108#H518	SP AMP 8I W/ORIENT	\$6,472
A06B-6059-H215#H554	SP AMP 22P	\$11,329	A06B-6060-K003	FUSE MODEL 3I/6I	\$12
A06B-6059-H215#H582	SP AMP 22P	\$10,385	A06B-6060-K008	FUSE MODEL 8I	\$41
A06B-6059-H218#H518	SP AMP 18S 4.5K	\$11,176	A06B-6060-K101	CONNECTOR	\$22
A06B-6059-H218#H519	SP AMP 18S 6K	\$11,764	A06B-6060-K102	CONNECTOR	\$28
A06B-6059-H218#H555	SP AMP 20P	\$10,772	A06B-6061-H016	CONVERTER A QUAD B TO SERIAL	\$210
A06B-6059-H218#H600	SP AMP	\$11,764	A06B-6061-H520	EPROM	\$80
A06B-6059-H218#H605	SP AMP 50P 60P	\$12,708	A06B-6061-H521	EPROM	\$48
A06B-6059-H222#H520	SP AMP 22S	\$13,222	A06B-6061-H523	EPROM	\$48
A06B-6059-H222#H521	SP AMP 22S	\$13,288	A06B-6061-J002	SIGNAL PROCESS CIRCUIT 2-CIR	\$783
A06B-6059-H222#H556	SP AMP 40P	\$13,288	A06B-6061-J004	SIGNAL PROCESS CIRCUIT 4-CIR	\$1,602
A06B-6059-H222#H577	SP AMP 40P	\$13,917	A06B-6061-J006	HHR SIGNAL PROCESSOR (X30)	\$1,015
A06B-6059-H222#H579	SP AMP 40P	\$13,222	A06B-6061-J501	EPROM	\$48
A06B-6059-H222#H605	SP AMP 60P	\$12,708	A06B-6061-K801	CABLE K4 7M	\$463
A06B-6059-H222#H606	SP AMP 60P .375/4.5K	\$13,917	A06B-6062-H206#H500	SERIAL INTERFACE SPINDLE	\$7,634
A06B-6059-H226#H604	SP AMP 26S	\$14,546	A06B-6062-H222#H500	SP AMP 40P SERIAL	\$13,152
A06B-6059-H226#H607	SP AMP	\$12,527	A06B-6062-J700	POSITION ENCODER DETECTOR	\$1,015
A06B-6059-H226#H608	SP AMP	\$12,708	A06B-6062-J710	CS CONTROL DETECTOR CIRCUIT	\$967
A06B-6059-H518	ROM (18S,4500RPM)	\$227	A06B-6062-J711	CS CONTROL DETECTOR CIRCUIT	\$967
A06B-6059-H594#9894	SPINDLE EPROM	\$243	A06B-6062-J714	CS CONTROL DETECTOR	\$967
A06B-6059-H800	CABLE 1M SIGNL CONV CKT	\$80	A06B-6062-K012	FUSE	\$49
A06B-6059-H801	CABLE 1M SIGNL CONV CKT	\$80	A06B-6062-K022	SP FUSE 22P-50P	\$49
A06B-6059-J001	TRANSFORMER	\$2,069	A06B-6062-K103	CONNECTOR, SOLDER SER SP AMP	\$10
A06B-6059-J110	ORIENTATION AR II	\$1,373	A06B-6062-K104	CONNECTOR KIT CRIMP HONDA	\$20
A06B-6059-J111	ORIENTATION BR II	\$2,131	A06B-6062-K108	CONNECTOR	\$263
A06B-6059-J112	ORIENTATION AR II	\$1,242	A06B-6062-K201	CABLE, VELOCITY FEEDBACK	\$232
A06B-6059-J113	ORIENTATION BR II	\$1,931	A06B-6062-K202	CABLE, VELOCITY FEED BACK	\$232
A06B-6059-J120	ORIENTATION CR	\$1,373	A06B-6062-K801	CABLE, POSITION FEED BACK	\$232
A06B-6059-J121	ORIENTATION GR	\$1,675	A06B-6062-K802	CABLE, VELOCITY FEED BACK	\$232
A06B-6059-J130	ORIENTATION AS II	\$1,373	A06B-6063-H206#H500	SPINDLE AMP	\$7,242
A06B-6059-J131	ORIENTATION BS II	\$2,131	A06B-6063-H206#H510	SP AMP 6S,8P,12P	\$7,242
A06B-6059-J132	SP ORIENT AHS POS CODER STEP	\$1,373	A06B-6063-H206#H511	SPINDLE AMP	\$7,242
A06B-6059-J133	ORIENTATION BHS	\$2,028	A06B-6063-H208#H510	SP AMP SER 8S, 15P	\$8,222
A06B-6059-J134	SP ORIENT CKT ES 4 STAGE 8K IN	\$1,931	A06B-6063-H208#H511	SP AMP 8S/15P SERIAL	\$8,222
A06B-6059-J135	SP ORIENT CKT ES 4 STAGE 8K EX	\$1,931	A06B-6063-H212#H510	SP AMP SER 12, 18P	\$9,203
A06B-6059-J140	ORIENTATION CS2 SOFTWARE	\$1,373	A06B-6063-H215#H510	SP AMP SER 15S, 22P	\$9,792
A06B-6059-J141	ORIENTATION GS II	\$1,675	A06B-6063-H218#H510	SP AMP 15S, 22P	\$10,185
A06B-6059-J142	SPINDLE ORIENT BOARD	\$1,593	A06B-6063-H222#H510	SP AMP 22S,ROP	\$12,146

RENEWAL PARTS  
PRICING

D-48



FANUC CNC Parts

Part Number	Description	Price	Part Number	Description	Price
A06B-6063-H226#H510	SP AMP 50P	\$12,146	A06B-6065-H040#H550	SP AMP 40HV	\$23,917
A06B-6063-H703	SPINDLE SIGNAL CONV CIRCUIT	\$522	A06B-6065-H060#H550	SPINDLE AMP 60HV	\$27,840
A06B-6063-H730	SP CONV CKT UNIVERSAL S/P DGTL	\$420	A06B-6065-H060#H550#CS	AC SPINDLE AMP 60HV CSA	\$29,954
A06B-6063-H731	SIGNAL CONVERSION CIRCUIT	\$420	A06B-6065-H240#H550	SP AMP 40HV CSA	\$23,917
A06B-6063-J700	SP ORIENT MAG SENSOR SER SP	\$184	A06B-6065-H240#H550#CS	SPINDLE AMP 40HV CSA	\$23,970
A06B-6063-J701	SP SELECT W/O ORIENT SER SP	\$1,208	A06B-6065-K040	FUSES 30HV / 40HV	\$405
A06B-6063-J702	SP SELECT W/ORIENT SER SP	\$1,692	A06B-6065-K060	FUSES 60HV	\$373
A06B-6063-J710	SP. DETECTOR CKT MGENC	\$967	A06B-6065-K301	FAN UNIT	\$463
A06B-6063-J711	DETECTOR CIRCUIT 130MM	\$967	A06B-6065-K301#CS	FAN UNIT 60HV CSA	\$586
A06B-6063-J712	SP DETECTION CKT 195MM	\$967	A06B-6066-C900	FAN	\$510
A06B-6063-J713	SP DETECTION CKT 97.5MM	\$967	A06B-6066-H003#CS	SV AMP C 2-0S,1-0S,1-0S/3K CSA	\$2,408
A06B-6063-J714	DETECTION CKT. W/1:1 GEAR	\$967	A06B-6066-H004#CS	SV AMP C 0-0SP - 20S/1500 CSA	\$2,408
A06B-6063-J715	SP DETECTION CKT 130MM B-I MTR	\$967	A06B-6066-H006#CS	SV AMP C 5L - 30S CSA	\$2,876
A06B-6063-J716	SP DETECTION CKT 195MM B-I MTR	\$967	A06B-6066-H008	SV AMP C 7&10L,20/3K,30/3K,40S	\$5,280
A06B-6063-J717	SP DETECTION CKT 97.5MM B-I MTR	\$967	A06B-6066-H008#CS	SV AMP C 7L - 40S CSA	\$5,333
A06B-6063-K105	SP CONN CS1 PREAMP SOLDER	\$87	A06B-6066-H011	AC SERVO 20S	\$3,122
A06B-6063-K106	SP CONN CS1 PREAMP CRIMP	\$92	A06B-6066-H012	AC SERVO 20S	\$3,269
A06B-6063-K107	SP CONN CS2 PREAMP SOLDER	\$177	A06B-6066-H211	SV AMP C DUAL 5-0S	\$3,882
A06B-6063-K108	CONN., CRIMP, SER INT.	\$186	A06B-6066-H211#CS	SV AMP C DUAL 5-0S	\$3,935
A06B-6063-K801	CABLE	\$168	A06B-6066-H222#CS	SP AMP C DUAL 4-0S - 3-0S CSA	\$3,935
A06B-6063-K802	PRE-AMP-CN16-7M	\$168	A06B-6066-H222#J019#CS	SERVO AMP C SERIES CSA	\$4,691
A06B-6064-C601	FAN ASSEMBLY	\$254	A06B-6066-H233#CS	SV AMP C SERIES CSA	\$3,935
A06B-6064-C602	FAN ASSEMBLY	\$268	A06B-6066-H234#CS	SV AMP C SERIES CSA	\$4,083
A06B-6064-H006#H520	SP AMP	\$7,242	A06B-6066-H235	SVAMP C DUAL2-0S - 1-0S/3.5S/3	\$3,956
A06B-6064-H030#H520	SERVO AMP 30S SERIAL	\$18,032	A06B-6066-H500#CS	REGEN RESISTOR 200W CSA	\$277
A06B-6064-H030#H550	SV AMP 30S SERIAL	\$18,790	A06B-6066-H711#CS	DISCHARGE RESISTOR CSA	\$544
A06B-6064-H040#H520	SP AMP 40S	\$22,740	A06B-6066-H712	REGEN RESISTOR 8 OHM 1200 WATT	\$714
A06B-6064-H040#H521	SP AMP	\$22,740	A06B-6066-H712#CS	DISCHARGE RESISTOR CSA	\$714
A06B-6064-H106#H520	SP AMP 6S SERIAL	\$7,242	A06B-6066-H713	REGEN RESISTOR 16 OHM 800 WATT	\$486
A06B-6064-H106#H530	SP AMP	\$7,242	A06B-6066-H714	DISCHARGE RES 16OHM/1200 WATT	\$714
A06B-6064-H201#H520	USE A06B-6064-H301#H550 W/OUT	\$5,084	A06B-6066-H715	3 AXIS DISCHARGE UNIT C SERIES	\$714
A06B-6064-H202#H510	SP AMP 2S DUAL RANGE	\$5,476	A06B-6066-K205	CONNECTOR KIT	\$14
A06B-6064-H202#H520	SP AMP 1.5S,2S	\$5,476	A06B-6066-K206	CONN SIGNAL SV C CRIMP	\$19
A06B-6064-H202#H521	SP AMP 2S	\$5,476	A06B-6066-K207	SPARE FUSE	\$9
A06B-6064-H203#H520	SP AMP 3S	\$5,672	A06B-6066-K208	FUSE FOR FAN MOTOR	\$25
A06B-6064-H230#H550	SP AMP 30S W/ ANALOG OV/RIDE	\$18,032	A06B-6066-K209	FAN MOTOR FOR SERVO AMP	\$93
A06B-6064-H240#H550	AC SP AMP 40S W/ANALOG OV/RIDE	\$22,740	A06B-6066-K210	FAN MOTOR FOR DISCHARGE RES	\$89
A06B-6064-H301#H550	SP AMP 1S SERIAL	\$5,084	A06B-6069-H120	SERVO AMP 120	\$29,802
A06B-6064-H302#H550	SP AMP 2S	\$5,476	A06B-6069-H300	DYNAMIC BRAKE UNIT 120	\$1,511
A06B-6064-H303#H550	SP AMP 3S	\$5,672	A06B-6070-C500	RESISTOR DISCHARGE UNIT	\$373
A06B-6064-H305#H550	SP AMP 6S COMPACT	\$7,242	A06B-6070-H003	SERVO AMP E SERIES 1-0E 1 AX	\$1,578
A06B-6064-H306#H520	SP AMP 6S/8P/12P	\$7,242	A06B-6070-H004	SERVO AMP E SERIES 20A 6E 1	\$1,595
A06B-6064-H306#H550	SP AMP 6S/8P/12P	\$7,242	A06B-6070-H005	SERVO AMP E SERIES 12A 1E/2	\$1,578
A06B-6064-H308#H520	SP AMP 8S/15P	\$8,222	A06B-6070-H500	REGEN DISCHARGE UNIT	\$122
A06B-6064-H308#H550	SP AMP 8S/15P	\$8,222	A06B-6070-H550	ADD'L REGEN DISCHARGE UNIT	\$78
A06B-6064-H308#H550#CS	SP AMP 8S/15P CSA	\$8,276	A06B-6070-H600	DYNAMIC BRAKE UNIT	\$97
A06B-6064-H312#H520	USE A06B-6064-H312#H550 W/OUT	\$9,203	A06B-6070-J201	BATTERY FOR ABS PULSE CODER	\$30
A06B-6064-H312#H550	SPINDLE AMP 12S/18P	\$9,203	A06B-6070-K001	DUMMY CONNECTOR A (DBU)	\$7
A06B-6064-H313#H520	SP AMP 15S COMPACT	\$9,792	A06B-6070-K002	DUMMY CONNECTOR B (RBU)	\$7
A06B-6064-H313#H550	SP AMP 15S COMPACT	\$9,792	A06B-6071-C201	CONVERTER	\$3,146
A06B-6064-H315#H520	USE A06B-6064-H315#H550 W/OUT	\$9,792	A06B-6071-H112	COMMON CONVERTER	\$3,711
A06B-6064-H315#H550	SP AMP 15S/22P	\$9,792	A06B-6071-H122	COMMON CONVERTER 22KW	\$4,103
A06B-6064-H318#H520	SP AMP 18S	\$10,185	A06B-6071-H201	SERVO CONVERTER 2/3 AXES	\$1,492
A06B-6064-H318#H550	SPINDLE AMP	\$10,185	A06B-6071-K001	INVERTER/CONVERTER CABLE KIT	\$152
A06B-6064-H322#H520	SP AMP 22S/40P	\$12,146	A06B-6071-K002	CABLES FOR S-20 COMM CONVTR	\$152
A06B-6064-H322#H550	SP AMP 22S/40P CSA	\$12,527	A06B-6071-K200	CONVERTER CONNECTOR KIT	\$8
A06B-6064-H322#H550#CS	SP AMP 22S/40P CSA	\$12,199	A06B-6071-K201	INVERTER/CONVERTER CONN KIT	\$38
A06B-6064-H326#H520	USE A06B-6064-H326#H550 W/OUT	\$12,146	A06B-6071-K203	CONNECTORS	\$11
A06B-6064-H326#H550	SPINDLE AMP 26S/50P	\$12,146	A06B-6071-K250	FUSE FOR CONVERTER PWR	\$8
A06B-6064-H327#H550	SP AMP 30S SERIAL	\$18,032	A06B-6071-K251	FUSE, INVERTER 26KW	\$15
A06B-6064-H731	SIGNAL CONVERSION CIRCUIT	\$522	A06B-6071-K252	INVERTER FUSE	\$15
A06B-6064-J701	SPINDLE SELECTOR CONTROL CKT	\$1,208	A06B-6071-K290	CHECK BOARD FOR SVM	\$101
A06B-6064-J702	SPDL SEL CONTROL CKT. 5S-22S	\$1,692	A06B-6072-C227	SPINDLE AMP UNIT	\$3,490
A06B-6064-J703	POSITION CODER SIGNAL INPUT CK	\$420	A06B-6072-H051	SPINDLE CHECK PCB	\$315
A06B-6064-J704	SIGNAL CONVERSION CIRCUIT	\$525	A06B-6072-H206#0001	SPINDLE INVERTER 6D	\$3,711
A06B-6064-J705	DETECTION CIRCUIT	\$967	A06B-6072-H212#0002	SPINDLE INVERTER 12D	\$5,672
A06B-6064-J706	SIGNAL CONVERSION CIRCUIT	\$525	A06B-6072-H322#0003	SPINDLE INVERTER	\$8,027
A06B-6064-J707	EXT REF SW SIGNAL CONV CIRCUIT	\$525	A06B-6072-H501#9D01	SPINDLE EPROM ALPHA (SPECIAL)	\$520
A06B-6064-J711	DETECTOR CIRCUIT	\$967	A06B-6072-H501#9D08	SPINDLE EPROM ALPHA (3RD PARTY MOTOR)	\$520
A06B-6064-J714	SP DETECTION CKT	\$967	A06B-6072-K250	FUSE, CONVERTER 15D-22D	\$49
A06B-6064-J720	SPDL DET HIRES MAG 2S-40S 65	\$967	A06B-6072-K252	CONVERTER FUSE	\$49
A06B-6064-J721	SPDL DET HIRES MAG 2S-40S 130	\$967	A06B-6073-H104	INVERTER	\$2,828
A06B-6064-J722	SPDL DET HIRES MAG 2S-40S 195	\$967	A06B-6073-H106	INVERTER	\$3,416
A06B-6064-J723	SPDL DET HIRES MAG 2S-40S 97.5	\$967	A06B-6073-H144	INVERTER	\$5,280
A06B-6064-J724	SP DETECTION CKT 65MM B-I SP	\$967	A06B-6073-H146	SERVO INVERTER D SERIES	\$5,476
A06B-6064-J725	SP DETECTION CKT 130MM B-I SP	\$967	A06B-6073-K001	BATTERY	\$60
A06B-6064-J726	SP DETECTION CKT 195MM B-I SP	\$967	A06B-6073-K210	CONNECTOR KIT (SLDR) (SVM-SVM)	\$26
A06B-6064-J727	SP DETECTION CKT 97.5MM B-I SP	\$967	A06B-6073-K211	CONNECTOR KIT (CRIMP) (SVM-SVM)	\$24
A06B-6064-K006	FUSE	\$74	A06B-6073-K212	CONNECTOR PCR-E20FA SOLDER	\$10
A06B-6064-K026	FUSES (6S-26S)	\$25	A06B-6073-K213	CONNECTOR PCR-E20FA CRIMP	\$10
A06B-6064-K305	FUSES	\$29	A06B-6073-K214	CONNECTOR F140 SOLDER MTR FDBK	\$11
A06B-6064-K800	CABLE	\$243	A06B-6073-K216	CONNECTOR KIT, CX8, CX9	\$5
A06B-6064-K801	CABLE, FEEDBACK 7M	\$186	A06B-6073-K250	FUSES FU3(3 2A)	\$3
A06B-6065-C601	FAN UNIT	\$723	A06B-6073-K252	FUSE FOR SVM1-240, SVM1-360	\$7



# A06B-6074-H201

Part Number	Description	Price	Part Number	Description	Price
A06B-6074-H201	SERVO INVERTER 2 AXES	\$3,196	A06B-6078-K811	CABLE PULSE GEN/BLT IN SENSOR	\$90
A06B-6074-H301	SERVO INVERTER 3 AXES	\$3,319	A06B-6078-K813	CABLE MAG SENSOR	\$123
A06B-6074-K250	FUSE INVERTER DC LINK	\$35	A06B-6078-K814	CABLE POSITION CODER ST	\$177
A06B-6074-K251	FUSE INVERTER PWR	\$2	A06B-6078-K815	CABLE POSITION CODER ELB	\$208
A06B-6077-H001	POWER FAILURE BACK-UP MODULE	\$2,417	A06B-6078-K816	CABLE HI RES MAG PULSE CODER	\$185
A06B-6077-H002	POWER FAILURE BACKUP MODULE	\$2,653	A06B-6078-K817	CABLE HI RES MAG PULSE CDR ST	\$186
A06B-6077-H010	SUB MODULE C (CAP)	\$1,986	A06B-6078-K818	CABLE HI RES MAG PULSE CDR ELB	\$219
A06B-6077-H106	POWER SUPPLY PSM-5 5	\$3,416	A06B-6078-K823	BUS BAR ALPHA SP 142-150MM	\$101
A06B-6077-H106#CS	POWER SUPPLY PSM-5 5 CSA	\$3,469	A06B-6078-K824	CABLE ALPHA SPM K4,K5,K8 300mm	\$71
A06B-6077-H111	POWER SUPPLY PSM-11	\$3,431	A06B-6078-K826	BUS BAR, ALPHA 184.5MM	\$113
A06B-6077-H111#CS	POWER SUPPLY PSM-11 CSA	\$3,666	A06B-6078-K827	BUS BAR, ALPHA 141.5-145.5MM	\$105
A06B-6077-H115#CS	POWER SUPPLY PSM-15 CSA	\$4,255	A06B-6078-K828	BUS BAR, ALPHA 307.5MM	\$163
A06B-6077-H126#CS	POWER SUPPLY PSM-26 CSA	\$4,893	A06B-6078-K829	BUS BAR, ALPHA 264.5-268.5MM	\$144
A06B-6077-H130#CS	POWER SUPPLY PSM-30 CSA	\$5,530	A06B-6078-K830	SHORT BAR	\$130
A06B-6077-K101	BREAKER PSMR-3	\$346	A06B-6078-K840	BUS BAR , ALPHA	\$9
A06B-6077-K102	BREAKER PSM-5.5	\$346	A06B-6078-K841	SHORT BAR	\$147
A06B-6077-K103	BREAKER PSM-11	\$346	A06B-6078-K842	SHORT BAR	\$70
A06B-6077-K104	BREAKER PSM-15	\$346	A06B-6079-C401	DYNAMIC BRAKE MODULE	\$972
A06B-6077-K105	BREAKER PSM 26 & 30	\$554	A06B-6079-H101	ALPHA SERVO AMP 1-12	\$2,296
A06B-6077-K106	BREAKER CONTROL POWER SUPPLY	\$96	A06B-6079-H101#CS	SVM1-12 CSA	\$2,362
A06B-6077-K110	BREAKER	\$554	A06B-6079-H102	ALPHA SERVO AMP 1-20	\$2,296
A06B-6077-K121	MAGNETIC CONTACTOR PSMR-3	\$120	A06B-6079-H102#CS	SVM1-20 CSA	\$2,362
A06B-6077-K122	MAG CONTACTOR PSM-5.5/PSMR-5.5	\$124	A06B-6079-H103	ALPHA SERVO AMP 1-40S	\$2,659
A06B-6077-K123	MAGNETIC CONTACTOR PSM-11	\$172	A06B-6079-H103#CS	SVM1-40S CSA	\$2,725
A06B-6077-K124	MAGNETIC CONTACTOR PSM-15	\$196	A06B-6079-H104	ALPHA SERVO AMP 1-40L	\$2,780
A06B-6077-K125	MAGNETIC CONTACTOR PSM-26	\$323	A06B-6079-H104#CS	SVM1-40L CSA	\$2,845
A06B-6077-K126	MAGNETIC CONTACTOR PSM-30	\$326	A06B-6079-H105	ALPHA SERVO AMP 1-80	\$2,783
A06B-6077-K141	LIGHTNING SURGE ABSORBER	\$133	A06B-6079-H105#CS	ALPHA SERVO AMP 80A CSA	\$2,966
A06B-6077-K142	LIGHTNING SURGE ABSORBER	\$153	A06B-6079-H106	ALPHA SERVO AMP 1-130	\$3,416
A06B-6077-K143	460VAC SURGE ABSORBER	\$176	A06B-6079-H106#CS	ALPHA SERVO AMP 130A CSA	\$3,443
A06B-6077-K210	CONNECTORS-CRIMP TYPE	\$23	A06B-6079-H107	SVM1-240	\$6,286
A06B-6077-K211	CONNECTORS-SOLDER TYPE	\$28	A06B-6079-H108	ALPHA MOD SV AMP SVM1-360	\$6,384
A06B-6077-K250	FUSE ALPHA PSM 5 5-45,75HV	\$5	A06B-6079-H201	ALPHA SERVO AMP 2-12/12	\$2,901
A06B-6077-K252	FUSE 0.5A, 7.5A FOR PSM-	\$12	A06B-6079-H201#CS	SVM2-12/12 CSA	\$2,966
A06B-6078-C001	FAN ASSY	\$119	A06B-6079-H202	ALPHA SERVO AMP 2-12/20	\$2,901
A06B-6078-C002	FAN ASM	\$137	A06B-6079-H202#CS	SVM2-12/20 CSA	\$2,966
A06B-6078-C003	FAN ASM	\$484	A06B-6079-H203	ALPHA SERVO AMP 2-20/20	\$2,901
A06B-6078-H001	CHECK BD SPM 2.2 - SPM 11	\$489	A06B-6079-H203#CS	SVM2-20/20 CSA	\$2,966
A06B-6078-H002	OVERHEAT DETECTION	\$108	A06B-6079-H204	ALPHA SERVO AMP 2-12/40	\$3,246
A06B-6078-H211#H500#	SP AMP SPM-11 TYPE I (CE)	\$4,290	A06B-6079-H204#CS	SVM2-12/40 CSA	\$3,469
A06B-6078-H226#H500	SPINDLE AMP SPM-26 TYPE I	\$6,064	A06B-6079-H205	ALPHA SERVO AMP 2-20/40	\$3,416
A06B-6078-H226#H500#CS	SPINDLE AMP SPM-26 TYPE I CSA	\$6,118	A06B-6079-H205#CS	SVM2-20/40 CSA	\$3,469
A06B-6078-H230#H500	USE A06B-6088-H230#H500 WHEN OUT 5.487	\$7,242	A06B-6079-H206	ALPHA SERVO AMP 2-40/40	\$3,246
A06B-6078-H302#H500	ALPHA SPDL AMP SPM-2.2 TYPE II	\$4,888	A06B-6079-H206#CE	ALPHA SERVO AMP SVM2-40/40	\$3,416
A06B-6078-H306#H500	ALPHA SPDL AMP SPM-5.5 TYPE II	\$4,888	A06B-6079-H206#CS	SVM2-40/40 CSA	\$3,469
A06B-6078-H306#H500#EM	H500#EM ALPHA SPAMP CE96 5 5 II	\$4,888	A06B-6079-H207	ALPHA SERVO AMP 2-40/80	\$3,612
A06B-6078-H311#H500	ALPHA SPDL AMP SPM-11 TYPE II	\$4,830	A06B-6079-H207#CS	SVM2-40/80 CSA	\$3,666
A06B-6078-H311#H500#EM	H500#EM ALPHA SPAMP CE96 11 II	\$5,084	A06B-6079-H208	ALPHA SERVO AMP 2-80/80	\$3,808
A06B-6078-H315#H500	SPINDLE AMP SPM-15 TYPE II	\$6,064	A06B-6079-H208#CS	SVM2-80/80 CSA	\$3,863
A06B-6078-H322#H500	SPINDLE AMP SPM-22 TYPE II	\$6,457	A06B-6079-H209	SV AMP SVM2-40L/40L	\$3,686
A06B-6078-H326#H500	SPINDLE AMP SPM-26 TYPE II	\$6,849	A06B-6079-H291	ALPHA SERVO AMP SVM2-3/3	\$2,703
A06B-6078-H330#H500	SPINDLE AMP SPM-30 TYPE II	\$8,222	A06B-6079-H301	ALPHA SERVO AMP 3-12/12/12	\$3,612
A06B-6078-H411#H500#CS	SP AMP 11 TYPE III	\$6,118	A06B-6079-H302	ALPHA SERVO AMP 3-12/12/20	\$3,612
A06B-6078-K001	FAN ADAPTER PSM-11, SPM-11	\$194	A06B-6079-H303	ALPHA SERVO AMP 3-12/20/20	\$3,612
A06B-6078-K001#CS	FAN FOR SPM-11 CSA	\$224	A06B-6079-H304	ALPHA SERVO AMP 3-20/20/20	\$3,612
A06B-6078-K002	FAN ADAPTER ALPHA/BETA DRIVES	\$194	A06B-6079-H305	ALPHA SERVO AMP 3-12/12/40	\$3,808
A06B-6078-K002#CS	FAN ADAPTER SVM1-130 CSA	\$224	A06B-6079-H306	ALPHA SERVO AMP 3-12/20/40	\$3,808
A06B-6078-K003	FAN ADAPTER PSM-45	\$358	A06B-6079-H307	ALPHA SERVO AMP 3-20/20/40	\$3,808
A06B-6078-K004	SPM 55 UPPER SIDE FAN	\$516	A06B-6079-H401	DYNAMIC BRAKE MODULE	\$1,037
A06B-6078-K005	FAN ADAPTER	\$516	A06B-6079-K800	CBL SVMTR PWR (GRP S) STR 14M	\$255
A06B-6078-K036	SWITCH UNIT Y-Y SPM2.2-30	\$1,967	A06B-6079-K801	CBL SVMTR PWR (GRP S) ELB 14M	\$263
A06B-6078-K037	SWITCH UNIT Y-D SPM2.2-30	\$1,967	A06B-6079-K802	CBL SVMTR PWR (GRP M) STR 14M	\$389
A06B-6078-K210	CONNECTOR SPM (CRMP) (SPM-SPM)	\$25	A06B-6079-K803	CBL SVMTR PWR (GRP M) ELB 14M	\$394
A06B-6078-K211	CONNECTOR SPM (SLDR) (SPM-SPM)	\$26	A06B-6079-K804	CBL SVMTR PWR (GRP L) STR 14M	\$546
A06B-6078-K212	CONNECTOR SPM (SLDR) PG SENSOR	\$9	A06B-6079-K805	CBL SVMTR PWR (GRP L) ELB 14M	\$554
A06B-6078-K213	CONNECTOR SPM (CRMP) (NC-SPM)	\$8	A06B-6079-K810	CONNECTOR ALPHA 3 (CE)	\$44
A06B-6078-K214	CONNECTOR SPM (SLDR) (NC-SPM)	\$9	A06B-6079-K811	CONN + CLAMP ST ALPHA 3 (CE) not IP67	\$52
A06B-6078-K215	CONNECTOR SPM (SOLDER) ENCODER	\$11	A06B-6079-K812	CONN + CLAMP EL ALPHA 3 (CE) not IP67	\$59
A06B-6078-K222	CONNECTORS	\$9	A06B-6079-K813	CONNECTOR ALPHA 12 (CE)	\$80
A06B-6078-K223	CONNECTORS	\$9	A06B-6079-K814	CONN + CLAMP ST ALPHA 12 (CE) not IP67	\$86
A06B-6078-K224	CONNECTORS	\$10	A06B-6079-K815	CONN + CLAMP EL ALPHA 12 (CE) not IP67	\$111
A06B-6078-K225	CONNECTORS	\$11	A06B-6079-K816	CONNECTOR ALPHA 30 (CE)	\$115
A06B-6078-K254	FUSE ALPHA SPNDL MDL 15	\$6	A06B-6079-K817	CONN + CLAMP ST ALPHA 30 (CE) not IP67	\$155
A06B-6078-K255	FUSE ALPHA SPNDL MDL 22,26	\$6	A06B-6079-K818	CONN + CLAMP EL ALPHA 30 (CE) not IP67	\$130
A06B-6078-K257	FUSE ALPHA SPNDL MDL 30	\$6	A06B-6079-K819	CONNECTOR BRAKE (CE)	\$50
A06B-6078-K800	BUS BAR 120-128MM	\$11	A06B-6079-K820	CONN + CLAMP ST BRAKE (CE)	\$67
A06B-6078-K801	BUS BAR 86-94MM	\$9	A06B-6079-K821	CONN + CLAMP EL BRAKE (CE)	\$55
A06B-6078-K802	BUS BAR 127-135MM	\$11	A06B-6080-H301	ALPHA SERVO AMP SVM3-12/12/12 TYPE B	\$3,612
A06B-6078-K803	BUS BAR 60-68MM	\$8	A06B-6080-H302	ALPHA SERVO AMP SVM3-12/12/20 TYPE B	\$3,612
A06B-6078-K804	BUS BAR 81-89MM	\$9	A06B-6080-H303	ALPHA SERVO AMP SVM3-12/20/20 TYPE B	\$3,612
A06B-6078-K805	BUS BAR 98-106MM	\$11	A06B-6080-H304	ALPHA SERVO AMP SVM3-20/20/20 TYPE B	\$3,612
A06B-6078-K808	CABLE KIT (BUS BARS) 200mm	\$86	A06B-6080-H305	ALPHA SERVO AMP SVM3-12/12/40 TYPE B	\$3,808
A06B-6078-K809	CABLE KIT (BUS BARS) 150mm	\$86	A06B-6080-H306	ALPHA SERVO AMP SVM3-12/20/40 TYPE B	\$3,808
A06B-6078-K810	CABLE KIT (BUS BARS) 100mm	\$106	A06B-6080-H307	ALPHA SERVO AMP SVM3-20/20/40 TYPE B	\$3,808

RENEWAL PARTS  
PRICING

D-50



Part Number	Description	Price	Part Number	Description	Price
A06B-6080-K801	CABLE/POWER A3-6	\$329	A06B-6088-H430#H500	ALPHA SPDL AMP SPM-30 TYPE III	\$9,611
A06B-6080-K803	CABLE	\$355	A06B-6088-H430#H507	SPMTR 30	\$9,611
A06B-6080-K804	CABLE/POWER A30-40	\$699	A06B-6088-H445#H500	ALPHA SPDL AMP SPM-45 TYPE III	\$13,385
A06B-6080-K805	CABLE/POWER A30-40	\$702	A06B-6088-K211	CONN FDBK STR 17-PIN	\$48
A06B-6080-K806	CABLE/POWER	\$179	A06B-6089-C900	FAN UNIT	\$470
A06B-6080-K807	CABLE	\$149	A06B-6089-H101	ALPHA SVU SV AMP 1-12	\$2,411
A06B-6080-K842	CABLE/POWER	\$305	A06B-6089-H102	ALPHA SVU SV AMP 1-20	\$2,538
A06B-6080-K843	CABLE	\$313	A06B-6089-H104	ALPHA SVU SV AMP SVU1-40	\$2,458
A06B-6080-K843#L-7M	CABLE	\$263	A06B-6089-H105	ALPHA SVU SV AMP 1-80	\$2,895
A06B-6081-H050	REGEN RES 16 OHM/100W (CE)	\$193	A06B-6089-H105#CE	USE A06B-6089-H105 WHEN OUT	\$3,048
A06B-6081-H101	POWER SUPPLY PSMR-1	\$1,301	A06B-6089-H106	ALPHA SVU SV AMP SVU1-130	\$5,437
A06B-6081-H103	ALPHA PWR SUPPLY PSMR-3	\$1,511	A06B-6089-H106#EM	ALPHA SVU SV AMP CE96 1-130	\$4,913
A06B-6081-H106	ALPHA PWR SUPPLY PSMR-5.5	\$1,873	A06B-6089-H201	ALPHA SVU SV AMP SVU2-12/12	\$4,689
A06B-6081-K250	FUSES 5A	\$2	A06B-6089-H202	ALPHA SVU SV AMP SVU2-12/20	\$4,689
A06B-6082-H202#H510	ALPHA SP AMP C MODULE 2.2	\$2,206	A06B-6089-H203	ALPHA SVU SV AMP SVU2-20/20	\$4,689
A06B-6082-H202#H512	ALPHA SPDL AMP SPMC-2.2	\$2,206	A06B-6089-H204	ALPHA SVU SV AMP SVU2-12/40	\$4,896
A06B-6082-H206#H510	ALPHA SP AMP C MODULE 5.5	\$2,206	A06B-6089-H205	ALPHA SVU SV AMP SVU2-20/40	\$4,896
A06B-6082-H206#H511	ALPHA SPDL AMP SPMC-5.5	\$2,382	A06B-6089-H206	ALPHA SVU SV AMP SVU2-40/40	\$4,685
A06B-6082-H206#H512	ALPHA SPDL AMP SPMC-5.5	\$2,144	A06B-6089-H206#CE	SV AMP SVU2-40/40 (CE)	\$4,932
A06B-6082-H211#H500	SPINDLE AMP C-11	\$2,609	A06B-6089-H207	ALPHA SVU SV AMP SVU2-40/80	\$5,069
A06B-6082-H211#H510	ALPHA SP AMP C MODULE 11	\$2,417	A06B-6089-H208	ALPHA SVU SV AMP SVU2-80/80	\$4,488
A06B-6082-H211#H511	USE A06B-6082-H211#H512WHEN OUT	\$2,417	A06B-6089-H209	SERVO AMP SVU2-12/80	\$4,815
A06B-6082-H211#H512	ALPHA SPDL AMP SPMC-11	\$2,417	A06B-6089-H210	SVU2-20/80	\$4,815
A06B-6082-H215#H512	ALPHA SPDL AMP SPMC-15	\$3,343	A06B-6089-H321	SVU3-12/12/12	\$4,844
A06B-6082-H222#H512	ALPHA SPDL AMP SPMC-22	\$3,760	A06B-6089-H322	SVU3-12/12/20	\$5,039
A06B-6082-H226#H512	ALPHA SPDL AMP SPMC-26	\$4,029	A06B-6089-H323	SVU3-12/20/20	\$5,232
A06B-6082-H512#9D12	ALPHA SPINDLE EPROM UPGRADE	\$243	A06B-6089-H324	A SVU AMP CE96 SVU3-20/20/20	\$5,158
A06B-6082-K808	CONNECTION CABLE (200MM)	\$73	A06B-6089-H500	REGEN RESISTOR 16 OHM 200 WATT	\$253
A06B-6082-K809	CONNECTION CABLE (150MM)	\$73	A06B-6089-H510	REGEN RESISTOR 16 OHM 100 WATT	\$189
A06B-6082-K810	CONNECTION CABLE (100MM)	\$72	A06B-6089-H711	REGEN RESISTOR 8 OHM 8KW FAN	\$410
A06B-6083-H130	POWER SUPPLY PSM-30(HV)	\$7,698	A06B-6089-H712	SUB MODULE C (RES) 80HM/1200W	\$714
A06B-6083-H218	CAPACITOR MODULE PSMC-18HV	\$1,263	A06B-6089-H713	REGEN RESISTOR 16 OHM .8KW FAN	\$486
A06B-6083-H230	CAPACITOR MODULE PSMC-30HV	\$1,714	A06B-6089-H714	REGEN RESIST 16 OHM 1.2KW FAN	\$714
A06B-6083-H245	CAPACITOR MODULE PSMC-45HV	\$2,730	A06B-6089-K201	CONNECTOR	\$2
A06B-6085-H102	SERVO AMP HV SVM1-20HV	\$3,097	A06B-6089-K202	CONNECTOR ALPHA SVU E-STOP	\$2
A06B-6085-H103	SERVO AMP HV SVM1-40HV	\$3,269	A06B-6089-K203	SPARE FAN SVU1-130 / RESISTORS	\$95
A06B-6085-H104	SERVO AMP HV SVM1-60HV	\$3,294	A06B-6089-K250	FUSE	\$2
A06B-6085-H203	SVAMP SVM2-20/60HV	\$4,569	A06B-6090-H002	SVUC1-4	\$2,351
A06B-6085-H204	SVMTR 2-40/40HV	\$4,863	A06B-6090-H003	SVUC-12	\$2,540
A06B-6085-H205	SVM2-40/60HV	\$4,912	A06B-6090-H004	SVUC-40	\$2,540
A06B-6085-H206	SERVO AMP HV SVM2-60/60HV	\$4,937	A06B-6090-H006	SVUC-80	\$3,047
A06B-6087-H115	ALPHA PWR SUPPLY PSM-15	\$3,990	A06B-6090-H006#CS	SVUC1-80 CSA	\$3,282
A06B-6087-H115#CS	POWER SUPPLY PSM-15 CSA	\$4,255	A06B-6090-H101	ALPHA SSU SV AMP SVU1-12	\$2,610
A06B-6087-H126	ALPHA PWR SUPPLY PSM-26	\$4,888	A06B-6090-H105	SVU1-80	\$3,121
A06B-6087-H126#BM	ALPHA PWR SUPPLY PSM-26 BACKUP MOD	\$5,238	A06B-6090-H222	SVUC2-4/4	\$4,685
A06B-6087-H126#CS	POWER SUPPLY PSM-26 CSA	\$4,941	A06B-6090-H223	SVUC2-4/12	\$4,932
A06B-6087-H126#J402	ALPHA PWR SUP PSM-26 (W/MOD)	\$5,240	A06B-6090-H224	SVUC2-4/40	\$4,685
A06B-6087-H130	POWER SUPPLY PSM-30	\$5,476	A06B-6090-H233	SVUC2-12/12	\$4,685
A06B-6087-H130#BM	ALPHA PWR SUPPLY PSM-30 BACKUP MOD	\$5,922	A06B-6090-H234	SVUC2-12/40	\$4,882
A06B-6087-H130#CS	POWER SUPPLY PSM-30 CSA	\$5,530	A06B-6090-H236	SVUC2-12/80	\$4,724
A06B-6087-H130#J402	ALPHA PWR SUP PSM-30 (W/MOD)	\$5,921	A06B-6090-H244	SVUC2-40/40	\$4,488
A06B-6087-H130#J429	ALPHA PSM-30 MODIFIED	\$5,476	A06B-6090-H246	SVUC2-40/80	\$4,602
A06B-6087-H137	POWER SUPPLY PSM-37	\$5,820	A06B-6090-H266	SVUC2-80/80	\$4,917
A06B-6087-H137#J429	ALPHA PSM-37 MODIFIED	\$5,820	A06B-6091-H001	POWER FAILURE BACK UP MODULE	\$1,631
A06B-6087-H155	PSM 55	\$10,920	A06B-6091-H002	POWER FAILURE BACKUP MODULE	\$2,610
A06B-6087-H155#BM	ALPHA PWR SUPPLY PSM-55 BACKUP MOD	\$10,920	A06B-6091-H020	POWER FAILURE DISCHARGE UNIT (SUB M	\$139
A06B-6087-H155#J429BM	ALPHA PSM-55 BACKUP MODIFIED	\$10,920	A06B-6091-H118	PWR SUPPLY MODULE PSM-18HV	\$5,766
A06B-6087-H307	ALPHA MOD SV AMP3-20/20/40 F/O	\$3,808	A06B-6091-H130	PWR SUPPLY MODULE PSM-30HV	\$6,288
A06B-6088-H001	SPNDL SPD MON CKT 3X	\$1,258	A06B-6091-H145	ALPHA POWER SUPPLY PSM45 HV	\$6,992
A06B-6088-H002	SPINDLE SPEED MONITOR CIRCUIT	\$1,048	A06B-6091-H175	PSM-75HV	\$12,541
A06B-6088-H145#H500	USE A06B-6102-H145#H520 WHEN OUT	\$13,047	A06B-6091-H175#J429	ALPHA PSM-75HV MODIFIED	\$12,541
A06B-6088-H222#H500#EM	H500#EM ALPHA SPAMP CE96 22 I	\$6,320	A06B-6091-H175#J429BM	PSM-75HV	\$12,541
A06B-6088-H226	AMPLIFIER	\$6,708	A06B-6091-K213	CONNECTOR, SOLDER TYPE	\$32
A06B-6088-H226#H500	USE A06B-6102-H226#H520 WHEN OUT	\$6,708	A06B-6092-H275#H508	USE A06B-6104-H275#H520 WHEN OUT	\$11,877
A06B-6088-H226#H500#CS	SP AMP PSM-26 CSA	\$6,760	A06B-6092-H326#H500	ALPHA SP AMP SPM-26HV TYPE II	\$7,637
A06B-6088-H230#H500#EM	H500#EM ALPHA SPAMP CE96 30 I	\$8,643	A06B-6092-H345#H500	SPAMP SPM-45HV	\$7,970
A06B-6088-H245#H500#EM	H500#EM ALPHA SPAMP CE96 45 I	\$11,885	A06B-6092-H345#H508	SPM 45HV TYPE2	\$7,970
A06B-6088-H315#H500	ALPHA SPDL AMP SPM-15 TYPE II	\$6,708	A06B-6092-H375#H500	ALPHA SP AMP SPM-75HV TYPE II	\$12,759
A06B-6088-H315#H500#EM	H500#EM ALPHA SPAMP CE96 15 II	\$6,708	A06B-6092-H375#H508	SPM 75HV TYPE II	\$12,759
A06B-6088-H322#H500	ALPHA SPDL AMP SPM-22 TYPE II	\$6,740	A06B-6093-D001	MPG ADAPTER FOR BETA AMP W/O LINK	\$160
A06B-6088-H322#H500#EM	H500#EM ALPHA SPAMP CE96 22 II	\$7,095	A06B-6093-H101	BETA SVU SV AMP 1-12	\$1,160
A06B-6088-H326#H500	ALPHA SPDL AMP SPM-26 TYPE II	\$7,107	A06B-6093-H102	BETA SVU SV AMP 1-20	\$1,282
A06B-6088-H326#H500#EM	H500#EM ALPHA SPAMP CE96 26 II	\$7,482	A06B-6093-H103	BETA SVU SV AMP 1-40	\$2,160
A06B-6088-H330#H500	ALPHA SPDL AMP SPM-30 TYPE II	\$9,611	A06B-6093-H104	BETA SVU SV AMP 1-80	\$2,266
A06B-6088-H330#H500#EM	H500#EM ALPHA SPAMP CE96 30 II	\$9,611	A06B-6093-H111	BETA SVU AMP 1-12 F/O	\$1,029
A06B-6088-H345#H500	ALPHA SPDL AMP SPM-45 TYPE II	\$12,611	A06B-6093-H112	BETA SVU AMP 1-20 F/O	\$1,596
A06B-6088-H411#H500	ALPHA SPDL AMP SPM-11 TYPE III	\$6,832	A06B-6093-H113	BETA SVU SV AMP 1-40 F/O	\$2,451
A06B-6088-H411#H500#EM	H500#EM ALPHASAMP CE96 11 III	\$7,192	A06B-6093-H114	BETA SVU SV AMP 1-80 F/O	\$2,538
A06B-6088-H415#H500	ALPHA SPDL AMP SPM-15 TYPE III	\$7,192	A06B-6093-H119	SV AMP BETA1-4	\$1,535
A06B-6088-H415#H500#EM	H500#EM ALPHASAMP CE96 15 III	\$7,192	A06B-6093-H151	BETA I/O LINK SVU SV AMP 1-12	\$1,898
A06B-6088-H422#H500	ALPHA SPDL AMP SPM-22 TYPE III	\$7,869	A06B-6093-H152	BETA I/O LINK SVU SV AMP 1-20	\$1,862
A06B-6088-H422#H500#EM	H500#EM ALPHASAMP CE96 22 III	\$7,869	A06B-6093-H153	BETA I/O LINK SVU SV AMP 1-40	\$2,837
A06B-6088-H426#H500	ALPHA SPDL AMP SPM-26 TYPE III	\$7,844	A06B-6093-H154	BETA I/O LINK SVU SV AMP 1-80	\$2,943
A06B-6088-H426#H500#EM	H500#EM ALPHASAMP CE96 26 III	\$9,611	A06B-6093-H172	BETA I/O LINK SVU SV AMP 1-20	\$2,115



# A06B-6093-H401

Part Number	Description	Price	Part Number	Description	Price
A06B-6093-H401	BETA DISCH RESIST 30 OHM 20 W	\$33	A06B-6102-H130#H520	SPM-30 TYPE 4	\$9,896
A06B-6093-H402	BETA DISCH RESIST 30 OHM 100 W	\$52	A06B-6102-H145#H520	SPM-45 TYPE 4	\$13,213
A06B-6093-K001	BATTERY FOR BETA AMP ABS ENC	\$47	A06B-6102-H155#H520	SPM-55 TYPE 4	\$16,289
A06B-6093-K002	BATTERY CASE BETA AMP ABS ENC	\$8	A06B-6102-H202#H520	SPM-2.2 TYPE 1	\$3,477
A06B-6093-K004	BETA LIGHTNING SURGE ABSORB	\$88	A06B-6102-H206#H520	SPM-5.5 TYPE 1	\$3,477
A06B-6093-K021	ADPTR SRVO CHK BRD I/O LINK	\$463	A06B-6102-H211#H520	SPM-11 TYPE 1	\$4,093
A06B-6093-K301	CONN BETA AMP W/O DISCH RES	\$38	A06B-6102-H215#H520	SPM-15 TYPE 1	\$5,136
A06B-6093-K302	CONN BETA CX11-1,3,4,5 W/REG R	\$14	A06B-6102-H222#H520	SPM-22 TYPE 1	\$5,778
A06B-6093-K303	CONN BETA BATTERY	\$12	A06B-6102-H226#H520	SPM-26 TYPE 1	\$6,206
A06B-6093-K304	CONN BETA CX11-4,5	\$3	A06B-6102-H230#H520	SPM-30 TYPE 1	\$8,345
A06B-6093-K305	CONN CX11 W/O REGEN	\$27	A06B-6102-H245#H520	SPM-45 TYPE 1	\$11,929
A06B-6093-K306	CONN CX11 WITH REGEN	\$18	A06B-6102-H255#H520	SPM-55 TYPE 1	\$14,764
A06B-6093-K311	CONNECTOR INPUT PWR CX21	\$7	A06B-6102-H529#9D29	SPINDLE EPROM, SPECIAL, MULTIPOLE MOTOR	\$520
A06B-6093-K312	CONN MTR PWR CX22 LT 3.5MM	\$8	A06B-6102-H530#9D30	SPINDLE EPROM, SPECIAL, MULTIPOLE MOTOR	\$520
A06B-6093-K313	CONN MTR PWR CX22 GT 3.5mm	\$7	A06B-6104-H111#H520	SPAMP SPM-11HV TYPE 4	\$5,435
A06B-6093-K314	CONNECTOR REGEN RESISTOR	\$15	A06B-6104-H111#H530	SPAMP SPM-11HV TYPE 4	\$5,358
A06B-6093-K315	CONNECTOR REGEN RESISTOR	\$7	A06B-6104-H115#H520	SPAMP SPM-15HV TYPE 4	\$7,724
A06B-6093-K316	CONNECTOR 24V I/O CX19AB	\$5	A06B-6104-H126#H520	SPAMP SPM-26HV TYPE 4	\$8,401
A06B-6093-K317	CONNECTOR 24V I/O CX19AB	\$5	A06B-6104-H145#H520	SPAMP SPM-45HV	\$8,765
A06B-6093-K802	CBL B AMP B SVMTR PWR STR 14M	\$171	A06B-6104-H175#H520	SPM-75HV TYPE 4	\$13,988
A06B-6093-K803	CBL B0 5 MTR PWR W/O BRK 14M	\$284	A06B-6104-H211#H520	SPM-11HV TYPE 1	\$4,044
A06B-6093-K804	CBL B0 5 MTR PWR W/ BRK 14M	\$289	A06B-6104-H215#H520	SPAMP SPM-15HV TYPE 1	\$6,213
A06B-6093-K805	CBL B AMP A SVMTR PWR 14M	\$326	A06B-6104-H226#H520	ALPHA SP AMP SPM-26HV	\$6,890
A06B-6093-K806	CBL B AMP A BRK SVMTR PWR 14M	\$331	A06B-6104-H245#H520	ALPHA SPDL AMP SPM-45HV	\$7,246
A06B-6093-K807	CBL B AMP AC12 MTR PWR ELB 14M	\$216	A06B-6104-H275#H520	SPM-75HV TYPE 1	\$12,544
A06B-6093-K808	CBL B AMP AC12 MTR PWR STR 14M	\$214	A06B-6104-J405#H543	SPINDLE CONTROL BOARD FOR HRV2	\$2,263
A06B-6093-K810	CBL BETA BATTERY METH 2 5M	\$45	A06B-6110-C601	FAN UNIT	\$132
A06B-6094-K805	CABLE/POWER	\$253	A06B-6110-H006	POWER SUPPLY PSM-5.5I	\$3,317
A06B-6096-H101	ALPHA MODULAR SV AMP 1-12 F/O	\$2,296	A06B-6110-H011	POWER SUPPLY PSM-11I	\$3,531
A06B-6096-H102	ALPHA MODULAR SV AMP 1-20 F/O	\$2,296	A06B-6110-H015	POWER SUPPLY PSM-15I	\$4,173
A06B-6096-H103	ALPHA MODULAR SV AMP 1-40S F/O	\$2,659	A06B-6110-H026	POWER SUPPLY PSM-26I	\$4,921
A06B-6096-H104	ALPHA MODULAR SV AMP 1-40L F/O	\$2,641	A06B-6110-H030	POWER SUPPLY PSM-30I	\$5,563
A06B-6096-H105	ALPHA MODULAR SV AMP 1-80 F/O	\$2,756	A06B-6110-H037	POWER SUPPLY PSM-37I	\$5,938
A06B-6096-H105#H	ALPHA MODULAR SV AMP 1-80 F/O	\$2,901	A06B-6110-H055	POWER SUPPLY PSM-55I	\$11,501
A06B-6096-H106	ALPHA MODULAR SV AMP 1-130 F/O	\$3,416	A06B-6110-K203#ZZL	UNIV PWR CONN, AWG 8, ALPHA i AMP	\$7
A06B-6096-H106#H	ALPHA MODULAR SV AMP 1-130 F/O	\$3,416	A06B-6110-K203#ZZM	UNIV PWR CONN, AWG 12/10, ALPHA i Amp	\$7
A06B-6096-H107	ALPHA MOD SV AMP 1-240 F/O	\$6,286	A06B-6110-K203#ZZS	UNIV PWR CONN, AWG 16/14, ALPHA i Amp	\$7
A06B-6096-H108	ALPHA MOD SV AMP 1-360 F/O	\$6,384	A06B-6110-K203#ZZSS	UNIV PWR CONN, AWG 20/18/16, ALPHA i Amp	\$7
A06B-6096-H116	SVAMP SVM1 130S W/FSSB	\$3,416	A06B-6110-K210	CONNECTOR	\$3
A06B-6096-H116#H	SVAMP SVM1 130S W/FSSB	\$3,416	A06B-6110-K211	CONNECTOR FOR BATTERY	\$21
A06B-6096-H201	ALPHA MOD SV AMP 2-12/12 F/O	\$2,783	A06B-6110-K220#D5M	CRIMPING TOOL	\$2,980
A06B-6096-H202	ALPHA MOD SV AMP 2-12/20 F/O	\$2,901	A06B-6110-K220#D5R	PULL OUT TOOL	\$87
A06B-6096-H203	ALPHA MOD SV AMP 2-20/20 F/O	\$2,901	A06B-6110-K220#D5S	CRIMPING TOOL	\$3,217
A06B-6096-H204	ALPHA MOD SV AMP 2-12/40 F/O	\$3,416	A06B-6110-K220#D5SS	CRIMPING TOOL	\$2,877
A06B-6096-H205	ALPHA MOD SV AMP 2-20/40 F/O	\$3,416	A06B-6110-K801	JUMPER CABLE, 24V+SIGNA, ALPHA i, 200mm	\$15
A06B-6096-H206	ALPHA MOD SV AMP 2-40/40 F/O	\$3,416	A06B-6110-K802	JUMPER CABLE, 24V+SIGNA, ALPHA i, 150mm	\$15
A06B-6096-H207	ALPHA MOD SV AMP 2-40/80 F/O	\$3,612	A06B-6110-K803	JUMPER CABLE, 24V+SIGNA, ALPHA i, 100mm	\$15
A06B-6096-H208	ALPHA MOD SV AMP 2-80/80 F/O	\$3,808	A06B-6110-K804	JUMPER CABLE, 24V+SIGNA, ALPHA i, 400mm	\$18
A06B-6096-H209	ALPHA MOD SV AMP2-40L/40L F/O	\$3,686	A06B-6111-H002#H550	SPINDLE AMP Type A SPM-2.2i	\$3,477
A06B-6096-H301	ALPH MOD SV AMP3-12/12/12 F/O	\$3,612	A06B-6111-H006#H550	SPINDLE AMP Type A SPM-5.5i	\$3,477
A06B-6096-H302	ALPH MOD SV AMP3-12/12/20 F/O	\$3,612	A06B-6111-H011#H550	SPINDLE AMP Type A SPM-11i	\$4,092
A06B-6096-H304	ALPH MOD SV AMP3-20/20/20 F/O	\$3,612	A06B-6111-H015#H550	SPINDLE AMP Type A SPM-15i	\$5,136
A06B-6096-H305	ALPH MOD SV AMP3-12/12/40 F/O	\$3,808	A06B-6111-H022#H550	SPINDLE AMP Type A SPM-22i	\$5,777
A06B-6096-H306	ALPH MOD SV AMP3-12/20/40 F/O	\$3,808	A06B-6111-H026#H550	SPINDLE AMP Type A SPM-26i	\$6,205
A06B-6096-H307	ALPH MOD SV AMP3-20/20/40 F/O	\$3,808	A06B-6111-H030#H550	SPINDLE AMP Type A SPM-30i	\$8,345
A06B-6096-K301	SVM1 FSSB SRVO MOD KIT	\$780	A06B-6111-H037#H550	SPAMP SPM-37I	\$8,615
A06B-6096-K302	SVM FSSB CONV H201-6	\$915	A06B-6111-H045#H550	SPINDLE AMP Type A SPM-45i	\$11,928
A06B-6096-K303	SVM FSSB CONV H106	\$780	A06B-6111-H055#H550	SPINDLE AMP Type A SPM-55i	\$14,764
A06B-6096-K304	SVM FSSB CONV H207-9	\$912	A06B-6111-H403	SUBMODULE SSM-100 AMPS	\$853
A06B-6096-K305	SVM FSSB CONV H301-7	\$1,212	A06B-6112-H002#H550	SPINDLE AMP Type B SPM-2.2i	\$5,402
A06B-6096-K306	SVM FSSB CONV H107	\$1,293	A06B-6112-H006#H550	SPINDLE AMP Type B SPM-5.5i	\$5,402
A06B-6096-K307	SVM FSSB CONV H108	\$1,505	A06B-6112-H011#H550	SPINDLE AMP Type B SPM-11i	\$5,617
A06B-6097-H102	SVAMP SVM1-20HV	\$3,097	A06B-6112-H015#H550	SPINDLE AMP Type B SPM-15i	\$6,687
A06B-6097-H103	ALPHA AMP SVM1-40HV F/O	\$3,269	A06B-6112-H022#H550	SPINDLE AMP Type B SPM-22i	\$7,114
A06B-6097-H104	ALPHA AMP SVM1-60HV F/O	\$3,294	A06B-6112-H026#H550	SPINDLE AMP Type B SPM-26i	\$7,543
A06B-6097-H104R	ALPHA AMP SVM1-60HV F/O	\$3,294	A06B-6112-H030#H550	SPINDLE AMP Type B SPM-30i	\$9,896
A06B-6097-H105	ALPHA AMP SVM1-80HV F/O	\$3,440	A06B-6112-H045#H550	SPINDLE AMP TYPE B SPM-45i	\$14,410
A06B-6097-H201	SVAMP SVM2-20/20HV	\$4,250	A06B-6114-H103	SERVO AMP SVM1-20i	\$2,033
A06B-6097-H202	SVM2-20/40HV	\$4,544	A06B-6114-H104	SERVO AMP SVM1-40i	\$2,461
A06B-6097-H203	ALPHA MODULAR AMP,SVM2-20/60HV	\$4,569	A06B-6114-H105	SERVO AMP SVM1-80i	\$2,568
A06B-6097-H204	ALPHA AMP SVM2-40/40HV F/O	\$4,863	A06B-6114-H106	SERVO AMP SVM1-160i	\$3,317
A06B-6097-H205	SVM2-40/60HV	\$4,912	A06B-6114-H109	SERVO AMP SVM1-360i	\$6,553
A06B-6097-H206	ALPHA AMP SVM2-60/60HV F/O	\$4,937	A06B-6114-H205	SERVO AMP SVM2-20/20i	\$2,568
A06B-6098-H001	ALPHA PSMV-11 INPUT UNIT	\$1,239	A06B-6114-H206	SERVO AMP SVM2-20/40i	\$3,317
A06B-6098-H111	ALPHA POWER SUPPLY PSMV-11HV	\$4,005	A06B-6114-H207	SERVO AMP SVM2-40/40i	\$3,317
A06B-6098-K200	CONNECTOR KIT	\$9	A06B-6114-H208	SERVO AMP SVM2-40/80i	\$3,531
A06B-6098-K250	FUSE KIT - FSMV 11HV	\$224	A06B-6114-H209	SERVO AMP SVM2-80/80i	\$3,744
A06B-6100-H003	6-AX. SERVO AMP	\$7,389	A06B-6114-H210	SERVO AMP SVM2-80/160i	\$3,958
A06B-6102-H102#H520	SPM-2.2 TYPE 4	\$5,403	A06B-6114-H211	SERVO AMP SVM2-160/160i	\$4,173
A06B-6102-H106#H520	SPM-5.5 TYPE 4	\$5,403	A06B-6114-H303	SERVO AMP SVM3-20/20/20i	\$3,531
A06B-6102-H111#H520	SPM-11 TYPE 4	\$5,617	A06B-6114-H304	SERVO AMP SVM3-20/20/40i	\$3,744
A06B-6102-H115#H520	SPM-15 TYPE 4	\$6,688	A06B-6114-K201#JN1L	CRIMPING TOOL 0.5 & 0.18 SQ MM	\$1,632
A06B-6102-H122#H520	SPM-22 TYPE 4	\$7,114	A06B-6114-K201#JN1R	EXTRACTOR TOOL	\$344
A06B-6102-H126#H520	SPM-26 TYPE 4	\$7,543	A06B-6114-K201#JN1S	CRIMPING TOOL 0.3 SQ MM	\$1,632

RENEWAL PARTS  
PRICING

D-52





Part Number	Description	Price
A06B-6114-K202#E	CONNECTOR SUPPORT F/RIGHT ANGLE	\$34
A06B-6114-K202#S	CONN SUPPORT FOR ALPHA I STR-TYPE F	\$31
A06B-6114-K204#E	Conn Elbow, ALPHA i Motors, Feedback	\$41
A06B-6114-K204#S	CONN Str, Alpha i Motors, Feedback	\$41
A06B-6114-K210#E	CONN ELBOW (24V BRAKE)	\$42
A06B-6114-K210#S	CONN Straight BRAKE)	\$42
A06B-6114-K211#E	CONNECTOR, FAN F/ALPHA i MOTOR Elbow	\$37
A06B-6114-K211#S	CONNECTOR, FAN F/ALPHA i MOTORS Straight	\$37
A06B-6114-K215#E	BRAKE CONNECTOR SUPPORT F/RIGHT ANGLE	\$26
A06B-6114-K220#E	CONN ELB (MOTOR & BRAKE POWER) CLAMP	\$55
A06B-6114-K220#S	CONN STR (MOTOR & BRAKE POWER) CLAMP	\$52
A06B-6114-K221#C	CLAMPING TOOL PWR TERM AM2I-AM3I A1	\$2,544
A06B-6114-K221#R	EXTRACTR TOOL PWR TERM AM2I-AM3I A1	\$206
A06B-6114-K230#E	Power Plug F/bM0 5 i Series Motors	\$69
A06B-6114-K230#S	Power Plug, bM0 5 motor, straight	\$64
A06B-6114-K232#E	Brake Plug, Beta is, elbow	\$47
A06B-6114-K232#S	Brake Plug, Beta is, straight	\$43
A06B-6114-K240	Power Plug F/AMO 2 i Series Motors	\$5
A06B-6114-K241	CONNECTOR	\$5
A06B-6114-K500	BATTERY CASE	\$4
A06B-6114-K501	BATTERY CASE	\$20
A06B-6115-H003	POWER SUPPLY PSMR-3I	\$1,337
A06B-6115-H006	POWER SUPPLY MODULE PSMR-5.5I	\$1,658
A06B-6116-H006#H560	SPINDLE AMP SPMC-5.5I	\$1,953
A06B-6116-H011#H560	SPINDLE AMP SPMC-11I	\$2,139
A06B-6120-H011	POWER Alpha PSM-11HVi	\$4,012
A06B-6120-H018	POWER Alpha PSM-18HVi	\$4,360
A06B-6120-H030	POWER Alpha PSM-30HVi	\$6,473
A06B-6120-H045	POWER Alpha PSM-45HVi	\$7,216
A06B-6120-H075	POWER Alpha PSM-75HVi	\$13,268
A06B-6120-H100	POWER Alpha PSM-100HVi	\$15,059
A06B-6121-H006#H550	SPAMP Alpha SPM-5.5HVi STD FBCK	\$3,824
A06B-6121-H011#H550	SPAMP Alpha SPM-11HVi STD FBCK	\$4,044
A06B-6121-H015#H550	SPAMP AHVI SPM-15 STD FBCK	\$5,509
A06B-6121-H030#H550	SPAMP Alpha SPM-30HVi STD FBCK	\$6,890
A06B-6121-H045#H550	SPAMP Alpha SPM-45HVi STD FBCK	\$7,246
A06B-6121-H075#H550	SPAMP Alpha SPM-75HVi STD FBCK	\$12,544
A06B-6121-H100#H550	SPAMP AHVI SPM-100 STD FBCK	\$17,251
A06B-6122-H006#H550	SPAMP AHVI SPM-5.5 DUAL ANALOG FBCK	\$5,921
A06B-6122-H006#H553	SPAMP AHVI SPM-5.5 DUAL ANALOG FBCK	\$5,921
A06B-6122-H011#H550	SPAMP AHVI SPM-11 DUAL ANALOG FBCK	\$6,160
A06B-6122-H015#H550	SPAMP AHVI SPM-15 DUAL ANALOG FBCK	\$7,759
A06B-6122-H030#H550	SPAMP AHVI SPM-30 DUAL ANALOG FBCK	\$9,265
A06B-6122-H030#H553	SP AMP AHVI SPM-30 TYPE2 SYNCH	\$9,265
A06B-6122-H045#H550	SPAMP AHVI SPM-45 DUAL ANALOG FBCK	\$9,652
A06B-6122-H045#H553	SP AMP AHVI SPM-45 TYPE2 SYNCH	\$9,652
A06B-6122-H075#H550	SPAMP AHVI SPM-75 DUAL ANALOG FBCK	\$15,430
A06B-6122-H100#H553	SPM-100HVi TYPE B SPECIAL SOFTWARE	\$18,856
A06B-6124-H102	SVAMP Alpha SVM1-10HVi	\$2,300
A06B-6124-H103	SVAMP Alpha SVM1-20HVi	\$2,675
A06B-6124-H104	SVAMP Alpha SVM1-40HVi	\$2,755
A06B-6124-H105	SVAMP Alpha SVM1-80HVi	\$3,183
A06B-6124-H106	SVAMP Alpha SVM1-180HVi	\$7,221
A06B-6124-H109	SVAMP Alpha SVM1-360HVi	\$14,122
A06B-6124-H202	SVAMP Alpha SVM2-10/10HVi	\$2,968
A06B-6124-H205	SVAMP Alpha SVM2-20/20HVi	\$3,397
A06B-6124-H206	SVAMP Alpha SVM2-20/40HVi	\$3,985
A06B-6124-H207	SVAMP Alpha SVM2-40/40HVi	\$4,333
A06B-6124-H208	SVAMP Alpha SVM2-40/80HVi	\$4,494
A06B-6124-H209	SVAMP Alpha SVM2-80/80HVi	\$4,627
A06B-6127-H202	SVAMP 30I S2-10/10HVi	\$2,968
A06B-6127-H207	SVAMP 30I S2-40/40HVi	\$4,333
A06B-6130-H001	BSVM1-4 FSSB AMPLIFIER	\$1,183
A06B-6130-H002	BSVM1-20 FSSB AMPLIFIER	\$1,471
A06B-6130-H003	BSVM1-40 FSSB AMPLIFIER	\$2,409
A06B-6130-H004	BSVM1-80 FSSB AMPLIFIER	\$2,616
A06B-6130-H402	EXT DISCHARGER	\$52
A06B-6130-K200	bSVM1-i CONN. KIT CZ7	\$8
A06B-6130-K201	bSVM1-i CONN. KIT CX19A-B	\$3
A06B-6130-K202	bSVM1-i CONN. KIT CA20	\$1
A06B-6130-K203	bSVM1-i CONN. KIT CX29	\$1
A06B-6130-K204	bSVM1-i CONN. KIT CX30	\$1
A06B-6134-H201#A	SVPM2-5.5I BETA AMP W/SP FB	\$4,119
A06B-6134-H202#A	SVPM2-11I BETA AMP W/SP FB	\$4,387
A06B-6134-H203#A	SVPM2-15I BETA AMP W/SP FB	\$4,868
A06B-6134-H301#A	SVPM3-5.5I BETA AMP W/SP FB	\$4,573
A06B-6134-H302#A	SVPM3-11I BETA AMP W/SP FB	\$4,841
A06B-6134-H303#A	SVPM3-15I BETA AMP W/SP FB	\$5,296
A06B-6134-K001	FAN UNIT FOR SVPM AMPLIFIERS	\$126
A06B-6134-K002	Fan UNIT FOR BSVM1-40I, -80I	\$142
A06B-6134-K003	Fan UNIT FOR BSVM1-4I, -20I	\$59
A06B-6134-K201	CONN. SVPM (CX3, CX4, CXA2C)	\$6
A06B-6135-H001	PWM DISTRIBUTION MODULE	\$2,902
A08B-0031-H630	FAPT POST	\$228

Part Number	Description	Price
A08B-0031-J560#E	FAPT PASCAL 68000	\$2,286
A08B-0031-J561	DEMONSTRATION LIBRARY	\$228
A08B-0031-J562	PROTOCOL LIBRARY	\$3,188
A08B-0031-J563	POSITIONING MODULE LIBRARY	\$6,831
A08B-0031-J590#E	MONOCHROME FAPT LADDER S/W	\$3,871
A08B-0031-J591#E1	FAPT LADDER(PMC-I)	\$2,286
A08B-0031-J591#E2	PMC-I CONVERT DATA SOFTWARE	\$2,286
A08B-0031-J961	FAPT LADDER L-DATA	\$455
A08B-0031-J962	PMC-M DATA	\$455
A08B-0031-J963	FAPT LADDER M-DATA W/MMC	\$455
A08B-0031-J970	DATA FOR PMC-I SOFTWARE	\$455
A08B-0031-J971	FS11TT DATA	\$455
A08B-0031-J973	PMC-I DATA	\$455
A08B-0031-J974	PMC-N DATA P-G	\$455
A08B-0031-K801	PC98/AT-PUNCH PANEL	\$351
A08B-0031-K802	ON-LINE CABLE #2 (14 METERS)	\$430
A08B-0033-H600#E	FAPT DOCTOR	\$455
A08B-0033-H610#E	FAPT TEACHER	\$455
A08B-0033-H620#E	FAPT LADDER	\$455
A08B-0033-J510#E	FAPT DIGITIZER	\$2,618
A08B-0033-J520#E	FAPT PUNCH	\$2,618
A08B-0033-J560#E	PG MK I FAPT PASCAL 68000	\$2,286
A08B-0033-J570#E	FAPT PASCAL 8086	\$2,286
A08B-0033-J580#E	FAPT UNIVERSAL POST	\$4,189
A08B-0033-J591#E	COLOR FAPT LADDER SOFTWARE	\$2,286
A08B-0033-J593#E	FAPT LADDER PMC-K/L/M/P	\$2,286
A08B-0033-J594#E	FAPT LADDER PMC-N	\$2,286
A08B-0033-J594#F	FAPT LADDER PMC-N (FRENCH)	\$2,286
A08B-0033-J600#E	FAPT TURN	\$2,618
A08B-0033-J620#E	FAPT CUT	\$2,618
A08B-0033-J640#E	FAPT MILL	\$2,618
A08B-0033-J660#E	FAPT DIE II	\$43,943
A08B-0033-J662#E	FAPT DIE II CUT	\$8,743
A08B-0033-J700#E	FAPT PUNCH II	\$2,618
A08B-0033-J800#E	SYMBOLIC FAPT TURN	\$2,618
A08B-0033-J820#E	SYMBOLIC FAPT CUT	\$2,618
A08B-0033-J840#E	SYMBOLIC FAPT MILL	\$2,618
A08B-0033-J861#E	SYMBOLIC FAPT DRILL	\$2,618
A08B-0035-B001	PG MARK II 100VAC	\$19,244
A08B-0035-C002	KEY BOARD UNIT, FS P-G.MARK II	\$1,530
A08B-0035-C004	DISK DRIVE, FLOPPY, MARK II	\$1,118
A08B-0035-H501	ROM UNIT	\$153
A08B-0035-H502	ROM UNIT	\$215
A08B-0035-H503	ROM UNIT	\$108
A08B-0035-H600#E	FAPT DOCTOR	\$455
A08B-0035-H610#E	FAPT TEACHER	\$455
A08B-0035-H620#E	FAPT TRACER	\$455
A08B-0035-H621#E	FAPT TRACER II	\$455
A08B-0035-H621#F	FAPT TRACER-II (FRENCH)	\$455
A08B-0035-H630	FAPT POST	\$455
A08B-0035-J010	FLOPPY DISK UNIT (5.25")	\$1,592
A08B-0035-J011	FLOPPY DISK UNIT 5.25 HIGH/DEN	\$1,592
A08B-0035-J020	EXTERNAL CRT	\$7,741
A08B-0035-J510#E	FAPT. DIGITIZER SOFTWARE	\$3,188
A08B-0035-J520#E	FAPT. PUNCH-1 SOFTWARE	\$3,188
A08B-0035-J530#E	FAPT SOFTWARE/PG-MATE	\$1,594
A08B-0035-J531#E	FAPT CUT MATE SOFTWARE	\$1,594
A08B-0035-J532#E	FAPT MILL MATE S/W - ENGLISH	\$1,594
A08B-0035-J540#E	MACRO COMPILER	\$3,188
A08B-0035-J541	MACRO EXECUTOR	\$455
A08B-0035-J542	MACRO COM EXEC P-G MKII W/GRAP	\$455
A08B-0035-J543	MACRO COM, EXEC	\$455
A08B-0035-J543#0A8P	GRAPHIC CONV. MACH CTR 0-MF	\$455
A08B-0035-J543#0A8Q	GRAPHIC CONV. MACH CTR 0-MF	\$455
A08B-0035-J544	FAPT MACRO COMPILER-EXECUTOR	\$455
A08B-0035-J560#E	PMC-NA FAPT PASCAL PG MARK II	\$2,286
A08B-0035-J570#E	FAPT PASCAL 8086 PGMKII REQ	\$2,286
A08B-0035-J580#E	FAPT UNIVERSAL POST	\$5,351
A08B-0035-J591#E	FAPT LADDER SOFTWARE	\$2,286
A08B-0035-J593#E	FAPT LADDER PMC-K/L/M/P	\$2,286
A08B-0035-J594#E	PMC-NA FAPT LADDER PG MARK II	\$2,286
A08B-0035-J595#E	FAPT LADDER PMC-SA1/SA2	\$2,286
A08B-0035-J596#E	FAPT LAD PMC-RB/RC F P-G.MARKII	\$2,286
A08B-0035-J600#E	FAPT TURN	\$3,188
A08B-0035-J605#E	FAPT TURN ON-LINE	\$4,781
A08B-0035-J610#E	FAPT C-TURN W KEY LOCK	\$11,157
A08B-0035-J620#E	FAPT CUT-E	\$3,188
A08B-0035-J630#E	FAPT LASER	\$3,188
A08B-0035-J640#E	FAPT MILL	\$3,188
A08B-0035-J641#E	220S FAPT MILL-E	\$3,188
A08B-0035-J642#E	FAPT HELICAL	\$7,969
A08B-0035-J645#E	ONLINE MILL-E SOFTWARE	\$4,781
A08B-0035-J660#E	FAPT DIE-III	\$31,876
A08B-0035-J662#E	FAPT CUT SURFACE	\$7,969

RENEWAL PARTS  
PRICING

D-53



# A08B-0035-J680#E

Part Number	Description	Price	Part Number	Description	Price
A08B-0035-J680#E	FAPT MODEL ENGLISH	\$3,188	A08B-0036-J765#BA22	CAP I 16-MA W/ MACRO EXEC	\$455
A08B-0035-J700#E	FAPT. PUNCH-2 SOFTWARE	\$3,188	A08B-0036-J767	FAPT MACRO COMPILER P-G MATE	\$455
A08B-0035-J720	MACRO COMPILER PG M2	\$3,188	A08B-0036-J780	FAPT MACRO COMPILER I	\$3,188
A08B-0035-J720#E	FAPT MACRO COMPILER I	\$3,188	A08B-0036-J780#E	FAPT MACRO COMPILER I	\$3,188
A08B-0035-J760#E	FAPT MACRO COMPILER	\$3,188	A08B-0036-J781	FAPT MACRO COMPILER II	\$3,188
A08B-0035-J761	FAPT MACRO COMPILER S-16	\$455	A08B-0036-J960	PMC-K DATA	\$455
A08B-0035-J767	FAPT MACRO COMPILER P-G MK-II	\$455	A08B-0036-J961	PMC L DATA	\$455
A08B-0035-J770#E	FAPT CAD LINK	\$3,984	A08B-0036-J962	PMC M DATA	\$455
A08B-0035-J780	FAPT MACRO COMPILER I	\$3,188	A08B-0036-J963	PMC M DATA (MMC)	\$455
A08B-0035-J780#E	FAPT MACRO COMPILER I	\$3,188	A08B-0036-J964	PMC-RA1/RA2/RB/RB2/RC DATA	\$455
A08B-0035-J781	FAPT MACRO COMPILER II	\$3,188	A08B-0036-J970	DATA FOR PMC I	\$455
A08B-0035-J790	CONCURRENT DOS 86 R4.1	\$1,935	A08B-0036-J971	PMC I DATA 11TT	\$455
A08B-0035-J800#E	SYMBOLIC FAPT TURN	\$3,188	A08B-0036-J972	PMC J DATA	\$455
A08B-0035-J800#F	SYMB FAPT TURN (FRENCH)	\$3,188	A08B-0036-J973	PMC I DATA F/CASSETTE C	\$455
A08B-0035-J820#E	SYMBOLIC FAPT CUT	\$3,188	A08B-0036-J974	PMC-N DATA	\$455
A08B-0035-J840#E	SYMBOLIC FAPT MILL	\$3,188	A08B-0037-B001	P-G HIGH SPEED ADAPTER	\$15,255
A08B-0035-J860#E	SYMBOLIC FAPT DRILL	\$3,188	A08B-0037-H621#E	FAPT TRACER II - HI SPD ADAPT	\$455
A08B-0035-J861#E	SYM FAPT DRILL STD MACRO	\$1,594	A08B-0037-H621#F	FAPT TRACER (FRENCH)	\$455
A08B-0035-J861#F	SYM FAPT DRILL STD MACRO (FR)	\$1,594	A08B-0037-J600#E	FAPT TURN	\$3,188
A08B-0035-J870#E	SF DRILL MACRO GENERATOR	\$3,188	A08B-0037-J605#E	ON-LINE FAPT TURN	\$4,781
A08B-0035-J871#E	SF DRILL MACRO SOURCE	\$1,594	A08B-0037-J610#E	FAPT C-TURN W KEY LOCK	\$11,157
A08B-0035-J901#E	FAPT CIM I ENGLISH SOFTWARE	\$3,188	A08B-0037-J620#E	FAPT CUT	\$3,188
A08B-0035-J902#E	FAPT CIM 2 ENGLISH SOFTWARE	\$8,424	A08B-0037-J630#E	FAPT LASER	\$3,188
A08B-0035-J903#E	FAPT CIM 3 ENGLISH SOFTWARE	\$8,424	A08B-0037-J640#E	FAPT MILL	\$3,188
A08B-0035-J904#E	FAPT CIM 4 ENGLISH SOFTWARE	\$8,652	A08B-0037-J641#E	220S FAPT MILL	\$3,188
A08B-0035-J911#E	FAPT DRAFT	\$3,188	A08B-0037-J642#E	FAPT HELICAL	\$7,969
A08B-0035-J920#E	FAPT GEOMETRY	\$3,188	A08B-0037-J645#E	ON-LINE FAPT MILL	\$4,781
A08B-0035-J931#E	MOLD-1-J	\$7,172	A08B-0037-J660#E	FAPT DIE-III	\$33,470
A08B-0035-J932#E	MOLD-2-J	\$7,172	A08B-0037-J662#E	FAPT CUT SURFACE	\$7,969
A08B-0035-J933#E	MOLD-3-J	\$7,172	A08B-0037-J680#E	FAPT MODEL	\$3,188
A08B-0035-J934#E	MOLD-4-J	\$7,172	A08B-0037-J700#E	FAPT PUNCH II	\$3,188
A08B-0035-K001	ACCESSORIES FOR PG MARK II	\$280	A08B-0037-J800#E	SYMBOLIC FAPT TURN	\$3,188
A08B-0036-B001	P-G MATE 100V	\$16,849	A08B-0037-J820#E	SYMBOLIC FAPT CUT	\$3,188
A08B-0036-C001	KEY BOARD UNIT, P-G MATE	\$2,846	A08B-0037-J840#E	SYMBOLIC FAPT MILL	\$3,188
A08B-0036-C002	PWA W/KEYSHEET	\$1,614	A08B-0037-J860#E	SYMBOLIC FAPT DRILL	\$3,188
A08B-0036-C036	DISK DRIVE UNIT	\$1,004	A08B-0037-J870#E	SYMBOLIC FAPT DRILL MACRO GEN	\$3,188
A08B-0036-C041	ROM ADAPTER	\$455	A08B-0037-J901#E	FAPT CIM I	\$3,415
A08B-0036-C051	EXTENDER UNIT PMC-N CASSETTE	\$683	A08B-0037-J902#E	FAPT CIM II	\$8,880
A08B-0036-H002	FLOPPY DISK DRIVE UNIT	\$1,821	A08B-0037-J903#E	FAPT CIM III	\$8,880
A08B-0036-H501	ROM UNIT	\$2,203	A08B-0037-J904#E	FAPT CIM IV	\$9,107
A08B-0036-H502	ROM UNIT	\$215	A08B-0037-J911#E	FAPT DRAFT	\$3,188
A08B-0036-H503	ROM UNIT SPEC WITH GRAPHIC BD	\$108	A08B-0037-J920#E	FAPT GEOMETRY	\$3,188
A08B-0036-H600#E	FAPT DOCTOR - ENGLISH	\$455	A08B-0037-J931#E	FAPT MOLD I	\$7,400
A08B-0036-H620#E	FAPT TRACER - ENGLISH	\$455	A08B-0037-J932#E	FAPT MOLD II	\$7,627
A08B-0036-J002	NAMEPLATE GE FANUC, PG MATE	\$1	A08B-0037-J933#E	FAPT MOLD III	\$7,627
A08B-0036-J530#E	FAPT TURN MATE	\$1,594	A08B-0037-J940#E	FAPT MOLD IV	\$7,627
A08B-0036-J531#E	FAPT CUT MATE	\$1,594	A08B-0037-J940#E	QUICK FAPT MILL	\$4,781
A08B-0036-J532#E	FAPT MILL MATE	\$1,594	A08B-0037-J940#F1	QUICK FAPT MILL (FRENCH)	\$1,594
A08B-0036-J540#E	MACRO COMPILER	\$3,188	A08B-0037-J940#F2	QUICK FAPT MILL (FRENCH)	\$1,594
A08B-0036-J541	MACRO COMPILER EXECUTOR	\$455	A08B-0037-J940#F3	QUICK FAPT MILL (FRENCH)	\$1,594
A08B-0036-J542	MACRO COM EXEC P-G MATE W/GRAP	\$455	A08B-0037-K001	CABLE KIT	\$360
A08B-0036-J543	MACRO COM. EXEC	\$455	A08B-0047-C012	HARD DISK UNIT 80MB	\$3,825
A08B-0036-J543#0A8P	GRAPHIC CONV. MACH CTR 0-MF	\$455	A08B-0047-C013	HARD DISK UNIT 320 MB	\$5,851
A08B-0036-J543#0A8Q	GRAPHIC CONV. MACH CTR 0-MF	\$455	A08B-0047-C015	HARD DISK DRIVE 40MB 3.5"	\$2,937
A08B-0036-J544	FAPT MACRO COMPILER-EXECUTOR	\$364	A08B-0047-C016	HARD DISK DRIVE 80MB 3.5"	\$3,825
A08B-0036-J544#0A8N	CONV GRAPHIC LATHE 0-TF	\$455	A08B-0047-C017	HARD DISK DRIVE 400MB 3.5"	\$7,286
A08B-0036-J546	MACRO EXECUTOR	\$455	A08B-0047-C018	HARD DISK DRIVE 670MB 5.25"	\$18,215
A08B-0036-J560#E	PMC-NA FAPT PASCAL PG MATE	\$2,286	A08B-0047-C022	FLOPPY DISK DRIVE 5.25"	\$2,165
A08B-0036-J561	PASCAL DEMO LIBRARY	\$228	A08B-0047-C031	EXTENTION ADAP	\$360
A08B-0036-J562	FAPT PASCAL PROT LIBRARY	\$3,188	A08B-0047-C041	CRT/MDI UNIT (200VAC)	\$3,153
A08B-0036-J563	PASCAL POSITION MODULE	\$6,831	A08B-0047-C051	PUNCH PNL 1M (J14)	\$228
A08B-0036-J570#E	FAPT PASCAL 8086 PG MATE REQ	\$2,286	A08B-0047-C052	PUNCH PNL 2M (J14)	\$228
A08B-0036-J591#E	FAPT LADDER (PMC I/J)	\$2,286	A08B-0047-C053	PUNCH PNL 5M (J14)	\$228
A08B-0036-J593#E	FAPT LADDER SYSTEM	\$2,286	A08B-0047-C071	STREAMER UNIT F-D MATE	\$3,848
A08B-0036-J594#E	FAPT LADDER PMC-N	\$2,286	A08B-0047-H001	CONTROL UNIT	\$1,416
A08B-0036-J595#E	FAPT LADDER PMC-PA1/PA3	\$2,286	A08B-0047-H011	F-D MATE MAIN CONTROL	\$2,778
A08B-0036-J596#E	FAPT LAD PMC-RB/RC F P-G MATE	\$2,286	A08B-0047-H021	PMC CONTROL I/O LINK (ONE)	\$1,264
A08B-0036-J611#E	FAPT C-TURN	\$10,108	A08B-0047-H022	PMC CONTROL I/O LINK (TWO)	\$1,325
A08B-0036-J720	MACRO COMPILER PG MATE	\$3,188	A08B-0047-H023	PMC CONTROL I/O LINK (NONE)	\$1,163
A08B-0036-J720#E	FAPT MACRO COMPILER I	\$3,188	A08B-0047-H050	MAIN MEMORY F-D MATE/MMC 2	\$692
A08B-0036-J721	FAPT MACRO COMPILER II	\$3,188	A08B-0047-H051	MAIN MEMORY 2MB	\$1,423
A08B-0036-J731	MACRO EXECUTOR	\$455	A08B-0047-H052	MAIN MEMORY 3MB	\$2,152
A08B-0036-J732	MACRO EXECUTOR	\$455	A08B-0047-H053	MAIN MEMORY 4MB	\$2,837
A08B-0036-J733	MACRO LIBRARY	\$455	A08B-0047-H057	MAIN MEMORY F-D MATE	\$5,647
A08B-0036-J741	FAPT MACRO COMP W/O CAP MT/MK	\$455	A08B-0047-H067	MAIN MEMORY F-D MATE	\$9,599
A08B-0036-J744	FAPT MACRO COMP W/ CAPI MT/MK	\$455	A08B-0047-H071	ROM FILE 256KB	\$442
A08B-0036-J744#BH5A	MACRO LIBRARY 18-TA CAP-I	\$455	A08B-0047-H072	F-D MATE ROM FILE 512KB	\$1,229
A08B-0036-J745	FAPT MACRO COMP W/ CAPI MT/MK	\$455	A08B-0047-H073	FS F-D MATE RAM FILE	\$2,004
A08B-0036-J745#BJ52	CAP I 18-MA W/ MACRO EXEC	\$455	A08B-0047-H081	PMC RAM BOARD	\$1,223
A08B-0036-J760#E	FAPT MACRO COMPILER	\$3,188	A08B-0047-H091	F-D MATE BATTERY UNIT	\$141
A08B-0036-J761	FAPT MACRO COMPILER W/O CAP I	\$455	A08B-0047-H621#EN03	F-D MATE SYSTEM START UP S/W	\$182
A08B-0036-J764	FAPT MACRO COMPILER WITH CAP I	\$455	A08B-0047-H622#EN11	F-D MATE UNIX O.S	\$3,415
A08B-0036-J764#BH0A	CAP I 16-TA W/ MACRO EXEC	\$455	A08B-0047-J001	FS F-D MATE GRAPHIC CONTROL	\$1,425
A08B-0036-J765	FAPT MACRO COMPILER	\$455	A08B-0047-J002	FS F-D MATE GRAPHIC CONTROL	\$1,607

RENEWAL PARTS  
PRICING

D-54



Part Number	Description	Price	Part Number	Description	Price
A08B-0047-J003	GRAPHIC CONTROL C 768+384KB	\$2,065	A08B-0051-J861#E	SYMBOLIC FAPT DRILL MAC OBJECT	\$1,594
A08B-0047-J011	DNC1 CONTROL	\$995	A08B-0051-J870#E	S/W SYMBOLIC F/DRILL MAC GEN	\$3,188
A08B-0047-J063	ROM FILE, 4MB	\$2,505	A08B-0051-J871#E	SYMBOLIC FAPT DRILL MAC SOURCE	\$1,594
A08B-0047-J071	RAM FILE MMCI 256KB	\$442	A08B-0051-J901#E	PART CIM-I	\$3,188
A08B-0047-J161	RS-232C REAR PANEL	\$103	A08B-0051-J902#E	PART CIM-II	\$8,424
A08B-0047-J709	PMC LADDER TRANSFER UTILITY	\$638	A08B-0051-J903#E	PART CIM-III	\$8,424
A08B-0047-J721#EN11	F-D MATE STANDARD S/W PAC II	\$33,697	A08B-0051-J904#E	PART CIM-IV	\$8,652
A08B-0047-J741#EN11	F-D MATE NC PROGRAM	\$3,051	A08B-0051-J911#E	PART DRAFT	\$3,188
A08B-0047-J802	SYSTEM MONITORING	\$638	A08B-0051-J920#E	FAPT GEOMETRY-II	\$4,326
A08B-0047-J803	TOOL MANAGEMENT	\$911	A08B-0051-J940#E	QUICK FAPT MILL	\$7,286
A08B-0047-J804	SYS OPER MANAGEMENT & CONTROL	\$911	A08B-0051-J940#F1	QUICK FAPT MILL-II (FRENCH)	\$2,505
A08B-0047-J900	NC PROGRAM MANAGEMENT	\$1,275	A08B-0051-J940#F2	QUICK FAPT MILL-II (FRENCH)	\$2,391
A08B-0047-J901	SCHEDULING	\$638	A08B-0051-J940#F3	QUICK FAPT MILL-II (FRENCH)	\$2,391
A08B-0047-J902	SYSTEM MONITORING	\$638	A08B-0051-K920#A4E	FAPT GEOMETRY II KB OVERLAY 2	\$121
A08B-0047-J903	TOOL MANAGEMENT	\$911	A08B-0051-K920#E	FAPT GEOMETRY II KB OVERLAY 1	\$121
A08B-0047-J904	SYS OPER MANAGEMENT AND CTRL	\$911	A08B-0052-J771#E	FAPT CAD LINK ( HS )	\$4,781
A08B-0047-K111	FUSE FOR SW DEV KEYBOARD	\$2	A08B-0056-H502	PMC-QC MANAGING S/W	\$2,209
A08B-0047-K211	SPARE CRT6/MDI MDI KEYSHEET	\$65	A08B-0057-C041	14" CRT/MDI F/MMC	\$3,643
A08B-0047-K813	CONNECTION CABLE (J11) 2M	\$142	A08B-0082-C102#C	HDD	\$888
A08B-0047-K822	CABLE KIT SIGNL/PWR 1.5M	\$134	A08B-0082-C150#EC	FA FULL KEYBOARD 5 FOR 15" LCD	\$872
A08B-0047-K826	CABLE KIT	\$140	A08B-0082-C200	PUNCH PANEL FOR PANEL I	\$275
A08B-0047-K832	CONNECTION CABLE (J13) 1.5M	\$138	A08B-0082-D001	INTELLIGENT TERM 3 10.4" COLOR	\$1,566
A08B-0047-K841	CONNECTION CABLE (J17) 5M	\$92	A08B-0082-D002	10.4" LCD W/ SOFT KEY	\$1,603
A08B-0047-K851	CONNECTION CABLE (J21) 5M	\$92	A08B-0082-D032	BASE UNIT PANEL i	\$1,603
A08B-0047-K853	CABLE (J21) 5M	\$215	A08B-0082-D033	BASE UNIT 10.4" LCD PANEL i	\$1,865
A08B-0047-K861	CABLE CRT/MDI POWER 7M	\$115	A08B-0082-D034	BASE UNIT 10.4" LCD PANEL i	\$1,913
A08B-0047-K862	CABLE CRT/MDI POWER 7M	\$195	A08B-0082-H002	MAIN MEMORY 64MB	\$519
A08B-0047-K863	CABLE CRT/MDI POWER 7M	\$319	A08B-0082-H010	CPU CARD A-10 (233-10)	\$1,917
A08B-0047-K871	CONNECTION CABLE (J23) 5M	\$109	A08B-0082-H020	CPU CARD B-10 (333-10)	\$2,641
A08B-0047-K872	CABLE (J23) 5M	\$251	A08B-0082-H500#6141	PCB, CPU F/PANEL i	\$1,280
A08B-0047-K873	CABLE (J23) 5M	\$141	A08B-0082-H510#6135	PCB, PANEL i CPU CARD FOR 10.4" LCD	\$1,769
A08B-0047-K882	CABLE FOR A08B-0047-C025 (2M)	\$135	A08B-0082-H511#6138	PCB, CPU CARD F/10.4" LCD	\$1,769
A08B-0047-K902	CONNECTION CABLE (J3 OR J4) 2M	\$31	A08B-0082-H511#6139	PCB, CPU CARD F/12.1" LCD	\$1,769
A08B-0047-K904	CONNECTION CABLE (J3 OR J4) 5M	\$43	A08B-0082-H511#6140	PCB, CPU CARD F/15.0" LCD	\$1,769
A08B-0047-K905	CABLE, CONNECTION 5M	\$64	A08B-0082-H512#613D	USE A08B-0082-H513#613M W/OUT	\$1,497
A08B-0047-K991	PCR CONN. (20 PINS) SOLDER	\$12	A08B-0082-H513#613M	PCB, CPU CELERON, 10.4" LCD	\$1,482
A08B-0047-K992	PCR CONN. (20 PINS) CRIMP	\$9	A08B-0082-H513#613N	PCB, CPU CELERON, 12.1" LCD	\$1,482
A08B-0047-K993	PCR CONN. (50 PINS) SOLDER	\$22	A08B-0082-H521#613Q	PCB, PANEL i CPU FOR 10.4" LCD	\$2,150
A08B-0047-K994	PCR CONN. (50 PINS) CRIMP	\$18	A08B-0082-H521#613R	PCB, PANEL i, CPU CARD C2 12.1"	\$2,129
A08B-0047-K995	CONNECTOR (F1) 15 PIN SOLDER	\$11	A08B-0082-H521#613S	PCB, PANEL i, CPU CARD C2 15.0"	\$2,129
A08B-0047-K996	CONNECTER (PCR 50P) FEMALE	\$28	A08B-0082-J001	PCI EXTENSION UNIT	\$52
A08B-0047-K997	CONNECTER (PCR 50P) FEMALE	\$29	A08B-0082-J005	PANEL i COVER FOR PCI EXT	\$40
A08B-0048-C025	HARD DISK DRIVE	\$2,937	A08B-0082-K020	PROTECTION SHEET 15.0" TP	\$28
A08B-0048-C052	LCD/MDI 10" HORZ (CE)	\$9,563	A08B-0082-K810	CABLE, SERIAL/USB INTERFACE	\$76
A08B-0048-C055	10" LCD/MDI, VER.	\$9,563	A08B-0082-K811	CABLE, PARALLEL INTERFACE	\$82
A08B-0048-C056	LCD/MDI 10" VERT (CE)	\$9,563	A08B-0082-K812	CABLE, MOUSE INTERFACE	\$33
A08B-0048-H051	MAIN MEMORY MMC-II 2MB	\$578	A08B-0084-C110	HDD PANEL i 40G	\$1,291
A08B-0048-H055	MAIN MEMORY MMC-II 8MB	\$3,506	A08B-0084-C120#C	HDD, FOR PANEL i 15" TOUCH 40G	\$678
A08B-0048-H074	POWER SUPPLY B1 (CE)	\$1,148	A08B-0084-C220	PCB, PANEL i CPU PENTIUM III 866MHZ	\$1,150
A08B-0048-J661	F-D MATE UNIX GRAPHIC LIBRARY	\$1,138	A08B-0084-C230	PCB, PANEL i CPU PENTIUM III 1.26GHZ	\$2,709
A08B-0048-J661#EN03	F-D MATE UNIX GRAPHIC LIBRARY	\$1,138	A08B-0084-C480	FLOPPY DISK & CD-ROM DRIVE UNIT	\$881
A08B-0048-J661#EN07	F-D MATE UNIX GRAPHIC LIBRARY	\$1,138	A08B-0084-K790	DRIVERS DISK	\$35
A08B-0048-K101	SPARE FUSE	\$4	A08B-0084-K800	CABLE FOR CD-ROM DRIVE	\$98
A08B-0051-C002	KEYBOARD UNIT	\$822	A08B-0087-J600#EN03	OPERATING SYSTEM FOR DEVELPMNT	\$4,602
A08B-0051-C010	CRT 14"	\$3,825	A08B-0087-J700#EN03	INTERFACE SYSTEM FOR DEVELPMNT	\$471
A08B-0051-C020	CRT 20"	\$6,375	A08B-0200-K101	SPARE PARTS FOR DTA, FUSE	\$3
A08B-0051-C810	ADDITIONAL RS-232C BOX	\$455	A08B-9001-J500#EN	USE A08B-9001-J500#EN07 W/OUT	\$6,831
A08B-0051-C900	FAN UNIT	\$237	A08B-9001-J500#EN03	MACRO COMPILER S161/181 (5.25" DISK)	\$6,831
A08B-0051-H501#605F	ROM UNIT SPEC WITH CPU BD	\$455	A08B-9001-J500#EN07	FAPT MACRO COMPILER 0/16/18 3.	\$6,831
A08B-0051-H502#605G	ROM UNIT SPEC WITH GRAPHIC BD	\$455	A08B-9001-J501#EN07	MACRO COMPILER, 3.5" DISKETTE	\$6,831
A08B-0051-H610#E	P-H S/W FAPT TEACHER	\$455	A08B-9001-J510#EN03	FAPT MACRO COMPILER FOR PC	\$6,831
A08B-0051-H621#E	P-H S/W FAPT TRACER II	\$455	A08B-9001-J520#EN03	FAPT MACRO COMPILER 15-TA/MA	\$6,831
A08B-0051-H621#F	FAPT TRACER-II (FRENCH)	\$455	A08B-9001-J520#EN07	FAPT MACRO COMPILER 15-TA/MA	\$6,831
A08B-0051-H630	FAPT POST	\$455	A08B-9001-J530	DNC2 LIB FOR PERSONAL COMPUTER	\$3,188
A08B-0051-J010	ADDITIONAL RS 232C CONTROL	\$2,049	A08B-9001-J540#EN03	MACRO COMPILER - MS DOS 5.25"	\$6,831
A08B-0051-J041	ETHERNET PCB FOR P-H 10BASE5	\$9,107	A08B-9001-J540#EN07	MACRO COMPILER - MS DOS 3.5"	\$6,831
A08B-0051-J042	ETHERNET PCB FOR P-H 10BASE2	\$9,107	A08B-9001-J600#ZZ03	FAPT MACRO EXECUTOR	\$1,138
A08B-0051-J510#E	FAPT DIGITIZER	\$3,188	A08B-9001-J600#ZZ07	FAPT MACRO EXECUTOR 3.5"	\$1,138
A08B-0051-J600#E	FAPT TURN	\$3,188	A08B-9001-J601#ZZ03	MACRO LIBRARY FOR PC	\$1,138
A08B-0051-J610#E	S/W FAPT C-TURN	\$11,157	A08B-9001-J602#ZZ03	MACRO LIBRARY FOR PC	\$1,138
A08B-0051-J620#E	FAPT CUT	\$3,188	A08B-9001-J603#ZZ03	MACRO LIBRARY FOR PC, SO	\$1,138
A08B-0051-J640#E	S/W FAPT MILL	\$3,188	A08B-9001-J603#ZZ07	MACRO LIB FOR PC (3.5"), SO	\$1,138
A08B-0051-J646#E1	FAPT MILL-II SYSTEM VOL. 1	\$2,163	A08B-9001-J610#ZZ03	FAPT MACRO COMPILER W/O CAP I	\$1,138
A08B-0051-J646#E2	FAPT MILL-II SYSTEM VOL. 2	\$2,163	A08B-9001-J610#ZZ07	FAPT MACRO EXECUTOR S16 3.5"	\$1,138
A08B-0051-J660#E	FAPT DIE-III	\$31,876	A08B-9001-J611#ZZ03	MACRO EXECUTOR W CAP 1 16-MA	\$1,138
A08B-0051-J662#E	FAPT CUT SURFACE	\$7,969	A08B-9001-J612#ZZ03	MACRO EXECUTOR W CAP 1 16-TA	\$1,138
A08B-0051-J680#E	FAPT MODEL SOFTWARE	\$7,286	A08B-9001-J613#ZZ03	FAPT MACRO COMPILER 5.25"	\$1,138
A08B-0051-J710#E	FAPT TURNING CENTER	\$22,768	A08B-9001-J620#ZZ03	FAPT MACRO EXECUTOR	\$1,138
A08B-0051-J750	FLEX OS	\$1,935	A08B-9001-J620#ZZ07	FAPT MACRO EXECUTOR 15-MA/TA	\$1,138
A08B-0051-J771#E	FAPT CAD LINK	\$4,781	A08B-9001-J621	MACRO EXECUTOR S-16TA	\$1,138
A08B-0051-J800#E	SYMBOLIC FAPT TURN	\$3,188	A08B-9001-J621#CVRM	MACRO EXEC S-CAP 16-T VER 1	\$1
A08B-0051-J820#E	SYMBOLIC FAPT CUT	\$3,188	A08B-9001-J621#ZZ03	MACRO COMP SUPER CAP T VER 1	\$1,138
A08B-0051-J840#E	SYMBOLIC FAPT MILL	\$3,188	A08B-9001-J621#ZZ07	MACRO EXEC S-CAP 16-T VER 1	\$1,138
A08B-0051-J860#E	SYMBOLIC FAPT DRILL	\$3,188	A08B-9001-J622	MACRO EXECUTOR S-16TA	\$1,138





# A08B-9001-J622#ZZ03

Part Number	Description	Price	Part Number	Description	Price
A08B-9001-J622#ZZ03	MACRO COMP - SUPER CAP T VER 1	\$1,138	A08B-9001-J680#ZZ07	MACRO LIBRARY W/SUPERCAP (PC)	\$1,138
A08B-9001-J622#ZZ07	MACRO COMP - SUPER CAP T VER 1	\$1,138	A08B-9001-J681#ZZ03	MACRO LIBRARY W/ SUPER CAP 5.2	\$1,138
A08B-9001-J623	MACRO EXECUTOR S-18TA	\$1,138	A08B-9001-J681#ZZ07	MACRO LIBRARY W/SUPERCAP (PC)	\$1,138
A08B-9001-J623#ZZ03	MACRO COMP W/ SUPERCAP T VER 1	\$1,138	A08B-9001-J682#ZZ03	MACRO LIBRARY W/SUPERCAP	\$1,138
A08B-9001-J623#ZZ07	MACRO EXEC S-CAP 18-T VER 1	\$1,138	A08B-9001-J684#ZZ07	MACRO LIB W/SUPER CAP T FOR PC	\$1,138
A08B-9001-J624	MACRO EXECUTOR S-18TTA	\$1,138	A08B-9001-J685#ZZ07	MACRO LIB W/SUPER CAP T FOR PC	\$1,138
A08B-9001-J624#ZZ03	MACRO EXEC SUPER-CAP 18-TTA	\$1,138	A08B-9001-J690	MACRO LIBRARY 20-MA	\$1,138
A08B-9001-J624#ZZ07	MACRO EXEC S-CAP 18-TT 5.25"	\$1,138	A08B-9001-J690#ZZ03	S21-MB MACRO LIBRARY (FOR PC)	\$1,138
A08B-9001-J625#ZZ03	FAPT MACRO EXECUTOR 5.25"	\$1,138	A08B-9001-J690#ZZ07	MACRO LIBRARY 20-MA	\$1,138
A08B-9001-J625#ZZ07	FAPT MACRO EXECUTOR W/O CAP	\$1,138	A08B-9001-J700#EN07	C-LANGUAGE LIBRARY	\$1,138
A08B-9001-J626#CVRM	16-TA Super CAP 2	\$572	A08B-9001-J700#ZZ03	C LANGUAGE LIBRARY	\$1,138
A08B-9001-J626#ZZ03	MACRO COMP - SUPER CAP T VER 2	\$1,138	A08B-9001-J701#ZZ07	PMC RC C-LANGUAGE LIBRARY	\$1,252
A08B-9001-J627#ZZ03	MACRO COMP - SUPER CAP T VER 2	\$1,138	A08B-9001-J711#ZZ03	MACRO LIB CAP1 18-TB	\$1,138
A08B-9001-J627#ZZ07	MACRO COMP - SUPER CAP T VER 2	\$1,138	A08B-9001-J711#ZZ07	CAP I FOR 18-TB MACRO LIBRARY	\$1,138
A08B-9001-J628#CVRM	18-TA Super CAP 2	\$1	A08B-9001-J716#ZZ07	MACRO LIBRARY W/ CAP I	\$1,138
A08B-9001-J628#ZZ03	MACRO COMP W/ SUPERCAP T VER 2	\$1,138	A08B-9001-J717#ZZ07	MACRO LIB W/CAP I FOR PC	\$1,138
A08B-9001-J628#ZZ07	MACRO COMP W/SUPERCAP T VER 2	\$911	A08B-9001-J718#ZZ07	MACRO LIBRARY W/CAP I FOR PC	\$455
A08B-9001-J629#CVRM	18-TTA Super CAP 2	\$572	A08B-9001-J719#ZZ07	MACRO LIB WITH CAP I FOR PC	\$1,138
A08B-9001-J629#ZZ03	MACRO COMPILER W/SUPER CAP T	\$1,138	A08B-9001-J721	PM-H API LIBR FOR HSSB,16-bit(pre-WIN98)	\$683
A08B-9001-J629#ZZ07	MACRO COMPILER W/SUPER CAP T	\$1,138	A08B-9001-J721#ZZ07	APPLICATION I/F LIBRARY PM-H	\$683
A08B-9001-J630	FAPT MACRO COMP (MACRO EX)	\$1,138	A08B-9001-J722	PM-H BOP FOR WIN 3.1, 16 BIT	\$4,554
A08B-9001-J630#CVRM	SUPERCAP-M/MACRO-EX	\$1	A08B-9001-J722#ZZ07	BOP FOR WIN3.1 PM-H	\$5,610
A08B-9001-J630#ZZ03	MACRO COMP PC S CAP M	\$1,138	A08B-9001-J730#ZZ07	MACRO LIB W/SUPER CAP II T (PC)	\$1,138
A08B-9001-J630#ZZ07	FAPT MACRO COMP 3.5"	\$1,138	A08B-9001-J731#ZZ07	MACRO LIB W/SUPER CAP II T (PC)	\$1,138
A08B-9001-J631#ZZ03	MACRO COMP PC S CAP M C LANG	\$1,138	A08B-9001-J732#ZZ07	MACRO LIB WITH SUPER CAP T, PC	\$1,138
A08B-9001-J631#ZZ07	MACRO COMP PC S CAP M C LANG	\$1,138	A08B-9001-J733#ZZ07	MACRO LIB WITH SUPER CAP T, PC	\$1,138
A08B-9001-J632#ZZ03	MACRO LIBRARY	\$1,138	A08B-9001-J734#ZZ07	MACRO LIB W/SUPER CAP II T, PC	\$1,138
A08B-9001-J632#ZZ07	MACRO LIBRARY 3.5"	\$1,138	A08B-9001-J735#ZZ07	MACRO LIB W/SUPER CAP II T, PC	\$1,138
A08B-9001-J633#ZZ03	MACRO EXECUTOR	\$455	A08B-9001-J736#ZZ07	MACRO LIB WITH CAP I FOR PC	\$1,138
A08B-9001-J633#ZZ07	MACRO EXECUTOR	\$455	A08B-9001-J755#ZZ03	MACRO LIBRARY S20-FA	\$1,138
A08B-9001-J634#ZZ03	SUPER CAP T 16-TA	\$1,138	A08B-9001-J756#ZZ03	MACRO LIBRARY S20-TA	\$1,138
A08B-9001-J635#ZZ03	SUPER CAP T 16-TTA	\$1,138	A08B-9001-J760#ZZ07	MACRO LIB W/O CAP FOR PC	\$1,138
A08B-9001-J636#CVRM	SUPER CAP T	\$1,384	A08B-9001-J761#ZZ07	MACRO LIBRARY W/O CAP FOR PC	\$1,138
A08B-9001-J636#ZZ03	SUPER CAP T 18-TA	\$1,138	A08B-9001-J764	MACRO LIBRARY SERIES OI	\$1,093
A08B-9001-J637#ZZ03	SUPER CAP T 18-TTA	\$1,138	A08B-9001-J765#ZZ07	MACRO LIBRARY - NO CAP	\$1,138
A08B-9001-J638	MACRO LIBRARY FUNCTION	\$1,138	A08B-9001-J769#ZZ07	MACRO LIB W/O CAP FOR PC	\$1,138
A08B-9001-J638#ZZ03	FAPT MACRO EXEC P MATE D 5.25"	\$1,138	A08B-9001-J770#ZZ07	MACRO LIBRARY - MACHINE GUIDANCE	\$1,138
A08B-9001-J638#ZZ07	FAPT MACRO EXEC P MATE D 3.5"	\$1,138	A08B-9001-J771#ZZ07	MACRO LIB MANUAL GUIDE W/O CST	\$1,138
A08B-9001-J639#ZZ03	FAPT MACRO EXEC 21-TB	\$1,366	A08B-9001-J773#ZZ07	MACRO LIB OBJ (CUSTOMIZE MANUAL GUIDE)	\$1,138
A08B-9001-J639#ZZ07	FAPT MACRO EXEC 21-TB	\$1,366	A08B-9001-J777#ZZ07	MACRO LIB OBJ MANUAL GUIDE T/Mono LCD	\$1,138
A08B-9001-J640#ZZ03	MACRO EXECUTOR 15-B 5.25"	\$1,138	A08B-9001-J782#ZZ07	MACRO LIB SUPER CAP I-T 1-PATH	\$1,138
A08B-9001-J640#ZZ07	MACRO EXECUTOR 15-B 3.5"	\$1,138	A08B-9001-J786#ZZ07	MACRO LIBRARY (W/ SUPER CAPI T PATH	\$1,138
A08B-9001-J641#ZZ07	C-LANG LIBRARY FOR C-LANG EXECUTOR	\$1,138	A08B-9001-J790#ZZ07	MACRO LIBRARY PMI-D 1-PATH	\$1,138
A08B-9001-J650#ZZ03	MACRO LIBRARY	\$1,138	A08B-9001-J792#ZZ07	MACRO LIBRARY PMI-H	\$1,138
A08B-9001-J650#ZZ07	FAPT MACRO EXEC PWR MATE H	\$1,138	A08B-9001-J801#ZZ07	MACRO LIBRARY FOR MANUAL GUIDE	\$1,366
A08B-9001-J651#EN07	C LANG LIB FOR PC (3.5"), PM-H	\$911	A08B-9001-J802#ZZ07	MACRO LIBRARY, MANUAL GUIDE, OBJ CO	\$1,416
A08B-9001-J655	DPL/MDI OPERATION PACKAGE	\$455	A08B-9001-J803#EN07	MACRO LIBRARY (SUPER CAP I M FOR 16	\$1,138
A08B-9001-J655#ZZ03	DPL/MDI OPERATION PACKAGE	\$455	A08B-9001-J804#EN07	MACRO LIBRARY SRC (MANUAL GUIDE FOR	\$1,366
A08B-9001-J660#CVRM	18-MA Super CAP M	\$677	A08B-9001-J805#EN07	use A08B-9001-J805#ZZ07	\$1,366
A08B-9001-J660#ZZ03	FAPT MACRO COMP W/ SUPERCAP M	\$1,138	A08B-9001-J809#ZZ07	MACRO LIB OBJ MANUAL GUIDE M/Mono LCD	\$1,366
A08B-9001-J660#ZZ07	FAPT MACRO COMP W/ SUPERCAP M	\$1,138	A08B-9001-J830#ZZ07	Macro Library (without CAP for 16i-B)	\$1,416
A08B-9001-J661#CVPC	PC CARD, SUPERCAP-M COMPILED	\$1,431	A08B-9001-J831#ZZ07	Macro Library (without CAP for 18i-B)	\$1,416
A08B-9001-J661#ZZ03	MACRO LIBRARY W/SUPER CAP (PC)	\$1,138	A08B-9001-J832#ZZ07	Macro Library (without CAP for 21i-B)	\$1,138
A08B-9001-J661#ZZ07	MACRO LIBRARY W/SUPER CAP (PC)	\$1,138	A08B-9001-J851#ZZ07	MACRO LIB OBJ MANUAL GUIDE OI / OI-MA	\$1,366
A08B-9001-J662#ZZ03	MACRO LIBRARY W/SUPER CAP (PC)	\$1,252	A08B-9001-J854#ZZ07	MACRO LIB OBJ MANUAL GUIDE OI / OI-MB	\$1,366
A08B-9001-J662#ZZ07	MACRO LIB WITH SUPER CAP M, PC	\$1,252	A08B-9001-J856#ZZ07	MACRO LIB OBJ MANUAL GUIDE OI / OI-TA	\$1,366
A08B-9001-J663#ZZ03	C LANGUAGE LIBRARY	\$1,138	A08B-9001-J859#ZZ07	MACRO LIB OBJ MANUAL GUIDE OI / OI-TB	\$1,366
A08B-9001-J663#ZZ07	C LANGUAGE LIBRARY	\$1,138	A08B-9001-J860#ZZ07	MACRO LIBRARIES (FSOI-B)	\$1,366
A08B-9001-J666#ZZ03	MACRO LIB W/SUPER CAP	\$1,138	A08B-9001-J909#ZZ07	POWER MATE CNC MANAGER FOR PC	\$34
A08B-9001-J667#ZZ03	MACRO LIBRARY W/SUPER CAP II M	\$1,138	A08B-9010-J501#EN07	REMOTE DIAGNOSTIC SOFTWARE	\$4,554
A08B-9001-J668#CVPC	PC CARD, SUPERCAP-M COMPILED	\$1,431	A08B-9010-J512#ZZ07	FAPT PICTURE (WINDOWS)	\$1,416
A08B-9001-J668#ZZ03	MACRO LIBRARY W/SUPER CAP M	\$911	A08B-9010-J515#ZZ07	GUIDANCE TABLE	\$455
A08B-9001-J668#ZZ07	MACRO LIB WITH SUPER CAP M, PC	\$1,138	A08B-9010-J520#ZZ07	TOOL MGMT FUNCTION DISPLAY LIBRARY	\$68
A08B-9001-J669#CVPC	PC CARD, SUPERCAP-M COMPILED	\$1,431	A08B-9010-J900	SERVO GUIDE (i-TUNE) S/W TOOL (CD)	\$1,699
A08B-9001-J669#ZZ03	MACRO LIBRARY W/SUPER CAP II M	\$911	A08B-9100-J500	MMC-III LIBRARY FOR PC 5.25"	\$1,138
A08B-9001-J669#ZZ07	MACRO LIB W/SUPER CAP II M, PC	\$1,138	A08B-9100-J501	MMC-III LIBRARY FOR PC 3.5"	\$1,138
A08B-9001-J670	MACRO EXECUTOR	\$1,138	A08B-9100-J502	MMC-III LIBRARY FOR MMC 5.25"	\$1,138
A08B-9001-J670#ZZ07	MACRO EXECUTOR	\$1,138	A08B-9100-J503	MMC-III LIBRARY FOR MMC 3.5"	\$1,138
A08B-9001-J671	MACRO EXECUTOR	\$1,138	A08B-9110-J555#EN07	SYMBOLIC CAP T C/Y AXIS MOD V1	\$75
A08B-9001-J671#ZZ07	MACRO EXECUTOR	\$1,138	A08B-9200-J500#EN	FAPT LADDER - IBM-PC/AT 5.25"	\$4,781
A08B-9001-J672	MACRO EXECUTOR	\$1,138	A08B-9200-J710#ZZ03	FAPT PICTURE 5.25"	\$228
A08B-9001-J672#ZZ07	MACRO EXECUTOR	\$1,138	A08B-9200-J710#ZZ07	FAPT PICTURE 3.5"	\$228
A08B-9001-J673	MACRO EXECUTOR	\$1,138	A08B-9200-J712#ZZ03	FAPT PICT DRIVER MMC-III 5.25"	\$228
A08B-9001-J673#ZZ07	MACRO EXECUTOR	\$1,138	A08B-9200-J712#ZZ07	FAPT PICT DRIVER MMC-III 3.5"	\$228
A08B-9001-J675	MACRO COMPILER	\$1,138	A08B-9201-J500#EN	FAPT LADDER PMC-L/M/P 5.25"	\$4,781
A08B-9001-J675#ZZ07	MACRO COMPILER 3.5"	\$1,138	A08B-9201-J500#EN07	FAPT LADDER PMC-L/M/P 3.5"	\$4,781
A08B-9001-J676	MACRO COMPILER W/ GUIDANCE PR	\$1,138	A08B-9201-J501#EN	FAPT LADDER PMC-NA 5.25"	\$5,237
A08B-9001-J676#ZZ07	MACRO COMPILER W/ GUIDANCE PR	\$1,138	A08B-9201-J501#EN07	FAPT LADDER PMC-NA 3.5"	\$5,237
A08B-9001-J677	MACRO COMPILER W/ MACRO EX B	\$1,138	A08B-9201-J502#EN	LAPT LADDER PMC-RA1/RA2/RB/RC	\$5,237
A08B-9001-J677#ZZ07	MACRO COMPILER W/ MACRO EX B	\$1,138	A08B-9201-J502#EN07	FAPT LADDER PMC-SA1/SA2/SB/RC	\$5,237
A08B-9001-J678	MACRO COMP W/ GUIDANCE & EX B	\$1,138	A08B-9201-J504	DEV TOOLKIT PMC-L/M SO	\$1,138
A08B-9001-J678#ZZ07	MACRO COMP W/ GUIDANCE & EX B	\$1,138	A08B-9201-J504#EN	FAPT LADDER FOR PMC L/M (3.5")	\$1,138
A08B-9001-J680#CVPC	16-TB S-CAP PKG AS MEM FILE	\$1,431	A08B-9201-J504#EN07	FAPT LADDER FOR PMC L/M (3.5")	\$1,138
A08B-9001-J680#ZZ03	MACRO LIBRARY W/ SUPER CAP 5.2	\$1,138	A08B-9201-J510	HSSB LADDER EDITING SOFTWARE	\$1,708

RENEWAL PARTS  
PRICING

D-56



Part Number	Description	Price	Part Number	Description	Price
A08B-9201-J600#EN	FAPT LADDER PMC-L MODULE	\$455	A13B-0057-C001	CRT UNIT	\$767
A08B-9201-J600#EN07	FAPT LADDER PMC-L MODULE 3.5"	\$455	A13B-0057-C010	CRT	\$838
A08B-9201-J601#EN	FAPT LADDER PMC-M MODULE	\$455	A13B-0070-B001	TAPE READER W/O REELS	\$1,931
A08B-9201-J601#EN07	FAPT LADDER PMC-M MODULE 3.5	\$455	A13B-0070-C001	TAPE READER W/O REELS	\$1,853
A08B-9201-J602#EN07	FAPT LADDER PMC-M/MMC 3.5"	\$455	A13B-0072-C001	TAPE READER W/O REELS	\$2,152
A08B-9201-J603#EN	FAPT LADDER RA1/RA2/PA1/PA2 MO	\$455	A13B-0073-B001	SEP TAPE RDR W/O RLS	\$1,828
A08B-9201-J603#EN03	FAPT LADDER PMC-RA1/RA2 MODL	\$622	A13B-0073-C001	RS 232C INTERFACE	\$2,020
A08B-9201-J603#EN07	FAPT LADDER PMC-SA1/SA2 3.5"	\$455	A13B-0073-C003	ADAPTER RS-232-C	\$1,125
A08B-9201-J604#EN	FAPT LADDER RB/RC MODULE	\$455	A13B-0074-B001	PORT TAPE RDR W/O RLS	\$3,046
A08B-9201-J604#EN03	FAPT LADDER PMC-RB/RC MODULE	\$455	A13B-0080-B001	SEP RDR W/RLS, BODY	\$3,354
A08B-9201-J604#EN07	FAPT LADR PMC-RB/RB2/RC 3.5"	\$455	A13B-0080-H017	TAPE READER WITH REELS	\$4,756
A08B-9201-J605#EN	FAPT LADDER PMC-QC MODULE	\$455	A13B-0087-B001	PORT TAPE RDR W/ REELS	\$5,717
A08B-9201-J605#EN07	FAPT LADDER PMC-QC MODULE	\$455	A13B-0098-K840	CABLE - 1 METER	\$114
A08B-9201-J606#EN	FAPT LADDER PMC-NB MODULE	\$455	A13B-0100-B001	CASST ADAPTER 1	\$4,460
A08B-9201-J606#EN07	FAPT LADDER PMC-NB MODULE	\$455	A13B-0101-B001	CASSETTE ADAPTER 1	\$4,460
A08B-9201-J700	C LANGUAGE LIBRARY PMC-N (IBM)	\$1,252	A13B-0110-B001	TAPE READER W REELS (100V)	\$6,056
A08B-9201-J700#CV03	C LANGUAGE LIBRARY PMC-N 5.25	\$1,252	A13B-0115-B001	FANUC SELECTOR 1	\$9,563
A08B-9201-J700#CV07	C LANGUAGE LIBRARY PMC-N 3.5"	\$1,002	A13B-0115-B002	SELECTOR 2	\$6,375
A08B-9201-J701	C LANGUAGE LIBRARY 5.25"	\$1,252	A13B-0117-B003	PORTABLE PUNCH-READER 100V FCC	\$7,851
A08B-9201-J701#EN07	PMC-RC C LANGUAGE LIBRARY 3.5"	\$1,252	A13B-0117-B004	PORTABLE PUNCH-READER 200V FCC	\$7,851
A08B-9201-J701#ZZ07	PMC SC C-LANGUAGE LIBRARY	\$1,252	A13B-0117-C001	PPR SWITCH UNIT	\$210
A08B-9201-J702	PMC-C LIBRARY FOR PMC-QC	\$1,252	A13B-0117-J001	NAMEPLATE GE FANUC 14"	\$1
A08B-9201-J702#ZZ07	PMC-C LIBRARY FOR PMC-QC	\$1,252	A13B-0120-H001	BUBBLE DUPLICATOR	\$1,421
A08B-9201-J703	PMC-C LIBRARY FOR PMC-NB	\$1,252	A13B-0126-B001	USE A13B-0126-B002 WHEN OUT	\$3,802
A08B-9201-J703#ZZ07	PMC-C LIBRARY FOR PMC-NB	\$1,252	A13B-0126-B001#MOD1	FANUC PC WRITER UPGRADE KIT	\$1,435
A08B-9201-J705#EN	FAPT PICTURE 5.25"	\$4,554	A13B-0126-B002	PMC WRITER & SOCKET ADAPTER	\$3,802
A08B-9201-J705#EN07	FAPT PICTURE 3.5"	\$4,554	A13B-0126-C003	SOCKET BOARD	\$1,541
A08B-9201-J706	FAPT PICTURE DRIVER 5.25"	\$1,138	A13B-0126-C005	ROM FILE ADAPT	\$275
A08B-9201-J706#ZZ07	FAPT PICTURE DRIVER 3.5"	\$1,138	A13B-0126-J002	ROM FILE ADAPTER	\$599
A08B-9201-J707	FAPT PICTURE MMC-I DRIVER	\$1,138	A13B-0128-B011	PROGRAM FILE	\$22,154
A08B-9201-J708	FAPT PICTURE DRV MMC-2/FD-MATE	\$1,138	A13B-0128-K801	NC INTERFACE CABLE	\$232
A08B-9201-J709	FAPT PICTURE DRIVER PMC-SC	\$1,138	A13B-0128-K802	NC INTERFACE CABLE 2	\$326
A08B-9201-J711	FAPT PICTURE LIBRARY	\$1,138	A13B-0129-C039	TERMINAL BOARD	\$1,097
A08B-9201-J715	C COMPILER	\$2,277	A13B-0129-C043	JUNCTION BOX	\$1,423
A08B-9201-J716	C LINKER	\$2,277	A13B-0131-B001	CASSETTE ADAPTER 3	\$3,144
A08B-9201-J800	LOAD MONITORING LIBRARY 15-M,T	\$11,384	A13B-0136-B001	REMOTE TAPE RDR W REELS (100V)	\$4,098
A08B-9201-J801	LOAD MONITORING LIBRARY 15-TT	\$11,384	A13B-0138-B001	SELECTOR 5	\$7,286
A08B-9201-J802	LOAD MONITORING LIB PMC-RC T/M	\$11,384	A13B-0139-C391	OPERATORS PANEL	\$2,033
A08B-9201-J803	LOAD MONITORING LIB PMC-RC TT	\$11,384	A13B-0139-C392	OPERATORS PANEL	\$1,541
A08B-9201-J810	TOOL MGMT LIBRARY PMC-N	\$5,692	A13B-0139-C410	ON / OFF METER PANEL	\$658
A08B-9201-J811	TOOL MANAGEMENT FOR PMC RC	\$5,692	A13B-0139-C566	OPERATION UNIT	\$558
A08B-9210-J505	FAPT LADDER III (WINDOWS)	\$2,266	A13B-0139-D561	CABLE	\$1,603
A08B-9210-J506	FANUC LADDER-III UPGRADE FOR -J505	\$228	A13B-0139-H540	POWER CASE	\$12,864
A08B-9210-J511	LADDER EDITING PACKAGE (WINDOWS)	\$131	A13B-0139-J561	OPERATOR PANEL, METRIC	\$5,214
A08B-9308-J550	FANUC CAD DIE	\$56,807	A13B-0139-J562	OPE PANEL, INCH	\$5,214
A08B-9310-J550#EN07	SYMBOLIC CAP T	\$4,326	A13B-0139-J563	4TH AXIS ROTARY WORK HEAD	\$2,347
A08B-9310-J555#EN07	MACRO LIB - SYM CAP T C/Y-AXIS	\$2,550	A13B-0139-J564	4AX AX HELCL WORK UNT	\$2,347
A08B-9310-J800#EN07	FAPT CUT FOR IBM PC	\$5,578	A13B-0139-J565	CHIP CONVEYER 100W	\$148
A08B-9400-J503	R-J DATA TRANSFER HOST	\$1,434	A13B-0139-J566	SPRIAL CHIP CONVEYOR	\$148
A08B-9400-J504	R-J MATE DATA TRANSFER HOST	\$1,434	A13B-0139-J567	SPNDL THRU COOLANT	\$212
A08B-9401-J502	R-J ASCII PROGRAM TRANSLATOR	\$1,148	A13B-0139-J568	TOOL THRU COOLANT	\$139
A08B-9510-J510#EN07	FA LIBRARY SOFTWARE	\$1,366	A13B-0139-J569	CHIP CLEAN COOLANT	\$139
A08B-9510-J511#EN07	FA SYSTEM FOR PC (WINDOWS NT)	\$2,277	A13B-0139-J570	OIL SKIMMER	\$139
A08B-9510-J520#EN07	FACTOLINK LIBRARY (WINDOWS NT)	\$2,391	A13B-0139-J571	SCALE FEEDBACK	\$82
A08B-9510-J920#EN	FANUC I CELL	\$2,732	A13B-0139-J572	AIRBLOW/MIST COOLANT	\$82
A08B-9510-J940	I CELL ADDITIONAL 5 CNC CONN OPT	\$1,138	A13B-0139-J573	TAP OIL MIST	\$93
A08B-9510-J941	I CELL ADDITIONAL 10 CNC CONN OPT	\$2,277	A13B-0139-J574	TAP OIL JET	\$93
A08B-9510-J942	I CELL ADDITIONAL 15 CNC CONN OPT	\$3,415	A13B-0139-J575	SPNDL RUN HR	\$189
A08B-9601-J500#EN03	OSI SOFTWARE FOR IBM-PC	\$228	A13B-0139-J576	SPINDLE RUN H/W RST	\$189
A08B-9601-J510#EN03	OSI STACK	\$228	A13B-0139-J577	MACH RUN HR	\$141
A-1007-0058	REN - MCG ARM ASSY L75	\$752	A13B-0139-J578	AUTO MEASURING	\$1,382
A-1016-6374	REN - 10.5 MTR IMM CABLE EXTENSION	\$24	A13B-0139-J581	MACHINE LIGHT	\$48
A-1016-6375	REN - IMM EXT CABLE 20.5M	\$80	A13B-0139-J582	FINISH LIGHT	\$48
A-1016-6420	REN - PL3 MODIFIED SPIN-SPIN MOLDED	\$142	A13B-0139-J583	PLAYBACK	\$48
A-1016-6451	REN - CABLE 20" COILED W/LEMO	\$47	A13B-0139-J584	HANDLE INTERRUPT	\$34
A-1016-6606	REN - MP11 CABLE KIT W/CONNECTORS	\$399	A13B-0139-J585	AC LINE FILTER	\$195
A-1016-6622	REN - MP11 CABLE (CHIRON)	\$417	A13B-0139-J586	AC LINE FILTER / 4 AXES	\$195
A-1016-6816	REN - 15-WAY CABLE A-1016-6816 (CM)	\$25	A13B-0139-J587	SPEED METER 5000 RPM	\$303
A-1025-1010	REN - MALE A/JOINT ADAPTOR ASSY	\$800	A13B-0139-J588	SPEED METER 3500RPM	\$303
A13B-0139-J572	AIRBLOW/MIST COOLANT	\$118	A13B-0139-J589	SPEED METER 7000RPM	\$303
A13B-0031-K801	CABLE PUNCH PNL TO FILE MEM C	\$754	A13B-0139-J650	HOUR METER MTG PNL KIT	\$83
A13B-0031-K802	CABLE PUNCH PANEL 14M	\$754	A13B-0139-J651	HO HR METER MTG KIT	\$83
A13B-0040-J785	USER I/O INTERFACE	\$1,330	A13B-0139-J790	ADDITION OF 5TH AXIS	\$2,414
A13B-0040-J786	ADDITIONAL TRANSFORMER	\$587	A13B-0139-J811	RIGID TAPPING CONV CIRCUIT	\$603
A13B-0040-J787	CABINET LIGHTING	\$367	A13B-0139-J818	OPTION	\$1,592
A13B-0040-J789	HOUR METER	\$1,011	A13B-0139-J850	ROTARY TOOL ADDITION	\$239
A13B-0040-J851	SPLASH GUARD LIGHTING	\$36	A13B-0139-J853	I/O B2 ADDITION	\$644
A13B-0040-J852	WARNING LIGHT	\$106	A13B-0139-J855	TORQUE LIMIT	\$3,814
A13B-0040-J855	SPLASH GUARD	\$152	A13B-0139-J856	TORQUE LIMIT	\$1,060
A13B-0040-J856	DOOR ENCLOSURE INTERLOCK	\$166	A13B-0139-J857	TORQUE LIMIT W/RELAY,WIRE,CAP	\$3,814
A13B-0040-J864	99-120-200 TOOL BASE	\$9,597	A13B-0139-J980	PALLET CHANGER	\$1,931
A13B-0040-J864-K1	CABLE	\$214	A13B-0139-K540	DISCONNECT	\$360
A13B-0040-J870	ANALOG INPUT AD04A #0 #1 S6	\$1,838	A13B-0139-K541	DISCONNECT 460V	\$378
A13B-0056-C001	CRT UNIT	\$911	A13B-0139-K542	CIRCUIT BREAKER F/O-TB TURNKEY	\$813





# A13B-0140-J310

Part Number	Description	Price	Part Number	Description	Price
A13B-0140-J310	RELAY MODULE TYPE TA	\$273	A13B-0178-B021	INT TERM UNIT - NO SOFTKEY	\$4,622
A13B-0140-J320	RELAY MODULE TYPE TB-1	\$253	A13B-0178-B022	INT TERM UNIT - WITH SOFTKEY	\$4,736
A13B-0140-J330	RELAY MODULE TYPE TA-2	\$250	A13B-0178-B023	INT TERM UNIT - W/ TOUCH PANEL	\$5,351
A13B-0140-J340	RELAY MODULE TYPE TA	\$260	A13B-0178-C032	USE A13B-0178-C034#A WHEN OUT	\$1,960
A13B-0140-J410	TERMINAL MODULE TYPE T1	\$131	A13B-0178-C034#A	HDD 4.0GB INTEL TERMINAL	\$1,828
A13B-0140-J420	TERMINAL MODULE TYPE T2	\$112	A13B-0178-H001	INT. TERM - 486DX4, 8MB	\$1,851
A13B-0140-J430	TERMINAL MODULE TYPE T3	\$125	A13B-0178-H002	INT. TERM - 486DX4, 16MB	\$2,514
A13B-0140-J440	TERMINAL MODULE TYPE T4	\$112	A13B-0178-H003	INT. TERM - 486DX4, 24MB	\$2,623
A13B-0142-B004	INPUT UNIT	\$1,485	A13B-0178-H011	CPU CARD PA 16MB DRAM INT TERM	\$2,869
A13B-0142-B006	INPUT UNIT	\$2,664	A13B-0178-H012	CPU CARD PB 32MB DRAM INT TERM	\$3,210
A13B-0144-B003	FACTORY TERMINAL 100VAC/200VAC	\$4,622	A13B-0178-H013	CPU CARD PB 64MB DRAM IT	\$3,871
A13B-0144-K001	CONNECTION CABLE 3M	\$342	A13B-0178-H030	810MB HARD DISK DRIVE INT TERM	\$1,500
A13B-0144-K011	FACTORY TERM 100VAC P/S CABLE	\$18	A13B-0178-H040	INT. TERM - 2 ISA SLOTS	\$383
A13B-0144-K012	FACTORY TERM 200VAC P/S CABLE	\$32	A13B-0178-H049	INT. TERM - NO ISA SLOTS	\$13
A13B-0144-K801	CABLE, CONNECTION 3M	\$219	A13B-0178-J010	NAME PLATE	\$1
A13B-0144-K811	PWR SUPPLY CABLE 100 VAC	\$20	A13B-0178-J020	GE FANUC NAMEPLATE	\$1
A13B-0144-K812	PWR SUPPLY CABLE 200 VAC	\$35	A13B-0178-K001	FAN FOR HDD UNIT	\$28
A13B-0145-B001	SELECTOR	\$797	A13B-0180-B001	SPINDLE SIGNAL DIVIDER	\$91
A13B-0146-B002	PROG FILE MATE ASM 20MB AC200V	\$5,715	A13B-0193-B004	Use A08B-0082-B004	\$4,076
A13B-0146-B011	USE A13B-0146-B021 WHEN OUT	\$8,424	A13L-0152-0001#G100	CURSOR FOR A4 TABLET	\$220
A13B-0146-B012	PROG FILE MATE ASM 40MB AC200V	\$8,424	A13P-0144-B003#A	FACTORY TERMINAL SPARE PARTS	\$422
A13B-0146-B021	PROGRAM FILE MATE 100MB 100V	\$5,715	A14B-0061-B001	POWER SUPPLY	\$1,582
A13B-0146-B022	PROGRAM FILE MATE 100MB 200V	\$5,715	A14B-0061-B002	POWER SUPPLY	\$1,302
A13B-0146-C001	HI-DENSITY DISK DRIVE ASM 20MB	\$4,599	A14B-0061-B102	INPUT INPUT	\$599
A13B-0146-C011	HI-DENSITY DISK DRIVE 40MB	\$5,168	A14B-0061-B103	INPUT UNIT	\$599
A13B-0146-K801	READER/PUNCH INTERFACE CABLE 1	\$124	A14B-0061-B106	INPUT UNIT	\$458
A13B-0146-K802	READER PUNCH CABLE 7M	\$161	A14B-0061-B107	INPUT UNIT	\$458
A13B-0146-K803	CABLE, RS232C, D-SUB 14M	\$232	A14B-0061-B108	INPUT UNIT	\$458
A13B-0146-K811	CABLE RS422 D-SUB/HONDA 7M	\$165	A14B-0061-B109	INPUT UNIT	\$153
A13B-0146-K812	CABLE, RS422, D-SUB/HONDA 14M	\$232	A14B-0067-B002	POWER SUPPLY MPC2	\$1,129
A13B-0146-K821	CABLE, RS422, D-SUB/D-SUB 7M	\$193	A14B-0075-B120	POWER SUPPLY, TAPE READER	\$549
A13B-0146-K822	CABLE, RS422, D-SUB/D-SUB 14M	\$244	A14B-0076-B001	INPUT UNIT A2 - WITHOUT SERVO	\$228
A13B-0147-B001	ROM ADAPTER (EROM/1MB)	\$1,054	A14B-0076-B002	INPUT UNIT	\$362
A13B-0148-B001	FA CARD ADAPTER - PORTABLE	\$1,266	A14B-0076-B004	INPUT UNIT	\$569
A13B-0148-B011	FA CARD ADAPTER	\$1,207	A14B-0076-B005	INPUT UNIT	\$501
A13B-0150-B001	FLOPPY CASSETTE ADAPTOR	\$3,144	A14B-0076-B008	INPUT UNIT	\$476
A13B-0153-C001	BROADBAND MODEM	\$8,265	A14B-0076-B010	INPUT UNIT	\$351
A13B-0154-B001	OPT I/O LINK ADAPTOR (ELEC-OPTICAL)	\$124	A14B-0076-B021	INPUT UNIT	\$697
A13B-0154-B002	OPTICAL ADAPTOR, I/O LINK	\$138	A14B-0076-B023	INPUT UNIT	\$1,494
A13B-0154-B003	OPTICAL ADAPTOR (ALPHA i SPINDLE)	\$138	A14B-0076-B101	INPUT UNIT	\$458
A13B-0156-C100	TAP FOR DNC1	\$66	A14B-0076-B102	INPUT UNIT	\$610
A13B-0156-C200	TERMINATING RESISTOR UNIT	\$9	A14B-0076-B103	INPUT UNIT	\$763
A13B-0156-C300	OPTICAL ADAPTER	\$533	A14B-0076-B104	INPUT UNIT A3	\$305
A13B-0156-J021	RS-232C CONTROL	\$2,745	A14B-0076-B105	INPUT UNIT	\$305
A13B-0157-B001	FA WRITER 100VAC	\$5,009	A14B-0076-B106	INPUT UNIT	\$535
A13B-0157-B002	FA WRITER 200VAC	\$5,009	A14B-0076-B112	INPUT UNIT	\$490
A13B-0157-C001	INPUT MODULE	\$1	A14B-0076-B201	INPUT UNIT	\$464
A13B-0157-C002	UNIT F/FA WRITER	\$1	A14B-0076-B205	INPUT UNIT	\$879
A13B-0157-C010	FA WRITER ROM MODULE ADAPTER	\$1,842	A14B-0076-B206	INPUT UNIT	\$929
A13B-0157-C012	CASSETTE ADAPTER F50	\$1,243	A14B-0076-B207	INPUT UNIT	\$924
A13B-0157-C013	ROM CASSETTE ADAPTER (S-15)	\$1,255	A14B-0076-B208	INPUT UNIT	\$754
A13B-0157-C014	ROM ADAPTER 32 PIN	\$2,345	A14B-0076-B209	INPUT UNIT, ADDITIONAL	\$314
A13B-0157-C015	ROM ADAPTER 40P	\$2,505	A14B-0076-B323	INPUT UNIT	\$1,036
A13B-0157-H011	ROM FILE ADAPTER / MMC-I	\$638	A14B-0076-B325	INPUT UNIT	\$874
A13B-0157-H012	ROM CASSETTE ADAPTER (S-O)	\$638	A14B-0076-B402	INPUT UNIT (CE)	\$419
A13B-0157-H015	FA WRITER - EPROM ADAP 1MBIT	\$2,004	A14B-0076-K104	CABLE FOR INPUT CONNECTOR	\$56
A13B-0157-H501	INPUT MODULE	\$1	A14B-0082-B003	DC POWER UNIT	\$2,505
A13B-0157-K801	CBL FA WRITER RS-232C 1.5M	\$156	A14B-0082-B106	RF POWER UNIT	\$4,713
A13B-0157-K802	CABLE GP-IB	\$257	A14B-0082-B107	RF POWER UNIT	\$4,941
A13B-0158-B001	RS-232 PROTECTIVE ADAPTER	\$86	A14B-0082-B202	USE A02B-0082-B208 WHEN OUT	\$11,157
A13B-0159-B001	HANDY FILE PORTABLE (ENGLISH)	\$2,413	A14B-0082-B210	LASER POWER SUPPLY UNIT	\$6,200
A13B-0159-B101	HANDY FILE (ENGLISH) BUILT-IN	\$3,506	A14B-0082-B211	LASER POWER SUPPLY UNIT	\$6,728
A13B-0159-B111	HANDY FILE BUILT-IN NO KEYBD	\$1,876	A14B-0082-B301	LASER PSU MATCHING BOX	\$3,210
A13B-0159-B200	FDD INTERFACE UNIT	\$562	A14B-0082-B302	LASER PSU MATCHING BOX	\$1,780
A13B-0159-B201	FLOPPY DISK INTERFACE W/CASING	\$902	A14B-0082-B303	LASER PSU MATCHING BOX	\$2,564
A13B-0159-C001	HANDY FILE ASM.	\$201	A14B-0082-B304	PSU MATCHING BOX	\$2,627
A13B-0159-D001	DOOR SWITCH	\$23	A14B-0082-B305	MATCHING BOX	\$2,140
A13B-0159-J001	HANDY FILE AC ADAPTER	\$134	A14B-0082-B306	MATCHING BOX	\$1,575
A13B-0159-J002	AC ADAPTER 100VAC 16 WATT	\$91	A14B-0082-B307	LASER PSU MATCHING BOX, STD	\$2,873
A13B-0159-J011	NAMEPLATE HANDY FILE GE FANUC	\$2	A14B-0082-B308	MATCHING BOX, CE	\$1,709
A13B-0160-C001	PDP UNIT	\$4,781	A14B-0082-B309	MATCHING BOX	\$3,666
A13B-0161-B001	CORDLESS MANUAL PULSE GEN	\$2,095	A14B-0082-B310	MATCHING BOX	\$3,734
A13B-0162-B001	WIRELESS ADAPTOR A1	\$1,384	A14B-0082-B311	MATCHING BOX	\$1,604
A13B-0163-B001	WIRELESS ADAPTER B1	\$1,548	A14B-0082-B312	MATCHING BOX (TRIGGER TYPE)	\$2,163
A13B-0166-C001	PDP UNIT	\$2,709	A14B-0082-B313	MATCHING BOX	\$1,927
A13B-0167-B001	DUMMY UNIT	\$128	A14B-0082-B314	MATCHING BOX	\$1,422
A13B-0169-C001	CRT	\$2,115	A14B-0082-B315	MATCHING BOX	\$1,604
A13B-0174-B102	INTELLIGENT TERMINAL	\$11,365	A14B-0082-B901	LASER POWER SUPPLY UNIT	\$7,445
A13B-0174-J001	HSSB INTERFACE BD, INT TERM	\$565	A14B-0082-B902	POWER SUPPLY	\$7,514
A13B-0174-J020	NAMEPL, INTELLIGENT TERM GEF	\$1	A14B-0082-B903	LASER POWER SUPPLY UNIT	\$7,832
A13B-0177-C001	LCD PANEL 8.4"	\$2,823	A14B-0082-B904	LASER POWER SUPPLY UNIT	\$8,652
A13B-0178-B001	INTELLIGENT TERMINAL	\$4,622	A14B-0082-B911	LASER POWER SUPPLY UNIT	\$7,605
A13B-0178-B002	INTELLIGENT TERMINAL -SOFTKEY	\$4,736	A14B-0082-B912	LASER POWER SUPPLY UNIT	\$6,717
A13B-0178-B003	INTELLIGENT TERMINAL - TOUCH	\$5,351	A14B-0082-B913	LASER POWER SUPPLY UNIT	\$6,717

RENEWAL PARTS  
PRICING

D-58



FANUC CNC Parts

Part Number	Description	Price	Part Number	Description	Price
A14B-0082-B914	LASER POWER SUPPLY UNIT	\$6,785	A16B-1110-0260	PCB, CNC LASER INTERFACE	\$4,280
A14B-0085-B001	TERMINAL UNIT	\$246	A16B-1110-0470	CONTROL MODULE	\$1,243
A14B-0085-B002	LINE FILTER UNIT	\$262	A16B-1200-0041	PCB	\$1,555
A14B-0085-B003	LINE FILTER UNIT	\$471	A16B-1200-0080	PCB	\$4,235
A14L-0056-0008	POWER SUPPLY UNIT	\$911	A16B-1200-0110	P.C.B.	\$2,732
A14L-0062-0001	POWER SUPPLY UNIT	\$1,092	A16B-1200-0150	PCB, ROM	\$795
A14L-0064-0008	SWITCHING REGULATOR	\$1,482	A16B-1200-0160	PCB	\$2,550
A14L-0099-0001	POWER SUPPLY	\$241	A16B-1200-0230	PCB, DC SERVO	\$1,530
A14L-0102-0001#A	POWER SUPPLY MODULE	\$157	A16B-1200-0270	PCB, REMOTE BUFFER	\$2,211
A14L-0102-0002	POWER SUPPLY MODULE	\$130	A16B-1200-0310	PCB, GRAPHICS S6	\$1,027
A14L-0103-0001	SWITCHING REGULATOR	\$2,479	A16B-1200-0360	PCB, POSITION MATE A	\$2,045
A14L-0105-0001	ADAPTER 110VAC HANDY FILE	\$121	A16B-1200-0520	PCB,2AX (INCL A20B-1001-0470)	\$4,417
A14L-0110-0001	POWER SUPPLY UNIT	\$474	A16B-1200-0520#J115	PCB,2AX (INCL A20B-1001-0470)	\$2,903
A14L-0110-0002	PSU PFO7P-DC24	\$232	A16B-1200-0670	PCB, CONTROL 1 AXIS	\$1,102
A14L-0120-0002#24A	POWER SUPPLY, RWS100-24V	\$206	A16B-1200-0680	PCB, AC SV DIGITAL	\$2,045
A14L-0126-0003#24	POWER SUPPLY, FOR LCD/MDI UNIT	\$99	A16B-1200-0710	PCB,R E C	\$822
A14L-0132-0001	DC/AC INVERTER	\$89	A16B-1200-0742	PCB, HIGH RES. 2 AXE	\$724
A14L-0132-0001#A	PCB, INVERTER	\$49	A16B-1200-0744	PCB, HIGH RES. 4 AXE	\$1,102
A14L-0132-0001#B	PCB, INVERTER F/10.4" LCD PANEL i	\$45	A16B-1200-0800	PCB, DIG-SV 2 AXES T	\$1,603
A14L-0135-0001#24	PCB, POWER SUPPLY	\$305	A16B-1200-0810	PCB, ANALOG VEL CONT	\$2,067
A14L-0136-0001#5A	POWER SUPPLY UNIT	\$139	A16B-1200-0831	PCB,LINEAR SCALE INTERF-4 AXES	\$826
A14L-0143-0001#A	PCB, POWER UNIT	\$67	A16B-1200-0880	PCB, SERVO	\$1,009
A14L-0143-0001#B	PCB, INVERTER	\$92	A16B-1200-0900	PCB,2-AX SERVO	\$1,890
A14L-0143-0002	PCB, INVERTER	\$123	A16B-1200-0910	PCB,POWER CIRCUIT	\$2,459
A14L-0143-0002#B	PCB, INVERTER 15.0" COLOR PNLI	\$118	A16B-1200-0911	PCB,POWER CIRCUIT	\$2,236
A15L-0001-0052#A	PC CARD, 8M DRAM	\$1,699	A16B-1210-0012	PCB, ROM/RAM F/12	\$1,195
A15L-0001-0054#A	CARD PC	\$1,780	A16B-1210-0020	PCB, AXIS CPU 2 F/12	\$1,746
A15L-0001-0060#A	CONNECTOR UNIT (2 option slot)	\$23	A16B-1210-0030	PCB, AXIS F/12	\$2,846
A15L-0001-0060#B	CONNECTOR	\$23	A16B-1210-0060	PCB, MAIN CPU F/12	\$2,823
A15L-0001-0060#C	CONNECTOR UNIT F/3 OR 4 SLOT CASE	\$27	A16B-1210-0070	PCB, MAIN BUFFER F/1	\$1,924
A15L-0001-0067#08AE	PCB, CE FOR EUROPE	\$1,195	A16B-1210-0080	PCB, PERIPHERAL CONT	\$2,115
A15L-0001-0077#K1	CABLE	\$25	A16B-1210-0090	PCB, ADAPTER F/12	\$701
A15L-0001-0077#PC	PC CARD	\$176	A16B-1210-0100	PCB, CPU F/12	\$1,865
A16B-1000-0010	PCB	\$6,739	A16B-1210-0110	PCB, (DSCG) F/12	\$2,322
A16B-1000-0030	PCB, MASTER	\$5,533	A16B-1210-0120	PCB, TC CPU	\$2,272
A16B-1000-0070	PCB	\$6,284	A16B-1210-0130	PCB, TC ANALOG	\$3,484
A16B-1000-0090	PCB,POS. MATE E	\$5,191	A16B-1210-0140	PCB, TC ANALOG	\$3,347
A16B-1000-0200	MPC2, MAIN CPU	\$3,871	A16B-1210-0160	PCB, SPINDLE POS DIS	\$1,530
A16B-1000-0260	PCB,PULSE CONTROL	\$2,778	A16B-1210-0170	PCB, ADDL DETECTOR C	\$1,746
A16B-1000-0400	PCB	\$2,641	A16B-1210-0180	PCB, ADDL DETECTOR C	\$3,279
A16B-1010-0020	PCB	\$1,913	A16B-1210-0250	PCB, BUFFER 1 F/12	\$865
A16B-1010-0041	PCB, MASTER	\$5,578	A16B-1210-0260	PCB, BUFFER 2	\$1,141
A16B-1010-0050	PWA (MASTER/F11)	\$6,011	A16B-1210-0280	PCB, DIG SV F/11	\$995
A16B-1010-0150	PCB, MASTER ANALOG 0-A	\$4,463	A16B-1210-0290	PCB, ROM/RAM-10 DIG	\$879
A16B-1010-0160	PCB, MASTER 11M-E	\$5,692	A16B-1210-0300	PCB,MAP INTERFACE	\$2,224
A16B-1010-0200	PCB, MASTER DIGITAL	\$4,918	A16B-1210-0320	PCB, I/O A1 F/10T/M	\$931
A16B-1010-0210	PWA (FO MASTER DGTL)	\$4,964	A16B-1210-0321	PCB, I/O A2 F/10T/M	\$1,302
A16B-1010-0240	PCB, MASTER OMATE	\$6,102	A16B-1210-0322	PCB, I/O A3 F/10T/M	\$1,541
A16B-1010-0280	PCB, MASTER OTB/OMB 3/4 AXES	\$6,011	A16B-1210-0340	PWA (FOR PMC RAM BOARD)	\$3,051
A16B-1010-0281	PCB, MASTER OTB/OMB 2 AXIS	\$4,736	A16B-1210-0350	PCB, OPT CARD 1	\$767
A16B-1010-0285	MASTER PCB 3 AXES W/SV LSI	\$5,123	A16B-1210-0360	PCB, OPT INTERFACE	\$608
A16B-1010-0286	MASTER PCB 2 AXES W/SV LIS	\$4,189	A16B-1210-0370	PCB, CRT/MDI SWITCH	\$1,195
A16B-1010-0320	PCB, MASTER S10	\$5,760	A16B-1210-0380	PCB, ADD AXIS/MEMORY	\$1,482
A16B-1010-0321	PCB, MASTER F/10	\$5,146	A16B-1210-0381	PCB, ADD MEMORY	\$640
A16B-1010-0330	PCB, MASTER S11	\$5,533	A16B-1210-0410	PCB, ACP	\$2,846
A16B-1010-0331	PCB, F/11 MASTER LEVEL-UP NEW	\$5,191	A16B-1210-0430	PCB, ADD AXES P+P	\$1,828
A16B-1010-0350	PCB, BACKPLANE MMC	\$1,780	A16B-1210-0440	PCB, ADD AXES R+P	\$2,436
A16B-1010-0360	PCB, DIGITAL SERVO	\$1,291	A16B-1210-0450	PCB, ADD AXES R+R	\$2,709
A16B-1010-0420	PCB,MASTER 11M-E	\$5,100	A16B-1210-0460	PWA (RES/IND INTERFACE)	\$2,092
A16B-1010-0430	PCB,MASTER	\$5,100	A16B-1210-0470	PCB, ROM/RAM ANALOG	\$1,036
A16B-1010-0460	PCB, MASTER OM3-B-3	\$4,098	A16B-1210-0471	PMC CASSETTE C	\$1,364
A16B-1010-0571	PCB, MASTER	\$2,259	A16B-1210-0472	PCB, ROM/RAM	\$963
A16B-1100-0070	PCB, POWER SUPPLY	\$2,056	A16B-1210-0480	CONNECTION UNIT A OP	\$1,063
A16B-1100-0080	PCB, SV DRIVE	\$2,368	A16B-1210-0481	CONNECTION UNIT B OP	\$763
A16B-1100-0090	PCB, ANALOG SPINDLE	\$2,596	A16B-1210-0560	POWER SUPPLY UNIT	\$1,603
A16B-1100-0091	PCB, ANALOG SPINDLE	\$2,482	A16B-1210-0590	PCB, I/O A3	\$1,603
A16B-1100-0092	PCB, ANALOG SPINDLE	\$2,482	A16B-1210-0591	PCB, I/O A2	\$1,161
A16B-1100-0180	PCB, MASTER/MOD E	\$2,664	A16B-1210-0660	POWER SUPPLY UNIT B	\$1,494
A16B-1100-0200	P.C.B.	\$2,247	A16B-1210-0800	PCB, GRAPHIC CONTROL	\$1,086
A16B-1100-0220	PCB, DIGITAL AC SV PWM CNTRL	\$2,188	A16B-1210-0801	PCB, MPG INTERFACE	\$519
A16B-1100-0240	PCB, SPINDLE S SERIES	\$494	A16B-1210-0810	PCB, PMC-K2	\$1,398
A16B-1100-0241	PCB, AC SPINDLE I SERIES	\$496	A16B-1210-0819	RAM CARD FOR PMC-M	\$1,143
A16B-1100-0260	PCB, CONTROL	\$1,949	A16B-1210-0820	PCB, I/O CARD A2	\$697
A16B-1100-0261	PCB, AC SPINDLE	\$1,949	A16B-1210-0830	PCB, PMC-M	\$1,459
A16B-1100-0300	PCB, SRV TRANSLESS 2	\$1,673	A16B-1210-0831	PCB	\$1,327
A16B-1100-0310	PCB, CNTRL UNIT F/9 SLOTS	\$820	A16B-1210-0839	PCB	\$1,539
A16B-1100-0320	PCB, CONTROL UNIT E1	\$1,002	A16B-1210-0840	PCB, MMC F/00	\$1,157
A16B-1100-0330	PCB, DIGITAL SERVO 3 AXIS	\$2,008	A16B-1210-0860	HEIDENHAIN OPTICAL SCALE INTRF	\$1,459
A16B-1100-0470	PCB,MASTER 15MEB	\$455	A16B-1211-0040	PCB, MAIN CPU	\$3,506
A16B-1100-0550	PCB, DCC FOR WIRE CUT EDM MACHINE	\$1,207	A16B-1211-0060	PCB, 4 AXES CONTROL	\$3,552
A16B-1110-0220	PCB,LASER IF	\$2,008	A16B-1211-0170	PCB,DI/DO	\$1,398
A16B-1110-0221	PCB,LASER IF	\$1,913	A16B-1211-0230	PCB, SWITCHER	\$1,111
A16B-1110-0222	PCB,LASER IF	\$1,842	A16B-1211-0250	PCB, SMALL CRT/MDI D	\$1,127
A16B-1110-0223	PCB,LASER IF	\$2,215	A16B-1211-0260	PCB, MMC INTERFACE 100/110	\$1,255



# A16B-1211-0271

Part Number	Description	Price	Part Number	Description	Price
A16B-1211-0271	PCB 1 AXIS/DIGITAL	\$1,637	A16B-1212-0871	PCB,POWER SUPPLY B1	\$1,157
A16B-1211-0272	PCB, AXIS CNTRL (2AXIS)	\$1,459	A16B-1212-0890	PCB	\$1,637
A16B-1211-0273	PCB, AXIS CNTRL (1AXIS)	\$1,220	A16B-1212-0901	PCB, POWER SUPPLY	\$1,072
A16B-1211-0280	PRINTED WIRE ASSEMBLY	\$786	A16B-1212-0901#CS	PSU	\$1,072
A16B-1211-0281	PCB, ACP ROM	\$747	A16B-1212-0930	PCB, E-STOP	\$1,034
A16B-1211-0290	PCB, ROM F/10 DIGITA	\$977	A16B-1212-0950	PCB, POWER SUPPLY A1 S-0C	\$1,118
A16B-1211-0291	PCB, ROM F/11 DIGITA	\$863	A16B-1212-0971	PCB, POWER SUPPLY	\$788
A16B-1211-0300	PCB, I/O C3	\$1,280	A16B-1212-0990	PCB, POWER PANEL	\$779
A16B-1211-0301	I/O CARD C2	\$1,066	A16B-1213-0050	MODULE	\$929
A16B-1211-0302	PCB, I/O C1	\$745	A16B-1213-0051	MODULE	\$694
A16B-1211-0310	PCB, 3/4 AXES/DIGITA	\$2,081	A16B-1300-0050	CURRENT LIMIT, 30M.ZK	\$742
A16B-1211-0311	PWA (3'D AXIS/DIGITAL)	\$1,769	A16B-1300-0110	PCB, SPINDLE ORIENT	\$576
A16B-1211-0320	PCB, MULTI AXIS SUB	\$1,578	A16B-1300-0111	PCB, ORIENT	\$606
A16B-1211-0330	PCB, MULTI AXIS CONT	\$2,459	A16B-1300-0121	USE PA20B-0008-0243 + BRKT	\$1,050
A16B-1211-0331	PCB, MULTI AXIS	\$2,092	A16B-1300-0170	PCB, DETECTION CIRCUIT	\$776
A16B-1211-0340	PCB, GRAPHIC CONTROL	\$1,721	A16B-1300-0200	PCB, SPINDLE CS	\$745
A16B-1211-0360	PCB, MULTI AXIS	\$1,566	A16B-1300-0210	PCB,CS AXIS DETECTION CKT	\$1,043
A16B-1211-0540	PCB, MAIN CPU F/12	\$1,780	A16B-1300-0220	PCB, SIG CONV CKT SER SP	\$455
A16B-1211-0550	PCB, MAIN CPU II F/12	\$1,412	A16B-1300-0221	PCB,SIG CONV CKT SER SP	\$462
A16B-1211-0610	PCB, SUB CPU	\$1,530	A16B-1310-0010	POWER SUPPLY	\$1,387
A16B-1211-0630	PCB, POWER ADAPTER	\$202	A16B-1310-0020	PCB, IF01A	\$1,339
A16B-1211-0730	PCB, RS232C	\$2,527	A16B-1310-0030	PCB, IF01B	\$713
A16B-1211-0760	PCB,FACTORY TERMINAL	\$1,471	A16B-1310-0300	PCB, ACP MEMORY A	\$1,045
A16B-1211-0800	PCB, DIG SV CNTRL 2 AX F/12	\$2,413	A16B-1310-0301	PCB, MEMORY	\$558
A16B-1211-0801	PCB, AXIS CONTROL	\$2,033	A16B-1310-0310	PCB, MEMORY	\$1,482
A16B-1211-0810	PCB, DIG SV CNTRL 1 AX +SSF/12	\$2,459	A16B-1310-0340	PCB, MAIN CNTRL CASS ADAPT 3	\$1,082
A16B-1211-0811	PCB, AXIS CONTROL	\$2,067	A16B-1310-0350	PCB, PWR SUP CASSETTE ADAPT 3	\$981
A16B-1211-0850	POWER SUPPLY UNIT	\$1,050	A16B-1310-0380	MACH OPER PNL PCB TYPE A	\$592
A16B-1211-0870	PCB, CONVERSATIONAL PROGRAMMING S-10	\$2,573	A16B-1310-0381	MACH OPER PNL PCB TYPE B	\$681
A16B-1211-0890	POWER SUPPLY, F/CNTRL UNIT	\$1,268	A16B-1310-0480	PCB, ACP/ADD MEMORY	\$1,043
A16B-1211-0900	PCB, PMC-M ROM W/MMC	\$1,186	A16B-1310-0500	PCB, INTERFACE	\$528
A16B-1211-0901	PCB, PMC-M ROM	\$1,152	A16B-1310-0550	PCB, SUB-MASTER/MOD E	\$1,018
A16B-1211-0902	PCB,PMC-M	\$1,255	A16B-1310-0561	PCB, DI/DO MOD E	\$433
A16B-1211-0903	PCB,PMC-M ROM	\$1,232	A16B-1310-0750	DISTRIBUTION BOARD	\$410
A16B-1211-0904	PCB, PMC-M ROM W/MMC	\$949	A16B-1400-0210	PCB	\$1,232
A16B-1211-0906	PCB, PMC-M RAM W/MMC	\$1,243	A16B-1500-0010	PCB, MASTER	\$2,778
A16B-1211-0907	SO-C PWA PMC-M RAM	\$1,143	A16B-1500-0020	PCB, PS & I/O MOD B2,C,D	\$2,664
A16B-1211-0908	PCB, PMC-M RAM	\$1,327	A16B-1500-0021	PCB, PS & I/O	\$2,368
A16B-1211-0909	SO-C PWA PMC-M RAM FOR EXTIO	\$1,658	A16B-1600-0010	PCB, CONT. BD /POS DISPLAY	\$451
A16B-1211-0910	PCB, MMC INTERFACE	\$997	A16B-1600-0045	PCB,F/P MATE MOD E MDI/CRT	\$571
A16B-1211-0930	PCB,HI SPD REMOTE BUFFER	\$1,412	A16B-1600-0060	PCB, TEST	\$508
A16B-1211-0940	PCB,I/O D2 104/72	\$1,195	A16B-1600-0070	KEYBOARD	\$847
A16B-1211-0945	PCB,I/O D7	\$1,207	A16B-1600-0080	PCB, INPUT UNIT	\$524
A16B-1211-0946	PCB, I/O D6	\$1,047	A16B-1600-0090	PCB, F/POWER INPUT U	\$551
A16B-1211-0960	PCB, A/D INPUT	\$2,045	A16B-1600-0160	PCB, RECEIVER F/ MEASURE SENS	\$455
A16B-1211-0961	PCB, RAM/ROM F/11M	\$1,949	A16B-1600-0170	PCB, RELAY CIRCUIT UNIT	\$157
A16B-1211-0970	PCB,I/O-E3 F/O-C	\$2,247	A16B-1600-0210	PWA TEST BOARD f/DIGITAL DR.	\$644
A16B-1211-0971	PCB,I/O-E2 F/O-C	\$1,865	A16B-1600-0280	PCB, ADD'L ROM	\$215
A16B-1211-0972	PCB,I/O-E1 F/O-C	\$1,387	A16B-1600-0281	PCB,ADDITIONAL ROM	\$182
A16B-1212-0030	ADD'L DETECTOR ADAPT. F/D1	\$553	A16B-1600-0360	PCB, RELAY B LASER	\$353
A16B-1212-0031	ADD'L DETECTOR ADAPT. FB1-B6	\$453	A16B-1600-0361	PCB,RELAY B	\$490
A16B-1212-0100	PWR SUPPLY PCB	\$1,232	A16B-1600-0370	PCB, SIGNAL CONV CIRCUIT	\$521
A16B-1212-0110	PCB, POWER SUPPLY	\$1,136	A16B-1600-0400	PCB, ROM BD F/MAP INTERFACE	\$228
A16B-1212-0120	PCB, ADDITIONAL I/O	\$1,022	A16B-1600-0420	1PCB,ORIENT	\$863
A16B-1212-0180	S15 PWA ROM FILE, 1MB	\$549	A16B-1600-0421	1PCB,SER SP SW CONT CKT	\$446
A16B-1212-0182	S15 PWA PMC WRITER ADAPTER	\$364	A16B-1600-0440	PCB,SPDL BLT-IN SENSOR SIG CON	\$421
A16B-1212-0202	PCB,7/8 AX 16 BIT	\$2,596	A16B-1600-0441	PCB,SIGNAL CONVERSION	\$469
A16B-1212-0203	PCB, SUB CPU	\$1,733	A16B-1600-0550	SERVO DIAGNOSIS BOARD	\$401
A16B-1212-0215	PCB, S15 MEMORY	\$1,316	A16B-1600-0660	LASER CONTROL, PCB	\$105
A16B-1212-0250	PCB, ANALOG 3/4 AX	\$1,662	A16B-1600-0661	PCB, LASER CONTROL	\$127
A16B-1212-0251	PCB,ANALOG 2 AX	\$1,268	A16B-1600-0670	LASER TURBO BLOWER, PCB	\$156
A16B-1212-0270	PCB LASER INTERFACE	\$4,076	A16B-1600-0770	PCB, TURBO LASER	\$210
A16B-1212-0291	POSITION CODER SWITCHER 4 MAX	\$1,004	A16B-1600-0780	PCB, LASER	\$510
A16B-1212-0300	USE A16B-2200-0700 WHEN OUT	\$1,507	A16B-1700-0020	PCB, AC SPINDLE ANAL	\$248
A16B-1212-0320	PCB	\$756	A16B-1700-0021	PCB, VEL GAIN	\$214
A16B-1212-0340	PCB, TC	\$1,459	A16B-1700-0100	PCB, TERMINAL CIRCUIT	\$81
A16B-1212-0350	PCB,TC	\$2,960	A16B-1700-0130	SIGNAL CONVERTER	\$74
A16B-1212-0351	PCB, TRACE ANALOG S15	\$2,641	A16B-1700-0160	LASER PCB,RELAY A	\$111
A16B-1212-0370	POWER SUPPLY ADAPTER FOR S15	\$209	A16B-1700-0200	PCB,MAG SENSOR SIGNAL INPUT	\$107
A16B-1212-0400	PCB, ADD'L BUFFER 1	\$776	A16B-1700-0270	PCB, C-AX SENSOR	\$181
A16B-1212-0420	LASER INTERFACE PCB FOR 15-L	\$3,984	A16B-1700-0310	PCB,SP AMP DETECTOR	\$163
A16B-1212-0430	PCB, REMOTE DETECTPR ADAPTER	\$683	A16B-1700-0360	PCB,DYNAMIC BRAKE	\$94
A16B-1212-0510	BACKPLANE	\$389	A16B-1700-0390	PCB,F/CHECK BD ADPT	\$210
A16B-1212-0530	PCB,POWER SUPPLY B1	\$1,316	A16B-1810-0010	PCB, 3'D AXES O-MATE	\$1,507
A16B-1212-0540	PCB, POWER SUPPLY	\$1,077	A16B-1810-0040	ADD'L DETECTOR ADAPT F/C1-C4	\$626
A16B-1212-0590	PCB,I/O H2	\$490	A16B-1810-0041	ADD'L DETECTOR ADAPT F/A4-A6	\$521
A16B-1212-0591	PCB,I/O H1	\$378	A16B-2100-0030	PCB, DRIVER SERIAL SPINDLE	\$1,566
A16B-1212-0650	PCB,POWER SUPPLY	\$1,093	A16B-2100-0070	PCB, DRIVER SERIAL SPINDLE	\$1,459
A16B-1212-0730	PCB, POWER SUPPLY	\$1,651	A16B-2100-0080	PCB	\$2,277
A16B-1212-0740	PCB CRT EXTENSION 15-A	\$1,316	A16B-2100-0114	PCB	\$1,364
A16B-1212-0741	PCB,CRT EXTENSION 15B	\$1,316	A16B-2100-0140	PCB, IF LASER	\$2,801
A16B-1212-0810	PCB,POWER ADAPTER	\$224	A16B-2100-0141	PCB, LASER	\$2,823
A16B-1212-0840	USE A16B-1212-0901 W/OUT	\$1,177	A16B-2100-0200	PCB, FOR 6AX/ AMPLIFIER	\$2,345
A16B-1212-0860	POWER SUPPLY	\$936	A16B-2200-0020	S15 PWA BASE 2, CPU 1MB RAM	\$1,890

RENEWAL PARTS  
PRICING

D-60



FANUC CNC Parts

Part Number	Description	Price	Part Number	Description	Price
A16B-2200-0021	PCB, CPU SUB BASE 2	\$2,081	A16B-2200-0700	OPERATORS PANEL CONN UNIT A1	\$1,170
A16B-2200-0080	PCB, CPU SUB BASE 2	\$2,550	A16B-2200-0701	OPERATORS PANEL CONN UNIT B1	\$911
A16B-2200-0081	PCB, CPU SUB BASE 2	\$2,937	A16B-2200-0731	OPR PANEL CONN A SRC I=64 O=32	\$1,124
A16B-2200-0090	PCB, AXIS CONTROL, 4 AXES	\$2,345	A16B-2200-0740	PCB, CTRL D1 RAM 1M S15	\$5,624
A16B-2200-0091	S15 PWA AXIS CONTROL, 3 AXES	\$2,224	A16B-2200-0741	PCB,BASE 2 RAM 2M	\$6,056
A16B-2200-0092	PCB, AXIS CONTROL, 2 AXES	\$1,519	A16B-2200-0770	PCB, REMOTE BUFFER 16 BIT	\$1,093
A16B-2200-0093	PCB, AXIS CONTROL, 1 AXIS	\$1,387	A16B-2200-0771	PCB, DNC1 F/16BIT	\$1,093
A16B-2200-0110	RAM FILE PCB S-15	\$2,573	A16B-2200-0775	REMOTE BUFFER BD	\$2,004
A16B-2200-0111	RAM FILE PCB S-15	\$1,541	A16B-2200-0776	DNC1 CARD CONTROL UNIT A	\$1,821
A16B-2200-0112	PCB, RAM FILE A	\$1,031	A16B-2200-0780	PCB,PROCESS I/O A	\$1,997
A16B-2200-0113	PCB, PMC RAM F/PMC-N	\$1,043	A16B-2200-0790	PCB,SERIAL FEEDBK AX CONT SOC	\$2,259
A16B-2200-0117	PCB,PMC RAM F/DEBUG	\$2,596	A16B-2200-0791	1PCB,SER SP FDBK 7AX F/OC	\$1,446
A16B-2200-0120	S15 PWA BASE 0 BOARD	\$1,603	A16B-2200-0800	PCB,SER SP FDBK T/6AX F/OC	\$2,020
A16B-2200-0121	PCB, BASE 0 SHARED RESOURCE	\$1,842	A16B-2200-0820	ETHERNET FOR F-D MATE	\$2,115
A16B-2200-0124	PCB, BASE 0 SHARED RESOURCE	\$1,662	A16B-2200-0821	ETHERNET FOR F-D MATE	\$2,527
A16B-2200-0127	S15 PWA BASE 0 BOARD P-H	\$1,280	A16B-2200-0822	PCB, ETHERNET	\$2,505
A16B-2200-0129	PCB, BASE 0 SHARED RESOURCE	\$1,637	A16B-2200-0830	PCB, F-D MATE	\$1,541
A16B-2200-0130	PCB, CNTRL UNIT PMC CPU BASE1	\$1,207	A16B-2200-0842	PCB,MAIN CPU	\$2,163
A16B-2200-0131	PCB, CNTRL UNIT PMC CPU BASE1	\$1,673	A16B-2200-0850	PCB, AXIS CONTROL	\$1,350
A16B-2200-0132	PCB,BASE 1 PMC CPU 2MB S15	\$2,573	A16B-2200-0853	PCB, AXES CONTROL (ROBOTICS)	\$1,507
A16B-2200-0140	PCB, CPU SUB BASE 2	\$3,074	A16B-2200-0854	PCB, AXES CONTROL	\$1,519
A16B-2200-0141	PCB, CPU SUB BASE 2	\$3,461	A16B-2200-0855	PCB, AXES CONTROL	\$1,268
A16B-2200-0150	PCB, CONVERSATION CPU	\$2,247	A16B-2200-0870	PCB,CONTROLLER	\$1,191
A16B-2200-0151	PCB, CONV PROG CPU 512K S15	\$2,709	A16B-2200-0890	PCB, RISC OPTION	\$6,739
A16B-2200-0152	PCB, CRT CONTROL MODULE 10 LCD	\$2,008	A16B-2200-0900	PCB,MAIN CPU	\$1,603
A16B-2200-0160	PCB, GRAPHIC CPU	\$1,603	A16B-2200-0901	PCB,MAIN CPU	\$1,578
A16B-2200-0161	1PCB,GRAPHIC CONTROL S-15	\$1,589	A16B-2200-0911	PCB,OPT GRAPHICS&DNC1	\$1,637
A16B-2200-0170	S15 PWA REMOTE BUFFER PCB S15	\$1,220	A16B-2200-0912	OPTION 1A BOARD, GRAPHICS ONLY	\$665
A16B-2200-0171	PCB, SER PORT W/O ANAL SPINDLE	\$831	A16B-2200-0913	PCB, OPT 1A BD DNC-2 ONLY	\$1,173
A16B-2200-0172	PCB, REMOTE BUFFER	\$1,519	A16B-2200-0914	PCB, OPTION 1	\$1,291
A16B-2200-0173	PCB, SER PORT W/ANAL SPINDLE	\$1,129	A16B-2200-0915	PCB, OPT 1A BD GRAPHICS&DNC2	\$1,434
A16B-2200-0174	PCB, REMOTE BUFFER W/O SP S15	\$1,232	A16B-2200-0916	PCB,OPT1 GRAPHICS + DNC1	\$1,482
A16B-2200-0211	SERIAL PORT PCB	\$1,519	A16B-2200-0917	PCB, OPT 1A BD GRAPHICS ONLY	\$615
A16B-2200-0220	PCB,3/4 AXES 16BIT	\$2,618	A16B-2200-0918	PCB,OPT1 GRAPHIC+REMOTE BUFFER	\$1,482
A16B-2200-0221	PCB, 2 AXES 16 BIT	\$1,685	A16B-2200-0919	OPTION 1 BD GRAPHICS ONLY	\$674
A16B-2200-0240	PCB, ADAPTER CRT/MDI	\$1,482	A16B-2200-0920	PCB,OPTION 2A	\$2,045
A16B-2200-0250	PCB	\$2,345	A16B-2200-0930	PCB,OPTION 2B W/ SUB CPU	\$1,555
A16B-2200-0252	PCB,2-AX CONTROL	\$1,530	A16B-2200-0931	OPTION 2 BD W/O SUB CPU	\$877
A16B-2200-0270	PCB, CRT/PDP CONTROL A S15	\$1,482	A16B-2200-0932	PCB, OPT 2B LR-1	\$1,446
A16B-2200-0290	PCB, ANALOG INTERFACE, 4 AXIS	\$4,076	A16B-2200-0940	PCB,OPTION 3 PMC-RC+CAP	\$2,277
A16B-2200-0291	PCB, ANALOG INTERFACE, 3 AXES	\$3,461	A16B-2200-0941	PCB,OPTION 3 PMC-RC	\$786
A16B-2200-0292	PCB, ANALOG INTERFACE, 2 AXIS	\$2,413	A16B-2200-0942	PCB,OPTION 3 PMC-RC W/ COMMUNI	\$922
A16B-2200-0293	PCB, ANALOG INTERFACE, 1 AXIS	\$1,794	A16B-2200-0943	PCB,OPTION 4 VSP II	\$1,938
A16B-2200-0294	PCB,ANALOG INTERFACE	\$3,916	A16B-2200-0950	PCB, I/O 155/120	\$1,327
A16B-2200-0310	PCB, GRAPHICS CONTROL MODULE	\$2,236	A16B-2200-0951	PCB, I/O 104/72	\$1,291
A16B-2200-0320	PCB, MULTI AXIS	\$1,651	A16B-2200-0952	PCB, I/O 80/56	\$1,118
A16B-2200-0330	PCB, 5/6 AXES 16 BIT	\$2,247	A16B-2200-0953	PCB, I/O W/HISPD SKIP	\$820
A16B-2200-0340	NEW PMC-M	\$1,015	A16B-2200-0954	PCB HIGH SPEED SKIP	\$478
A16B-2200-0341	SO-C PWA PMC-M ROM	\$831	A16B-2200-0955	PCB, I/O	\$1,268
A16B-2200-0345	SO-C PWA PMC-M RAM I/O-A M/SLV	\$1,002	A16B-2200-0956	PCB, I/O	\$1,232
A16B-2200-0346	SO-C PWA PMC-M RAM I/O-A MASTR	\$947	A16B-2200-0957	80/56 DI/00 PCB	\$1,054
A16B-2200-0350	PCB, GRAPHIC CARD OC	\$1,316	A16B-2200-0958	PCB,DI/DO 40/40	\$756
A16B-2200-0370	SERVO INTERFACE MODULE	\$2,033	A16B-2200-0960	PCB, LOADER CONTROL	\$1,339
A16B-2200-0371	WHEN OUT REPLACE WITH - SEE NOTE	\$1,997	A16B-2200-0981	PCB,DI/DO 104/72 W/HDI	\$2,152
A16B-2200-0390	PCB,SERIAL FEEDBK AX CONT SOC	\$2,345	A16B-2200-0982	PCB,DI/DO 80/56 W/HDI	\$1,626
A16B-2200-0391	PCB,SERIAL FEEDBK AX CONT SOC	\$1,387	A16B-2200-0983	PCB,DI/DO 40/40 W/HDI	\$1,186
A16B-2200-0410	PCB, REMOTE BUFFER	\$635	A16B-2200-0986	PCB,DI/DO 104/72 W/O HDI	\$1,890
A16B-2200-0431	PCB,A B INTERFACE	\$426	A16B-2200-0987	PCB,DI/DO 80/56 W/O HDI	\$1,566
A16B-2200-0450	PCB, MAP CONTROLLER	\$3,165	A16B-2200-0988	PCB,DI/DO 40/40 W/O HDI	\$1,029
A16B-2200-0451	PCB, MAP CONTROLLER	\$4,554	A16B-2201-0010	PCB, SPINDLE CONTRL	\$1,566
A16B-2200-0470	PCB,BASE 1 S15 FOR I/O MOD A	\$1,184	A16B-2201-0020	PCB, AC SERVO 5S & 10S/3000	\$1,243
A16B-2200-0471	PCB, BASE 1 S15	\$1,637	A16B-2201-0030	PCB,BASE PWRMATE B	\$1,530
A16B-2200-0480	PCB, ADDITIONAL DETECTOR	\$1,043	A16B-2201-0040	PCB,ROM ADPTR F/A13B-0157-C010	\$1,350
A16B-2200-0481	PCB, ADDITIONAL DETECTOR	\$1,423	A16B-2201-0050	PCB, CONN UNIT C1 FOR OPERATORS PNL	\$1,482
A16B-2200-0482	ADDITIONAL DETECTOR	\$1,232	A16B-2201-0070	I/O CARD B, 96/64, SOURCE	\$1,138
A16B-2200-0483	PCB, ADDITIONAL DETECTOR CKT	\$1,614	A16B-2201-0071	I/O CARD A, 48/32, SOURCE	\$751
A16B-2200-0490	PCB & FRAME	\$1,327	A16B-2201-0080	PCB,MAIN CPU	\$1,157
A16B-2200-0500	PCB, CPU F/ FD MATE	\$1,913	A16B-2201-0090	PCB, SUB CPU W/GRAPHICS	\$1,364
A16B-2200-0501	MAIN CPU BOARD	\$7,263	A16B-2201-0091	PCB, SUB CPU W/O GRAPHICS	\$1,195
A16B-2200-0510	GRAPHIC BOARD	\$1,191	A16B-2201-0101	PCB, MEMORY W/SIC	\$1,350
A16B-2200-0520	BASE0 B2 COM CONT SER SPDL	\$1,901	A16B-2201-0103	PCB, MEMORY F/SO ANALOG SPINDLE	\$1,011
A16B-2200-0521	P. C. BOARD, BASE 0	\$1,673	A16B-2201-0110	MACH OPER PNL CNTL PCB EXTIO-A	\$847
A16B-2200-0524	PCB, BASE ZERO	\$1,494	A16B-2201-0111	PCB,OPE.PANEL I/F.	\$1,195
A16B-2200-0527	BASE0 D2 COM CONT SER SPDL	\$1,519	A16B-2201-0115	OPERATORS PANEL INTERFACE UNIT	\$847
A16B-2200-0529	BASE0 C2 COM CONT SER SPDL	\$1,471	A16B-2201-0120	PCB,MAIN CPU S18-TE	\$1,603
A16B-2200-0660	OPER PNL CONN UNIT 96/64 (SINK)	\$1,275	A16B-2201-0130	PCB, SRAM 1280M	\$1,482
A16B-2200-0661	OPER PNL CONN UNIT 64/32 (SINK)	\$911	A16B-2201-0131	PCB, SRAM 640M	\$1,364
A16B-2200-0680	DNC-1 PCB	\$1,268	A16B-2201-0132	PCB, SRAM 320M	\$1,243
A16B-2200-0682	DNC-1 PCB S-15	\$1,530	A16B-2201-0133	PCB, BUBL.MEMORY,256KBX4	\$1,243
A16B-2200-0685	PCB, DNC1 CONTROL	\$1,255	A16B-2201-0134	PCB, SRAM 80M	\$1,168
A16B-2200-0690	PCB,SERIAL FEEDBK AX CONT S15	\$2,345	A16B-2201-0135	PCB,SRAM 40M (A87L-0001-0016)	\$1,150
A16B-2200-0691	PCB,SERIAL FEEDBK AX CONT S15	\$2,527	A16B-2201-0220	PCB,ROM ADPTR F/A13B-0157-C011	\$733
A16B-2200-0692	PCB,SERIAL FEEDBK AX CONT S15	\$1,746	A16B-2201-0230	PCB,ROM CASS F/A13B-0157-C012	\$770
A16B-2200-0693	PCB,SERIAL FEEDBK AX CONT S15	\$1,398	A16B-2201-0240	PCB,ROM CASS F/A13B-0157-C013	\$779





# A16B-2201-0250

Part Number	Description	Price	Part Number	Description	Price
A16B-2201-0250	PCB,ROM ADPTR F/A13B-0157-C014	\$2,709	A16B-2202-0461	PCB,POWER SUPPLY	\$981
A16B-2201-0260	PCB,ROM ADPTR F/A13B-0157-C015	\$2,960	A16B-2202-0470	PCB,POWER SPINDLE AMP	\$981
A16B-2201-0300	PCB,MAIN CPU A HI-SPEED	\$2,368	A16B-2202-0471	PCB,POWER SPINDLE AMP	\$1,109
A16B-2201-0310	PCB,SUB CPU	\$2,345	A16B-2202-0480	PCB,POWER SERVO AMP	\$984
A16B-2201-0311	PCB - ADDITIONAL AXES	\$1,184	A16B-2202-0481	PCB,POWER SERVO AMP	\$984
A16B-2201-0320	PCB,MAIN CPU A STD	\$1,746	A16B-2202-0490	PCB,POWER SERVO AMP	\$1,626
A16B-2201-0331	PCB,SUB CPU	\$1,603	A16B-2202-0491	PCB,POWER SERVO AMP	\$1,626
A16B-2201-0340	PCB,HI SP CPU W/AX&SP REMOVED	\$2,277	A16B-2202-0492	PCB,POWER SERVO AMP	\$1,626
A16B-2201-0351	PCB,BUFFER	\$1,102	A16B-2202-0500	PCB,POWER SERVO AMP	\$2,020
A16B-2201-0360	PCB,AXIS CPU F/15MBMA2	\$1,651	A16B-2202-0501	PCB,POWER SERVO AMP	\$2,020
A16B-2201-0371	PCB,PMC-NA W/O CAP	\$795	A16B-2202-0502	PCB,POWER SERVO AMP	\$2,020
A16B-2201-0381	PCB,PMC-NB CPU	\$824	A16B-2202-0503	PCB,POWER SERVO AMP	\$1,949
A16B-2201-0390	PCB,PMC-NA CPU WITH CAP	\$1,054	A16B-2202-0504	PCB,POWER SERVO AMP	\$2,020
A16B-2201-0391	PMC-NA Main board	\$852	A16B-2202-0505	PCB,POWER SERVO AMP	\$2,020
A16B-2201-0420	PCB, MMCI CPU	\$2,163	A16B-2202-0506	PCB,POWER SERVO AMP	\$2,020
A16B-2201-0430	PCB, MMCI GRAPHICS	\$1,541	A16B-2202-0510	PCB,POWER SERVO AMP	\$444
A16B-2201-0440	PCB, SPINDLE CONTROL	\$1,614	A16B-2202-0541	POWER CIRCUIT	\$972
A16B-2201-0450	BASE PCB PWR MATE C	\$1,339	A16B-2202-0542	PCB 1-POWER CIRCUIT	\$1,038
A16B-2201-0472	PCB,PROCESS I/O CB	\$1,097	A16B-2202-0560	PCB,LOADER CONTROL	\$2,322
A16B-2201-0510	PCB,PROCESS I/O B	\$2,020	A16B-2202-0571	Additional Axis Board w/SubCPU	\$2,045
A16B-2201-0560	PCB OSI ETHERNET - 10BASE5	\$3,893	A16B-2202-0600	PCB,POWER SERVO AMP	\$897
A16B-2201-0561	PCB OSI ETHERNET - 10BASE2	\$4,280	A16B-2202-0601	PCB,POWER SERVO AMP	\$961
A16B-2201-0570	OSI ETHERNET BD - 10BASE5	\$3,324	A16B-2202-0602	PCB,POWER SERVO AMP	\$1,020
A16B-2201-0571	OSI ETHERNET BD - 10BASE2	\$4,098	A16B-2202-0610	PCB,POWER SERVO AMP	\$1,364
A16B-2201-0580	PCB,LR CONTROL	\$1,890	A16B-2202-0611	PCB,POWER SERVO AMP	\$1,364
A16B-2201-0590	PCB,MMC-III CPU	\$2,573	A16B-2202-0612	PCB,POWER SERVO AMP	\$1,375
A16B-2201-0600	PCB,MMCI MAIN CPU	\$1,769	A16B-2202-0613	PCB,POWER SERVO AMP	\$1,434
A16B-2201-0630	PCB,BASE PWR MT	\$1,387	A16B-2202-0614	PCB,POWER SERVO AMP	\$1,434
A16B-2201-0681	PCB, I/O 80/56	\$1,072	A16B-2202-0630	DATA SERVER PC BD	\$1,744
A16B-2201-0710	PCB,RISC	\$9,198	A16B-2202-0640	PCB,MAIN CPU	\$2,081
A16B-2201-0721	PCB, MAIN CPU 4 AXES S20-MA	\$1,268	A16B-2202-0661	PCB, POWER ALPHA	\$856
A16B-2201-0722	PCB,MAIN BOARD S20	\$1,541	A16B-2202-0682	PCB,POWER ALPHA SV	\$1,068
A16B-2201-0730	OPER PNL SOURCE OUT D	\$1,685	A16B-2202-0690	PCB, DI/DO 104/72	\$1,280
A16B-2201-0731	OPER PNL SOURCE OUT C	\$911	A16B-2202-0691	PCB,DI/DO 80/56	\$1,129
A16B-2201-0732	PCB,I/O S20	\$1,614	A16B-2202-0692	PCB,DI/DO 40/40	\$897
A16B-2201-0751	PCB	\$2,345	A16B-2202-0710	PCB,BASE F/PWR MATE E	\$1,302
A16B-2201-0770	PCB,M-NET	\$1,578	A16B-2202-0711	PCB,BASE	\$1,163
A16B-2201-0771	PCB,M-NET W.OUT GRPH	\$1,291	A16B-2202-0720	PCB,DI/DO 104/80 W/HDI	\$1,280
A16B-2201-0810	PCB,PMC-NB WITH CAP	\$986	A16B-2202-0721	PCB,DI/DO 104/72 W/HDI	\$1,243
A16B-2201-0811	PCB,PMC-NB CPU	\$731	A16B-2202-0722	PCB,DI/DO 80/56 W/HDI	\$1,068
A16B-2201-0820	PCB, TC CPU	\$3,529	A16B-2202-0723	PCB,DI/DO 40/40 W/HDI	\$811
A16B-2201-0840	PCB,MAIN CPU	\$1,685	A16B-2202-0725	PCB,DI/DO 104/80 W/O HDI	\$1,232
A16B-2201-0850	MP FOR PMC-NB AND NB2 PCB + CAP	\$1,339	A16B-2202-0726	PCB,DI/DO 104/72 W/O HDI	\$1,168
A16B-2201-0851	MP FOR PMC-NB AND NB2 PCB	\$1,152	A16B-2202-0727	PCB,DI/DO 80/56 W/O HDI	\$1,013
A16B-2201-0854	PCB,OPT-3 B - PMC-RC3/RC4	\$1,097	A16B-2202-0728	PCB,DI/DO 40/40 W/O HDI	\$754
A16B-2201-0855	OPTION 3 BOARD	\$1,243	A16B-2202-0730	OP PNL CONN UNIT D 96/64 SOURC	\$1,275
A16B-2201-0856	PCB, PMC-RE	\$1,177	A16B-2202-0731	OP PNL CONN UNIT C 64/32 SOURC	\$911
A16B-2201-0857	PCB, OPTION 3 BOARD	\$544	A16B-2202-0732	ADDN I/O CARD E, 96/64, SOURCE	\$1,138
A16B-2201-0880	PCB,BASE PWR MT E	\$1,662	A16B-2202-0733	ADDN I/O CARD D, 48/32, SOURCE	\$751
A16B-2201-0881	PCB,BASE PWR MT E	\$1,471	A16B-2202-0740	PCB,CONTROL ALPHA	\$1,011
A16B-2201-0910	PCB,I/O 84/64 W/O GRAPHIC	\$1,459	A16B-2202-0741	PCB, POWER SERVO AMP	\$965
A16B-2201-0922	PCB, I/O CRT/PDP 9" SOURCE	\$1,471	A16B-2202-0743	PCB,HI-SP BASE 2 DRAM 2MB	\$981
A16B-2201-0931	PCB	\$1,997	A16B-2202-0750	PCB 1-POWER CIRCUIT	\$1,566
A16B-2201-0940	PCB,SUB-CPU 1MB	\$2,983	A16B-2202-0752	PCB, POWER 20A+20A	\$1,530
A16B-2201-0941	PCB,SUB CPU 2MB	\$3,324	A16B-2202-0773	PCB,CONTROL ALPHA	\$1,280
A16B-2201-0960	PCB, CNC CONT.D1	\$8,925	A16B-2202-0774	PCB,CONTROL ALPHA	\$1,280
A16B-2201-0980	PCB, MMC-II 486 MAIN CPU	\$3,825	A16B-2202-0782	PCB,CONTROL ALPHA SV 3AX	\$1,853
A16B-2202-0030	PCB,GRAPHIC	\$1,614	A16B-2202-0783	PCB, CONTROL ALPHA 3AX SV	\$1,938
A16B-2202-0070	PCB,CONTROL SPINDLE AMP	\$1,434	A16B-2202-0820	PCB, POWER 60A/HV	\$1,186
A16B-2202-0080	PCB,CONTROL POWER SUPPLY	\$783	A16B-2202-0830	PCB	\$676
A16B-2202-0100	PCB,CPU 2AX	\$1,589	A16B-2202-0831	SERVO PCB	\$676
A16B-2202-0110	PCB, MAIN CPU 16TEA	\$1,589	A16B-2202-0832	PCB, SERVO	\$888
A16B-2202-0120	PCB,CPU 18E	\$1,186	A16B-2202-0835	PCB for A06B-6070-H004	\$1,059
A16B-2202-0132	PCB, I/O 96 IN/24 OUT	\$1,434	A16B-2202-0840	PCB, CONTROL BD FOR ALPHA SPINDLE	\$729
A16B-2202-0140	EXTERNAL I/O B 96/64	\$1,138	A16B-2202-0850	OPTION 2 BD.	\$1,459
A16B-2202-0141	I/O CARD 48/32	\$751	A16B-2202-0851	OPTION 2 BD. ANALOG I/O AND H.	\$911
A16B-2202-0160	PCB,CONTROL SPINDLE AMP	\$1,589	A16B-2202-0852	PCB, BACK GROUND GRAPHIC	\$1,519
A16B-2202-0184	PCB,SERVO	\$974	A16B-2202-0853	PCB,OPT 2 2 AXES	\$1,876
A16B-2202-0250	PCB,BASE B	\$1,412	A16B-2202-0860	PCB, MAIN CPU	\$1,865
A16B-2202-0251	PCB, BASE A	\$1,207	A16B-2202-0870	PCB, ADDN'L I/O 96/64 SOURCE	\$3,415
A16B-2202-0280	PCB,MAIN CPU MMC-II	\$4,394	A16B-2202-0872	PCB,I/O SOURCE A, 40/40	\$872
A16B-2202-0331	PCB,HISP B2 W/SUB DRAM 2MB	\$3,392	A16B-2202-0880	PCB, LOADER CONTROL 2 AXES	\$2,322
A16B-2202-0400	OPTION 2 BOARD	\$1,938	A16B-2202-0890	PCB, OPT 2 2 AXES	\$1,721
A16B-2202-0401	PCB,OPT2 W/O SUB CPU	\$1,011	A16B-2202-0930	PCB, SERVO CONTROL	\$2,732
A16B-2202-0402	PCB,BACKGROUND GRAPHICS	\$1,949	A16B-2202-0940	CONTROL PCB, A06B-6088-H001	\$733
A16B-2202-0420	PCB,CONTROL POWER SUPPLY	\$749	A16B-2202-0950	POWER CIRCUIT	\$1,507
A16B-2202-0421	PCB,CONTROL ALPHA PWR SUP	\$797	A16B-2202-0951	PCB,POW SVU1-20	\$1,555
A16B-2202-0422	PCB, CONTROL ALPHA PSM-18HV	\$808	A16B-2202-0955	POWER CIRCUIT	\$1,541
A16B-2202-0424	PCB, AC SPINDLE PSM-	\$770	A16B-2202-0956	PCB, SERVO CONTROL	\$1,507
A16B-2202-0433	PCB,CONTROL SPINDLE AMP	\$1,519	A16B-2202-0980	PCB,I/O 9" CRT	\$1,901
A16B-2202-0434	PCB,CONTROL SPINDLE AMP	\$1,519	A16B-2202-0985	PCB, I/O 96/72 D2 LCD	\$1,890
A16B-2202-0435	ALPHA CONTROL PCB	\$1,626	A16B-2202-0990	PCB,SVM1-240	\$626
A16B-2202-0440	CONTROL PCB	\$1,626	A16B-2202-0991	PCB,SVM1-360	\$626
A16B-2202-0460	PCB,POWER SUPPLY	\$981	A16B-2203-0020	PCB, 4 AX TYPE B	\$2,846

RENEWAL PARTS  
PRICING

D-62



FANUC CNC Parts

Part Number	Description	Price	Part Number	Description	Price
A16B-2203-0021	PCB, 2 AX TYPE B	\$1,084	A16B-3200-0057	PCB, OPT 3 CAPII	\$581
A16B-2203-0030	PCB, OPT. 2 SUB CPU	\$1,459	A16B-3200-0060	MAIN CPU PCB	\$1,972
A16B-2203-0031	PCB, OPT 2 2AX	\$904	A16B-3200-0090	PCB,MAIN 16WB	\$2,177
A16B-2203-0032	BACKGROUND GRAPHIC BOARD	\$1,412	A16B-3200-0100	PCB, PMC	\$2,368
A16B-2203-0033	PCB, OPT 2 SUB CPU	\$1,589	A16B-3200-0110	PCB MAIN CPU BD	\$1,938
A16B-2203-0040	PCB, I/O 96/64 9" CRT	\$1,459	A16B-3200-0150	PCB,RISC	\$5,510
A16B-2203-0041	PCB, I/O 48/32	\$1,141	A16B-3200-0160	PCB,MAIN CPU	\$1,960
A16B-2203-0045	PCB, I/O 96/64 7.2" LCD	\$1,423	A16B-3200-0170	PCB, MAIN CPU	\$1,673
A16B-2203-0070	PCB,I/O 96/64	\$1,507	A16B-3200-0190	PCB, MAIN CPU 6 AX	\$2,045
A16B-2203-0071	PCB,I/O 96/64	\$1,507	A16B-3200-0210	PCB, MAIN CPU 4 AX	\$2,459
A16B-2203-0073	PCB, I/O 96/64 F/Oi	\$1,690	A16B-3200-0220	PCB, PROFIBUS I/F	\$2,983
A16B-2203-0080	PCB, LOADER CONTROL	\$2,709	A16B-3200-0230	PCB,PROCESS I/O EA	\$1,387
A16B-2203-0090	MONITOR BOARD	\$1,327	A16B-3200-0240	PCB,MAIN CPU	\$1,985
A16B-2203-0110	PCB, S-OC I/O 104/72	\$786	A16B-3200-0260	PCB, BASE POWER MATE i	\$2,345
A16B-2203-0111	PCB, I/O 80/56	\$681	A16B-3200-0290	PCB, POWER	\$945
A16B-2203-0112	PCB, I/O 40/40 C5 F/OC	\$556	A16B-3200-0300	PCB, MAIN CPU 15i	\$2,163
A16B-2203-0180	PCB, MMCIV	\$1,220	A16B-3200-0320	PCB, MASTER 16i	\$2,115
A16B-2203-0190	PCB,PC104 INTERFACE	\$665	A16B-3200-0325	PCB, MASTER 18i	\$2,140
A16B-2203-0200	PCB,PLC INTERFACE	\$533	A16B-3200-0326	PCB, MASTER 21i	\$2,129
A16B-2203-0240	PCB	\$2,709	A16B-3200-0350	PCB, RISC + Data Server Series i	\$6,307
A16B-2203-0300	PCB,SVM1-240	\$1,097	A16B-3200-0351	PCB,RISC BOARD	\$4,918
A16B-2203-0301	PCB,SVM1-360	\$1,097	A16B-3200-0352	PCB,	\$1,758
A16B-2203-0320	PCB, I/O 104/80	\$1,195	A16B-3200-0361	PCB,MAIN CPU S21MB	\$1,746
A16B-2203-0330	PCB, CONTROL SPINDLE AMP	\$1,530	A16B-3200-0362	PCB, MAIN F/Oi-M	\$2,552
A16B-2203-0331	PCB, CONTROL SPINDLE AMP	\$1,530	A16B-3200-0391	PCB,RISC	\$531
A16B-2203-0332	PCB, SP CONTROL ALPHA	\$1,530	A16B-3200-0400	PCB, MAIN CPU 15i/150i	\$1,746
A16B-2203-0340	PCB, Additional axis	\$1,104	A16B-3200-0420	PCB, MAIN CPU 16i	\$1,426
A16B-2203-0370	PCB, Power supply unit 15i	\$1,177	A16B-3200-0421	PCB, MAIN CPU 18i	\$1,426
A16B-2203-0431	PCB, SUB CPU	\$813	A16B-3200-0425	PCB, MAIN CPU 21i	\$1,412
A16B-2203-0450	PCB, POWER CIRCUIT	\$694	A16B-3200-0460	PCB, RISC & FAST DATA SERVER	\$2,272
A16B-2203-0451	PCB, POWER CIRCUIT	\$729	A16B-3200-0462	PCB	\$1,434
A16B-2203-0452	PCB, AC SV	\$758	A16B-3200-0490	PCB, CPU MAIN Oi-B	\$1,091
A16B-2203-0453	PCB,	\$797	A16B-3200-0491	PCB, CPU MAIN Oi-B	\$1,291
A16B-2203-0454	PCB, POWER CIRCUIT	\$911	A16B-3200-0495	PCB, CPU MAIN Oi-B MATE-A	\$1,127
A16B-2203-0480	PCB, LOADER CONTROL	\$1,507	A16B-3200-0500	PCB, I/O Oi-B W/O DATA SERVER	\$685
A16B-2203-0500	PCB,AC SPINDLE	\$1,459	A16B-3200-0501	PCB, I/O Oi-B W/DATA SERVER	\$1,614
A16B-2203-0501	PCB	\$1,459	A16B-3300-0033	USE A16B-3300-0053 WHEN OUT	\$1,566
A16B-2203-0502	PCB, CONTROL F/SPINDLE -6102-H215	\$1,459	A16B-3300-0035	PCB	\$1,184
A16B-2203-0504	PCB	\$1,482	A16B-3300-0050	PCB,9.5" TFT	\$1,482
A16B-2203-0505	PCB, SPINDLE CONTROL	\$1,459	A16B-3300-0051	PCB,VGA GRAPHIC	\$1,614
A16B-2203-0590	PCB,	\$1,050	A16B-3300-0053	PCB,VGA GRAPHIC	\$1,626
A16B-2203-0591	PCB,	\$1,068	A16B-3300-0056	PCB,10.4" TFT	\$1,780
A16B-2203-0592	PCB, POWER CIRCUIT	\$1,050	A16B-3300-0057	PCB, 8.4" INTERFACE	\$1,780
A16B-2203-0593	PCB, AC SP	\$1,088	A16B-3300-0058	PCB, GRAPHIC	\$1,780
A16B-2203-0594	PCB, AC SP	\$1,088	A17B-3300-0102	PCB,Servo control card (8 axes)	\$1,184
A16B-2203-0595	PCB,	\$1,088	A17B-3300-0202	PCB, ROBO CUT HI-SPEED SERVO, 8 AXIS	\$1,685
A16B-2203-0610	PCB, ACSPM	\$2,368	A17B-3300-0300	PCB, 6 AX SERVO	\$2,778
A16B-2203-0660	PCB, POWER F/A06B-6114-H104	\$813	A17B-3300-0402	PCB, CPU F/15i/150i	\$968
A16B-2203-0740	PCB, LOADER CONTROL 4 AXES	\$1,398	A17B-3300-0500	PCB, SERVO CONTROL 8-AXES	\$1,482
A16B-2203-0754	PCB, SUB CPU	\$710	A-2000-0000	REN - RENSCAN400 SW TRAINING	\$3,750
A16B-2300-0020	PCB, SUB I/O 48/32	\$767	A-2003-7266	REN - SPECIAL IMP/MH3 HOUSING ASSY	\$1,075
A16B-2300-0021	PCB, SUB I/O 48/32	\$619	A-2003-7603	REN - IMP/MH3 HOUSING ASSEMBLY	\$1,075
A16B-2300-0022	PCB, SUB I/O 32/24 F/PWR MATE A	\$533	A-2003-7606	REN - IMP/MH3 HOUSING ASSEMBLY	\$1,075
A16B-2300-0030	PCB,SERIAL SPINDLE F/PWR MATE A	\$867	A-2003-7621	REN - IMP/MH3 HOUSING ASSEMBLY	\$1,075
A16B-2300-0040	PCB,SUB CPU CRT ANAL SPNDL	\$797	A-2003-7622	REN - IMP/MH3 HOUSING ASSEMBLY	\$905
A16B-2300-0042	PCBB,SUB CPU CRT SERIAL SPNDL	\$893	A-2003-7623	REN - IMP/MH3 HOUSING	\$1,075
A16B-2300-0060	PCB,SENSOR SIGNAL (6044-J707)	\$505	A-2003-7625	REN - IMP/MH3 HOUSING ASSEMBLY	\$1,075
A16B-2300-0080	PCB,I/F 9.5"LCD W/O MMCIV	\$758	A-2003-7626	REN - IMP/MH3 HOUSING ASSEMBLY	\$1,075
A16B-2300-0081	PCB,I/F 9.5"LCD W/MMCIV	\$1,066	A-2003-7630	REN - IMP/MH3 HOUSING ASSEMBLY	\$1,075
A16B-2300-0082	PCB,I/F 8.4"LCD W/O MMCIV	\$808	A-2003-7631	REN - IMP/MH3 HOUSING ASSEMBLY	\$1,075
A16B-2300-0083	PCB,I/F 8.4"LCD W/MMCIV	\$1,125	A-2003-7632	REN - IMP/MH3 HOUSING ASSEMBLY	\$1,075
A16B-2300-0085	PCB, LCD ADAPTOR ANALOG	\$1,280	A-2003-7642	REN - IMP/MH3 HOUSING ASSEMBLY	\$1,075
A16B-2300-0110	CE OP PNL PCB W/GNDFLOW PROT	\$612	A-2003-7644	REN - IMP/MH3 HOUSING ASSEMBLY	\$1,075
A16B-2300-0140	PCB,I/F OP PNL	\$767	A-2003-7645	REN - IMP/MH3 HOUSING ASSEMBLY	\$1,075
A16B-2300-0191	PCB, 10.4" LCD	\$1,302	A-2003-7650	REN - IMP/MH3 HOUSING ASSEMBLY	\$1,075
A16B-2300-0192	PCB, 8.4LCD ADAPTER DGTL.	\$1,020	A-2003-7651	REN - IMP/MH3 HOUSING ASSEMBLY	\$1,075
A16B-2300-0200	PCB, LCD INTERFACE	\$1,084	A-2003-7661	REN - IMP/MH3 HOUSING ASSEMBLY	\$1,075
A16B-2300-0201	PCB, INTERFACE	\$1,113	A-2003-7662	REN - IMP/MH3 HOUSING ASSEMBLY	\$1,075
A16B-2400-0010	PCB, AC SPINDLE 30HV/40HV	\$2,778	A-2003-7670	REN - IMP/MH3 ASSEMBLY R-70 L-60	\$1,075
A16B-2400-0020	SP DRIVE CKT MOD30HV/40HV/60HV	\$2,272	A-2003-7678	REN - IMP/MH3 HOUSING ASSEMBLY	\$1,075
A16B-2600-0020	GRAPHIC SUB BOARD	\$808	A-2003-7679	REN - IMP/MH3 HOUSING ASSEMBLY	\$1,075
A16B-2600-0021	PCB, ADD ON	\$804	A-2003-7680	REN - IMP/MH3 HOUSING ASSEMBLY	\$1,075
A16B-2600-0022	1PCB, ADD-ON	\$610	A-2003-7681	REN - IMP/MH3 HOUSING ASSEMBLY	\$1,075
A16B-2600-0040	INTERFACE ADAPTER	\$174	A-2003-7683	REN - IMP/MH3 HOUSING ASSEMBLY	\$1,075
A16B-2600-0070	KEYBOARD FOR HANDY OPER PANEL	\$255	A-2003-7684	REN - IMP/MH3 HOUSING ASSEMBLY	\$1,075
A16B-2600-0080	DPL/MDI SWITCHING CIRCUIT	\$344	A-2003-7685	REN - IMP/MH3 HOUSING ASSEMBLY	\$1,075
A16B-2600-0100	PCB, OPTICAL ADAPTER	\$647	A-2003-7686	REN - IMP/MH3 HOUSING ASSEMBLY	\$1,075
A16B-2600-0130	PCB,I/F	\$342	A-2003-7687	REN - IMP/MH3 HOUSING ASSEMBLY	\$1,075
A16B-2600-0150	I/O CARD C	\$342	A-2003-7699	REN - IMP/MH3 HOUSING ASSEMBLY	\$905
A16B-3200-0010	PCB,MAIN CPU S16B	\$2,391	A-2003-7701	REN - IMP/MH3 HOUSING ASSEMBLY	\$1,075
A16B-3200-0020	PCB, MAIN CPU S21-TB	\$1,865	A-2003-7702	REN - IMP/MH3 HOUSING ASSEMBLY	\$1,075
A16B-3200-0031	PCB,I/O DI/DO 48/32 9" CRT	\$1,141	A-2003-7703	REN - IMP/MH3 HOUSING ASSEMBLY	\$1,075
A16B-3200-0035	PCB, DI/DO 96/64 7.2" CRT	\$1,423	A-2003-7704	REN - IMP/MH3 HOUSING ASSEMBLY	\$1,075
A16B-3200-0055	PCB, OPT 3 PMC-RC-CAPII	\$1,566	A-2003-7705	REN - IMP/MH3 HOUSING ASSEMBLY	\$1,075



# A-2003-7716

Part Number	Description	Price	Part Number	Description	Price
A-2003-7716	REN - IMP/MH3 HOUSING ASSEMBLY	\$1,075	A-2008-0500	REN - TS27R S1250,1500,2000 (21) B	\$1,890
A-2003-7719	REN - IMP/MH3 HOUSING ASSEMBLY	\$1,075	A-2008-0501	REN - TS27R S1250,1500,2000 (42) B	\$1,890
A-2003-7720	REN - IMP/MH3 HOUSING ASSEMBLY	\$1,075	A-2008-0505	REN - TS27R REPLACEMENT 3.5 METERS	\$1,470
A-2003-7723	REN - IMP/MH3 HOUSING ASSEMBLY	\$1,075	A-2008-0505-	REN - TS27R REPLACEMENT 3.5 METERS	\$1,470
A-2003-7724	REN - IMP/MH3 HOUSING ASSEMBLY	\$1,075	A-2008-0506	REN - TS27R REPLACEMENT 5.2 METERS	\$1,470
A-2003-7725	REN - IMP/MH3 HOUSING ASSEMBLY	\$1,075	A-2008-0506-	REN - TS27R REPLACEMENT 5.2 METERS	\$1,470
A-2003-7726	REN - IMP/MH3 HOUSING ASSEMBLY	\$1,075	A-2008-0507	REN - TS27R REPLACEMENT 6.7 METERS	\$1,470
A-2003-7727	REN - IMP/MH3 HOUSING ASSEMBLY	\$1,075	A-2008-0507-	REN - TS27R REPLACEMENT 6.7 METERS	\$1,470
A-2003-7735	REN - IMP/MH3 HOUSING ASSEMBLY	\$1,075	A-2008-0518	REN - TS20 90 5M CABLE D4 STEM	\$717
A-2003-7736	REN - IMP/MH3 HOUSING ASSEMBLY	\$1,075	A-2008-0574	REN - TS27R A/S1250-2000 (21)	\$1,890
A-2003-7737	REN - HOUSING/IMP ASSEMBLY	\$1,075	A-2008-0576	REN - TS27R A/S1250-2000 (42)	\$1,890
A-2003-7738	REN - IMP/MH3 HOUSING ASSEMBLY	\$1,075	A-2008-0578	REN - TS27R S500-1000 PSS	\$1,890
A-2003-7739	REN - IMP/MH3 HOUSING ASSEMBLY	\$1,075	A-2008-0583	REN - TS27R L1000-2000	\$1,890
A-2003-7740	REN - IMP/MH3 HOUSING ASSEMBLY	\$1,075	A-2008-0586-RI	REN - RAISING BLOCK 158MM W/O LOGO	\$100
A-2003-7741	REN - IMP/MH3 HOUSING ASSEMBLY	\$1,075	A-2008-0734	REN - TS20 KIT FOR HAAS LATHES 4.5M	\$717
A-2003-7742	REN - IMP/MH3 HOUSING ASSEMBLY	\$1,075	A-2008-0834	REN - TS27R A500-1250C STD Z PROFI-	\$1,890
A-2003-7743	REN - IMP/MH3 HOUSING ASSEMBLY	\$1,075	A-2008-0835	REN - TS27R A1250-2000 PROFI-BUS	\$1,890
A-2003-7744	REN - IMP/MH3 HOUSING ASSEMBLY	\$1,075	A-2008-0836	REN - TS27R A3000 PROFI-BUS	\$1,890
A-2003-7745	REN - IMP/MH3 HOUSING ASSEMBLY	\$1,075	A-2008-0837	REN - TS27R L3000 PROFI-BUS	\$1,890
A-2003-7746	REN - IMP/MH3 HOUSING ASSEMBLY	\$1,075	A-2008-0838	REN - TS27R A500-1250C RAISED Z PRO	\$1,890
A-2003-7754	REN - IMP/MH3 HOUSING ASSEMBLY	\$1,075	A-2008-0839	REN - TS27R L1250-2000 PROFI-BUS	\$1,890
A-2003-7756	REN - IMP/MH3 HOUSING ASSEMBLY	\$1,075	A-2008-0851	REN - TS20 TOOL KIT	\$35
A-2003-7757	REN - IMP/MH3 HOUSING ASSEMBLY	\$1,075	A-2009-0158	REN - INTERFACE BOARD PCB1	\$568
A-2003-7758	REN - IMP/MH3 HOUSING ASSEMBLY	\$1,075	A-2011-0002	REN - 360 DEGREE IMM	\$704
A-2003-7759	REN - IMP/MH3 HOUSING ASSEMBLY	\$1,075	A-2011-0079	REN - SETTING PIN FOR MP3 360 DEG	\$15
A-2003-7760	REN - IMP/MH3 HOUSING ASSEMBLY	\$1,075	A-2011-0095	REN - 360 DEGREE IMM	\$1,024
A-2003-7762	REN - IMP/MH3 HOUSING ASSEMBLY	\$1,075	A-2011-0097	REN - IMM	\$835
A-2003-7763	REN - IMP/MH3 HOUSING ASSEMBLY	\$1,075	A-2011-1188	REN - 360 DEGREE IMP R=125 L=55	\$1,181
A-2003-7764	REN - IMP/MH3 HOUSING ASSEMBLY	\$1,075	A-2011-1239	REN - 360 IMP/HS6 110R 70L	\$1,240
A-2003-7776	REN - IMP/MH3 HOUSING ASSEMBLY	\$1,075	A-2011-1263	REN - 360 DEGREE IMP R=140 L=75	\$1,240
A-2003-7777	REN - IMP/MH3 HOUSING ASSEMBLY	\$905	A-2011-1353	REN - 360 IMP R=170 L=85	\$1,588
A-2003-7779	REN - IMP/MH3 HOUSING ASSEMBLY	\$1,075	A-2011-1376	REN - 360 DEGREE HOUSNG & IMP	\$2,735
A-2003-7780	REN - IMP/MH3 HOUSING ASSEMBLY	\$1,075	A-2012-0001	REN - CP1 CAT40	\$2,040
A-2003-7784	REN - IMP/MH3 HOUSING ASSEMBLY	\$1,075	A-2012-0002	REN - CP1 CAT50	\$2,095
A-2003-7790	REN - IMP/MH3 HOUSING ASSEMBLY	\$1,075	A-2012-0003	REN - CP1 BT40	\$2,040
A-2003-7795	REN - IMP/MH3 HOUSING ASSEMBLY	\$1,075	A-2012-0004	REN - CP1 BT50	\$2,095
A-2003-7796	REN - IMP/MH3 HOUSING ASSEMBLY	\$1,075	A-2012-0007	REN - CP1 PROBE	\$1,654
A-2003-7797	REN - IMP/MH3 HOUSING ASSEMBLY	\$1,075	A-2012-0064	REN - CP1 ADJUSTMENT MODULE	\$372
A-2003-7799	REN - IMP/MH3 HOUSING ASSEMBLY	\$1,075	A-2012-0079	REN - CP1 & BT40 SHANK KIT NO P/STU	\$2,040
A-2003-7801	REN - IMP/MH3 HOUSING ASSEMBLY	\$1,075	A-2012-0081	REN - CP1 12" EXTENSION	\$856
A-2003-7803	REN - IMP/MH3 HOUSING ASSEMBLY	\$1,075	A-2013-7501	REN - LP2 (BT) MODULE	\$2,751
A-2003-7813	REN - IMP/MH3 HOUSING ASSEMBLY	\$1,075	A-2015-6361	REN - MP9 MAHOGANY BOX	\$131
A-2003-7816	REN - IMP/MH3 HOUSING ASSEMBLY	\$1,075	A-2015-6364	REN - MP9 BOX - 50 TAPER V SHANK	\$176
A-2003-7817	REN - IMP/MH3 HOUSING ASSEMBLY R110	\$1,075	A-2015-6395	REN - MP12 WOOD BOX	\$131
A-2003-7818	REN - IMP/MH3 HOUSING ASSEMBLY	\$1,075	A-2015-6399	REN - SPLC MAHOG BOX FOR A/5003/091	\$735
A-2003-7819	REN - IMP/MH3 HOUSING ASSEMBLY	\$1,075	A-2015-7528	REN - MAHOGANY BOX (RML)	\$110
A-2003-7834	REN - IMP/MH3 HOUSING ASSEMBLY	\$1,075	A-2019-0006	REN - MI5 INTERFACE (SSR)	\$542
A-2003-7835	REN - IMP/MH3 HOUSING ASSEMBLY	\$1,075	A-2019-0018	REN - PSU3 24VDC POWER SUPPLY	\$281
A-2003-7838	REN - IMP/MH3 HOUSING ASSEMBLY	\$1,075	A-2023-0010	REN - SSR CONVERTER KIT	\$129
A-2003-7840	REN - IMP/MH3 HOUSING ASSEMBLY	\$1,075	A-2027-4006	REN - PROBE BASE	\$489
A-2003-7841	REN - IMP/MH3 HOUSING ASSEMBLY	\$1,075	A-2027-7046	REN - TK3 TOOL KIT	\$34
A-2005-0002	REN - BC3 BATTERY CHARGER	\$302	A-2028-1231	REN - HPA A310 B170 S300 (COL)	\$5,404
A-2006-0129	REN - INTERFACE BOARD	\$355	A-2028-4406	REN - MARK II IMM	\$708
A-2008-0002	REN - TS20 25MM W/SCM	\$772	A-2028-6074	REN - CMP	\$149
A-2008-0110	REN - TS20 32MM W/LEMO CONNECTOR	\$717	A-2028-6608	REN - CONTACT MODULE MACHINE (CMM)	\$149
A-2008-0117	REN - SCM FOR TS20 W/ 5M CABLE	\$118	A-2028-7303	REN - JUNCTION BOX	\$110
A-2008-0121	REN - TS20 40MM W/LEMO CONNECTOR	\$717	A-2028-7386	REN - IMM ASSEMBLY A/2028/7572 +LEM	\$700
A-2008-0123	REN - TS20 32MM W/O SCM	\$717	A-2028-7393	REN - IMP ASSEMBLY	\$579
A-2008-0139	REN - TS27 PROBE MODULE W/O STYLUS	\$601	A-2028-7412	REN - IMM	\$838
A-2008-0146	REN - TS27 KIT TS27/STYL/HOLDER/M18	\$1,239	A-2028-7422	REN - IMM	\$838
A-2008-0148	REN - USE PART #A/2008/0368 TS27	\$1,055	A-2028-7425	REN - IMM	\$838
A-2008-0151	REN - TS20 25MM W/O SCM	\$717	A-2028-7448	REN - CONTACT MODULE	\$112
A-2008-0183	REN - TS20 32MM W/SCM	\$772	A-2028-7476	REN - CONTACT MODULE	\$112
A-2008-0276	REN - TS20 40MM W/SCM & SSR	\$901	A-2028-7567	REN - IMM	\$838
A-2008-0277	REN - TS20 40MM W/O SCM	\$717	A-2028-7568	REN - IMM	\$838
A-2008-0285	REN - TS20 40MM W/SCM	\$772	A-2028-7569	REN - IMM	\$838
A-2008-0288	REN - TS20 PROBE ONLY W/5M CABLE NO	\$601	A-2028-7570	REN - IMM	\$838
A-2008-0332	REN - TS27R EYELID SPANNER	\$20	A-2028-7571	REN - IMM	\$838
A-2008-0368	REN - TS27R PROBE KIT	\$1,055	A-2028-7572	REN - IMM	\$700
A-2008-0369	REN - TS27R PROBE MODULE ONLY	\$601	A-2028-7573	REN - IMM	\$838
A-2008-0371	REN - TS27R HOLDER ONLY	\$353	A-2028-7574	REN - IMP	\$579
A-2008-0388	REN - TS27R PROBE W/HOLDER NO STYLU	\$939	A-2028-7600	REN - IMP FOR MP1 PROBE MKIV	\$734
A-2008-0404	REN - TS27R PLUG/SOCKET KIT	\$438	A-2028-7601	REN - IMP FOR MP1 PROBE MKIV	\$699
A-2008-0431	REN - TS27R A500,750 S500,750,1000	\$1,890	A-2028-7602	REN - IMP FOR MP1 PROBE MKIV	\$734
A-2008-0432	REN - TS27R S500,750,1000 PSS	\$1,890	A-2028-7604	REN - IMP FOR MP1 PROBE MK IV SM	\$734
A-2008-0433	REN - TS27R S1250,1500	\$1,890	A-2028-7704	REN - IMP FOR MP1	\$734
A-2008-0434	REN - TS27R S2000	\$1,890	A-2028-7706	REN - IMP FOR MP1 J030 K040	\$734
A-2008-0435	REN - TS27R L1250	\$1,890	A-2028-7711	REN - IMP FOR MP1	\$734
A-2008-0437	REN - TS27R REPL FOR 64205049	\$1,470	A-2028-7725	REN - IMP FOR MP1	\$734
A-2008-0438	REN - TS27R REPL FOR 64205044	\$1,470	A-2028-7742	REN - IMP FOR MP1	\$699
A-2008-0439	REN - TS27R REPL FOR 64205057-1	\$1,470	A-2028-7747	REN - IMP FOR MP1	\$699
A-2008-0440	REN - TS27R REPL FOR 64205058	\$1,470	A-2028-7756	REN - IMP FOR MP1	\$734
A-2008-0441	REN - TS27R REPL FOR 64205059	\$1,470	A-2028-7761	REN - IMP FOR MP1 PROBE MKIV	\$734
A-2008-0499	REN - TS27R D500,750 A/S500-1000 C	\$1,890	A-2028-7771	REN - MP1 IMP ONE PIECE ARM K60 J15	\$734

RENEWAL PARTS  
PRICING

D-64



FANUC CNC Parts

Part Number	Description	Price	Part Number	Description	Price
A-2028-7773	REN - IMP FOR MP1	\$699	A-2033-6377	REN - PRIMARY EXTENSION FOR VTL OMP	\$614
A-2028-7776	REN - IMP FOR MP1	\$699	A-2033-6379	REN - SHORTING COVER	\$127
A-2028-7782	REN - IMP FOR MP1	\$734	A-2033-6571	REN - MPE1 COS 100MM EXTENSION	\$358
A-2028-7789	REN - IMP FOR MP1	\$734	A-2033-6595	REN - MPE2 150MM COS EXTENSION	\$431
A-2028-7791	REN - IMP FOR MP1 ASSEMBLY	\$734	A-2033-6634	REN - OMM PROTECTION KIT	\$110
A-2028-7792	REN - IMP FOR MP1	\$734	A-2033-6657	REN - COS TO TP6 ADAPTOR	\$563
A-2028-7793	REN - IMP FOR MP1	\$734	A-2033-6667	REN - MPE3 200MM COS EXTENSION	\$485
A-2028-7794	REN - IMP FOR MP1	\$734	A-2033-6820	REN - MP8-70 CAT60 ASSEM SM	\$4,896
A-2028-7796	REN - IMP FOR MP1	\$699	A-2033-6883	REN - MP8-35 W/MICRO CHIP HOLE	\$4,361
A-2028-7798	REN - IMP FOR MP1	\$734	A-2033-7029	REN - MP8-70 CAT50 M24X3 W/STYLJ	\$4,793
A-2028-7806	REN - IMP FOR MP1 PROBE MKIV	\$734	A-2033-7097	REN - CAT50 W/SWITCH FOR MP14 MP8	\$790
A-2028-7809	REN - IMP FOR MP1	\$734	A-2033-7100	REN - VTL SUB ASSY EXT W ROTARY ADJ	\$988
A-2028-7823	REN - IMP FOR MP1	\$734	A-2033-7112	REN - MP10 70 DEG OMP LP2 ADPTR ASS	\$1,202
A-2028-7824	REN - IMP FOR MP1	\$734	A-2033-7169	REN - MP8 35 DEG DIN69871 ISO50/CHI	\$4,510
A-2028-7826	REN - IMP FOR MP1	\$734	A-2033-7183	REN - MP12 A500,750 A	\$5,118
A-2028-7830	REN - IMP FOR MP1 PROBE	\$734	A-2033-7184	REN - MP12 S500,750,1000 A	\$5,118
A-2028-7834	REN - IMP FOR MP1	\$1,024	A-2033-7185	REN - MP12 S1250,1500,2000 A	\$5,118
A-2028-7840	REN - IMP FOR MP1 PROBE MKIV	\$734	A-2033-7188	REN - OMM ASSY HULLER HILLE	\$1,134
A-2028-7847	REN - IMP FOR MP1	\$734	A-2033-7229	REN - MP12 A500,750 B	\$5,118
A-2028-7850	REN - IMP FOR MP1	\$734	A-2033-7230	REN - MP12 A1000 S500,750,1000 B	\$5,118
A-2028-7857	REN - IMP FOR MP1	\$734	A-2033-7231	REN - MP12 S1250,1500,2000 B	\$5,118
A-2028-7858	REN - IMP FOR MP1	\$734	A-2033-7268	REN - OMME HIGH POWER	\$962
A-2028-7859	REN - IMP FOR MP1	\$734	A-2033-7276	REN - MP8 35D HSK A100 SHANK KIT	\$6,652
A-2028-7863	REN - IMP FOR MP1 MKIV	\$734	A-2033-7296	REN - MP8 SHANK ADAPTOR FOR CAT 60	\$512
A-2028-7874	REN - IMP FOR MP1 J20 K90	\$734	A-2033-7341	REN - MP8 70 DEG BT#50 SL171 & ACCS	\$4,793
A-2028-7876	REN - IMP FOR MP1	\$734	A-2034-0001	REN - MP9 35 USE A/2034/0035 - KIT	\$3,533
A-2028-7880	REN - IMP FOR MP1	\$734	A-2034-0037	REN - MP9 OMP ONLY 35 DEGREE	\$654
A-2028-7893	REN - IMP FOR MP1	\$734	A-2034-0038	REN - MP9 OMP ONLY 70 DEGREE	\$654
A-2028-7897	REN - IMP FOR MP1	\$734	A-2034-0042	REN - MP9 ACCESSORIES KIT	\$137
A-2028-7933	REN - IMP FOR MP1	\$734	A-2037-0010	REN - M18 INTERFACE	\$184
A-2028-7951	REN - IMP FOR MP1	\$734	A-2037-0020	REN - M18 DIN RAIL MOUNTED SM	\$237
A-2028-7959	REN - IMP FOR MP1	\$734	A-2037-0025	REN - M18 ASSEMBLY-CIN MIL TS27R KI	\$420
A-2028-7960	REN - IMP FOR MP1	\$734	A-2037-0030	REN - SKIP SHARING MODULE BOARD	\$210
A-2028-7969	REN - IMP FOR MP1	\$699	A-2045-0001	REN - MP11 W/CABLE/CONN/50/100MM ST	\$2,861
A-2028-7976	REN - IMP FOR MP1	\$699	A-2045-0003	REN - MP11 PROBE ONLY	\$2,741
A-2028-7981	REN - IMP FOR MP1	\$620	A-2045-0051	REN - MP11 CABLE W/CONNECTOR	\$123
A-2028-7988	REN - IMP FOR MP1	\$734	A-2045-0225	REN - MP11 CABLE 90 FISCHER PLUG	\$609
A-2028-8030	REN - IMP FOR MP1 J=15 K=62.5 (MITS	\$734	A-2045-0239	REN - VDI 50 CALIBRATION ASSY DIA 1	\$1,965
A-2028-8031	REN - IMP - MK IV (RML)	\$777	A-2045-0240	REN - VDI 60 CALIBRATION ASSY DIA 1	\$1,965
A-2028-8080	REN - MKII TO MKIV IMM ADAPTOR ASSY	\$838	A-2045-0243	REN - 1/2" STRAIGHT SHANK MP10/12	\$203
A-2028-8082	REN - MKII TO MKIV IMM ADAPTOR ASSY	\$838	A-2045-0259	REN - VDI 30 SHANK LTO2S	\$530
A-2028-8086	REN - MKII TO MKIV IMM ADAPTOR ASSY	\$838	A-2045-0261	REN - 1/2 IN SHANK CALIBRATION ASSY	\$1,372
A-2028-8088	REN - MKII TO MKIV IMM ADAPTOR ASSY	\$838	A-2045-0278	REN - CALIB BALL & MOUNT ASSY	\$608
A-2028-8182	REN - IMP ASSEMBLY	\$622	A-2045-0283	REN - SHANK ADJUSTMENT ASSY	\$317
A-2028-8224	REN - IMM ASSY	\$838	A-2045-0340	REN - MP11 STRAIGHT CABLE 30.5M F/L	\$473
A-2028-8286	REN - MKIV IMM-INGERSOLL A/2028/440	\$838	A-2045-0385	REN - HSK F63 ADAPTOR ASSEMBLY (KO)	\$2,385
A-2028-8314	REN - MK II/III TO MK IV IMM ASSY	\$838	A-2048-0072	REN - CRK HPA ARM ASSY + TS20	\$4,050
A-2028-8447	REN - CERAMIC IMM - CYLINDRICAL, 5M	\$700	A-2048-0202	REN - TS20 90 DEG STYLUS W/INTERFAC	\$948
A-2028-8449	REN - CERAMIC IMM - REAR EXIT (7571	\$838	A-2048-0262	REN - TS20 90 DEGREE PROBE 39 X 32	\$894
A-2028-8453	REN - IMP ARM K45 J40/LOC'N NOSE	\$1,310	A-2048-0289	REN - TS24 90 DEGREE PROBE 43 X 43	\$894
A-2028-8459	REN - CERAMIC IMM - SIDE EXIT, FLEX	\$838	A-2048-0320	REN - TS-25 15MM X 15 MM CABLE	\$1,615
A-2028-8470	REN - CERAMIC IMM - SIDE EXIT, TUBE	\$838	A-2048-0427	REN - HPA A406 B330	\$2,163
A-2028-8471	REN - CERAMIC IMM - SIDE EXIT, TUBE	\$838	A-2048-0478	REN - KELLY GRAY VTL HPA BRACKET	\$1,712
A-2028-8479	REN - CERAMIC IMM - CYLINDRICAL, 10	\$700	A-2048-0479	REN - HPA KELLY CINTURN BRACKET	\$1,176
A-2028-8488	REN - MP1 IMP ANGLED PROBE	\$1,130	A-2048-0480	REN - HPA A380 B320	\$1,654
A-2030-0086	REN - ADAPTOR FOR PX28 BATTERIES	\$110	A-2048-0500	REN - TS20 25MM W/LEMO CONNECTOR	\$717
A-2030-0140	REN - LTO2 BATTERY CAP ASSEMBLY	\$38	A-2048-0502	REN - HPA REPLACEMENT BASE COVER	\$315
A-2030-0141	REN - ON-CENTRE ADJUSTER ASSEMBLY	\$30	A-2048-0503	REN - HPA BASE R/E	\$695
A-2030-0211	REN - 25MM STRAIGHT SHANK MP10/12	\$203	A-2048-0504	REN - HPA BASE S/E	\$695
A-2030-0221	REN - LTO2 LP2 PROTECTION COVER	\$161	A-2048-0506	REN - HPA ROLLER HOLDING	\$565
A-2030-0235	REN - ON CENTER ADJUSTER LTO3T	\$125	A-2048-0511	REN - HPA PROBE HOLDER 90 DEGREE	\$166
A-2030-0244	REN - MP10 TYPE ACCESSORIES KIT	\$137	A-2048-0512	REN - HPA 90 DEGREE SPACER HOLDER	\$166
A-2030-0252	REN - 1" STRAIGHT SHANK MP10/12	\$203	A-2048-0513	REN - HPA WRIST JOINT	\$276
A-2030-0254	REN - TS32R TOOL SETTER VISIBLE RED	\$2,457	A-2048-0514	REN - HPA SPACER 20MM	\$132
A-2030-0255	REN - TS32 TOOL SETTER INFRA-RED	\$2,457	A-2048-0515	REN - HPA SPACER 25MM	\$132
A-2030-0277	REN - TS32 W/ HPA MTG - USES BASE A	\$3,565	A-2048-0516	REN - HPA SPACER 30MM	\$132
A-2030-0278	REN - TS32R W/ HPA MTG - USES BASE	\$3,565	A-2048-0517	REN - HPA SPACER 35MM	\$132
A-2030-0330	REN - LTO3T OMP KIT 25MM SHANK	\$1,530	A-2048-0518	REN - HPA PROBE HOLDER 11MM	\$166
A-2030-0333	REN - HPA/TS32 MOUNTING KIT	\$1,530	A-2048-0519	REN - HPA PROBE HOLDER 16MM	\$166
A-2030-0560	REN - BATTERY UPGRADE KIT LTO2 LTO2	\$100	A-2048-0520	REN - HPA PROBE HOLDER 21MM	\$166
A-2031-0181	REN - OMM-R (VISIBLE RED) ASSY	\$916	A-2048-0521	REN - HPA PROBE HOLDER 26MM	\$166
A-2033-0576	OMM OPTICAL RECEIVER	\$916	A-2048-0522	REN - HPA STORAGE STAND	\$276
A-2033-0690	REN - M112 PANEL MOUNT KIT	\$56	A-2048-0523	REN - LP2 PROBE HOLDER	\$259
A-2033-0704	REN - MP7/8/9/10 PROBE MODULE	\$2,878	A-2048-0560	REN - HPA C145	\$1,213
A-2033-0774	REN - ***USE PART NO. A/2033/0862**	\$3,533	A-2048-0561	REN - HPA C165	\$1,213
A-2033-0830	OMM MOUNTING BRACKET	\$110	A-2048-0563	REN - HPA C205	\$1,213
A-2033-0861	REN - MP8-35 OMP ONLY	\$793	A-2048-0565	REN - HPA C245	\$1,213
A-2033-0862	REN - MP8-70 OMP ONLY	\$793	A-2048-0568	REN - HPA C305	\$1,208
A-2033-0946	REN - MP7-35 OMP ONLY	\$654	A-2048-0570	REN - HPA C345	\$1,213
A-2033-0947	REN - MP7-70 OMP ONLY	\$654	A-2048-0601	REN - HPA A170 B90	\$1,418
A-2033-0985	REN - MP7 70 (WITH BALL ON CTR ADJ)	\$3,533	A-2048-0602	REN - HPA A110 B170	\$1,489
A-2033-1099	REN - MP10 PROBE ONLY 35 DEG	\$3,533	A-2048-0604	REN - HPA A170 B150	\$1,489
A-2033-1165	REN - WAO OMP - SHORT	\$1,475	A-2048-0605	REN - HPA A170 B170	\$1,489
A-2033-1166	REN - WAO OMP - LONG	\$1,475	A-2048-0606	REN - HPA A170 B190	\$1,489





# A-2048-0607

Part Number	Description	Price	Part Number	Description	Price
A-2048-0607	REN - HPA A170 B210	\$1,489	A-2048-2337	REN - HPA D120 ASSY A411 B584 DISC	\$3,450
A-2048-0609	REN - HPA A170 B250	\$1,489	A-2048-2350	REN - HPA D120/TS20/ADAPTOR/RE CONV	\$4,750
A-2048-0611	REN - HPA A170 B290	\$1,489	A-2048-2382	REN - HPA A430 B210 (HI TT65)	\$1,489
A-2048-0614	REN - HPA A190 B130	\$1,489	A-2048-2637	REN - HPA ARM A720 B451 25 D120 W/P	\$1,489
A-2048-0616	REN - HPA A190 B170	\$1,489	A-2048-2646	REN - D120 HPA A377 B330 TS20 - MI5	\$4,455
A-2048-0623	REN - HPA A210 B90	\$1,489	A-2048-3208	REN - HPA LEVER KIT (MS) CAST BLK M	\$70
A-2048-0624	REN - HPA A210 B110	\$1,489	A-2049-0001	REN - PROBE EMULATOR OPTICAL TRANS	\$60
A-2048-0625	REN - HPA A210 B130 (HI GT)	\$1,489	A-2051-4576	REN - MP1S PROBE (WITH SEAL)	\$2,751
A-2048-0631	REN - HPA A210 B250	\$1,489	A-2051-4577	REN - MP1R PROBE (WITH SEAL)	\$2,751
A-2048-0632	REN - HPA A210 B270	\$1,489	A-2051-4777	REN - PMB1-2 MOUNTING BLOCK	\$392
A-2048-0637	REN - HPA A230 B150	\$1,489	A-2051-7080	REN - MA1 PROBE ADAPTOR	\$342
A-2048-0639	REN - HPA A230 B190	\$1,489	A-2051-7105	REN - OUTER DIAPHRAGM KIT (MP1)	\$85
A-2048-0644	REN - HPA A230 B290	\$1,489	A-2051-7146	REN - MA1/R ADAPTOR	\$342
A-2048-0645	REN - HPA A250 B90 (HI GT27)	\$1,489	A-2051-7686	REN - BUNG & SHORTING LEMO KIT	\$85
A-2048-0647	REN - HPA A250 B130 (HI T42)	\$1,489	A-2051-7691	REN - GE VTL MOUNTING BLOCK KIT	\$392
A-2048-0648	REN - HPA A250 B150	\$1,489	A-2053-5018	REN - MH3 HOUSING	\$342
A-2048-0651	REN - HPA A250 B210	\$1,489	A-2053-5358	REN - MP3 PROBE	\$2,878
A-2048-0652	REN - HPA A250 B230	\$1,489	A-2053-5795	REN - ARM FOR MP3/500 SM	\$392
A-2048-0653	REN - HPA A250 B250	\$1,489	A-2053-6466	REN - MOUNTING BLOCK	\$441
A-2048-0655	REN - HPA A250 B290	\$1,489	A-2053-6468	REN - COVER FOR MOUNTING BLOCK SM	\$128
A-2048-0659	REN - HPA A270 B150	\$1,489	A-2053-6703	REN - MH3 HOUSING	\$342
A-2048-0660	REN - HPA A270 B170	\$1,489	A-2053-7285	REN - PROBE MOUNTING BLOCK	\$408
A-2048-0664	REN - HPA A270 B250	\$1,489	A-2053-7286	REN - MEH3-1 EXTENSION HOUSING 150M	\$419
A-2048-0666	REN - HPA A270 B290	\$1,489	A-2053-7287	REN - MEH3-2 EXTENSION HOUSING 300M	\$475
A-2048-0667	REN - HPA A290 B90	\$1,489	A-2053-7531	REN - TK1 TOOL KIT	\$34
A-2048-0669	REN - HPA A290 B130	\$1,489	A-2053-7553	REN - MH3 HOUSING	\$342
A-2048-0672	REN - HPA A290 B190	\$1,489	A-2053-8156	REN - OUTER DIAPHRAGM KIT (MP3)	\$85
A-2048-0673	REN - HPA A290 B210	\$1,489	A-2053-8275	REN - MP3 3-WAY MNTG BLOCK HARDWARE	\$525
A-2048-0675	REN - HPA A290 B250	\$1,489	A-2053-8413	REN - MP3 3-WAY MNTG BLOCK UNIVERSA	\$525
A-2048-0676	REN - HPA A290 B270	\$1,489	A-2053-8434	REN - MH3 HOUSING W/LEMO	\$629
A-2048-0680	REN - HPA A310 B150	\$1,489	A-2053-8778	REN - SHANK ADAPTOR MP10/MP3 IND	\$250
A-2048-0682	REN - HPA A310 B190	\$1,489	A-2053-8834	REN - D120 HPA/MP3 ADAPTOR ASSEMBLY	\$940
A-2048-0683	REN - HPA A310 B210	\$1,489	A-2053-8851	REN - MODIFIED 300MM MP3 EXTENSION	\$1,155
A-2048-0685	REN - HPA A310 B250	\$1,489	A-2054-3968	REN - MP4 PROBE	\$3,126
A-2048-0688	REN - HPA A330 B130	\$1,489	A-2054-6373	REN - MP4 REAR EXIT	\$3,126
A-2048-0689	REN - HPA A330 B150	\$1,489	A-2056-0005	REN - MI14 MI16 PANEL MOUNT KIT	\$101
A-2048-0693	REN - HPA A330 B230	\$1,489	A-2056-0274	REN - CAT50 MP14 RMP-S SHANK ASSY (	\$704
A-2048-0694	REN - HPA A350 B90	\$1,489	A-2056-0277	REN - CAT60 MP14 RMP-S SHANK ASSY	\$1,050
A-2048-0696	REN - HPA A350 B130	\$1,489	A-2056-0290	REN - CAT40 MP14 RMP-S SHANK ASSY	\$656
A-2048-0697	REN - HPA A350 B150	\$1,489	A-2056-0322	REN - RMM EXTENSION CABLE 10M	\$98
A-2048-0698	REN - HPA A350 B170	\$1,489	A-2056-0360	REN - MP14 MP16 RMM ANTENNA 224MHZ	\$292
A-2048-0699	REN - HPA A350 B190	\$1,489	A-2056-0361	REN - HSK B63 MP14S SHANK DIN69893	\$1,532
A-2048-0700	REN - HPA A350 B210	\$1,489	A-2056-0387	REN - BT50 MP14 RMP-S SHANK ASSY	\$656
A-2048-1111	REN - HPA A127 B115	\$1,819	A-2056-0401	REN - 224MHZ MI14 INTERFACE CH1	\$1,558
A-2048-1114	REN - HPA A170 B63 C157 (HI SPCL)	\$1,890	A-2056-0402	REN - 224MHZ MI14 INTERFACE CH2	\$1,558
A-2048-1151	REN - HPA ROLLER HOUSING ASSEMBLY	\$394	A-2056-0403	REN - 224MHZ MI14 INTERFACE CH3	\$1,558
A-2048-1172	REN - HPA C97 (HI T42 SPCL)	\$1,309	A-2056-0404	REN - 224MHZ MI14 INTERFACE CH4	\$1,558
A-2048-1175	REN - HPA A364 B130 (HI T42 SPCL)	\$1,382	A-2056-0405	REN - 224MHZ MI14 INTERFACE CH5	\$1,558
A-2048-1176	REN - HPA SPACER 105MM	\$160	A-2056-0406	REN - 224MHZ MI14 INTERFACE CH6	\$1,558
A-2048-1179	REN - HPA RP1 RP2 ADAPTOR L37	\$266	A-2056-0407	REN - 224MHZ MI14 INTERFACE CH7	\$1,558
A-2048-1191	REN - HPA RP1 RP2 ADAPTOR L46	\$266	A-2056-0408	REN - 224MHZ MI14 INTERFACE CH8	\$1,558
A-2048-1204	REN - HPA A426 B183	\$1,817	A-2056-0409	REN - 224MHZ MI14 INTERFACE CH9	\$1,558
A-2048-1212	REN - HPA A270 B170 S200 (COL)	\$5,404	A-2056-0410	REN - 224MHZ MI14 INTERFACE CH10	\$1,558
A-2048-1238	REN - HPA A330 B270	\$1,945	A-2056-0411	REN - 224MHZ MI14 INTERFACE CH11	\$1,558
A-2048-1241	REN - HPA RP1 RP2 90 DEG ADAP L31.5	\$399	A-2056-0412	REN - 224MHZ MI14 INTERFACE CH12	\$1,558
A-2048-1252	REN - HPA RP1 RP2 ADAPTOR L42	\$266	A-2056-0413	REN - 224MHZ MI14 INTERFACE CH13	\$1,558
A-2048-1256	REN - HPA RP1 RP2 90 DEG ADAP L18	\$399	A-2056-0933	REN - ADAPTOR RMP/RMP2/360/WAO TO M	\$203
A-2048-1266	REN - HPA RP1 RP2 90 DEG ADAP L45	\$399	A-2056-0979	REN - ADAPTOR RMP/RMP2/360/WAO TO M	\$203
A-2048-1271	REN - HPA C467	\$1,450	A-2056-0984	REN - BT40 MP14 RMP-S SHANK ASSY	\$656
A-2048-1310	REN - HPA ARM A455 B255	\$2,173	A-2056-0985	REN - CAT50 MP14 RMP-S SHANK ASSY	\$656
A-2048-1325	REN - HPA BASE S/E CABLE/CAM SWAP 1	\$868	A-2056-1025	REN - HSK A80 MP14S SHANK W/ SWITCH	\$3,367
A-2048-1328	REN - 90 DEGREE RP2 HOLDER (HESSAP)	\$399	A-2056-1101	REN - 173MHZ MI14 INTERFACE CH1	\$1,558
A-2048-1333	REN - HPA C457 90 DEGREE RP1 HOLDER	\$1,489	A-2056-1102	REN - 173MHZ MI14 INTERFACE CH2	\$1,558
A-2048-1356	REN - TS32/TS32R HPA BASE AND COVER	\$375	A-2056-1103	REN - 173MHZ MI14 INTERFACE CH3	\$1,558
A-2048-1360	REN - HPA A230 B150 S80,100,110(COL)	\$5,404	A-2056-1104	REN - 173MHZ MI14 INTERFACE CH4	\$1,558
A-2048-1381	REN - HPA A305 B205 KLONTEC	\$4,275	A-2056-1131	REN - 173MHZ RMP-S SWITCH TYPE CH1	\$2,851
A-2048-1410	REN - HPA C285/RP2 (HESSAP)	\$1,730	A-2056-1132	REN - 173MHZ RMP-S SWITCH TYPE CH2	\$2,851
A-2048-1456	REN - HPA A330 B180 (HI CL51/65)	\$1,489	A-2056-1133	REN - 173MHZ RMP-S SWITCH TYPE CH3	\$2,851
A-2048-1572	REN - HPA A359 B185 (HI T51/65)	\$1,418	A-2056-1134	REN - 173MHZ RMP-S SWITCH TYPE CH4	\$2,851
A-2048-2031	REN - HPA BASE R/E 120MM (MS)	\$695	A-2056-1140	REN - MP14 173MHZ RMM ANTENNA	\$292
A-2048-2034	REN - HPA STORAGE STAND 120MM (MS)	\$276	A-2056-1221	REN - 224MHZ RMP-T TIME OUT CH1	\$2,727
A-2048-2041	REN - HPA BASE R/E 85MM (MS)	\$695	A-2056-1222	REN - 224MHZ RMP-T TIME OUT CH2	\$2,727
A-2048-2044	REN - HPA STORAGE STAND 85MM (MS)	\$276	A-2056-1231	REN - 224MHZ RMP-S SWITCH TYPE CH1	\$2,727
A-2048-2180	REN - HPA A353 B300 SL150 (MS)	\$1,489	A-2056-1232	REN - 224MHZ RMP-S SWITCH TYPE CH2	\$2,727
A-2048-2181	REN - HPA A385 B324 SL200/250 (MS)	\$1,489	A-2056-1233	REN - 224MHZ RMP-S SWITCH TYPE CH3	\$2,727
A-2048-2182	REN - HPA A598 B425 SL300 (MS)	\$1,489	A-2056-1234	REN - 224MHZ RMP-S SWITCH TYPE CH4	\$2,727
A-2048-2183	REN - HPA A214 B270 RH DL150 (MS)	\$1,489	A-2056-1235	REN - 224MHZ RMP-S SWITCH TYPE CH5	\$2,727
A-2048-2184	REN - HPA A214 B270 LH DL150 (MS)	\$1,489	A-2056-1236	REN - 224MHZ RMP-S SWITCH TYPE CH6	\$2,727
A-2048-2185	REN - HPA A275 B280 CL150/200 (MS)	\$1,489	A-2056-1237	REN - 224MHZ RMP-S SWITCH TYPE CH7	\$2,727
A-2048-2186	REN - HPA A400 B250 SL150Y (MS)	\$1,489	A-2056-1238	REN - 224MHZ RMP-S SWITCH TYPE CH8	\$2,727
A-2048-2187	REN - HPA A450 B480 SL400 (MS)	\$1,489	A-2056-1239	REN - 224MHZ RMP-S SWITCH TYPE CH9	\$2,727
A-2048-2200	REN - HPA A470 B324 ZL250 (MS)	\$1,489	A-2056-1240	REN - 224MHZ RMP-S SWITCH TYPE CH10	\$2,727
A-2048-2278	REN - HPA/DATUM FEATURE KIT GE C-46	\$2,586	A-2056-1242	REN - 224MHZ RMP-S SWITCH TYPE CH12	\$2,727
A-2048-2335	REN - HPA D120 SIDE EXIT CONVERTER	\$420	A-2056-1301	REN - 224MHZ RMP-R SPIN ON/OFF CH1	\$2,727

RENEWAL PARTS  
PRICING

D-66



FANUC CNC Parts

Part Number	Description	Price
A-2056-1302	REN - 224MHZ RMP-R SPIN ON/OFF CH2	\$2,727
A-2056-1303	REN - 224MHZ RMP-R SPIN ON/OFF CH3	\$2,727
A-2056-1304	REN - 224MHZ RMP-R SPIN ON/OFF CH4	\$2,727
A-2056-1305	REN - 224MHZ RMP-R SPIN ON/OFF CH5	\$2,727
A-2056-1306	REN - 224MHZ RMP-R SPIN ON/OFF CH6	\$2,727
A-2056-1307	REN - 224MHZ RMP-R SPIN ON/OFF CH7	\$2,727
A-2056-1308	REN - 224MHZ RMP-R SPIN ON/OFF CH8	\$2,727
A-2056-1309	REN - 224MHZ RMP-R SPIN ON/OFF CH9	\$2,727
A-2056-1310	REN - 224MHZ RMP-R SPIN ON/OFF CH10	\$2,727
A-2056-1341	REN - 224MHZ MOD KIT CH1	\$684
A-2056-1342	REN - 224MHZ MOD KIT CH2	\$684
A-2056-1343	REN - 224MHZ MOD KIT CH3	\$684
A-2056-1344	REN - 224MHZ MOD KIT CH4	\$684
A-2056-1345	REN - 224MHZ MOD KIT CH5	\$684
A-2056-1346	REN - 224MHZ MOD KIT CH6	\$684
A-2056-1347	REN - 224MHZ MOD KIT CH7	\$684
A-2056-1348	REN - 224MHZ MOD KIT CH8	\$684
A-2056-1349	REN - 224MHZ MOD KIT CH9	\$684
A-2056-1350	REN - 224MHZ MOD KIT CH10	\$684
A-2056-2008	REN - 224MHZ RMP-R SPIN ON/OFF CH13	\$2,727
A-2056-2024	REN - 224MHZ RMP-S SWITCH TYPE CH13	\$2,727
A-2056-2032	REN - 224MHZ MOD KIT CH13	\$684
A-2056-2042	REN - 224MHZ RMP-R SPIN ON/OFF CH11	\$2,727
A-2056-2043	REN - 224MHZ RMP-R SPIN ON/OFF CH12	\$2,727
A-2056-2046	REN - 224MHZ RMP-S SWITCH TYPE CH11	\$2,727
A-2056-2047	REN - 224MHZ RMP-S SWITCH TYPE CH12	\$2,727
A-2056-2048	REN - 224MHZ MOD KIT CH11	\$684
A-2056-2049	REN - 224MHZ MOD KIT CH12	\$684
A-2056-6014	REN - HSK A100 MP14S SHANK W/ SWITC	\$2,500
A-2056-6017	REN - MAN SWT RMP S MP10 SHNK ADPTOR	\$1,242
A-2056-6029	REN - MP14S/HSK A40 MAN. SWITCH ADP	\$3,369
A-2056-6044	REN - MP14 SH/SW ADAPTOR ASSY	\$2,500
A-2063-5308	REN - FS3 ADJUSTABLE HOLDER	\$221
A-2063-5431	REN - FS2 FEMALE SOCKET	\$127
A-2063-6098-RBE	REN - LP2 REPAIR PROBE	\$1,024
A-2063-6612	REN - LP2 PROBE HOLDER 25MMX15MMX82	\$431
A-2063-6697	REN - FS1 ADJUSTABLE SOCKET	\$127
A-2063-7001	REN - LPE1 EXTENSION 50MM	\$265
A-2063-7002	REN - LPE2 EXTENSION 100MM	\$265
A-2063-7003	REN - LPE3 EXTENSION 150MM	\$265
A-2063-7200	REN - PROBE HOLDER WITH CMP	\$431
A-2063-7291	REN - PROBE HOLDER WITH CMP	\$541
A-2063-7341	REN - PROBE HOLDER W/CMP 108.4MM	\$485
A-2063-7413	REN - LP2 TO TP2 PROBE ADAPTOR	\$524
A-2063-7434	REN - LP2 PROBE HOLDER	\$541
A-2063-7542	REN - PROBE SERVICE KIT (LP2)	\$68
A-2063-7583	REN - MA3-3 ADAPTOR	\$336
A-2063-7587	REN - 'C' SPANNER FOR LP2	\$15
A-2063-7600	REN - MA4 ADAPTOR(90 DEGREE)FOR LTO	\$431
A-2063-7774	REN - COS TO LP2 ADAPTOR	\$560
A-2063-7868	REN - MA2 PROBE HOLDER	\$400
A-2063-7933	REN - FEMALE BUSH ASSEMBLY FOR LP2	\$127
A-2063-7972	REN - FEMALE SOCKET 1.5M CABLE (STU	\$148
A-2063-8014	REN - SPCL FS1 SOCKET 1/8" BSP THREA	\$210
A-2063-8023	REN - LP2DD CONVERTER KIT	\$150
A-2063-8030	REN - LP2DD OUTER DIAPHRAGM O-RING	\$37
A-2063-8038	REN - TOOL DATUMING BASE/LP2DD	\$375
A-2063-8100	REN - GE VTL LP2 EXT SHEET	\$342
A-2063-8121	REN - FS2 SOCKET/CONNECTOR ASSY 1.5	\$475
A-2063-8126	REN - MA3 TWIN PROBE HOLDER ASSY	\$473
A-2063-8131	REN - LP2 2-WAY MA4 ADAPTOR	\$471
A-2063-8148	REN - H/W LP2 ADAPTOR	\$551
A-2063-8150	REN - TRANS PLATE ASSY MP10 MTG/MA1	\$468
A-2063-8162	REN - LP2/MP4 ADJ MODULE	\$609
A-2063-8187	REN - FS1 SOCKET 1/8 BSP L1 5 METER	\$210
A-2063-8223	REN - FS3 ASSY WITH PUR CABLE	\$438
A-2063-8233	REN - LP2 EXTENSION KIT	\$497
A-2063-8241	REN - LPE EXTENSION L300MM	\$706
A-2063-8326	REN - LP2 .75IN SHANK W/ FS2 AND CA	\$1,136
A-2063-8328	REN - LP2 1IN SHANK W/ FS2 AND CABL	\$1,136
A-2063-8366	REN - LP2 22MM SHANK W/FS2 AND CABL	\$1,136
A-2064-0032	REN - LP2HDD PROBE	\$2,751
A-2065-0001	REN - JCP1 JOB CONTACT PROBE INCH	\$314
A-2066-0001	REN - JCP1 JOB CONTACT PROBE METRIC	\$314
A-2069-0001	REN - JC10E JC PROBE CONDUCTIVE	\$765
A-2072-0002	REN - OMM-C ASSEMBLY	\$965
A-2075-0009	REN - MP12 PROBE	\$2,473
A-2075-0141	REN - MI12 BOARD ONLY INTERFACE	\$741
A-2075-0142	MI12 INTERFACE	\$865
A-2075-0144	REN - TOOL KIT	\$25
A-2075-0252	REN - MI12 INTERFACE DIN RAIL MNT W	\$865
A-2075-0255	REN - MI12 PWB C/W LABEL & FITTINGS	\$741
A-2075-0290	REN - MP12 L1250	\$5,118
A-2075-0293	REN - MP12 L1000	\$5,118

Part Number	Description	Price
A-2075-0316	REN - MP12 D500,750 A/S500-1000	\$5,118
A-2075-0317	REN - MP12 L1000-2000 A/S1250-2000	\$5,118
A-2075-0323	REN - MI12E INTERFACE HIGH POWER	\$908
A-2079-0001	REN - JC20M PROBE SIDE CABLE CONNIN	\$426
A-2079-0021	REN - JCP FAGOR INTEGRAL CABLE	\$510
A-2079-0027	REN - JC30C PROBE KIT	\$510
A-2079-0033	REN - JCP1 DIA .7871 SHANK 2 STYLU	\$545
A-2084-0500	REN - MI5 BOARD ONLY (SSR)	\$463
A-2085-0075	REN - MP10 OMP ONLY 35 DEGREE	\$654
A-2085-0076	REN - MP10 OMP ONLY 70 DEGREE	\$654
A-2085-0096	REN - MP10E PROBE 70 DEGREE HI POWE	\$3,710
A-2098-0013	REN - CABLE ASSY-SP600-FLYING LEAD	\$250
A20B-0003-0744	PCB	\$10,314
A20B-0004-0170	PCB,	\$4,485
A20B-0005-0080	PCB, PRE AMP UNIT	\$330
A20B-0005-0570	PCB	\$974
A20B-0005-0581	PCB, DC AMP	\$5,237
A20B-0005-0711	PCB, F7	\$8,106
A20B-0007-0010	PCB	\$8,265
A20B-0007-0030	PCB	\$367
A20B-0007-0070	PCB, F/S6	\$1,578
A20B-0007-0090	PCB	\$2,140
A20B-0007-0340	PCB	\$369
A20B-0007-0360	PCB, DC SERVO CONTROL	\$2,664
A20B-0007-0361	PCB, DC SERVO	\$2,211
A20B-0007-0440	PCB,	\$1,530
A20B-0007-0441	PCB, KEYBOARD	\$1,412
A20B-0007-0750	PCB, PHOTO AMP	\$298
A20B-0008-0030	PCB, AC SPINDLE ANAL	\$986
A20B-0008-0031	PCB, AC SPINDLE ANAL	\$979
A20B-0008-0032	PCB, SPINDLE ORIENT	\$731
A20B-0008-0033	PCB, SPINDLE ORIENT	\$726
A20B-0008-0240	PCB, AC SPINDLE ANAL	\$1,095
A20B-0008-0241	PCB, AC SPINDLE ANAL	\$1,184
A20B-0008-0242	PCB, SPINDLE ORIENT	\$963
A20B-0008-0243	ORIENT PCB	\$1,050
A20B-0008-0244	ORIENT PCB AHR11	\$968
A20B-0008-0245	ORIENT PCB BHR11	\$1,061
A20B-0008-0280	PCB, RS232C INTERFAC	\$781
A20B-0008-0371	PCB	\$5,692
A20B-0008-0410	PCB,F6B	\$6,967
A20B-0008-0430	PCB,4 SLOT W/O MMCIV	\$1,651
A20B-0008-0440	PCB	\$1,721
A20B-0008-0461	PCB, S6	\$2,436
A20B-0008-0480	PCB,	\$954
A20B-0008-0500	PCB S6TC	\$1,018
A20B-0008-0540	PCB, S6	\$3,210
A20B-0008-0630	PCB	\$1,138
A20B-0008-0640	PCB	\$995
A20B-0008-0912	PCB, FS9	\$2,163
A20B-0009-0114	PCB	\$1,091
A20B-0009-0115	PCB	\$1,168
A20B-0009-0116	PCB	\$1,268
A20B-0009-0117	PCB	\$1,339
A20B-0009-0124	PCB	\$1,091
A20B-0009-0125	PCB	\$1,339
A20B-0009-0126	PCB	\$1,566
A20B-0009-0127	PCB	\$1,806
A20B-0009-0320	PCB, VCU	\$1,913
A20B-0009-0460	POWER SUPPLY UNIT	\$3,597
A20B-0009-0470	POWER SUPPLY UNIT	\$492
A20B-0009-0520	PCB, AC SPINDLE ANAL	\$1,232
A20B-0009-0521	PCB, SPINDLE	\$902
A20B-0009-0530	PCB, ANALOG SPINDLE	\$5,783
A20B-0009-0531	PCB, ANALOG SPINDLE	\$5,783
A20B-0009-0532	PCB, ANALOG SPINDLE	\$5,783
A20B-0009-0533	PCB, ANALOG SPINDLE	\$5,783
A20B-0009-0534	PCB, ANALOG SPINDLE	\$5,783
A20B-0009-0538	PCB SPINDLE DRIVE ANALOG	\$5,783
A20B-0009-0539	PCB, VCU 22H	\$5,783
A20B-0009-0892	PCB	\$1,817
A20B-0009-0930	PCB, ANALOG SPINDLE	\$7,035
A20B-0010-0130	PCB	\$2,687
A20B-1000-0010	PCB, DISPLAY BD/POS DISPLAY	\$220
A20B-1000-0131	PCB, KEYBOARD F/S6	\$1,423
A20B-1000-0134	PCB,	\$965
A20B-1000-0180	POWER SUPPLY UNIT	\$2,300
A20B-1000-0190	PPR POWER SOURCE PCB 100VAC	\$842
A20B-1000-0191	PPR POWER SOURCE PCB 200VAC	\$865
A20B-1000-0200	PPR CONTROL PCB	\$1,022
A20B-1000-0290	PCB, SERVO	\$99
A20B-1000-0340	PCB, CRT C/MOD D	\$918
A20B-1000-0370	PCB, MDI DPL/MOD B	\$1,316
A20B-1000-0371	PCB, MDI & DPL/MOD C	\$1,316

# A20B-1000-0400

Part Number	Description	Price	Part Number	Description	Price
A20B-1000-0400	PCB, POWER SUPPLY	\$879	A20B-1001-0723	PCB,F/EL UNIT SOFTKEY	\$50
A20B-1000-0460	PCB, AC SPINDLE ANAL	\$1,566	A20B-1001-0730	I/O CARD B1	\$1,906
A20B-1000-0461	PCB, AC SPINDLE ANAL	\$1,651	A20B-1001-0731	ADD'L I/O MODULE B2	\$1,906
A20B-1000-0462	PCB, SPINDLE ORIENT	\$1,009	A20B-1001-0740	PCB, ROM CASSETTE ADAPTER	\$110
A20B-1000-0463	PCB, SPINDLE ORIENT	\$1,082	A20B-1001-0770	PCB, ANALOG SERVO 3	\$5,419
A20B-1000-0470	POWER SUPPLY S6	\$774	A20B-1001-0800	PCB, ORDER MADE MACR	\$139
A20B-1000-0472	LASER POWER SUPPLY, PCB	\$763	A20B-1001-0801	ORDER MADE MACRO 64K	\$132
A20B-1000-0473	PCB, 24V 2.5A PWR SU	\$704	A20B-1001-0820	PCB, CRT/MDI SWITCH	\$615
A20B-1000-0480	PCB, GRAPHIC CONTROL F6B	\$3,370	A20B-1001-0830	PCB, MAIN CPU, CRT	\$2,709
A20B-1000-0550	PCB, MPC-2 SUB CPU	\$3,597	A20B-1001-0840	PCB, SUB CPU, CRT	\$2,709
A20B-1000-0560	PCB, ANALOG SERVO 1	\$2,527	A20B-1001-0860	PCB, ROM/512KB, CRT	\$897
A20B-1000-0582	pcb	\$3,939	A20B-1001-0871	PCB, ROM 1M W/O EPROM	\$369
A20B-1000-0590	PCB, ANALOG SERVO 1	\$1,651	A20B-1001-0880	PCB, RAM/128KB, CRT	\$1,182
A20B-1000-0600	PCB, AC SV DIG PWR C	\$1,530	A20B-1001-0881	PCB, RAM/256KB, CRT	\$1,025
A20B-1000-0650	PCB, ACSP	\$2,596	A20B-1001-0882	PCB, RAM/512KB, CRT	\$1,494
A20B-1000-0651	PCB	\$804	A20B-1001-0901	FLOPPY INTERFACE	\$444
A20B-1000-0653	PCB, OUTPUT SW CONT CKT	\$417	A20B-1001-0910	PCB, BBL MEM. 1MB, C	\$7,445
A20B-1000-0690	PCB, MASTER	\$5,168	A20B-1001-0911	PCB, BBL MEM 512KB,	\$4,622
A20B-1000-0691	PCB, F/SPINDLE	\$5,168	A20B-1001-0920	PCB, BACK PANEL, CRT	\$410
A20B-1000-0692	PCB, ANALOG SPINDLE	\$5,168	A20B-1001-0930	POWER SUPPLY, CRT/MD	\$1,157
A20B-1000-0693	PCB, MODEL 12	\$5,168	A20B-1001-0961	PROBE ADAPTER	\$232
A20B-1000-0700	PCB, ANALOG SPINDLE	\$5,237	A20B-1002-0060	PCB, FLOPPY DISK UNIT	\$135
A20B-1000-0701	PCB, ANALOG SPINDLE	\$5,237	A20B-1002-0080	ADD'L I/O BD F1 104/72 (CE)	\$1
A20B-1000-0750	PCB, ID99A	\$719	A20B-1002-0110	ROM FILE ADAPT-CRT	\$119
A20B-1000-0751	PCB, ID99B	\$719	A20B-1002-0130	PCB, PWR SOURCE 100V	\$1,806
A20B-1000-0760	PCB, ID99A	\$1,018	A20B-1002-0131	PCB, PWR SOURCE 200V	\$1,794
A20B-1000-0770	POWER SUPPLY	\$2,527	A20B-1002-0150	PCB, CONTROL	\$4,918
A20B-1000-0800	PCB, CONTROLLER, CRT	\$1,327	A20B-1002-0160	PCB, SUB	\$2,937
A20B-1000-0802	PCB, CONTROL	\$1,268	A20B-1002-0180	PCB, MAIN CONTROL	\$3,666
A20B-1000-0830	M KYBD-9" CRT	\$772	A20B-1002-0190	PCB, SUB CONTROL	\$1,555
A20B-1000-0831	T KYBD 9" CRT	\$1,061	A20B-1002-0200	PCB, ROM INTERFACE	\$389
A20B-1000-0832	PCB, KEYBOARD F/12M	\$1,061	A20B-1002-0260	PCB, POWER	\$1,471
A20B-1000-0840	HOR SOFT KEY- 9" CRT	\$68	A20B-1002-0280	PCB, CONTROL 3 AXIS	\$2,937
A20B-1000-0841	VERT SOFT KEY-9" CRT	\$70	A20B-1002-0290	ADAPTER F/DETECTOR P	\$332
A20B-1000-0842	PCB, SOFT KEY	\$69	A20B-1002-0300	PCB,CASSETTE	\$157
A20B-1000-0851	PCB SERIES 12	\$2,732	A20B-1002-0301	ORDER MADE MACRO 128	\$212
A20B-1000-0852	PCB, CONTROL CRT/MDI	\$2,846	A20B-1002-0310	ADD'L I/O BD F1 104/72 (CE)	\$1,334
A20B-1000-0870	CRT - HOR KEYBD - M	\$845	A20B-1002-0320	SOFTKEY, 14" CRT HORTZ	\$74
A20B-1000-0871	CRT-HOR KEYBD-T	\$1,134	A20B-1002-0330	PCB, MACRO EXEC CASS 256KB	\$116
A20B-1000-0872	PCB, KEYBOARD	\$1,134	A20B-1002-0331	PCB, MACRO CASS 512KB	\$184
A20B-1000-0880	CRT-VERT-KEYBD-M	\$897	A20B-1002-0332	PCB, MACRO EXEC CASS 512KB	\$183
A20B-1000-0881	CRT-VERT KEYBD-T	\$1,189	A20B-1002-0340	PCB, ROM FILE F/00	\$776
A20B-1000-0882	KEYBOARD	\$1,132	A20B-1002-0341	PCB,MMC ROM FILE 2 MB	\$421
A20B-1000-0890	PCB, SOFT KEY, HOR	\$110	A20B-1002-0350	SOFT KEYBOARD	\$84
A20B-1000-0891	PCB, CRT-VERT SOFT K	\$111	A20B-1002-0360	PCB, MASTER 16 BIT	\$2,224
A20B-1000-0900	PCB, CONTROL 1, CRT/	\$3,415	A20B-1002-0460	DPL/MDI/MOD E	\$355
A20B-1000-0910	PCB, PMC CASSETTE A	\$362	A20B-1002-0500	PCB, AC SERVO DIG 1	\$437
A20B-1000-0913	PCB, INT. CONVERTER	\$364	A20B-1002-0510	PCB, BACK PANEL	\$105
A20B-1000-0920	PCB, PMC CASSETTE B	\$364	A20B-1002-0680	PWR SUPPLY,5V/11A,55W,AC INPUT	\$608
A20B-1000-0921	PCB, PC ROM	\$282	A20B-1002-0710	PCB, SUB CPU MMC LEV	\$2,937
A20B-1000-0940	CONNECTION UNIT 1	\$1,831	A20B-1002-0730	PCB, DIGITAL SERVO 1	\$490
A20B-1000-0950	CONNECTION UNIT 2	\$1,831	A20B-1002-0740	PCB, DIG AC SV PWR CNTRL	\$1,220
A20B-1000-0970	PCB, BACKBOARD, CRT/	\$230	A20B-1002-0780	PCB, MAIN CONTROLLER	\$1,566
A20B-1000-0990	PCB, CONTROL 2, CRT/	\$774	A20B-1002-0790	PCB, POWER SUPPLY	\$1,091
A20B-1001-0050	PCB, REEL CONTROL	\$2,391	A20B-1002-0791	PCB, POWER SUPPLY	\$1,091
A20B-1001-0060	PCB, KEYBOARD, TAPE	\$214	A20B-1002-0800	PCB, SWITCH UNIT	\$408
A20B-1001-0090	PCB, KEYBOARD T	\$553	A20B-1002-0901	PCB, CONTROLLER CRT/MDI	\$2,687
A20B-1001-0091	PCB, KEYBOARD M	\$569	A20B-1002-0902	PCB, CRT CONTROLLER S11	\$3,301
A20B-1001-0120	PCB, DIG AC SPINDLE	\$3,529	A20B-1003-0010	PCB, Spindle Control	\$3,643
A20B-1001-0160	POWER SUPPLY UNIT, C	\$1,029	A20B-1003-0020	PCB,SPINDLE WIRING BOARD	\$1,118
A20B-1001-0170	PCB	\$5,464	A20B-1003-0030	PCB, DIGITAL SERVO 1	\$1,614
A20B-1001-0180	PCB	\$499	A20B-1003-0080	PCB, PWR CNTRL DIG-S	\$993
A20B-1001-0200	PCB, KEYBOARD, CRT/M	\$990	A20B-1003-0081	PCB, PWR CNTRL DIG-S	\$974
A20B-1001-0210	PCB, F/ADD POWER UNI	\$510	A20B-1003-0084	PCB, SERVO	\$945
A20B-1001-0240	PWA (I/O D1)	\$610	A20B-1003-0090	PCB, DIG-SV 1 AXIS T	\$1,079
A20B-1001-0241	PWA (I/O D2)	\$1,220	A20B-1003-0120	PCB, SPINDLE AMP	\$1,985
A20B-1001-0242	PWA (I/O D3)	\$1,831	A20B-1003-0121	PCB,AC SPINDLE	\$1,555
A20B-1001-0250	PCB 3, PMC WRITER	\$970	A20B-1003-0140	PCD, PWR CNTRL DIG-S	\$799
A20B-1001-0270	PCB	\$943	A20B-1003-0141	PCB, PWR CNTRL DIG-SV	\$749
A20B-1001-0290	PCB SWITCH UNIT	\$706	A20B-1003-0170	PCB,F/AQ2B-0118-C032/C033	\$127
A20B-1001-0340	PCB, SWITCH UNIT CASS ADAPT 3	\$54	A20B-1003-0200	CONN UNIT 2 I/O 96/64 (CE)	\$2,505
A20B-1001-0370	PCB	\$1,000	A20B-1003-0230	PCB, CNTRL UNIT F/13 SLOTS	\$1,179
A20B-1001-0410	PCB, PWR CNTRL 1 AXI	\$1,280	A20B-1003-0240	CONN UNIT 1 FOR EXT SETTING	\$2,505
A20B-1001-0420	PCB, ANALOG SERVO 1	\$1,327	A20B-1003-0271	PCB, PWR CNTRL DIG-S	\$1,059
A20B-1001-0430	PCB, (5-0) DIG	\$430	A20B-1003-0274	PCB, PWR CNTRL DIG-S	\$1,066
A20B-1001-0440	PCB, I/O	\$849	A20B-1003-0275	PCB,PWR CONT DIG SV	\$1,009
A20B-1001-0550	PCB,I/O BOARD	\$4,076	A20B-1003-0277	PCB,SERVO	\$1,015
A20B-1001-0580	PCB, PC WRITER	\$1,184	A20B-1003-0300	PCB, AC SPINDLE	\$3,210
A20B-1001-0620	PCB, SERVO DRIVE	\$5,487	A20B-1003-0330	PCB, ADAPTER CRT/MDI	\$66
A20B-1001-0621	PCB,AC SPINDLE CONTROL	\$5,191	A20B-1003-0340	PCB, CRT	\$1,031
A20B-1001-0640	PCB, MPC-2	\$551	A20B-1003-0350	TERM MOD #4 INPUTS 52-68	\$100
A20B-1001-0720	PCB, SOFT KEY F/O	\$53	A20B-1003-0370	PCB, RELAY UNIT	\$371
A20B-1001-0721	SOFTKEY	\$55	A20B-1003-0380	RELAY BOARD #4 31-40	\$371
A20B-1001-0722	SOFTKEY	\$48	A20B-1003-0381	PCB, RELAY MODULE	\$435

RENEWAL PARTS  
PRICING

D-68



FANUC CNC Parts

Part Number	Description	Price	Part Number	Description	Price
A20B-1003-0382	PCB,RELAY MODULE	\$185	A20B-1004-0863	PCB, POWER CIRCUIT	\$2,641
A20B-1003-0460	PCB, TOOL DISPLAY	\$117	A20B-1004-0864	PCB POWER CIRCUIT C-SERVO	\$2,641
A20B-1003-0470	PCB, TOOL DISPLAY	\$86	A20B-1004-0865	PCB, POWER CIRCUIT	\$2,641
A20B-1003-0500	PCB, GRAPHIC CPU 15TT-F	\$663	A20B-1004-0866	PCB, POWER CIRCUIT	\$2,664
A20B-1003-0550	PCB, SPINDLE CONTROL CIRCUIT	\$3,552	A20B-1004-0870	PCB,POWER CIRCUIT	\$2,641
A20B-1003-0580	PMC CASSETTE C 16,000 STEPS	\$111	A20B-1004-0871	PCB,POWER CIRCUIT	\$2,641
A20B-1003-0590	PCB, MPC-2 INTERFACE	\$544	A20B-1004-0872	PCB,POWER CIRCUIT	\$2,641
A20B-1003-0610	PCB, CNTRL UNIT F/7 SLOTS	\$2,020	A20B-1004-0881	PCB,POWER S SERVO	\$888
A20B-1003-0611	PCB, CNTRL UNIT F/7 SLOTS	\$1,780	A20B-1004-0882	PCB, PWR CNTRL DIG-S	\$888
A20B-1003-0612	PCB, CNTRL UNIT F/7 SLOTS	\$1,482	A20B-1004-0883	PCB,POWER DIG S SERVO	\$888
A20B-1003-0620	PCB, CNTRL UNIT F/9 SLOTS	\$2,224	A20B-1004-0884	PCB, POWER CIRCUIT DIG SERVO	\$893
A20B-1003-0621	PCB, CNTRL UNIT F/9 SLOTS	\$2,045	A20B-1004-0910	PCB, KEY BOARD	\$145
A20B-1003-0622	PCB, CNTRL UNIT F/9 SLOTS	\$1,758	A20B-1004-0911	PCB,KEY BD HANDY FILE BLT-IN	\$146
A20B-1003-0640	PMC CASSETTE 8000 STEPS	\$117	A20B-1004-0940	PCB,SERVO TEST INTERFACE	\$46
A20B-1003-0641	PMC CASSETTE B 16000 STEPS	\$128	A20B-1004-0960	PCB, POWER SUPPLY	\$373
A20B-1003-0680	PMC CASSETTE D 16000 STEPS	\$179	A20B-1005-0010	PCB, SOFT KEY	\$66
A20B-1003-0690	PCB, TC OPTION	\$1,316	A20B-1005-0011	PCB,SOFTKEY BOARD	\$64
A20B-1003-0760	USE A20B-2000-0480 WHEN OUT	\$2,459	A20B-1005-0050	PCB, POWER CIRCUIT C-SERVO	\$2,709
A20B-1003-0770	CRT/MDS SWITCH	\$469	A20B-1005-0120	POWER SUPPLY 24V 2.5A	\$174
A20B-1003-0810	PCB, CONTROL UNIT G1	\$1,132	A20B-1005-0124	PWR SUPPLY 24V	\$280
A20B-1003-0830	PCB,PWR CONT DIG SV	\$1,232	A20B-1005-0150	PCB,CRT LINK	\$40
A20B-1003-0861	PCB, 3 AXIS AMPLIFIER	\$1,434	A20B-1005-0190	PCB, WIRING BOARD SERIAL SPNDL	\$781
A20B-1003-0862	PCB, 3 AXIS AMPLIFIER	\$1,507	A20B-1005-0191	PCB, WIRING BOARD SERIAL SPNDL	\$708
A20B-1003-0863	PCB, 3 AXIS AMPLIFIER	\$1,434	A20B-1005-0210	PCB,POWER CIRCUIT	\$3,210
A20B-1003-0864	PCB, 3 AXIS AMPLIFIER	\$1,434	A20B-1005-0220	PCB,INPUT CIRCUIT	\$533
A20B-1003-0890	CRT/MDI SWITCH SINGLE SML KEY	\$396	A20B-1005-0270	SubCPU Bus Board	\$59
A20B-1003-0891	CRT/MDI SWITCH SINGLE FULL KEY	\$401	A20B-1005-0310	CONN UNIT 1 I/O 96/64 (CE)	\$2,505
A20B-1003-0920	PCB, SERIAL SPINDLE 16 BIT	\$3,461	A20B-1005-0340	PCB	\$54
A20B-1003-0960	PCB, PWR CONT DIG SV	\$1,555	A20B-1005-0420	PCB,POWER SUPPLY S20	\$503
A20B-1003-0961	PCB,POWER CONTROL	\$1,555	A20B-1005-0421	PCB, POWER SUPPLY 5V,5.4A	\$396
A20B-1004-0080	PCB, LASER SUB INTERFACE	\$863	A20B-1005-0570	PCB, POWER SPINDLE AMP	\$1,104
A20B-1004-0160	PCB, SWITCH UNIT F/MPG	\$129	A20B-1005-0571	PCB, POWER SPINDLE AMP	\$1,104
A20B-1004-0161	PCB,SWITCH UNIT F/MPG	\$135	A20B-1005-0572	PCB, POWER SPINDLE AMP	\$1,104
A20B-1004-0221	1PCB RELAY MODULE	\$414	A20B-1005-0573	PCB, POWER SPINDLE AMP	\$1,157
A20B-1004-0230	PCB,AC SPINDLE DRIVE	\$2,641	A20B-1005-0574	PCB, POWER SPINDLE AMP	\$1,104
A20B-1004-0240	PCB,OPTICAL I/O LINK ADAPTER	\$118	A20B-1005-0590	PCB,POWER SUPPLY	\$1,104
A20B-1004-0270	PCB, BKPLANE S15 CONT UNIT F1	\$1,519	A20B-1005-0592	PCB,POWER 'D' SERIES SV	\$1,104
A20B-1004-0300	PCB, RELAY	\$269	A20B-1005-0630	PCB,CONTROL UNIT 15ME	\$1,375
A20B-1004-0301	PCB, RELAY MODULE	\$305	A20B-1005-0740	PCB, CHECK BOARD	\$278
A20B-1004-0302	PCB, RELAY MODULE	\$282	A20B-1005-0830	PCB, BACKPLANE	\$1,068
A20B-1004-0310	PCB, RELAY	\$218	A20B-1005-0940	PCB,F/CONTROL UNIT 13 SLOT	\$1,068
A20B-1004-0311	PCB, RELAY MODULE	\$264	A20B-1005-0950	PCB,SOFT KEY BOARD	\$103
A20B-1004-0312	PCB, RELAY MODULE	\$232	A20B-1006-0050	LASER PSU MOFET MODULE PCB	\$172
A20B-1004-0360	PCB, CONTROL POS. DISPLAY	\$631	A20B-1006-0060	PCB, LASER	\$1,088
A20B-1004-0380	9" CRT DUAL CRT	\$767	A20B-1006-0070	STEPUP TRANSFORMER PCB	\$1,316
A20B-1004-0381	14" CRT SW PCB 1 CRT/2 CNC	\$767	A20B-1006-0071	STEPUP TRANSFORMER PCB	\$1,195
A20B-1004-0382	9" CRT DUAL CNC	\$767	A20B-1006-0110	PCB,	\$2,129
A20B-1004-0383	14" CRT DUAL CNC	\$767	A20B-1006-0140	PCB,ISA EXT UNIT BKPLANEMMCIV	\$128
A20B-1004-0410	PCB,FOR POWER MATE A	\$729	A20B-1006-0260	PCB, BACKPLANE 2 SLOTS S21-TB	\$86
A20B-1004-0450	PCB	\$439	A20B-1006-0270	SOFT KEY	\$48
A20B-1004-0500	ADDITIONAL I/O B3	\$1,906	A20B-1006-0271	PCB,SOFT KEY	\$50
A20B-1004-0501	PCB, ADDITIONAL I/O B4	\$1,507	A20B-1006-0272	PCB, SOFT KEY BOARD 7 KEYS	\$48
A20B-1004-0540	PCB,AC SPINDLE	\$1,949	A20B-1006-0291	PCB, OPER BOX	\$385
A20B-1004-0560	PCB, 2 SLOT S16	\$157	A20B-1006-0470	PCB,ALPHA POWER PSM-15	\$1,029
A20B-1004-0580	PCB, 6 SLOT S16	\$396	A20B-1006-0471	PCB, ALPHA	\$1,050
A20B-1004-0600	PCB, SPINDLE WIRING BOARD	\$820	A20B-1006-0472	ALPHA POWER PCB	\$1,122
A20B-1004-0610	BACK PANEL F/A13B-0157-B001	\$111	A20B-1006-0485	PCB, POWER SPM-	\$1,195
A20B-1004-0620	LCD PANEL POWER SUPPLY	\$69	A20B-1006-0486	PCB, POWER F/SPINDLE -6102-H215	\$817
A20B-1004-0640	PCB, INTERFACE S16	\$505	A20B-1006-0487	PCB 3-POWER CIRCUIT BOARD	\$852
A20B-1004-0650	PCB, RS232C TAPE RDR PWR SUP	\$567	A20B-1006-0488	ALPHA POWER PCB	\$847
A20B-1004-0660	PCB, POWER S16	\$392	A20B-1006-0489	POWER PCB, SPM-30	\$847
A20B-1004-0662	PCB, POWER	\$405	A20B-1006-0490	DIGITAL SERVO TEST BOARD	\$897
A20B-1004-0671	PCB, AC SERVO 5S & 10S/3000	\$1,733	A20B-1006-0612	PCB, POWER PSM	\$1,148
A20B-1004-0672	PCB, AC SERVO 5S & 10S/3000	\$1,913	A20B-1006-0670	SOFTKEY	\$75
A20B-1004-0673	PCB, AC SERVO 5S & 10S/3000	\$1,733	A20B-1006-0671	PCB,SOFT KEY	\$76
A20B-1004-0680	PCB, REC	\$97	A20B-1006-0730	SOFT KEY	\$85
A20B-1004-0700	PCB,AC SPINDLE	\$1,243	A20B-1006-0781	SOFTKEY	\$69
A20B-1004-0710	PCB,PMC CASSETTE E	\$421	A20B-1006-0791	PCB, SOFT KEY	\$94
A20B-1004-0730	PCB, SERIAL SPINDLE 3S	\$1,097	A20B-1006-0792	SOFT KEY	\$93
A20B-1004-0740	PCB, WIRING BOARD SERIAL SP	\$1,794	A20B-1006-0793	PCB, SOFT KEY	\$90
A20B-1004-0741	PCB, WIRING BOARD SERIAL SP	\$1,938	A20B-1006-0970	PCB, SOFT KEY	\$93
A20B-1004-0742	PCB, WIRING BOARD AC SPINDLE	\$1,758	A20B-1007-0130	PCB, SETUP TRANSFORMER	\$1,004
A20B-1004-0750	PCB,SOFTKEY	\$64	A20B-1007-0131	STEPUP TRANSFORMER PCB	\$1,578
A20B-1004-0751	PCB, SOFT KEY	\$66	A20B-1007-0132	STEPUP TRANSFORMER PCB	\$1,232
A20B-1004-0760	PCB,SOFTKEY	\$79	A20B-1007-0140	FET MODULE PCB	\$927
A20B-1004-0770	PCB,SOFTKEY	\$81	A20B-1007-0150	FET MODULE PCB	\$927
A20B-1004-0790	PCB, SOFT KEYBOARD PWR MATE B	\$44	A20B-1007-0230	PCB,Soft key for 7.2" LCD	\$66
A20B-1004-0840	PCB,POWER SUPPLY	\$152	A20B-1007-0240	SERVO CHECK ADAPTOR BOARD	\$80
A20B-1004-0841	PCB,PWR SUP HANDY FILE BLT-IN	\$127	A20B-1007-0380	PCB, LASER	\$119
A20B-1004-0850	PCB, POWER CIRCUIT C-SV	\$2,008	A20B-1007-0480	PCB, SOFT KEY	\$99
A20B-1004-0851	PCB, POWER CIRCUIT C-SV	\$2,008	A20B-1007-0481	PCB, SOFT KEY	\$90
A20B-1004-0860	PCB, POWER CIRCUIT C-SERVO	\$2,914	A20B-1007-0592	PCB, AC SPINDLE	\$3,620
A20B-1004-0861	PCB, POWER CIRCUIT	\$2,914	A20B-1007-0650	PCB,	\$1,350
A20B-1004-0862	PCB POWER CIRCUIT C-SERVO	\$2,914	A20B-1007-0680	I/O LINK SIGNAL DIVIDER	\$46





# A20B-1007-0760

Part Number	Description	Price	Part Number	Description	Price
A20B-1007-0760	PCB	\$62	A20B-2002-0020	PCB, BACKPLANE 3 SLOT	\$168
A20B-1007-0790	PCB	\$248	A20B-2002-0030	PCB, SVU-1 CONT.	\$278
A20B-1007-0880	PCB, CONNECTOR	\$23	A20B-2002-0031	PCB, SVU-1 CONTROL	\$273
A20B-1008-0260	PCB, F/PANEL i	\$222	A20B-2002-0032	PCB, CONTROL CIRCUIT SVU-2	\$314
A20B-1008-0280	PCB, F/PANEL i	\$118	A20B-2002-0040	PCB, POWER CIRCUIT SVU1-40	\$1,375
A20B-2000-0100	I/O, OPE.PNL., 1'ST	\$257	A20B-2002-0041	PCB, POWER CIRCUIT ALPHA DRIVE	\$1,375
A20B-2000-0101	I/O, OPE.PNL., 2'ND	\$241	A20B-2002-0045	PCB, POWER SVUC1-40	\$1,398
A20B-2000-0102	I/O, OPE.PNL., 2'ND	\$253	A20B-2002-0051	PCB, POWER	\$2,224
A20B-2000-0103	I/O, OPE.PNL., 2'ND	\$235	A20B-2002-0060	PCB, POWER 12A/12A	\$1,758
A20B-2000-0140	PWM MODULE	\$80	A20B-2002-0061	PCB, POWER 12A/20A	\$1,758
A20B-2000-0170	PCB, MASTER F/CNTRL UNIT A OC	\$1,614	A20B-2002-0062	PCB, POWER 20A/20A	\$1,758
A20B-2000-0175	PCB, MASTER S-OC F/CTRL UNIT A	\$1,541	A20B-2002-0063	PCB, POWER 12A/40A	\$1,758
A20B-2000-0180	PCB, MASTER F/CNTRL UNIT B OC	\$2,163	A20B-2002-0064	PCB, POWER 20A/40A	\$1,758
A20B-2000-0220	PCB, DRIVER	\$1,603	A20B-2002-0065	PCB, POWER 40A/40A	\$1,758
A20B-2000-0270	LED BOARD FOR HANDY OPER PNL	\$16	A20B-2002-0066	PCB, POWER 40A/80A	\$1,758
A20B-2000-0330	PCB,RS232C TAPE RDR CONTROLLER	\$273	A20B-2002-0067	PCB, POWER 80A/80A	\$1,758
A20B-2000-0360	PCB,CONTROL F/TEACH PENDANT	\$651	A20B-2002-0068	PCB, POWER 12A/80A	\$1,758
A20B-2000-0370	I/O LINK DAUGHTER BOARD	\$576	A20B-2002-0070	MAIN CPU BOARD F/ CNC	\$2,550
A20B-2000-0380	PCB, CONTROLLER HANDY FILE	\$897	A20B-2002-0080	PCB, CONTROL ALPHA	\$348
A20B-2000-0400	PCB,CRT CONTROL	\$808	A20B-2002-0090	PCB,BACKPLANE 2 SLOT S18B	\$158
A20B-2000-0410	I/O LINK MR-MR CONN UNIT	\$772	A20B-2002-0110	PCB,BACKPLANE 2 SLOT	\$166
A20B-2000-0411	I/O LINK MR-MR CONN UNIT	\$633	A20B-2002-0130	PCB, LCD ADAPTER	\$808
A20B-2000-0412	I/O LINK MR-MR CONN UNIT	\$770	A20B-2002-0157	POWER CIRCUIT	\$1,733
A20B-2000-0490	PCB, MASTER O-L	\$2,732	A20B-2002-0200	CONTROL BOARD	\$656
A20B-2000-0530	MODULE MEMORY	\$156	A20B-2002-0210	PCB, HSSB ISA-BUSS	\$754
A20B-2000-0580	PCB, CONTROLLER F/HANDY FILE	\$879	A20B-2002-0211	PCB, HSSB PSI-BUSS	\$1,091
A20B-2000-0581	PCB,CONTROL HANDY FILE BLT-IN	\$754	A20B-2002-0240	PCB,B/P,EXTEND ISA	\$175
A20B-2000-0600	PCB, MEMORY CARD	\$127	A20B-2002-0260	PCB,SVU3 CONTROL	\$328
A20B-2000-0610	PCB, RACK 8 SLOT	\$426	A20B-2002-0271	PCB, POWER 12/12/20	\$2,505
A20B-2000-0620	PCB,RACK 3 SLOT	\$235	A20B-2002-0272	PCB, POWER 12/20/20	\$2,505
A20B-2000-0630	PCB,BACKPLANE 2 SLOT	\$176	A20B-2002-0273	PCB, POWER 20/20/20	\$2,505
A20B-2000-0640	PCB,BACKPLANE 4 SLOT	\$255	A20B-2002-0321	PCB,BETA SERVO CONT	\$346
A20B-2000-0650	PCB,BACKPLANE 6 SLOT	\$387	A20B-2002-0322	PCB,BETA SERVO CONT.	\$282
A20B-2000-0660	PCB, SUB RS485 INTERFACE	\$437	A20B-2002-0350	PCB,DISTRIBUTION	\$230
A20B-2000-0670	PCB, SUB PWR MATE C BLT-IN I/O	\$444	A20B-2002-0380	PCB,S.MONITOR	\$1,232
A20B-2000-0710	PCB,BACKPLANE 4 SLOT	\$232	A20B-2002-0381	P. C. BOARD	\$1,029
A20B-2000-0720	PCB,BACKPLANE 6 SLOT	\$346	A20B-2002-0401	PCB,I/O module EB	\$219
A20B-2000-0730	PCB,BACKPLANE 8 SLOT	\$421	A20B-2002-0430	PCB, BACKPLANE	\$373
A20B-2000-0760	ROM CASSETT ADAPTR PMC-N to NA	\$250	A20B-2002-0450	PCB, MASTER O-MATE	\$1,578
A20B-2000-0830	I/F BOARD MMC-III	\$683	A20B-2002-0470	OPER PNL CONN UNIT 72/56 W/MPG	\$615
A20B-2000-0840	PCB, CRT/MDI CONTROL	\$776	A20B-2002-0480	PCB,Inverter for 7.2", 9.5"	\$59
A20B-2000-0841	PCB,CRT CONTROL	\$704	A20B-2002-0500	PCB, INVERTER FOR 10.4" LCD	\$80
A20B-2000-0880	PCB, BACKPLANE S20	\$194	A20B-2002-0501	PCB,Inverter for 8.4"	\$80
A20B-2000-0890	PCB, BACKPLANE 3-SLOT 21TB	\$116	A20B-2002-0520	PCB, OPER PNL I/O 48/32 W/ MPG	\$660
A20B-2000-0900	PCB,BACKPLANE 3 SLOT	\$214	A20B-2002-0521	OPER PNL I/O 48/32 NO MPG	\$446
A20B-2000-0930	PCB,BACKPLANE LR	\$132	A20B-2002-0550	PCB,Inverter for 7.2", 9.5"(4 opt slot)	\$69
A20B-2001-0010	PCB, ALPHA DRIVE (A06B-6072-Hxxx)	\$396	A20B-2002-0570	PCB, DETECTOR	\$239
A20B-2001-0120	PCB, MASTER S-0D	\$1,519	A20B-2002-0610	PCB, BACKPLANE ISA	\$690
A20B-2001-0150	PCB,CONNECTOR MODULE ALPHA SV	\$262	A20B-2002-0641	PCB, CONTROL BETA AMP	\$847
A20B-2001-0190	PCB,BACKPLANE 4 SLOT	\$232	A20B-2002-0642	PCB,BETA SERVO CONT	\$770
A20B-2001-0200	PCB,BACKPLANE 6 SLOT	\$351	A20B-2002-0650	SO-C PWA, MASTER F/CTRL UNIT A	\$1,530
A20B-2001-0360	PCB,PAR/SER IF CONVERTER UNIT	\$449	A20B-2002-0651	PCB,MASTER/486DX2 0-D	\$2,436
A20B-2001-0370	PCB,M-NET SUB	\$770	A20B-2002-0660	PCB, MASTER O-C	\$2,482
A20B-2001-0490	PCB,BACKPLANE 4 SLOT MMCIV	\$544	A20B-2002-0680	BACK PANEL PCB	\$129
A20B-2001-0590	PCB,	\$11	A20B-2002-0740	PCB, SPNDL MONITOR	\$1,255
A20B-2001-0620	PCB BASE, PM-F	\$2,368	A20B-2002-0741	PCB, SPINDLE MONITOR	\$1,063
A20B-2001-0630	SUB PCB, I/O 48/32	\$517	A20B-2002-0760	PCB, Back panel (4 option slots)	\$517
A20B-2001-0631	PCB, SUB I/O A 32/24	\$387	A20B-2002-0761	PCB,4-SLOT BK.PLANE	\$467
A20B-2001-0651	PCB,BKPLANE 6 SLOT	\$678	A20B-2002-0770	PCB,	\$241
A20B-2001-0652	PCB,BACKPLANE 6 SLOT MMCIV	\$678	A20B-2002-0780	PCB, ADD-ON I/O CARD	\$442
A20B-2001-0661	PCB,BKPLANE 8 SLOT	\$710	A20B-2002-0800	BACK PANEL F/3-SLOT CASE	\$674
A20B-2001-0662	PCB,BACKPLANE 8 SLOT MMCIV	\$710	A20B-2002-0850	PCB, BACKPLANE FOR S16i	\$149
A20B-2001-0750	PCB,CONTROL SERVO AMP	\$483	A20B-2002-0860	PCB, BACK PANEL	\$298
A20B-2001-0760	PCB,CONTROL SERVO AMP	\$517	A20B-2002-0870	PCB, ANALOG SERVO IF E	\$669
A20B-2001-0781	PCB CONTROL	\$651	A20B-2002-0890	PCB, INVERTER	\$163
A20B-2001-0820	PCB,CONTROL SERVO AMP	\$380	A20B-2002-0960	PCB, DATA SERVER ATA CARD ADAPTER	\$133
A20B-2001-0821	PCB,CONTROL SERVO AMP	\$455	A20B-2003-0150	PCB, BACKPLANE	\$117
A20B-2001-0822	PCB,CONTROL SERVO AMP	\$378	A20B-2003-0240	PCB, BACKPLANE	\$161
A20B-2001-0823	PCB,CONTROL SERVO AMP	\$426	A20B-2003-0270	PCB, BACK PANEL 18i-B ONE SLOT	\$698
A20B-2001-0840	PCB,CONTROL 7.2" LCD	\$847	A20B-2003-0271	PCB, BACK PANEL 1 SLOT STAND ALONE	\$100
A20B-2001-0880	ADDN I/O CARD F3 104/72 SOURCE	\$1,997	A20B-2003-0280	PCB, BACK PANEL 3 SLOT	\$453
A20B-2001-0881	ADDN I/O CARD F4 64/32 SOURCE	\$1,195	A20B-2003-0320	PCB, I/O LINK INTERFACE F/HMOP	\$312
A20B-2001-0890	CONTROL PCB	\$351	A20B-2003-0340	PCB, SPINDLE MOTOR OVERHEAT DETECTION	\$80
A20B-2001-0900	PCB, I/O 48/32	\$512	A20B-2003-0350	PCB, BACK PANEL	\$142
A20B-2001-0901	PCB,I/O 32/24	\$414	A20B-2003-0490	PCB, BACK PANEL SOi-B	\$192
A20B-2001-0902	PCB, I/O BUILT-IN 32/24 SOURCE	\$401	A20B-2100-0020	PCB, BASE PWR MATE H (MAX-4AX)	\$1,769
A20B-2001-0930	PCB, ALPHA	\$394	A20B-2100-0021	PCB,BASE PWR MATE H (MAX-6AX)	\$2,345
A20B-2001-0931	PCB, CONTROL ALPHA SV	\$444	A20B-2100-0030	PCB,BASE PM-D LEV-UP	\$1,876
A20B-2001-0932	PCB,SVM CONTROL	\$394	A20B-2100-0040	PCB, I/O LINK II	\$1,000
A20B-2001-0933	SVM2-40/80 PCB SPECIFICATION	\$444	A20B-2100-0061	CRT CONTROL PCB 64 SCREEN	\$1,134
A20B-2001-0940	SVM3-12/12/12 PCB SPECIFICATIN	\$487	A20B-2100-0090	PCB	\$546
A20B-2001-0950	PCB, CONTROL ALPHA SERVO	\$512	A20B-2100-0120	PCB, SUB1 PROFIBUS	\$1,025
A20B-2001-0980	PCB,BACKPLANE 3 SLOT	\$171	A20B-2100-0132	PCB,POWER BETA SERVO	\$797
A20B-2001-0993	PCB,ALPHA	\$636	A20B-2100-0133	PCB, POWER BETA SERVO	\$806

RENEWAL PARTS  
PRICING

D-70



FANUC CNC Parts

Part Number	Description	Price	Part Number	Description	Price
A20B-2100-0160	PCB, BASE POWER MATE D	\$1,876	A20B-2900-0350	GRAPHICS CPU MODULE	\$246
A20B-2100-0182	PCB, CONTROL BETA I/O LINK	\$1,025	A20B-2900-0361	SMD MODULE	\$219
A20B-2100-0183	PCB, CONTROL BETA AMP	\$867	A20B-2900-0380	SERVO MODULE	\$337
A20B-2100-0190	PCB, EXPANTION MODULE	\$619	A20B-2900-0390	MODULE,PMC CPU/DRAMS ARE US	\$339
A20B-2100-0220	PCB,Back panel PCB (2 option slots)	\$230	A20B-2900-0391	MODULE,PMC CPU/DRAMS NOT US	\$339
A20B-2100-0230	PCB,Back panel PCB (4 option slots)	\$280	A20B-2900-0442	MODULE, SLC2	\$151
A20B-2100-0240	PCB,486DX4	\$1,578	A20B-2900-0470	MODULE,PMC CTRL I/O LINK	\$275
A20B-2100-0242	PCB,PENTIUM	\$1,519	A20B-2900-0471	SMD MODULE SLC	\$210
A20B-2100-0260	PCB,3-AX SERVO/FSSB	\$1,186	A20B-2900-0480	SMD MODULE FLASH ROM	\$970
A20B-2100-0270	PCB, POSITION DETECTOR I/F	\$758	A20B-2900-0481	SMD MODULE FLASH ROM 1MB	\$528
A20B-2100-0290	BACK PLANE	\$282	A20B-2900-0530	SMD MODULE RAM 256KB	\$414
A20B-2100-0320	PCB, EXTENSION,2A-DO	\$287	A20B-2900-0531	SMD MODULE RAM 128KB	\$273
A20B-2100-0390	PCB, FSSB I/O	\$889	A20B-2900-0540	SMD MODULE RAM 1MB	\$1,334
A20B-2100-0430	PROFIBUS MODULE, SLAVE	\$881	A20B-2900-0541	SMD MODULE RAM 512KB	\$606
A20B-2100-0450	PCB,	\$1,626	A20B-2900-0550	MODULE,DRAM 1MB	\$542
A20B-2100-0460	PCB, ANALOG SERVO IF B	\$1,291	A20B-2900-0551	MODULE, DRAM 512KB	\$332
A20B-2100-0470	PCB,PANEL ROBOTICS	\$1,350	A20B-2900-0555	MODULE, CAP CONTROL MEMORY	\$204
A20B-2100-0490	PCB, Hard disk control	\$264	A20B-2900-0560	PMC CONTROL MODULE	\$373
A20B-2100-0500	PCB, ATA Card Adapter	\$113	A20B-2900-0580	MODULE, 14BIT A/DC	\$410
A20B-2100-0510	PCB, BACK BOARD	\$430	A20B-2900-0590	MODULE,GRAPHIC CPU	\$312
A20B-2100-0540	PCB, F/A06B-6096-H102	\$945	A20B-2900-0600	SMD MODULE DRAM	\$1,890
A20B-2100-0541	PCB,2-AXES CONTROL	\$881	A20B-2900-0601	SMD MODULE DRAM	\$867
A20B-2100-0542	PCB, FOR SERVO AMP	\$945	A20B-2900-0602	MODULE, DRAM	\$690
A20B-2100-0543	PCB,	\$881	A20B-2900-0603	MODULE DRAM 1MB F-D MATE	\$344
A20B-2100-0570	PCB, DETECTOR I/F	\$847	A20B-2900-0604	MODULE,DRAM MMCI	\$1,291
A20B-2100-0690	PCB,	\$1,507	A20B-2900-0607	MODULE,DRAM 2MB	\$749
A20B-2100-0692	PCB,F/INT TERM 3 (A1) 10.4" COL NOSF	\$1,769	A20B-2900-0610	MODULE,LSI	\$222
A20B-2100-0693	PCB, INTERFACE	\$2,115	A20B-2900-0620	MODULE,DRIVER	\$215
A20B-2100-0740	PCB,	\$933	A20B-2900-0630	MODULE,ALARM	\$184
A20B-2100-0741	PCB,	\$692	A20B-2900-0640	SMD MODULE SRAM HI SPD 128KB	\$599
A20B-2100-0742	PCB,	\$796	A20B-2900-0641	SMD MODULE SRAM HI SPD 64KB	\$312
A20B-2100-0760	PCB, ALPHA i DRIVE	\$697	A20B-2900-0650	SMD MODULE DRAM 8MB	\$2,801
A20B-2100-0761	PCB, CONTROL F/A06B-6120-H045	\$699	A20B-2900-0651	SMD MODULE DRAM 4MB	\$1,302
A20B-2100-0762	PCB, CONTROL F/A06B-6120-H045	\$690	A20B-2900-0653	SMD MODULE DRAM 2MB	\$842
A20B-2100-0780	PCB, PANEL i	\$1,507	A20B-2900-0660	SMD MODULE PERIPHERAL	\$246
A20B-2100-0781	PCB, MAIN FOR 12.1" LCD	\$1,637	A20B-2900-0670	SMD MODULE SERL & ANALG & HDI	\$367
A20B-2100-0782	PCB, BACKPLANE PNLI 15.0" COLOR	\$1,637	A20B-2900-0672	SMD MODULE SERIAL & HDI	\$106
A20B-2100-0786	PCB, BACKPLANE PANEL i	\$1,876	A20B-2900-0673	SMD MODULE SERIAL	\$280
A20B-2100-0800	PCB,	\$1,149	A20B-2900-0680	SMD MODULE SRAM 1MB	\$808
A20B-2100-0801	PCB, CONTROL FOR ALPHA i SPINDLE	\$1,280	A20B-2900-0681	SMD MODULE SRAM 512KB	\$408
A20B-2100-0820	PCB, FS300is Back-up unit A	\$490	A20B-2900-0682	SMD MODULE SRAM 2MB	\$1,327
A20B-2100-0831	PCB, SPINDLE AMP	\$893	A20B-2900-0691	SMD MODULE CRT CONTROL 9"	\$310
A20B-2100-0920	PCB, FOR PANEL i 15" TOUCH	\$380	A20B-2900-0692	SMD MODULE LCD 10" / PDP 10"	\$264
A20B-2200-0010	PCB,SERIAL/DMA ADD ON F/OPT3	\$626	A20B-2900-0700	SMD MODULE SRAM 256KB	\$332
A20B-2200-0011	PCB,SERIAL/DMA 2 CH ADD ON	\$428	A20B-2900-0701	SMD MODULE SRAM 128KB	\$201
A20B-2900-0021	MODULE DRAM 1MB	\$351	A20B-2900-0710	SMD MODULE SRAM 320KB	\$330
A20B-2900-0030	PCB, MODULE DMA	\$255	A20B-2900-0711	SMD MODULE SRAM 64KB	\$123
A20B-2900-0060	MODULE,SCC	\$296	A20B-2900-0721	SMD MODULE ANLG-IN & SER COMM	\$220
A20B-2900-0101	SMD SERIAL SP W/ANALOG SUB SP	\$305	A20B-2900-0760	ANALOG SERVO INTERFACE MODULE	\$562
A20B-2900-0102	SMD MODULE SYS CNTRL SER SPND	\$189	A20B-2900-0770	SMD MODULE ANALOG & HDI	\$296
A20B-2900-0103	SMD MODULE SYS CNTRL ANLG SPND	\$241	A20B-2900-0771	SMD MODULE ANALOG	\$244
A20B-2900-0105	SMD MODULE SYS CNTRL	\$269	A20B-2900-0780	MODULE,PMC-NA	\$199
A20B-2900-0106	SMD MODULE SYS CNTRL SERIAL	\$151	A20B-2900-0790	SMD MODULE PMC-NA CPU	\$369
A20B-2900-0107	SMD MODULE SYS CNTRL ANLG SPND	\$203	A20B-2900-0800	SMD MODULE DRAM 2MB	\$492
A20B-2900-0108	SMD MODULE SYS CNTRL SPNDL CTR	\$85	A20B-2900-0801	SMD MODULE DRAM 1.25MB	\$437
A20B-2900-0110	MODULE,I/O INTERFACE	\$213	A20B-2900-0802	SMD MODULE DRAM 1MB	\$273
A20B-2900-0140	MODULE,SRAM 128K PMC CONTROL	\$337	A20B-2900-0803	SMD MODULE DRAM 512KB	\$149
A20B-2900-0141	MODULE,SRAM 64K PMC CONTROL	\$289	A20B-2900-0810	SMD MODULE 6M FLASH ROM	\$1,541
A20B-2900-0142	MODULE,PMC CONTROL S/O SRAM	\$173	A20B-2900-0812	SMD MODULE FLASH ROM	\$608
A20B-2900-0143	SMD MODULE PMC-SC	\$106	A20B-2900-0814	MODULE, ROM 3MB	\$797
A20B-2900-0150	MODULE,14" CRT CONTRL MAIN CPU	\$227	A20B-2900-0815	MODULE, ROM 1MB	\$296
A20B-2900-0151	MODULE,9" CRT CONTRL MAIN CPU	\$257	A20B-2900-0820	MODULE,ADD'TL DETECTOR	\$195
A20B-2900-0152	MODULE,10" LCD CNLT MAIN CPU	\$227	A20B-2900-0830	USE A20B-2901-0360 WHEN OUT	\$355
A20B-2900-0153	MODULE, CRTC	\$273	A20B-2900-0841	SMD MODULE MEMORY	\$321
A20B-2900-0154	SMD MODULE CRT CNTRL 14" CRT	\$235	A20B-2900-0850	SMD MODULE SPINDLE SERIAL	\$105
A20B-2900-0155	MODULE,9" CRT CONT OPT 1 PCB	\$250	A20B-2900-0851	SMD MODULE SPINDLE ANALOG	\$123
A20B-2900-0156	MODULE,10" LCD CONT OPT 1 PCB	\$235	A20B-2900-0860	SMD MODULE COMMUNICATION	\$314
A20B-2900-0158	CRT MODULE	\$314	A20B-2900-0870	SMD MODULE DIGITAL SERVO	\$537
A20B-2900-0160	SMD MODULE SERVO CONTROL	\$521	A20B-2900-0900	SMD MODULE SYS CNTRL SER SP AN	\$476
A20B-2900-0260	SMD MODULE RAM 1MB	\$897	A20B-2900-0901	MODULE,CONT SER SP	\$362
A20B-2900-0280	SMD MODULE ANL I/O & HI SPD DI	\$244	A20B-2900-0902	MODULE ANALOG SPINDLE CONTROL	\$412
A20B-2900-0281	SMD MODULE HIGH SPEED DI	\$107	A20B-2900-0920	USE A20B-2901-0660 WHEN OUT	\$615
A20B-2900-0282	SMD MODULE HIGH SPEED DI	\$1,739	A20B-2900-0921	SMD MODULE PMC	\$551
A20B-2900-0290	ROM SMD MODULE 1MB	\$492	A20B-2900-0930	SMD MODULE CPU	\$332
A20B-2900-0291	ROM SMD MODULE 768KB	\$387	A20B-2900-0940	SERVO MODULE	\$2,413
A20B-2900-0292	ROM SMD MODULE 512KB	\$280	A20B-2900-0990	SMD MODULE RAM 4MB	\$10,838
A20B-2900-0292#9050-600E	SERVO & GRAPHIC ROM FILES FOR 18A \$959		A20B-2900-0991	SMD MODULE RAM 2MB	\$4,076
A20B-2900-0293	ROM SMD MODULE 256KB	\$175	A20B-2901-0060	SMD MODULE SERVO CONTROL	\$4,280
A20B-2900-0294	ROM SMD MODULE 128KB	\$121	A20B-2901-0122	ROM MODULE FOR MACRO 2MB	\$699
A20B-2900-0301	SMD MODULE 512 KB (MMC-II)	\$576	A20B-2901-0130	MODULE,SC1-2	\$380
A20B-2900-0310	SMD MODULE GRAPHICS CONTROL	\$460	A20B-2901-0170	MODULE,LR	\$321
A20B-2900-0311	SMD MODULE GRAPHIC CONTROL	\$410	A20B-2901-0180	MODULE,LR	\$110
A20B-2900-0340	SMD MODULE	\$179	A20B-2901-0192	MODULE,DRAM 512KB+USER 1M	\$453
			A20B-2901-0200	PCB, SUBMODULE	\$250

# A20B-2901-0210

Part Number	Description	Price	Part Number	Description	Price
A20B-2901-0210	MODULE,ANALOG IN&SER.SPINDLE	\$280	A20B-2902-0210	SRAM MODULE,1M	\$760
A20B-2901-0240	MODULE, LSI	\$230	A20B-2902-0221	MODULE RAM ADD'TL 256KB+SER SP	\$471
A20B-2901-0250	MODULE,DRAM	\$915	A20B-2902-0222	MODULE,SER SP + ANALOG	\$226
A20B-2901-0251	MODULE,DRAM	\$724	A20B-2902-0223	MODULE,SERIAL SPINDLE CONTROL PWR-MT-D	\$453
A20B-2901-0252	MODULE,DRAM	\$533	A20B-2902-0224	MODULE,SERIAL SPNDL + 256K RAM	\$280
A20B-2901-0253	MODULE,DRAM	\$339	A20B-2902-0225	MODULE,SERIAL SPINDLE	\$96
A20B-2901-0254	MODULE,DRAM 2MB	\$437	A20B-2902-0230	Dual Analog Spindle Module + 512K RAM	\$524
A20B-2901-0260	MODULE,SYSTEM CONTROL	\$224	A20B-2902-0231	MODULE,RAM AD'TL256KB+ANAL SP	\$351
A20B-2901-0261	MODULE DRAM	\$165	A20B-2902-0232	MODULE,ANAL SPx2	\$190
A20B-2901-0270	MODULE,GRAPHIC CONTROL	\$783	A20B-2902-0234	MODULE,ANALOG SPNDL + 256K RAM	\$291
A20B-2901-0280	MODULE,CHARACTER CONTROL	\$330	A20B-2902-0235	MODULE,ANAL SP x1	\$148
A20B-2901-0290	MODULE,RAM	\$1,446	A20B-2902-0236	No spindle module + 512K RAM	\$389
A20B-2901-0291	MODULE,RAM	\$817	A20B-2902-0237	MODULE,RAM ADD'TL 256KB	\$215
A20B-2901-0300	SMD MODULE SCI-3	\$383	A20B-2902-0250	MP FOR PMC-NB2 ENGINE SMD	\$508
A20B-2901-0330	MODULE,PSC MMCII	\$142	A20B-2902-0270	SMD MODULE 14" CRT	\$255
A20B-2901-0340	SMD MODULE SERVO CONTROL	\$533	A20B-2902-0271	SMD MODULE CRT CONTROL 9"	\$257
A20B-2901-0341	MODULE,AXIS CONTROL ANALOG	\$521	A20B-2902-0272	MODULE, 9.5",8.4" LCD	\$262
A20B-2901-0360	SERVO INTERFACE MODULE	\$342	A20B-2902-0273	MODULE,14" CRT CONT MMCIII	\$195
A20B-2901-0370	MODULE,14" CRT CONTROL GRAPHIC	\$291	A20B-2902-0275	MODULE,MMCIV&MMCIII CONT LCD	\$232
A20B-2901-0371	MODULE,CRTC 9" CRT	\$282	A20B-2902-0277	MODULE,CRTC	\$253
A20B-2901-0372	SMD MODULE CRT 10" LCD	\$321	A20B-2902-0278	SMD MODULE 14" CRT	\$253
A20B-2901-0373	MODULE,CRTC 14" CRT	\$266	A20B-2902-0280	MODULE, DRIVER	\$190
A20B-2901-0374	MODULE, 9"	\$248	A20B-2902-0290	Servo module	\$515
A20B-2901-0390	SMD MODULE CPU F/ CAPII F/OPT3	\$1,113	A20B-2902-0301	MODULE,MEMORY FROM2M,SRAM256KB	\$628
A20B-2901-0400	MODULE,SRAM 1.25MB	\$883	A20B-2902-0302	MEMORY MODULE	\$699
A20B-2901-0401	MODULE,SRAM 1MB	\$722	A20B-2902-0320	MODULE,CRTC F/F-D MATE	\$224
A20B-2901-0402	MODULE,SRAM 512KB	\$401	A20B-2902-0343	MODULE,FROM 2MB	\$658
A20B-2901-0413	MODULE,DRAM SRAM	\$394	A20B-2902-0350	MODULE SRAM	\$195
A20B-2901-0415	MODULE, DRAM 256KB	\$248	A20B-2902-0351	MODULE SRAM +768KB	\$528
A20B-2901-0480	MODULE,CRT CONTROL	\$294	A20B-2902-0352	SRAM 2.25 MB	\$774
A20B-2901-0500	MODULE,CPU	\$396	A20B-2902-0370	FROM MODULE 2MB	\$505
A20B-2901-0581	SMD MODULE PMC-NB CPU	\$326	A20B-2902-0371	MODULE, FROM MODULE 4MB	\$913
A20B-2901-0660	SMD MODULE PMC RB2 W/ I/O LINK	\$542	A20B-2902-0372	MODULE, FROM 6MB	\$1,316
A20B-2901-0661	SMD MODULE PMC RB2 W/O I/O LNK	\$476	A20B-2902-0373	FROM MODULE 8MB	\$1,721
A20B-2901-0674	MODULE,CRTC	\$207	A20B-2902-0374	MODULE, PROGRAM MEMORY 4M	\$455
A20B-2901-0676	MODULE,CRTC	\$207	A20B-2902-0375	MODULE,F-ROM 6M	\$1,685
A20B-2901-0680	SMD MODULE	\$383	A20B-2902-0376	MODULE, FROM 2MB	\$590
A20B-2901-0700	MODULE,SERVO INTERFACE	\$332	A20B-2902-0377	MODULE, FROM 4MB	\$936
A20B-2901-0711	MODULE,256K SRAM,3.5MB DRAM	\$1,316	A20B-2902-0390	MODULE ALPHA	\$196
A20B-2901-0713	MODULE,256K SRAM,2.5MB DRAM	\$1,118	A20B-2902-0400	MODULE,SERVO CONTROL	\$451
A20B-2901-0716	MODULE,128K SRAM,3.5MB DRAM	\$1,034	A20B-2902-0410	MODULE,FROM 8M + SRAM 256K	\$1,603
A20B-2901-0718	MODULE,128K SRAM,2.5MB DRAM	\$842	A20B-2902-0411	6MB FROM + 256K SRAM	\$1,291
A20B-2901-0719	MODULE,SRAM 2MB/SRAM 128KB	\$651	A20B-2902-0412	MODULE, FROM/SRAM	\$1,354
A20B-2901-0721	MODULE, MEMORY	\$394	A20B-2902-0413	MODULE, FROM	\$640
A20B-2901-0760	MODULE, MEMORY + ANALOG SP	\$287	A20B-2902-0420	MODULE,SV INF 2 AX DIGITAL	\$353
A20B-2901-0761	MODULE, MEMORY + SERIAL SP	\$271	A20B-2902-0421	MODULE, ANALOG SERVO INTERFACE	\$403
A20B-2901-0762	MODULE, SP CONT + ADDT'L MEM	\$253	A20B-2902-0440	MODULE, SERVO INTERFACE	\$312
A20B-2901-0763	MODULE,SP CONT + ADD'TL MEM	\$235	A20B-2902-0450	MEMORY MODULE, SMD	\$1,530
A20B-2901-0764	MODULE, MEMORY + ANALOG SP	\$122	A20B-2902-0461	MODULE, DRAM	\$1,721
A20B-2901-0765	MODULE, MEMORY + SERIAL SP	\$106	A20B-2902-0470	MODULE,TOUCH PANEL CONTROL	\$244
A20B-2901-0780	PMC-NA CPU module	\$1	A20B-2902-0480	MODULE, PMC CONTROL B	\$585
A20B-2901-0790	PMC-NA Engine module	\$1	A20B-2902-0481	MODULE, PMC	\$537
A20B-2901-0810	MODULE, DRIVER	\$224	A20B-2902-0490	MODULE, HSSB	\$255
A20B-2901-0851	MODULE, DETECTION	\$303	A20B-2902-0500	FROM MODULE	\$1,924
A20B-2901-0920	MODULE, CB12 MMC-II	\$181	A20B-2902-0510	SERVO MODULE	\$760
A20B-2901-0940	SMD MODULE DRAM 6MB	\$1,232	A20B-2902-0520	MODULE, CRT DISPLAY	\$149
A20B-2901-0960	MP FOR PMC-NB ENGINE SMD	\$585	A20B-2902-0531	MODULE DRAM 4MB	\$735
A20B-2901-0961	MODULE,PMC-RB3/RC3 W/O SLC	\$508	A20B-2902-0540	HSSB MODULE	\$291
A20B-2901-0980	SMD MODULE SERIAL + ANALOG	\$326	A20B-2902-0550	MODULE, ACSV	\$221
A20B-2901-0981	SMD MODULE SERIAL SPINDLE	\$210	A20B-2902-0620	MODULE, DETECTOR CIRCUIT	\$260
A20B-2901-0982	SMD MODULE ANALOG SPINDLE	\$262	A20B-2902-0630	MODULE, 8M DRAM	\$751
A20B-2901-0984	SMD MODULE SERIAL + ANALOG	\$394	A20B-2902-0642	MODULE,	\$349
A20B-2901-0985	SMD MODULE SERIAL SPINDLE	\$104	A20B-2902-0643	MODULE,MEMORY & SPINDLE	\$296
A20B-2901-0986	SMD MODULE ANALOG	\$159	A20B-2902-0644	MODULE,MEMORY & SPINDLE	\$135
A20B-2902-0020	MODULE, DRAM 4MB	\$713	A20B-2902-0645	MODULE,MEMORY & SPINDLE	\$80
A20B-2902-0021	DRAM MODULE	\$517	A20B-3300-0021	DISPLAY CONTROL CARD B, COLOR	\$745
A20B-2902-0061	MODULE,SERVO CONTROL	\$521	A20B-3300-0024	DISPLAY CONTROL CARD D, MONO	\$745
A20B-2902-0070	SMD MODULE SERVO CONTROL	\$492	A20B-3300-0025	PCB,DISPLAY CONTROL E, CHAR	\$745
A20B-2902-0080	SMD MODULE 4MB+SRAM 512KB	\$1,268	A20B-3300-0026	CHARACTOR CARD	\$742
A20B-2902-0081	SMD MODULE SRAM 4MB	\$781	A20B-3300-0032	PCB, Servo control card (4 axes)	\$833
A20B-2902-0082	MODULE,FROM 2MB	\$446	A20B-3300-0033	PCB SERVO CONTROL 2 AX	\$585
A20B-2902-0090	MODULE,FROM 8MB+SRAM 2MB	\$7,035	A20B-3300-0051	CPU CARD, PENTIUM PWRMTM i D/H	\$1,350
A20B-2902-0091	SMD MODULE SRAM 8MB	\$1,673	A20B-3300-0070	PCB, CPU	\$512
A20B-2902-0092	MODULE, FROM 6MB	\$1,255	A20B-3300-0071	CPU CARD PWRMT i D/H	\$567
A20B-2902-0093	MODULE,	\$2,482	A20B-3300-0084	PCB,CPU/SDRAM 8MB	\$959
A20B-2902-0094	MODULE, FROM 6M, SRAM 512K	\$1,972	A20B-3300-0090	CHARACTOR CARD	\$553
A20B-2902-0120	USE A76L-0300-0202 WHEN OUT	\$46	A20B-3300-0091	CHARACTOR CARD	\$553
A20B-2902-0181	MODULE,ANALOG SERVO	\$410	A20B-3300-0101	PCB, CPU card	\$913
A20B-2902-0192	MODULE,DRAM 512KB+USER 1M	\$316	A20B-3300-0102	PCB, CPU F/RISC	\$852
A20B-2902-0193	MP FOR PMC-NB ADD'L RAM	\$228	A20B-3300-0130	PCB, POS + ANALOG	\$385
A20B-2902-0194	DRAM MODULE	\$140	A20B-3300-0131	PCB,POSITION	\$216
A20B-2902-0196	SMD MODULE DRAM 2MB	\$405	A20B-3300-0150	PCB,Display control A (color)	\$856
A20B-2902-0197	MODULE, DRAM 1MB	\$219	A20B-3300-0151	DISPLAY CONTROL CARD B, COLOR	\$915
A20B-2902-0198	MODULE, DRAM 512KB	\$135	A20B-3300-0153	PCB, GRAPHIC	\$745

RENEWAL PARTS  
PRICING

D-72



FANUC CNC Parts

Part Number	Description	Price	Part Number	Description	Price
A20B-3300-0154	PCB, DISPLAY CONTROL	\$927	A20B-8001-0291	PCB, HSSB INTERFACE 100M	\$740
A20B-3300-0161	PCB DISPLAY CONTROL (LCD/MDI)	\$218	A20B-8001-0300	HIGH SPEED SERIAL BUS PC PCB	\$480
A20B-3300-0162	PCB, CRT LINK i SERIES	\$253	A20B-8001-0310	PCB, MDI F/PWR MT A	\$285
A20B-3300-0190	DISPLAY CONTROL CARD MDI ONLY	\$81	A20B-8001-0500	PCB, PROFIBUS SUB	\$271
A20B-3300-0220	PCB, CPU CARD B - WINDOWS CE	\$1,398	A20B-8001-0510	PCB, HSSB ADAPTER	\$189
A20B-3300-0250	PCB, CPU CARD (TYPE A3 - EXPANDED MEMORY	\$1,434	A20B-8001-0530	3/4 AXES BOARD	\$512
A20B-3300-0260	PCB CPU	\$1,437	A20B-8001-0580	HSSB TYPE 2(2-CH) BOARD FOR PC	\$915
A20B-3300-0261	PCB,CPU CARD	\$2,038	A20B-8001-0581	HSSB TYPE 2(1-CH) BOARD FOR PC	\$649
A20B-3300-0280	PCB, Display (10.4" clr,Graphic,w/Ethnet	\$1,057	A20B-8001-0582	HSSB (2-CH) BOARD FOR PC	\$915
A20B-3300-0281	PCB, Display(8.4" color,Graphic,W/Ethnet	\$1,220	A20B-8001-0583	HSSB (1-CH) BOARD FOR PC	\$649
A20B-3300-0282	PCB,Display(9.5" mono,Graphic,W/Etnnt	\$738	A20B-8001-0620	PCB,Touch panel interface	\$140
A20B-3300-0290	PCB,CPU 21i DRAM 32MB	\$867	A20B-8001-0630	PCB,Sub CPU	\$656
A20B-3300-0291	PCB, CPU 16M DRAM 486	\$754	A20B-8001-0640	PCB,CNC side HSSB interface	\$601
A20B-3300-0292	PCB, CPU 486 W/32MB DRAM	\$683	A20B-8001-0641	PCB,CNC side HSSB interface	\$847
A20B-3300-0293	PCB, CPU W/16MB DRAM	\$546	A20B-8001-0721	PCB, OP IF	\$581
A20B-3300-0300	PCB, DISPLAY 9.5" MONO CHAR W/ ETHERNET	\$665	A20B-8001-0730	PCB, HSSB INTERFACE	\$822
A20B-3300-0302	PCB, 9.5" MONO CHAR NO ETH	\$410	A20B-8001-0740	PCB, PROFIBUS ADAPTER	\$339
A20B-3300-0310	PCB, CPU 16M DRAM PENTIUM	\$1,699	A20B-8001-0750	PCB, ANALOG	\$683
A20B-3300-0311	PCB, CPU (16i/18i, DRAM 32MB)	\$1,651	A20B-8001-0780	PCB,	\$248
A20B-3300-0312	PCB, CPU 21i-B PENTIUM	\$1,387	A20B-8001-0790	PCB, M-NET INTERFACE	\$517
A20B-3300-0313	PCB,CPU (21i, DRAM 32MB)	\$1,280	A20B-8001-0820	PCB,GRAPHIC 25MHZ	\$1,901
A20B-3300-0319	PCB, CPU card (32MB DRAM / Pentium)	\$1,054	A20B-8001-0821	PCB, GRAPHIC 21MHZ	\$1,334
A20B-3300-0320	PCB,	\$1,069	A20B-8001-0880	PCB,DEVICE NET I/F	\$3,529
A20B-3300-0330	PCB,	\$1,111	A20B-8001-0920	PCB, INVERTER FOR 10.4" LCD	\$85
A20B-3300-0340	PCB, DISPLAY CONTROL	\$640	A20B-8001-0921	PCB, INVERTER FOR 8.4" LCD	\$85
A20B-3300-0341	PCB, DISPLAY LCD/MDI Oi-B	\$385	A20B-8001-0922	PCB, INVERTER	\$85
A20B-3300-0360	PCB, DPL B1 WITH ETHERNET	\$464	A20B-8001-0960	HSSB PCI 2 CHANNEL FOR PC	\$915
A20B-3300-0362	PCB, MDI + ETHERNET	\$305	A20B-8001-0961	PCB, HSSB PCI BD - 1 CHANNEL FOR PC	\$649
A20B-3300-0363	PCB, MDI	\$87	A20B-8001-0970	PCB, INTERFACE 160i	\$305
A20B-3300-0390	PCB, Servo control (8 axes) 16i. 18i	\$1,157	A20B-8002-0020	PCB, INTERFACE WITH USER I/O PORTS	\$606
A20B-3300-0391	5-6 AXIS PCB, I-B CNC 90B0	\$995	A20B-8002-0040	PCB, RISC	\$656
A20B-3300-0392	PCB, SERVO 4 AXES	\$738	A20B-8002-0130	PCB, INVERTER F/9.5" LCD B/W	\$84
A20B-3300-0393	PCB, SERVO 2 AX HI-SPEED	\$521	A20B-8002-0180	PCB, CONTROL F/HANDY MACH OPER PNL	\$455
A20B-3300-0394	PCB, Servo control (8 axes) 16i. 18i 2ch	\$1,519	A20B-8002-0191	PCB, SUB CPU	\$816
A20B-3300-0395	PCB, SERVO 6 AXES HI SPEED	\$1,082	A20B-8002-0200	KEYBOARD F/HANDY MACHINE OPER PNL	\$95
A20B-3300-0397	PCB, SERVO CARD, LEARN SUB-CPU, HI-SPEED	\$2,152	A20B-8002-0220	PCB, ANALOG INPUT	\$592
A20B-3300-0398	PCB, SERVO 4 AXES HI SPEED	\$824	A20B-8002-0250	PCB, F/PANEL i 15" TOUCH	\$314
A20B-3300-0410	PCB, GRAPHIC DISPLAY Oi-B MATE-A	\$713	A20B-8002-0260	PCB, Machine operator's panel Main S30i	\$490
A20B-3300-0471	PCB, CPU card B3(128MB DRAM)	\$1,758	A20B-8002-0310	PCB, FS30i Touch panel interface	\$104
A20B-3300-0473	PCB, CPU card B1(32MB DRAM)	\$1,423	A20B-8002-0320	PCB, Additional spindle board	\$321
A20B-3300-0474	PCB, CPU card A2(64MB DRAM)	\$1,091	A20B-8100-0060	SUB PCB F/PWR MATE D & H	\$1,314
A20B-3300-0477	PCB, CPU card A1(32MB DRAM) S30i	\$1,045	A20B-8100-0100	HSSB INT PCB TYPE 2 (>12MB)	\$649
A20B-3900-0020	MODULE, SRAM 3MB	\$1,842	A20B-8100-0130	PCB, MAIN BOARD 16i	\$1,710
A20B-3900-0040	MOD,Main memory C (12MB)	\$519	A20B-8100-0135	PCB, MAIN BOARD 18i	\$1,710
A20B-3900-0041	MOD,Main memory B (8MB)	\$360	A20B-8100-0136	PCB, MAIN F/S21i	\$1,710
A20B-3900-0042	MOD,Main memory A(4MB)	\$196	A20B-8100-0137	PCB,Main (PMC-RA1)	\$1,434
A20B-3900-0052	MODULE,SRAM A (512KB)	\$298	A20B-8100-0140	MAIN BOARD 160i	\$2,778
A20B-3900-0053	MODULE,SRAM A (256KB)	\$191	A20B-8100-0142	PCB,MAIN/PENTIUM 16i	\$2,983
A20B-3900-0060	SRAM Memory (2MB)	\$1,589	A20B-8100-0144	PCB,MAIN/486 18i	\$2,983
A20B-3900-0061	MODULE,SRAM C (1MB)	\$833	A20B-8100-0145	PCB,Main with PC (FS180i)	\$2,778
A20B-3900-0070	MOD,PROGRAM MEMORY C (16MB)	\$874	A20B-8100-0146	PCB, MAIN CPU 21i	\$2,960
A20B-3900-0071	MOD,PROGRAM MEMORY B (12MB)	\$672	A20B-8100-0147	PCB, MAIN	\$2,983
A20B-3900-0072	MOD,PROGRAM MEMORY (8MB)	\$467	A20B-8100-0148	PCB, MAIN	\$2,709
A20B-3900-0073	MOD,PROGRAM MEMORY C (6MB)	\$364	A20B-8100-0149	PCB, 210i MAIN(with pentium pc function)	\$2,687
A20B-3900-0074	MOD,PROGRAM MEMORY B (4MB)	\$264	A20B-8100-0152	USE A20B-8100-0262 WHEN OUT	\$562
A20B-3900-0075	MOD,PROGRAM MEMORY A (2MB)	\$161	A20B-8100-0153	PCB,Serial communication B	\$546
A20B-3900-0080	MODULE, FROM/SRAM DIMM	\$959	A20B-8100-0154	USE PA20B-8100-0264	\$665
A20B-3900-0120	FROM/SRAM DIMM	\$1,302	A20B-8100-0155	PCB,PMC-RC	\$649
A20B-3900-0130	MODULE, SDRAM 12M	\$332	A20B-8100-0160	PCB,Data server	\$1,685
A20B-3900-0131	MAIN MEMORY B (8MB)	\$216	A20B-8100-0171	PCB,RISC	\$3,688
A20B-3900-0132	MODULE,MAIN MEMORY A (4MB)	\$196	A20B-8100-0190	PCB, LOADER BOARD	\$877
A20B-3900-0140	MODULE, MEMORY 12M	\$1,191	A20B-8100-0200	PCB,Inverter for 10.4" (4 opt slot)	\$94
A20B-3900-0141	MODULE, SRAM 8MB/1MB	\$1,423	A20B-8100-0201	PCB,Inverter for 8.4" (4 opt slot)	\$99
A20B-3900-0151	MODULE, DRAM 16MB	\$250	A20B-8100-0250	PCB	\$1,339
A20B-3900-0160	MODULE, FROM/SRAM MEMORY C (16M/1M)	\$414	A20B-8100-0261	PCB,C LANGUAGE BOARD	\$731
A20B-3900-0161	MODULE, FROM/SRAM MEMORY D (16M/2M)	\$591	A20B-8100-0262	PCB,SERIAL COMMUNICATION	\$984
A20B-3900-0162	MODULE, FORM/SRAM 16MB/3MB	\$761	A20B-8100-0264	PCB,CAP II	\$961
A20B-3900-0163	MODULE,FORM/SRAM 32MB/1MB	\$480	A20B-8100-0265	PCB, PMC-RC	\$1,050
A20B-3900-0164	MODULE, FORM/SRAM 32MB/2MB	\$647	A20B-8100-0271	PCB, PCB ETHERNET	\$1,589
A20B-3900-0165	MODULE, (FROM 32MB, SRAM 3MB)	\$817	A20B-8100-0310	PCB, I/O LINK 2	\$1,011
A20B-3900-0170	MODULE, Analog spindle	\$133	A20B-8100-0330	PCB,C LANGUAGE	\$763
A20B-3900-0180	MODULE, FORM/SRAM 16MB/256KB	\$355	A20B-8100-0334	PCB, SERIAL COMM BRD A1 RS-232-C	\$893
A20B-3900-0181	MODULE, FROM/SRAM 16M/512K	\$421	A20B-8100-0350	PCB, M-NET	\$619
A20B-3900-0182	PCB, FROM/SRAM mem F(32M/256K)	\$508	A20B-8100-0380	PCB, I/O LINK	\$1,375
A20B-3900-0183	MODULE, FORM/SRAM 32MB/512KB	\$576	A20B-8100-0381	PCB, I/O LINK 2 SLAVE	\$817
A20B-3900-0200	PCB, PMC module S30i	\$257	A20B-8100-0400	PCB, TOUCH PANEL I/F	\$2,778
A20B-8000-0140	PCB, F/A02B-0118-C042/C043	\$273	A20B-8100-0410	PCB, F/9.5" LCD	\$906
A20B-8000-0141	PCB, DPL/MDI UNIT	\$191	A20B-8100-0415	PCB, LCD INTERFACE	\$945
A20B-8000-0490	PCB,F/A02B-0118-C032,C033	\$383	A20B-8100-0430	PROFIBUS MODULE, MASTER	\$2,505
A20B-8000-0700	PCB, PENDANT	\$348	A20B-8100-0440	PCB, PROFIBUS-DP SLAVE	\$1,111
A20B-8001-0120	PCB, A-B ETHERNET	\$2,550	A20B-8100-0450	PCB, ETHERNET i SERIES (SA)	\$1,061
A20B-8001-0121	PCB, AB INTERFACE	\$1,268	A20B-8100-0460	PCB,MAIN 160i	\$2,732
A20B-8001-0150	PCB,SUB I/O DI/DO 52/40	\$617	A20B-8100-0461	PCB, 180i MAIN BD	\$2,732
A20B-8001-0290	HIGH SPEED SERIAL BUS INTER BD	\$738	A20B-8100-0462	PCB,	\$2,732





# A20B-8100-0463

Part Number	Description	Price	Part Number	Description	Price
A20B-8100-0463	PCB,FS210I MAIN	\$2,436	A-2107-0182	REN - MP700 L1000-2000 A/S1250-2000	\$5,718
A20B-8100-0470	PCB, PROFIBUS-DP	\$1,876	A-2107-0303	REN - MP700 A500-1250C PROFI-BUS	\$5,718
A20B-8100-0491	PCB, DEVICENET	\$2,505	A-2107-0304	REN - MP700 A1250-3000 L1250-3000 P	\$5,712
A20B-8100-0510	PCB, DATA SERVER	\$1,541	A-2108-0001	REN - MP700 PROBE MODULE	\$3,465
A20B-8100-0511	PCB, DATA SERVER	\$1,780	A-2108-0101	REN - MP700 CALIBRATION SPHERE KIT	\$499
A20B-8100-0530	PCB, FL-NET	\$685	A-2108-0487	REN - MP700 MODULE SPACER L100	\$1,089
A20B-8100-0540	PCB	\$2,823	A-2113-0040	REN - HYDRAULIC ARM ASSEMBLY	\$4,883
A20B-8100-0542	PCB,F210I MASTER	\$2,801	A-2113-0157	REN - HYDRAULIC CONTROL UNIT	\$1,068
A20B-8100-0550	PCB,ANALOG/LASER	\$444	A-2113-0173	REN - TUBE ASSY A365 7 B312	\$1,100
A20B-8100-0580	PCB, ETHERNET	\$551	A-2113-0180	REN - HYD ARM LP2/FS1 L563.3	\$9,108
A20B-8100-0630	PCB,	\$1,038	A-2113-0201	REN - HYDRAULIC ARM W/ DATUM FEATUR	\$7,800
A20B-8100-0650	PCB, DEVICENET BOARD C	\$801	A-2115-0001	REN - OMI-OPTICAL MACHINE INTERFACE	\$1,470
A20B-8100-0660	PCB, 16i Main CPU	\$1,530	A-2115-0034	REN - OMI FUSE KIT	\$14
A20B-8100-0661	PCB, 18i Main	\$1,834	A-2115-0060	REN - OMI (HERMLE)	\$1,575
A20B-8100-0662	PCB, MAIN CPU 21iB W/O ETHERNET	\$1,036	A-2115-0061	REN - OMI ONLY KIT FOR CM 64205050	\$2,432
A20B-8100-0663	PCB, MAIN CPU 21i-B PMC-SB7 W/O ETHERNET	\$1,219	A-2115-0080	REN - OMI CABLE ASSY A500,750,1000	\$1,800
A20B-8100-0664	PCB, 21i Main, (W/Ethernet, PMC-SA1)	\$1,118	A-2115-0083	REN - OMI/2MT CABLE/BINDER CONNECTO	\$1,470
A20B-8100-0665	PCB, 21i MAIN,(W/Ethmt, PMC-SB7)	\$1,530	A-2115-0098	REN - OMI ASSY HULLER HILLE	\$1,905
A20B-8100-0670	PCB,Ethermet Board Stand Alone	\$1,056	A-2116-0082	REN - TSA PROBE ENCLOSURE 40MM TOOL	\$147
A20B-8100-0710	PCB, INVERTER 9.5" B/W	\$92	A-2116-0109	REN - TSA PROBE ENCLOSURE 25 & 32 M	\$147
A20B-8100-0720	PCB, POWER SUPPLY	\$323	A-2116-0112	REN - TSA ARM BREAK PROTECTION ASSY	\$116
A20B-8100-0721	PCB, POWER SUPPLY	\$323	A-2116-0113	REN - PROBE SERVICE KIT (RP2)	\$68
A20B-8100-0770	PCB, Ethernet Board LCD Mount	\$1,471	A-2116-0117	REN - TSA 25MM PROBE/STYLUS ASSY	\$1,572
A20B-8100-0794	PCB, 21i MAIN BOARD	\$2,101	A-2116-0118	REN - TSA 32MM PROBE/STYLUS ASSY	\$1,572
A20B-8100-0795	PCB,	\$2,269	A-2116-0119	REN - TSA 40MM PROBE/STYLUS ASSY	\$1,572
A20B-8100-0820	PCB,	\$995	A-2116-0153	REN - RP1 RP2 C SPANNER	\$24
A20B-8100-0821	PCB, F/LCD	\$658	A-2116-0200	REN - TSA TOOL SETTING HUB R/H R/E	\$3,678
A20B-8100-0830	PCB, LOADER CONTROL (2 AXES)	\$687	A-2116-0201	REN - TSA TOOL SETTING HUB R/H S/E	\$3,678
A20B-8100-0851	PCB, POWER SUPPLY	\$493	A-2116-0210	REN - TSA TSI-1 INTERFACE UNIT	\$242
A20B-8100-0930	PCB, PANEL i	\$2,482	A-2116-0340	REN - TSA C195 ARM ONLY	\$1,050
A20B-8100-0934	PCB, F/PANEL i 15" TOUCH	\$2,259	A-2116-0343	REN - TSA C225 ARM ONLY	\$1,050
A20B-8100-0961	PCB, HSSB INTERFACE	\$70	A-2116-0348	REN - TSA C275 ARM ONLY	\$1,050
A20B-8100-0962	PCB, FS30i "10.4" clr LCD (w/o Tch p	\$70	A-2116-0352	REN - TSA C315 ARM ONLY	\$1,050
A20B-8100-0969	PCB, FS30i "15" clr LCD (w/o Tch pnl	\$18	A-2116-0358	REN - TSA C375 ARM ONLY	\$1,050
A20B-8100-0980	PCB, FS30i 'Main board A	\$1,255	A-2116-0360	REN - TSA C395 ARM ONLY	\$1,050
A20B-8101-0010	PCB, Power supply unit A	\$232	A-2116-0434	REN - TSA A225 B255 ARM ONLY	\$1,050
A20B-8101-0020	PCB, FS300is Main bd for 10.4"LCD	\$1,758	A-2116-0437	REN - TSA A255 B255 ARM ONLY	\$1,050
A20B-8101-0021	PCB, FS300is Main bd for 15"LCD	\$1,842	A-2116-0621	REN - MP15 HARD WIRED PROBE	\$1,964
A20B-8101-0022	PCB, FS30i 'Main board B	\$1,780	A-2116-0685	REN - MP15F HARD WIRED PROBE	\$1,964
A20B-8101-0030	PCB,FASTEtherboard(withATAadapter	\$897	A-2116-0703	REN - TSA ARM ONLY A149 B265 (CM HA	\$1,050
A20B-8101-0050	PCB, PROFIBUS Master board	\$1,022	A-2116-0734	REN - TSA C395 W/ RP2 HOLDER (UNCUT	\$1,050
A20B-8101-0070	PCB, Additional axis board	\$1,339	A-2116-0735	REN - TSA ARM - STRAIGHT	\$680
A20B-8200-0010	GRAPHICS CONTROL SMD MODULE 2 PAT	\$1,207	A-2116-0760	REN - TSA PROBE HOLDER ASSEMBLY	\$1,050
A20B-8200-0011	PCB,GRAPH ADD-ON 1 PATH	\$872	A-2116-0767	REN - TSA DATUM FEATURE HOLDER	\$522
A20B-9001-0030	PCB,NV RAM	\$19	A-2116-0772	REN - DATUM FEATURE 38X12X12	\$957
A20B-9001-0281	BRACKET F/CRT/MDI	\$490	A-2116-1364	REN - TSA ARM ONLY A216 B280 (CM HA	\$1,050
A20B-9001-0480	PCB,SUB I/O DI/DO 52/40	\$558	A-2116-1370	REN - TSA HUB CONVERSION KIT SE/RE	\$126
A20B-9002-0240	USE A02B-0259-C020 WHEN OUT	\$17	A-2116-1372	REN - TSA DOUBLE BEND TUBE ASSY	\$967
A210-0039-X020	HINGE	\$3	A-2116-1375	REN - TSA 20 DEG ADAPTOR FOR FS1	\$562
A210-0067-V010	COVER	\$43	A-2116-1388	REN - TSA 20 DEG FIXED HOLDER ASSY	\$425
A210-0067-X027	FILTER	\$17	A-2116-1390	REN - TSA ARM ASSEMBLY (NILES)	\$3,500
A210-0088-V010	HINGE	\$23	A-2116-1396	REN - 20 DEG RP1 PROBE HOLDER-WIRED	\$1,470
A210-0090-V004	HINGE ASS'Y	\$23	A-2116-1397	REN - TSA C395 20-DEG HOLDER FOR RP	\$1,376
A210-0090-X012	GROUND BAR FOR 20 CABLE CLAMPS	\$30	A-2116-1459	REN - STR TSA ARM ASSEM L103 LP2HOL	\$1,567
A210-0091-X029	PLATE	\$11	A-2116-1468	REN - TSA TOOL SETTING HUB (CM)	\$3,678
A210-0136-V004	COVER	\$148	A-2116-1617	REN - TSA C395 20DEG HOLDER W/FS1	\$1,739
A210-0168-X021	PLATE	\$6	A-2116-1802	REN - MP15 HARD WIRED PROBE W/ MP10	\$1,964
A210-0181-V008	MAIN DOOR	\$1,159	A-2116-1870	REN - TSA TOOL SETTING HUB (R/E & S	\$3,678
A210-0229-V003#XAP0332	DOOR, A210-0229-V003#XAP0332	\$1,794	A-2116-1895	REN - TSA ARM ASSY A215 B245 DOUBLE	\$1,050
A210-0229-V005#XAP0332	BACK DOOR	\$1,637	A-2116-1925	REN - TSA ARM ASSY A140 B203 W/90 D	\$1,050
A210-0236-V006	ENCLOSURE FRONT DOOR	\$1,350	A-2116-1937	REN - TSA ARM ASSY A215 B275 DOUBLE	\$1,050
A210-0236-V008	DOOR PANEL	\$904	A-2116-2025	REN - TSA A301 B86 ARM 30 DEG RP2 3	\$2,602
A210-0249-X011	PLATE	\$71	A-2137-0150	REN - MP16 RMP2-433MHZ	\$2,727
A210-0259-W022	DOOR F/CHNCI	\$585	A-2137-0160	REN - MI16 INTERFACE-433 MHZ	\$1,558
A210-0259-X005	FILTERS	\$31	A-2137-0170	REN - MP18 RMM2 ANTENNA 433 MHZ	\$292
A210-0260-T005	COVER	\$756	A-2137-0250	REN - MP16 RMP2-224 MHZ	\$2,727
A210-0260-T008	LOCKER ASM, OTC	\$694	A-2137-0260	REN - MI16 INTERFACE-224 MHZ	\$1,558
A210-0260-T009	LOCKER ASM	\$1,268	A-2137-0350	REN - MP16 RMP2-458 MHZ	\$2,727
A210-0260-T010	LOCKER ASM	\$2,129	A-2137-0360	REN - MI16-458 INTERFACE	\$1,558
A210-0262-X024	PLATE	\$72	A-2137-0400	OM16 FOR MP16	\$506
A210-0309-X021	FILTER	\$6	A-2137-0435	REN - MP16 ADAPTER PLATE KIT SHANK	\$250
A-2103-0008	REN - MP3 360-DEGREE 9V STANDARD	\$1,230	A-2137-0468	REN - ADAPTOR RMP2 TO HSK SHANK SWI	\$300
A-2103-0121	REN - MP3 360-DEGREE 9V HI POWER	\$1,292	A-2137-0473	REN - CAT40 MP16 SHANK ASSY SWITCH	\$750
A-2107-0035	REN - MP700 PROBE 35 DEGREE	\$4,240	A-2137-0474	REN - CAT50 MP16 SHANK ASSY SWITCH	\$750
A-2107-0036	REN - MP700 OMP ONLY 35 DEGREE	\$788	A-2137-0475	REN - CAT60 MP16 SHANK ASSY SWITCH	\$1,752
A-2107-0070	REN - MP700 PROBE 70 DEGREE	\$4,240	A-2137-0476	REN - BT40 MP16 SHANK ASSY SWITCH T	\$750
A-2107-0071	REN - MP700 OMP ONLY 70 DEGREE	\$788	A-2137-0477	REN - BT50 MP16 SHANK ASSY SWITCH T	\$750
A-2107-0152	REN - MP700 L1000 (CM)	\$5,748	A-2137-0929	REN - CAT50 MP16 SHANK ASSY SWITCH	\$704
A-2107-0153	REN - MP700 L1250 (CM)	\$5,748	A-2137-8275	REN - MP16 HSK A100 WITH SHANK SWIT	\$1,500
A-2107-0154	REN - MP700 A500,750 (CM)	\$5,748	A-2140-0214	REN - PNEUMATIC PROBE ARM LP2	\$9,713
A-2107-0155	REN - MP700 S500,750,1000 (CM)	\$5,748	A-2140-0290	REN - LINEAR ELEC ARM STROKE 200	\$8,217
A-2107-0156	REN - MP700 S1250,1500,2000 (CM)	\$5,748	A-2140-0349	REN - LIN-TWIST HYD ARM-MOTCH	\$9,312
A-2107-0159	REN - MP700E PROBE 70 DEGREE HI POW	\$4,452	A-2154-0172	REN - MP4RB SPARES KIT	\$75
A-2107-0181	REN - MP700 D500,750 A/S500-1000	\$5,718	A-2157-0001	REN - MI8 4-WIRE INTERFACE	\$184

RENEWAL PARTS  
PRICING

D-74



Part Number	Description	Price	Part Number	Description	Price
A-2157-0003	REN - M18 4-WIRE INTERFACE (MS)	\$184	A230-0444-T001	FRAME	\$25
A-2172-0004	REN - PICS ADAPTOR CABLE PL112 AC2	\$210	A230-0445-T001	PCB SUPPORT	\$19
A-2176-0010	REN - HPPA/HPRA TS12 INTERFACE	\$172	A230-0450-T002	TERM COVER, C-SV	\$32
A-2176-0019	REN - HPRA STORAGE STAND	\$276	A230-0450-T012	CHASSIS, C-SV	\$75
A-2176-0025	REN - HPRA BASE R/E	\$695	A230-0450-T025	TERMINAL COVER ASM	\$11
A-2176-0160	REN - HPRA BASE R/E 180 DEG HANDLE	\$695	A230-0450-T102	TERMINAL COVER ASM.	\$25
A-2176-0187	REN - HPRA BASE S/E	\$695	A230-0450-T112	CHASSIS F/A06B-6066-C	\$43
A-2181-0471	REN - HPMA 6" STD ARM ASSEMBLY	\$3,020	A230-0450-T125	TERMINAL COVER ASM	\$25
A-2181-0473	REN - HPMA 10" STD ARM ASSEMBLY	\$3,020	A230-0450-X002	CHASSIS, C-SV	\$16
A-2181-0645	REN - HPMA 6" R/E HUB AND ARM ONLY	\$4,384	A230-0450-X003	COVER, C-SV	\$13
A-2181-2018	REN - HPMA KIT A435 B350 I/L 90 ARM	\$5,080	A230-0450-X005	TERMINAL COVER	\$10
A-2197-0006	REN - RP3 FRONT COVER KIT	\$70	A230-0450-X013	COVER, C-SV	\$13
A-2212-0001	REN - OMM EXPANSION UNIT	\$729	A230-0450-X023	PLASTIC COVER	\$37
A-2253-0188	REN - NC1 MOUNTING PLATE VERT FACE	\$50	A230-0450-X103	AMP COVER	\$28
A-2253-0264	REN - NC1 AIR NOZZLE KIT	\$70	A230-0450-X106	FACEPLATE	\$15
A-2253-0265	REN - NC1 STACKER PLATE - MODULAR	\$212	A230-0450-X113	COVER FOR AMP (A06B-6089-H101)	\$29
A-2253-0270	REN - NC1 SPACER PLATE - MODULAR	\$95	A230-0450-X122	CHASSIS	\$33
A-2253-0359	REN - NC1 CABLE ASSEMBLY FOR F830 (	\$231	A230-0450-X123	AMP COVER	\$37
A-2253-0369	REN - NC1 BRACKET FOR MAZAK FH4800	\$1,000	A230-0457-T001	BOX ASM. HANDY FILE	\$83
A-2253-0476	REN - NC1 BRACKET FOR HAAS HS1	\$1,000	A230-0457-X003	DOOR HANDY FILE	\$5
A-2253-0517	REN - NC1 BRACKET FOR MITSUBISHI MH	\$1,000	A230-0476-X001	PLASTIC CASE,BASE PWRMT-C	\$17
A-2253-0706	REN - NC1 BRACKET FOR MAZAK FH5800	\$1,000	A230-0476-X002	PLASTIC CASE,COVER PWRMT-C	\$23
A-2253-0924	REN - NC1 MOUNTING PLATE HORIZ FACE	\$50	A230-0476-X002#E	COVER PLATE, PWR MATE D	\$20
A-2253-0925	REN - NC1 ADJUSTER PACK EXTENDED -	\$90	A230-0476-X003	PLASTIC CASE,DOOR PWRMT-C	\$11
A-2253-3500	REN - NC1 TOOL KIT	\$40	A230-0479-T001	PLASTIC CASE	\$132
A-2253-5120	REN - NC1 AIR SUPPLY KIT	\$412	A230-0480-T001	PLASTIC CASE	\$83
A-2253-6105	REN - NC1 12.5M CABLE W/ SHEATHING	\$210	A230-0480-X002	PLASTIC FRAME	\$18
A-2253-6106	REN - NC1 12.5M CABLE W/ SHEATHING	\$231	A230-0481-T001	PLASTIC CASE	\$307
A-2253-7600	REN - NC1 STACKER PLATE W/ 90 DEG -	\$324	A230-0500-T001	PLASTIC CASE F/PWR MATE A	\$27
A-2253-7601	REN - NC1 STACKER SPACER W/ 90 DEG	\$144	A230-0500-T002	PLASTIC CASE	\$29
A-2253-7650	REN - NC1 ADJUSTER PACK - FIXED	\$105	A230-0500-T003	PLASTIC CASE	\$49
A-2253-7800	REN - NC1 INTERFACE FOR ALL NC1 SYS	\$210	A230-0505-T002	CASE ASSY	\$80
A-2253-8510	NC1 F300 KIT FOR TOOLSETTING	\$4,210	A230-0505-X001	PLASTIC CASE ALPHA	\$35
A-2253-ENSHU EV450	REN - NC1 BRACKET FOR ENSHU EV450	\$800	A230-0505-X002	PLASTIC CASE ALPHA	\$6
A-2253-ENSHU JE40F	REN - NC1 BRACKET FOR ENSHU JE40F	\$398	A230-0505-X003#C	COVER	\$18
A-2253-ENSHU JE80	REN - NC1 BRACKET FOR ENSHU JE80	\$1,500	A230-0505-X003#ET	FACE PLATE	\$18
A-2253-MATSURA VDC	REN - NC1 BRACKET FOR MATSURA 600VD	\$1,000	A230-0505-X004	PLASTIC CASE ALPHA	\$7
A-2275-0098	REN - HPPA/HPMA PROBE ENCLOSURE	\$77	A230-0513-V001	BATTERY CASE	\$19
A-2275-0207	REN - HPPA 10" R/E 25MM TOOLING	\$4,000	A230-0513-V002	PLATE ASM.	\$67
A-2275-0271	REN - HPPA 10" S/E 20MM TOOLING	\$4,000	A230-0514-T105#D	COVER 3	\$8
A-2275-0281	REN - HPPA 15" S/E 20MM TOOLING	\$4,000	A230-0514-T105#F	COVER 3	\$8
A230-0181-T001	PLATE ASSEMBLY	\$123	A230-0514-X002	PLASTIC COVER ALPHA	\$5
A230-0254-T002	COVER	\$353	A230-0514-X005#A	COVER 3	\$9
A230-0273-X012	BLIND PLATE	\$2	A230-0526-T001	HEAT SINK ASM.	\$181
A230-0273-X013	BLIND PLATE	\$2	A230-0526-T004	HEAT SINK	\$151
A230-0274-T001	COVER FOR CASSETTE	\$54	A230-0526-T103#A	FACE PLATE	\$12
A230-0277-V001	CASE	\$41	A230-0526-T103#B	FACEPLATE	\$13
A230-0277-X002	COVER	\$9	A230-0526-T103#E	FACE PLATE FOR A06B-6096-H207	\$18
A230-0277-X121	PANEL	\$8	A230-0526-T104#A	FACE PLATE	\$13
A230-0277-X131	PANEL	\$8	A230-0526-T105	FACE PLATE	\$12
A230-0285-T001	PLASTIC FRAME,F/A06B-6052-H002	\$135	A230-0526-X001#A	PLASTIC COVER ALPHA	\$31
A230-0302-X006	PLATE	\$83	A230-0526-X001#B	PLASTIC COVER	\$50
A230-0317-T002	COVER FOR CASSETTE	\$15	A230-0526-X002#A	CASE 2	\$47
A230-0334-T001	BOX ASM	\$799	A230-0526-X002#B	CASE 2	\$76
A230-0334-X001	PG MATE FRONT SIDE C	\$28	A230-0526-X002#C	COVER FOR DRIVE	\$17
A230-0334-X006	SIDE DOOR	\$10	A230-0526-X004#A	FACEPLATE ALPHA	\$14
A230-0334-X013	AIR FILTER	\$2	A230-0526-X006	COVER ALPHA	\$5
A230-0335-T001	OUTSIDE COVER F/PG-MARK II	\$1,459	A230-0527-T103#A	FACE PLATE	\$12
A230-0335-X001	PG MARK II FRONT SID	\$186	A230-0527-T103#B	FACE PLATE	\$11
A230-0335-X004	BOX ASSEMBLY	\$113	A230-0527-T105#A	FLIP UP COVER FOR SVM1-40S	\$7
A230-0335-X007	PLATE	\$8	A230-0527-T105#B	COVER 3	\$7
A230-0335-X008	FILTER COVER	\$5	A230-0527-T105#F	COVER	\$7
A230-0335-X009	BLIND PLATE	\$5	A230-0527-V001	BATT COVER	\$10
A230-0335-X017	AIR FILTER	\$3	A230-0527-X001#A	CASE ALPHA	\$80
A230-0344-X006	SIDE DOOR	\$14	A230-0527-X001#B	CASE 2	\$55
A230-0362-X002	PLASTIC FRAME	\$18	A230-0527-X002	COVER ALPHA	\$13
A230-0363-T001	CASE ASM	\$314	A230-0533-X003	BATTERY CASE	\$9
A230-0382-T001	PLATE ASM.	\$38	A230-0577-X001	Case for I/O module B1,EA,EB (R)	\$8
A230-0388-T001	PCB, FRAME	\$76	A230-0577-X002	Case for I/O module B2,EA,EB (L)	\$8
A230-0397-T003	BOX, I/O MODEL A	\$11	A230-0581-X002#A	CASE 2	\$8
A230-0397-T004	BOX, I/O MODEL A	\$22	A230-0581-X003	LOCK	\$3
A230-0397-X006#A	COVER, I/O MODEL A	\$3	A230-0581-X004	CASE 1	\$18
A230-0416-T001	CASE	\$28	A230-0583-X004	BLANK PANEL	\$3
A230-0421-T001	PLASTIC CHASSIS SET + PCB	\$777	A230-0587-X001	BLANK PANEL	\$26
A230-0422-T001	PLASTIC CHASSIS SET + PCB	\$591	A230-0587-X010	BLANK PANEL	\$7
A230-0429-T001	PLASTIC CHASSIS SET	\$78	A230-0587-X012	PLATE	\$25
A230-0436-V001	BATTERY COVER	\$10	A230-0587-X017	BLANK PANEL	\$3
A230-0436-X001	CASE, 2 SLOT	\$35	A230-0587-X056	BLANK PANEL	\$22
A230-0436-X009	BLANK PANEL	\$9	A230-0589-X001#B	PLASTIC CASE	\$27
A230-0436-X010	CASE, 1-SLOT	\$32	A230-0589-X002	PLASTIC CASE F/SVAMP	\$10
A230-0436-X011	FAN COVER	\$7	A230-0589-X003	COVER	\$6
A230-0436-X147	FACE PLATE	\$11	A230-0602-T105#B	FACE PLATE	\$9
A230-0440-T001	PLATE	\$71	A230-0602-T108	BATTERY CASE	\$15
A230-0443-T001	PLASTIC CASE	\$153	A230-0602-X001#D	CASE1 FOR A06B-6114-H207	\$9



# A230-0602-X002#C

Part Number	Description	Price	Part Number	Description	Price
A230-0602-X002#C	CASE2 FOR A06B-6114-H207	\$8	A250-0788-T001	COVER	\$51
A230-0603-X003	FAN COVER	\$3	A250-0790-T002	PLATE	\$144
A230-0604-T106#A	COVER	\$6	A250-0803-X006	DIODE PLATE A #20	\$9
A230-0604-T106#B	COVER	\$6	A250-0803-X008	DIODE SUPPORT A #20	\$9
A230-0604-T108	BATTERY CASE	\$13	A250-0803-X009	DIODE SUPPORT B #20	\$11
A230-0604-X001	CASE	\$15	A250-0803-X011	DIODE PLATE F #20	\$4
A230-0604-X002	CASE	\$8	A250-0803-X012	DIODE PLATE G #20	\$4
A230-0604-X003	FAN COVER	\$3	A250-0803-X058	DIODE PLATE 3	\$3
A230-0604-X004	COVER	\$3	A250-0803-X061	COOLING PLATE	\$26
A230-0604-X006	COVER	\$3	A250-0803-X062	DIODE PLATE 1	\$8
A230-0606-V001	FRONT CASE F/HANDY MACH OPER PNL	\$120	A250-0803-X063	DIODE PLATE 2	\$6
A230-0606-V002	REAR CASE F/HANDY MACH OPER PNL	\$84	A250-0811-T001	COVER ASM.	\$61
A230-0606-X004	BELT F/HANDY MACH OPER PNL	\$5	A250-0811-X001	COVER	\$33
A250-0189-T020#XAP0106	PLATE (XAP0106)	\$50	A250-0811-X003	KEYTOP	\$39
A250-0189-V010	COVER	\$19	A250-0814-T002	COVER	\$62
A250-0221-X006	COVER	\$280	A250-0814-T007	BRACKET F/A61L-0001-0154	\$61
A250-0250-X002	COVER	\$379	A250-0814-T008	BRACKET F/A61L-0001-0154	\$79
A250-0250-X004	COVER	\$305	A250-0849-T001	PLATE	\$61
A250-0278-X008#P-A	PLATE	\$28	A250-0854-T001	COVER ASM.	\$75
A250-0279-V003	COVER ASM	\$170	A250-0854-T002	COVER ASM.	\$49
A250-0362-T001	CASSETTE HANGER	\$46	A250-0854-V008	PLATE ASM.	\$60
A250-0443-T001	TAPE HOLDER,PPR	\$264	A250-0854-V012	PLATE F/10.4" LCD	\$94
A250-0466-X001	PLATE	\$41	A250-0854-V013	PLATE FOR 10.4"LCD (W/O PC)	\$38
A250-0466-X008	PLATE	\$103	A250-0854-X010#A	Case (No option slot)	\$23
A250-0466-X009	PLATE	\$66	A250-0854-X010#C	Case (No option slot)	\$20
A250-0466-X010	SPACER	\$6	A250-0854-X010#D	CASE, FOR 0 SLOT ( WITH PC )	\$25
A250-0466-X011	SPACER	\$6	A250-0854-X012	Plate for touch panel	\$9
A250-0467-X008	BRACKET F/CRT/MDI	\$3	A250-0854-X013	SOFT KEY COVER	\$21
A250-0492-T001	CRT COVER	\$206	A250-0854-X020#C	Case (2 option slot)	\$16
A250-0492-T005	COVER ASM.	\$269	A250-0854-X020#D	CASE (2 OPTION SLOT) W PC	\$34
A250-0497-T001	PLATE ASS'Y	\$3	A250-0854-X022#A	CASE 4 SLOT	\$18
A250-0497-T002	PLATE ASS'Y	\$3	A250-0854-X022#C	CASE FOR i SERIES 4 SLOT ( W/O PC)	\$30
A250-0503-T003	MOUNTING PLATE FOR MASTER PCB	\$87	A250-0854-X022#D	CASE FOR 4 SLOT ( W/PC)	\$30
A250-0503-V003	PLATE ASSEMBLY	\$58	A250-0854-X023	DOOR 4 SLOT	\$8
A250-0503-X013	PLATE	\$34	A250-0854-X024	FAN COVER 4 SLOT ADDER	\$8
A250-0503-X015	PLATE	\$47	A250-0854-X025#C	CASE F/ 3 SLOT (W/O PC)	\$22
A250-0504-T001	DOOR	\$202	A250-0854-X025#D	CASE FOR 3 SLOT W/PC	\$25
A250-0504-X001	PLATE	\$14	A250-0855-T001	COVER ASS'Y F/8.4" LCD COLOR S161MB	\$69
A250-0512-V001	CRT BEZEL	\$196	A250-0855-V005	PLATE F/8.4" LCD	\$80
A250-0520-T001	PLATE ASM F/CRT/MDI	\$67	A250-0855-V006	PLATE F/8.4" LCD	\$53
A250-0520-X002	BEZEL	\$13	A250-0856-T001	COVER ASM.	\$126
A250-0520-X005	BEZEL	\$13	A250-0856-V006	PLATE F/9.5" LCD	\$101
A250-0542-T001	PANEL ASM F/9" CRT/MDI	\$153	A250-0856-V011	BRACKET F/A61L-0001-0154	\$75
A250-0542-T002	BRACKET	\$28	A250-0856-X001#A	BEZEL	\$11
A250-0542-T005	9" COVER F/CRT	\$116	A250-0856-X004	SOFTKEY COVER	\$21
A250-0543-X002	BEZEL	\$11	A250-0857-T001	COVER	\$44
A250-0618-X003	FRAME, PLASTIC	\$10	A250-0858-T001	COVER ASM.	\$14
A250-0618-X005	FRAME, PLASTIC	\$8	A250-0858-X001	BRACKET	\$11
A250-0618-X006	FRAME, PLASTIC	\$8	A250-0859-T001	COVER ASM.	\$14
A250-0619-T001	CRT/MDI BEZEL	\$26	A250-0860-T001	BEZEL	\$55
A250-0620-T001	9" COVER ASM	\$94	A250-0869-T001	PLATE ASM.	\$125
A250-0621-T001	BEZEL 9" CRT/MDI	\$101	A250-0886-T001	COVER ASSEMBLY	\$13
A250-0621-T002	ESCUTCHEON	\$101	A250-0888-T001	PLATE	\$17
A250-0622-T001	BEZEL	\$143	A250-0889-T004	PCMCIA CARD ADAPTER, 7.2"/8.4" LCD	\$48
A250-0622-T002	BEZEL	\$143	A250-0889-T005	PCMCIA CARD ADAPTER, 9.5"/10.4" LCD	\$48
A250-0622-T009	BEZEL	\$126	A250-0889-T006	PCMCIA CARD ADAPTER, 12.1" LCD	\$51
A250-0626-T001	BEZEL	\$177	A250-8001-X759#P-A	PLATE	\$31
A250-0631-X001	COVER	\$54	A250-8001-Z116#P-B	FRAME, CRT BEZEL	\$94
A250-0641-V009	PLATE	\$312	A250-8001-Z593#A	FRAME FOR 14"TURNABLE CRT/MDI	\$144
A250-0641-X013	PLATE	\$31	A250-8002-X150	PLATE	\$120
A250-0660-T005	PLATES	\$96	A250-8002-X318	PLATE	\$61
A250-0660-T012	PLATE	\$64	A250-8002-X524	PLATE	\$18
A250-0660-T013	PLATE	\$70	A250-8002-X525	PLATE	\$35
A250-0660-T018	PLATE	\$54	A250-8002-X526	PLATE	\$12
A250-0660-X009	PLATES	\$38	A250-8002-X527	ISOLATION SHEET	\$26
A250-0660-X018	PLATE	\$93	A250-8002-X692	FRAME	\$32
A250-0662-T001	PDP COVER	\$133	A250-8002-X924	SERVO AMP PLATE	\$50
A250-0662-X012#A	BEZEL FOR CRT/MDI	\$33	A250-8002-X926	PLATE F/SERVO AMP	\$5
A250-0664-T001	COVER, 9" CRT	\$116	A250-8002-X931	SHORT BAR	\$5
A250-0674-T001	ESCUTCHEON	\$128	A250-8002-X974	USE A230-0500-T002 WHEN OUT	\$19
A250-0689-X004	AIR FILTER	\$2	A250-8002-X975	PLASTIC CHASSIS	\$15
A250-0704-T007	PLATE	\$38	A250-8002-X976	EARTH PLATE	\$2
A250-0718-T001	9" COVER	\$77	A250-8002-X980	SHORT BAR	\$3
A250-0718-X001	ESCUTCHEON -BEZEL	\$9	A250-8002-X980#A	SHORT BAR	\$4
A250-0718-X008#A	COVER,SOFTKEY	\$16	A250-8002-Y466	PLATE	\$42
A250-0719-T001	PLASTIC COVER	\$157	A250-8002-Y478	PLATE	\$32
A250-0719-T003	9" COVER	\$148	A250-8002-Y535	PLASTIC CHASSIS	\$39
A250-0719-T004	COVER/BEZEL	\$94	A250-8002-Y536	PLASTIC FRAME	\$29
A250-0722-T001	14" COVER	\$88	A250-8002-Y537	SHORT BAR	\$50
A250-0723-X002	KEY TOP	\$17	A250-8002-Y615	SHORT BAR	\$122
A250-0727-T001	COVER	\$51	A250-8002-Y617	SHORT BAR	\$111
A250-0727-X002#A	KEY TOP	\$77	A250-8002-Y618	SHORT BAR	\$111
A250-0733-T001	PLATE ASM.	\$272	A250-8002-Y756	PLATE	\$56
A250-0767-T001	COVER	\$55	A250-8002-Y757	PLATE	\$56

RENEWAL PARTS  
PRICING

D-76



FANUC CNC Parts

Part Number	Description	Price	Part Number	Description	Price
A250-8002-Y893	JUMPER STRAP	\$50	A290-0151-T100	Stator F/A30/1200	\$1,685
A250-8002-Z228	PLATE,UPPER SIDE SUPPORT	\$39	A290-0151-T101	Stator F/A30/1200	\$3,620
A250-8002-Z229	PLATE,LOWER SIDE SUPPORT	\$26	A290-0151-T230	Rotor F/A30/1200	\$772
A250-8002-Z230	PLATE,UPPER SIDE SUPPORT	\$27	A290-0151-T231	Rotor F/A30/1200	\$681
A250-8002-Z231	PLATE,LOWER SIDE SUPPORT	\$34	A290-0151-T232	Rotor F/A30/1200	\$603
A250-8002-Z350#064	bus bar	\$14	A290-0151-T233	Rotor F/A30/1200	\$676
A250-8002-Z350#085	BUS BAR	\$14	A290-0152-T100	Stator F/A30/2000	\$1,733
A250-8002-Z350#090	SHORT BAR	\$26	A290-0152-T101	Stator F/A30/2000	\$1,651
A250-8002-Z350#102	SHORT BAR	\$12	A290-0153-T100	Stator F/A30/3000	\$1,699
A250-8002-Z350#124	SHORT BAR	\$28	A290-0153-T101	Stator F/A30/3000	\$1,721
A250-8002-Z350#131	SHORT BAR	\$5	A290-0156-T230	Rotor F/A40/2000	\$640
A250-8002-Z350#64	SHORT BAR	\$13	A290-0156-T231	Rotor F/A40/2000	\$1,141
A250-8002-Z350#85	SHORT BAR	\$14	A290-0156-T232	Rotor F/A40/2000	\$558
A250-8002-Z562	PLATE	\$3	A290-0156-T253	Rotor F/A40/2000	\$924
A250-8002-Z563	PLATE	\$25	A290-0157-T100	Stator F/A40/2000	\$1,733
A250-8002-Z564	PLATE	\$25	A290-0157-T101	Stator F/A40/2000	\$1,746
A250-8002-Z857	EARTH PLATE	\$1	A290-0301-T400	TERMINAL BOX 50S-70S SVMTR	\$913
A250-8002-Z862	SHORT BAR	\$18	A290-0301-T912	BLOWER KIT	\$640
A250-8002-Z863	SHORT BAR	\$28	A290-0301-V900	FAN Assy with connector	\$253
A250-8003-X023	PLATE	\$1	A290-0301-V912	FAN Kit w/4-pin connector	\$380
A250-8003-X090	SHORT BAR	\$35	A290-0301-X008	GASKET F/END CAP 50S-70S SVMTR	\$6
A250-8003-X091	SHORT BAR	\$35	A290-0301-X023	END CAP , 50S-70S	\$40
A250-8003-X092	Bus Bar	\$33	A290-0301-X905	SKIRT	\$161
A250-8003-X093	Bus Bar	\$33	A290-0314-T100	STATOR ASSY	\$330
A250-8003-X193	PLATE	\$8	A290-0315-X005	MOTOR KEY	\$1
A250-8003-X402	PLATE	\$16	A290-0335-T600	FAN ASM F/A300SV(INC.FAN,HOUSING,O-RING)	\$442
A250-8003-X404	PLATE	\$4	A290-0351-T020	COVER	\$112
A250-8003-X405	PLATE	\$7	A290-0371-T601	BRAKE ASSEMBLY	\$742
A250-8003-X691	SHORT BAR	\$123	A290-0372-T140	STATOR	\$271
A250-8003-X762	SHORT BAR	\$54	A290-0372-T141	STATOR AM100	\$235
A270-0027-T001	DUMMY BATTERY	\$76	A290-0372-T260	ROTOR ASS'Y	\$102
A270-0056-T002	PWB FRAME ASM	\$12	A290-0372-T264	ACSVMT Rotor ASM.	\$91
A290-0103-T511	PULSE CODER	\$407	A290-0381-T521	ENCODER,5T HOLLOW SHAFT MOTOR	\$3,757
A290-0115-T650	BRAKE ASSEMBLY	\$421	A290-0390-V550	ENCODER	\$1,011
A290-0121-T100	Stator F/AC3/2000	\$188	A290-0496-T006	BACK PANEL	\$499
A290-0121-T101	Stator F/AC3/2000	\$715	A290-0501-T254	ROTOR ASM	\$519
A290-0121-T230	Rotor F/AC3/2000	\$474	A290-0501-T259	ROTOR ASM	\$439
A290-0121-T231	Rotor F/AC3/2000	\$745	A290-0501-T280	MOTOR Rotor ASSEMBLY(FOR MODEL 10/1 8KW)	\$250
A290-0121-T232	Rotor F/AC3/2000	\$378	A290-0501-T602	BRAKE ASS'Y	\$783
A290-0121-T233	Rotor F/AC3/2000	\$426	A290-0501-T604	BRAKE ASS'Y	\$644
A290-0121-X001	FLANGE,FRONT	\$8	A290-0501-T607	BRAKE ASS'Y	\$152
A290-0121-X009	BEARING HOLDER	\$14	A290-0501-T608	BRAKE ASS'Y	\$690
A290-0121-X035	RED CAP FOR AC MOTOR 0-5	\$6	A290-0501-T609	BRAKE ASS'Y	\$690
A290-0123-T100	Stator F/A3/3000	\$615	A290-0501-T653	BRAKE ASS'Y	\$560
A290-0123-T101	Stator F/A3/3000	\$1,059	A290-0501-V535	OLDHAM COUPLING	\$7
A290-0126-T100	Stator F/AC6/2000	\$294	A290-0501-X031	bearing holder	\$18
A290-0126-T101	Stator F/AC6/2000	\$172	A290-0501-X041	METAL END CAP F/ MTR	\$296
A290-0126-T230	Rotor F/AC6/2000	\$305	A290-0501-X043	GASKET	\$2
A290-0126-T231	Rotor F/AC6/2000	\$888	A290-0501-X048	BEARING HOLDER	\$22
A290-0126-T232	Rotor F/AC6/2000	\$888	A290-0501-X056	COVER	\$14
A290-0126-T233	Rotor F/AC6/2000	\$346	A290-0501-X058	COVER	\$15
A290-0126-T250	Rotor F/AC6/2000	\$159	A290-0501-X503	COUPLING	\$3
A290-0126-T251	Rotor F/AC6/2000	\$201	A290-0501-X531	OLDHAM COUPLING	\$6
A290-0126-T252	Rotor F/AC6/2000	\$170	A290-0502-T040	STATOR ASM	\$754
A290-0126-T253	Rotor F/AC6/2000	\$184	A290-0502-T250	ROTOR ASM	\$546
A290-0127-T100	Stator F/A6/2000	\$330	A290-0502-T280	ROTOR (FOR MODEL 20S/2.8KW)	\$376
A290-0127-T101	Stator F/A6/2000	\$239	A290-0502-T284	ROTOR ASM F/MODEL 20S	\$421
A290-0128-T100	Stator F/A6/3000	\$521	A290-0511-T254	ROTOR ASM	\$282
A290-0128-T101	Stator F/A6/3000	\$202	A290-0511-T259	ROTOR ASM	\$260
A290-0141-T050	FAN FOR A12-30,M40	\$405	A290-0511-T602	BRAKE ASS'Y	\$80
A290-0141-T100	Stator F/AC12/2000	\$417	A290-0511-T603	BRAKE ASS'Y	\$66
A290-0141-T101	Stator F/AC12/2000	\$414	A290-0511-T604	BRAKE ASS'Y	\$410
A290-0141-T230	ROTOR ASM.	\$364	A290-0511-T653	MOTOR BRAKE ASSEMBLY	\$446
A290-0141-T231	Rotor F/AC12/2000	\$248	A290-0511-X054	COVER, SIG. CONNECTOR AT 45 DEG ANGLE	\$10
A290-0141-T232	Rotor F/AC12/2000	\$170	A290-0511-X056	END CAP F/MOTOR	\$11
A290-0141-T233	Rotor F/AC12/2000	\$339	A290-0511-X057	COVER, ABS	\$16
A290-0141-T650	BRAKING ASSEMBLY	\$774	A290-0511-X058	END CAP	\$11
A290-0141-X001	FLANGE,FRONT	\$38	A290-0521-V531	PULSE CODER, 2-0 1-0 2K ABS	\$1,729
A290-0141-X009	BEARING HOUSING	\$16	A290-0521-V532	PULSE CODER,2-0 1-0 2.5K ABS	\$1,865
A290-0141-X035	END CAP	\$10	A290-0521-V533	PULSE CODER,2-0 1-0 3K ABS	\$1,865
A290-0142-T100	Stator F/A12/2000	\$849	A290-0521-V541	P.C. 2KINC 2-0S, 1-0S	\$1,960
A290-0142-T101	Stator F/A12/2000	\$847	A290-0521-V542	PULSE CODER	\$1,960
A290-0143-T100	Stator F/A12/3000	\$952	A290-0521-V543	PULSE CODER	\$1,960
A290-0143-T101	Stator F/A12/3000	\$952	A290-0521-V551	ABS PULSE CDR 2K 2-0S TO 1-0S	\$1,733
A290-0145-T230	Rotor F/AC22/1500	\$446	A290-0521-V552	ABS PULSE CDR 2.5K 2-0S TO 1-0	\$1,733
A290-0145-T231	Rotor F/AC22/1500	\$494	A290-0521-V553	ABS PULSE CDR 3K 2-0S TO 1-0	\$1,733
A290-0145-T232	Rotor F/AC22/1500	\$442	A290-0521-V561	PULSE CODER,2-0 1-0 10K	\$1,764
A290-0145-T233	Rotor F/AC22/1500	\$501	A290-0521-V562	PULSE CODER,2-0 1-0 12.5K	\$1,913
A290-0146-T100	Stator F/A22/1500	\$606	A290-0521-V563	PULSE CODER,2-0 1-0 15K	\$1,764
A290-0146-T101	Stator F/A22/1500	\$1,901	A290-0521-V564	PULSE CODER,2-0 1-0 20K	\$1,913
A290-0147-T100	Stator F/A22/2000	\$1,220	A290-0521-V565	2-0S 25K ENCODER	\$1,913
A290-0147-T101	Stator F/A22/2000	\$1,220	A290-0521-V566	PULSE CODER	\$1,474
A290-0148-T100	Stator F/A22/3000	\$2,709	A290-0521-V567	PULSE CODERS W2500 CYCLES/REV	\$1,589
A290-0148-T101	Stator F/A22/3000	\$1,876	A290-0521-V568	PULSE CODERS W3000 CYCLES/REV	\$1,589

RENEWAL PARTS  
PRICING

D-77





# A290-0521-V581

Part Number	Description	Price	Part Number	Description	Price
A290-0521-V581	ABSOLETE PULSE CODER	\$1,673	A290-0754-V410	COVER PLATE	\$22
A290-0522-T258	ROTOR ASSEMBLY WITH KEYWAY	\$271	A290-0754-V513	SENSOR COVER	\$22
A290-0561-T504	PULSE CODER 2K INC	\$503	A290-0754-X006	BEARING COVER	\$6
A290-0561-T505	PULSE CODER 2.5K INC	\$491	A290-0754-X022	RUBBER PACKING	\$3
A290-0561-T506	PULSE CODER 3K INC	\$491	A290-0754-X034	TACH COVER	\$9
A290-0561-T543	USE A860-0326-T103	\$758	A290-0754-X310	SENSOR HOUSING	\$68
A290-0561-T572	ENCODER 1MMABS SERIAL W ENDCAP	\$981	A290-0754-X501	HOUSING, SPMTR 6S, 8S, 8P	\$22
A290-0561-T574	SERVO ENC 40K INC/SRL	\$590	A290-0755-X006	BEARING COVER	\$5
A290-0561-V501	PULSE CODER 2K INC	\$1,268	A290-0756-T330	SENSOR, AC SPINDLE	\$863
A290-0561-V502	PULSE ENCODER 2500P INC	\$1,268	A290-0756-T501	FAN KIT FOR SERVO MOTOR	\$348
A290-0561-V503	PULSE CODER ASM. 3K INC	\$1,172	A290-0756-V365	SENSOR, AC SPINDLE	\$5,123
A290-0561-V531	ABS PULSE CODER 2K	\$1,662	A290-0756-X006	BEARING COVER	\$6
A290-0561-V532	ABS PULSE CODER 2.5K	\$1,662	A290-0756-X501	END CAP F/MOTOR	\$30
A290-0561-V533	PULSE CODER ABS 3K	\$1,842	A290-0760-X006	BEARING COVER	\$15
A290-0561-V561	PULSE CODER 10K HI-RES	\$1,769	A290-0766-V341	BUILT-IN SENSOR,ALP 0.5	\$968
A290-0561-V562	PULSE CODER 12.5K HI-RES	\$1,769	A290-0780-T510	FAN UNIT ASSEMBLY	\$672
A290-0561-V563	PULSE CODER 15K HI-RES	\$1,769	A290-0801-C303	INPUT UNIT B	\$2,035
A290-0561-V564	PULSE CODER 20K HI-RES	\$1,806	A290-0805-V001	SPARE	\$25
A290-0561-V565	PULSE CODER 25K HI-RES	\$1,842	A290-0805-X006	TERMINAL BOX	\$8
A290-0561-V566	PULSE CODER 20K HI-SPD/HI-RES	\$1,541	A290-0805-X009	GASKET	\$3
A290-0561-V567	PULSE CODER 25K HI-SPD/HI-RES	\$1,541	A290-0808-T400	HEAT SINK FOR DC MOTOR	\$879
A290-0561-V568	PULSE CODER 30K HI-SPD/HI-RES	\$1,541	A290-0816-X011	KEY	\$2
A290-0561-V569	SERIAL PULSE CODER 1M PPR	\$1,614	A290-0820-V001	BRUSH	\$46
A290-0561-V571	PULSE COPER 10K P/R	\$1,243	A290-0832-T500	FAN COVER AP50 R (INCL FAN)	\$1,603
A290-0571-T051	FAN KIT ALPHA 12-40	\$485	A290-0832-T501	FAN COVER AP50 F	\$1,578
A290-0571-X003	BEARING HOLDER	\$191	A290-0850-T400	TERMINAL BOX ASM.	\$168
A290-0571-X052	STANDOFF	\$8	A290-0850-T500	FAN UNIT	\$248
A290-0572-T101	STATOR ASSEMBLY	\$1,243	A290-0850-T501	FAN ASM ( INCL END CAP )	\$237
A290-0572-T230	ROTOR FOR MOTOR	\$2,020	A290-0850-X310	CONNECTOR BOX	\$20
A290-0572-T234	ROTOR ASSEMBLY	\$2,188	A290-0850-X501	SPINDLE MOTOR END CAP	\$14
A290-0581-T052	FAN ASM. MODEL 40 MTR	\$109	A290-0853-T400	TERMINAL BOX ASM.	\$85
A290-0581-V052	FAN ASSEMBLY	\$640	A290-0853-T401	TERMINAL BOX ASM.	\$176
A290-0601-T001	OIL SEAL	\$55	A290-0853-T550	FAN KIT EXHAUST REAR A2,A3	\$54
A290-0601-T5	SP TYP RESOLVER	\$1,415	A290-0853-T551	FAN KIT AIR TO FRONT A2, A3	\$46
A290-0601-T700	TACHOGENERATOR FOR DC MOTOR	\$842	A290-0853-V350	SENSOR BUILT-IN ALPHA 1,1.5	\$351
A290-0601-T701	TACHOMETER	\$583	A290-0853-V410	TERMINAL BOX COVER	\$40
A290-0601-T711	TACHO GENERATOR(BRUSHLESS)	\$1,125	A290-0853-X501	FAN COVER A2,A3	\$22
A290-0601-T901	OIL SEAL	\$319	A290-0854-T400	TERMINAL BOX ASM.	\$204
A290-0601-V001	BRUSH	\$7	A290-0854-T401	TERMINAL BOX ASM.	\$294
A290-0601-V301	BRUSH HOLDER	\$14	A290-0854-T408	TERMINAL BOX	\$204
A290-0601-X009	BRUSH CAP	\$1	A290-0854-T504	FAN ASM ( END CAP + FAN )	\$540
A290-0601-X713	TACH BRUSH	\$5	A290-0854-T551	FAN KIT AIR TO FRONT A6, A8	\$71
A290-0601-X726	BRUSH HOLDER	\$8	A290-0854-V320	SENSOR ASM ALP2-40,P8-60	\$264
A290-0632-V001	BRUSH	\$6	A290-0854-V330	SENSOR BUILTIN ALPHA2-60,P8-60 W/O CABLE	\$690
A290-0641-V001	BRUSH	\$5	A290-0854-V350	BUILT-IN SENSOR	\$351
A290-0651-T610	BRAKE	\$726	A290-0854-V410	TERMINAL BOX COVER ALPHA SP	\$38
A290-0651-V001	BRUSH	\$6	A290-0854-X310	SENSOR PART	\$38
A290-0651-V301	BRUSH HOLDER FOR 30M DC MTR	\$11	A290-0854-X401	SPINDLE MOTOR PART	\$16
A290-0651-V501	PULSE CODER DC MOTOR	\$1,243	A290-0854-X501	FAN COVER A6,A8	\$21
A290-0651-V503	RESOLVER, DCMTR 3KP/REV	\$1,243	A290-0856-T504	FAN ASM. AT15/10000	\$464
A290-0651-V511	PULSE CODER, DC MOTOR	\$1,047	A290-0856-T550	FAN KIT EXH RR A12,A15,A18,A22	\$75
A290-0651-V512	PULSE CODER	\$1,061	A290-0856-T551	FAN KIT AIR TO FRONT A12-A22	\$74
A290-0651-V513	PULSE CODER 3000P F/DC MTR	\$1,077	A290-0856-X501	FAN COVER A12-A22	\$28
A290-0651-X034	RUBBER TUBE 20	\$3	A290-0858-T160	STATOR ASSY	\$1,746
A290-0651-X035	RUBBER TUBE 22	\$3	A290-0860-T400	TERMINAL BOX ALPHA 40HV	\$893
A290-0653-T102	DC MOTOR SHELL	\$1,614	A290-0866-T160	STATOR	\$1,084
A290-0653-T200	ROTOR ASSY DCSVM	\$2,641	A290-0866-T320	PULSE GENERATOR A0.5	\$376
A290-0731-T420	TERMINAL BOX ASM	\$1129	A290-0866-T350	SENSOR ASM ALPHA 0.5 SPINDLE	\$442
A290-0731-T421	TERMINAL BOX ASM	\$239	A290-0883-T500	FAN & COVER F/A60HV SPINDLE MOTOR	\$1,603
A290-0731-T451	TERMINAL BOX,SP MTR	\$164	A290-0922-T113	STATOR FOR BUILT IN SP MTR	\$1,107
A290-0731-T455	TERMINAL BOX aP30-aP50	\$83	A290-0922-T198	STATOR ASM, BUILT IN SPINDLE MOTOR	\$1,357
A290-0731-T460	TERMINAL BOX ASM	\$248	A290-0922-T211	ROTOR FOR BUILT IN SP MTR	\$376
A290-0731-T510	END CAP F/ALPHA P3 & P40	\$676	A290-0926-T114	STATOR	\$2,113
A290-0731-T511	FAN COVER AP3/AP40	\$610	A290-0926-T201	ROTOR	\$1,407
A290-0731-V410	TERMINAL BOX COVER,SP MTR aP30-aP50	\$26	A290-0935-T113	STATOR ASS'Y FOR BUILT IN MOTOR	\$3,338
A290-0731-X003	GEAR, SENSOR	\$45	A290-0946-T119	STATOR ASS'Y	\$4,421
A290-0731-X022	SENSOR	\$36	A290-0953-T113	STATOR FOR A06B-0953-B612#3000	\$845
A290-0733-X011	KEY, F/SPMTR	\$13	A290-0953-T211	ROTOR F/A06B-0953-B612	\$537
A290-0739-X022	Z-RING, A6-A60	\$29	A290-0958-T115	STATOR	\$2,755
A290-0750-X022	REVOLUTION RING	\$28	A290-1001-V410	COVER PLATE	\$21
A290-0750-X501	END CAP F/MOTOR	\$16	A290-1001-X005	SENSOR GEAR	\$38
A290-0752-T320	BUILT-IN SENSOR	\$745	A290-1002-X005	GEAR, SENSOR	\$32
A290-0752-X022	RING FOR Z SIGNAL	\$22	A290-1002-X332	SENSOR HOLDER	\$60
A290-0753-T410	TERMINAL BOX ASS'Y	\$102	A290-1003-T230	SENSOR UNIT	\$349
A290-0753-T510	FAN HOUSING	\$182	A290-1003-T450	TERMINAL BOX ASM	\$172
A290-0753-T511	FAN HOUSING	\$248	A290-1003-T459	TERMINAL BOX	\$158
A290-0753-X402	ELECTRIC BOX FOR MOTOR	\$8	A290-1003-T500	FAN ASM ( INCL. FAN & END CAP )	\$346
A290-0753-X511	END CAP F/MOTOR	\$19	A290-1003-V320	SENSOR ASM F/MOD 1-15	\$307
A290-0754-T330	BUILT-IN SENSOR	\$745	A290-1003-X003	GEAR, SENSOR	\$44
A290-0754-T331	BUILT-IN SENSOR	\$745	A290-1003-X005	GEAR, SENSOR	\$36
A290-0754-T400	TERMINAL BOX ASSEMBLY	\$99	A290-1003-X402	PLATE	\$14
A290-0754-T500	FAN UNIT	\$246	A290-1003-X438	TERMINAL BOX	\$51
A290-0754-T501	FAN HOUSING	\$332	A290-1003-X450	PLATE	\$13
A290-0754-T600	FAN & TERMINAL BOX	\$485	A290-1012-T500	FAN ASM	\$446

RENEWAL PARTS  
PRICING

D-78



FANUC CNC Parts

Part Number	Description	Price	Part Number	Description	Price
A290-1012-T501	FAN/END CAP ASM	\$437	A290-4520-V411	RADIATOR	\$1,177
A290-1012-X402	COVER PLATE,18S 22S	\$17	A290-4520-V412	RESONATOR RADIATOR BP	\$1,566
A290-1018-T400	TERMINAL BOX ASM	\$335	A290-4520-V414	RESONATOR RADIATOR CP	\$858
A290-1018-T403	TERMINAL BOX	\$246	A290-4520-V416	RESONATOR RADIATOR CP	\$861
A290-1018-T511	FAN & END CAP F/SPMTR 18	\$417	A290-4520-V420	RESONATOR FAN AD	\$455
A290-1018-V510	NET ASS'Y	\$17	A290-4520-V440	RF RADIATOR	\$820
A290-1018-X522	FAN HOUSING, SPMTR 30S	\$67	A290-4520-X024	SHUTTER MIRROR	\$650
A290-1040-T433	TERMINAL BOX	\$478	A290-4520-X030	LASER, ELECTRODE ROD	\$15
A290-1040-T434	TERMINAL BOX	\$478	A290-4520-X035	LASER, ELECTRODE ROD	\$16
A290-1040-T500	FAN ASSEMBLY	\$1,662	A290-4520-X083	BASE PLATE	\$39
A290-1040-X001	FLANGE, FRONT	\$660	A290-4521-X216	LASER FITTING PLATE	\$22
A290-1040-X011	MOTOR KEY	\$7	A290-4521-X252	CAP B, COOLING	\$49
A290-1040-X402	TERMINAL BOX LID	\$25	A290-4522-V121	NOZZLE B ASSEMBLE	\$141
A290-1040-X501	FAN HOUSING (60HV)	\$367	A290-4522-V200	LASER BEAM ABSORBER	\$499
A290-1221-T211	STATOR FOR BUILT IN SPINDLE MOTOR	\$555	A290-4523-V370	CORD GRIP LASER	\$94
A290-1222-T290	MOTOR ROTOR	\$1,603	A290-4530-V010	DISCHARGE TUBE	\$906
A290-1223-T211	STATOR FOR BUILT IN SPINDLE MOTOR	\$464	A290-4530-V023	BEAM ABSORBER	\$3,182
A290-1232-T261	ROTOR FOR BUILT IN SPINDLE MOTOR	\$1,746	A290-4531-V201	LASER BEAM ABSORBER	\$1,073
A290-1233-T411	STATOR ASSY, BUILT IN MOTOR	\$3,860	A290-4531-X186	MIRROR HOLDER B	\$421
A290-1234-T211	BUILT IN ROTOR	\$981	A290-4532-V032	COPPER STRIP FEEDER (MB #1 - DT #2)	\$64
A290-1261-T211	ROTOR F/BUILT IN SPMTR	\$1,038	A290-4532-V033	COPPER STRIP FEEDER (MB #4 - DT #5)	\$64
A290-1261-T410	STATOR F/BUILT IN SPMTR	\$4,440	A290-4532-V121	LASER, NOZZLE B	\$209
A290-1272-T212	ROTOR	\$2,391	A290-4532-V200	BEAM ABSORBER	\$1,387
A290-1401-V036	SENSOR CABLE Mi, M2i ALPHA 0.5i	\$65	A290-4532-V315	EXTERNAL PANEL C3000C LASER	\$117
A290-1402-T500	END CAP (INCL.FAN MOTOR )A1i-A1.5i RR	\$207	A290-4532-X031	COPPER STRIP FEEDER A (DT #1.6)	\$15
A290-1402-T501	END CAP (INCL.FAN MOTOR )A1i-A1.5i F	\$202	A290-4532-X032	COPPER STRIP FEEDER B (DT #2.5)	\$22
A290-1402-X501	FAN HOUSING, A1i-A1.5i SP MTR	\$13	A290-4532-X040	SENSOR BASE	\$80
A290-1404-T500	END CAP (INCL.FAN MOTOR )A2i-A3i RR	\$660	A290-4532-X041	SENSOR HOLDER	\$17
A290-1404-T501	END CAP (INCL.FAN MOTOR )A2i-A3i F	\$398	A290-4532-X042	BASE BLOCK	\$37
A290-1404-X501	FAN HOUSING, A2i-A3i SP MTR	\$10	A290-4532-X263	CLAMP A, LASER	\$151
A290-1406-T400	END CAP	\$56	A290-4532-X264	CLAMP B, LASER	\$151
A290-1406-T500	END CAP (INCL.FAN MOTOR )A6i-A8i RR	\$467	A290-4532-X265	LASER COVER	\$33
A290-1406-T501	END CAP (INCL.FAN MOTOR )A6i-A8i F	\$417	A290-4532-X266	LASER CLAMP	\$75
A290-1406-V370	THERMISTER FOR SPINDLE MOTOR	\$13	A290-4532-X267	LASER CLAMP	\$75
A290-1406-X501	FAN HOUSING, A6i-A8i SP MTR	\$13	A290-4533-T001	LASER DISCHARGE TUBE	\$1,387
A290-1408-T500	END CAP (INCL.FAN MOTOR )A12i-A22i RR	\$643	A290-4533-V030	COPPER STRIP FEEDER (MB #2 - DT #3)	\$86
A290-1408-T501	END CAP (INCL.FAN MOTOR )A12i-A22i SPMTR	\$467	A290-4533-V031	COPPER STRIP FEEDER (MB #3 - DT #4)	\$86
A290-1408-X501	FAN HOUSING, A12i-A22i SPMTR	\$17	A290-4533-V032	COPPER STRIP FEEDER (MB #1 - DT #1)	\$97
A290-1410-T400	TERMINAL BOX, A18/7Ki, A22/7Ki	\$164	A290-4533-V033	COPPER STRIP FEEDER (MB #4 - DT #6)	\$97
A290-1410-X401	PARTS FOR SPINDLE TERMINAL BOX	\$13	A290-4533-V300	PANEL	\$246
A290-1410-X402	PARTS FOR SPINDLE TERMINAL BOX	\$9	A290-4533-X033	COPPER STRIP FEEDER (DT #3,4)	\$48
A290-1412-X501	FAN HOUSING, AP30i-AP50i SP MTR	\$870	A290-4540-V031	COPPER STRIP FEEDER (MB #1 - DT #1)	\$78
A290-4512-V400	LASER AT(LITE)(STANDARD)	\$36	A290-4540-V032	COPPER STRIP FEEDER (MB #1 - DT #2)	\$59
A290-4512-V401	PATLITE	\$257	A290-4540-V033	COPPER STRIP FEEDER (MB #2,3 - DT #	\$62
A290-4512-V404	PATLITE	\$426	A290-4540-V034	COPPER STRIP FEEDER (MB #2,3 - DT #	\$51
A290-4513-T020	LASER DISCHARGE TUBE ( CERAMIC )	\$1,355	A290-4540-V035	COPPER STRIP FEEDER (MB #4 - DT #7)	\$59
A290-4513-T021	DISCHARGE TUBE ( CERAMIC )	\$1,355	A290-4540-V036	COPPER STRIP FEEDER (MB #4 - DT #8)	\$78
A290-4513-V010	DISCHARGE TUBE ASSEMBLY	\$220	A290-4540-V300	PLATE	\$253
A290-4513-V020	SHUTTER	\$3,028	A290-4540-V309	LASER, PANEL	\$107
A290-4513-V030	LASER, ELECTRODE FEEDER	\$28	A290-4540-V310	LASER, PANEL	\$167
A290-4513-V031	LASER, ELECTRODE FEEDER	\$21	A290-4540-V311	LASER, PANEL	\$124
A290-4513-V040	PRESSURE CONTROLLER	\$12,523	A290-4540-X030	COPPER STRIP FEEDER (DT - TRIG)	\$10
A290-4513-V080	EXHAUST CONTROLLER	\$1,070	A290-4540-X235	BEAM COVER PIPE	\$59
A290-4513-V085	EXHAUST PUMP UNIT	\$4,508	A290-4540-X236	BEAM COVER PIPE	\$59
A290-4513-V410	RADIATOR AP (RESONATOR)	\$826	A290-4540-X239	ROD	\$45
A290-4513-V415	RADIATOR BP (RESONATOR)	\$826	A290-4540-X240	LASER, ROD B	\$55
A290-4513-V440	RF RADIATOR UNIT	\$924	A290-4540-X241	WASHER	\$9
A290-4513-X090	LASER, C1500 ELECTRODE ROD	\$12	A290-4560-V200	LASER BEAM ABSORBER	\$1,482
A290-4513-X091	LASER, C1500 ELECTRODE ROD	\$13	A290-4561-T003	DISCHARGE TUBE	\$1,835
A290-4513-X251	LASER, MIRROR HOLDER	\$346	A290-4561-T004	DISCHARGE TUBE	\$1,743
A290-4513-X252	COOLING CAP FOR FOLDING MIRROR	\$22	A290-4561-V600	COPPER STRIP FEEDER A (MB #1 - DT #	\$56
A290-4515-V010	DISCHARGE TUBE	\$1,141	A290-4561-V601	COPPER STRIP FEEDER B (MB #1 - DT #	\$61
A290-4515-V122	LASER NOZZLE	\$524	A290-4561-V602	COPPER STRIP FEEDER C (MB #1 - DT #	\$70
A290-4515-V800	WATER DISTRIBUTION UNIT	\$1,157	A290-4561-V603	COPPER STRIP FEEDER D (MB #1 - DT #	\$57
A290-4515-X086	BASE PLATE	\$57	A290-4561-V604	COPPER STRIP FEEDER E (MB #2 - DT #	\$58
A290-4515-X088	BASE PLATE	\$52	A290-4561-V605	COPPER STRIP FEEDER F (MB #2 - DT #	\$76
A290-4515-X708	MIRROR, SHUTTER	\$815	A290-4561-V606	COPPER STRIP FEEDER G (MB #2 - DT #	\$73
A290-4516-T001	LASER DISCHARGE TUBE	\$877	A290-4561-V607	COPPER STRIP FEEDER H (MB #2 - DT #	\$62
A290-4516-V020	USE A98L-0005-0187 W/OUT	\$392	A290-4561-V608	COPPER STRIP FEEDER J (MB #3 - DT #	\$64
A290-4516-V030	COPPER STRIP FEEDER A (MB#1.2 - DT#	\$43	A290-4561-V609	COPPER STRIP FEEDER K (MB #3 - DT #	\$69
A290-4516-V031	COPPER STRIP FEEDER B (MB#1.2 - DT#	\$47	A290-4561-V610	COPPER STRIP FEEDER L (MB #3 - DT #	\$77
A290-4516-V150	REAR HOLDER FOR LASER MIRROR	\$1,104	A290-4561-V611	COPPER STRIP FEEDER M (MB #3 - DT #	\$64
A290-4516-X034	COPPER STRIP FEEDER C (DT #1,3)	\$13	A290-4561-V612	COPPER STRIP FEEDER N (MB #4 - DT #	\$50
A290-4516-X035	COPPER STRIP FEEDER D (DT #1,2,3,4)	\$10	A290-4561-V613	COPPER STRIP FEEDER P (MB #4 - DT #	\$67
A290-4516-X036	COPPER STRIP FEEDER (DT - TRIG)	\$12	A290-4561-V614	COPPER STRIP FEEDER Q (MB #4 - DT #	\$65
A290-4516-X186	RING, LASER	\$39	A290-4561-V615	COPPER STRIP FEEDER R (MB #4 - DT #	\$54
A290-4516-X204	SHUTTER MIRROR	\$202	A290-4601-V030	LAMP HOLDER	\$75
A290-4520-T020	LASER DISCHARGE TUBE	\$1,389	A290-4601-X009	LAMP FLOW TUBE	\$75
A290-4520-T021	LASER DISCHARGE TUBE	\$1,389	A290-4601-X029	SLAB SEAL GASKET	\$71
A290-4520-V010	DISCHARGE TUBE	\$920	A290-4602-V031	LAMP ADAPTER	\$75
A290-4520-V020	SHUTTER	\$8,379	A290-7202-X901	FACE COVER	\$61
A290-4520-V023	BEAM ABSORBER	\$1,906	A290-7202-X902	BOTTOM COVER	\$51
A290-4520-V085	EXHAUST PUMP	\$5,829	A290-7202-X903	LEVER	\$8
A290-4520-V410	RADIATOR AP	\$1,059	A290-7202-X905	SPRING	\$1

RENEWAL PARTS  
PRICING

D-79



# A290-7202-X909

Part Number	Description	Price	Part Number	Description	Price
A290-7202-X909	LCD BEZEL	\$21	A370-1106-0004	LABEL F/PMC CASSETTE	\$1
A290-7202-X910	BELT	\$17	A370-1129-0023	LABEL	\$8
A290-7202-X934	SPRING	\$1	A370-1141-0001	NAMEPLATE	\$3
A290-7202-X955	COVER	\$59	A370-1146-0105	STICKER	\$4
A290-7202-X956	TAPE	\$4	A370-1146-0106	STICKER	\$3
A300-0001-0022#L38.4	SPACER	\$2	A370-1149-0001#01	LABEL	\$11
A300-0001-0022#L44.0	STUD BOLT	\$1	A370-1149-0001#02	LABEL	\$11
A300-0001-0056#M3X18.8	STUD	\$1	A370-1150-0001	LABEL F/PMC CASSETTE	\$5
A300-0001-0060	HANGER FOR HMOP	\$6	A370-1150-0003	NAMEPLATE	\$5
A300-0001-X088	TERMINAL COVER	\$8	A370-1150-0005	NAMEPLATE	\$5
A300-0001-X091	TERMINAL COVER	\$19	A370-1150-0010	LABEL	\$5
A300-0009-X352	SEAL	\$3	A370-1150-0011	LABEL	\$5
A300-0009-X354	SEAL	\$4	A370-1169-0001	LABEL, LADDER EDITOR MODULE	\$6
A300-0009-X413	SEAL	\$2	A370-1188-0001-K	NAMEPLATE	\$1
A300-0009-X429#D	SEAL FOR DRIVES	\$3	A370-2001-0312	LABEL	\$3
A30L-0010-0058	KNOB	\$5	A370-2001-0313	LABEL	\$3
A30L-0010-0075#3X6	SCREW F/CONNECTOR UNIT	\$1	A370-2001-0323	LABEL	\$3
A370-0170-0001	NAME PLATE	\$6	A370-3075-0001	LABELATE	\$1
A370-0211-0001	NAMEPLATE	\$5	A370-3075-0025	LABEL	\$2
A370-0249-0020	NAMEPLATE (GEFANUC)	\$10	A370-3075-0125	LABEL	\$2
A370-0277-0007	NAMEPLATE	\$3	A370-8010-0001	OVERLAY F/FAPT, PG-MATE	\$11
A370-0287-0003	NAMEPLATE	\$3	A370-8010-0002	OVERLAY F/FAPT DOCT., PG-MATE	\$11
A370-0287-0005	NAMEPLATE	\$2	A370-8011-0001	OVERLAY F/FAPT, PG-MARK II	\$15
A370-0287-0007	NAMEPLATE	\$2	A370-8011-0002	OVERLAY F/SYM FAPT, PG-MARK II	\$15
A370-0292-0001	NAMEPLATE O-TA (GE FANUC)	\$2	A370-8011-0003	OVERLAY F/FAPT DOCT.PG-MARK II	\$15
A370-0294-0007	NAMEPLATE, GE FANUC 11M	\$3	A370-8011-0004	OVERLAY F/FAPT TEACH PG-MK II	\$15
A370-0294-0024	NAMEPLATE, GE FANUC O-P	\$3	A370-8014-0004	PANEL, I/O MODEL A	\$2
A370-0294-0031	NAMEPLATE, GE FANUC 110M	\$3	A370-8014-0006	PANEL, I/O MODEL A	\$2
A370-0295-0004	NAMEPLATE, GE FANUC 11M	\$2	A370-8014-0008	PANEL, I/O MODEL A	\$2
A370-0295-0007	NAMEPLATE	\$2	A370-8015-0003#01	PLATE, I/O MODEL A	\$5
A370-0295-0015	NAMEPLATE, GE FANUC 110M	\$2	A370-8015-0003#02	PLATE, I/O MODEL A	\$5
A370-0337-0001	NAMEPLATE, AMADA	\$18	A370-8015-0003#03	PLATE, I/O MODEL A	\$5
A370-0340-0008	NAMEPLATE, GE FANUC	\$3	A370-8015-0003#04	PLATE, I/O MODEL A	\$5
A370-0340-0025	NAMEPLATE, O-P	\$4	A370-8015-0003#05	PLATE, I/O MODEL A	\$5
A370-0340-0032	NAMEPLATE F/O-GSC	\$4	A370-8015-0003#07	PLATE, I/O MODEL A	\$5
A370-0340-0037	PM CRT/MDI NAMEPLATE	\$4	A370-8015-0003#08	PLATE, I/O MODEL A	\$5
A370-0340-0044	NAMEPLATE	\$4	A370-8015-0003#10	PLATE, I/O MODEL A	\$5
A370-0340-0054	NAMEPLATE S21-T	\$9	A370-8015-0004	PLATE, I/O MODEL A	\$4
A370-0343-0003	NAMEPLATE 150-M	\$3	A370-8015-0005	PLATE I/O MODEL A	\$4
A370-0343-0004	NAMEPLATE 150-T	\$3	A370-8015-0006#01	PLATE I/O MODEL A	\$5
A370-0344-0001	NAMEPLATE	\$6	A370-8015-0006#03	PLATE I/O MODEL A	\$5
A370-0344-0002	NAMEPLATE 15-T	\$6	A370-8015-0006#04	PLATE I/O MODEL A	\$5
A370-0344-0020	NAMEPLATE 150-T	\$6	A370-8015-0009	PLATE, I/O MODEL A	\$15
A370-0344-0021	NAMEPLATE 150-M	\$6	A370-9001-0236	DOOR INTERLOCK PLATE	\$1
A370-0382-0001	NAMEPLATE	\$3	A370-9001-0244	NAMEPLATE	\$24
A370-0383-0001	NAMEPLATE	\$2	A370-9001-0500	NAMEPLATE	\$10
A370-0383-0002	NAMEPLATE	\$2	A370-9001-0546	NAMEPLATE	\$1
A370-0414-0001	NAMEPLATE CABINET	\$9	A370-9001-0591	NAMEPLATE	\$23
A370-0415-0001	NAMEPLATE CRT/MDI	\$9	A370-9001-0623	NAMEPLATE	\$6
A370-0460-0001	Name plate (FANUC Series 16i-M)	\$6	A370-9001-0638#G	RED TRIM STRIP	\$7
A370-0460-0002	Name plate (FANUC Series 16i-T)	\$6	A370-9001-0660	LABEL	\$9
A370-0460-0003	Name plate (FANUC Series 18i-M)	\$6	A370-9001-0883	SWITCH NAME SHEET	\$5
A370-0460-0004	Name plate (FANUC Series 18i-T)	\$6	A390-0001-X006	SOFTKEY BLIND SHEET	\$2
A370-0460-0007	Name plate (FANUC Series 160i-M)	\$6	A-4012-0516	FANUC/Mazatrol/Meldas Inspection Plus SW	\$1,000
A370-0460-0008	Name plate (FANUC Series 160i-T)	\$9	A-4012-0541	REN - INSPECTION SW FOR TURNING CEN	\$800
A370-0460-0009	Name plate (FANUC Series 180i-M)	\$9	A-4012-0584	REN - TOOL SETTING SW	\$400
A370-0460-0010	Name plate (FANUC Series 180i-T)	\$6	A-4012-0685	MP700 INSP PLUS FANUC	\$1,000
A370-0461-0005	NAMEPLATE, 21i-M	\$11	A-4012-0820	NC1 TOOLSETTING SW - MACHINING CENT	\$600
A370-0461-0006	NAMEPLATE, 21i-T	\$13	A-4014-0070	REN - INSPECTION PLUS SW FOR YASNAC	\$1,000
A370-0461-0009	NAMEPLATE, 180i-M	\$11	A-4071-0031	REN - OMP40 MP10 STYLE SHANK ADAPTO	\$158
A370-0461-0026	Name plate (Series 150i-MA)	\$6	A-4071-0060	REN - OMP40 TOOL KIT	\$10
A370-0491-0001	NAMEPLATE 16i-M	\$6	A-4089-0700	REN - RENSCAN4000 KIT	\$19,850
A370-0491-0002	NAMEPLATE 16i-T	\$11	A40L-0001-0034#F6R000	RESISTOR	\$1
A370-0491-0003	NAMEPLATE 18i-M	\$11	A40L-0001-0097	RES MODULE	\$763
A370-0491-0004	NAMEPLATE 18i-T	\$6	A40L-0001-0107	RESISTOR	\$1
A370-0491-0005	NAMEPLATE 21i-M	\$11	A40L-0001-0118#40WR005J	RES.	\$11
A370-0491-0006	NAMEPLATE 21i-T	\$11	A40L-0001-0118#40WR005J		
A370-0491-0007	NAMEPLATE 160i-M	\$6	A40L-0001-0122	DISCHARGE RESISTOR	\$25
A370-0491-0008	NAMEPLATE 160i-T	\$11	A40L-0001-0129	DISCHARGE RESISTOR	\$30
A370-0491-0009	NAMEPLATE 180i-M	\$9	A40L-0001-0142#A	RESISTOR MODULE	\$61
A370-0491-0011	NAMEPLATE 210i-M	\$8	A40L-0001-0144	RESISTOR MODULE	\$56
A370-0491-0024	NAMEPLATE 180i-W	\$6	A40L-0001-0147	RESISTOR MODULE	\$23
A370-0491-0025	NAMEPLATE 15i-M	\$9	A40L-0001-0150	RESISTOR MODULE	\$68
A370-0491-0026	NAMEPLATE 150i-M	\$9	A40L-0001-0152	RESISTOR MODULE	\$62
A370-0492-0023	NAMEPLATE O-T	\$4	A40L-0001-0155	RESISTOR MODULE	\$36
A370-0492-0037	NAMEPLATE POWER MATE	\$4	A40L-0001-0160	RESISTOR MODULE	\$38
A370-0492-0045	NAMEPLATE 18-M	\$9	A40L-0001-0161	DISCHARGE RESISTOR	\$19
A370-0494-0001	NAMEPLATE, GE Fanuc Oi-TA	\$7	A40L-0001-0167	RESISTOR	\$458
A370-0494-0002	NAMEPLATE Oi-M	\$7	A40L-0001-0169	RESISTOR (60W)	\$34
A370-0495-0002	NAMEPLATE Oi-M	\$9	A40L-0001-0176	RESISTOR MODULE	\$34
A370-0497-0010	NAMEPLATE 18-M	\$9	A40L-0001-0177	RESISTOR MODULE	\$40
A370-1027-0001	NAMEPLATE SERIAL NO.	\$2	A40L-0001-0178	RESISTOR MODULE	\$25
A370-1052-0054	PLATE	\$1	A40L-0001-0191	RESISTOR	\$109
A370-1106-0001	LABEL F/PMC CASSETTE	\$1	A40L-0001-0191#A	RESISTOR MODULE	\$94

RENEWAL PARTS  
PRICING

D-80



FANUC CNC Parts

Part Number	Description	Price	Part Number	Description	Price
A40L-0001-0201	RESISTOR MODULE	\$135	A42L-0001-0220#P	CAPACITOR	\$152
A40L-0001-0203	RESISTOR MODULE	\$54	A42L-0001-0221	CAPACITOR	\$59
A40L-0001-0204	RESISTOR MODULE	\$64	A42L-0001-0238	CAPACITOR	\$58
A40L-0001-0209	RESSITOR, 0.36 OHM/2.35W	\$508	A42L-0001-0240	CAPACITOR	\$151
A40L-0001-0210	RESISTOR, 3.0M OHM/30W	\$92	A42L-0001-0245	CAPACITOR	\$94
A40L-0001-0211	RESISTOR, 3.8M OHM/42W	\$92	A42L-0001-0258	CAP 1000MFD 400V	\$23
A40L-0001-0212	RESISTOR, 7.0K.8.0K.80W	\$31	A42L-0001-0260	CAPACITOR	\$444
A40L-0001-0219#10	RESISTOR MODULE	\$129	A42L-0001-0266#ST	CAPACITOR	\$28
A40L-0001-0220	RESISTOR MODULE	\$28	A42L-0001-0317	CAPACITOR	\$20
A40L-0001-0226	DISCHARGE RESISTOR	\$21	A42L-0001-0318	CAPACITOR,HPS1000U	\$23
A40L-0001-0227#C	RESISTOR	\$55	A42L-0001-0319	CAPACITOR	\$35
A40L-0001-0227#E	RESISTOR	\$55	A44L-0001-0069	CURRENT DETECTOR	\$183
A40L-0001-0227#F	RESISTOR	\$49	A45L-0001-0136	TRANSFORMER 2P-1S FERRITE	\$8
A40L-0001-0228	RESISTOR	\$14	A45L-0001-0137	TRANSFORMER	\$6
A40L-0001-0247	RESISTOR MODULE	\$52	A45L-0001-0161	TRANS	\$17
A40L-0001-0248	RESISTOR MODULE	\$58	A45L-0001-0189	TRANSFORMER 2P-1S FERRITE	\$9
A40L-0001-0249	RESISTOR MODULE	\$50	A45L-0001-0216	TRANSFORMER	\$24
A40L-0001-0250	RESISTOR MODULE	\$52	A45L-0001-0340	TRANSFORMER	\$7
A40L-0001-0256#A	RESISTOR MODULE	\$151	A49L-0001-0031#ZMRE	LAMP	\$8
A40L-0001-0267	RESISTOR MODULE	\$52	A49L-0001-0031#ZMWH	LAMP	\$18
A40L-0001-0268	RESISTOR MODULE	\$52	A49L-0001-0031#ZMWM	LAMP	\$23
A40L-0001-0271#10R00J	RESISTOR	\$3	A49L-0001-0033#135	LAMP	\$3
A40L-0001-0274	RESISTOR	\$30	A49L-0001-0039#GH50	FLUORESCENT LAMP	\$157
A40L-0001-0278#A	RESISTOR	\$8	A49L-0001-0046	HE-NE LASER	\$2,020
A40L-0001-0278#D	RESISTOR	\$9	A49L-0001-0052	BACK LIGHT	\$508
A40L-0001-0279	RESISTOR	\$80	A49L-0001-0057	LAMP/NI 5012	\$763
A40L-0001-0280	RESISTOR	\$203	A49L-0001-0064	FLASH LAMP	\$1,116
A40L-0001-0284	RESISTOR DCR 160HMS	\$53	A49L-0001-0066	FLASH LAMP	\$1,074
A40L-0001-0287#3	RESISTOR MODULE	\$94	A-5000-3709	REN - M4 RUBY STYLUS 6MM BALL 33.4	\$97
A40L-0001-0292	RESISTOR	\$84	A-5000-3712	REN - M4 RUBY STYLUS 6MM BALL 83.4	\$109
A40L-0001-0293	RESISTOR	\$293	A-5000-4155	REN - M2 STYLII 2.5MM STEM	\$36
A40L-0001-0294#B	RESISTOR	\$23	A-5000-6352	RUBY/STRAIGHT/30MM-L/STEEL STYLI	\$70
A40L-0001-0294#C	RESISTOR	\$23	A-5000-6701	REN - M4 TOOL DATUMING STYLUS 43MM	\$107
A40L-0001-0304#B	RESISTOR	\$90	A-5000-7521	REN - M4 RUBY STYLUS 50MM/5MM BALL	\$70
A40L-0001-0314	RESISTOR	\$86	A-5000-7545	REN - M4 RUBY 1MM BALL	\$87
A40L-0001-0314#B	RESISTOR	\$85	A-5000-7598	M4 DISK STYLUS 50MM DIA	\$119
A40L-0001-0327	DISCHARGE RESISTOR 200W,16 OHM	\$65	A-5000-7727	REN - 100MM EXTENSION	\$154
A40L-0001-0328	DISCHARGE RESISTOR 400W,16 OHM	\$143	A-5003-0060	REN - 40MM LONG RUBY STYLI	\$44
A40L-0001-0328#T	DISCHARGE RESISTOR	\$147	A-5003-1536	REN - PROTECTIVE COVER FOR LP2	\$149
A40L-0001-0329	DISCHARGE RESISTOR	\$230	A50L-0001-0073#L	TRANSISTOR	\$3
A40L-0001-0330	RESISTOR	\$12	A50L-0001-0091	TRANS MODULE	\$123
A40L-0001-0331#R0660JN	RESISTOR	\$1	A50L-0001-0092	TRANS MODULE	\$40
A40L-0001-0331#R0830GN	RESISTOR	\$1	A50L-0001-0096#AM	TRANSISTOR MODULE	\$156
A40L-0001-0332	RESISTOR	\$387	A50L-0001-0109#M	TRANSISTOR MODULE (QM120DX-H)	\$216
A40L-0001-0333	RESISTOR	\$59	A50L-0001-0111	TRANS MODULE	\$183
A40L-0001-0334	RESISTOR	\$22	A50L-0001-0116	TRANS DIODE	\$487
A40L-0001-0335	RESISTOR	\$597	A50L-0001-0117#B	TRANSISTOR	\$9
A40L-0001-0353#A	RESISTOR	\$615	A50L-0001-0118#A	TRANSISTOR MODULE	\$167
A40L-0001-0353#AT	RESISTOR	\$339	A50L-0001-0121	TRANSISTOR	\$10
A40L-0001-0353#BT	RESISTOR	\$437	A50L-0001-0125#A	TRANS MODULE	\$319
A40L-0001-0354	RESISTOR	\$14	A50L-0001-0126#B	TRANSISTOR	\$117
A40L-0001-0355#C	RESISTOR	\$51	A50L-0001-0131	TRANSISTOR	\$915
A40L-0001-0381#A	RESISTOR	\$15	A50L-0001-0135	TRANSISTOR	\$920
A40L-0001-0389	RESISTOR RTS	\$28	A50L-0001-0144	TRANSISTOR	\$166
A40L-0001-0403#5G100KD	RESISTOR SPECIAL	\$3	A50L-0001-0158	NPN 850V 2A T0220AB	\$5
A40L-0001-0453	RESISTOR	\$3	A50L-0001-0171	TRANSISTOR	\$61
A40L-0001-0456	RESISTOR	\$58	A50L-0001-0175#M	TRN MOD	\$624
A40L-2001-0040#20ZH	RESISTOR,VARIABLE 2K	\$3	A50L-0001-0178	TRANSISTOR MODULE 85	\$378
A40L-2001-0040#501H	RESISTOR,VARIABLE 500 OHM	\$3	A50L-0001-0179#15A	TRANSISTOR	\$36
A40L-2001-0045#I	RESISTOR	\$12	A50L-0001-0179#30A	TRANSISTOR 30A 600V	\$56
A-4111-0001	REN - NCPBC TOOL SETTER	\$790	A50L-0001-0181	MAGNETIC CONTACTOR	\$2
A-4179-1000	REN - NC3 FIXED SYSTEM KIT	\$3,995	A50L-0001-0185	PFET 100V 10A 450HM ISO T0220	\$5
A-4179-1500	REN - NC3 FIXED UNIT	\$3,373	A50L-0001-0190	TRANSISTOR	\$6
A42L-0001-0099	CAPACITOR (450V/1800MFD)	\$136	A50L-0001-0201	TRANSISTOR	\$312
A42L-0001-0100	CAPACITOR	\$13	A50L-0001-0203	PFET 60V 10A 0.50HM ISO T0220	\$3
A42L-0001-0103	CAP	\$7	A50L-0001-0209	TRANSISTOR MODULE	\$694
A42L-0001-0121	CAPACITOR	\$49	A50L-0001-0212	TRANSISTOR MODULE 100A/600V	\$326
A42L-0001-0126	CAPACITOR	\$114	A50L-0001-0221	TRANSISTOR MODULE	\$512
A42L-0001-0132#122	CAPACITOR	\$55	A50L-0001-0222	TRANSISTOR MODULE	\$624
A42L-0001-0132#221	CAPACITOR	\$23	A50L-0001-0230	TRANSISTOR MODULE 50A/600V	\$195
A42L-0001-0132#681	CAPACITOR	\$26	A50L-0001-0233	TRANSISTOR MODULE 25A/600V	\$38
A42L-0001-0142#A	CAPACITOR	\$134	A50L-0001-0235	TRANSISTOR MODULE	\$751
A42L-0001-0145	CAPACITOR, 2000MF/800V	\$335	A50L-0001-0238	IGBT	\$8
A42L-0001-0146	CAPACITOR, 3.3MF/1200VDC	\$130	A50L-0001-0243	IGBT 50A/600V	\$28
A42L-0001-0147	CAPACITOR, 0.1UF/530VAC	\$15	A50L-0001-0244	TRANSISTOR MODULE	\$546
A42L-0001-0150	CAPACITOR	\$84	A50L-0001-0259	USE A50L-0001-0259#N WHEN OUT 5....744	\$303
A42L-0001-0155	CAPACITOR	\$90	A50L-0001-0261#S	IGBT MODULE	\$89
A42L-0001-0173#2R2	CAPACITOR	\$9	A50L-0001-0264	IGBT,2MBI200F-120	\$612
A42L-0001-0183	CAPACITOR	\$25	A50L-0001-0266	TRANSISTOR MODULE ALPHA IGBT	\$170
A42L-0001-0184	CAPACITOR	\$94	A50L-0001-0267	MODULE,TRANSISTOR IGBT 75A	\$241
A42L-0001-0188	CAPACITOR	\$46	A50L-0001-0273#A	ALPHA TRANSISTOR IGBT/IPM	\$88
A42L-0001-0189#A	CAPACITOR	\$6	A50L-0001-0274#A	IGBT	\$326
A42L-0001-0201	CAPACITOR	\$139	A50L-0001-0275	USE A50L-0001-0291 WHEN OUT	\$291
A42L-0001-0202	CAPACITOR	\$1	A50L-0001-0279	IGBT	\$37





# A50L-0001-0291#L

Part Number	Description	Price	Part Number	Description	Price
A50L-0001-0291#L	TRANSISTOR MODULE	\$264	A50L-5000-0029#80	THY MOD	\$367
A50L-0001-0293	TRANSISTOR	\$335	A50L-5000-0033	THY MOD	\$353
A50L-0001-0294	IGBT,MBM100HS12	\$246	A50L-5000-0035#100A	THYRISTOR MODULE	\$442
A50L-0001-0295#NL	IGBT	\$369	A50L-5000-0036#5P4M	THYRISTOR,5P4M	\$2
A50L-0001-0295#NS	IGBT	\$369	A50L-5000-0046	THYRISTOR MODULE	\$398
A50L-0001-0295#PL	TRANSISTOR MODULE	\$369	A50L-5000-0048	THYR 'D' SERIES PWR SUP 250A	\$307
A50L-0001-0295#PS	IGBT	\$369	A50L-5000-0048#A	THYRISTOR	\$134
A50L-0001-0299#N	TRANSISTOR MODULE	\$369	A50L-5000-0051#100A	THY,ALPHA PWR SUP 100A	\$80
A50L-0001-0299#P	TRANSISTOR MODULE	\$369	A50L-5000-0053	THYRISTOR/AD400AA160	\$462
A50L-0001-0301	IGBT	\$95	A50L-5000-0054	THYRISTOR MODULE	\$423
A50L-0001-0301#L	TRANSISTOR/2MBI150NR-060A-01	\$91	A50L-6001-0078	FIN	\$2
A50L-0001-0304	MODULE, IGBT	\$160	A50L-6001-0261	HEAT SINK	\$83
A50L-0001-0307	IGBT	\$76	A50L-6001-0262	HEAT SINK	\$89
A50L-0001-0320	IGBT,2MBI400NK-060A	\$182	A50L-6001-0569	DIODE HEAT SINK A #20	\$12
A50L-0001-0327	TRANSISTOR MODULE	\$125	A50L-6001-0570	DIODE HEAT SINK B #20	\$5
A50L-0001-0328	IGBT	\$130	A50L-8001-0045	DA CONVERTER	\$201
A50L-0001-0329	MODULE, TRANSISTOR IGBT	\$185	A50L-8001-0056	DA CONVERTER	\$316
A50L-0001-0330	MODULE,IPM	\$189	A50L-8001-0059	TRANSISTOR	\$1
A50L-0001-0331	TRANSISTOR MODULE	\$219	A50L-8001-0077	FET	\$4
A50L-0001-0332	IGBT	\$246	A50L-8001-0090#T	NFET 450V 5A 1.6 OHM TO220	\$5
A50L-0001-0333	IPM M,7MBP160RTA0600	\$248	A50L-8001-0094	PPR T/READER READOUT ELEMENT	\$237
A50L-0001-0337	MODULE, TRANSISTOR IGBT	\$105	A50L-8001-0097	PHOTO HEAD	\$455
A50L-0001-0338	IGBT MODULE	\$143	A50L-8001-0106	TRANSISTOR	\$8
A50L-0001-0340	MODULE, TRANSISTOR IGBT	\$178	A50L-8001-0136#B	PHOTO COUPLER	\$1
A50L-0001-0341	TRANSISTOR MODULE	\$364	A50L-8001-0188#A	FET 2SK2655	\$3
A50L-0001-0342	MODULE, TRANSISTOR IGBT	\$112	A50L-8001-0193	ISOLATION SHEET	\$6
A50L-0001-0343	MODULE, TRANSISTOR IGBT	\$148	A55L-0001-0001#A	PUSHBUTTON SWITCH	\$12
A50L-0001-0354	IGBT	\$257	A55L-0001-0001#B	PUSHBUTTON SWITCH	\$14
A50L-0101-0001	LED	\$2	A55L-0001-0001#C	PUSHBUTTON, RED	\$12
A50L-2001-0037#40A	DIODE MODULE	\$3	A55L-0001-0014#A	DOOR SWITCH	\$4
A50L-2001-0037#40W	RECTIFIER	\$8	A55L-0001-0022#GW30	PUSH BUTTON	\$12
A50L-2001-0037#60	DIODE MODULE	\$2	A55L-0001-0025#A	SWITCH	\$74
A50L-2001-0057#RD16EB3	DIODE	\$1	A55L-0001-0025#B	ROTARY SWITCH	\$86
A50L-2001-0057#RD3.9EB	DIODE	\$1	A55L-0001-0041#9040	SCREEN F/SW	\$3
A50L-2001-0057#RD30EB2	DIODE	\$1	A55L-0001-0041#904C	SCREEN,F/SW	\$3
A50L-2001-0057#RD6.2EB1	DIODE	\$1	A55L-0001-0041#904G	SCREEN, F/SW	\$3
A50L-2001-0062#441-12	SURGE ABSORBER	\$7	A55L-0001-0041#904O	SCREEN,F/SW	\$3
A50L-2001-0074#40A	RECTIFIER	\$3	A55L-0001-0041#904R	SCREEN F/ROTARY SWITCH	\$3
A50L-2001-0081#60A	DIODE	\$57	A55L-0001-0041#904Y	SCREEN	\$2
A50L-2001-0097#U06G	DIODE	\$2	A55L-0001-0042#963-28V	LAMP 28V	\$7
A50L-2001-0097#U06G	DIODE	\$1	A55L-0001-0043#925	SWITCH COVER	\$7
A50L-2001-0103#12JG11	DIODE	\$21	A55L-0001-0044#040	INDICATOR LIGHT	\$10
A50L-2001-0103#12JH11	DIODE	\$27	A55L-0001-0044#121	SWITCH	\$24
A50L-2001-0122#G821K	SURGE ABSORBER	\$1	A55L-0001-0044#122	SWITCH	\$34
A50L-2001-0125#80A	DIODE	\$47	A55L-0001-0044#262	SWITCH	\$46
A50L-2001-0132#A	LED	\$12	A55L-0001-0059	DOOR SWITCH	\$40
A50L-2001-0134	DIODE	\$114	A55L-0001-0066#J	SWITCH	\$57
A50L-2001-0135	DIODE	\$27	A55L-0001-0069	PUSHBUTTON SWITCH	\$78
A50L-2001-0138	DIODE MODULE	\$222	A55L-0001-0069#2B	SWITCH	\$74
A50L-2001-0138#A	DIODE MODULE	\$76	A55L-0001-0069#3B	ESTOP SWITCH	\$71
A50L-2001-0139	DIODE	\$24	A55L-0001-0087	SWITCH	\$5
A50L-2001-0146	DIODE MODULE	\$139	A55L-0001-0087#K511	KEYTOP, NC/PC	\$3
A50L-2001-0155#20D431	MOV 6.3V	\$3	A55L-0001-0087#K512	KEY TOP	\$3
A50L-2001-0155#20D751	SURGE ABSORBER	\$6	A55L-0001-0087#RED	KEYSWITCH	\$10
A50L-2001-0162#A	L.E.D.	\$12	A55L-0001-0087#S47	SWITCH	\$264
A50L-2001-0162#G	L.E.D.	\$14	A55L-0001-0087#S49	KEY SWITCHES + KEY TOPS	\$282
A50L-2001-0162#R	L.E.D.	\$13	A55L-0001-0093#VR01	PUSH BUTTON	\$68
A50L-2001-0168	DIODE MODULE	\$135	A55L-0001-0093#VR02	SWITCH	\$84
A50L-2001-0171	DIODE	\$175	A55L-0001-0104#L2255	LIMIT SWITCH	\$11
A50L-2001-0175	DIODE	\$63	A55L-0001-0107#KN	SWITCH	\$14
A50L-2001-0189#100A	DIODE MODULE	\$149	A55L-0001-0113#CT	COVER	\$3
A50L-2001-0193#A	DIODE MODULE	\$141	A55L-0001-0113#KA	MEMORY PROTECT KEY	\$3
A50L-2001-0208#60	DIODE MODULE	\$4	A55L-0001-0113#L-E	LAMP	\$4
A50L-2001-0220#60	LED	\$3	A55L-0001-0113#TFG11	SWITCH	\$22
A50L-2001-0224#40	DIODE	\$1	A55L-0001-0113#TFR11	SWITCH	\$23
A50L-2001-0230	SURGE ABSORBER	\$18	A55L-0001-0113#TFW11	SWITCH	\$23
A50L-2001-0232	DIODE MODULE	\$80	A55L-0001-0113#TLR11E	SWITCH,AH161-TLG11E	\$26
A50L-2001-0236	DIODE MODULE	\$119	A55L-0001-0125#NW5-105	SW A55L-0001-0125#NW5-105	\$22
A50L-2001-0239#10L	DIODE MODULE	\$17	A55L-0001-0126#P3B1	SELECT SWITCH	\$27
A50L-2001-0245	DIODE	\$2	A55L-0001-0144#A	KEY	\$3
A50L-2001-0255	LED LAMP	\$31	A55L-0001-0144#J2D01A	KEYSWITCH	\$28
A50L-2001-0264#40	DIO AXL 400V 1.1A	\$2	A55L-0001-0161#J2A11AP	#J2A11AP SWITCH	\$54
A50L-2001-0271	DIODE MODULE	\$108	A55L0001-0161#TFB11	SWITCH	\$15
A50L-2001-0282#W	LED,AH105-ZMWE2	\$6	A55L-0001-0161#TFB11	SWITCH	\$15
A50L-2001-0286	DIODE LASER	\$1,077	A55L0001-0161#TFG11	SWITCH	\$15
A50L-2001-0291	LED	\$23	A55L-0001-0161#TFG11	SWITCH	\$15
A50L-2001-0294	DIODE MODULE	\$248	A55L0001-0161#TFR11	SWITCH	\$15
A50L-2001-0327	DIODE MODULE 'D' SERIES PW SUP	\$46	A55L-0001-0161#TFR11	SWITCH	\$15
A50L-2001-0427#A	SCR,FC30B4880	\$278	A55L0001-0161#TFW11	SWITCH	\$15
A50L-2001-0439	DIODE MODULE	\$60	A55L-0001-0161#TFW11	SWITCH	\$15
A50L-2101-0024	DIODE	\$2	A55L-0001-0161#TLG11	SWITCH	\$18
A50L-5000-0017	THYRISTOR MODULE	\$949	A55L-0001-0161#TLR11	SWITCH	\$18
A50L-5000-0029#30	THY MOD	\$107	A55L-0001-0161#TLW11	SWITCH,AH165-TLW11	\$26
A50L-5000-0029#50	THY MOD	\$182	A55L-0001-0161#X669	PUSHBUTTON COVER	\$3

RENEWAL PARTS  
PRICING

D-82



FANUC CNC Parts

Part Number	Description	Price	Part Number	Description	Price
A55L-0001-0167#1G	SWITCH	\$37	A57L-0001-0051#B080	TEMP. SWITCH	\$10
A55L-0001-0167#2R	SWITCH	\$37	A57L-0001-0051#B100	THERMOSTAT	\$13
A55L-0001-0177#VRO2	SWITCH	\$34	A57L-0001-0051#B90	THERMOSTAT	\$10
A55L-0001-0188#BCA	SWITCH, EMERGENCY	\$50	A57L-0001-0051#B95	THERMOSTAT	\$11
A55L-0001-0189#2	LASER DOOR INTERLOCK	\$80	A57L-0001-0052#B150	THERMOSTAT	\$12
A55L-0001-0191#92A1-2EG	SWITCH	\$19	A57L-0001-0057	THERMOSTAT	\$15
A55L-0001-0208#1A4	SWITCH FOR A13B-0159-D101	\$5	A57L-0001-0057#080	LASER TEMP SWITCH (SHUTTER)	\$13
A55L-0001-0225#01CBS	MICRO SWITCH, LASER	\$5	A57L-0001-0069#060	THERMOSTAT	\$7
A55L-0001-0226#M10GA	SWITCH	\$24	A57L-0001-0071#B95	THERMOSTAT	\$15
A55L-0001-0233	SWITCH	\$48	A57L-0001-0079#060	INTER-LOCKER TEMP SW	\$8
A55L-0001-0234#0040C5	SWITCH	\$3	A57L-0001-0091	LASER PHOTOELECTRIC SW (SHUTTER),	\$7
A55L-0001-0241#02R	SWITCH	\$37	A57L-0001-0095#B080	TEMP SW (BEAM ABSORBER)	\$10
A55L-0001-0267#3BM1C1LZ			A57L-0001-0095#B090	LASER THERMOSTAT TH52Q2H4	\$10
	SWITCH, POWER ON/OFF	\$10	A58L-0001-0027#RH2BUL24	RELAY	\$25
A55L-0001-0267#3K2C1A	KEY SWITCH, MEMORY PROTECT	\$23	A58L-0001-0045#3R1.4A	THERMAL CONTACTOR	\$74
A55L-0001-0273#4AST2MB2	SWITCH	\$20	A58L-0001-0092#A	CONTACTOR	\$222
A55L-0001-0273#5J2M1	KEYSWITCH	\$39	A58L-0001-0094#200V1A1B	A58L-0001-0094#200V1A1B CONTR	\$100
A56L-0001-0030#2A	TOGGLE SWITCH	\$14	A58L-0001-0094#200V2A	MAG. CONTACTOR	\$97
A56L-0001-0072	KEY	\$33	A58L-0001-0133#100V	MAGNETIC SWITCH	\$464
A56L-0001-0072#A	KEY SWITCH	\$31	A58L-0001-0133#200V	MAGNETIC SWITCH	\$433
A56L-0001-0072#AF	SWITCH	\$23	A58L-0001-0137#24V	RELAY	\$52
A56L-0001-0072#F	KEYLOCK	\$24	A58L-0001-0144#234P-24H	RELAY.G2V-234P-H	\$9
A56L-0001-0077	KEY	\$8	A58L-0001-0146#200V	CONTACTOR	\$232
A56L-0001-0077#KEY	KEY F/DOOR INTERLOCK (S301)	\$7	A58L-0001-0148#12	RELAY	\$66
A56L-0001-0085#D1	TOGGLE SWITCH	\$8	A58L-0001-0148#18	RELAY	\$71
A56L-0001-0085#G	TOGGLE SWITCH	\$17	A58L-0001-0151#15N	MAGNETIC CONTACTOR	\$156
A56L-0001-0086#D1	RECTIFIER	\$5	A58L-0001-0159#200V	MAGNETIC CONTACTOR	\$886
A56L-0001-0086#H	TOGGLE SWITCH	\$5	A58L-0001-0165	CONTACTOR	\$360
A56L-0001-0086#H1	TOGGLE SWITCH	\$5	A58L-0001-0166	CONTACTOR	\$414
A56L-0001-0086#J	TOGGLE SWITCH	\$6	A58L-0001-0179#P	RELAY, SRCA3631-05Z42A	\$87
A56L-0001-0087#C	TOGGLE SWITCH	\$9	A58L-0001-0180	MAGNETIC CONTACTOR	\$64
A56L-0001-0087#C1	TOGGLE SWITCH	\$11	A58L-0001-0181	MAGNETIC CONTACTOR	\$76
A56L-0001-0087#N	TOGGLE SWITCH	\$13	A58L-0001-0183	CONTACTOR	\$146
A56L-0001-0104#A	TOGGLE SWITCH	\$13	A58L-0001-0185	RELAY	\$30
A56L-0001-0109#PC0020DAROTARY SWITCH		\$52	A58L-0001-0191#1	MAG SWITCH	\$53
A56L-0001-0109#PG0007AA			A58L-0001-0192#1509	RELAY	\$12
	ROTARY SWITCH F/SPINDLE OVERRIDE	\$51	A58L-0001-0192#1509A	RELAY	\$9
A56L-0001-0109#PG0020DA			A58L-0001-0192#1786H	RELAY	\$9
	ROTARY SWITCH	\$52	A58L-0001-0194#A1A2P10	CONTACTOR, SRCA3931-02	\$72
A56L-0001-0109#PG0020FA	ROTARY SWITCH FOR FEEDRATE OVERRIDE	\$51	A58L-0001-0194#A1A2P12	A58L-0001-0194#A1A2P12 MAG SW	\$63
A56L-0001-0109#PRO020DAROTARY SWITCH		\$52	A58L-0001-0194#A1A3P05	CONTACTOR, SRCA3931-02	\$65
A56L-0001-0109#PRO020FA	ROTARY SWITCH	\$51	A58L-0001-0197	CONTACTOR	\$61
A56L-0001-0112	SWITCH(MR-A112)	\$25	A58L-0001-0207	MAGNETIC CONTACTOR	\$88
A56L-0001-0134#2A2B	SWITCH, EMERGENCY STOP	\$30	A58L-0001-0207#A	MAGNETIC CONTACTOR	\$76
A57L-0001-0017	THERMOSTAT	\$10	A58L-0001-0211#30MB	MAGNETIC CONTACTOR	\$186
A57L-0001-0027#B	REL REED SWT	\$13	A58L-0001-0211#30NB	MAGNETIC CONTACTOR	\$195
A57L-0001-0027#J	REL REED SWT	\$9	A58L-0001-0212	MAGNETIC CONTACTOR	\$387
A57L-0001-0027#N	A57L-0001-0027#N TMERM R.R.	\$8	A58L-0001-0213	MAGNETIC CONTACTOR	\$93
A57L-0001-0028	THERM	\$18	A58L-0001-0213#F	MAGNETIC CONTACTOR	\$80
A57L-0001-0037	MAG SENSOR	\$767	A58L-0001-0214#0A1B	MAGNETIC SWITCH	\$20
A57L-0001-0037#B	MAGNETIC SENSOR HEAD TYPE 1	\$747	A58L-0001-0215#0A22.8	LASER ELECT. CONTRACTOR	\$58
A57L-0001-0037#C	AMP	\$852	A58L-0001-0215#0A25-8	MAGNETIC SWITCH	\$47
A57L-0001-0037#D	CONNECTOR	\$61	A58L-0001-0218	CAPACITOR	\$26
A57L-0001-0037#F	MAGNETIZING ELEMENT TYPE 2	\$113	A58L-0001-0221	MAGNETIC CONTACTOR	\$69
A57L-0001-0037#G	MAGNETIC SENSOR TYPE 2	\$678	A58L-0001-0222	MAGNETIC CONTACTOR	\$95
A57L-0001-0037#G1	MAGNETIC SENSOR TYPE 3	\$704	A58L-0001-0233#K60N	MAGNETIC CONTACTOR	\$224
A57L-0001-0037#H	MAGNETIZING ELEMENT TYPE 3	\$91	A58L-0001-0236	MAGNETIC CONTACTOR	\$56
A57L-0001-0037#J1	MAGNETIZING ELEMENT TYPE 4	\$988	A58L-0001-0243	LASER ELECT. CONTRACTOR	\$124
A57L-0001-0037#J2	MAGNETIZING ELEMENT TYPE 5	\$1,030	A58L-0001-0245	RELAY SOCKET F/-0307	\$6
A57L-0001-0037#J3	MAGNETIZING ELEMENT TYPE 6	\$1,311	A58L-0001-0248	MAGNETIC CONTACTOR	\$82
A57L-0001-0037#J4	MAGNETIZING ELEMENT TYPE 7	\$1,510	A58L-0001-0253	RELAY	\$13
A57L-0001-0037#J5	MAGNETIZING ELEMENT TYPE 9	\$1,842	A58L-0001-0258	MAGNETIC CONTACTOR	\$26
A57L-0001-0037#J6	MAGNETIZING ELEMENT TYPE 3	\$3,370	A58L-0001-0258#A	MAGNETIC CONTACTOR	\$23
A57L-0001-0037#J7	MAGNETIZING ELEMENT TYPE 3	\$770	A58L-0001-0264	CONTACTOR	\$80
A57L-0001-0037#K1	MAGNETIZING ELEMENT TYPE 8	\$818	A58L-0001-0265#24P	MAGNETIC CONTACTOR	\$3
A57L-0001-0037#M	MAGNETIC DETECTOR	\$1,398	A58L-0001-0270#A2A3P01	LASER MAG CONTACTOR (A2A3P01)	\$123
A57L-0001-0037#M1	SENSOR	\$2,259	A58L-0001-0270#C2A3P05	LASER MAG CONTACTOR (02A3P05)	\$159
A57L-0001-0037#N	MAGNETIC SENSOR (12000RPM)	\$767	A58L-0001-0271#A2A	CONTACTOR	\$105
A57L-0001-0037#P	MAGNETIC SENSOR (20000RPM)	\$1,054	A58L-0001-0271#D2A	CONTACTOR	\$78
A57L-0001-0037#Q	MAGNETIC SENSOR(20000RPM)	\$1,398	A58L-0001-0271#E2A	CONTACTOR	\$135
A57L-0001-0037#R	MG. SENSOR (20000RPM)	\$1,630	A58L-0001-0279#A2AU	CONTACTOR	\$45
A57L-0001-0037#S	MG. SENSOR (1500 RPM MAX SPD)	\$1,630	A58L-0001-0279#A2C0	MAGNETIC CONTRACTOR	\$81
A57L-0001-0037#T	MAGNETIC SENSOR(15000RPM)	\$1,858	A58L-0001-0279#A2C01	MAGNETIC CONTACTOR	\$77
A57L-0001-0037#V2	MAGNETIC SENSOR V2	\$856	A58L-0001-0279#B2C0	MAGNETIC SW.	\$111
A57L-0001-0037#T	MG. SENSOR (15000 RPM MAX SPD)	\$953	A58L-0001-0294	MCC	\$89
A57L-0001-0043#100	THERMOSTAT	\$6	A58L-0001-0297#3B	MAGNETIC CONTACTOR	\$143
A57L-0001-0043#120	THERMOSTAT	\$7	A58L-0001-0299	MAGNETIC CONTACTOR	\$23
A57L-0001-0043#80	THERMOSTAT	\$6	A58L-0001-0306	MAGNETIC CONTACTOR	\$165
A57L-0001-0043#90	THERMOSTAT	\$9	A58L-0001-0307	RELAY	\$20
A57L-0001-0046#150	THERMOSTAT	\$15	A58L-0001-0309	RELAY	\$5
A57L-0001-0046#90	THERMOSTAT	\$17	A58L-0001-0312	OUTPUT SPINDLE SENSOR	\$508
A57L-0001-0048#A	TOGGLE SWITCH	\$20	A58L-0001-0313#A1A2P12	MAGNETIC CONTACTOR	\$75
A57L-0001-0049#130U270	THERMOSTAT	\$7	A58L-0001-0313#A1A3P12	CONTACTOR	\$52
A57L-0001-0051#B060	LASER THERMOSTAT	\$9	A58L-0001-0313#A2A3P13	LASER MG. SWITCH	\$50



# A58L-0001-0321#E0D0

Part Number	Description	Price	Part Number	Description	Price
A58L-0001-0321#E0D0	LASER DIL1M	\$137	A60L-0001-0175#2.0A	FUSE	\$3
A58L-0001-0321#G0D0	RELAY	\$203	A60L-0001-0175#3.2A	FUSE SV AMP C SERIES	\$4
A58L-0001-0322#AB	LASER SURGE ABSORBER	\$20	A60L-0001-0175#5.0A	FUSE	\$4
A58L-0001-0325#BFE	MINI CONTACTOR IEC	\$42	A60L0001-0183#100AS	FUSE	\$22
A58L-0001-0326#A	LASER SURGE ABSORBER	\$14	A60L-0001-0183#100AS	FUSE	\$22
A58L-0001-0332	MAGNETIC CONTACTOR	\$31	A60L-0001-0183#150A	FUSE, 150A	\$27
A58L-0001-0333	MAGNETIC CONTACTOR	\$32	A60L-0001-0183#200A	FUSE	\$42
A58L-0001-0335	MAGNETIC CONTACTOR	\$799	A60L-0001-0183#225A	FUSE	\$48
A58L-0001-0337	MAGNETIC CONTACTOR	\$73	A60L-0001-0183#260A	FUSE	\$50
A58L-0001-0339#B	MAGNETIC CONTACTOR	\$63	A60L-0001-0183#300A	FUSE, 300A CR2L-300	\$35
A58L-0001-0348#B	MAGNETIC CONTACTOR	\$63	A60L-0001-0183#350A	FUSE	\$46
A58L-0001-0397#T	CONTACTOR	\$40	A60L-0001-0183#450AF	FUSE	\$69
A58L-0001-0406#T	RELAY	\$31	A60L-0001-0183#50AS	FUSE, CR2L-50	\$26
A58L-0001-0415#M02	RELAY DC24V	\$19	A60L-0001-0183#75AS	FUSE	\$17
A58L-0001-0427#000 5	LASER SAFETY BOX	\$524	A60L-0001-0184#CV	FUSE HOLDER	\$269
A60L-0001-0031#A	FUSE	\$18	A60L-0001-0185#2P	FUSE HOLDER F706-2P	\$6
A60L-0001-0036#PC1-10	FUSE	\$7	A60L-0001-0188#A	CIRCUIT BREAKER	\$73
A60L-0001-0036#PC1-15	FUSE	\$7	A60L-0001-0188#B	CIRCUIT BREAKER	\$66
A60L-0001-0036#PC1-20	FUSE	\$7	A60L-0001-0188#C	CIRCUIT BREAKER	\$43
A60L-0001-0036#PC1-30	FUSE	\$7	A60L-0001-0188#E	CIRCUIT BREAKER	\$68
A60L-0001-0039#M-2	PPR FUSE 2A 200VAC	\$5	A60L-0001-0188#F	CIRCUIT BREAKER	\$68
A60L-0001-0039#M-4	PPR FUSE 4A 100VAC	\$5	A60L-0001-0188#G	BREAKER	\$105
A60L-0001-0039#M-2	FUSE 2 AMP	\$7	A60L-0001-0188#H	BREAKER	\$63
A60L-0001-0039#M-4	FUSE 4 AMP	\$7	A60L-0001-0188#J	CIRCUIT BREAKER	\$98
A60L00010042#JG1-10	FUSE - use: A60L-0001-0042#JG1-10	\$14	A60L-0001-0188#K	CIRCUIT BREAKER	\$88
A60L-0001-0042#JG1-10	FUSE	\$18	A60L-0001-0188#L	CIRCUIT BREAKER	\$52
A60L-0001-0042#JG1-15	FUSE	\$19	A60L-0001-0188#M	CIRCUIT BREAKER	\$43
A60L-0001-0042#JG1-20	FUSE	\$10	A60L-0001-0188#P	BREAKER	\$96
A60L-0001-0042#JG1-30	FUSE	\$19	A60L-0001-0189#A	BREAKER	\$287
A60L00010042#JG2-40	FUSE	\$20	A60L-0001-0189#D	CIRCUIT BREAKER	\$485
A60L-0001-0042#JG2-40	FUSE	\$25	A60L-0001-0189#G	BREAKER	\$389
A60L-0001-0046#0.32	FUSE	\$4	A60L-0001-0189#S	CIRCUIT BREAKER	\$246
A60L-0001-0046#0.5	FUSE	\$4	A60L-0001-0189#T	BREAKER	\$471
A60L-0001-0046#1.0	ALARM FUSE	\$4	A60L-0001-0190#23A	HANDLE	\$99
A60L-0001-0046#1.6	FUSE 1.6 AMPS 125V (MP16)	\$4	A60L-0001-0194#0.5	FUSE 0.5A	\$5
A60L-0001-0046#2.0	FUSE 2.0A	\$4	A60L-0001-0194#2.0	FUSE 2A	\$5
A60L-0001-0046#3.2	FUSE 3.2 AMPS 125V (MP32)	\$4	A60L-0001-0194#3.2	FUSE HP32	\$6
A60L-0001-0046#3.2R	FUSE	\$3	A60L-0001-0194#5.0	FUSE	\$6
A60L-0001-0046#5.0	FUSE 5.0 AMPS 125V (MP50)	\$4	A60L-0001-0197#PC1F-20	FUSE	\$8
A60L-0001-0046#5.0R	FUSE	\$3	A60L-0001-0197#PC1F-30	FUSE (PC1F-30)	\$8
A60L-0001-0046#6.3	FUSE	\$3	A60L-0001-0197#PC2F-40	FUSE	\$16
A60L-0001-0046#7.5	FUSE 7.5 AMPS 125V (MP75)	\$3	A60L-0001-0200	SOCKET	\$5
A60L-0001-0046#7.5R	FUSE	\$3	A60L-0001-0203#C	CIRCUIT BREAKER	\$182
A60L-0001-0059	FUSE HOLDER	\$5	A60L-0001-0204#AAT	BREAKER	\$963
A60L-0001-0075#3.2	FUSE 3.2 AMPS 125V SMP32	\$4	A60L-0001-0204#BA	BREAKER	\$945
A60L-0001-0075#5.0	FUSE	\$4	A60L-0001-0204#BAP	LASER CIRCUIT BREAKER	\$951
A60L-0001-0098#3/10	BREAKER	\$152	A60L-0001-0204#CA	LEAKAGE CURRENT BREAKER	\$957
A60L-0001-0098#3/15	BREAKER	\$152	A60L-0001-0204#DAT	BREAKER	\$963
A60L-0001-0098#3/20	BREAKER	\$142	A60L-0001-0204#EA	CIRCUIT BREAKER	\$945
A60L-0001-0098#3/30	BREAKER	\$152	A60L-0001-0204#EAT	CIRCUIT BREAKER	\$1,028
A60L-0001-0101#P405H	FUSE (0.5A/250V) F2, F3	\$10	A60L-0001-0204#MAND	CIRCUIT BREAKER	\$531
A60L-0001-0101#P4100H	FUSE (10A/250V)	\$8	A60L-0001-0204#NAND	CIRCUIT BREAKER	\$474
A60L-0001-0101#P413H	FUSE 1.3A/250V	\$10	A60L-0001-0204#NAT	BREAKER	\$963
A60L-0001-0101#P420H	FUSE (2.0A/250V)	\$9	A60L-0001-0206#D	OPTION	\$214
A60L-0001-0101#P430H	FUSE (3.0A/250V)	\$10	A60L-0001-0208#150A	FUSE	\$64
A60L-0001-0101#P435H	FUSE (3.5A/250V)	\$6	A60L-0001-0208#250A	FUSE 250A/700V	\$85
A60L-0001-0101#P450H	FUSE (5.0A/250V)	\$10	A60L-0001-0208#300A	FUSE 300A/700V	\$99
A60L-0001-0101#P475H	FUSE (7.5A/250V)	\$8	A60L-0001-0209#2A	FUSE	\$7
A60L-0001-0101#P475L	FUSE (7.5A/125V)	\$8	A60L-0001-0223#01	CIRCUIT PROTECTOR	\$37
A60L-0001-0118	FUSE	\$9	A60L-0001-0223#02	CIRCUIT PROTECTOR	\$20
A60L-0001-0127#25FH75	FUSE	\$29	A60L-0001-0223#02W	BREAKER	\$21
A60L-0001-0132	CONNECTOR	\$1	A60L-0001-0223#03	CIRCUIT PROTECTOR	\$37
A60L-0001-0133#3P	FUSE	\$15	A60L-0001-0223#03-1	CIRCUIT PROTECTOR	\$32
A60L-0001-0140	FUSE SHORTING PLUG	\$2	A60L-0001-0223#05	CIRCUIT PROTECTOR	\$32
A60L-0001-0143#15A	BREAKER	\$30	A60L-0001-0223#05W	CIRCUIT PROTECTOR	\$20
A60L-0001-0143#20A	CIRCUIT PROTECTOR	\$45	A60L-0001-0223#10	CIRCUIT PROTECTOR	\$52
A60L-0001-0143#30A	BREAKER	\$27	A60L-0001-0223#10-2	CIRCUIT PROTECTOR	\$69
A60L-0001-0143#30AF	BREAKER	\$21	A60L-0001-0223#10W	CIRCUIT PROTECTOR	\$15
A60L-0001-0145	FUSE(25SH100)	\$40	A60L-0001-0223#10W-1	CIRCUIT PROTECTOR	\$40
A60L-0001-0147	FUSE - 50 AMP/250 Volt	\$27	A60L-0001-0223#15	CIRCUIT PROTECTOR	\$37
A60L-0001-0149	MODULE	\$45	A60L-0001-0223#15-2	CIRCUIT PROTECTOR	\$69
A60L-0001-0163	FUSE	\$58	A60L-0001-0223#15-1	CIRCUIT PROTECTOR	\$20
A60L-0001-0170#3-K	BREAKER HANDLE	\$85	A60L-0001-0223#15W-1	CIRCUIT PROTECTOR	\$29
A60L-0001-0170#5	HANDLE ASSEMBLY	\$76	A60L-0001-0223#20-1	CIRCUIT PROTECTOR	\$20
A60L-0001-0172#DM03	A60L-0001-0172#DM03 FUSE .3A	\$3	A60L-0001-0223#3	CIRCUIT PROTECTOR	\$99
A60L-0001-0172#DM10	FUSE	\$3	A60L-0001-0223#5	CIRCUIT PROTECTOR	\$34
A60L-0001-0172#DM20	FUSE	\$3	A60L-0001-0223#DC10W-1	A60L-0001-0223#DS10W-1	\$20
A60L-0001-0172#DM32	PPR FUSE DM32 FOR POW/SOR PCB	\$3	A60L-0001-0233#1-5	FUSE	\$1
A60L-0001-0173	A60L-0001-0173 FUSE HOLDER(DM)	\$1	A60L-0001-0233#2-3	FUSE	\$1
A60L-0001-0174#A1-3	BREAKER COVER	\$7	A60L-0001-0238#100A	BREAKER UL	\$959
A60L-0001-0174#A1-5	BREAKER COVER	\$7	A60L-0001-0238#100B	BREAKER UL RELEASE DC24V	\$838
A60L-0001-0175#0.3A	FUSE	\$6	A60L-0001-0238#20A	CIRCUIT BREAKER	\$840
A60L-0001-0175#0.5A	FUSE	\$3	A60L0001-0245#GP100	FUSE 10A	\$5
A60L-0001-0175#1.0A	FUSE	\$4	A60L-0001-0245#GP100	FUSE 10A	\$5

RENEWAL PARTS  
PRICING

D-84



FANUC CNC Parts

Part Number	Description	Price	Part Number	Description	Price
A60L-0001-0245#GP20	FUSE ALARM 2.0 AMP 250V (GP20)	\$5	A61L-0001-0093	CRT	\$601
A60L-0001-0245#GP32	FUSE	\$5	A61L-0001-0093#A	CRT	\$555
A60L-0001-0245#GP50	FUSE	\$5	A61L-0001-0093#S	CRT	\$571
A60L-0001-0245#GP75	FUSE ALARM 7.5 AMP 250V (GP75)	\$4	A61L-0001-0094	CRT UNIT, 14"	\$2,247
A60L-0001-0246	FUSE HOLDER, GPH-4V	\$5	A61L-0001-0094#A	CRT UNIT, 14"	\$2,247
A60L-0001-0247	RESISTOR MODULE	\$6	A61L-0001-0096	CRT COLOR 14" MMCIV	\$2,188
A60L-0001-0247#2	FUSE HOLDER	\$3	A61L-0001-0097#A	CRT UNIT	\$1,892
A60L-0001-0256#15P	BREAKER	\$64	A61L-0001-0101	PLASMA DISPLAY UNIT	\$2,801
A60L-0001-0256#15PH	CIRCUIT PROTECTOR	\$58	A61L-0001-0110#A	LCD UNIT	\$97
A60L-0001-0256#5P	CIRCUIT PROTECTOR	\$61	A61L-0001-0114	EL UNIT	\$3,119
A60L-0001-0257	MAGNETIC CONTACTOR	\$26	A61L-0001-0116#S	PDP	\$2,033
A60L-0001-0260#3R00	FUSE	\$1	A61L-0001-0119	LCD F/TEACH PENDANT	\$556
A60L-0001-0260#5R00	FUSE	\$1	A61L-0001-0119#A	LCD	\$556
A60L-0001-0262#10W	LASER,CIRCUIT PROTECTOR	\$77	A61L-0001-0122#P	LCD	\$77
A60L-0001-0262#15W	CIRCUIT PROTECTOR	\$78	A61L-0001-0123	LCD UNIT	\$7,423
A60L-0001-0262#5W	CIRCUIT PROTECTOR	\$73	A61L-0001-0126	PDP (A13B-0160-C001)	\$2,664
A60L-0001-0262#7W	CIRCUIT PROTECTOR	\$77	A61L-0001-0138	LCD 9.5" COLOR	\$2,140
A60L-0001-0266#3E3A	SOCKET	\$71	A61L-0001-0138#BL	9.5" COLOR LCD DISPLAY BACKLIGHT	\$31
A60L-0001-0269#100	BREAKER	\$201	A61L-0001-0142	LCD UNIT 7.2"	\$460
A60L-0001-0276#3.15	FUSE	\$1	A61L-0001-0142#BL	Back light for 7.2" LCD (HITACHI)	\$108
A60L-0001-0281#S50E-40A	BREAKER	\$61	A61L-0001-0142#BLS	Back light for 7.2" LCD (SHARP)	\$39
A60L-0001-0282#1.5A11RE	BREAKER	\$41	A61L-0001-0149#11-10-A	TIMER	\$143
A60L-0001-0290#LM03	FUSE 0.3A	\$1	A61L-0001-0154	LCD UNIT, 9.5" MONO	\$524
A60L-0001-0290#LM10	FUSE 1A DP	\$1	A61L-0001-0154#BL	BACK LIGHT FOR 9.5" LCD	\$91
A60L-0001-0290#LM20	FUSE 2.0A	\$1	A61L-0001-0162#BL	BACK LIGHT FOR 8.4" LCD	\$56
A60L-0001-0290#LM20C	FUSE 2.0A	\$1	A61L-0001-0163#BL	BACK LIGHT FOR 10.4" LCD	\$70
A60L-0001-0290#LM32	FUSE	\$1	A61L-0001-0167#2SN1D24	TIMER,GT5Y2SN1D24	\$49
A60L0001-0290#LM32C	FUSE 50V 3.2A	\$1	A61L-0001-0168	LCD, 10.4"	\$1,541
A60L-0001-0290#LM32C	FUSE 50V F3 2	\$1	A61L-0001-0168#A	LCD, F/PANEL i 10.4"	\$745
A60L-0001-0290#LM50	FUSE 5A DP	\$1	A61L-0001-0168#BL	Backlight for 10.4" LCD (SHARPE)	\$61
A60L-0001-0290#LM50C	FUSE 50V F5.0A DAITO LM50C	\$1	A61L-0001-0168#BLN	Backlight for 10.4" LCD (NEC)	\$44
A60L-0001-0291	FUSE HOLDER MPH-2P	\$1	A61L-0001-0170	LCD	\$54
A60L-0001-0298#13A	HANDLE	\$139	A61L-0001-0170#P	LCD UNIT	\$1,391
A60L-0001-0298#6A	HANDLE	\$157	A61L-0001-0174	LCD, 12.1"	\$41
A60L-0001-0302#3040L	CIRCUIT BREAKER	\$364	A61L-0001-0174#BL	BACK LIGHT 12.1" LCD	\$106
A60L-0001-0307#B40B	COVER	\$16	A61L-0001-0176	LCD UNIT	\$1,195
A60L-0001-0308#B010	BREAKER	\$53	A61L-0001-0176#BL	BACKLIGHT	\$77
A60L-0001-0308#B030	BREAKER	\$57	A61L-0001-0179	LCD, 15.0" COLOR	\$2,056
A60L-0001-0308#F050	BREAKER	\$89	A61L-0001-0187	LCD, 15" FOR PANEL i TOUCH	\$1,154
A60L-0001-0308#H060	BREAKER□@ JPN,UL	\$132	A620-0002-T083	KNOB	\$7
A60L-0001-0308#L100JC2	BREAKER, EA103B/100F	\$262	A63L-0001-0125#4S	CONNECTOR FOR 3-0 MOTOR	\$19
A60L-0001-0308#N150JH2	CIRCUIT BREAKER JPN RELEASE DC24V	\$414	A63L-0001-0126#6P	CONNECTOR	\$2
A60L-0001-0308#X010	BREAKER□@ JPN,UL	\$78	A63L-0001-0127#S23A	CONTACT	\$2
A60L-0001-0309#L075BJ2	BREAKER F/LASER	\$411	A63L-0001-0127#S23B	CONTACT	\$1
A60L-0001-0309#L100BJ2	BREAKER F/LASER	\$499	A63L-0001-0133#15	CONNECTOR	\$9
A60L-0001-0309#N150BJ2	LEAKAGE BREAKER	\$585	A63L-0001-0133#21A	CONNECTOR	\$9
A60L-0001-0310#40AA	HANDLE	\$89	A63L-0001-0133#22A	CONNECTOR, MR-50RFH	\$10
A60L-0001-0312#ACN	BREAKER IEC	\$340	A63L-0001-0133#23A	CONNECTOR	\$6
A60L-0001-0312#AD	CTK BREAKER, NZM4-80	\$316	A63L-0001-0133#24A	CONNECTOR, MR-20RFH	\$6
A60L-0001-0312#BESCN	AUTO BREAKER IEC□@RELEASE AC100V	\$648	A63L-0001-0133#31A	CONNECTOR	\$3
A60L-0001-0312#BESDN	AUTO BREAKER IEC□@□@RELEASE DC24V	\$623	A63L-0001-0133#33	CONNECTOR	\$6
A60L-0001-0314#GDA	CIRCUIT BREAKER IEC	\$28	A63L-0001-0133#41A	CONNECTOR, 50 PIN WIRE WRAP	\$1
A60L-0001-0314#GECE	CIRCUIT BREAKER IEC	\$72	A63L-0001-0133#42S	CONNECTOR	\$8
A60L-0001-0314#GFCA	MINI CIRCUIT BREAKER□@IEC	\$75	A63L-0001-0133#43A	CONNECTOR, 20 PIN WIRE WRAP	\$5
A60L-0001-0314#GPCA	CIRCUIT BREAKER IEC	\$74	A63L-0001-0133#44S	CONNECTOR	\$4
A60L-0001-0315#J	MOTOR STARTER IEC	\$90	A63L-0001-0134#02	CONNECTOR MR-20LFH	\$8
A60L-0001-0315#N	MOTOR STARTER IEC	\$130	A63L-0001-0134#05	CONNECTOR	\$10
A60L-0001-0316#AA	TERMINAL FOR 0315/N IEC	\$9	A63L-0001-0134#06	CONNECTOR	\$10
A60L-0001-0326#150A	LASER BREAKER	\$1,682	A63L-0001-0134#101	CONN HONDA 50PFS	\$11
A60L-0001-0326#150B	BREAKER UL RELEASE DC24V	\$1,393	A63L-0001-0134#12	CONNECTOR MR-20LMH	\$8
A60L-0001-0341#BD	MOTOR STARTER IEC	\$254	A63L-0001-0134#121	CONN, HONDA 50PFC	\$6
A60L-0001-0358#J51F-30	FUSE	\$14	A63L-0001-0134#14	CONNECTOR/SPARE PARTS	\$13
A60L-0001-0359	FUSE 250V 5A	\$1	A63L-0001-0134#15	CONNECTOR	\$10
A60L-0001-0362#100U	FUSE,CR6L-100UL	\$44	A63L-0001-0134#21	CONNECTOR	\$8
A60L-0001-0362#300U	FUSE,CR6L-300UL	\$99	A63L-0001-0134#22	CONNECTOR	\$8
A60L-0001-0362#50U	FUSE,CR6L-50/UL 50A	\$34	A63L-0001-0134#25	CONNECTOR, 20 PIN	\$6
A60L-0001-0367#A300BF2H	LASER BREAKER	\$2,434	A63L-0001-0134#26	CONNECTOR, 50 PIN	\$6
A60L-0001-0380#V20C	HANDLE	\$86	A63L-0001-0134#31	CONNECTOR	\$8
A60L-0001-0386#10	FUSE	\$14	A63L-0001-0134#32	CONNECTOR	\$8
A60L-0001-0386#20	FUSE	\$14	A63L-0001-0134#34	CONN HONDA	\$8
A60L-0001-0386#5	FUSE	\$14	A63L-0001-0134#35	CONN M34,M5,M37	\$6
A60L-0001-0389#J	MOTOR STARTER IEC	\$82	A63L-0001-0134#39	CONNECTOR	\$9
A60L-0001-0391#V030	BREAKER□@ JPN,UL	\$171	A63L-0001-0134#41	CONNECTOR HONDA	\$20
A60L-0001-0391#V050	BREAKER□@ JPN,UL	\$172	A63L-0001-0152#03	CONNECTOR, 3 PIN NYLON HDR.	\$1
A60L-0001-0396#10A	FUSE	\$1	A63L-0001-0152#04	CONNECTOR, NYLON HDR.	\$1
A60L-0001-0396#8.0A	FUSE 8.0A	\$1	A63L-0001-0152#06	CONNECTOR, NYLON HDR.	\$2
A60L-0001-0421#20A	FUSE 20A PANEL i	\$1	A63L-0001-0174#HM2R	KEY BOARD	\$352
A61L-0001-0074	CRT COLOR MONITOR - 14 INCH	\$3,301	A63L-0001-0174#HM3S	KEY BOARD	\$352
A61L-0001-0074#A	14" CRT	\$3,301	A63L-0001-0176	RECEPTACLE	\$6
A61L-0001-0077	CRT UNIT	\$2,801	A63L-0001-0201#3LAR	CONNECTOR	\$6
A61L-0001-0085#A	CRT, 20" F/P-H	\$8,994	A63L-0001-0201#3LBS	CONNECTOR, 3 PIN	\$3
A61L-0001-0089	CRT, 20"	\$10,952	A63L-0001-0201#6BRW	CONNECTOR, 6 PIN HDR.	\$5
A61L-0001-0091	CRT UNIT	\$2,505	A63L-0001-0201#6BSN	CONNECTOR, 6 PIN, BURNDY	\$4
A61L-0001-0092	CRT 9" AMBER	\$631	A63L-0001-0202#6K	HOWGING	\$1



# A63L-0001-0202#6N

Part Number	Description	Price	Part Number	Description	Price
A63L-0001-0202#6N	CONNECTOR	\$2	A63L-0001-0406#SY	CONNECTOR,I/O MOD A	\$14
A63L-0001-0202#6W	CONNECTOR,SMS6PK-5	\$2	A63L-0001-0407#10SL4PB	CONNECTOR	\$8
A63L-0001-0206#21A	CONNECTOR, 50 PIN LATCH HEADER	\$4	A63L-0001-0407#2029PW	CONNECTOR	\$13
A63L-0001-0206#22A	CONNECTOR, 34 PIN LATCH HEADER	\$3	A63L-0001-0427#V	CONN A1,A2 MOTOR SIDE POWER	\$11
A63L-0001-0206#31A	CONNECTOR,YAMAICHI FAP-50-07#4	\$4	A63L-0001-0428#CJ	CONNECTOR	\$21
A63L-0001-0213	CONNECTOR (I-PREAMP)	\$23	A63L-0001-0428#CT	CONNECTOR AMP 0-176346-8	\$22
A63L-0001-0215#4S	CONNECTOR	\$20	A63L-0001-0434#AB15SNO	CONTACT A63L-0001-0434#AB15SNO	\$6
A63L-0001-0215#7P	CONNECTOR (I-FEEDBACK)	\$13	A63L-0001-0441#20101S	CONNECTOR	\$66
A63L-0001-0215#S	CONNECTOR	\$20	A63L-0001-0442	COVER	\$26
A63L-0001-0216	PWR RECT F/ PORTABLE READER	\$13	A63L-0001-0443	CONN D-SUB 25PIN MALE F/RS232C	\$15
A63L-0001-0219#09-C00	CONN HOUSING	\$1	A63L-0001-0443#115	CONN 15 PIN DSUB FEMALE	\$10
A63L-0001-0219#09-P00	CONN HOUSING 350720-1	\$1	A63L-0001-0443#215B	CONNECTOR 15 PIN DSUB MALE	\$13
A63L-0001-0219#12-P00	CONNECTOR HOUSING	\$2	A63L-0001-0457#22-22S	CONNECTOR,POWER 10S-30S	\$37
A63L-0001-0220#SP706-7	A63L-0001-0220/SP706-7 CONTACT	\$1	A63L-0001-0457#24-10S	CONNECTOR,POWER 20-40S	\$52
A63L-0001-0221#BS2P	CONNECTOR	\$21	A63L-0001-045733964	CONN, A63L-0001-0457#20-29SW	\$75
A63L-0001-0222#A1	CONNECTOR	\$6	A63L-0001-0460#032KXS	HOUSING,1-178128-3	\$1
A63L-0001-0226	SET PINS	\$2	A63L-0001-0460#032KSY	HOUSING,2-178128-3	\$1
A63L-0001-0226#A	BURNDY PIN, GOLD PLATED	\$1	A63L-0001-0472#S10	CONNECTOR,HIF3BA-10D	\$2
A63L-0001-0233#10-9	CONNECTOR, HIROSE, SOCKET F/LINEAR MTR	\$41	A63L-0001-0472#S20	CONN HIROSE (FAS-20-17)	\$2
A63L00010233#12P-10	CONN LIN MTR POSN DETECTOR	\$37	A63L-0001-0472#S34	CONNECTOR	\$3
A63L-0001-0233#12P-10	CONN LIN MTR POSN DETECTOR	\$37	A63L-0001-0472#S50	CONNECTOR, 50 PIN HIROSE	\$3
A63L0001-0233#12P-9	CONN LIN MTR DET CBL/DIM=9MM	\$35	A63L-0001-0478#FA	CONNECTOR	\$8
A63L-0001-0233#12P-9	LIN MTR DET CONN CBL/DIM=9MM	\$35	A63L-0001-0482#20101S	CONNECTOR HIROSE HR22-12WTPA-20S	\$39
A63L-0001-0233#15-10	CONNECTOR	\$72	A63L-0001-0485#20A	CONNECTOR	\$9
A63L-0001-0233#15-8	CONN	\$72	A63L-0001-0496	COVER	\$17
A63L-0001-0233#15S-8	LINEAR MTR FDBK CONNECTOR	\$19	A63L-0001-0497	CONNECTOR D-SUB	\$17
A63L-0001-0233#4	PWR PLUG MOTOR 2,1-0	\$40	A63L-0001-0500#A	CONN CASE	\$11
A63L-0001-0242#114S	CONNECTOR	\$13	A63L-0001-0509#201S	CONNECTOR F/A02B-0211-K382	\$46
A63L-0001-0242#68AS	CONNECTOR	\$8	A63L0001-0515#12LKD	HOUSING AMP 178289-6	\$1
A63L-0001-0242#88S	CONNECTOR	\$13	A63L-0001-0515#12LKD	HOUSING AMP 178289-6	\$1
A63L-0001-0257#28	IC SOCKET	\$42	A63L-0001-0517#2029CW4B	CONN, SIGNAL MTR SIDE ALPHA	\$11
A63L-0001-0261#23P	CONNECTOR	\$9	A63L-0001-0518#2L	HOUSING,IL-L2S-S3L-B	\$3
A63L-0001-0261#23S	CONNECTOR, 96 PIN MRF-96FL	\$12	A63L-0001-0535#062KMFXY	HOUSING,3-179554-3 F/BETA0 5 MOTOR SIDE	\$1
A63L-0001-0261#33S	CONNECTOR, 96 PIN HONDA	\$8	A63L-0001-0535#121KDF	HOUSING,BETA0 5 MOTOR SIDE SIGNAL	\$2
A63L-0001-0262#11PA	CONNECTOR, MRH-20MRA	\$7	A63L-0001-0572#44	CONNECTOR	\$15
A63L-0001-0262#21PA	CONNECTOR, 20 PIN	\$5	A63L-0001-0592#10AK	CLAMP FOR CABLE CONNECTOR	\$5
A63L-0001-0262#21SA	CONNECTOR, HONDA PCB	\$5	A63L-0001-0592#12AK	CONNECTOR CLAMP	\$5
A63L-0001-0262#225B	CONNECTOR	\$10	A63L-0001-0616#A2029SK	CONNECTOR	\$25
A63L-0001-0262#22PB	CONNECTOR, MRH-50MD	\$9	A63L-0001-0616#A2029SKJN	Connector	\$24
A63L-0001-0262#22SA	CONN, HONDA F/P.C.BOARD	\$7	A63L-0001-0616#B2029SK	CONNECTOR	\$30
A63L-0001-0262#22SB	CONNECTOR, MRH-50FD F/PCB	\$8	A63L-0001-0616#B2029SWK	CONN, A63L-0001-0616#B2029SWK	\$39
A63L-0001-0262#31PA	CONNECTOR	\$6	A63L-0001-0648#210SL3PJ	CONN, BRK/FAN MTR SIDE ALPHA	\$8
A63L-0001-0262#31SA	CONNECTOR	\$5	A63L-0001-0648#21810PH	CONN,PWR MTR SIDE A3	\$12
A63L-0001-0262#32PA	CONNECTOR	\$8	A63L-0001-0648#22222PJ	CONN, PWR MTR SIDE A12	\$14
A63L-0001-0262#32SB	CONNECTOR, MRH-50FA	\$9	A63L-0001-0648#42222SJ	CONNECTOR	\$40
A63L-0001-0262#33HA	CONNECTOR, HONDA	\$13	A63L-0001-0648#42410SJ	CONNECTOR	\$61
A63L-0001-0262#33PA	CONNECTOR	\$12	A63L-0001-0648#610SL3SJ	/610SL3SJ ALPH MTR CONN STR CE	\$23
A63L-0001-0262#33SA	CONNECTOR, 20 SOC. R.A.	\$13	A63L-0001-0648#61810SH	/61810SH ALPHA MTR CONN STR CE	\$27
A63L-0001-0281#4	RECP, PWR 3-0S MTR	\$5	A63L-0001-0648#810SL3SJ	/810S3SJ ALPHA MTR CONN ELB CE	\$25
A63L-0001-0283#SAD	TERMINAL BOARD	\$28	A63L-0001-0648#81810SH	CONN A63L-0001-0648#81810SH	\$32
A63L-0001-0283#SBC	TERMINAL BOARD	\$26	A63L-0001-0648#82222SJ	CONNECTOR	\$46
A63L-0001-0283#SBD	TERMINAL BOARD	\$28	A63L-0001-0648#82410SJ	/82410SJ ALPHA MTR CONN ELB CE	\$70
A63L-0001-0285#3HBR	CONNECTOR	\$7	A63L-0001-0649#610SL3S	CONNECTOR	\$20
A63L-0001-0286#6RB	CONNECTOR	\$20	A63L-0001-0653#04A	CLAMP FOR CABLE CONNECTOR	\$10
A63L-0001-0314	CONNECTOR	\$7	A63L-0001-0653#12A	CLAMP FOR CABLE CONNECTOR	\$10
A63L-0001-0321	CONNECTOR	\$8	A63L-0001-0653#16A	CLAMP FOR CABLE CONNECTOR	\$10
A63L-0001-0323	CONNECTOR MRH-50R8ED	\$9	A63L-0001-0685#P	CONNECTOR FOR POWER MATE I	\$19
A63L-0001-0351#52	SOCKET	\$8	A63L-0001-0726#041KMMM	HOUSING	\$2
A63L-0001-0351#68	USE 44A726705-201	\$8	A63L-0001-0726#041KMXX	CONNECTOR HOUSING	\$2
A63L-0001-0351#84	USE 44A726705-200	\$12	A63L-0001-0726#041KMXY	HOUSING	\$2
A63L-0001-0370#P	CONNECTOR	\$3	A63L-0001-0727#CSN	CONTACT	\$1
A63L-0001-0371#P	TERMINAL STRIP	\$19	A63L-0001-0780#12	ENCODER CONN B0.5 (RM15WTJA-12S)	\$30
A63L-0001-0381#3LBR	CONNECTOR, TIN	\$4	A63L-0001-0780#4	POWER CONN B0.5 (RM15WTJA-4S)	\$28
A63L-0001-0381#6BRN	CONNECTOR,	\$4	A63L-0001-0781#15-7	ENCODER CABLE CLAMP B0.5 (RM15WTP-CP7)	\$6
A63L-0001-0381#6BRW	CONNECTOR,	\$4	A63L-0001-0781#15-8	POWER CABLE CLAMP B0.5 (RM15WTP-CP8)	\$6
A63L-0001-0382#3HBR	CONNECTOR, TIN	\$10	A63L-0001-0782#C	HOUSING	\$1
A63L-0001-0390#PB	FA CRD CONN	\$20	A63L-0001-0785	BRAKE CONN W/CLAMP B0.5 (RM12WJT-2S(7))	\$41
A63L-0001-0396#80PA	CONNECTOR	\$8	A63L-0001-0793	HOUSING	\$9
A63L-0001-0399#20CA	CONNECTOR PLASTIC CASE	\$4	A63L-0001-0795	HOUSING 1318182-2	\$2
A63L-0001-0399#20CB	CONN PLASTIC CASE	\$4	A63L-0001-0798	EJECTOR	\$3
A63L-0001-0399#20FA	CONNECTOR IDC 20 PIN	\$3	A63L-0001-0829#P1	CONNECTOR (CBL DIA = 4.6-5.0mm)	\$63
A63L-0001-0399#20FA-CA	CON/CAS A63L-0001-0399#20FA-CA	\$7	A63L-0001-0848#B10SL2	CONNECTOR	\$11
A63L-0001-0399#20FA-CF	CONN A63L-0001-0399#20FA-CF	\$5	A63L-0001-0875#SC	CONNECTOR	\$37
A63L-0001-0399#20FH-CD	#20FH-CD CONN W/CASE HIROSE	\$8	A63L-0001-0880#KE1	CONNECTOR	\$22
A63L-0001-0399#20FP	SOLDER 20P CONNECTOR	\$5	A63L-0020-0002	ADAPTER I/O LINK, OPTICAL TO OPTICAL	\$52
A63L-0001-0399#20FP-CB	CON/CAS A63L-0001-0399#20FP-CB	\$9	A63L-0020-0004	OPTICAL ADAPTER, HSSB, LOW ATTENUATION	\$77
A63L-0001-0399#20FS	CONNECTOR SOLDER 20 PIN	\$4	A650-0001-0314	TERMINAL BLOCK	\$34
A63L-0001-0399#20FS-CA	CONN HONDA #20FS-CA	\$5	A650-0001-0406	TERMINAL	\$3
A63L-0001-0399#20LA	METAL CASE	\$8	A65L-0001-0082#A	TERMINAL BLOCK	\$3
A63L-0001-0399#50FA	CONN HONDA CRIMP	\$9			
A63L-0001-0399#50FS	CONN HONDA SOLDER	\$9			
A63L-0001-0399#50LA	CONN HONDA COVER	\$9			
A63L-0001-0405#AJ03	CONNECTOR, 32 SOC ANG HEADER	\$4			
A63L-0001-0406#PAY	CONNECTOR	\$6			

RENEWAL PARTS  
PRICING

D-86



Part Number	Description	Price	Part Number	Description	Price
A65L-0001-0126#6P	LAG TERMINAL	\$3	A660-2002-T702#L1R803	CABLE	\$126
A65L-0001-0128#4	TERMINAL BLOCK	\$6	A660-2002-T704/L2R003	CABLE 2M	\$75
A65L-0001-0134	TERMINAL	\$18	A660-2002-T705#L5R003	CABLE 5M	\$32
A65L-0001-0160#2PA	TERMINAL BLOCK	\$5	A660-2002-T918#A1000	CABLE	\$41
A65L-0001-0160#3PA	TERMINAL BLOCK	\$3	A660-2002-T918#A1200	CABLE	\$43
A65L-0001-0169#15A3	TERMINAL BLOCK	\$6	A660-2002-T918#A2200	CABLE	\$48
A65L-0001-0193#A04P01	TERMINAL BLOCK	\$13	A660-2003-T114#L10R03	A660-2003-T114/L10R03, CABLE	\$316
A65L-0001-0244#A	TERMINAL	\$4	A660-2003-T130#L2R003	CABLE	\$100
A65L-0001-0280	TERMINAL BLOCK	\$24	A660-2003-T130#L7R003	CABLE	\$175
A65L0001-0292#1-20P	LAG TERMINAL	\$11	A660-2003-T220#L14R03	CABLE	\$264
A65L-0001-0292#1-3P	LAG TERMINAL	\$1	A660-2003-T221#L14R03	CABLE	\$282
A65L-0001-0298#1	TERMINAL,BN15MW	\$3	A660-2003-T234#L150R0	CABLE A660-2003-T234#L150R0	\$13
A65L-0001-0298#3	TERMINAL BLOCK TBA,TBB	\$3	A660-2003-T310#L7R003	CABLE	\$95
A65L-0001-0302#31	DIN RAIL	\$11	A660-2003-T382#L2R003	CABLE 2M	\$68
A65L-0001-0302#35	RAIL	\$6	A660-2003-T382#L5R203	CABLE 5.2M	\$133
A65L-0001-0302#75	RAIL	\$6	A660-2003-T382#L5R403	CABLE 5.4 M	\$94
A65L-0001-0308#1	MARKPLATE	\$1	A660-2003-T383	CABLE	\$120
A65L-0001-0313#C11	COVER	\$6	A660-2003-T387#L2R303	CABLE VIDEO	\$102
A65L-0001-0313#C12	COVER, TERMINAL BOARD	\$11	A660-2003-T388#L2R303	CABLE MDI 2.3M	\$84
A65L-0001-0313#C21	COVER	\$4	A660-2003-T388#L7R003	CABLE	\$103
A65L-0001-0330	TERMINAL BLOCK	\$38	A660-2003-T391#L5R003	CBL S SERIES VCU CMD 5M	\$82
A65L-0001-0342	TERMINAL	\$52	A660-2003-T394#L14R03	CABLE 14M	\$316
A65L-0001-0369#13PF	TERMINAL BLOCK	\$14	A660-2003-T402#L14R03	CABLE 14M	\$203
A65L-0001-0369#3P	TERMINAL BOARD	\$4	A660-2003-T403#L2R003	CABLE	\$121
A65L-0001-0369#3PF	TERMINAL BOARD	\$4	A660-2003-T411#L3R003	CABLE WITH CONNECTOR	\$85
A65L-0001-0378	TERMINAL BOARD	\$10	A660-2003-T416#L14R03	CABLE	\$213
A65L-0001-0479#20V8	PSD-20V8	\$93	A660-2003-T489#L1R803C	CABLE A660-2003-T489#L1R803C	\$60
A65L-0001-0486	TERMINAL BLOCK,21P	\$54	A660-2003-T489#L1R803D	CABLE A660-2003-T489#L1R803D	\$60
A65L-0001-0505#C	TERMINAL BLOCK	\$39	A660-2003-T515#L14R03	CABLE	\$296
A65L-0001-0506	TB 1-DC TERMINAL	\$26	A660-2003-T528#L240R0	CABLE, SENSOR FOR SPMTR	\$59
A65L-0001-0518#2P	TERMINAL BLOCK	\$9	A660-2003-T528#L340R0	CABLE	\$59
A65L-0001-0523#H	TERMINAL BLOCK	\$30	A660-2003-T554	CABLE	\$76
A660-2001-T440#34B0050	CABLE A660-2001-T440#34B0050	\$19	A660-2003-T555	CABLE	\$281
A660-2001-T440#34B0100	CABLE A660-2001-T440#34B0100	\$19	A660-2003-T556	CABLE	\$289
A660-2001-T450#L1R303	CABLE 1.3M	\$135	A660-2003-T557	CABLE	\$130
A660-2001-T450#L7R003	CABLE	\$334	A660-2003-T558	CABLE	\$84
A660-2001-T460	CABLE	\$173	A660-2003-T565#L5R003	CABLE 5M	\$19
A660-2001-T460#L1R503	CABLE	\$112	A660-2003-T580#L14R03	CABLE	\$168
A660-2001-T460#L1R803	CABLE	\$183	A660-2003-T591#L5R003	CABLE 5M	\$26
A660-2001-T460/L1R703	CABLE W/CONN 1.7M	\$101	A660-2003-T612#L600R0	CABLE POWER SUPPLY	\$37
A660-2001-T615	CABLE	\$38	A660-2003-T661#L10R03A	CABLE	\$206
A660-2001-T615#L2R003	CABLE	\$232	A660-2003-T661#L10R03B	CABLE A660-2003-T661#L10R03B	\$195
A660-2001-T895#50B0030	A660-2001-T895#50B0030 FLAT CB	\$18	A660-2003-T661#L10R03D	HI FUNC TEACH PNDANT CBL A 10M	\$202
A660-2001-T939#L2R703	CABLE POWER 2.7M	\$51	A660-2003-T705#L14R03	CABLE	\$139
A660-2001-T998#16A0400	A660-2001-T998#16A0400 CABLE	\$10	A660-2003-T712#L14R03	CABLE	\$129
A660-2001-T998#40B0060	CABLE A660-2001-T998#40B0060	\$23	A660-2003-T801#L20R03	CABLE	\$558
A660-2001-T998#50A0100	A660-2001-T998#50A0100 CABLE	\$18	A660-2003-T818#L14R03	CABLE	\$170
A660-2001-T998#50A0250	CABLE A660-2001-T998#50A0250	\$20	A660-2003-T837#L400R0	CABLE	\$15
A660-2001-T998#50B0040	CABLE, FLAT	\$16	A660-2003-T857#L350R0A	CABLE,LCD SIGNAL	\$72
A660-2001-T998#50B0050	CABLE A660-2001-T998#50B0050	\$16	A660-2004-T013#L350R0	CABLE	\$14
A660-2001-T998#50B0200	FLAT CABLE	\$19	A660-2004-T116#L100R0A	A660-2004-T116#L100R0A CABLE	\$15
A660-2001-T998#50B0270	CABLE	\$18	A660-2004-T116#L150R0A	A660-2004-T116#L150R0A CABLE	\$15
A660-2001-T998#50B0350	CABLE A660-2001-T998#50B0350	\$20	A660-2004-T116#L200R0A	A660-2004-T116#L200R0A CABLE	\$25
A660-2001-T998#50B0500	CABLE A660-2001-T998#50B0500	\$19	A660-2004-T168#L5R003	cablE	\$17
A660-2001-T998#50B1000	CABLE	\$25	A660-2004-T186#L150R0A	A660-2004-T186#L150R0A CABLE	\$14
A660-2001-T998/16A0400	A660-2001-T998/16A0400 CABLE	\$12	A660-2004-T186#L200R0A	A660-2004-T186#L200R0A CABLE	\$20
A660-2001-T998/34A0500	CABLE A660-2001-T998/34A0500	\$24	A660-2004-T188#L240R0	CABLE	\$18
A660-2001-T998/50B0050	CABLE A660-2001-T998#50B0050	\$24	A660-2004-T189#L240R0	CABLE, SENSOR ALPHA 1-22	\$25
A660-2001-T998/50B0200	CABLE, FLAT	\$30	A660-2004-T189#L340R0	CABLE, BUILT IN SENSOR 30-UP	\$24
A660-2001-T998/50B0270	CABLE	\$30	A660-2004-T212#L14R03	CABLE	\$179
A660-2001-T998/50B1000	CABLE	\$35	A660-2004-T227#L14R03	CABLE	\$209
A660-2002-T146#L7R003	CABLE	\$259	A660-2004-T254#L7R003	CABLE PULSE GEN/BLT IN SENSOR	\$82
A6602002-T146#L7R03	CONNECTING CABLE	\$131	A660-2004-T261#L7R003	CABLE	\$143
A660-2002-T146#L7R03	CONNECTING CABLE	\$111	A660-2004-T284#L11R03EB	CABLE	\$182
A660-2002-T147#L4R203	CABLE	\$41	A660-2004-T284#L12R03A	CABLE	\$212
A660-2002-T148#L7R003	CONNECTING CABLE	\$133	A660-2004-T284#L21R03EB	CABLE	\$273
A660-2002-T187#L1R503	CABLE	\$156	A660-2004-T677#L5R003	CABLE	\$203
A660-2002-T258#L150R0	CABLE 105MM	\$45	A660-2004-T682#L7R003	CABLE	\$289
A660-2002-T259#L800R0	CABLE 800MM	\$35	A660-2004-T715#L14R03	CABLE for FANUC POWER Mate-MODEL D	\$405
A660-2002-T292#L14R03	CABLE,A660-2002-T292#L14R03	\$774	A660-2004-T722#L14R33	CABLE	\$786
A660-2002-T361/L7R003	CABLE 7M	\$43	A660-2004-T722#L7R303	CABLE	\$619
A660-2002-T386#L3R003	Cable	\$74	A660-2004-T724#L7R303	CABLE	\$503
A660-2002-T386/L750R0	CABLE POWER SENSOR 750MM	\$52	A660-2004-T840#L10R03	CABLE	\$206
A660-2002-T556#L400R0	CABLE CRT/MDI SWITCHING 400MM	\$56	A660-2004-T840#L20R03	CABLE	\$303
A660-2002-T571#L14R03	CABLE 14M	\$376	A660-2004-T891#L14R03	CABLE	\$179
A660-2002-T572#L14R03	CABLE 14M	\$359	A660-2004-T899#L7R003	CABLE, IBM PC/AT PUNCH PANEL 7M	\$102
A660-2002-T575#L200R0B	CABLE	\$7	A660-2004-T978#L12R53B	CABLE	\$208
A660-2002-T575#L250R0B	CABLE	\$6	A660-2005-T015#L300R0	CABLE	\$17
A660-2002-T575#L500R0B	CABLE A660-2002-T575#L500R0B	\$8	A660-2005-T065#L7R003	CABLE, RS-232-C CABLE (DETACHABLE)	\$103
A660-2002-T622#L2R003	CABLE POWER F/TAPE READER 2M	\$30	A660-2005-T089	CABLE	\$12
A660-2002-T623#L1R503	CABLE 1.5M	\$29	A660-2005-T115	CABLE	\$13
A660-2002-T623/L1R603	CABLE 1.6M	\$27	A660-2005-T131#L6R003M	CABLE, PROFIBUS BOARD MASTER	\$79
A660-2002-T647#L3R003	CABLE	\$52	A660-2005-T131#L6R003S	CABLE, PROFIBUS BOARD SLAVE	\$79
A660-2002-T649#L1R503	CABLE SIGNAL 1.5M	\$84	A660-2005-T293#L5R003	CABLE	\$351

RENEWAL PARTS  
PRICING

D-87

# A660-2005-T294#L5R003

Part Number	Description	Price	Part Number	Description	Price
A660-2005-T294#L5R003	CABLE	\$116	A660-4001-T963#L14R03	CABLE	\$723
A660-2005-T295#L5R003	CABLE	\$93	A660-4001-T963#L9R003	CABLE	\$731
A660-2005-T296#L100R0	CABLE	\$78	A660-4002-T388#L130R0	CABLE 130MM	\$33
A660-2005-T297#L100R0	CABLE	\$41	A660-4002-T870#LA	CABLE	\$199
A660-2005-T298#L1R003	CABLE	\$38	A660-4002-T908#L3R203	CABLE W212	\$193
A660-2005-T626#L100R0A	CABLE	\$14	A660-4002-T931#L4R603	CABLE 4.6M	\$95
A660-2005-T626#L200R0A	CABLE	\$14	A660-4002-T953#L7R503	CABLE	\$724
A660-2005-T626#L400R0	CABLE	\$15	A660-4003-T134	CONNECTOR	\$12
A660-2005-T643#L240R0	CABLE, 240MM F/Mi & MZi < ALPHA 30	\$17	A660-4003-T319	CABLE	\$1,025
A660-2005-T643#L340R0	CABLE, 340MM F/Mi & MZi >= ALPHA 30	\$18	A660-4003-T378	CABLE	\$774
A660-2040-T004#A1200AY	CABLE A660-2040-T004#A1200AY	\$75	A660-4004-T134#400-150	CABLE	\$19
A660-2040-T004#A1800AX	CABLE A660-2040-T004#A1800AX	\$80	A660-4040-T005#LA	CABLE RIBBON F/PWR MATE A	\$31
A660-2040-T010#60A0015	CABLE	\$16	A660-4040-T017#L80R00	CABLE	\$28
A660-2040-T010#60A0060	CABLE A660-2040-T010#60A0060	\$17	A660-4040-T031#A	CABLE	\$26
A660-2040-T010#60A0100	CABLE A660-2040-T010#60A0100	\$17	A660-4042-T004#L1R503	CABLE	\$91
A660-2040-T010#60A0150	Connection cable for hard disk unit	\$18	A660-4042-T017#L1R003	CABLE	\$32
A660-2040-T010#60A1500	A660-2040-T010/60A1500 CABLE	\$37	A660-8001-T532	JUMPER, 70 MM	\$3
A660-2040-T010#80A1500	A660-2040-T010/80A1500 CABLE	\$47	A660-8002-T383#L7R003	CABLE 7M	\$39
A660-2040-T010#90C0100	Cable	\$42	A660-8002-T437#L1R103	CABLE W/TERM 1.1M	\$18
A660-2040-T011#60B0060	FLT CBL A660-2040-T011#60B0060	\$17	A660-8002-T450	CABLE, GROUND	\$6
A660-2040-T011#60B0130	CABLE	\$18	A660-8002-T685#L150R0	CABLE	\$2
A660-2040-T011#80A0060	A660-2040-T011/80A0060 CABLE	\$22	A660-8002-T687#L200R0	CABLE, GROUND 200MM	\$3
A660-2040-T011#80B0030	CABLE A660-2040-T011#80B0030	\$20	A660-8002-T694#L300R0	CABLE 300MM	\$4
A660-2040-T037#34C0100	CABLE	\$10	A660-8002-T695#L250R0	CABLE W/TERM 250MM	\$3
A660-2040-T041#40B0060	CABLE	\$9	A660-8002-T695#L350R0	A660-8002-T695#L350R0 CB 350MM	\$3
A660-2040-T042#L280R0A	FLAT CABLE	\$10	A660-8002-T702	CABLE	\$46
A660-2040-T042#L550R0A	CABLE	\$11	A660-8002-T771	CABLE	\$2
A660-2040-T045#34A0250	CABLE A660-2040-T045#34A0250	\$9	A660-8003-T264#L50R00	CABLE FASTON 500MM F/PWR MATE A	\$3
A660-2040-T045#34A0500	FLAT CABLE	\$10	A660-8003-T276#L2R303	CABLE 2.3M	\$23
A660-2040-T045#34A1000	CABLE A660-2040-T045#34A1000	\$13	A660-8004-T067#L7R003	CABLE 7M	\$58
A660-2040-T045#34B0020	FT CBL A660-2040-T045#34B0020	\$8	A660-8004-T115#L5R403	CABLE	\$100
A660-2040-T045#50B0100	CABLE A660-2040-T045#50B0100	\$10	A660-8004-T116#L14R03	CABLE	\$215
A660-2040-T046#L0070	CABLE	\$6	A660-8004-T926	JUMPER 150 MM	\$5
A660-2040-T047#L0300	CABLE	\$6	A660-8005-T095#L14R03	CABLE	\$649
A660-2040-T058#L90R00A	CABLE	\$9	A660-8005-T434#L1R903	CABLE POWER 1.9M	\$26
A660-2040-T077#A5000	CABLE	\$59	A660-8005-T479/L400R0	CABLE INPUT TRANSMISSION 400MM	\$33
A660-2040-T153#40B0300B	CABLE	\$12	A660-8005-T549#L7R003	CABLE	\$34
A660-2042-T001	CABLE	\$45	A660-8005-T984#LB-A	CABLE, 7 M	\$134
A660-2042-T001#L1R003	CABLE 1 M	\$47	A660-8005-T984#LC-A	CABLE 14M	\$226
A660-2042-T001#L2R003	CABLE 2M	\$52	A660-8006-T081#L240R0	CABLE	\$22
A660-2042-T002#L10R03	CABLE 10M	\$114	A660-8006-T081#L340R0	CABLE	\$26
A660-2042-T002#L5R003	CABLE 5M	\$74	A660-8006-T667#L1R203	CABLE	\$18
A660-2042-T002#L5R003C	CABLE A660-2042-T002#L5R003C	\$68	A660-8006-T667#L2R003	CABLE, BATTERY, ABS FEEDBACK	\$20
A660-2042-T002#L5R003J	CABLE A660-2042-T002#L5R003J	\$101	A660-8006-T667#L4R003	CABLE BATTERY REMOTE BUFFER	\$23
A660-2042-T002#L7R003	CABLE I/O LINK	\$82	A660-8007-T116#L1R703	CABLE 1.7M	\$20
A660-2042-T003	CABLE	\$45	A660-8007-T184	CABLE	\$97
A660-2042-T003#L1R003	CABLE	\$41	A660-8007-T185	CABLE	\$51
A660-2042-T003#L2R003	CABLE	\$48	A660-8007-T192#L1R403	CABLE	\$151
A660-2042-T006#L2R003A	CABLE A660-2042-T006#L2R003A	\$81	A660-8007-T192#L2R003	CABLE	\$41
A660-2042-T006#L5R003A	CABLE A660-2042-T006#L5R003A	\$99	A660-8007-T193	CABLE	\$27
A660-2042-T007#402	CABLE, SERVO TEST BD ADAPTER	\$41	A660-8007-T204	CABLE	\$24
A660-2042-T007#L050R0D	A660-2042-T007#L050R0D	\$38	A660-8007-T419#L4R003	CABLE ABS PULCO BATTERY 4M	\$25
A660-2042-T007#L100R0B	CABLE, SERVO TEST BD ADAPTER	\$36	A660-8007-T643#L14R03	CABLE	\$102
A660-2042-T007#L120R0	CABLE	\$36	A660-8007-T714	CABLE	\$142
A660-2042-T007#L400R0B	CABLE, FS15B TO IF BD	\$35	A660-8007-T715	CABLE	\$133
A660-2042-T007#L5R003	CABLE 5M	\$82	A660-8007-T716	CABLE	\$87
A660-2042-T009#L500R0	CABLE	\$48	A660-8007-T717	CABLE	\$121
A660-2042-T009#L5R003	CABLE 5M	\$82	A660-8007-T718	CABLE	\$115
A660-2042-T011#L1R003	CABLE 1M	\$40	A660-8007-T719	CABLE	\$168
A660-2042-T031#L200R0	CABLE	\$39	A660-8007-T720	CABLE	\$115
A660-2042-T031#L5R003	CABLE, 5 meters	\$83	A660-8007-T721	CABLE	\$51
A660-2042-T040#L5R003	CABLE	\$64	A660-8007-T722	CABLE	\$168
A660-2042-T041#L10R03C	CABLE A660-2042-T041#L10R03C	\$74	A660-8007-T723	CABLE	\$82
A660-2042-T041#L500R0B	CABLE	\$33	A660-8007-T724	CABLE	\$51
A660-2042-T041#L5R003	CABLE	\$60	A660-8007-T725	CABLE	\$143
A660-2042-T074#L100R0	CABLE	\$31	A660-8007-T739#L6R703A	CABLE A660-8007-T739#L6R703A	\$200
A660-2042-T074#L150R0	CABLE	\$34	A660-8007-T809#L7R003	CABLE 7M	\$26
A660-2042-T074#L200R0	CABLE	\$43	A660-8007-T815#L5R003	CABLE 5M	\$30
A660-2042-T077	CABLE	\$200	A660-8007-T828#L5R003	CABLE 5M BATT CBL, SEP ABS PULSE CODER	\$46
A660-2042-T142#L100R0	Cable for 7.2", 9.5" LCD	\$34	A660-8007-T907#L7R003	CABLE 7M	\$37
A660-2042-T142#L80R00	CABLE	\$34	A660-8007-T996#L7R003	CABLE	\$69
A660-2042-T143#250R0	CABLE	\$40	A660-8007-T997#L14R03	CABLE	\$200
A660-2042-T143#L250R0	Cable	\$41	A660-8008-T039	CABLE	\$173
A660-2042-T143#L450R0	Cable	\$41	A660-8008-T043	CABLE	\$90
A660-2042-T149#L2R003	Cable, 2M	\$82	A660-8008-T139#L3R303A	CABLE W231 (-T139#L3R303A)	\$36
A660-2042-T149#L5R003	Cable, 5M	\$95	A660-8008-T139#L3R303C	CABLE W236 (-T139#L3R303C)	\$36
A660-2042-T154#L100R0	IF Cable A660-2042-T154#L100R0	\$42	A660-8008-T139#L3R903E	CABLE W238 (-T139#L3R903E)	\$36
A660-2042-T161#L5R003	SERIAL SPINDLE CABLE, 5M	\$53	A660-8008-T139#L3R903F	CABLE W239 (-T139#L3R903F)	\$36
A660-2042-T163#L1R003	Cable	\$26	A660-8008-T139#L3R903G	CABLE W240 (-T139#L3R903G)	\$36
A660-2042-T178#L5R003	CABLE	\$52	A660-8008-T139#L4R003D	CABLE W237 (-T139#L4R003D)	\$36
A660-2042-T200#L100R0	CABLE	\$48	A660-8008-T139#L4R903H	CABLE W241 (-T139#L4R903H)	\$37
A660-2203-T501	CABLE HIRES SENSOR PRE AMP/MTR	\$76	A660-8008-T139#L5R003B	CABLE W235 (-T139#L5R003B)	\$37
A660-4001-T806#L1R503	CABLE 1.5M	\$76	A660-8008-T142#L4R603B	CABLE W245 (-T142#L4R603B)	\$35
A660-4001-T806#L3R003	CABLE	\$130	A660-8008-T142#L5R203A	CABLE W215 (-T142#L5R203A)	\$34

RENEWAL PARTS  
PRICING

D-88



Part Number	Description	Price	Part Number	Description	Price
A660-8008-T143#L3R003A	CABLE W232 (-T143#L3R003A)	\$43	A66L-2003-0497#L7R003	CABLE PWR/MATE DPL/MDI 7M	\$94
A660-8008-T143#L3R003B	CABLE W233 (-T143#L3R003B)	\$43	A66L-2004-0966	CABLE WITH PIN	\$1
A660-8008-T143#L4R903E	CABLE W246 (-T143#L4R903E)	\$45	A66L-2040-0007	CABLE F/TEST BOARD	\$7
A660-8008-T143#L5R103D	CABLE W243 (-T143#L5R103D)	\$45	A66L-2042-0148#L70R00	CABLE	\$13
A660-8008-T143#L5R203C	CABLE W242 (-T143#L5R203C)	\$45	A66L-2050-0004#L100R0	FPC CABLE	\$7
A660-8008-T145#L3R003A	CABLE W223/W224 (T145#L3R003A)	\$69	A66L-2050-0009	FLEXIBLE CABLE	\$71
A660-8008-T145#L3R003B	CABLE W225/W226 (T145#L3R003B)	\$69	A66L-2050-0010#A	Cable for PCMCIA memory card	\$36
A660-8008-T145#L3R003C	CABLE W227/W228 (T145#L3R003C)	\$69	A66L-2050-0010#B	Cable for PCMCIA memory card	\$36
A660-8008-T147#L3R103	CABLE W202	\$60	A66L-2050-0014	LCD CABLE	\$31
A660-8008-T234#L14R53	CABLE	\$699	A66L-2050-0015	CABLE	\$55
A660-8008-T235#L14R53	CABLE	\$699	A66L-2050-0017	CABLE ASM	\$117
A660-8008-T244#L7R03	CABLE	\$75	A66L-2050-0024	CABLE	\$128
A660-8008-T561#L7R003B	CABLE A660-8008-T561#L7R003B	\$69	A66L-2050-0025#A	Cable for PCMCIA memory card	\$31
A660-8008-T562#L5R003	CABLE, 24V POWER	\$21	A66L-2050-0025#B	Cable for PCMCIA memory card	\$31
A660-8008-T692#L5R303A	CABLE W213 (-T692#L5R303A)	\$129	A66L-2050-0026	CABLE, LCD	\$31
A660-8009-T184#LC	CABLE	\$15	A66L-6001-0004#L10R03	CABLE, FIBER OPTIC 10M	\$139
A660-8009-T409#L200R0A	CABLE SPINDLE CHECK BOARD	\$42	A66L-6001-0004#L20R03	CABLE FIBER OPT 20M	\$224
A660-8009-T409#L240R0A	CABLE SERVO CHECK BOARD	\$42	A66L-6001-0004#L30R03	CABLE, FIBER OPTIC 30M	\$301
A660-8009-T807#L14R03	CABLE SERVO SVMT R PWR (GRP S) ELB 14M	\$111	A66L-6001-0004#L5R003	OPT CABLE(L-5M)	\$90
A660-8009-T810#L14R03	CABLE	\$156	A66L-6001-0005#L1R003	OPTICAL CABLE (1 METER)	\$42
A660-8009-T811#L14R03	CABLE	\$163	A66L-6001-0005#L3R003	OPTICAL CABLE (3 METERS)	\$54
A660-8009-T815#L14R03	CABLE	\$226	A66L-6001-0008#L1R503	CABLE F/O 1.5M	\$51
A660-8009-T893#L7R003	CABLE	\$86	A66L-6001-0008#L2R003	FIBRE OPTIC CABLE 2M	\$52
A660-8010-T224	CABLE	\$619	A66L-6001-0008#L3R003	CABLE F/O 3M	\$61
A660-8011-T007	CABLE	\$587	A66L6001-0009#L100R3	CABLE A66L-6001-0009/L100R3	\$898
A660-8011-T604	CABLE	\$5	A66L-6001-0009#L100R3	FIBER OPTIC CABLE 100M EXT	\$758
A660-8011-T605#L5R003	CABLE	\$28	A66L-6001-0009#L10R003	CABLE	\$127
A660-8011-T887#L14R03	CABLE	\$99	A66L-6001-0009#L10R03	OPTICAL CABLE 10m reinforced	\$140
A660-8012-T039#L14R03	CABLE	\$221	A66L-6001-0009#L15R003	FIBER OPTIC CABLE EXT	\$239
A660-8042-T021#L14R03	CABLE	\$58	A66L-6001-0009#L15R03	FIBER OPTIC CABLE 15 M EXT	\$141
A66L-0001-0032	WIRE (2 PAIRS) IN METERS	\$6	A66L-6001-0009#L20R03	CABLE FIBER OPTIC 20M EXT	\$183
A66L-0001-0041#L10R03	CABLE	\$61	A66L-6001-0009#L30R03	CABLE OPTICAL FIBER (30M)	\$250
A66L-0001-0041#L200R3	CABLE 10 PAIR BRAIDED/SHD 200M	\$918	A66L-6001-0009#L40R03	FIBER OPTIC CABLE 40M EXT	\$321
A66L-0001-0041#L50R03	CABLE, 10 PAIR/1 COND,50 METER	\$230	A66L-6001-0009#L50R03	FIBER OPTIC CABLE 50M EXT	\$394
A66L-0001-0042#L100R3	CABLE 50 COND BRAIDED/SHD 100M	\$1,002	A66L-6001-0009#L5R003	FIBER OPTIC CABLE 5M EXT	\$69
A66L-0001-0061	WIRE (6 PAIRS) IN METERS	\$10	A66L-6001-0009#L60R03	CABLE OPTICAL FIBER (60M)	\$467
A66L-0001-0062	WIRE (8 PAIRS) IN METERS	\$8	A66L-6001-0009#L80R03	CABLE OPTICAL FIBER (80M)	\$612
A66L-0001-0094	WIRE (17 PAIRS) IN METERS	\$7	A66L-6001-0009#L90R03	CABLE OPTICAL FIBER (90M)	\$683
A66L-0001-0129	WIRE IN METERS	\$10	A66L-6001-0009/L10R03	CABLE FIBER OPTIC 10M EXT	\$156
A66L-0001-0132	WIRE (8 PAIRS) IN METERS	\$11	A66L-6001-0009/L15R03	CABLE FIBER OPTIC 15M EXT	\$166
A66L-0001-0133	WIRE (3 CONDUCTORS) IN METERS	\$4	A66L-6001-0022#L50R03	FIBRE OPTIC CABLE 50M	\$455
A66L-0001-0134	WIRE (5 CONDUCTORS) IN METERS	\$11	A66L-6001-0023#L10R03	CABLE OPTICAL FIBER F/O 10M	\$28
A66L-0001-0155	WIRE (5 PAIR/6 COND) IN METERS	\$13	A66L-6001-0023#L150R0	JUMPER CABLE FOR FSSB SERVO	\$7
A66L-0001-0157	CABLE 5 PAIR/6 COND PER METER	\$23	A66L-6001-0023#L1R003	CABLE F/O 1M	\$9
A66L-0001-0161#L50R03	CABLE 50 METERS	\$776	A66L-6001-0023#L2R003	CABLE F/O 2M	\$10
A66L-0001-0182	CABLE MULTI CONDUCTOR	\$99	A66L-6001-0023#L300R0	CABLE F/O 0.3M	\$7
A66L-0001-0199#L100R3	CABLE 12 PAIR BRAIDED/SHD 100M	\$710	A66L-6001-0023#L3R003	CABLE F/O 3M	\$13
A66L-0001-0199#L50R03	CABLE 12 PAIR BRAIDED/SHD 50M	\$353	A66L-6001-0023#L500R0	CABLE F/O 0.5M	\$8
A66L-0001-0206	WIRE (10 PAIRS) IN METERS	\$93	A66L-6001-0023#L5R003	CABLE F/O 5M	\$17
A66L-0001-0206#L25R03	CABLE	\$197	A66L-6001-0023#L7R003	CABLE F/O 7M	\$22
A66L-0001-0219/L100R3	CABLE, 5CORES COAX 75 OHM 100M	\$1,019	A66L-6001-0026#L100R3	CABLE F/O 100M	\$494
A66L-0001-0228#L100R3	CABLE (100M ROLL)	\$1,364	A66L-6001-0026#L10R03	CABLE F/O 10M	\$79
A66L-0001-0228#L30R03	CABLE, 30M	\$389	A66L-6001-0026#L15R03	CABLE F/O 15M, SHEATHED	\$102
A66L-0001-0261	CABLE - PER METER	\$7	A66L-6001-0026#L1R003	CABLE F/O 1M	\$34
A66L-0001-0261#L10R03	CABLE 10 METERS	\$85	A66L-6001-0026#L20R03	CABLE F/O 20M	\$125
A66L-0001-0284#10P	USE A66L-0001-0284##320 W/OUT	\$1,152	A66L-6001-0026#L2R003	CABLE	\$39
A66L-0001-0284#10P100R3	CABLE 100 METER ROLL	\$701	A66L-6001-0026#L30R03	CABLE F/O 30M	\$172
A66L-0001-0284#10P200R3	CABLE, 10 PAIRS, ROLL OF 200M	\$1,578	A66L-6001-0026#L3R003	CABLE F/O 3M, SHEATHED	\$45
A66L-0001-0285#25P	WIRE 25 PAIRS IN ROLLS OF 100M	\$2,983	A66L-6001-0026#L50R03	CABLE F/O 50M	\$264
A66L-0001-0286#L100R3	CABLE MATL. 3 PAIR + 6, 100M	\$467	A66L-6001-0026#L5R003	CABLE F/O 5M	\$56
A66L-0001-0296#L100R3	CABLE 6 PAIR COAX 100M	\$1,398	A66L-6001-0026#L7R003	CABLE F/O 7M	\$65
A66L-0001-0296#L200R3	CABLE 200M	\$2,984	A66L-6001-0029#L10R03	CABLE, FIBRE OPT LOW ATTEN 10M	\$280
A66L-0001-0298	USE A66L-0001-0298#L200R3	\$9	A66L-6001-0029#L15R03	CABLE, FIBRE OPT LOW ATTEN 15M	\$312
A66L-0001-0298#L200R3	CABLE 200M	\$1,721	A66L-6001-0029#L1R003	CABLE, FIBRE OPT LOW ATTEN 1M	\$212
A66L-0001-0367#L100R3	CABLE 100M	\$442	A66L-6001-0029#L20R03	CABLE, FIBRE OPT LOW ATTEN 20M	\$337
A66L-0001-0368#L50R03	CABLE	\$269	A66L-6001-0029#L2R003	CABLE, FIBRE OPT LOW ATTEN 2M	\$230
A66L-0001-0371#L15R03	CABLE	\$246	A66L-6001-0029#L30R03	CABLE, FIBRE OPT LOW ATTEN 30M	\$396
A66L-0001-0405#L100R3	CABLE 100M	\$647	A66L-6001-0029#L3R003	CABLE, FIBRE OPT LOW ATTEN 3M	\$235
A66L-0001-0462#L50R03	CABLE 50m F/PULSE CODER OF ALPHA i	\$688	A66L-6001-0029#L40R03	CABLE, FIBRE OPTIC LOW ATTEN 40M	\$508
A66L-2001-0895#34B	CABLE, SPINDLE ORIENT	\$17	A66L-6001-0029#L50R03	CABLE, FIBRE OPT LOW ATTEN 50M	\$542
A66L-2001-0895#34B0	CABLE, SPINDLE ORIENT	\$16	A66L-6001-0029#L5R003	CABLE, FIBRE OPT LOW ATTEN 5M	\$250
A66L-2001-0895#34B00	CABLE, SPINDLE ORIENT	\$16	A66L-6001-0029#L7R003	CABLE, FIBRE OPT LOW ATTEN 7M	\$262
A66L-2001-0895/50B0030	CABLE A66L-2001-0895#50B0030	\$66	A6-CJR-40	C-RING	\$1
A66L-2001-0925#50A1000	CABLE A66L-2001-0925#50A1000	\$31	A6-KKB1-4X16	SPACE BOLT	\$4
A66L-2001-0925#50A1200	CABLE A66L-2001-0925#50A1200	\$32	A6-WB-8S	WASHER	\$1
A66L-2001-0998#10A0270	CABLE A66L-2001-0998#10A0270	\$11	A70L-0001-0032	INPUT MODULE	\$74
A66L-2001-0998#50A0100	A66L-2001-0998/50A0100 CABLE	\$25	A70L-0001-0054	NOISE FILTER	\$329
A66L-2001-0998#50A0200	CABLE	\$25	A70L-0001-0064#10	NOISE FILTER	\$55
A66L-2003-0079	CABLE AC POWER CORD	\$8	A74L0001-0008#10D50	SUPPRESSOR	\$55
A66L-2003-0237#C	KEYBOARD CABLE CURL CORD	\$23	A74L-0001-0008#10D50	SURGE ABSORBER	\$6
A66L-2003-0367	CABLE	\$61	A74L0001-0008#20D50	SURGE ABSORBER	\$6
A66L-2003-0497#L14R03	CABLE PWR/MATE DPL/MDI 14M	\$133	A74L-0001-0008#20D50F	SURGE ABSORBER	\$6
A66L-2003-0497#L2R0	CABLE, DPL / MDI UNIT	\$77	A74L-0001-0008#20D50F	SURGE ABSORBER	\$10
A66L-2003-0497#L2R003	CABLE/DPL-MDI UNIT	\$66	A74L-0001-0038#3	DETECTOR	\$2,092

RENEWAL PARTS  
PRICING

D-89





# A74L-0001-0039

Part Number	Description	Price	Part Number	Description	Price
A74L-0001-0039	POWER SUPPLY	\$1,699	A76L-0500-0019	SDRAM, 128MB 144PIN	\$1,061
A74L-0001-0057#1	MITSUTOYO OPTICAL SCALE INTRFA	\$1,327	A76L-0500-0020	PANEL i MAIN MEMORY 128MB	\$253
A74L-0001-0057#2	MITSUTOYO OPTICAL SCALE INTRFA	\$1,327	A76L-0500-0021	PANEL i MAIN MEMORY 256MB	\$389
A74L-0001-0057#3	MITSUTOYO OPTICAL SCALE INTRFA	\$1,699	A76L-0500-0022	PANEL i MAIN MEMORY 512MB	\$647
A74L-0001-0063	DC/DC CONVERTER	\$35	A76L-0500-0025	SDRAM/256MB	\$1,043
A74L-0001-0069##A	SUPPRESSOR	\$25	A76L-1102-0001	IC (HD63484CP-8) LSI	\$75
A74L-0001-0091#A	LIGHTING SURGE ABSORBER	\$43	A76L-1102-0003	LSLRAM, HM6264ALFP-15	\$13
A74L-0001-0091#B	LIGHTING SURGE ABSORBER	\$40	A76L-1102-0005	SRAM, 81C79A-35PF	\$16
A74L-0001-0100	SURGE ABSORBER	\$55	A76L-1102-0016	GATE ARRAY	\$37
A74L-0001-0105	SURGE ABSORBER	\$59	A76L-1102-0169	F. ROM	\$16
A74L-0001-0106	SURGE ABSORBER	\$51	A76L-1108-0002	DSL GATE ARRAY	\$51
A74L-0001-0128#L	LIGHTNING SURGE ABSORBER	\$98	A76L-1108-0002#A	DSL GATE ARRAY	\$28
A76L-0001-0045	IC, TTL	\$2	A76L-1108-0027	DSI GATE ARRAY	\$47
A76L-0101-0053	IC MC34050	\$5	A76L-1118-0240	BICMOS OCTAL BUS BUFFER, SO	\$3
A76L-0101-0057	IC	\$1	A76L-1118-0373	BICMOS OCTAL D-TYPE LATCH, SO	\$3
A76L-0102-0018##AEH	LSI, MB8739AEH	\$378	A76L-1151-0023	75C188, QUAD LINE DRIVER	\$3
A76L-0102-0030	EPROM, 64K	\$28	A76L-1151-0024	75C189, QUAD LINE RECEIVER	\$3
A76L-0102-0034	RAM (HM6264P-15)	\$18	A-8014-0417	REN - VTL ADAPTER KIT FOR BALLBAR	\$201
A76L-0102-0035	EPROM	\$22	A-8014-0551	REN - Z AXIS ACCESSORY KIT	\$945
A76L-0102-0037	RAM, 64K	\$17	A-8014-0629	QC10 Serial Ballbar kit	\$8,015
A76L-0102-0038	RAM (6167LP)	\$21	A-8014-WSUG	REN - BALLBAR 5 HPS SOFTWARE UPGRAD	\$325
A76L-0102-0039	EPROM	\$28	A806-0326-T101	PULSE CODER 2KP ABS	\$1,288
A76L-0102-0044	EPROM (27256)	\$23	A806-0326-T102	PULSE CODER 2.5KP ABS	\$1,288
A76L-0102-0045	LSI (MB87103-P)	\$102	A806-0326-T103	PULSE CODER 3KP ABS	\$1,288
A76L-0102-0051#15	EPROM	\$19	A806-0356-T101	PULSE CODER SERIAL 10K PPR	\$883
A76L-0102-0054	EPROM (256K DRAM)	\$13	A80L-0001-0026	TRANSFORMER	\$601
A76L-0102-0055	DRAM (MB81464-12)	\$11	A80L-0001-0101	TRANSFORMER	\$293
A76L-0102-0057#20	RAM CHIP	\$30	A80L-0001-0126	TRANSFORMER 40S	\$4,753
A76L-0102-0064	256K RAM	\$27	A80L-0001-0127	TRANSFORMER 50S	\$16,393
A76L-0102-0066	64K RAM PARITY	\$24	A80L-0001-0128	TRANSFORMER 60S/70S	\$9,381
A76L-0102-0067	27512 EPROM	\$28	A80L-0001-0133#D	TRANSFORMER	\$1,589
A76L-0102-0087	I/C 87/1	\$15	A80L-0001-0176	MULTITAP TRANSFORMER	\$380
A76L-0102-0089	USE 44A723394-000	\$23	A80L-0001-0176#S	MULTI TAP TRANSFORMER	\$531
A76L-0102-0090	EPROM (UPD27C512D)	\$45	A80L-0001-0225	TRANSFORMER	\$504
A76L-0102-0092	EROM 1000K	\$18	A80L-0001-0262#B	TRANSFORMER	\$725
A76L-0102-0096	EPROM, HN58C65P	\$32	A80L-0001-0262#C	TRANSFORMER, MULTI-TAP 3KVA	\$786
A76L-0102-0099	2M ROM	\$39	A80L-0001-0270	TRANSFORMER	\$1,015
A76L-0102-0100	EROM	\$22	A80L-0001-0271	TRANSFORMER	\$1,316
A76L-0102-0105	EPROM 4MB	\$122	A80L-0001-0272	TRANSFORMER	\$1,107
A76L-0102-0112	EPROM (HN27C4096-85)	\$86	A80L-0001-0273	TRANSFORMER	\$1,578
A76L-0105-0087	EPROM	\$708	A80L-0001-0274	TRANSFORMER	\$1,324
A76L-0105-0087#1	LSI (8087-1)	\$12	A80L-0001-0275	TRANSFORMER	\$1,806
A76L-0106-0234	14234 GATE ARRAY	\$715	A80L-0001-0276	TRANSFORMER	\$139
A76L-0108-0103	LSI (MB651105C-G)	\$278	A80L-0001-0313	TRANSFORMER 15KVA	\$2,732
A76L-0108-0105	DSL GATE ARRAY	\$142	A80L-0001-0314	TRANSFORMER 30KVA	\$3,984
A76L-0108-0127	LSI (MB652147)	\$124	A80L-0001-0317	TRANSFORMER	\$630
A76L-0151-0045	POWER SUPPLY CONTROL	\$45	A80L-0001-0342	TRANS FOR MCC	\$248
A76L-0151-0062	IC DRIVER	\$4	A80L-0001-0352	TRANSFORMER 40KVA	\$6,626
A76L-0300-0006##A	HYBRID CIRCUIT	\$248	A80L-0001-0365	TRANSFORMER	\$1,242
A76L-0300-0048	A-RV05 HYBRID IC	\$16	A80L-0001-0366	TRANSFORMER	\$1,393
A76L-0300-0049	IC RECEIVER	\$16	A80L-0001-0367	TRANSFORMER	\$2,081
A76L-0300-0051	INTEGRATED CIRCUIT	\$83	A80L-0001-0413	TRANSFORMER	\$873
A76L-0300-0065	HYBRID CIRCUIT	\$23	A80L-0001-0414	PWR XFMR (115v TO 100v)	\$873
A76L-0300-0069	IC DRIVER	\$71	A80L-0001-0420	TRANSFORMER	\$2,432
A76L-0300-0073	HYBRID IC	\$42	A80L-0001-0421	TRANSFORMER MH	\$2,322
A76L-0300-0074	ISOLATION AMP	\$42	A80L-0001-0452	TRANSFORMER 64KVA	\$9,290
A76L-0300-0077	IC ISOLATION AMP	\$183	A80L-0001-0453	TRANSFORMER 1.5 KVA	\$906
A76L-0300-0083	IC DRIVER	\$71	A80L-0001-0454	TRANSFORMER 3.5 KVA	\$1,104
A76L-0300-0085	RV07 HYBRID IC	\$23	A80L-0001-0455	TRANSFORMER, ACE 5.0 KVA	\$1,350
A76L-0300-0086	IC RECEIVER	\$25	A80L-0001-0480	TRANSFORMER	\$783
A76L-0300-0087	IC RECEIVER	\$23	A80L-0001-0481	TRANSFORMER	\$1,532
A76L-0300-0088	IC RECEIVER	\$48	A80L-0001-0482	TRANSFORMER	\$754
A76L-0300-0090	HYBRID IC	\$41	A80L-0001-0483	TRANSFORMER	\$1,161
A76L-0300-0092	IC DRIVER	\$49	A80L-0001-0496	TRANSFORMER 7KVA	\$2,092
A76L-0300-0093	IC DRIVER	\$67	A80L-0001-0507	TRANSFORMER	\$70
A76L-0300-0114	AF32 HYBRID CIRCUIT	\$70	A80L-0010-0012	TRANSFORMER	\$296
A76L-0300-0133#B	ISOLATION AMP	\$89	A80L-0010-0030	TRANSFORMER	\$493
A76L-0300-0134	INTEGRATED CIRCUIT	\$18	A80L-0010-0041	TRANSFORMER	\$321
A76L-0300-0134##A	PS02 HYBRID CIRCUIT	\$12	A80L-0012-0016	TRANSFORMER	\$873
A76L-0300-0136	HYBRID IC	\$30	A80L-0012-0017	TRANSFORMER	\$794
A76L-0300-0148##A	HYBRID IC	\$33	A80L-0012-0020	TRANSFORMER	\$794
A76L-0300-0189##A	IC/ISOLATION AMP	\$45	A80L-0012-0026	TRANSFORMER	\$1,104
A76L-0300-0202	HYB.IC, PS12	\$44	A80L-0012-0027	TRANSFORMER, 1.2KVA	\$920
A76L-0301-0001	I/C	\$65	A80L-0012-0051	TRANSFORMER	\$756
A76L-0400-0003	DUPLEX FIBER OPTIC MODULE	\$74	A80L-0012-0053	TRANSFORMER	\$754
A76L-0500-0005	DRAM MODULE 4MB	\$612	A80L-0012-0066	TRANSFORMER	\$595
A76L-0500-0006	DRAM MODULE 8MB	\$1,173	A80L-0022-0005	TRANSFORMER TYPE SA 2.2KVA	\$615
A76L-0500-0007	DRAM MODULE	\$171	A80L-0022-0006	INPUT TRANSFORMER 3.5KVA	\$988
A76L-0500-0008	DRAM 8M for PC card B	\$608	A80L-0024-0006	TRANSFORMER TYPE SB 3.5KVA	\$847
A76L-0500-0013	DRAM MODULE 32MB	\$326	A80L-0026-0003	TRANSFORMER TYPE SC 5.0KVA	\$1,061
A76L-0500-0014	DRAM MODULE 64MB	\$817	A80L-0028-0001	TRANSFORMER TYPE SD 7.5KVA	\$1,152
A76L-0500-0016	64MB DRAM	\$817	A80L-0048-0001#NC	TRANSFORMER	\$3,272
A76L-0500-0017	DRAM MODULE 128MB	\$1,540	A81L-0001-0053	AC REACTOR	\$694
A76L-0500-0018	DRAM 64M 144PIN	\$699	A81L-0001-0063	AC REACTOR	\$298

RENEWAL PARTS  
PRICING

D-90



FANUC CNC Parts

Part Number	Description	Price	Part Number	Description	Price
A81L-0001-0075	AC REACTOR	\$378	A860-0314-T111	PULSE CODER EXT H-R 20000PPR	\$922
A81L-0001-0076	AC REACTOR	\$312	A860-0314-T112	PULSE CODER EXT H-R 25000PPR	\$922
A81L-0001-0077	AC REACTOR	\$246	A860-0314-T113	PULSE CODER EXT H-R 30000PPR	\$1,764
A81L-0001-0078	AC REACTOR	\$631	A860-0315-T101	PULSE CODER 2000P INC	\$469
A81L-0001-0079	AC REACTOR	\$788	A860-0315-T102	PULSE CODER 2500P INC	\$471
A81L-0001-0080	AC REACTOR	\$449	A860-0315-T103	PULSE CODER 3000P INC	\$474
A81L-0001-0083#3	REACTOR	\$215	A860-0316-T001	PULSE CODER 10K P INC	\$517
A81L-0001-0083#3C	AC LINE FILTER 5.4 KW	\$160	A860-0316-T101	PULSE CODER 10KP INC (17 PIN)	\$537
A81L-0001-0083#3C#CS	AC LINE FILTER 5.4KW CSA	\$140	A860-0316-T201	PULSE CODER 10K HR W 19 PIN	\$546
A81L-0001-0083#4	AC LINE FILTER 6I	\$194	A860-0319-T002	HI RES POSITION CODER	\$1,639
A81L-0001-0083#4C	LINE FILTER	\$171	A860-0324-T002	ABS PULCO	\$1,330
A81L-0001-0085	AC REACTOR	\$699	A860-0324-T003	ABS PULCO	\$1,330
A81L-0001-0096	AC REACTOR	\$314	A860-0324-T004	ENCODER-SEP MTG/ABS(4000)	\$1,330
A81L-0001-0098	AC REACTOR	\$494	A860-0324-T101	ENCODER-SEP MTG / ABS (2000)	\$922
A81L-0001-0099	REACTOR	\$385	A860-0324-T102	ENCODER-SEP MTG / ABS (2500)	\$922
A81L-0001-0101	AC LINE FILTER	\$209	A860-0324-T103	ENCODER-SEP MTG / ABS (3000)	\$922
A81L-0001-0101#C	AC LINE FILTER 10KW	\$209	A860-0324-T104	ENCODER-SEP MTG / ABS (4000)	\$922
A81L-0001-0102	AC LINE FILTER 23KW	\$979	A860-0325-T002	PULSE CODER	\$888
A81L-0001-0104	AC REACTOR,-6064-H106#H530	\$142	A860-0326-T001	PULSE CODER 2000P ABS	\$692
A81L-0001-0109	AC REACTOR	\$305	A860-0326-T002	PULSE CODER 2500P ABS	\$719
A81L-0001-0111	AC REACTOR	\$394	A860-0326-T003	PULSE CODER 3000P ABS	\$719
A81L-0001-0118	AC REACTOR	\$334	A860-0326-T011	PULSE CODER 2K ABS + S.C.	\$749
A81L-0001-0120	AC REACTOR PWR SUP MDL 26	\$271	A860-0326-T012	PULSE CODER 2.5K ABS + S.C.	\$749
A81L-0001-0120#C	PLASTIC COVER F/A81L-0001-0120,0124	\$9	A860-0326-T013	PULSE CODER 3K ABS	\$732
A81L-0001-0120#CS	AC REACTOR FOR PSM-26 CSA	\$296	A860-0326-T101	PULSE CODER 2000P ABS	\$719
A81L-0001-0121	AC REACTOR	\$697	A860-0326-T102	PULSE CODER 2500P ABS	\$724
A81L-0001-0122	AC REACTOR PWR SUP MDL 11	\$88	A860-0326-T103	PULSE CODER 3000P ABS	\$724
A81L-0001-0122#C	PLASTIC COVER F/A81L-0001-0122,0123	\$18	A860-0326-T111	PULSE CODER 2000P ABS & S.C.	\$732
A81L-0001-0122#CS	AC REACTOR FOR PSM-5,5,11 CSA	\$213	A860-0326-T112	PULSE CODER 2500P ABS & S.C.	\$758
A81L-0001-0123	AC REACTOR PWR SUP MDL 15	\$217	A860-0326-T113	PULSE CODER 3000P ABS & S.C.	\$736
A81L-0001-0123#CS	AC REACTOR FOR PSM-15 CSA	\$235	A860-0331-T001	POLE SENSOR	\$599
A81L-0001-0124	AC REACTOR PWR SUP MDL 30	\$275	A860-0331-T002	POLE SENSOR FOR D TYPE LN MTR	\$599
A81L-0001-0124#CS	AC REACTOR FOR PSM-30 CSA	\$301	A860-0333-T001	DETECTION CIRCUIT	\$633
A81L-0001-0127	AC REACTOR	\$651	A860-0333-T002	LM DETECTION CKT DUAL OUTPUT	\$633
A81L-0001-0128	TRANSFORMER 60S/70S	\$1,578	A860-0333-T201	LINEAR DETECTION CIRCUIT H	\$508
A81L-0001-0133	AC REACTOR FOR PSM-45	\$1,453	A860-0333-T501	HI RES SER OUTPUT CKT A/D 512	\$508
A81L-0001-0133#C	PLASTIC COVER F/A81L-0001-0133	\$156	A860-0333-T701	HIGH RESOLUTION SERIAL OUTPUT CIRCU	\$508
A81L-0001-0147	AC REACTOR FOR PSM-37	\$760	A860-0345-T001	ENCODER ASSEMBLY	\$3,552
A81L-0001-0147#C	PLASTIC COVER F/A81L-0001-0147	\$88	A860-0346-T011	P.C.,SER-A(17PIN-ALPHA)+S.C.	\$954
A81L-0001-0150	AC REACTOR UNDER 55KW CONT	\$3,005	A860-0346-T041	PULSE CODER SERIAL	\$1,027
A81L-0001-0150#C	PLASTIC COVER F/A81L-0001-0150	\$117	A860-0346-T111	PULSE CODER ABS SERIAL+SC 1M	\$965
A81L-0001-0155	AC REACTOR (PSM-5.5I, PSM-11I)	\$188	A860-0346-T141	PULSE CODER ABS SERIAL	\$945
A81L-0001-0156	AC REACTOR (PSM-15I)	\$217	A860-0346-T241	ENCODER 1MM COUNT FOR A3-A40	\$970
A81L-0001-0157	AC REACTOR (PSM-26I)	\$271	A860-0346-T241#E	PC SERIAL A,A3-40,C,M EMC	\$902
A81L-0001-0158	AC REACTOR (PSM-30I)	\$275	A860-0347-T001	PULSE CODER,ABS,SERIALXXX	\$1,025
A81L-0001-0159	AC REACTOR (PSM-37I)	\$760	A860-0347-T021	PULSE CODER,ABS,SERIALXXX	\$1,059
A81L-0001-0160	AC REACTOR (PSM-55I)	\$1,453	A860-0347-V904	END COVER W/CONNECTOR F/AE6	\$71
A81L-0001-0163	AC REACTOR PSM 11HVI, 18HVI	\$632	A860-0356-T001	PULSE CODER SERIAL 10K P/R	\$546
A81L-0001-0163#C	COVER	\$9	A860-0356-T101	PULSE CODER SERIAL C	\$558
A81L-0001-0164	AC REACTOR PSM 30HVI, 45HVI	\$651	A860-0360-T001	PULSE CODER 64KABS	\$690
A81L-0001-0164#C	AC REACTOR COVER	\$20	A860-0360-T011	PULSE CODER A64+SC FOR A1/A2	\$742
A81L-0001-0165	AC REACTOR PSM 75HVI, 100HVI	\$1,453	A860-0360-T021	PULSE CODER 64KABS IP67	\$1,421
A81L-0001-0165#C	AC REACTOR COVER	\$25	A860-0360-T061	PULSE CODER,A60	\$742
A860-0056-T020	TAPE READER	\$8,606	A860-0360-T101	PULSE CODER ALPHA A64	\$742
A860-0066-T001	PPR TAPE READER 100VAC	\$726	A860-0360-T211	PULSE CODER ALPHA A64 + SC	\$742
A860-0066-T002	PPR TAPE READER 200VAC	\$724	A860-0360-V501	PULSE CODER (ABS) W/O CABLE	\$560
A860-0103-T001#MAR-2	KEYBOARD	\$387	A860-0360-V511	PULSE CODER ALPHA A64 + SC	\$574
A860-0103-T001#TAR-2	KEYBOARD FOR 9.5" LCD (HORIZ)	\$403	A860-0360-V906	CABLE ASSY	\$37
A860-0103-T001#TAR-3	KEYBOARD FOR 9.5" LCD (VERT)	\$403	A860-0364-T001	PULSE CODER ALPHA A8	\$742
A860-0201-V001	PULSE GENERATOR HANDLE	\$305	A860-0364-V901	COVER+CONN+CABLE	\$78
A860-0202-T020	MPG, BLACK PENDANT SW XYZ456	\$477	A860-0364-X001	SLIT,REVOLUTION	\$16
A860-0203-T001	MANUAL PULSE GENERATOR	\$132	A860-0365-T001	P/CODER 64KINC W/O COVER A1-2	\$590
A860-0203-T010	PORTABLE MPG XZ W/LED	\$285	A860-0365-T101	PULSE CODER ALPHA 64KINC W/O COV A	\$590
A860-0203-T011	PORTABLE MPG XZC W/LED	\$285	A860-0365-V501	PULSE CODER (INC) W/O CABLE	\$508
A860-0203-T012	PORTABLE MPG XYZ W/LED	\$285	A860-0369-T001	PULSE CODER ALPHA I8	\$590
A860-0203-T013	PORTABLE MPG XYZ4 W/LED	\$285	A860-0370-T002	PULSE CODER 1MM ALPHA 1,1.5,2	\$726
A860-0203-T014	PORTABLE MPG XYZ45 W/LED	\$285	A860-0370-T012	PULSE CODER 1 Million Ct + SC	\$738
A860-0203-T015	PORTABLE MPG XYZ456 W/LED	\$285	A860-0370-T201#0021	PULSE CODER 1MM ALPHA (HIGH ACCURACY)	\$690
A860-0301-T001	PULSE CODER (2000P) SEPARATE	\$1,248	A860-0370-V502	PULSE CODER 1MM ALPHA	\$576
A860-0301-T002	PULSE CODER (2500P) SEPARATE	\$1,248	A860-0370-V512	PULSE CODER 1M+SC	\$651
A860-0301-T003	PULSE CODER (3000P) SEPARATE	\$1,077	A860-0372-T001	ENC, SERIAL 1MM ABS SEPARATE	\$808
A860-0301-T004	PULSE CODER (4000P)	\$615	A860-0374-V303	PULSE CODER( BETA )	\$321
A860-0303-T001	PULSE CODER	\$1,161	A860-0374-V903	COVER FOR BETA MOTOR	\$27
A860-0303-T002	PULSE CODER 2500 RPM DC MOTOR	\$1,339	A860-0374-V906	COVER FOR BETA PULSE CODER	\$33
A860-0303-T003	PULSE CODER / DC SERVO 3K	\$1,207	A860-0379-V001	PCB, BETA PULSE CODER	\$363
A860-0304-T011	PULSE CODER	\$1,393	A860-0380-T221	CS CONTROL DETECTOR	\$3,868
A860-0304-T013	PULSE CODER	\$1,264	A860-0380-T223	USE A860-0381-T123 WHEN OUT	\$4,178
A860-0304-T121	PULSE CODER	\$1,302	A860-0380-T351	SENSOR	\$3,095
A860-0309-T302	SPL PULCO 68MM FLANGE 10K RPM	\$483	A860-0381-T121	65MM ENCODER	\$3,643
A860-0309-T352	POSN ENC ALPHA SPDL 68MM FLANGE	\$508	A860-0381-T123	DETECTOR 130MM	\$3,825
A860-0309-V502	END CAP FOR A860-0309-T302	\$66	A860-0381-T124	MAGNETIC DETECTOR (360K PPR)	\$4,007
A860-0310-T015	ENCODER	\$1,413	A860-0381-T141	SP SENSOR 65MM BUILT IN MTR	\$4,167
A860-0310-T021	PULSE CODER INT 2000P/REV	\$914	A860-0381-T142	SP SENSOR	\$4,576
A860-0310-T023	PULSE CODER INT 3000P P/REV	\$374	A860-0381-T143	SP SENSOR 130MM BUILT IN MTR	\$5,692

# A860-0381-T144

Part Number	Description	Price	Part Number	Description	Price
A860-0381-T144	SP SENSOR 195MM BUILT IN MTR	\$6,147	A86L-0001-0095	PPR PRINTER	\$232
A860-0381-T191	MAG PULSE CODER 195MM	\$6,145	A86L-0001-0095#002	PPR PRINTER HEAD	\$127
A860-0381-T192	SENSOR	\$8,466	A86L-0001-0101	A1 X-Y PLOTTER	\$20,196
A860-0381-T193	SENSOR	\$5,836	A86L-0001-0101#001	PEN FOR A1 PLOTTER	\$319
A860-0381-T194	SENSOR	\$6,212	A86L-0001-0103	EXT PRINTER	\$1,965
A860-0381-T196	C AXIS CONTROL DETECTOR	\$8,621	A86L-0001-0103#001	RIBBON FOR EXTERNAL PRINTER	\$34
A860-0381-T231	MAG PULSE CODER 65MM	\$2,299	A86L-0001-0110	PCB KEYBOARD	\$321
A860-0381-T233	MAG PULSE CODER 130MM	\$2,542	A86L-0001-0111	P.C.B.(KEY BOARD)	\$232
A860-0381-T251	PULSE CODER	\$3,161	A86L-0001-0125	KEY BOARD (OT/OM)	\$175
A860-0381-T261	SENSOR	\$4,023	A86L-0001-0126	KEY BOARD (OM/OP PANEL)	\$410
A860-0382-T121	HI-RES MAG PULCO W/ DRUM 1	\$3,643	A86L-0001-0127	KEY BOARD (OT/OP PANEL)	\$417
A860-0382-T122	HI-RES MAG PULCO W/ DRUM 2	\$3,825	A86L-0001-0130	KEY BOARD	\$496
A860-0382-T123	HI-RES MAG PULCO W/ DRUM 3	\$3,825	A86L-0001-0131	A3 X-Y PLOTTER	\$4,121
A860-0382-T124	HI-RES MAG PULCO W/ DRUM 4	\$4,007	A86L-0001-0131#001	PEN FOR A3 PLOTTER	\$326
A860-0382-T141	SP DETECTOR BUILT IN 65/50	\$4,030	A86L-0001-0136	KEYBOARD	\$396
A860-0382-T142	SP DETECTOR BUILT IN 97.55/70	\$3,825	A86L-0001-0138	KEY BOARD	\$544
A860-0382-T143	SP DETECTOR BUILT IN 130/105	\$3,825	A86L-0001-0139	KEYBOARD UNIT	\$712
A860-0382-T144	SP DETECTOR BUILT IN 195/160	\$4,417	A86L-0001-0139#3M	KEYBOARD, FULL, L-3M	\$704
A860-0382-T171	SENSOR ASSEMBLY	\$3,559	A86L-0001-0140	KEYBOARD ONLY PCB	\$439
A860-0382-T195	SPDL DETECTOR 97.5 MM (MURATA)	\$4,253	A86L-0001-0141	KEY BOARD	\$986
A860-0382-T196	PULSE CODER HI RES	\$8,378	A86L-0001-0149	KEYBOARD	\$578
A860-0382-T231	SPDL DETECTOR 65 MM (MAKINO)	\$4,023	A86L-0001-0150#A	KEYBOARD PCB	\$558
A860-0382-T233	SPDL DETECTOR 130 MM (MAKINO)	\$2,689	A86L-0001-0150#B	KEYBOARD	\$402
A860-0382-T251	HI-RES MAGNETIC DETECTOR	\$4,144	A86L-0001-0150#C	KEYBOARD	\$396
A860-0382-T255	C-AXIS SENSOR	\$2,918	A86L-0001-0150#D	KEYBOARD	\$402
A860-0382-T261	CS SENSOR	\$3,893	A86L-0001-0151	KEY BOARD (OT/OP PANEL)	\$592
A860-0382-T262	CS SENSOR	\$3,848	A86L-0001-0152	KEYBOARD	\$551
A860-0382-T392	SPDL DETECTOR SPECIAL 195MM	\$4,189	A86L-0001-0153	XY PLOTTER A3	\$3,415
A860-0382-T394	CS SENSOR	\$5,988	A86L-0001-0153#001	PEN FOR A3 PLOTTER	\$234
A860-0382-T395	CS SENSOR	\$7,195	A86L-0001-0154#A	KEYBOARD, 14" CRT HORZ	\$312
A860-0382-V101	SENSOR F/HI RES MAG P.C.	\$2,365	A86L-0001-0154#B	KEYBOARD, 14" CRT HORZ	\$326
A860-0382-V104	MAGNETIC SENSER	\$1,817	A86L-0001-0154#C	KEYBOARD, 14" CRT VERT	\$435
A860-0382-V201	SPINDLE PRE-AMP	\$1,029	A86L-0001-0154#D	KEYBOARD, 14" CRT VERT	\$474
A860-0390-T002	DETECTOR	\$1,324	A86L-0001-0155	KEYBOARD, 9" CRT	\$312
A860-0390-T004	SENSOR STANDARD	\$1,207	A86L-0001-0157	KEYBOARD, 9" CRT	\$321
A860-0390-T151	SENSOR, DRIP PROOF	\$913	A86L-0001-0159	A1 X-Y PLOTTER	\$20,196
A860-0390-T152	SENSOR, DRIP PROOF	\$913	A86L-0001-0160#1102	A1 XY PLOTTER ( PH )	\$20,391
A860-0390-X001	GEAR	\$54	A86L-0001-0162	KEYBOARD	\$439
A860-0390-X008	GEAR RING	\$294	A86L-0001-0171#SM2	KEYBOARD	\$319
A860-0390-X011	SENSOR RING FOR BUILT-IN SPINDLE MOTOR	\$67	A86L-0001-0171#SM2R	KEY BOARD	\$171
A860-0390-X019	RING	\$146	A86L-0001-0171#SM2S	KEY BOARD	\$129
A860-0392-T001	BUILT-IN SENSOR	\$1,375	A86L-0001-0171#ST2	KEYBOARD	\$296
A860-0392-T002	SENSOR BUILT IN	\$1,034	A86L-0001-0171#ST2R	KEY BOARD	\$171
A860-0392-T004	SENSOR BUILT IN	\$957	A86L-0001-0171#ST2S	KEYBOARD	\$171
A860-0392-T005	SENSOR BUILT IN	\$1,004	A86L-0001-0172#HM2	KEY BOARD	\$419
A860-0392-T011	BUILT-IN SENSOR W/ RING 1	\$922	A86L-0001-0172#HM2R	KEYBOARD	\$275
A860-0392-T012	BUILT-IN SENSOR W/ RING 2	\$922	A86L-0001-0172#HM2S	KEYBOARD	\$275
A860-0392-T013	BUILT-IN SENSOR W/ RING 3	\$1,840	A86L-0001-0172#HT2	KEY BOARD	\$433
A860-0392-T014	BUILT-IN SENSOR W/ RING 4	\$922	A86L-0001-0172#HT2R	KEYBOARD	\$275
A860-0392-T015	DETECTOR	\$895	A86L-0001-0172#HT2S	KEYBOARD	\$282
A860-0392-T018	BUILT-IN SENSOR W/ RING 5	\$1,689	A86L-0001-0173#AM4	KEY BOARD	\$274
A860-0392-T020	BLT IN SENSOR	\$674	A86L-0001-0173#HF1	KEYBOARD	\$382
A860-0392-T081	BUILT-IN SENSOR W/ RING 6	\$1,699	A86L-0001-0173#HF1R	KEY BOARD	\$285
A860-0392-T082	BUILT-IN SENSOR W/ RING 7	\$2,113	A86L-0001-0173#HF1S	KEY BOARD	\$285
A860-0392-T084	BUILT IN SENSOR	\$4,007	A86L-0001-0173#HM2	KEYBOARD	\$382
A860-0392-V101	SENSOR	\$754	A86L-0001-0173#HM2R	KEY BOARD	\$285
A860-0392-V130	SENSOR	\$858	A86L-0001-0173#HM2S	KEY BOARD	\$285
A860-0392-V160	SENSOR ASM.	\$806	A86L-0001-0173#HT2	KEYBOARD	\$394
A860-0392-V161	SENSOR ASM	\$1,006	A86L-0001-0173#HT2R	KEY BOARD	\$285
A860-0392-V162	SENSOR, BUILT IN	\$981	A86L-0001-0173#HT2S	KEY BOARD	\$285
A860-0392-V166	BUILT IN SENSOR	\$872	A86L-0001-0174#HF1	KEYBOARD	\$394
A860-0392-V167	SENSOR	\$1,924	A86L-0001-0174#HF1R	KEY BOARD	\$276
A860-0392-V171	SENSOR, BUILT-IN	\$656	A86L-0001-0174#HF1S	KEY BOARD	\$285
A860-0392-V901	SENSOR PART	\$476	A86L-0001-0174#HM2	KEYBOARD	\$394
A860-0856-T551	FAN KIT AIR TO FRONT A12--22	\$107	A86L-0001-0174#HM2R	KEY BOARD	\$285
A860-2000-T301	PULSE CODER, alpha A 1000i	\$467	A86L-0001-0174#HM2S	KEYBOARD	\$285
A860-2000-T321	PULSE CODER, A1000i F/IP67	\$762	A86L-0001-0174#HT2	KEYBOARD	\$433
A860-2001-T301	PULSE CODER, alpha A 16000i	\$517	A86L-0001-0174#HT2R	KEY BOARD	\$282
A860-2001-T321	PULSE CODER A16000i F/IP67	\$594	A86L-0001-0174#HT2S	KEY BOARD	\$285
A860-2005-T301	PULSE CODER, alpha I 1000i	\$419	A86L-0001-0174#HW1S	KEYBOARD	\$276
A860-2005-T321	PULSE CODER I1000i F/IP67	\$699	A86L-0001-0175#VF1	KEYBOARD	\$559
A860-2014-T301	A641 PULSE CODER	\$444	A86L-0001-0175#VF1R	KEY BOARD	\$215
A860-2020-T301	ENCODER	\$307	A86L-0001-0175#VF1S	KEY BOARD	\$285
A860-2100-V001	PULSE GENERATOR, Mi ALPHA 1 & UP	\$164	A86L-0001-0175#VM2	KEY BOARD	\$394
A860-2110-V001	BUILT-IN SENSOR MZi ALPHA 1 & UP	\$271	A86L-0001-0175#VM2R	KEY BOARD	\$285
A860-2110-X011	ABZ PHASE LINK	\$28	A86L-0001-0175#VM2S	KEY BOARD	\$285
A860-2110-X021	RING/GEAR F/Ai SPINDLE MOTORS MZi SENSOR	\$50	A86L-0001-0175#VT2	KEY BOARD	\$382
A860-2120-T051	BZi SENSOR	\$674	A86L-0001-0175#VT2R	KEY BOARD	\$276
A860-2120-T401	BZi SPINDLE FEEDBACK SENSOR 256	\$1,038	A86L-0001-0175#VT2S	KEY BOARD	\$276
A860-2120-T511	BZi SPINDLE FEEDBACK SENSOR 384	\$1,585	A86L-0001-0179	KEYBOARD	\$1,177
A860-2120-T512	BZi SENSOR	\$1,639	A86L-0001-0186	KEY BOARD	\$305
A860-2120-T611	BZi SPINDLE FEEDBACK SENSOR 512	\$2,152	A86L-0001-0187	KEYBOARD	\$235
A86L-0001-0061#1	PPR PUNCHER	\$1,012	A86L-0001-0194#02A	KEYBOARD	\$296
A86L-0001-0065#001	PPR PUNCH BLOCK	\$531	A86L-0001-0194#02AR	KEYBOARD	\$296

RENEWAL PARTS  
PRICING

D-92



FANUC CNC Parts

Part Number	Description	Price	Part Number	Description	Price
A86L-0001-0194#02AS	KEY BOARD	\$296	A87L-0001-0027	FLOPPY DISK DRIVE	\$645
A86L-0001-0194#02C	KEY BOARD	\$296	A87L-0001-0028	FLOPPY DISK DRIVE	\$699
A86L-0001-0194#02CR	KEY BOARD	\$287	A87L-0001-0029#001	FLOPPY DISC UNIT, OL	\$754
A86L-0001-0194#04B	KEY BOARD	\$287	A87L-0001-0034#1	FLOPPY DISC (8") PACK OF 10	\$215
A86L-0001-0194#04BR	KEY BOARD	\$296	A87L-0001-0035	FLOPPY DISK	\$153
A86L-0001-0195#02A	KEYBOARD	\$408	A87L-0001-0038	CASSETTE F1	\$178
A86L-0001-0195#02AR	KEY BOARD	\$296	A87L-0001-0039	3.5" FLOPPY DISK CASSETTE QTY. 10	\$70
A86L-0001-0195#08BR	KEY BOARD	\$296	A87L-0001-0039#1	3.5" FLOPPY DISK CASSETTE	\$6
A86L-0001-0196#02	KEYBOARD	\$232	A87L-0001-003B	FANUC CASSETTE F1	\$136
A86L-0001-0197#02A	KEYBOARD	\$287	A87L-0001-0060#160	CASSETTE B2	\$3,064
A86L-0001-0197#02AR	KEYBOARD	\$296	A87L-0001-0060#160A	FANUC CASSETTE B2	\$3,880
A86L-0001-0197#02C	KEY BOARD	\$296	A87L-0001-0060#80	CASSETTE B1	\$1,795
A86L-0001-0197#03B	KEY BOARD	\$296	A87L-0001-0060#80A	FANUC CASSETTE B1	\$2,275
A86L-0001-0210	FULL KEY BOARD (ENGLISH)	\$449	A87L-0001-0083#BL	PAPER TAPE (BLACK)	\$11
A86L-0001-0211	KEYBOARD (JAPANESE) 106 KEYS	\$303	A87L-0001-0100#12M	PCB, BUBBLE (3840M)	\$30,715
A86L-0001-0212	MOUSE	\$188	A87L-0001-0105	PCB, BUBBLE MEMORY 80M	\$1,913
A86L-0001-0216	KEY BOARD	\$123	A87L-0001-0121	FLOPPY DISK UNIT	\$344
A86L-0001-0217	KEY SHEET F/KEY BOARD	\$173	A87L-0001-0122	HARD DISC UNIT	\$3,051
A86L-0001-0231	KEY BOARD	\$151	A87L-0001-0126	HARD DISC UNIT	\$13,069
A86L-0001-0233	Keyboard	\$653	A87L-0001-0129	HARD DISC UNIT	\$2,459
A86L-0001-0235	KEY BOARD	\$80	A87L-0001-0130#105S	HARD DISK UNIT	\$2,550
A86L-0001-0236	KEYBOARD	\$129	A87L-0001-0131	FDD P-H	\$198
A86L-0001-0237	KEY BOARD	\$241	A87L-0001-0133#1024	FLASH MEMORY CARD 1 MEG	\$628
A86L-0001-0241	KEYBOARD	\$856	A87L-0001-0133#256	PCMCIA FLASH MEMORY CARD 256KB	\$246
A86L-0001-0242	KEYBOARD	\$153	A87L-0001-0135	HARD DISK MMC-III	\$2,550
A86L-0001-0242#A	KEY BOARD, HORZ FULLKEY 220X230	\$204	A87L-0001-0150#1M	SRAM CD (PCMCIA STD)	\$612
A86L-0001-0246	KEY BOARD	\$469	A87L-0001-0150#256K	PCMCIA CARD SRAM 256KB	\$282
A86L-0001-0251#MAR	KEY BOARD,MDI (Small) English	\$172	A87L-0001-0150#512K	PCMCIA CARD SRAM 512KB	\$409
A86L-0001-0251#MAS	KEYBOARD	\$147	A87L-0001-0169#3200M	PCB, MEMORY	\$740
A86L-0001-0251#TAR	KEY BOARDMDI (Small) English	\$171	A87L-0001-0173#015MB	FLASH CARD	\$408
A86L-0001-0251#TAS	KEYBOARD	\$147	A87L-0001-0173#064MB	FS300is Compact flash card B (64MB)	\$414
A86L-0001-0252#MBR	KEY BOARD,MDI (Standard) English	\$246	A87L-0001-0173#128MB	FS300is Compact flash card C (128MB)	\$291
A86L-0001-0252#MBS	KEYBOARD	\$210	A87L-0001-0174	HDD	\$115
A86L-0001-0252#MCR	KEYBOARD	\$246	A87L-0001-0174#B	FDD	\$115
A86L-0001-0252#TBR	KEY BOARDMDI (Standard) English	\$246	A87L-0001-0176#160	HDD	\$1,721
A86L-0001-0252#TBS	KEYBOARD	\$210	A87L-0001-0180	PCMCIA FLASH MEMORY CARD 4MB	\$178
A86L-0001-0252#TFBR	KEYBOARD	\$246	A87L-0001-0181	CD-ROM DRIVE FOR PANEL i	\$230
A86L-0001-0253#EC	Key board,FA full (English)	\$475	A87L-0001-0183	FDD FOR PANEL i	\$84
A86L-0001-0253#ECA	KEY SHEET	\$428	A87L-0001-0186#40G	HDD 3.5" 40G	\$206
A86L-0001-0253#ECPA	KEYBOARD 10.4" LCD ENG	\$490	A87L-0027-0001#002	POSITION CODER B	\$1,274
A86L-0001-0253#ECPB	KEYBOARD	\$542	A90L-0001-0043	FAN MOTOR	\$80
A86L-0001-0257#A	TOUCH PANEL	\$230	A90L-0001-0045	RESOLVER	\$1,047
A86L-0001-0258#M	KEY BOARD,MORISEIKI	\$346	A90L-0001-0049#T	FAN, UL/CSA	\$104
A86L-0001-0258#T	KEY BOARD,MORISEIKI	\$346	A90L-0001-0049#VR	FAN	\$107
A86L-0001-0261	Soft key for 10.4" LCD	\$57	A90L-0001-0096	FAN MOTOR	\$56
A86L-0001-0261#A	KEYBOARD	\$57	A90L-0001-0096#A	FAN	\$76
A86L-0001-0270#01AR	MDI (61 Key) English key	\$401	A90L-0001-0096#C	FAN	\$76
A86L-0001-0270#01AS	KEYBOARD	\$401	A90L-0001-0097#B	FAN MOTOR,7906G	\$172
A86L-0001-0271	TOUCH PANEL, PANEL i BASE UNIT 12.1"	\$285	A90L-0001-0100#A	FAN MOTOR	\$87
A86L-0001-0277	KEY BOARD OPER PANEL i	\$838	A90L-0001-0114	FAN MOTOR	\$110
A86L-0001-0277#E	KEYBOARD	\$612	A90L-0001-0117	FAN	\$132
A86L-0001-0278	MAIN KEYPAD SERIES i	\$735	A90L-0001-0131	FAN	\$239
A86L-0001-0278#E	KEY SHEET	\$442	A90L-0001-0161	PPR FAN 100VAC	\$66
A86L-0001-0281	KEY SHEET	\$346	A90L-0001-0161#200A	PPR FAN 200VAC	\$76
A86L-0001-0282#MBR	MDI ENG/SMALLKEY HORZ 200X140	\$232	A90L-0001-0168#R	FAN MOTOR	\$230
A86L-0001-0282#TBR	KEYSHEET, ENG/SMALLKEY HORZ 200X140	\$232	A90L-0001-0169#F	FAN	\$196
A86L-0001-0283#TBR	KEYBOARD, MDI ENG/STD KEY	\$246	A90L-0001-0169#R	FAN MOTOR	\$239
A86L-0001-0284#MBR	KEYBOARD, TEXT MDI 10.4" LCD HORZ	\$246	A90L-0001-0191	FAN MOTOR	\$65
A86L-0001-0284#TBR	KEYBOARD	\$246	A90L-0001-0197#001	BRUSH F/ T.R.	\$4
A86L-0001-0284#TBS	MDI SYM/STD KEY HORZ 220X230	\$246	A90L-0001-0209#F	FAN MOTOR	\$209
A86L-0001-0285#MBR	MDI ENG/STD KEY VERT 220X290	\$248	A90L-0001-0209#R	FAN	\$342
A86L-0001-0285#TBR	MDI ENG/STD KEY VERT 220X290	\$248	A90L-0001-0213#A	USE A90L-0001-0396 WHEN OUT	\$84
A86L-0001-0289#A	SOFT KEY	\$33	A90L-0001-0219#A	FAN	\$55
A86L-0001-0290	SOFT KEYBOARD	\$33	A90L-0001-0235#R	FAN MOTOR	\$201
A86L-0001-0290#A	SOFT KEY F/10.4" LCD	\$45	A90L-0001-0280#A	FAN	\$46
A86L-0001-0291	KEY BOARD	\$54	A90L-0001-0280#B	FAN	\$48
A86L-0001-0312	SOFT KEY BOARD F/PANEL i 15" TOUCH	\$53	A90L-0001-0283#A	FAN	\$47
A86L-0001-0315	KEYBOARD FOR PANEL i 15" TOUCH	\$546	A90L-0001-0284#F	FAN MOTOR,2S 3S	\$96
A86L-0001-0319	TOUCH PANEL F/PANEL i 15"	\$253	A90L-0001-0284#R	FAN	\$106
A86L-0001-0321	KEYBOARD, MACHINE OPER PNL S30i	\$537	A90L-0001-0315#F	FAN, 40S SPINDLE MOTOR	\$200
A86L-0027-0001#001	POSITION CODER D	\$1,143	A90L-0001-0316#F	FAN MOTOR,6S 8S	\$136
A86L-0027-0001#003	POSITION CODER F	\$1,143	A90L-0001-0316#R	FAN	\$190
A86L-0027-0001#10	POSITION CODER A	\$811	A90L-0001-0317#F	1FAN MOTOR, 12S-22S	\$143
A86L-0027-0001#101	POSITION CODER 4000 RPM	\$836	A90L-0001-0317#R	1FAN MOTOR, 12S-22S	\$191
A86L-0027-0001#103	POSITION CODER E	\$836	A90L-0001-0318#F	FAN	\$289
A86L-0027-0001#201	POSITION CODER G	\$1,143	A90L-0001-0318#FW	FAN ai P30/P40/P50 SPNDL MTR	\$250
A86L-0027-0001#203	POSITION CODER H	\$1,143	A90L-0001-0318#R	FAN	\$262
A87B-0001-0108#160	FA CARD 160M	\$208	A90L-0001-0318#RW	FAN ai SPNDL MTR	\$250
A87B-0001-0108#20	FA CARD 20M TAPE MEMORY	\$58	A90L-0001-0319#F	FAN	\$323
A87B-0001-0108#80	FA CARD 80M TAPE MEMORY	\$141	A90L-0001-0319#R	FAN	\$40
A87B-0001-0133#256	FLASH MEMORY CARD 256KB	\$348	A90L-0001-0331	FAN	\$55
A87L-0001-0015	PCB (20M)	\$2,104	A90L-0001-0335	FAN MOTOR	\$53
A87L-0001-0025	FLOPPY DRIVE F/A08B-0031-B001	\$2,092	A90L-0001-0335#A	FAN	\$59
A87L-0001-0026#001	FLOPPY DRIVE F/A08B-0033-B001	\$792	A90L-0001-0335#B	FAN	\$59



# A90L-0001-0335#D

Part Number	Description	Price	Part Number	Description	Price
A90L-0001-0335#D	FAN	\$42	A90L-0001-0523#R	FAN Ai SPINDL (A1i-A1.5i)	\$101
A90L-0001-0338#A	FAN MOTOR	\$30	A91L-0001-0022#F	TACHOMETER	\$123
A90L-0001-0343#F	1FAN MOTOR, 1S 1.5S	\$109	A91L-0001-0022#K1	METER	\$118
A90L-0001-0348#A	FAN	\$26	A91L-0001-0022#K2	LOAD METER	\$124
A90L-0001-0349	LASER SHUTTER FAN	\$42	A91L-0001-0022#U	LOAD METER	\$97
A90L-0001-0350	LASER ROOTS BLOWER	\$39,837	A91L-0001-0024#B	HOUR METER	\$88
A90L-0001-0350#B	LASER ROOTS BLOWER	\$36,220	A91L-0001-0048#I	METER	\$102
A90L-0001-0352	LASER ROOTS BLOWER	\$36,862	A91L-0001-0061#J	METER	\$153
A90L-0001-0352#B	LASER ROOTS BLOWER	\$56,501	A91L-0001-0072#A	VOLT METER	\$110
A90L-0001-0353	LASER VANE PUMP	\$5,106	A91L-0001-0086#TH14	HOUR METER	\$112
A90L-0001-0354	LASER ROTARY SOLENOID	\$241	A91L-0001-0086#TH142	LASER HOUR METER	\$78
A90L-0001-0360	FAN FOR BUILT-IN MOTOR	\$72	A91L-0001-0086#TH24	HOUR METER	\$148
A90L-0001-0360#A	FAN	\$83	A91L-0001-0086#TH40	HOUR METER	\$246
A90L-0001-0360#B	FAN	\$80	A91L-0001-0120#A	SPEED METER	\$363
A90L-0001-0365	FAN	\$25	A91L-0001-0120#B	SPEED METER	\$373
A90L-0001-0371	FAN FOR BUILT-IN MOTOR	\$74	A91L-0001-0120#C	SPEED METER	\$363
A90L-0001-0377	LASER INVERTER	\$2,089	A91L-0001-0151#B	LASER FLOW SWITCH,DFS-120	\$899
A90L-0001-0378	FAN - NMB3610ML-05W-B49	\$20	A91L-0001-0201	PRESSURE SENSOR	\$2,732
A90L-0001-0380#H110	FAN W/CONNECTOR	\$21	A91L-0001-0202	HOUR METER	\$42
A90L-0001-0380#H300	FAN W/CONNECTOR	\$21	A92L-0001-0005#31H	BUZZER, EA4031H	\$36
A90L-0001-0382#C	INVERTER	\$4,576	A95L-0001-0081	500MB HDD FOR INGERSOLL	\$260
A90L-0001-0384	WATER COOLED VACUUM PUMP	\$4,465	A970-0131-T001	LOCK	\$8
A90L-0001-0385	FAN PWRMT-D,C	\$21	A970-0131-T002	KEY, F/CONTROL DOOR (F131)	\$3
A90L-0001-0385#A	FAN	\$28	A97L0001-0195#07Z00M	BEARING	\$15
A90L-0001-0385#B	FAN	\$20	A97L-0001-0399#BW10	WAVE WASHER	\$1
A90L-0001-0385#C	FAN	\$19	A97L-0071-0001	FINGER GUARD	\$8
A90L-0001-0385#T	FAN	\$28	A97L-0071-0002	FINGER GUARD	\$5
A90L-0001-0396	FAN	\$98	A97L-0071-0004	FINGER GUARD	\$7
A90L-0001-0396-L	FAN F/LASER	\$74	A97L-0071-0005	FINGER GUARD	\$5
A90L-0001-0399#FL	FAN	\$273	A97L-0200-0149#06206C	BEARING	\$243
A90L-0001-0399#FLL	FAN	\$275	A97L-0200-0149#06208A	BEARING	\$172
A90L-0001-0399#FW	FAN	\$266	A97L-0200-0149#06208E	BEARING	\$115
A90L-0001-0400#F	FAN F/60HV SPMTR	\$314	A97L-0200-0149#06212B	BEARING	\$53
A90L-0001-0400#R	FAN MOTOR (60HV)	\$323	A97L-0200-0149#06308A	BEARING	\$43
A90L-0001-0422	FAN	\$18	A97L-0200-0149#63205B	BALL BEARING	\$3
A90L-0001-0423#105	FAN MOTOR	\$18	A97L-0200-0149#636208A	BEARING	\$249
A90L-0001-0423#105S	FAN	\$15	A97L-0200-0149#636212A	BEARING a12/8000-a22/8000	\$338
A90L-0001-0423#300	FAN	\$18	A97L-0200-0149#646210A	BEARING	\$463
A90L-0001-0423#50	FAN UNIT FOR BSMV1-40, 80I	\$17	A97L-0200-0198#6307C	SPRING WASHER FOR AT22	\$9
A90L-0001-0425	LASER VANE PUMP	\$2,785	A97L-0200-0634	LASER BEAM ABSORBER	\$355
A90L-0001-0441	FAN	\$24	A97L-0200-0648#L-3D-B	VACUUM JOINT	\$42
A90L-0001-0441#100	FAN	\$31	A97L-0200-0648#L-4D-B	VACUUM JOINT	\$45
A90L-0001-0441#39	FAN	\$28	A97L-0200-0649#2-0-5-S	LASER FILTER	\$173
A90L-0001-0441#400	FAN	\$21	A97L0200-0649#2-2-S	GAS FILTER	\$137
A90L-0001-0441#650	FAN	\$22	A97L-0200-0649#2-2-S	LASER GAS FILTER	\$128
A90L-0001-0442#F	FAN	\$112	A97L-0200-0649/2-0-5-S	GAS FILTER (USE #2-0-5-S)	\$246
A90L-0001-0442#F00K	FAN A2,A3	\$25	A97L-0200-0651#N-08B-B	WATER JOINT	\$5
A90L-0001-0442#R	FAN	\$96	A97L-0200-0651#N-12B-B	FITTING (IF WATER COOLED PUMP)	\$7
A90L-0001-0443#F	FAN	\$138	A97L-0200-0651#U-08-B	FITTING (IF AIR COOLED PUMP)	\$7
A90L-0001-0443#F00K	FAN A6,A8	\$39	A97L-0200-0651#U-12-B	FITTING (IF WATER COOLED PUMP)	\$10
A90L-0001-0443#R	FAN	\$145	A97L-0200-0666#B-25-S	BOLT	\$1
A90L-0001-0443#R00K	FAN KIT EXHAUST REAR A6,A8	\$39	A97L-0200-0666#B-75-S	BOLT	\$1
A90L-0001-0443#RL	FAN	\$149	A97L-0200-0715#CAR052W C-RING		\$1
A90L-0001-0444#F	FAN	\$151	A97L-0200-0715#CAR080W C-RING		\$3
A90L-0001-0444#F00K	FAN A12-A22	\$41	A97L-0200-0797	LASER MASS FLOW VALVE	\$1,194
A90L-0001-0444#FS	FAN F/SPINDLE MOTOR	\$172	A97L-0200-0797#B	CTRL VALVE	\$1,019
A90L-0001-0444#R	FAN	\$151	A97L-0200-0802	LASER WATER DISTRIBUTION UNIT	\$3,389
A90L-0001-0444#RL	FAN	\$161	A97L-0200-0837#5-12-NI	BOLT	\$1
A90L-0001-0445#A	FAN	\$68	A97L-0200-0849	HEAT EXCHANGER (FOR CABINET)	\$297
A90L-0001-0464	HF INVERTER	\$1,842	A97L-0200-0870	LASER WATER DISTRIBUTION UNIT	\$7,837
A90L-0001-0464#CE	USE A90L-0001-0464 WHEN OUT	\$2,482	A97L-0200-0871	LASER WATER DISTRIBUTION UNIT	\$9,109
A90L-0001-0465	HF INVERTER	\$3,370	A97L-0200-0872	BEAM ABSORBER	\$3,106
A90L-0001-0465#CE	USE A90L-0001-0465 WHEN OUT	\$4,244	A97L-0200-0872#C	BEAM ABSORBER	\$2,384
A90L-0001-0487	FAN	\$77	A97L-0200-0872#D	LASER BEAM ABSORBER	\$3,030
A90L-0001-0488	FAN	\$18	A97L-0200-0873	BEAM ABSORBER	\$2,946
A90L-0001-0491#F	FAN A1,A1.5,AC1,AC1.5 SPINDLE	\$115	A97L-0200-0914	LASER HEAT EXCHANGER(OUT)	\$2,238
A90L-0001-0491#R	FAN, 1S 1.5S	\$115	A97L-0200-0937	LASER BEAM ABSORBER	\$449
A90L-0001-0504#R	FAN ASM.	\$253	A97L-0200-0937#B	BEAM ABSORBER	\$449
A90L-0001-0506#105	FAN	\$21	A97L-0200-0979	CRIMP TOOL FOR SP MTR CONNECTR	\$1,544
A90L-0001-0506#135	FAN	\$15	A97L-0200-0980#D3	PULLING TOOL	\$140
A90L-0001-0506#280	FAN	\$16	A97L-0200-0989#D3	PULLING TOOL	\$137
A90L-0001-0507#A	FAN	\$43	A97L-0201-0005#100508LD	ADAPTER FOR CABLE,BRAKE	\$62
A90L-0001-0508	FAN (2410ML05WB39GQ1)	\$39	A97L-0201-0005#200911SD	ADAP, A97L-0201-0005#200911SD	\$37
A90L-0001-0509	FAN	\$55	A97L-0201-0008	HEAT EXCHANGER - LASER	\$1,727
A90L-0001-0510	FAN (1608KL05WB39LQ3)	\$34	A97L-0201-0008#C	HEAT EXCHANGER	\$1,652
A90L-0001-0511	FAN	\$23	A97L-0201-0009#B	LASER HEAT EXCHANGER	\$2,558
A90L-0001-0514#F	FAN Ai SPNDL MTR (a2i-a3i)	\$101	A97L-0201-0010#A	CARTRIDGE HOUSING	\$380
A90L-0001-0514#R	FAN Ai SPNDL MTR (a2i-a3i)	\$139	A97L-0201-0011#A	CARTRIDGE FILTER	\$60
A90L-0001-0515#F	FAN ai6-ai8 SPNDL MTR	\$108	A97L-0201-0011#B	CARTRIDGE FILTER	\$124
A90L-0001-0515#R	FAN ai6-ai8 SPNDL MTR	\$111	A97L-0201-0211	LASER CARTIDGE FILTER	\$104
A90L-0001-0516#R	FAN a12i-a22i SPNDL MTR	\$125	A97L-0201-0213#0650S	MAGNETIC DRUM	\$499
A90L-0001-0519#R	FAN	\$130	A97L-0201-0213#1950	MAG DRUM FOR SPINDLE SENSOR ASM.	\$1,161
A90L-0001-0520#R	FAN	\$134	A97L-0201-0218	DISTRIBUTOR UNIT	\$3,362
A90L-0001-0523#F	FAN Ai SPINDL (A1i-A1.5i)	\$101	A97L-0201-0439	LASER HEAT EXCHANGER (IN)	\$3,854

RENEWAL PARTS  
PRICING

D-94



FANUC CNC Parts

Part Number	Description	Price	Part Number	Description	Price
A97L-0201-0439#B	HEAT EXCHANGER	\$5,852	A98L-0001-0581	KEY SHEET	\$87
A97L-0201-0556	HEAT EXCHANGERS (OUT)	\$2,109	A98L-0001-0584#S112	O-RING	\$3
A97L-0201-0556#B	LASER HEAT EXCHANGER	\$1,595	A98L-0001-0584#S155	O-RING	\$5
A97L-0201-0557	LASER HEAT EXCHANGER (OUT)	\$3,129	A98L-0001-0584#S354C	O-RING	\$1
A97L-0201-0557#B	HEAT EXCHANGER	\$4,898	A98L-0001-0585	KEYSHEET	\$153
A97L-0201-0588	LASER RADIATOR	\$333	A98L-0001-0586	DUST COVER	\$29
A97L-0201-0659#S6B10MON			A98L-0001-0587	DUST COVER	\$32
	QUICK CONNECTS	\$156	A98L-0001-0602	KEYSHEET	\$86
A97L-0201-0659#S6D10MON			A98L-0001-0613#C	LASER OUTPUT MIRROR	\$937
	QUICK CONNECTS	\$125	A98L-0001-0614	LASER REAR MIRROR	\$829
A97L-0201-0691	USE A97L-0201-0691#B WHEN OUT	\$4,055	A98L-0001-0615#B	FOLDING MIRROR, SPARE	\$257
A97L-0201-0691#B	HEAT EXCHANGER	\$5,852	A98L-0001-0616	SPARE PARTS O DEG SHIFT MIRROR	\$492
A97L-0201-0828	HEAT EXCHANGER(IN)	\$2,605	A98L-0001-0616#C	O-DEGREE PHASE SHIFT MIRROR	\$290
A980-0005-0283	BATTERY PACKING F/A98L-0031-0012	\$2	A98L-0001-0617	LASER POLARIZER MIRROR	\$776
A98L-0001-0111	USE A98L-0001-0111 WHEN OUT	\$1	A98L-0001-0617#B	POLARIZER 1/4 WAVE MIRROR	\$2,255
A98L-0001-0135#B3220E1	OIL SEAL F/A65/100/150 SV	\$11	A98L-0001-0617#C	CIRCULAR POLARIZER MIRROR	\$635
A98L-0001-0135#C0514E5	OIL SEAL F/0.5 SV	\$4	A98L-0001-0619#1022	LASER O-RING-D	\$8
A98L-0001-0135#C0616E1	OIL SEAL F/A1/2 SV	\$5	A98L-0001-0619#1025	O-RING	\$7
A98L-0001-0135#C2057A9	OIL SEAL	\$6	A98L-0001-0619#2030	LASER O-RING-D	\$12
A98L-0001-0135#C3222A1	OIL SEAL	\$28	A98L-0001-0619#2031	LASER O-RING	\$8
A98L-0001-0135#E0616E0	Shaft Seal	\$5	A98L-0001-0621	KEY SHEET	\$82
A98L-0001-0171	ACCESSORY BAG	\$1	A98L-0001-0628#A	SURFACE SHEET	\$66
A98L-0001-0382#D024B	BEARING	\$3	A98L-0001-0628#B	KEYSHEET	\$70
A98L-0001-0438	TAPE READER REEL CORE	\$3	A98L-0001-0628#C	KEY SHEET	\$66
A98L-0001-0439	TAPE READER REEL	\$20	A98L-0001-0628#E	KEYSHEET	\$68
A98L-0001-0455	PLASTIC COVER	\$220	A98L-0001-0628#F	SURFACE SHEET	\$72
A98L-0001-0481#M	KEYSHEET	\$63	A98L-0001-0628#G	SURFACE SHEET	\$68
A98L-0001-0481#T	KEYSHEET	\$64	A98L-0001-0628#H	KEYSHEET	\$66
A98L-0001-0482#M	KEYSHEET	\$63	A98L-0001-0628#I	KEYSHEET	\$68
A98L-0001-0482#T	KEYSHEET	\$63	A98L-0001-0628#K	KEYSHEET	\$66
A98L-0001-0482#V	KEY SHEET	\$53	A98L-0001-0628#L	SURFACE SHEET	\$65
A98L-0001-0518#A	KEYSHEET	\$44	A98L-0001-0628#N	KEY SHEET	\$65
A98L-0001-0518#C	KEY SHEET	\$47	A98L-0001-0629	SOFT KEYSHEET COLOR	\$17
A98L-0001-0518#D	KEYSHEET	\$47	A98L-0001-0630	KEYSHEET	\$22
A98L-0001-0518#M02	KEYSHEET	\$42	A98L-0001-0633#BA	KEYSHEET	\$51
A98L-0001-0518#MB	KEY SHEET	\$30	A98L-0001-0633#BH	KEY SHEET	\$51
A98L-0001-0518#MR	KEY SHEET	\$29	A98L-0001-0633#BI	KEY SHEET	\$51
A98L-0001-0518#T	SHEET (KEY BOARD)	\$49	A98L-0001-0633#C	KEYSHEET FOR STD MACH OPER PNL	\$51
A98L-0001-0518#TB	KEY SHEET	\$44	A98L-0001-0633#D	KEY SHEET	\$67
A98L-0001-0518#TR	KEY SHEET	\$29	A98L-0001-0633#F	KEYSHEET	\$67
A98L-0001-0518#X	KEY SHEET	\$29	A98L-0001-0633#G	KEYSHEET	\$67
A98L-0001-0519	SHEET (SOFT KEY)	\$17	A98L-0001-0633#JN	KEY SHEET, MEMBRANE (FELLOWS)	\$49
A98L-0001-0524#A	KEY SHEET (FOM)	\$72	A98L-0001-0633#K	FLAT KEYSHEET	\$67
A98L-0001-0524#AC	KEYSHEET	\$46	A98L-0001-0633#M	FULL KEYSHEET OM-B	\$74
A98L-0001-0524#AP	KEY SHEET, OPE PANEL	\$61	A98L-0001-0633#MB	KEYSHEET	\$51
A98L-0001-0524#AU	KEYSHEET	\$61	A98L-0001-0633#MBR	KEY SHEET	\$49
A98L-0001-0524#B	KEY SHEET (FOT)	\$72	A98L-0001-0633#N	FLAT KEYSHEET	\$67
A98L-0001-0524#B1	KEY SHEET	\$64	A98L-0001-0633#P	FLAT KEYSHEET	\$67
A98L-0001-0524#BA	KEYSHEET	\$68	A98L-0001-0633#Q	FLAT KEYSHEET	\$67
A98L-0001-0524#BB	KEY SHEET	\$63	A98L-0001-0633#T	KEY SHEET	\$74
A98L-0001-0524#BK	KEYSHEET	\$61	A98L-0001-0633#TB	KEYSHEET	\$51
A98L-0001-0524#BL	KEY SHEET, OPE PANEL	\$61	A98L-0001-0633#TBR	KEYSHEET ENG FULLKEY	\$51
A98L-0001-0524#C	KEY SHEET	\$71	A98L-0001-0633#V	KEYSHEET	\$51
A98L-0001-0524#CJ	KEY SHEET, OPE PANEL	\$61	A98L-0001-0633#Y	FLAT KEYSHEET	\$67
A98L-0001-0524#CW	KEY SHEET	\$46	A98L-0001-0634#A	KEYSHEET	\$67
A98L-0001-0524#CX	KEY SHEET, OPE PANEL	\$46	A98L-0001-0634#B	KEYSHEET	\$71
A98L-0001-0524#DA	KEYSHEET	\$61	A98L-0001-0646#A	KEYSHEET	\$63
A98L-0001-0524#DH	KEYSHEET, OPERATOR'S PANEL	\$54	A98L-0001-0646#B	KEYSHEET F/SERIES 15	\$64
A98L-0001-0524#DP	KEYSHEET, MACHINE PANEL	\$56	A98L-0001-0646#C	KEYSHEET F/S15	\$61
A98L-0001-0524#EA	KEY SHEET, OPE. PANEL	\$74	A98L-0001-0646#D	KEYSHEET	\$63
A98L-0001-0524#EB	KEY SHEET	\$54	A98L-0001-0646#E	KEYSHEET F/S15	\$63
A98L-0001-0524#F	KEYSHEET	\$68	A98L-0001-0646#F	KEYSHEET F/S15	\$63
A98L-0001-0524#J	KEYSHEET	\$65	A98L-0001-0646#G	KEYSHEET F/S15	\$66
A98L-0001-0524#K	KEYSHEET	\$65	A98L-0001-0646#H	KEYSHEET	\$63
A98L-0001-0524#M	KEYSHEET, OPERATOR PANEL	\$65	A98L-0001-0646#I	KEYSHEET	\$63
A98L-0001-0524#MB	KEY SHEET	\$71	A98L-0001-0647#M	KEYSHEET	\$61
A98L-0001-0524#MBR	KEY SHEET	\$121	A98L-0001-0647#T	KEYSHEET	\$61
A98L-0001-0524#TB	KEY SHEET O-C	\$46	A98L-0001-0648#M	FLAT KEYSHEET	\$61
A98L-0001-0524#TBR	KEYSHEET ENG	\$46	A98L-0001-0648#T	FLAT KEYSHEET	\$61
A98L-0001-0555#A	SHEET	\$71	A98L-0001-0660	KEY SHEET PWR/MTC	\$21
A98L-0001-0555#B	KEYSHEET	\$68	A98L-0001-0660#A	KEYSHEET F/SOFTKEYS SEVEN	\$15
A98L-0001-0555#E	KEYSHEET	\$62	A98L-0001-0672	KEY SHEET	\$80
A98L-0001-0555#F	KEYSHEET	\$61	A98L-0001-0674#1	LASER VANE PUMP FILTER	\$288
A98L-0001-0555#G	KEYSHEET	\$61	A98L-0001-0674#2	LASER EXHAUST PUMP FILTER	\$281
A98L-0001-0555#I	KEY SHEET	\$61	A98L-0001-0690	SPARE OUTPUT MIRROR	\$3,074
A98L-0001-0567#P	KEYSHEET	\$107	A98L-0001-0690#B	SPARE PART (OUTPUT MIRROR)	\$1,792
A98L-0001-0567#P02	KEYSHEET	\$94	A98L-0001-0691	LASER REAR MIRROR	\$2,001
A98L-0001-0568#M02	KEY SHEET	\$49	A98L-0001-0692#D	OUTPUT COUPLER 10-5, C2000	\$965
A98L-0001-0568#MB	KEY SHEET	\$37	A98L-0001-0693#C	REAR MIRROR	\$877
A98L-0001-0568#MR	KEY SHEET	\$36	A98L-0001-0698	KEY SHEET	\$64
A98L-0001-0568#T	FLAT KEYSHEET OT	\$52	A98L-0001-0708	SHUTTER MIRROR (FOR GUIDE LASER	\$154
A98L-0001-0568#TR	KEY SHEET	\$35	A98L-0001-0724#15	KNOB	\$24
A98L-0001-0569#M	FLAT KEYSHEET	\$90	A98L-0001-0738#A	KEYSHEET	\$41
A98L-0001-0580	KEY SHEET	\$92	A98L-0001-0738#B	KEYSHEET	\$73

# A98L-0001-0740

Part Number	Description	Price	Part Number	Description	Price
A98L-0001-0740	KEYSHEET F/KEYBOARD	\$24	A98L-0005-0019#S	KEY SHEET F/KEY BOARD	\$211
A98L-0001-0741	KEYSHEET,F/A02B-0118-C042/C043	\$61	A98L-0005-0020#A	KEYSHEET	\$19
A98L-0001-0741#R	KEYSHEET F/PWR MATE H	\$46	A98L-0005-0020#B	KEYSHEET	\$19
A98L-0001-0742#B	LASER OUTPUT MIRROR	\$854	A98L-0005-0020#C	KEYSHEET	\$19
A98L-0001-0750	LASER REAR MIRROR	\$635	A98L-0005-0020#D	KEYSHEET	\$19
A98L-0001-0755#A	KEYSHEET	\$97	A98L-0005-0022	KEY SHEET F/PWR MATE H	\$46
A98L-0001-0755#B	FLAT KEYSHEET	\$100	A98L-0005-0032#A	ZEMA CUSTOM KEYSHEET	\$46
A98L-0001-0755#J	KEYSHEET	\$85	A98L-0005-0032#B	KEYSHEET	\$127
A98L-0001-0755#K	KEYSHEET	\$85	A98L-0005-0032#H	CUSTOM 0-C KEYSHEET FOR ZEMA	\$46
A98L-0001-0756	SPARE OUTPUT MIRROR	\$1,195	A98L-0005-0032#P	KEY SHEET	\$46
A98L-0001-0757	LASER SPARE REAR MIRROR	\$2,751	A98L-0005-0032#R	KEYSHEET	\$127
A98L-0001-0757#B	REAR MIRROR	\$1,214	A98L-0005-0032#S	KEY SHEET	\$62
A98L-0001-0765	KEYSHEET	\$28	A98L-0005-0032#YR	KEYSHEET	\$46
A98L-0001-0783#MHE1	KEY SHEET	\$40	A98L-0005-0032#YS	KEYSHEET OPR PNL MEM SML T SYM	\$46
A98L-0001-0785#MHE1	LABEL,LED	\$24	A98L-0005-0033#A	ROMI KEYSHEET	\$46
A98L-0001-0811#A	KEY SHEET F/KEYBD	\$65	A98L-0005-0033#B	ROMI KEYSHEET	\$46
A98L-0001-0814#M	KEY SHEET	\$51	A98L-0005-0033#C	ROMI KEYSHEET	\$46
A98L-0001-0814#MR	KEY SHEET	\$51	A98L-0005-0033#JN	KEY SHEET	\$46
A98L-0001-0814#T	KEY SHEET	\$51	A98L-0005-0033#KN	KEYSHEET	\$51
A98L-0001-0814#TR	KEY SHEET	\$50	A98L-0005-0033#YR	KEYSHEET	\$46
A98L-0001-0864	KEY SHEET	\$13	A98L-0005-0036#PMGE1	LED SHEET	\$18
A98L-0001-0865#A	KEY SHEET	\$48	A98L-0005-0052#A	KEY SHEET	\$18
A98L-0001-0865#AR	KEY SHEET	\$48	A98L-0005-0052#B	KEYSHEET	\$18
A98L-0001-0865#AS	KEYSHEET	\$157	A98L-0005-0052#C	KEY SHEET	\$18
A98L-0001-0866#B	MIRROR FOLDING	\$483	A98L-0005-0052#D	KEY SHEET	\$18
A98L-0001-0867	KEY SHEET	\$13	A98L-0005-0080#A	KEY SHEET	\$18
A98L-0001-0877	SPHERICAL COUPLER (MIRROR)	\$1,851	A98L-0005-0112#E	KEYSHEET	\$65
A98L-0001-0881	CONDENSING LENS	\$1,216	A98L-0005-0122#06	SPACER	\$15
A98L-0001-0885	FILTER CARTRIDGE 5um	\$244	A98L-0005-0182	Symbol key top	\$99
A98L-0001-0886	ION-EXCHANGE CARTRIDGE	\$209	A98L-0005-0187	LASER TRIGGER ELECTRODE #22	\$314
A98L-0001-0902	BAT LIT 6V 5000MAH WITH CONN	\$61	A98L-0005-0206#040	O RING F/ALPHA i PULSE CODER INTERNAL	\$3
A98L-0001-0908#B	FILTER ELEMENT	\$11	A98L-0005-0206#041	O RING F/ALPHA i PULSE CODER EXTERNAL	\$2
A98L-0001-0909#B	MANTLE ASSY, OIL MIST FILTER	\$102	A98L-0005-0212#A	KEY SHEET	\$18
A98L-0001-0911	LASER VANE PUMP FILTER	\$235	A98L-0005-0213	KEYSHEET, CLEAR - HANDY OPERATOR'S	\$13
A98L-0001-0959	MIRROR REAR	\$1,419	A98L-0005-0262	KEY SHEET	\$35
A98L-0001-0960	OUTPUT MIRROR	\$1,296	A98L-0005-0263	KEY SHEET F/PANEL i 15" TOUCH	\$48
A98L-0001-0961	REAR MIRROR	\$1,214	A98L-0005-0264	KEY SHEET F/PANEL i 15" TOUCH	\$39
A98L-0001-0970	VIBRATION ISOLATOR	\$8	A98L-0005-0276	KEYSHEET	\$37
A98L-0001-0981	MIRROR OUTPUT 1500 SPARE	\$619	A98L-0031-0002	BATTERY	\$74
A98L-0001-0981#B	LASER OUTPUT MIRROR	\$1,842	A98L-0031-0003	BATTERY	\$15
A98L-0001-0985#A	KEY SHEET F/KEY BOARD	\$17	A98L-0031-0004	BATTERY	\$3
A98L-0001-0985#B	KEY SHEET F/KEY BOARD	\$17	A98L-0031-0005	D SIZE ALKALINE BATTERY	\$5
A98L-0001-0985#S	KEY SHEET F/KEY BOARD	\$17	A98L-0031-0006	BATTERY IC693PWR310	\$11
A98L-0001-0986#A	KEYSHEET F/CE MARK	\$209	A98L-0031-0007	LITHIUM BATTERY 3V	\$27
A98L-0001-0986#S	KEY SHEET	\$19	A98L-0031-0011	LITHIUM BATTERY (6V)	\$26
A98L-0003-0004#P22.4S	LASER O RING	\$16	A98L-0031-0011#L	BETA AMP BATTERY LITHIUM (6V)	\$30
A98L-0003-0004#P26S	O-RING	\$18	A98L-0031-0012	LITHIUM BATTERY (3V)	\$15
A98L-0003-0004#P58	LASER O-RING	\$39	A98L-0040-0086#20L	LASER SA-L OIL	\$1,997
A98L-0003-0015#B	LASER OUTPUT MIRROR	\$1,462	A98L-0040-0093#1.0L1	LASER SA-H OIL ONE LITER	\$123
A98L-0003-0015#D	OUTPUT MIRROR, SPARE	\$1,462	A990-0165-0001	TOUCH PANEL SHEET	\$11
A98L-0003-0015#E	OUTPUT MIRROR	\$1,999	A990-0165-0002	PROTECT SHEET FOR TOUCH PANEL	\$8
A98L-0003-0016#B	LASER REAR MIRROR	\$1,462	A99L-0033-0001	CABLE CLAMPS	\$3
A98L-0003-0016#C	REAR MIRROR, SPARE	\$1,489	A99L-0035-0001	GROUNDING CLIP	\$3
A98L-0003-0018#20	WINDOW	\$170	A99L-0065-0001	STICKER	\$3
A98L-0003-0019	MIRROR ANTIREFLECTING	\$792	A99L-0091-0001	PRINTER PAPER (5 ROLLS)	\$16
A98L-0003-0036	SPARE PARTS(OUTPUT MIRROR)	\$1,296	A99L-0091-0002	PRINTER RIBBON	\$19
A98L-0003-0037	SPARE PARTS(REAR MIRROR)	\$1,462	A99L-0105-0001	LABEL	\$4
A98L-0003-0045	SPARE PARTS (OUTPUT MIRROR)	\$496	A99L-0105-0002	LABEL	\$2
A98L-0003-0047	SPARE PARTS (FOLDING MIRROR)	\$253	A99L-0120-0002	CASE FOR FLOPPY DISCs	\$13
A98L-0004-0019	BATTERY CASE	\$7	A99L-0121-0001	CARRYING CASE FOR PG MATE	\$418
A98L-0004-0023	BATTERY SNAP	\$1	A99L-0122-0001	PAPER FOR A3 PLOTTER	\$185
A98L-0004-0096	BATTERY CASE	\$46	A99L-0122-0002	PAPER FOR A1 PLOTTER	\$278
A98L-0004-0108	STICKER	\$2	A99L-0128-0002#12	LABEL	\$9
A98L-0004-0108#A	STICKER - EMG	\$2	A99L-0128-0002#14	LABEL	\$9
A98L-0004-0108#B	STICKER	\$2	A99L-0164-0001	Pen for touch panel	\$9
A98L-0004-0149	BATTERY CASE	\$53	AMASCH514T115	WOODRUFF KEY	\$2
A98L-0004-0249#HTCY0024	Shaft Seal F/A3/6,C3/6,M3/6/9,L3/6/9	\$8	B-61393	0-C CONN (JPN)	\$202
A98L-0004-0249#HTCY0035	OIL SEAL F/A12/22/30/40,C12/22.L25/50	\$10	B-61813	Conn/Maint Manual I/O Model A (JP)	\$24
A98L-0004-0348#2-N	LASER NYLON FERRULE	\$4	B-61813J	CONN & I/O MAINT, JAPANESE	\$32
A98L-0004-0348#3-N	LASER NYLON FERRULE	\$6	B-62073J	MANUAL SERIES 15/150-MODEL B CONNECTION	\$73
A98L-0004-0348#4-N	LASER NYLON FERRULE	\$9	B-62075	Maintenance Manual (JP), S15-B	\$64
A98L-0004-0635#20L	DE-IONIZED WATER	\$51	B-62077	15B OP/MAINT HNDKB (JAPANESE)	\$105
A98L-0004-0652#GS	KNOB FOR ROTARY SWITCH	\$3	B-62564	Operator's Prog Manual (JP), S15-B	\$116
A98L-0004-0688	SEALANT Threebond 3934E 18KG	\$4,668	B-62564-1	15B OPERATION MANL (JAPANESE)	\$105
A98L-0004-0799#A	RUBBER VIBRATION ISOLATOR TYPE A	\$13	B-63003JA	CONN MAN. S16I/18I/160I/180I-A (JP)	\$59
A98L-0004-0799#B	RUBBER VIBRATION ISOLATOR TYPE A	\$12	B-63003JA-1	CONN MANUAL S16/18/21I (FUNC) (JP)	\$289
A98L-0004-0818#BF	KNOB F/OVERRIDE SW HANDY OPER PNL	\$3	B-63005JA	MAINT MAN S16I/18I/160I/180I-A (JP)	\$98
A98L-0005-0003#A	KEYSHEET F/KEY BOARD	\$152	B-63007JA	OP&MAINT MAN 16I/18I/160I/180I-A (J	\$79
A98L-0005-0003#S	KEY SHEET F/KEY BOARD	\$219	B-63010JA	PARAMETER MANUAL 16I/18I (JP)	\$72
A98L-0005-0018#A	KEY SHEET	\$17	B-63014JA	OPER MAN S16I/18I/160I/180I-A (JP)	\$228
A98L-0005-0018#B	KEYSHEET SYMBOLIC (CE)	\$17	B-63173JA	POWER MATE I-D/H CONN MANUAL (HARDW	\$70
A98L-0005-0018#C	KEY SHEET	\$17	B-63523JA	S16I/18I/21I/160I/180I/210I B DESC	\$104
A98L-0005-0018#D	KEY SHEET	\$17	B-63523JA	S16I/18I/21I - B CONN MANUAL (HARDW	\$92
A98L-0005-0019#A	KEY SHEET	\$17	B-63523JA-1	S16I/18I/21I - B CONN MANUAL (FUNC	\$357

RENEWAL PARTS  
PRICING

D-96



FANUC CNC Parts

Part Number	Description	Price	Part Number	Description	Price
B-63525FR	16i/18i/21i/160i/180i/210i-MB Maint Man	\$210	M-2003-7563	REN - IMP ARM	\$78
B-63525JA	S16i/18i/21i - B MAINT MANUAL	\$162	M-2003-7564	REN - IMP ARM	\$78
B-63530FR	Series 16i/18i/160i/180i Model B Param	\$104	M-2003-7565	REN - IMP ARM	\$78
B-63534FR	Series 16i/18i/160i/180i Model B Oper Mn	\$246	M-2003-7566	REN - IMP ARM	\$78
B-63534JA	S16i/18i/160i/180i-MB OPERATOR'S MA	\$237	M-2003-7567	REN - IMP ARM	\$78
B-63782JA	MANUAL	\$80	M-2003-7568	REN - IMP ARM	\$78
B-63783JA	MANUAL	\$85	M-2003-7569	REN - IMP ARM	\$78
B-63783JA-1	MANUAL	\$340	M-2003-7571	REN - IMP ROUND ARM 70MM	\$78
B-63784JA	MANUAL	\$166	M-2003-7574	REN - IMP ROUND ARM 85MM	\$78
B-63784JA-1	MANUAL	\$121	M-2003-7580	REN - IMP ARM	\$78
B-63785JA	MANUAL	\$96	M-2003-7582	REN - IMP ARM	\$78
B-63790JA	MANUAL	\$81	M-2003-7584	REN - IMP ARM	\$78
B-63835IT	MANUAL (ITALIAN)	\$117	M-2003-7585	REN - IMP ARM	\$78
B-63844IT	MANUAL (ITALIAN)	\$117	M-2003-7586	REN - IMP ARM	\$78
B-65142	Desc Manual Alpha Servo Motor (JP)	\$40	M-2003-7587	REN - IMP ARM	\$78
B-65150	Parameter Manual, Alpha Servo Mtr (JP)	\$30	M-2003-7588	REN - IMP ARM	\$78
B-65162	ALPHA SERVO AMPLIFIER DESC MAN (JP)	\$106	M-2003-7589	REN - IMP ARM	\$78
B-65165	Maintenance Manual, Alpha Servo Mtr (JP)	\$29	M-2003-7590	REN - IMP ARM	\$78
B-65232JA	BETA SERVO MOTOR DESC MANUAL	\$17	M-2003-7591	REN - IMP ARM SM	\$78
B-65245JA	BETA SERVO MOTOR I/O LINK MAINT MAN	\$34	M-2003-7592	REN - IMP ARM	\$78
B-65262JA	AC SERVO MOTOR ALPHA I DESC MANUAL	\$35	M-2003-8015	REN - IMP ARM SM	\$78
B-65270JA	MANUAL	\$63	M-2003-8021	REN - IMP ARM	\$78
B-65272JA	AC SPINDLE MOTOR ALPHA I SERIES DES	\$38	M-2003-8067	REN - IMP ARM SM	\$78
B-65282JA	SERVO AMPLIFIER ALPHA I DESC MANUAL	\$31	M-2003-8068	REN - IMP ARM	\$78
B-65285JA	SERVO AMPLIFIER ALPHA I MAINT MANUA	\$33	M-2004-0023	REN - MP1 ADAPTOR TO 3/4" SHANK	\$132
BCLF01	AUXILIARY CONTACT BCLF01	\$11	M-2004-0028	REN - 12MM SHANK ADAPTOR-MP1	\$314
BCLF10	AUXILIARY CONTACT BCLF10	\$11	M-2004-0029	REN - 500 SHANK ADAPTOR-MP1	\$314
BCLL11	AUX. CONT. 1NO-1NC SIDE MOUNT	\$20	M-2008-0216	REN - 5/8-24 / M16-1.5 ADAPTOR (CM)	\$45
BCLL20	AUX. CONT. 1NO SIDE MOUNT	\$20	M-2008-0585	REN - RAISING BLOCK 108MM W/ CINCIN	\$85
BEKH	MECHANICAL INTERLOCK	\$68	M-2008-0586	REN - RAISING BLOCK 158MM W/ CINCIN	\$100
BELO2	MECHANICAL INTERLOCKS	\$36	M-2008-0586-RI	REN - RAISING BLOCK 158MM W/O LOGO	\$100
BEV-TEST-1	bev-test-1-desc	\$3,120	M-2008-0619	REN - RAISING BLOCK 120MM W/ MAZAK	\$73
BRLL11	CONTACTS SIDE MOUNT BRLL11	\$20	M-2008-0866	REN - RAISING BLOCK 108MM W/O LOGO	\$85
BRLL20	SIDE MOUNT BASE	\$9	M-2008-0866-RI-KIT	REN - TS27R 108MM RISER KIT	\$120
BSLDZ	12-600 VDC SUPPRESSOR	\$25	M-2012-0009	REN - CP1 SHANK ADAPTOR	\$267
BSLR2K	COIL SUPPRESSOR BSLR2K	\$25	M-2012-0027	REN - CP1 / 40 CAT SHANK ONLY	\$424
BSLR3R	130-240VAC SUPPRESSOR	\$20	M-2028-7455	1/4" SEALTITE, 1 UNIT	\$21
BSLV3G	SURGE SUPPRESSOR DIODE	\$16	M-2028-7456	REN - 1/4" SEALTITE FITTING (INC)	\$11
BSLV3K	SURGE SUPPRESSOR	\$25	M-2028-7459	REN - 1/4 FITTING LOCKING RING	\$10
BTLF30D	TIMER UNIT NO-NC CONTACTS	\$125	M-2028-7576	REN - SPACER (1MM)	\$34
E-B6-10860	PLASTIC COVER	\$32	M-2028-7577	REN - SPACER (3MM)	\$34
IC600MA508	CALIBRATION CONNECTOR	\$229	M-2030-0214	REN - SHANK .75 DIA MP10 NO/ADJUST	\$179
IC850ADP101	I ADAPT FOR MILLING SYSTEM	\$4,500	M-2030-0217	REN - VDI 50 SHANK LTO2S	\$777
IC850ADP101A	i Adapt for Milling System	\$4,680	M-2033-0975	REN - CAT50 SHANK MP8 (LONG)	\$790
IC850ADP201	I ADAPT FOR TURNING SYSTEM	\$4,500	M-2033-0977	REN - CAT40 SHANK MP8 (SHORT)	\$405
IC850CAM100	Gibbs Shop Floor Programming	\$17	M-2033-0978	REN - CAT50 SHANK MP8 (SHORT)	\$827
IC850CDR102A	Combo Floppy/CD Drive IDE Interface	\$884	M-2033-0989	REN - CAT50 SHANK MP8 METRIC THREAD	\$827
IC850HDD101D	DS2050 HD, Plastic Cartridge	\$400	M-2033-6439	REN - CAT40 MP7/9 SHANK	\$342
IC850HDD101E	DS2050 HD, Metal Cartridge	\$400	M-2033-6440	REN - CAT45 MP7/9 SHANK	\$342
IC850PCT100	Display Station 2010 - 10.4" LCD	\$7,488	M-2033-6441	REN - CAT50 MP7/9 SHANK	\$342
IC850PCT200	Display Station 2010-12.1" LCD	\$8,892	M-2033-6445	REN - BT40 SHANK MP9	\$342
IC850PCT400	Display Station 2050 15.1"	\$12,940	M-2033-6446	REN - BT45 SHANK MP9	\$342
IC850SWS250	Standard Operation Suite	\$710	M-2033-6447	REN - BT50 SHANK MP9	\$342
JB-OR4C-P12.5	O-RING FOR LAMP HOLDER	\$1	M-2033-6635	REN - ISO50 SHANK DIN69871 MP7/9	\$342
JB-OR4C-P15	O-RING FOR FLOW TUBE	\$1	M-2033-6744	REN - ISO40 SHANK DIN69871 MP8/MP14	\$790
JB-OR4D-G100	O-RING	\$9	M-2033-6745	REN - ISO50 SHANK DIN69871 MP8/MP14	\$790
JB-OR4D-G35	LASER O-RING	\$5	M-2033-6829	REN - BT40 SHANK MP8 (LONG)	\$790
JB-OR4D-G45	O-RING	\$5	M-2033-7022	REN - CAT50 SHANK MP8 W/M CHIP M24X	\$1,050
JB-OR4D-G55	LASER O-RING	\$7	M-2033-7065	REN - BATTERY-MERCURY MP3 (SPECIAL)	\$44
JB-OR4D-G60	O-RING	\$6	M-2033-7124	REN - HSK A63 SHANK MP7/9	\$824
JB-OR4D-G75	O-RING	\$12	M-2033-7126	REN - HSK A100 SHANK MP7/9	\$998
JB-OR4D-G80	O-RING	\$12	M-2033-7144	REN - RAISING BLOCK 76MM W/ CINCINN	\$112
JB-OR4D-G90	LASER O-RING	\$21	M-2033-7174	REN - MP8 BT50 SHANK (SHORT)	\$342
JB-OR4D-P10	TRIGGER O RING	\$1	M-2033-7189	REN - RAISING BLOCK 125MM W/ CINCIN	\$89
JB-OR4D-P10A	LASER O-RING	\$1	M-2033-7333	REN - HSK E32 SHANK MP10/12	\$985
JB-OR4D-P22	LASER O-RING E	\$2	M-2033-7355	REN - MTP DEMONSTRATION PART	\$250
JB-OR4D-P24	LASER O-RING E	\$3	M-2033-MPS-45	REN - SPECIAL SHANK BOEING 45 TAPER	\$1,683
JB-OR4D-P25.5	LASER O-RING B	\$3	M-2045-0026	REN - ISO50 SHANK DIN2080 MP10/12	\$405
JB-OR4D-P28	LASER O-RING	\$3	M-2045-0027	REN - BT40 SHANK MP10/12	\$342
JB-OR4D-P31	LASER O-RING C	\$5	M-2045-0038	REN - BT45 SHANK MP10/12	\$342
JB-OR4D-P34	LASER O-RING E	\$5	M-2045-0064	REN - ISO30 SHANK DIN69871 MP10/12	\$342
JB-OR4D-P38	LASER O-RING	\$4	M-2045-0065	REN - ISO40 SHANK DIN69871 MP10/12	\$342
JB-OR4D-P41	LASER O-RING C	\$7	M-2045-0067	REN - ISO50 SHANK DIN69871 MP10/12	\$342
JB-OR4D-P42	O-RING	\$4	M-2045-0068	REN - CAT30 SHANK MP10/12	\$342
JB-OR4D-P52	O-RING	\$12	M-2045-0069	REN - CAT40 SHANK MP10/12	\$342
JB-OR4D-P58	O-RING	\$19	M-2045-0071	REN - CAT50 SHANK MP10/12	\$342
JB-OR4D-P75	O-RING	\$18	M-2045-0071-CATSP	REN - SPECIAL MP10 CAT50 SHANK FOR	\$342
JB-OR4D-P85	O-RING	\$22	M-2045-0073	REN - BT50 SHANK MP10/12	\$342
JB-OR4D-P90	O-RING	\$28	M-2045-0077	REN - BT30 SHANK MP10/12	\$342
JB-OR4D-V20	LASER O-RING F/DISCHARGE TUBE	\$5	M-2045-0132	REN - ISO30 SHANK DIN2080 MP10/12	\$342
JB-OR4D-V24	LASER O-RING A	\$4	M-2045-0136	REN - CAT50 SHANK MP10/12 METRIC TH	\$342
K8622212E33	RESISTOR	\$8	M-2045-0137	REN - CAT40 SHANK MP10/12	\$342
M-2003-7561	REN - IMP ARM	\$78	M-2045-0138	REN - CAT45 SHANK MP10/12	\$342
M-2003-7562	REN - IMP ARM	\$78	M-2045-0139	REN - CAT50 SHANK MP10/12	\$342

RENEWAL PARTS  
PRICING

D-97





# M-2045-0154

Part Number	Description	Price	Part Number	Description	Price
M-2045-0154	REN - BT35 SHANK MP10/12	\$342	MP700E-NS-KIT	MP700E H/W ONLY KIT-NO SHANK	\$7,861
M-2045-0186	REN - HSK A40 SHANK MP10/12	\$643	MP700-NS-KIT	MP700 NO SHANK HW ONLY KIT	\$6,467
M-2045-0187	REN - HSK A50 SHANK MP10/12	\$767	MP9-C50-KIT	MP9 Probe Kit with CAT 50 Shank	\$6,031
M-2045-0188	REN - HSK A63 SHANK MP10/12	\$824	MS3057-10A	CLAMP FOR MOTOR CONNECTOR	\$5
M-2045-0189	REN - HSK A80 SHANK MP10/12	\$998	MS3057-12A	CLAMP FOR MOTOR CONNECTOR	\$6
M-2045-0190	REN - HSK A100 SHANK MP10/12	\$1,001	MS3057-16A	CLAMP, MOTOR POWER CONNECTOR	\$6
M-2045-0190-GROB	REN - HSK A100 SHANK MP10/12 ON GRO	\$1,041	MS3057-3	CONNECTOR, BRAKE	\$6
M-2045-0193	REN - HSK B63 SHANK MP10/12 DIN6989	\$824	MS3057-4A	CLAMP	\$7
M-2045-0232	REN - HSK A32 SHANK MP10/12	\$579	MS3102A10SL-3P	CONNECTOR	\$13
M-2045-0238	REN - CAT50 SHANK MP10/12 METRIC	\$342	MS3102A10SL-4P	CONNECTOR	\$12
M-2045-0279	REN - CALIBRATION ASSY COVER	\$237	MS3102A12S-3S	CONNECTOR	\$16
M-2045-0286	REN - HSK A100 SHANK MP10/12 SPECIA	\$767	MS3102A18-10P	CONNECTOR	\$19
M-2045-0287	HSK F63 SHANK MP10/12 DIN69893	\$933	MS3102A18-1S	CONNECTOR	\$33
M-2045-0288	REN - HSK F50 SHANK MP10/12 DIN6989	\$767	MS3102A20-29PW	CONNECTOR	\$25
M-2045-0292	REN - CAT60 SHANK FOR MP10/12	\$1,580	MS3102A22-14P	CONNECTOR	\$28
M-2045-0333	REN - HSK A125 SHANK MP10/12	\$1,815	MS3102A22-22P	CONNECTOR MOTOR POWER	\$37
M-2048-0153	REN - TSA TO HPA TUBE ADAPTOR	\$124	MS3102A24-10P	CONNECTOR	\$40
M-2048-0531	REN - HPA SPACER 90DEG TS20 HOLDER	\$15	MS3106A10SL-3P	CONNECTOR ALPHA MOTOR BRAKE	\$29
M-2048-1281	REN - 3 WAY SPRING PIN CARRIER HPA	\$53	MS3106A10SL-3S	CONNECTOR ALPHA BRAKE	\$27
M-2051-6427	REN - BT40 SHANK	\$218	MS3106A20-29S	MIL SPEC CONNECTOR	\$57
M-2051-7705	REN - BT50 TOOLHOLDER FOR MP1	\$342	MS3106B10SL-3S	CONN, FAN/BRAKE 3P STRAIGHT	\$19
M-2053-8633	REN - ADAPTOR RMP-R TO IND. SHANK	\$131	MS3106B10SL-4S	CONN, FAN/BRAKE 2P STRAIGHT	\$16
M-2056-0293	REN - MP14 MP16 UNIVERSAL SHANK ADA	\$202	MS3106B18-10S	CONN, MTR PWR 4P STRAIGHT	\$23
M-2056-6038	REN - MOD DIN69893 HSKA80 SHANK	\$1,080	MS3106B20-29S	CONN, SEPARATE ENCODER STRAIT	\$36
M-2063-7865	REN - SHANK ADAPTOR FOR MA2 20MM	\$115	MS3106B20-29SW	CONN, MTR ENC 17P STRAIGHT	\$28
M-2063-8003	REN - LP2 PROTECTION COVERS	\$37	MS3106B22-14S	CONN, MTR ENC 19P STRAIGHT	\$47
M-2063-8019	REN - SWARF DEFLECTOR LP2	\$84	MS3106B22-22S	CONN, MTR PWR 4P STRAIGHT	\$40
M-2063-8044	REN - ADJUSTING STUD FOR A/2063/803	\$22	MS3106B24-10S	CONN, MTR PWR 7P STRAIGHT	\$58
M-2085-0069	REN - STYLJ BREAK PROTECTOR	\$25	MS3106F10SL-4S	CONN ENVIR TYPE STRAIGHT	\$25
M-20GE-0001	REN - SPECIAL MP12 SHANK GE	\$431	MS3106R20-29SW	CONN ENVIR INCR/ORING STRAIGHT	\$89
M-20IM-0001	REN - HSK B80 SHANK MP10/12	\$1,571	MS3106R22-14S	CONN ENVIR ABS/ORING STRAIGHT	\$100
M-2115-0045	REN - OMI EXTENSION CABLE 10M LONG	\$28	MS3106R22-22S	CONN ENVIR /O RING STRAIGHT	\$106
M-2115-0046	REN - OMI EXTENSION CABLE 20M LONG	\$28	MS3106R24-10S	CONN ENVIR /O RING STRAIGHT	\$180
M-2116-0700	REN - MP15 SHANK 5 DIA	\$307	MS3108A10SL-4S	PWR PLUG MOTOR BRAKE FAN ELBOW	\$25
M-2116-1356	REN - MP15/MP11 ADAPTOR	\$209	MS3108A18-10S	CONNECTOR, ELBOW	\$37
M-2116-1376	REN - TSA 20 DEG HOLDER ONLY	\$425	MS3108A20-29SW	CONN. ENCODER INC ELBOW	\$82
M-2116-2036	REN - HSK A32 SHANK MP15 L43	\$740	MS3108A22-22S	PWR PLUG, ELBOW	\$82
M-2197-0150	REN - HPRA/HPPA/HPMA BREAK STEM	\$25	MS3108B10SL-3S	CONN, FAN/BRAKE 3P ELBOW	\$18
M-2197-0156	REN - HPRA/HPPA/HPMA BREAK STEM	\$25	MS3108B10SL-4S	CONN, FAN/BRAKE 2P ELBOW	\$16
M-2253-0207	REN - NC1 AIR PIPE PROTECTOR 7MM DI	\$25	MS3108B18-10S	CONNECTOR, CANNON	\$31
M-2253-0225	REN - SLIDING COVER FOR NC1 TX	\$25	MS3108B20-29S	CONN, SEPARATE ENCODER ELBOW	\$35
M-2253-0691	REN - NC1 SEPARATE VMC BRACKET T-NU	\$25	MS3108B20-29SW	CONN, MTR ENC 17P ELBOW	\$34
M-2253-0954-RI	REN - CAT 40 TOOL SETTING CALIBRATI	\$342	MS3108B22-14S	CONN, MTR ENC 19P ELBOW	\$47
M-2275-0076	REN - HPPA/HPMA PROBE ENCLOSURE SEA	\$30	MS3108B22-22S	CONN, MTR PWR 4P ELBOW	\$33
M-4071-0044	REN - HSK E25 SHANK OMP40	\$447	MS3108B24-10S	CONNECTOR	\$62
M-4071-0045	REN - HSK A32 SHANK OMP40	\$447	MS3108R10SL-4S	CONN ENV/O RING BRK FAN ELBOW	\$46
M-4071-0046	REN - HSK A40 SHANK OMP40	\$447	MS3108R18-10S	CONN ENVIR O-RING ELBOW	\$93
M-4071-0047	REN - HSK A50 SHANK OMP40	\$603	MS3108R22-14S	CONN ENV ABS/HI ELBOW ENCODER	\$119
M-4071-0048	REN - ISO30 DIN69871 SHANK OMP40	\$384	MS3108R22-22S	CONNECTOR, ENVIRONMENTAL EL	\$89
M-4071-0049	REN - BT30 SHANK OMP40	\$395	MS3108R24-10S	CONN ENVIR O-RING ELBOW	\$225
M-4071-0050	REN - CAT30 SHANK OMP40	\$384	MS3420-4	BUSHING FOR MS3106F CONNECTORS	\$2
M-4071-0054	REN - HSK E40 SHANK OMP40	\$447	MS3420-8	BUSHING	\$2
M-4071-0055	REN - HSK E32 SHANK OMP40	\$447	OMP40-NS-KIT	REN - OMP40 HARDWARE KIT ONLY	\$5,693
M-4071-0056	REN - *** USE PART NO. M-4071-0045	\$900	QCR1015	CKT BRKR, 1P 120VAC 15A UL LISTED BLACK	\$41
M-4071-0057	REN - BT40 SHANK OMP40	\$342	QCR1030	1P 120VAC 30A UL LISTED BLACK	\$44
M-4071-0058	REN - CAT40 SHANK OMP40	\$342	QCR1040	1P 120VAC 40A UL LISTED BLACK	\$40
M-5000-7587	REN - SCREW FOR CRANKED STYLJUS	\$5	QCR2030	2P 120VAC 30A UL LISTED BLACK	\$88
M-5003-4670	REN - STYLJUS CRANK D4.5/M4 L38.1	\$163	QCR2030A	CIR. BRKR. 2P 120VAC 30A UL LISTED BLACK	\$83
METV	ELECTRONIC TIMING RELAY	\$157	QCR2050	2P 120VAC 50A UL LISTED BLACK	\$88
MG17414	CIRCUIT BREAKER, 1P, 5A, 480/277VAC	\$48	QCR3015	3P, 15A, 240V, UL489	\$306
MG17459	CB 2P 60A 480Y/277VAC D CURVE	\$129	USCH411AA	USE 411AA WHEN OUT	\$36
MG18276	CIRCUIT BREAKER, 2P, 15A, 480/277VAC	\$203	USCH511AP	USE 511AP WHEN OUT	\$47
MG18277	CIRCUIT BREAKER, 2P, 30A, 480/277VAC	\$189			
MG24112	CIRCUIT BREAKER, 1P 3A 65VOC	\$48			
MG24427	CIRCUIT BREAKER 1P 3A 65VOC C-CURVE	\$108			
MG24430	CIRCUIT BREAKER, 1P, 5A, 480/277VAC	\$48			
MG24432	CIRCUIT BREAKER,1P, 10A 480/277VAC	\$48			
MG24433	CIRCUIT BREAKER, 1P, 13A, 480/277VAC	\$48			
MG24525	CIRCUIT BREAKER, 2P, 20A 480/277VAC	\$61			
MG27345	CIRCUIT BRKR. 2P, 16A, 480/277VAC	\$50			
MG27347	CIRCUIT BREAKER, 2P, 25A, 480/277VAC	\$129			
MG27348	CIRCUIT BREAKER, 2P 32A 480/277VAC	\$50			
MG27349	CIRCUIT BREAKER, 2P, 40A 480/277VAC	\$46			
MG43821	CIRCUIT BREAKER HANDLE 711645	\$335			
MH2195100A-G01R01	Mold Heat MH219510A-G01R01	\$15,544			
MH219510A-G01R01	Mold Heat MH219510A-G01R01	\$15,544			
MP10-C40-KIT	MP10 HW KIT WITH CAT 40 SHANK	\$6,031			
MP10-C50-KIT	MP10 HW KIT WITH CAT 50 SHANK	\$6,031			
MP10-NS-KIT	REN - MP10 HW ONLY KIT	\$5,693			
MP11-NS-KIT	REN - MP11 NO SHANK PROBE KIT	\$3,317			
MP12-NS-KIT	REN - MP12 HW ONLY KIT	\$4,633			
MP18-F-NS-KIT	REN - MP18-F-NS-KIT	\$8,596			
MP700-B50-KIT	MP700 H/W ONLY KIT WITH BT50 SHANK	\$6,738			
MP700-C50-KIT	MP700 H/W ONLY KIT WITH CAT50 SHANK	\$6,738			

RENEWAL PARTS  
PRICING

D-98



FANUC CNC Parts



---

***Global Reach with Local Presence***

We reach out to our customers through a worldwide network of manufacturing, sales, distribution, service and support.

---

***GE Fanuc Automation Information Centers***

***USA and the Americas: 1-800-GE FANUC  
or (434) 978-5100***

***Europe, Middle East and Africa: (352) 727979-1***

***Asia Pacific: 86-21-322-4555***

---

***Additional Resources***

For more information, please visit the GE Fanuc web site at:

***[www.gefanuc.com/cnc](http://www.gefanuc.com/cnc)***

