

LISTEN.
THINK.
SOLVE.SM



SIGNAL SOLUTIONS

Improving Indication Loud and Clear



BULLETIN 855B ROUND INDUSTRIAL BEACONS

The Allen-Bradley family of Round Industrial Beacons is available in three sizes: 90 mm, 120 mm, and 160 mm diameters. All sizes are available in steady halogen, flashing halogen, strobe, and rotating halogen versions for flexibility in your application. These highly visible modular beacons are also easy to install. The Allen-Bradley 855B round industrial beacons offers a wide range of mounting options, voltages, and colors.



BULLETIN 855P PANEL MOUNT ALARMS

The new Allen-Bradley panel mount alarms offer a high level of environmental integrity to your panel with UL type 4/4X/13, IP65 ratings. The 855P family offers a visual and acoustic signaling solution that compliments Allen-Bradley push button products.

BULLETIN 855E, 855D, AND 855T CONTROL TOWER™ STACK LIGHTS

Control Tower™ Stack Lights are available in 30 mm, 50 mm, and 70 mm with UL Type 4/4X/13, IP65 ratings. They offer visual and audible indication to enhance safety and increase productivity in your environment. From the simplest to the most challenging applications, Control Tower Stack Lights provide indication of your application status.



BULLETIN 855B AND 855H INDUSTRIAL HORNS AND BEACONS

The family of surface or wall mount industrial electronic horns and beacons is designed to meet worldwide signaling requirements with UL Type 3R ratings. The 855H Industrial Horns offer multi-tone and volume control capabilities in each device. The horns are available as stand-alone devices or with high visibility beacons attached.



Panel Mount Signaling Devices

- Bulletin 855P Sounders Page 2
- Bulletin 855PC Sounders with LED Page 3
- Bulletin 855PS Strobes Page 4
- Bulletin 855PB Selectable Steady or Flashing LED Page 5
- Bulletin 855PD Dual Circuit Alarms Page 6



Industrial Horns

- Bulletin 855H Horns Page 9
- Bulletin 855H Horns with Beacons Page 10



Industrial Beacons

- Bulletin 855B Mini-Square Beacons Page 14
- Bulletin 855BS 90 mm Round Beacons Page 16
- Bulletin 855BM 120 mm Round Beacons Page 18
- Bulletin 855BL 160 mm Round Beacons Page 19



30 mm Control Tower™ Stack Lights

- Bulletin 855D Stack Lights Page 26



50 mm Control Tower™ Stack Lights

- Bulletin 855E Stack Lights Page 31



70 mm Control Tower™ Stack Lights

- Bulletin 855T Stack Lights Page 39

Panel Mount Signaling Devices

Overview/Product Selection



Bulletin 855P — Panel Mount Signaling Products

- Mounts in Standard 22.5 mm Hole
- Watertight Panel Alarms in 3 Different Sizes
- Sound Output Ranging from 80 dB @ 1 Meter to 105 dB @ 1 Meter
- IP65 Environmental Rating
- UL Type 4/4X/13
- Selectable Continuous or Pulsing Tone on 30 mm and 45 mm
- Selectable Continuous, Wobble or Pulsing Tone on 65 mm
- Combination Sounder and LED products
- Panel Mount Strobe or LED Indicator products
- Plug-in Terminal Blocks, IP2X Rated

Table of Contents

Product Selection this page
 Accessories..... 6
 Specifications..... 7
 Approximate Dimensions..... 8
Standards Compliance and Certifications
 EN 60947-5-1
 EN 61000-6-2
 EN 50081-2
 UL 508
 CSA 22.2 No. 14
 cULus Listed (File No. E14840, Guide No. NKCR)
 CE Marked

Product Selection

Bulletin 855P — Panel Mount Sounder

855P – $\frac{B}{a}$ $\frac{10}{b}$ $\frac{ME}{c}$ $\frac{22}{d}$



30 mm Panel Mount Sounder



45 mm Panel Mount Sounder



65 mm Panel Mount Sounder

a

Housing Color	
Code	Description
B	Black

b

Voltage	
Code	Description
30	12...24V AC/DC
10	120V AC
20	240V AC

c

Size	
Code	Description
SE	30 mm
ME	45 mm
LE	65 mm

d

Mounting Hole	
Code	Description
22	22.5 mm

Housing Color	Voltage	Size	Cat. No.
Black	12...24V AC/DC	30 mm	855P-B30SE22
		45 mm	855P-B30ME22
		65 mm	855P-B30LE22
	120V AC	30 mm	855P-B10SE22
		45 mm	855P-B10ME22
		65 mm	855P-B10LE22

Bulletin 855PC — Panel Mount Sounder with LED

855PC – $\frac{B}{a}$ $\frac{10}{b}$ $\frac{ME}{c}$ $\frac{3}{d}$ $\frac{22}{e}$



45 mm Panel Mount Sounder with LED 65 mm Panel Mount Sounder with LED

a

Housing Color	
Code	Description
B	Black

c

Size	
Code	Description
ME	45 mm
LE	65 mm

d

Lens Color	
Code	Description
3	Green
4	Red
5	Amber
6	Blue
7	Clear
8	Yellow

b

Voltage	
Code	Description
12	12V AC/DC
24	24V AC/DC
10	120V AC
20	240V AC

e

Mounting Hole	
Code	Description
22	22.5 mm

Housing Color	Voltage	Size	Lens Color	Cat. No.
Black	24V AC/DC	45 mm	Green	855PC-B24ME322
			Red	855PC-B24ME422
		65 mm	Green	855PC-B24LE322
			Red	855PC-B24LE422
	120V AC	45 mm	Green	855PC-B10ME322
			Red	855PC-B10ME422
		65 mm	Green	855PC-B10LE322
			Red	855PC-B10LE422

Bulletin 855P
Panel Mount Signaling Devices
 Product Selection, Continued

Bulletin 855PS — Panel Mount Strobe

855PS – $\frac{B}{a}$ $\frac{10}{b}$ $\frac{ME}{c}$ $\frac{3}{d}$ $\frac{22}{e}$



30 mm Panel Mount Strobe



45 mm Panel Mount Strobe



65 mm Panel Mount Strobe

a

Housing Color	
Code	Description
B	Black

b

Voltage	
Code	Description
12	12V AC/DC
24	24V AC/DC
10	120V AC
20	240V AC
30	12...24V AC/DC

c

Size	
Code	Description
SE	30 mm*
ME	45 mm*
LE	65 mm*

d

Lens Color	
Code	Description
3	Green
4	Red
5	Amber
6	Blue
7	Clear
8	Yellow

e

Mounting Hole	
Code	Description
22	22.5 mm

Housing Color	Voltage	Size	Lens Color	Cat. No.
Black	24V AC/DC	30 mm	Green	855PS-B24SE322
			Red	855PS-B24SE422
	12...24V AC/DC	45 mm	Green	855PS-B30ME322
			Red	855PS-B30ME422
		65 mm	Green	855PS-B30LE322
			Red	855PS-B30LE422
	120V AC	30 mm	Green	855PS-B10SE322
			Red	855PS-B10SE422
		45 mm	Green	855PS-B10ME322
			Red	855PS-B10ME422
		65 mm	Green	855PS-B10LE322
			Red	855PS-B10LE422

* Only available in 12V AC/DC, 24V AC/DC, 120V AC, or 240V AC.

* Only available in 12...24V AC/DC, 120V, or 240V AC.



Bulletin 855PB — Panel Mount Selectable Steady or Flashing LED

855PB – $\frac{B}{a}$ $\frac{10}{b}$ $\frac{ME}{c}$ $\frac{3}{d}$ $\frac{22}{e}$



30 mm Panel Mount LED



45 mm Panel Mount LED



65 mm Panel Mount LED

a

Housing Color	
Code	Description
B	Black

c

Size	
Code	Description
SE	30 mm
ME	45 mm
LE	65 mm

d

Lens Color	
Code	Description
3	Green
4	Red
5	Amber
6	Blue
7	Clear
8	Yellow

b

Voltage	
Code	Description
12	12V AC/DC
24	24V AC/DC
10	120V AC
20	240V AC

e

Mounting Hole	
Code	Description
22	22.5 mm

Housing Color	Voltage	Size	Lens Color	Cat. No.
Black	24V AC/DC	30 mm	Green	855PB-B24SE322
			Red	855PB-B24SE422
		45 mm	Green	855PB-B24ME322
			Red	855PB-B24ME422
		65 mm	Green	855PB-B24LE322
			Red	855PB-B24LE422
	120V AC	30 mm	Green	855PB-B10SE322
			Red	855PB-B10SE422
		45 mm	Green	855PB-B10ME322
			Red	855PB-B10ME422
		65 mm	Green	855PB-B10LE322
			Red	855PB-B10LE422

Panel Mount Signaling Devices

Product Selection, Continued/Accessories

Bulletin 855PD — Panel Mount Dual Circuit Alarms

(This product will be available in September 2005)

855PD – B 24 ME F 3 4 22
 a *b* *c* *d* *e* *f* *g*



Half Lens Illumination



Full Lens Illumination



Light and Sound Combination

a

Housing Color	
Code	Description
B	Black

b

Voltage	
Code	Description
12*	12V AC/DC
24	24V AC/DC
10	120V AC
20	240V AC

c

Size	
Code	Description
SE	30 mm*
ME	45 mm
LE	65 mm

d

Function	
Code	Description
F	Full Lens Illumination
H	Half Lens Illumination w/Barrier
C	Light and Sound Combination

e

Lens Color */ Sound	
Code	Description
1	Sound
3	Green
4	Red
5	Amber
6	Blue
7	Clear
8	Yellow

f

Lens Color§	
Code	Description
3	Green
4	Red
5	Amber†
6	Blue
7	Clear
8	Yellow†

g

Mounting Hole	
Code	Description
22	22.5 mm

* Voltage Code 12 is only valid for Sounder with LED devices.

* 30 mm available in 24V DC is only for 2-color versions.

† The color combination of Yellow and Amber is not allowed because of their similarity.

§ For 2-color devices, the first Lens Color Code listed in the Cat. No. corresponds to the same side as the panel tab found on the housing. For example: 855PD-B24MEH4322 indicates that the **Red** Lens Color is on the same side as the panel tab and the **Green** Lens Color is on the opposite side as the panel tab.

The products listed in the table below are typically in stock. Additional configurations (voltage, size, color, and sound) are available with extended leadtimes. Contact your local Allen-Bradley distributor for details on availability and pricing.

Function	Voltage	Size	Color (s)	Cat. No.
Sounder with LED	24V AC/DC	45mm	Green	855PD-B24MEC1322
			Red	855PD-B24MEC1422
	24V AC/DC	65mm	Green	855PD-B24LEC1322
			Red	855PD-B24LEC1422
	120V AC	45mm	Green	855PD-B10MEC1322
			Red	855PD-B10MEC1422
120V AC	65mm	Green	855PD-B10LEC1322	
		Red	855PD-B10LEC1422	
Half-lens, Steady LED Beacon	24V AC/DC	30mm	Red & Green	855PD-B24SEH4322
		45mm	Red & Green	855PD-B24MEH4322
		65mm	Red & Green	855PD-B24LEH4322
	120V AC	45mm	Red & Green	855PD-B10MEH4322
		65mm	Red & Green	855PD-B10LEH4322
		65mm	Red & Green	855PD-B10LEH4322
Full-lens, Steady LED Beacon	24V AC/DC	30mm	Red & Green	855PD-B24SEF3422
		45mm	Red & Green	855PD-B24MEF3422
		65mm	Red & Green	855PD-B24LEF3422
	120V AC	45mm	Red & Green	855PD-B10MEF3422
		65mm	Red & Green	855PD-B10LEF3422
		65mm	Red & Green	855PD-B10LEF3422

Accessories

Description	Cat. No.
22.5...30.5 mm Hole Adapter Kit	855P-AHA1

Panel Sounder and Single/Dual Circuit Panel Sounder with LED

Technical						
Housing:	Base Material	Polycarbonate, black				
	Lens	Polycarbonate, red, amber, yellow, green, blue, and clear				
Protection class	IP65/UL Type 4, 4X, 13					
Terminals	Plug-in terminal block, up to 2.5 mm ² (14 AWG), IP2X					
Operation temperature range	-25...+60 °C					
Storage temperature range	-25...+85 °C					
Mounting	Central mounting for bore holes 22 mm or 30.5 mm with Hole Adapter Kit					
Mounting Nut Torque	1.7 Nm (15 lb-in)					
Electrical						
		Sounder			Sounder with Warning Light	
		65 mm	45 mm	30 mm	65 mm	45 mm
Supply voltage range	12V AC/DC - 50/60 Hz	—	—	—	+/-10%	+/-10%
	24V AC/DC - 50/60 Hz	—	—	—	+/-10%	+/-10%
	12...24V AC/DC - 50/60 Hz	8...26V AC/DC	8...26V AC/DC	10...26V AC/DC	—	—
	120V AC - 50/60 Hz	50...140V AC	50...140V AC	80...140V AC	+/-10%	+/-10%
	230/240V AC - 50/60 Hz	150...260V AC	150...260V AC	180...260V AC	+/-10%	+/-10%
Nominal current — single circuit (dual circuit)	12V AC/DC - 50/60 Hz	—	—	—	50 mA (62 mA)	35 mA (48 mA)
	24V AC/DC - 50/60 Hz	57 mA	20 mA	20 mA	73 mA (95 mA)	58 mA (73 mA)
	120V AC - 50/60 Hz	40 mA	40 mA	20 mA	60 mA (52 mA)	40 mA (51 mA)
	230/240V AC - 50/60 Hz	42 mA	42 mA	20 mA	63 mA (52 mA)	42 mA (51 mA)
Turn-On Leakage Current	≥3 mA	≥3 mA	≥3 mA	≥3 mA	≥3 mA	
Maximum sound level (average)	105 dBA at 1 m	100 dBA at 1 m	80 dBA at 1 m	103 dBA at 1 m	98 dBA at 1 m	
Minimum sound level	<85 dB	<85 dB	—	<85 dB	<85 dB	
Sound level adjustment	Stepless	Stepless	—	Stepless	Stepless	
Sound main frequency	3300 Hz	3300 Hz	3500 Hz	3300 Hz	3300 Hz	
Sound types	Continuous	Yes	Yes	Yes	Yes	Yes
	Pulsing*	Yes	Yes	Yes	Yes	Yes
	Alternating frequency*	Yes	No	No	Yes	No
Sound selection	Externally by terminal connection					
Weight	65 g	35 g	25 g	85 g	55 g	

* Single Circuit only.

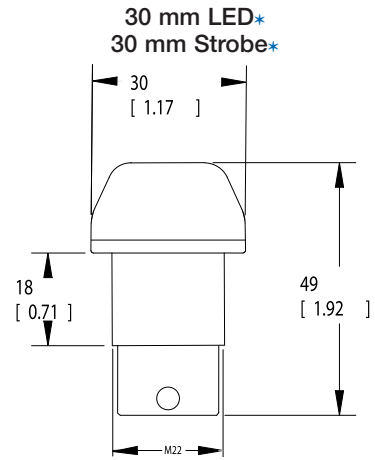
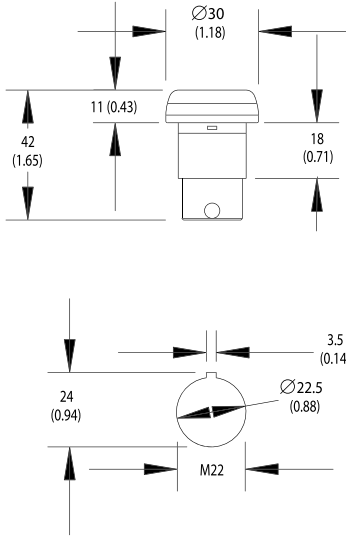
Panel Strobe and Single/Two Color LED Lights

Technical							
Housing:	Base Material	Polycarbonate, black					
	Lens	Polycarbonate, red, amber, yellow, green, blue, and clear					
Protection class	IP65/UL Type 4, 4X, 13, IP2X						
Terminals	Plug-in terminal block, up to 2.5 mm ² (14 AWG)						
Operation temperature range	-25...+60 °C						
Storage temperature range	-25...+85 °C						
Mounting	Central mounting for bore holes 22 mm or 30.5 mm with Hole Adapter Kit						
Mounting Nut Torque	1.7 Nm (15 lb-in)						
Electrical							
		LED — Steady/Flashing			Strobe Light		
		65 mm	45 mm	30 mm	65 mm	45 mm	30 mm
Supply voltage range	12V AC/DC - 50/60 Hz	+/-10%	+/-10%	+/-10%	—	—	+/-10%
	24V AC/DC - 50/60 Hz	+/-10%	+/-10%	+/-10%	—	—	+/-10%
	12...24V AC/DC 50/60 Hz	—	—	—	8...26V AC/DC	8...26V AC/DC	—
	120V AC - 50/60 Hz	+/-10%	+/-10%	+/-10%	+/-10%	+/-10%	+/-10%
	230/240V AC - 50/60 Hz	+/-10%	+/-10%	+/-10%	+/-10%	+/-10%	+/-10%
Nominal current — single color (two color w/ full or half illumination)	12V AC/DC - 50/60 Hz	75 mA	60 mA	30 mA	—	—	15 mA
	24V AC/DC - 50/60 Hz	54 mA (full: 71 mA half: 44 mA)	35 mA (full: 46 mA half: 39 mA)	25 mA (full: 28 mA half: 30 mA)	—	—	10 mA
	12...24V AC/DC 50/60 Hz @ 12V	—	—	—	150 mA	110 mA	—
	12...24V AC/DC 50/60 Hz @ 24V	—	—	—	140 mA	100 mA	—
	120V AC - 50/60 Hz	25 mA (full: 61 mA half: 41 mA)	25 mA (full: 35 mA half: 35 mA)	20 mA	30 mA	20 mA	10 mA
230/240V AC - 50/60 Hz	25 mA (full: 61 mA half: 41 mA)	25 mA (full: 35 mA half: 34 mA)	20 mA	20 mA	12 mA	10 mA	
Turn-on Leakage Current	≥3 mA	≥3 mA	≥3 mA	≥3 mA	≥3 mA	≥3 mA	
Steady/Flashing light	Externally by terminal connection						
Flashing frequency	2 Hz	2 Hz	2 Hz	min. 1.4 Hz	min. 1.4 Hz	min. 1.4 Hz	
Light source	LED			XENON tube			
Flash energy	—	—	—	1 J	0.5 J	—	
Weight	60 g	40 g	40 g	80 g	60 g	40 g	

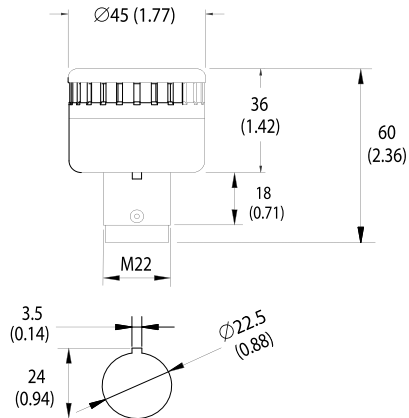
Bulletin 855P
Panel Mount Signaling Devices
Approximate Dimensions

Dimensions in millimeters (inches). Dimensions are not intended to be used for manufacturing purposes.

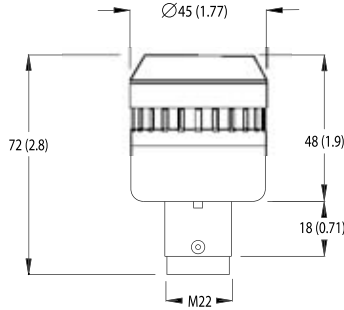
30 mm Sounder*



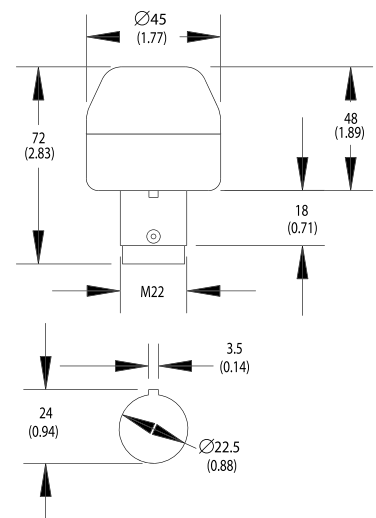
45 mm Sounder*



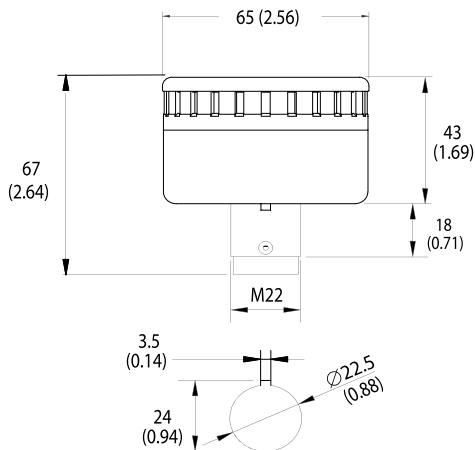
45 mm Sounder with LED*



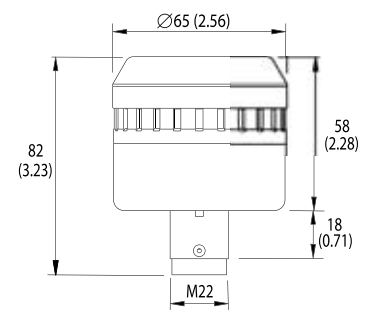
45 mm LED*
45 mm Strobe*



65 mm Sounder*



65 mm LED*
65 mm Sounder*



* Terminal connector adds 14 mm to back of panel depth.
 * Terminal connector adds 9 mm to back of panel depth.



Bulletin 855H — Industrial Horns

- Industrial Electronic Horns with Optional Strobe Beacon
- IP56/UL Type 13/3R
- Decibel Range 100...126 dB
- Up to 45 Selectable Tones
- Up to 3 Individual Circuits in each Horn

Standards Compliance and Certifications

EN/IEC 60947-5-1
 CSA C22.2 No. 2 OS
 CAN/ULC-S526-M87
 UL 464
 UL 1638
 cULus Listed (File No. E197159, Guide No. UEES) and
 (File No. S6583, Guide No. UCST)
 CE Marked

Table of Contents

Industrial Horns this page
 Horns with Beacons . 10
 Accessories..... 11
 Specifications..... 12
 Approximate
 Dimensions..... 13

Product Selection

Industrial Electronic Horns

Multi-circuit, selectable tone horns, for use in general signaling applications.

855H – **B** **D30** **B** **D**
 a **b** **c** **d**



Range "A" Industrial Horn



Range "C" Industrial Horn



Range "E" Industrial Horn

a

Product Type	
Code	Description
B	Industrial Horn

b

Voltage	
Code	Description
D30	10...30V DC
A24	24V AC 50/60 Hz
A10	115V AC 50/60 Hz
A20	230V AC 50/60 Hz

c

Horn Type	
Code	Description
A	100 dB/10 Tone Gray (DC)
	100 dB/10 Tone Gray (AC)
B	104 dB/32 Tone Gray (DC)
	104 dB/32 Tone Gray (AC)
C	112 dB/32 Tone Gray (DC)
	112 dB/32 Tone Gray (AC)
D	119 dB/45 Tone Gray (DC)
	119 dB/45 Tone Gray (AC)
E	126 dB/45 Tone Gray (DC)
	126 dB/45 Tone Gray (AC)

d

Mount Option	
Code	Description
D	Standard Base/Thin-Wall Conduit Feed (C)

Base Color	Sound Output	Supply Voltage	Cat. No.
Gray	100 dB max. at 1 meter, 2 circuit DC/ 1 circuit AC, 10 selectable tones	10...30V DC	855H-BD30AD
		115V AC 50/60 Hz	855H-BA10AD
	104 dB max. at 1 meter, 3 circuit AC or DC, 32 selectable tones	10...30V DC	855H-BD30BD
		115V AC 50/60 Hz	855H-BA10BD
	112 dB max. at 1 meter, 3 circuit AC or DC, 32 selectable tones	10...30V DC	855H-BD30CD
		115V AC 50/60 Hz	855H-BA10CD
	119 dB max. at 1 meter, 3 circuit AC or DC, 45 selectable tones	10...30V DC	855H-BD30DD
		115V AC 50/60 Hz	855H-BA10DD
	126 dB max. at 1 meter, 3 circuit AC or DC, 45 selectable tones	10...30V DC	855H-BD30ED
		115V AC 50/60 Hz	855H-BA10ED

Industrial Electronic Horns with Attached Strobe Beacons

Multi-circuit, selectable tone horns with strobe beacon light for use in general signaling applications.



Range "A" Horn with Beacon



Range "C" Horn with Beacon



Range "E" Horn with Beacon

855H – BC D12 E D R 3
 a b c d e f

a

Product Type	
Code	Description
BC	Horn with Beacon

b

Voltage	
Code	Description
D12	12V DC
D24	24V DC
A24	24V AC 50/60 Hz
A10	115V AC 50/60 Hz
A20	230V AC 50/60 Hz

c

Horn Type	
Code	Description
A	100 dB/10 Tone Gray (DC)
	100 dB/10 Tone Gray (AC)
B	104 dB/32 Tone Gray (DC)
	104 dB/32 Tone Gray (AC)
C	112 dB/32 Tone Gray (DC)
	112 dB/32 Tone Gray (AC)
D	119 dB/45 Tone Gray (DC)
	119 dB/45 Tone Gray (AC)
E	126 dB/45 Tone Gray (DC)
	126 dB/45 Tone Gray (AC)

e

Illuminated Function	
Code	Description
R	5J Strobe



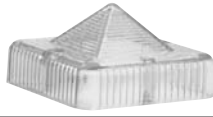
f

Lens Color	
Code	Description
3	Green
4	Red
5	Amber
6	Blue
7	Clear
8	Yellow

d

Mount Option	
Code	Description
D	Standard Base/Thin-Wall Conduit Feed

Base Color	Sound Output	Voltage	Beacon Lens Color	Cat. No.
Gray	100 dB max. at 1 meter 2 circuit DC, 1 circuit AC 10 selectable tones	24V DC	Green	855H-BCD24ADR3
			Red	855H-BCD24ADR4
			Amber	855H-BCD24ADR5
		115V AC 50/60 Hz	Green	855H-BCA10ADR3
			Red	855H-BCA10ADR4
			Amber	855H-BCA10ADR5
	104 dB max. at 1 meter 3 circuit AC or DC 32 selectable tones	24V DC	Green	855H-BCD24BDR3
			Red	855H-BCD24BDR4
			Amber	855H-BCD24BDR5
		115V AC 50/60 Hz	Green	855H-BCA10BDR3
			Red	855H-BCA10BDR4
			Amber	855H-BCA10BDR5
	112 dB max. at 1 meter 3 circuit AC or DC 32 selectable tones	24V DC	Green	855H-BCD24CDR3
			Red	855H-BCD24CDR4
			Amber	855H-BCD24CDR5
		115V AC 50/60 Hz	Green	855H-BCA10CDR3
			Red	855H-BCA10CDR4
			Amber	855H-BCA10CDR5
	119 dB max. at 1 meter 3 circuit AC or DC 45 selectable tones	24V DC	Green	855H-BCD24DDR3
			Red	855H-BCD24DDR4
			Amber	855H-BCD24DDR5
		115V AC 50/60 Hz	Green	855H-BCA10DDR3
			Red	855H-BCA10DDR4
			Amber	855H-BCA10DDR5
126 dB max. at 1 meter 3 circuit AC or DC 45 selectable tones	24V DC	Green	855H-BCD24EDR3	
		Red	855H-BCD24EDR4	
		Amber	855H-BCD24EDR5	
	115V AC 50/60 Hz	Green	855H-BCA10EDR3	
		Red	855H-BCA10EDR4	
		Amber	855H-BCA10EDR5	

		Description	Cat. No.
	Hole Plug Replacement Kit		855H-AHPK
	Description	Type	Cat. No.
	Gasket Set Replacement Kit	Range A, B, and Beacon Light	855H-AGKBAB
		Range C Horn	855H-AGKC
		Range D Horn	855H-AGKD
		Range E Horn	855H-AGKE
	Description	Color	Cat. No.
	Replacement Beacon Light Lens	Red	855B-ABLR
		Green	855B-ABLG
		Amber	855B-ABLA
		Blue	855B-ABLB
		Clear	855B-ABLC
		Yellow	855B-ABLY

Bulletin 855H
Industrial Horns
Specifications

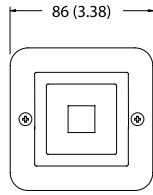
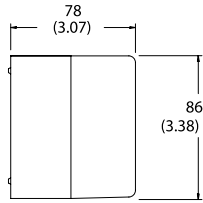
Industrial Electronic Horns and Horns with Strobe Beacons

Mechanical Ratings						
Shock and Vibration		Listed below are reference guidelines for maximum shock and vibration standards for the 855H.				
		Shock		Vibration		
Range "A" Horn		15 G Peak		3 G Peak		
Range "B" Horn		15 G Peak		3 G Peak		
Range "C" Horn		15 G Peak		3 G Peak		
Range "D" Horn		15 G Peak		3 G Peak		
Range "E" Horn		15 G Peak		1 G Peak		
Range "A" Horn with Strobe Beacon		15 G Peak		3 G Peak		
Range "B" Horn with Strobe Beacon		15 G Peak		3 G Peak		
Range "C" Horn with Strobe Beacon		15 G Peak		3 G Peak		
Range "D" Horn with Strobe Beacon		15 G Peak		3 G Peak		
Range "E" Horn with Strobe Beacon		15 G Peak		1 G Peak		
Environmental Ratings						
Ingress Ratings		Electronic Horns		IP56/UL Type 13/Type 3R		
		Horn with Beacon		IP56/UL Type 13/3R		
		Operating		Storage		
Temperature Ranges		Electronic Horns		-40...+167 °F (-40...+75 °C)		
		Horns with Beacons		-40...+167 °F (-40...+75 °C)		
Materials						
Horn Cover		Polycarbonate				
Horn Base		Polycarbonate				
Beacon Housing		Polycarbonate				
Beacon Lens		Polycarbonate				
Gasket (Cover to Base)		Nitrile 70				
Gasket (Enclosure back to wall)		Nitrile 70				
Gasket (Horn to Beacon)		Nitrile 70				
Gasket (Screw Mounting Hole)		Fiber				
Certifications						
cULus File Number						
Horns and Horn with Beacon Lights		S6583				
CE		EN 60947-5-1, EN 50081-1				
Performance Ratings						
		Sound Output				
Range "A" Horn		100 dB max. at 1 meter				
Range "B" Horn		104 dB max. at 1 meter				
Range "C" Horn		112 dB max at 1 meter				
Range "D" Horn		119 dB max at 1 meter				
Range "E" Horn		126 dB max at 1 meter				
		Xenon Lamp Rating				
Strobe Beacon		5 Joule Output				
Operating Voltage						
		DC Voltage		AC Voltage		
All Horns		10...30V DC		24V AC 50/60 Hz (+/-10%)	115V AC 50/60 Hz (+/-10%) 230V AC 50/60 Hz (+/-10%)	
All Horns with Strobe Beacon		12V DC (+/-10%)	24V DC (+/-10%)	24V AC 50/60 Hz (+/-10%)	115V AC 50/60 Hz (+/-10%) 230V AC 50/60 Hz (+/-10%)	
Current Consumption						
Horns		Range A	Range B	Range C	Range D	Range E
10...30V DC		25 mA	25 mA	25 mA	200 mA	950 mA
24V AC 50/60 Hz		40 mA	40 mA	40 mA	500 mA	1000mA
115V AC 50/60 Hz		13 mA	20 mA	20 mA	100 mA	240 mA
240V AC 50/60 Hz		13 mA	15 mA	15 mA	60 mA	120 mA
Horns with Strobe Beacon						
12V DC		525 mA	525 mA	525 mA	700 mA	1450 mA
24V DC		275 mA	275 mA	275 mA	450 mA	1200 mA
24V DC		405 mA	405 mA	405 mA	865 mA	1200 mA
115V AC		113 mA	120 mA	120 mA	200 mA	240 mA
240V AC		63 mA	65 mA	65 mA	110 mA	170 mA
Flashing Frequency						
Strobe Beacon		1 Hz				

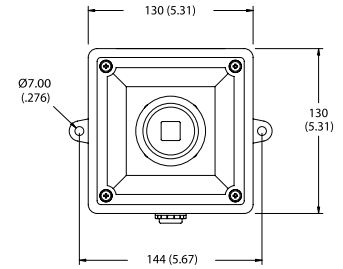
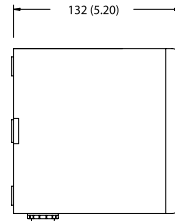
Dimensions in millimeters (inches). Dimensions are not intended to be used for manufacturing purposes.

Horns

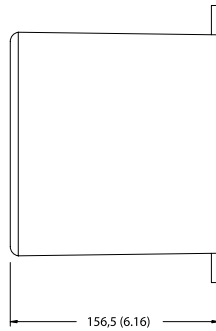
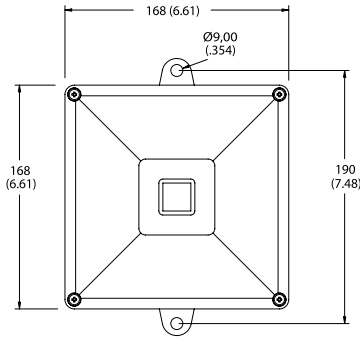
Range A&B



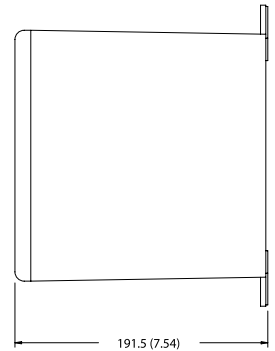
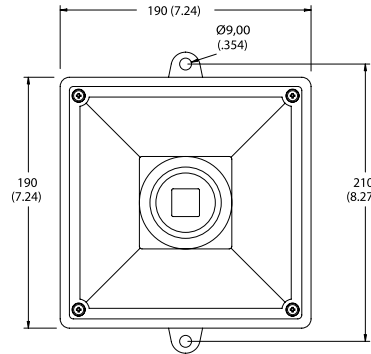
Range C



Range D

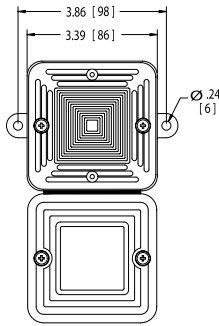
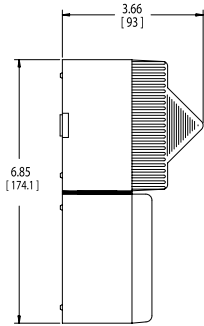


Range E

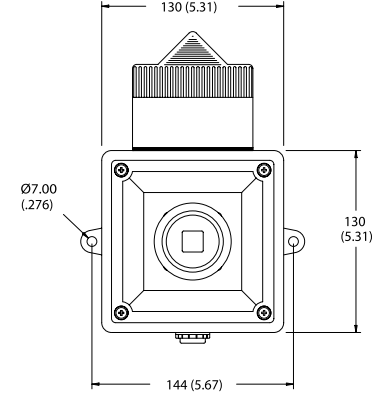
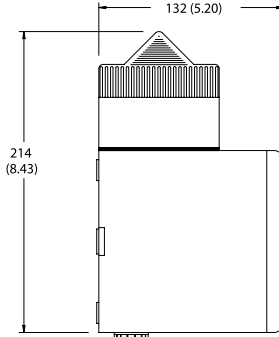


Horns with Beacons

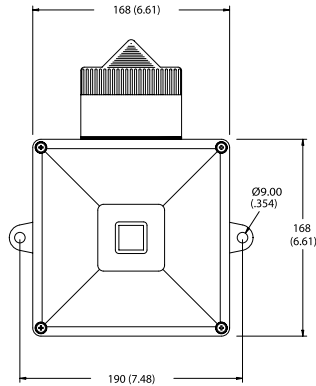
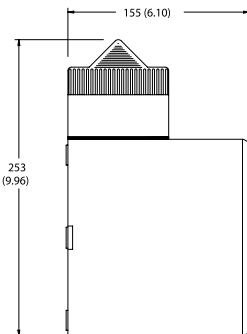
Range A&B



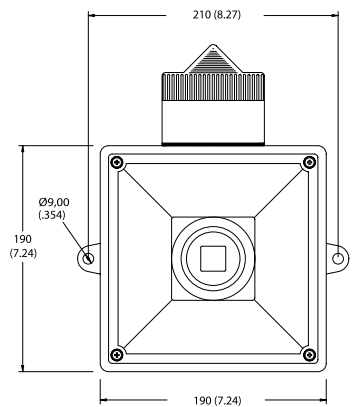
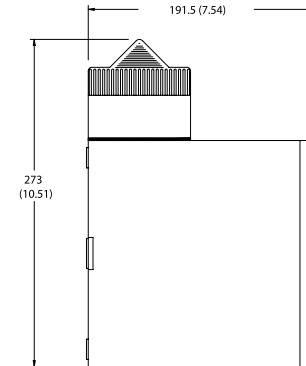
Range C



Range D



Range E



	<p>Bulletin 855B — Mini Square Beacons</p> <ul style="list-style-type: none"> • High Intensity 5 Joule Strobe Beacon • IP66/UL Type 13/3R <p>Standards Compliance and Certifications</p> <p>EN/IEC 60947-5-1 CSA C22.2 No. 2 OS CAN/ULC-S526-M87 UL 464 UL 1638</p> <p>cULus Listed (File No. E197159, Guide No. UEES) and (File No. S6583, Guide No. UCST), CE Marked</p>	<p>Table of Contents</p> <p>Product Selection this page Specifications..... 15 Approximate Dimensions..... 15</p>
---	---	---

Product Selection

Mini square 5 Joule strobe beacons for general signaling applications. Bases accept conduit connections in side and back of enclosure.

855B - G MS 12 R 3
 a b c d e

a

Housing/Color	
Code	Description
G	Gray

b

Beacon Type	
Code	Description
MS	Mini-Square Beacon

c

Voltage	
Code	Description
12	12V AC/DC
24	24V AC/DC
10	115V AC 50/60 Hz
20	230V AC 50/60 Hz

d


Illumination Type	
Code	Description
R	5J Strobe

e

Lens Color	
Code	Description
3	Green
4	Red
5	Amber
6	Blue
7	Clear
8	Yellow

Base Color	Supply Voltage	Lens Color	Cat. No.
Gray	24V AC/DC	Green	855B-GMS24R3
	115V AC 50/60 Hz.		855B-GMS10R3
	24V AC/DC	Red	855B-GMS24R4
	115V AC 50/60 Hz.		855B-GMS10R4
	24V AC/DC	Amber	855B-GMS24R5
	115V AC 50/60 Hz.		855B-GMS10R5
	24V AC/DC	Blue	855B-GMS24R6
	115V AC 50/60 Hz.		855B-GMS10R6
	24V AC/DC	Clear	855B-GMS24R7
	115V AC 50/60 Hz.		855B-GMS10R7
	24V AC/DC	Yellow	855B-GMS24R8
	115V AC 50/60 Hz.		855B-GMS10R8

Accessories

	Description	Color	Cat. No.
	Replacement Beacon Light Lens	Red	855B-ABLR
		Green	855B-ABLG
		Amber	855B-ABLA
		Blue	855B-ABLB
		Clear	855B-ABLC
		Yellow	855B-ABLY

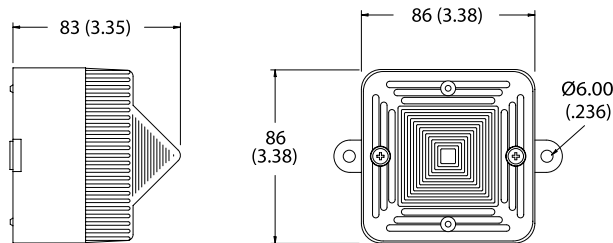
Specifications

Mechanical Ratings				
Shock and Vibration	Listed below are reference guidelines for maximum shock and vibration standards for the 855B Beacon Lights.			
	Shock		Vibration	
All Strobe Beacons	50 G Peak		5 G Peak	
Environmental Ratings				
Ingress Ratings	IP66/UL Type 13/3R			
Operating Temperature Ratings — All Strobe Beacons	-4...+122 °F (-20...+50 °C)			
Materials				
Housing	Polycarbonate			
Base	Polycarbonate			
Gaskets	Nitrile 70			
Certifications				
cULus File Number	E197159			
CE	EN 60947-5-1, EN50081-1			
Performance Ratings				
	Xenon Lamp Rating			
All Strobe Beacons	5 Joule			
Operating Voltage				
All Strobe Beacons	12V AC/DC (+/-10%)	24V AC/DC 230V (+/-20%)	120V AC 50/60 Hz (+/-10%)	230V AC 50/60 Hz. (+/- 10%)
Current Consumption				
All Strobe Beacons	12V AC/DC 400 mA/500 mA	24V AC/DC 365 mA/250 mA	120V AC 100 mA	230V AC 50 mA
Flashing Frequency				
All Strobe Beacons	1 Hz			

Approximate Dimensions


Dimensions in millimeters (inches). Dimensions are not intended to be used for manufacturing purposes.

Mini Square Beacon



Round Beacons

Overview/Product Selection

	<p>Bulletin 855BS/855BM/855BL — Round Beacons</p> <ul style="list-style-type: none"> • UL Type 4/4X/13, IP65 • 90 mm, 120 mm, or 160 mm Diameters • Xenon function: Strobe • 6 Colors available • User selectable Rotation Speed (90 or 180 rpm) on Rotating version • Surface, NPT conduit, or Tube Mounting options • Halogen functions: Steady, Flashing, or Rotating <p>Standards Compliance and Certifications</p> <p>EN 60947-5-1, EN61000-6-2, EN 50081-2 UL 508 CSA 22.2 No. 14 cULus Listed (File No. E14840, Guide No. NKCR) CE Marked</p>	<p>Table of Contents</p> <p>90 mm Beacons this page 120 mm Beacons 18 160 mm Beacons 19 Accessories..... 20 Specifications..... 22 Approximate Dimensions 23</p>
---	---	--

Product Selection

Bulletin 855BS — 90 mm Beacons

855BS – S 10 RH 3
 a b c d e

a

Base Type	
Code	Description
S	Surface Mount*
N	1/2 in NPT Conduit Mount
T	25 mm Tube Mount§

b

Network Options	
Code	Description
Blank	Standard

c

Voltage	
Code	Description
12	12V AC/DC
24	24V AC/DC
10	120V AC
20	240V AC

d

Function	
Code	Description
DH	Steady Halogen
FH	Flashing Halogen
RH	Rotating Halogen
BR	Strobe‡

e

Lens Color	
Code	Description
3	Green
4	Red
5	Amber
6	Blue
7	Clear
8	Yellow

* Surface Mount Base must be installed with Rough Wall Plate for UL Type 4/4X/13 rating, otherwise UL Type 1 only.
 ‡ Not available in 12V AC/DC.
 § 25 mm Tube Mount is UL recognized.

90 mm Beacons

Base Type	Voltage	Function	Color	Cat. No.
Surface Mount*	24V AC/DC	Steady Halogen	Red	855BS-S24DH4
			Amber	855BS-S24DH5
			Blue	855BS-S24DH6
		Rotating Halogen	Red	855BS-S24RH4
			Amber	855BS-S24RH5
			Blue	855BS-S24RH6
		Strobe	Red	855BS-S24BR4
			Amber	855BS-S24BR5
			Blue	855BS-S24BR6
	120V AC	Steady Halogen	Red	855BS-S10DH4
			Amber	855BS-S10DH5
			Blue	855BS-S10DH6
		Rotating Halogen	Red	855BS-S10RH4
			Amber	855BS-S10RH5
			Blue	855BS-S10RH6
		Strobe	Red	855BS-S10BR4
			Amber	855BS-S10BR5
			Blue	855BS-S10BR6
1/2 in NPT Conduit Mount	24V AC/DC	Steady Halogen	Red	855BS-N24DH4
			Amber	855BS-N24DH5
			Blue	855BS-N24DH6
		Rotating Halogen	Red	855BS-N24RH4
			Amber	855BS-N24RH5
			Blue	855BS-N24RH6
		Strobe	Red	855BS-N24BR4
			Amber	855BS-N24BR5
			Blue	855BS-N24BR6
	120V AC	Steady Halogen	Red	855BS-N10DH4
			Amber	855BS-N10DH5
			Blue	855BS-N10DH6
		Rotating Halogen	Red	855BS-N10RH4
			Amber	855BS-N10RH5
			Blue	855BS-N10RH6
		Strobe	Red	855BS-N10BR4
			Amber	855BS-N10BR5
			Blue	855BS-N10BR6
Clear	855BS-N10BR7			

* Surface Mount Base must be installed with Rough Wall Plate for UL Type 4/4X/13 rating, otherwise UL Type 1 only.

Round Beacons

Product Selection, Continued

Bulletin 855BM 120 mm Beacons

855BM – S 10 FH 4
 a *b* *c* *d* *e*

a

Base Type	
Code	Description
S	Surface Mount*
N	1/2 in NPT Conduit Mount
T	25 mm Tube Mount

b

Network Options	
Code	Description
Blank	Standard

c

Voltage	
Code	Description
12	12V AC/DC
24	24V AC/DC
10	120V AC
20	240V AC

d

Function	
Code	Description
DH	Steady Halogen
FH	Flashing Halogen
RH	Rotating Halogen
BR	Strobe‡

e

Lens Color	
Code	Description
3	Green
4	Red
5	Amber
6	Blue
7	Clear
8	Yellow

* Surface Mount Base must be installed with Rough Wall Plate for UL Type 4/4X/13 rating, otherwise UL Type 1 only.

‡ Not available in 12V AC/DC.

Base Type	Voltage	Function	Color	Cat. No.
Surface Mount*	24V AC/DC	Steady Halogen	Red	855BM-S24DH4
			Amber	855BM-S24DH5
			Blue	855BM-S24DH6
		Rotating Halogen	Red	855BM-S24RH4
			Amber	855BM-S24RH5
			Blue	855BM-S24RH6
		Strobe	Red	855BM-S24BR4
			Amber	855BM-S24BR5
			Blue	855BM-S24BR6
	120V AC	Steady Halogen	Red	855BM-S10DH4
			Amber	855BM-S10DH5
			Blue	855BM-S10DH6
		Rotating Halogen	Red	855BM-S10RH4
			Amber	855BM-S10RH5
			Blue	855BM-S10RH6
		Strobe	Red	855BM-S10BR4
			Amber	855BM-S10BR5
			Blue	855BM-S10BR6
1/2 in NPT Conduit Mount	24V AC/DC	Steady Halogen	Red	855BM-N24DH4
			Amber	855BM-N24DH5
			Blue	855BM-N24DH6
		Rotating Halogen	Red	855BM-N24RH4
			Amber	855BM-N24RH5
			Blue	855BM-N24RH6
		Strobe	Red	855BM-N24BR4
			Amber	855BM-N24BR5
			Blue	855BM-N24BR6
	120V AC	Steady Halogen	Red	855BM-N10DH4
			Amber	855BM-N10DH5
			Blue	855BM-N10DH6
		Rotating Halogen	Red	855BM-N10RH4
			Amber	855BM-N10RH5
			Blue	855BM-N10RH6
		Strobe	Red	855BM-N10BR4
			Amber	855BM-N10BR5
			Blue	855BM-N10BR6
			Clear	855BM-N10BR7

* Surface Mount Base must be installed with Rough Wall Plate for UL Type 4/4X/13 rating, otherwise UL Type 1 only.



Bulletin 855BL 160 mm Beacons

855BL – N 24 DH 5
 a b c d e

a

Base Type	
Code	Description
S	Surface Mount*
N	1 in NPT Conduit Mount
T	30 mm Tube Mount

b

Network Options	
Code	Description
Blank	Standard

c

Voltage	
Code	Description
12	12V AC/DC
24	24V AC/DC
10	120V AC
20	240V AC

d

Function	
Code	Description
DH	Steady Halogen
FH	Flashing Halogen
RH	Rotating Halogen
BR	Strobe†

e

Lens Color	
Code	Description
3	Green
4	Red
5	Amber
6	Blue
7	Clear
8	Yellow

* Surface Mount Base must be installed with Rough Wall Plate for UL Type 4/4X/13 rating, otherwise UL Type 1 only.
 † Not available in 12V AC/DC.

Base Type	Voltage	Function	Color	Cat. No.
Surface Mount	24V AC/DC	Steady Halogen	Red	855BL-S24DH4
			Amber	855BL-S24DH5
			Blue	855BL-S24DH6
		Rotating Halogen	Red	855BL-S24RH4
			Amber	855BL-S24RH5
			Blue	855BL-S24RH6
		Strobe	Red	855BL-S24BR4
			Amber	855BL-S24BR5
			Blue	855BL-S24BR6
	120V AC	Steady Halogen	Red	855BL-S10DH4
			Amber	855BL-S10DH5
			Blue	855BL-S10DH6
		Rotating Halogen	Red	855BL-S10RH4
			Amber	855BL-S10RH5
			Blue	855BL-S10RH6
		Strobe	Red	855BL-S10BR4
			Amber	855BL-S10BR5
			Blue	855BL-S10BR6
1 in NPT Conduit Mount	24V AC/DC	Steady Halogen	Red	855BL-N24DH4
			Amber	855BL-N24DH5
			Blue	855BL-N24DH6
		Rotating Halogen	Red	855BL-N24RH4
			Amber	855BL-N24RH5
			Blue	855BL-N24RH6
		Strobe	Red	855BL-N24BR4
			Amber	855BL-N24BR5
			Blue	855BL-N24BR6
	120V AC	Steady Halogen	Red	855BL-N10DH4
			Amber	855BL-N10DH5
			Blue	855BL-N10DH6
		Rotating Halogen	Red	855BL-N10RH4
			Amber	855BL-N10RH5
			Blue	855BL-N10RH6
		Strobe	Red	855BL-N10BR4
			Amber	855BL-N10BR5
			Blue	855BL-N10BR6
			Clear	855BL-N10BR7

Round Beacons

Accessories

Lamps

855B M - LH 10
 a b c

a

Size	
Code	Description
S	90 mm
M	120 mm
L	160 mm

b

Function	
Code	Description
LH	Halogen

c

Voltage	
Code	Description
12	12V AC/DC
24	24V AC/DC
10	120V AC
20	240V AC

Lenses

855B L - AFL 4
 a b c

a

Size	
Code	Description
S	90 mm
M	120 mm
L	160 mm

b

Function	
Code	Description
ASL	Replacement Smooth Lens ‡
AFL	Replacement Fresnel Lens

‡ Smooth lens for rotating function only.

c

Lens Color	
Code	Description
3	Green
4	Red
5	Amber
6	Blue
7	Clear
8	Yellow

Power Module Assemblies

855B L - ARA 10
 a b c

a

Size	
Code	Description
S	90 mm
M	120 mm
L	160 mm

b

Function	
Code	Description
ARA	Replacement Rotating Power Module
ADA	Replacement Steady Power Module
AFA	Replacement Flashing Power Module
ABA	Replacement Strobe Power Module

c

Voltage	
Code	Description
12	12V AC/DC
24	24V AC/DC
10	120V AC
20	240V AC

Miscellaneous Accessory and Replacement Parts

855B M - LS
 a b

a

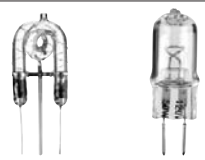










Size	
Code	Description
S	90 mm
M	120 mm
L	160 mm

b

Function	
Code	Description
ALSG	Lens Gaskets (bag of 5)
AMM	Magnetic Mount
ASFG	Surface Mount Gaskets (bag of 5)
AMTG	Metric Tube Gaskets (bag of 5)
AWP	Rough Wall Plate*
AVM	Vertical Bracket
LS	Strobe Tube (120 mm or 160 mm only)
ABS	Surface Mount Base*
ABN	NPT Conduit Mount Base
ABT	Tube Mount Base

* Required for UL Type 4/4X/13 rating when using Surface Mount Base.

* Surface Mount Base must be installed with Rough Wall Plate for UL Type 4/4X/13 rating, otherwise UL Type 1 only.

	Description	Voltage	90 mm	120 mm	160 mm	
	Replacement Lamps		Cat. No.	Cat. No.	Cat. No.	
	Strobe Tube		—	855BM-LS	855BL-LS	
	Halogen	12V AC/DC	855BS-LH12	855BM-LH12	855BL-LH12	
		24V AC/DC	855BS-LH24	855BM-LH24	855BL-LH24	
120V AC		855BS-LH10	855BM-LH10	855BL-LH10		
240V AC		855BS-LH20	855BM-LH20	855BL-LH20		
	Description	Lens Color	90 mm	120 mm	160 mm	
	Replacement Lenses		Cat. No.	Cat. No.	Cat. No.	
	Smooth Lens — Rotating Beacon only	Green	855BS-ASL3	855BM-ASL3	855BL-ASL3	
		Red	855BS-ASL4	855BM-ASL4	855BL-ASL4	
		Amber	855BS-ASL5	855BM-ASL5	855BL-ASL5	
		Blue	855BS-ASL6	855BM-ASL6	855BL-ASL6	
		Clear	855BS-ASL7	855BM-ASL7	855BL-ASL7	
		Yellow	855BS-ASL8	855BM-ASL8	855BL-ASL8	
		Fresnel Lens — Steady, Flashing, or Strobe	Green	855BS-AFL3	855BM-AFL3	855BL-AFL3
			Red	855BS-AFL4	855BM-AFL4	855BL-AFL4
	Amber	855BS-AFL5	855BM-AFL5	855BL-AFL5		
	Blue	855BS-AFL6	855BM-AFL6	855BL-AFL6		
	Clear	855BS-AFL7	855BM-AFL7	855BL-AFL7		
	Yellow	855BS-AFL8	855BM-AFL8	855BL-AFL8		
		Description	Voltage	90 mm	120 mm	160 mm
		Power Modules†		Cat. No.	Cat. No.	Cat. No.
		Rotating Power Module	12V AC/DC	855BS-ARA12	855BM-ARA12	855BL-ARA12
			24V AC/DC	855BS-ARA24	855BM-ARA24	855BL-ARA24
120V AC			855BS-ARA10	855BM-ARA10	855BL-ARA10	
240V AC	855BS-ARA20		855BM-ARA20	855BL-ARA20		
	12V AC/DC	855BS-ADA12	855BM-ADA12	855BL-ADA12		
	24V AC/DC	855BS-ADA24	855BM-ADA24	855BL-ADA24		
	120V AC	855BS-ADA10	855BM-ADA10	855BL-ADA10		
	240V AC	855BS-ADA20	855BM-ADA20	855BL-ADA20		
	Flashing Power Module	12V AC/DC	855BS-AFA12	855BM-AFA12	855BL-AFA12	
		24V AC/DC	855BS-AFA24	855BM-AFA24	855BL-AFA24	
		120V AC	855BS-AFA10	855BM-AFA10	855BL-AFA10	
		240V AC	855BS-AFA20	855BM-AFA20	855BL-AFA20	
	24V AC/DC	855BS-ABA24	855BM-ABA24	855BL-ABA24		
	120V AC	855BS-ABA10	855BM-ABA10	855BL-ABA10		
	240V AC	855BS-ABA20	855BM-ABA20	855BL-ABA20		
	Description	90 mm	120 mm	160 mm		
	Replacement Bases	Cat. No.	Cat. No.	Cat. No.		
	Surface Mount Base*	855BS-ABS	855BM-ABS	855BL-ABS		
	NPT Conduit Mount Base	855BS-ABN	855BM-ABN	855BL-ABN		
Tube Mount Base	855BS-ABT	855BM-ABT	855BL-ABT			
	Description	90 mm	120 mm	160 mm		
	Miscellaneous Accessory and Replacement Parts	Cat. No.	Cat. No.	Cat. No.		
	Lens Gaskets (bag of 5)	855BS-ALSG	855BM-ALSG	855BL-ALSG		
	Surface Mount Gaskets (bag of 5)	855BS-ASFG	855BM-ASFG	855BL-ASFG		
	Tube Mount Gaskets (Bag of 5)	855BM-AMTG	855BM-AMTG	855BL-AMTG		
	Magnetic Mount	855BS-AMM	855BM-AMM	855BL-AMM		
	Rough Wall Plate*	855BS-AWP	855BM-AWP	855BL-AWP		
	Vertical Bracket	855BS-AVM	855BM-AVM	855BL-AVM		
Screws and Washers for Rough Wall Plate and Magnetic Mount			855BS-ASCW			
Bonding Kit (Required for bonding between conduit connections)			855BM-ABK			

* Surface Mount Base must be installed with Rough Wall Plate for UL Type 4/4X/13 rating.

* Required for UL Type 4/4X/13 rating when using Surface Mount Base.

† All Power Modules include a lamp.

Round Beacons

Specifications

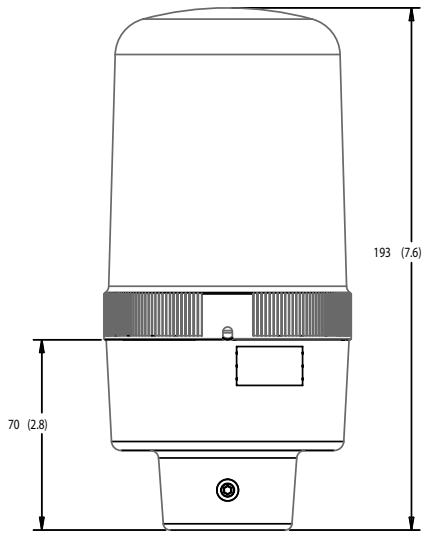
Single Beacon Line

Technical													
Housing	Base material	Polycarbonate											
	Lens (Fresnel)	Polycarbonate, red, amber, yellow, green, blue, and clear											
	Lens (smooth)	Polycarbonate, red, amber, yellow, green, blue, and clear											
	Pole mount base	90 mm: Polycarbonate 120 mm and 160 mm: Aluminum die cast, powder-coated											
	Bracket	Powder-coated steel											
Protection class	IP65/UL Type 4, 4X, 13 (Surface Mount Base must be installed with Rough Wall Plate for UL Type 4/4X/13 rating)												
Terminals (120 mm and 160 mm only)	up to 2.5 mm ² (14 AWG)												
Operation temperature range	-25...+60 °C; -25...+50 °C all rotating versions and 160 mm Steady Halogen												
Storage temperature range	-25...+85 °C												
Mounting	Horizontal surfaces: indoor — direct to the surface, outdoor — with additional metal plate between surface and base part Vertical surfaces: with bracket, for indoor and outdoor Tube or NPT conduit mounting: for indoor and outdoor												
Electrical													
	Steady Halogen			Flashing Halogen			Strobe			Rotating Light			
	160 mm	120 mm	90 mm	160 mm	120 mm	90 mm	160 mm	120 mm	90 mm	160 mm	120 mm	90 mm	
Halogen bulb	50 W	35 W	20 W	50 W	35 W	20 W	—	—	—	50 W	35 W	20 W	
Bulb socket	GY6.35	GY6.35	GY6.35	GY6.35	GY6.35	GY6.35	—	—	—	GY6.35	GY6.35	GY6.35	
Strobe energy	—	—	—	—	—	—	31 J	15 J	7 J	—	—	—	
XENON strobe tube	—	—	—	—	—	—	Helical	Helical	Helical	—	—	—	
Strobe tube socket	—	—	—	—	—	—	Terminals	Terminals	Terminals	—	—	—	
Flashing/Strobe frequency	—	—	—	1 Hz	1 Hz	1 Hz	1 Hz	1 Hz	1 Hz	—	—	—	
Rotating speed - selectable via jumper wire	—	—	—	—	—	—	—	—	—	90/180 rpm	90/180 rpm	90/180 rpm	
Nominal Current	12V AC/DC	4 A	2.9 A	1.6 A	4.2 A	3 A	1.6 A	—	—	—	4.2 A	3.2 A	1.8 A
	24V AC/DC	2.1 A	1.5 A	0.8 A	2.1 A	1.5 A	0.8 A	1.9 A	1.3 A	0.48 A	2.3 A	1.7 A	0.95 A
	110/120V AC 50/60 Hz	0.42 A	0.29 A	0.2 A	0.42 A	0.3 A	0.2 A	0.7 A	0.32 A	0.21 A	0.58 A	0.32 A	0.30 A
	230/240V AC 50 Hz	0.21 A	0.15 A	0.09 A	0.21 A	0.15 A	0.09 A	0.35 A	0.15 A	0.12 A	0.39 A	0.17 A	0.27 A
Weight (Surface Mount)	900 g	500 g	251 g	900 g	500 g	251 g	900 g	500 g	296 g	900 g	500 g	378 g	
Weight (Tube Mount)	900 g	500 g	424 g	900 g	500 g	424 g	900 g	500 g	469 g	900 g	500 g	551 g	

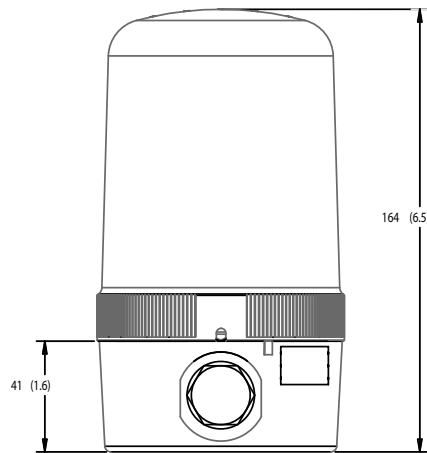


Dimensions in millimeters (inches). Dimensions are not intended to be used for manufacturing purposes.

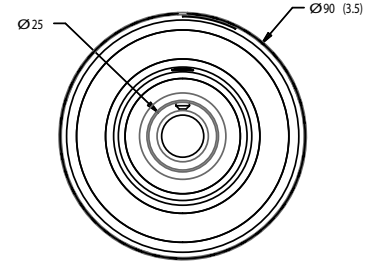
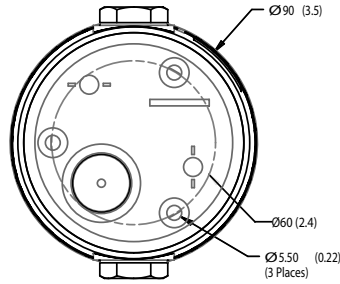
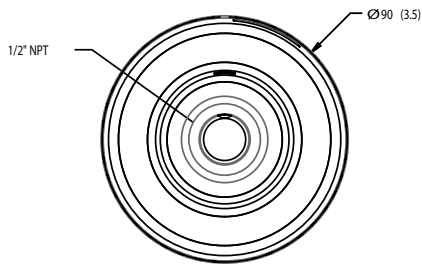
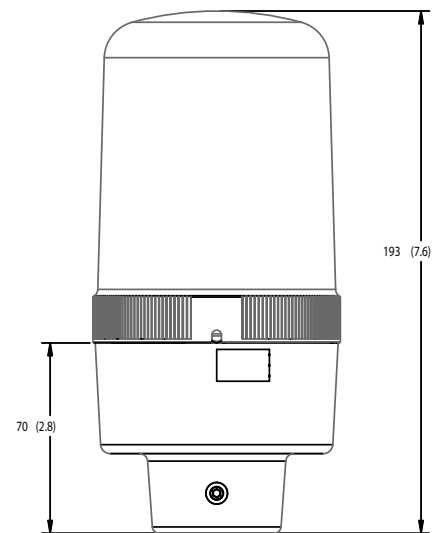
90 mm Beacon NPT Conduit Mount



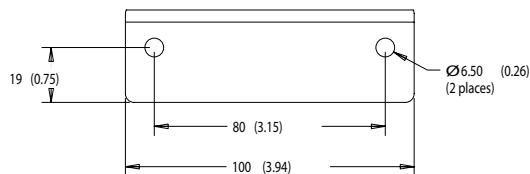
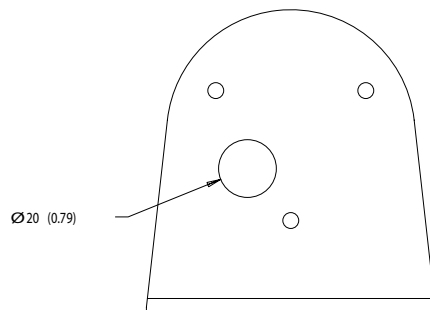
90 mm Beacon Surface Mount



90 mm Beacon Tube Mount



90 mm Beacon Vertical Bracket

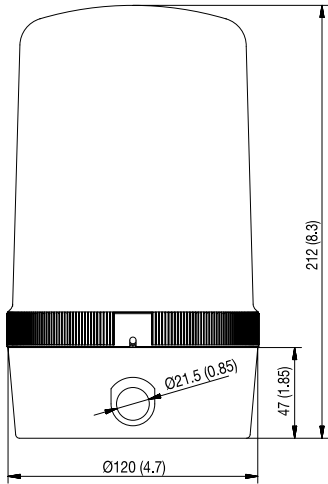


Round Beacons

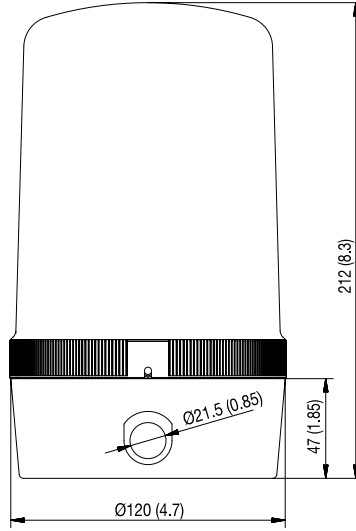
Approximate Dimensions, Continued

Dimensions in millimeters (inches). Dimensions are not intended to be used for manufacturing purposes.

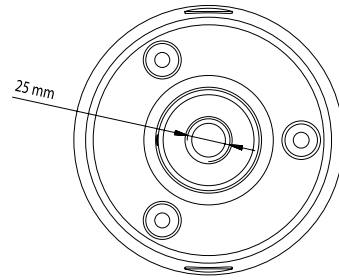
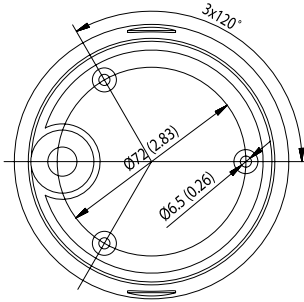
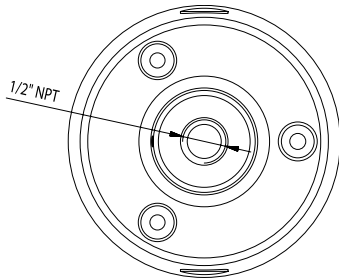
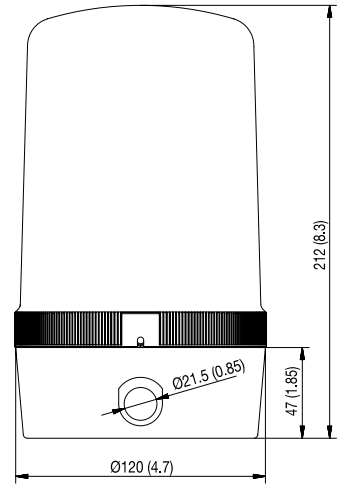
120 mm Beacon NPT Conduit Mount



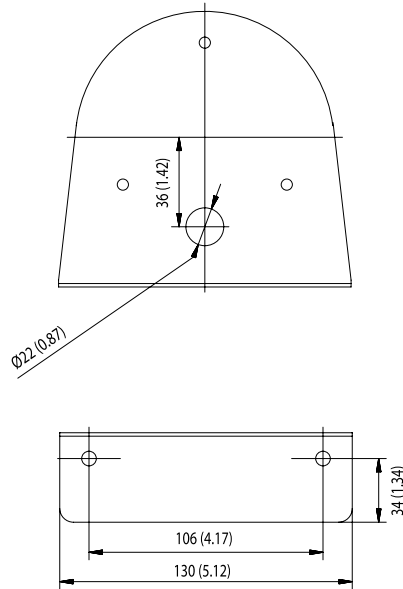
120 mm Beacon Surface Mount



120 mm Beacon Tube Mount

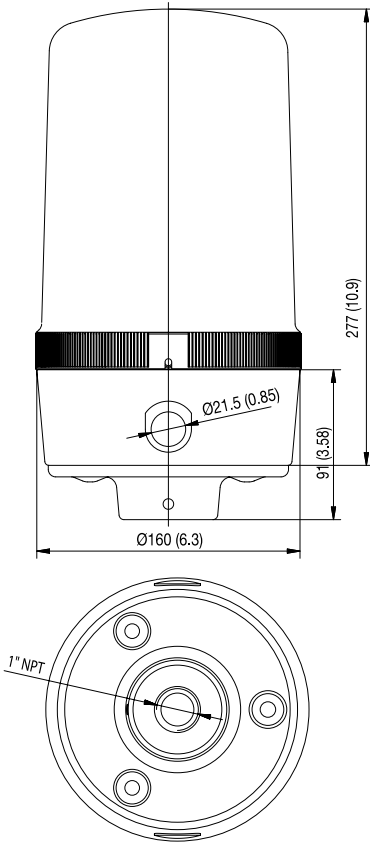


120 mm Beacon Vertical Bracket

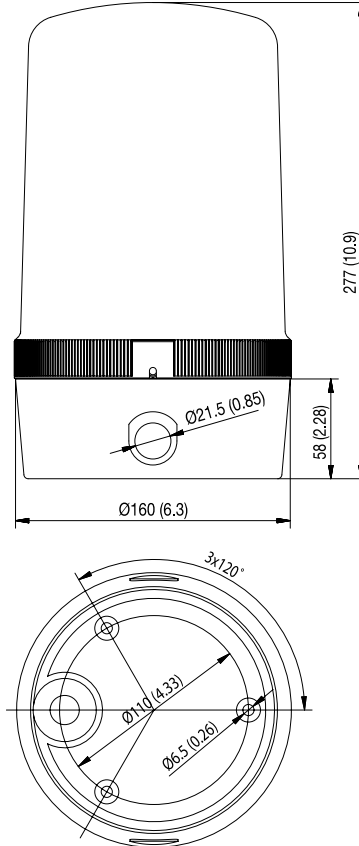


Dimensions in millimeters (inches). Dimensions are not intended to be used for manufacturing purposes.

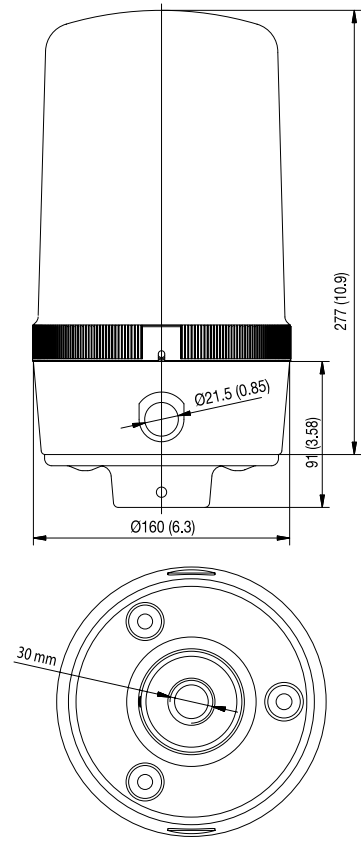
160 mm Beacon NPT Mount



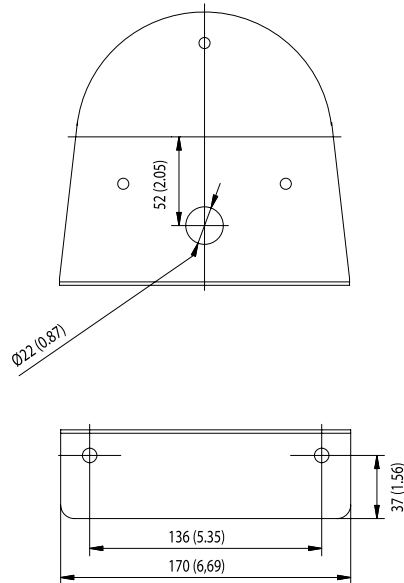
160 mm Beacon Surface Mount



160 mm Beacon Tube Mount



160 mm Beacon Vertical Bracket



30mm Control Tower™ Stack Lights

Product Selection



Bulletin 855D — 30mm Control Tower™ Stack Lights

- Ingress: UL Type 4/4X/13, IP65
- Steady and Flashing LED Light Modules, 24 V
- Continuous or Pulsing Piezo Sound Modules
- Mounting Options include: Surface Mount, Pole with Foot, Metric Tube, and Direct Mount

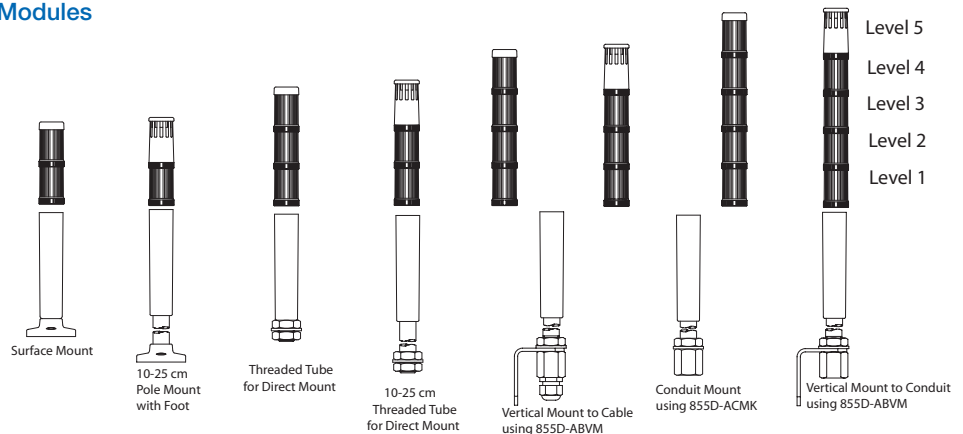
Standards Compliance and Certifications

EN/IEC 60947-5-1
 CSA C22.2 No. 14
 UL 508
 cULus Listed (File No. E14840, Guide No.NKCR2)

Table of Contents

Product Selection this page
 Accessories..... 27
 Specifications..... 28
 Approx. Dimensions and Inst. Dwg..... 29

Pre-Assembled Stacks, One to Five Modules



855D **P00** – **SC20** **B** **24** **Y** **3** **Y** **4** **Y** **5** **L** **7** **P** **1**

a *b* *c* *d* *e* *f* *g* *f* *g* *f* *g* *f* *g* *f* *g*

(Level 1) (Level 2) (Level 3) (Level 4) (Level 5)

f+g *f+g* *f+g* *f+g* *f+g*

a

Base Type	
Code	Description
P00	Surface Mount
P10	10 cm Aluminum Pole Mount with Foot
P25	25 cm Aluminum Pole Mount with Foot
T00	0 cm M20 Metric Threaded Tube for Direct Mount
T10	10 cm M20 Metric Threaded Tube for Direct Mount
T25	25 cm M20 Metric Threaded Tube for Direct Mount

b

Network Option	
Code	Description
Blank	None at this time

c

Cable Connector and Length	
Code	Description
SC20	Stranded Cable, 2 m, yellow jacket

d

Housing Color	
Code	Description
B	Black
G	Gray

e

Voltage	
Code	Description
24	24V AC/DC Full Voltage
10	120V AC Full Voltage
20	240V AC Full Voltage

f

Module Type ‡§	
Code	Description
Y	Steady LED
L	Flashing LED
C	Piezo Sound Alarm, Continuous Tone
P	Piezo Sound Alarm, Pulsing Tone
Q	Dual Circuit Piezo Sound Alarm *

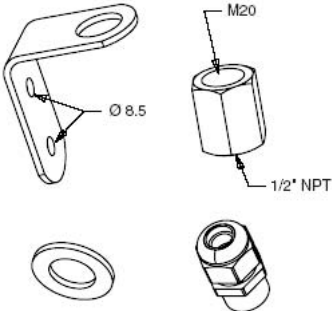




g

Lens Color / Sound	
Code	Description
1	Sound Module
3	Green
4	Red
5	Amber
6	Blue
7	Clear
8	Yellow

‡ Sound Module types (C, P, Q) must be on the top-most level, they must be configured with Lens Color / Sound Code 1, and only one sound module is allowed per assembly.

§ Light Module types (Y, L) can only be configured with Lens Color / Sound Codes 3, 4, 5, 6, 7, or 8.

* If the dual circuit sound module (Q) is selected, the maximum number of light modules allowed is three (two module spaces are required for the dual circuit sound module).

	Description	Cat. No.
	<p>Gaskets Vertical Mount Kit 1pc L-bracket / 1pc thread adapter / 1pc black cable gland (1/2 NPT) / 1pc plastic washer (all parts in a heat sealed bag)</p>	855D-ABVM
	<p>Conduit Mount Kit 1pc thread adapter / 1pc plastic washer (all parts in a heat sealed bag)</p>	855D-ACMK
	<p>Direct Mount Kit 1pc plastic washer / 1pc metal lock washer / 1pc M20 nut (all parts in a heat sealed bag)</p>	855D-ARDM
	Base Foot Gasket (Bag of 5)	855D-APFG
	<p>Mounting Screw Washer Kit Replacement flat washers are used to provide a seal where the mounting screw meets the pole base. (1 kit includes 20 pcs.)</p>	855T-AMSG
	Black 1/2 in NPT Sealing Connector	855T-ABHN
	<p>Field-installable 4-pin DC Micro style terminal chamber. For additional chamber style terminals see the On-Machine Connectivity Catalog, M115-CA001*-EN-P.</p>	871A-TS4-DM

30mm Control Tower™ Stack Lights

Specifications

Mechanical Ratings			
Shock and Vibration		Based on the weight and style of mounting; tower lights are subject to damage from shock and vibration. Listed below are reference guidelines for maximum acceptable conditions.	
		1 Module Stack	3 Module Stack
Standard Bases	Surface Mount Base or 10/25 cm Aluminum Pole Base	150 G Shock 2.5 G Vibration	45 G Shock 2.5 G Vibration
			5 Module Stack
			35 G Shock 2.0 G Vibration
Environmental Ratings			
Ingress Ratings	Light Modules	IP65/UL Type 4/4X/13	
	Sound Modules	IP65/UL Type 4/4X/13	
	Surface, Pole, Vertical, Tube Mount Bases	IP65/UL Type 4/4X/13	
Temperature Ratings — All Products	Operating Temperature	-25...+50 °C (-13...+122 °F)	
	Storage Temperature	-25...+85 °C (-13...+185 °F)	
Materials			
Bases, Cap, Lens Cover, Sound Module Housings		Polycarbonate (94V-0)	
Lenses		Lexan 143R (HB Rating only)	
Rubber Seals and Gaskets		Nitrile Rubber	
Pole (for aluminum pole assembly)		Aluminum	
Pole Base Footing (for aluminum pole base)		Glass-Filled Nylon 66, Polycarbonate (94V-0)	
Insulation Sleeve (for pole insulation)		PVC	
Mounting Screw Washers		Polyimide	
Certifications			
UL/cUL File Number		All products — E14840	
CE		Standard Bases, Light Modules and Sound Modules— EN 60947-5-1	

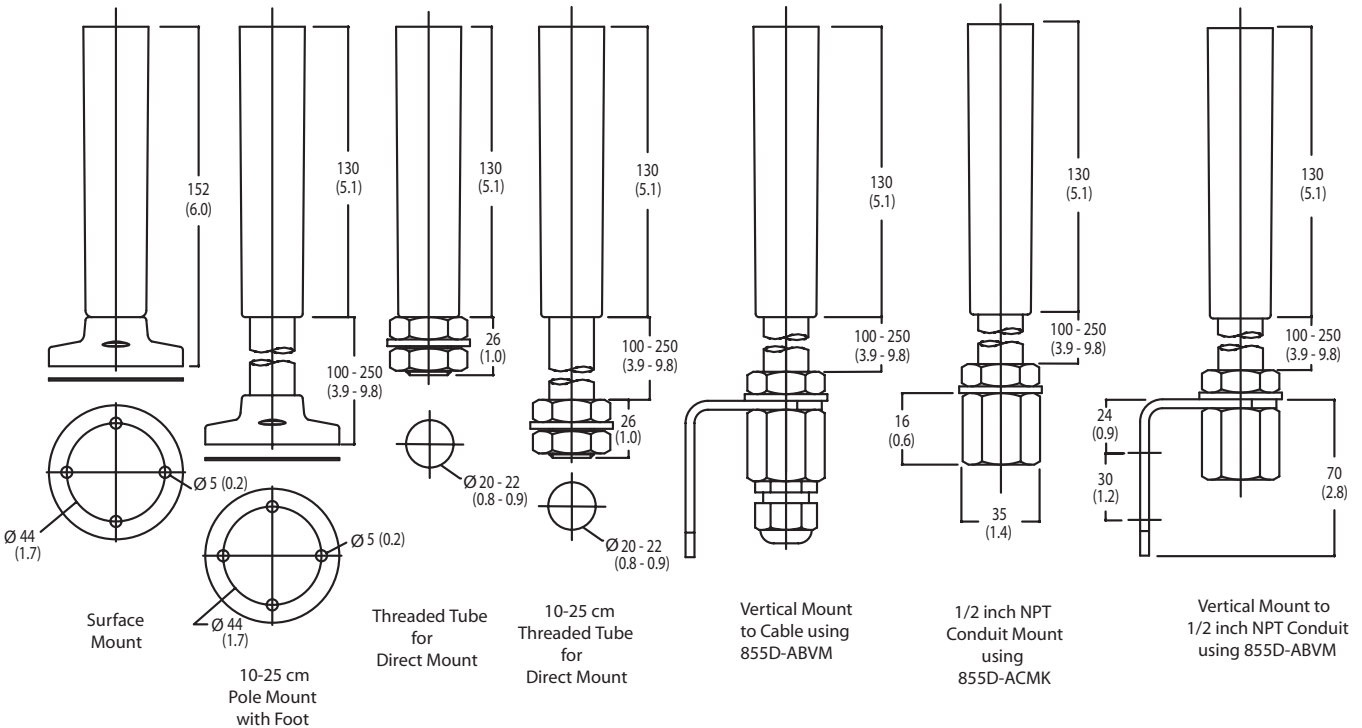
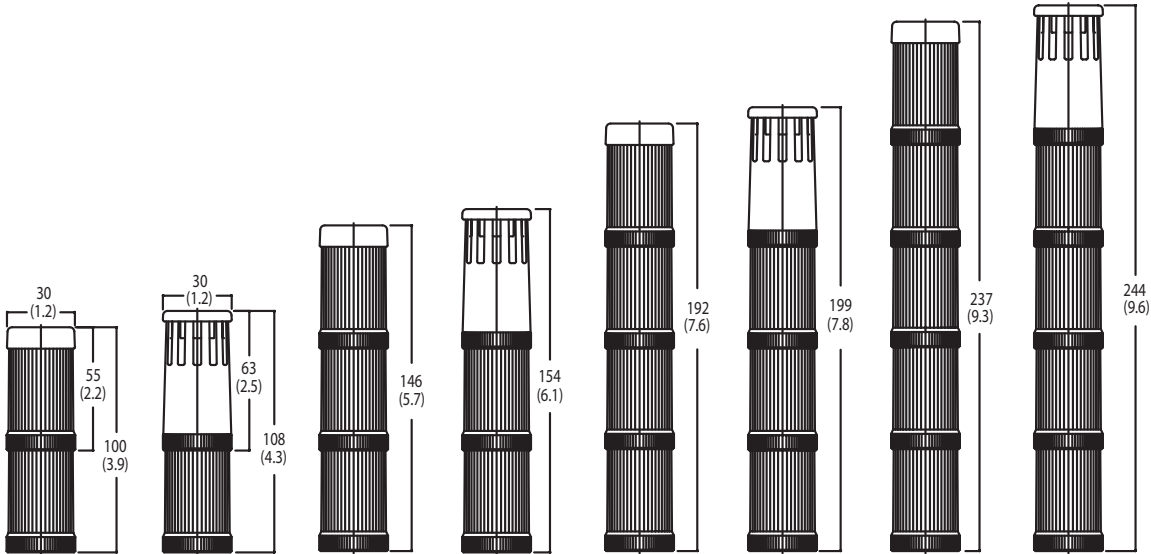
Performance Ratings			
Estimated Light Output†	Steady, Flashing, Red	1000 mCd	
	Steady, Flashing, Amber	800 mCd	
	Steady, Flashing, Green	1500 mCd	
	Steady, Flashing, Yellow	700 mCd	
	Steady, Flashing, Blue	250 mCd	
	Steady, Flashing, White	1000 mCd	
	Operating Voltage		
Description		24V AC/DC	120V AC
Light Modules			240V AC
Sound Modules	24V AC/DC (± 10%)	110V AC 50 Hz (± 10%) 120V AC 60 Hz (± 10%)	230V AC 50 Hz (± 10%) 240V AC 60 Hz (± 10%)
Lamp Life Ratings (Design Life) Average Life Under Static, No Vibration, Conditions			
Description		24V AC/DC	120V AC
LED Modules			240V AC
Sound Modules		100000 hrs	20000 hrs

† Light Output values are calculated from the LED datasheet and show typical values of luminous density. These values are not exact because the knurling in the lens affects the light distribution and because the viewing angle of the LED which directly relates to the Cd output value, is not identical for all LEDs.

Current Consumption			
Description		24V AC/DC	120V AC
Light Modules	Steady or Flashing LED	20 mA	21 mA
Piezo Style Sound Modules	Single and Two Circuit	40 mA	22 mA
			21 mA
Flashing Frequency (Light Only Modules)			
Flashing LED Modules	Flashing frequency approximately 2 Hz		
dB Rating (Sound Modules)			
All dB(A) ratings determined at a distance of 1 meter from sound module			
Piezo Sound Module	85 dB(A) (+2 dB/-5 dB)		
Leakage Current Impact			
All light and sound modules are capable of absorbing up to 3 mA of leakage current from solid-state outputs without module activation. Some light and light modules/with sound may not turn off completely when connected to solid-state outputs which emit leakage current. The table below identifies modules that were affected by an output module emitting a maximum of 3 mA. A dry contact can be used to eliminate the effect of leakage current.			
24V AC/DC, 120V AC, 240V AC		All light/sound modules: 3 mA	

Dimensions in millimeters (inches). Dimensions are not intended to be used for manufacturing purposes.

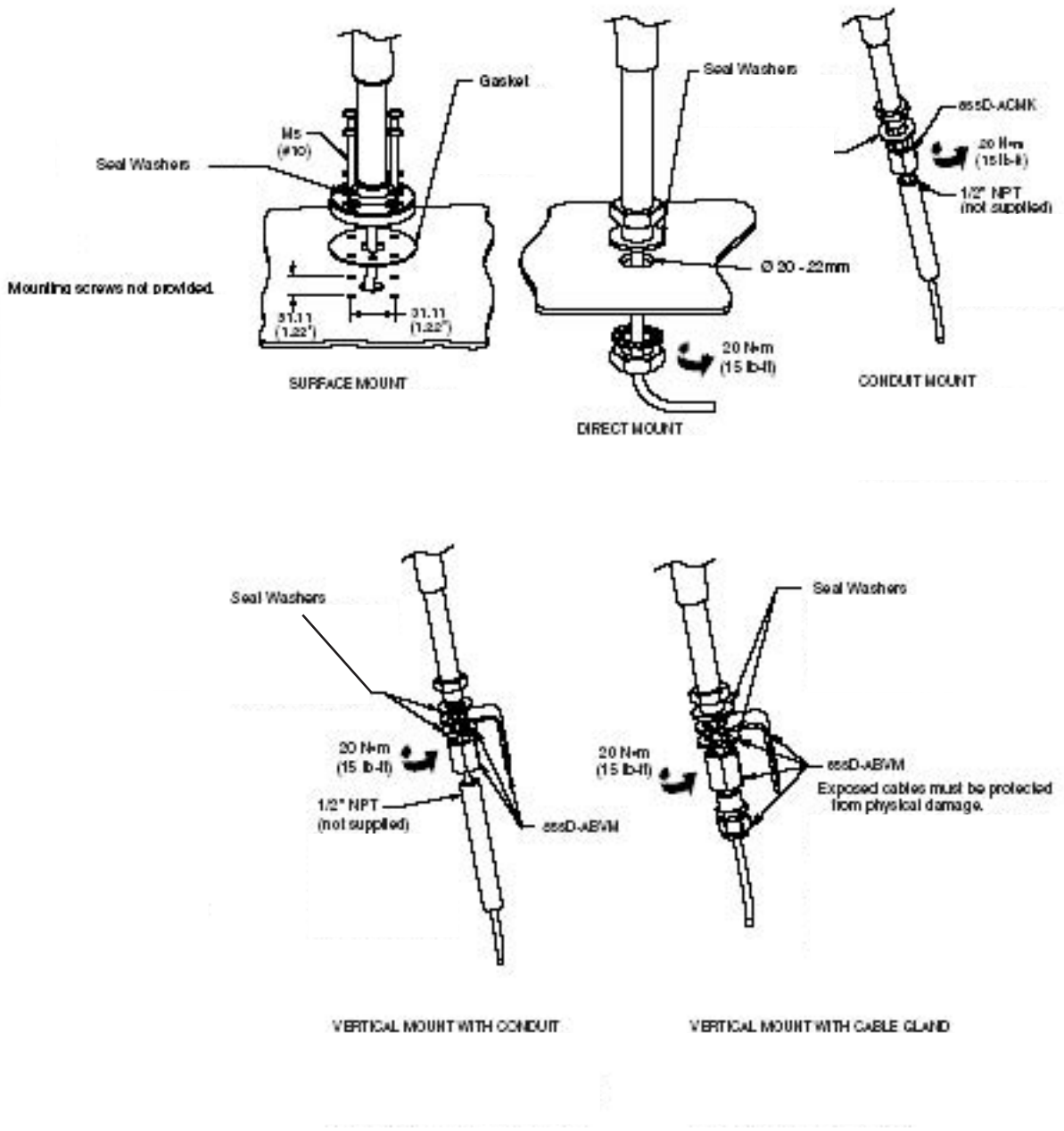
Assembled Stacks



Bulletin 855D
30mm Control Tower™ Stack Lights
 Approximate Dimensions, Continued

Dimensions in millimeters (inches). Dimensions are not intended to be used for manufacturing purposes.

Base Mounting





Bulletin 855E 50mm Control Tower™ Stack Lights

- Light and Sound Signaling Products
- UL Type 4/4X/13, IP65
- Stacking configurations 1...5 modules high
- “No Tools” lens assembly
- Surface, Vertical, or Pole Mounting
- Top-mounted terminal blocks on the Surface-mount, Pole-mount, and Vertical-mount base options.

Standards Compliance and Certifications

EN/IEC 60947-5-1
 CSA C22.2 No. 14
 UL 508
 cULus Listed (File No. E14840, Guide No. NKCR)
 CE Marked

Table of Contents

Light Modules this page
 Sound Modules 32
 Standard Stack
 Light Bases 33
 50 mm Pre-Assembled Stacks 34
 Accessories..... 35
 Specifications..... 37
 Approximate Dimensions..... 38

Product Selection

Light Modules

855E – **10** **FN** **4**
 a *b* *c*



Red Flashing Incandescent

a

Voltage	
Code	Description
00	0...250V AC/DC (No-Lamp Module*)
12	12V AC/DC Full Voltage
24	24V AC/DC Full Voltage
10	120V AC Full Voltage
20	240V AC Full Voltage

b

Light Module Type	
Code	Description
XN	Steady No Lamp*
DN	Steady Incandescent
FN	Flashing Incandescent
TL	Steady Socket - Mount LED
GL	Flashing Socket - Mount LED
BR	Strobe

c

Lens Color	
Code	Description
3	Green
4	Red
5	Amber
6	Blue
7	Clear
8	Yellow

* Can only be selected with module type **XN**, voltage code **00**. Accepts socket mount LED and incandescent types.

Voltage	Color	Illumination Type	Cat. No.
0...250V No-Lamp Module	Green	Steady Incandescent / LED	855E-00XN3
	Red		855E-00XN4
24V AC/DC Full Voltage	Green	Steady Incandescent	855E-24DN3
		Flashing Incandescent	855E-24FN3
		Steady LED	855E-24TL3
	Red	Steady Incandescent	855E-24DN4
		Flashing Incandescent	855E-24FN4
		Strobe	855E-24BR4
	Amber	Steady Incandescent	855E-24DN5
		Flashing Incandescent	855E-24FN5
		Steady LED	855E-24TL5
120V AC Full Voltage	Green	Steady Incandescent	855E-10DN3
		Flashing Incandescent	855E-10FN3
		Steady LED	855E-10TL3
	Red	Steady Incandescent	855E-10DN4
		Flashing Incandescent	855E-10FN4
		Strobe	855E-10BR4
	Amber	Steady Incandescent	855E-10DN5
		Flashing Incandescent	855E-10FN5
		Steady LED	855E-10TL5

50mm Control Tower™ Stack Lights

Product Selection, Continued

Sound Modules

Sound modules have continuous and pulsing tones. Maximum sound output is 103 dB @ 1 meter. A reduced volume setting is available by changing the position of the volume dipswitch, producing a sound output of 88 dB @ 1 meter.

855E - **B** **10** **TA3**
a b c



Black Two Tone Sound Module

a

Housing Color	
Code	Description
B	Black
G	Gray

b

Voltage	
Code	Description
12	12V AC/DC Full Voltage
24	24V AC/DC Full Voltage
10	120V AC Full Voltage
20	240V AC Full Voltage

c

Module Type	
Code	Description
SA3	Single Circuit/Single Tone + Piezo Style (Continuous or pulsing tones modified by Dip Switch)
TA3	Two Circuit/Two Tone Piezo Style (Continuous or pulsing tones modified by energizing 1 or 2 circuits of sound module)

Voltage	Housing Color	Module Type	Cat. No.
24V AC/DC Full Voltage	Black	Single Circuit / Single Tone	855E-B24SA3
		Two Circuit / Two Tone	855E-B24TA3
	Gray	Single Circuit / Single Tone	855E-G24SA3
		Two Circuit / Two Tone	855E-G24TA3
120V AC Full Voltage	Black	Single Circuit / Single Tone	855E-B10SA3
		Two Circuit / Two Tone	855E-B10TA3
	Gray	Single Circuit / Single Tone	855E-G10SA3
		Two Circuit / Two Tone	855E-G10TA3

Bases



Surface-Mount Base with Cap

855E – **B** **VM** **C**
 a *b* *c*



Vertical-Mount Base with Cap



Pole-Mount Bases

a

Housing Color	
Code	Description
B	Black
G	Gray

b

Base Type	
Code	Description
CB	Surface-Mount with 1/2 in NPT Threading
RB	Surface-Mount with M20 Metric Threading
SB	Surface-Mount with PG16 Threading
TM	25 mm Tube-Mount
VM	Vertical Mount
PM10	10 cm Aluminum Pole-Mount Base
PM25	25 cm Aluminum Pole-Mount Base
PM40	40 cm Aluminum Pole-Mount Base
PM60	60 cm Aluminum Pole-Mount Base
PM80	80 cm Aluminum Pole-Mount Base

c

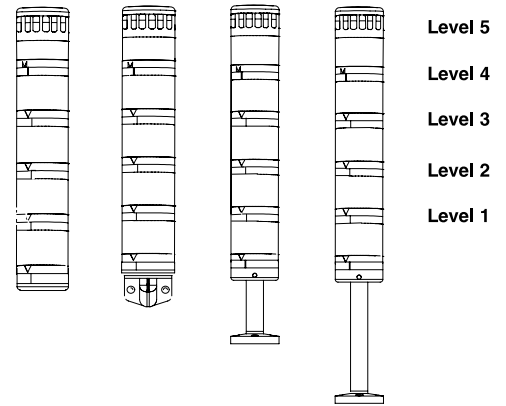
Cap Option	
Code	Description
Blank	No Cap
C	Cap Included

Housing Color	Base Type	With Cap Option	Without Cap Option
		Cat. No.	Cat. No.
Black	Surface Mount — 1/2 in NPT Thread	855E-BCBC	855E-BCB
	Surface Mount — PG16 Thread	855E-BSBC	855E-BSB
	Surface Mount — M20 Thread	855E-BRBC	855E-BRB
	Vertical Mount	855E-BVMC	855E-BVM
	25 mm Diameter Tube Mount	855E-BTMC	855E-BTM
	10 cm Aluminum Pole Mount	855E-BPM10C	855E-BPM10
	25 cm Aluminum Pole Mount	855E-BPM25C	855E-BPM25
	40 cm Aluminum Pole Mount	855E-BPM40C	855E-BPM40
	60 cm Aluminum Pole Mount	855E-BPM60C	855E-BPM60
80 cm Aluminum Pole Mount	855E-BPM80C	855E-BPM80	
Gray	Surface Mount — 1/2 in NPT Thread	855E-GCBC	855E-GCB
	Surface Mount — PG16 Thread	855E-GSBC	855E-GSB
	Surface Mount — M20 Thread	855E-GRBC	855E-GRB
	Vertical Mount	855E-GVMC	855E-GVM
	25 mm Diameter Tube Mount	855E-GTMC	855E-GTM
	10 cm Aluminum Pole Mount	855E-GPM10C	855E-GPM10
	25 cm Aluminum Pole Mount	855E-GPM25C	855E-GPM25
	40 cm Aluminum Pole Mount	855E-GPM40C	855E-GPM40
	60 cm Aluminum Pole Mount	855E-GPM60C	855E-GPM60
80 cm Aluminum Pole Mount	855E-GPM80C	855E-GPM80	

50mm Control Tower™ Stack Lights

Product Selection, Continued

Pre-Assembled Stacks, One to Five Modules



855 **EC** - **B** **10** **Y** **3** **L** **5** **B** **3** **F** **7** **Y** **6**

a
b
c
d
e
d
e
d
e
d
e
d
e

(Level 1)
d+e
(Level 2)
d+e
(Level 3)
d+e
(Level 4)
d+e
(Level 5)
d+e

a

Base Type	
Code	Description
EX	Module Only Stack (No Base)*
EC	Surface Mount - 1/2 in NPT Threading
ES	Surface Mount - PG16
ER	Surface Mount - M20 Threading
EV	Vertical Mount
EM	25 mm Tube Mount
EP	10 cm Pole Mount
EE	25 cm Pole Mount

c

Voltage	
Code	Description
12	12V AC/DC
24	24V AC/DC
10	120V AC
20	240V AC

e

Lens Color	
Code	Description
1	Sound Module*
3	Green
4	Red
5	Amber
6	Blue
7	Clear
8	Yellow

b

Base & Cap Color	
Code	Description
B	Black
G	Gray






d

Module Type	
Code	Description
D	Steady Incandescent
F	Flashing Incandescent
Y	Steady LED
L	Flashing LED
B	Strobe
P	Single-Circuit Piezo Sound Module
Q	Two-Circuit Piezo Sound Module

* Base Type Ex - Module Only Stack includes top cap. Choose cap color in table c.

* Sound module option can only be selected with Module Type options P or Q in table e. They must be located in the top position of the stack.



	Description	Cat. No.	
 (BA15d Bayonet) 19mm Socket Height	Incandescent Lamps	855T-L12	
	12V AC/DC		
	24V AC/DC	855T-L24	
	120V AC	855T-L10	
	240V AC	855T-L20	
	LED Lamps for Socket-Mounted Modules	Color	Cat. No.
	12V AC/DC	Red	855E-LL12R
		Green	855E-LL12G
		Amber	855E-LL12A
		Blue	855E-LL12B
		White*	855E-LL12W
	24V AC/DC	Red	855E-LL24R
		Green	855E-LL24G
		Amber	855E-LL24A
		Blue	855E-LL24B
		White*	855E-LL24W
	120V AC	Red	855E-LL10R
		Green	855E-LL10G
		Amber	855E-LL10A
		Blue	855E-LL10B
	240V AC	White*	855E-LL10W
		Red	855E-LL20R
		Green	855E-LL20G
		Amber	855E-LL20A
		Blue	855E-LL20B
White*		855E-LL20W	
Description		Cat. No.	
	Securing Screws (M2x6 mm) Module Securing Screws (Bag of 5)	855E-ASC	
	Gaskets Non-silicone O-ring Gasket for sealing between bases, modules and caps (Bag of 5)	855E-ALSG	
	Surface Mount Gasket for Bulletin 855E (SB, RB, CB) Vertical Bases (Bag of 5)	855E-ASFG	
	Pole Mount Gasket for Bulletin 855E and 855T Pole Bases (PM10, 25, 40, 60, 80) (SPM 10, 25, 40, 60, 80) (Bag of 5)	855T-APFG	

* White LED lamps are not to be used with a lens option of Clear

50mm Control Tower™ Stack Lights

Accessories, Continued

	Description	Cat. No.	
	Gaskets Vertical Mount Gasket for Bulletin 855E and 855T (VM) Vertical Bases (Bag of 5)	855T-AVFG	
	Tube Mount Flat Gasket for sealing between Bulletin 855E and 855T (TM) bases and poles (Bag of 5)	855T-AVTG	
	Mounting Screw Washer Kit Replacement flat washers are used to provide a seal where the mounting screw meets the pole and vertical bases (not required for surface mount bases). (1 kit includes 20 pcs.)	855T-AMSG	
 Cat. No. 855E-ABCAP Cat. No. 855E-AGCAP	Description	Color	Cat. No.
	Cap The cap is installed to the top of the uppermost light module. No cap is needed if the top module is a sound module, or a light/with sound module.	Black	855E-ABCAP
	Description	Cat. No.	
	Pole Connection Boxes Black Surface Mount with PG16 Threaded Side Entrance	855T-BSMP	
	Black Surface Mount with M20 Threaded Side Entrance	855T-BSMR	
	Black Surface Mount with 1/2 in NPT Threaded Side Entrance	855T-BSMN	
	Black Vertical Mount with PG16 Side Entrance	855T-BVMP	
	Black Vertical Mount with M20 Side Entrance	855T-BVMR	
	Black Magnetic Mount with PG16 Threaded Side Entrance	855T-BMMP	
	Black Magnetic Mount with M20 Threaded Side Entrance	855T-BMMR	
	Black Magnetic Mount with 1/2 in NPT Threaded Side Entrance	855T-BMMN	
	Black PG16 Threaded Hole Plug	855T-ABUP	
	Black M20 Threaded Hole Plug	855T-ABUR	
	Black PG16 Threaded Cable Gland	855T-ABCP	
	Black M20 Threaded Cable Gland	855T-ABCR	
	Black 1/2 in NPT Sealing Connector	855T-ABHN	
	Package of 4 (M5 x 40 screws) for Mounting Pole Mount Base to Pole Connection Box	855T-AJBS	

Bulletin 855E
50mm Control Tower™ Stack Lights
Specifications

Mechanical Ratings					
Shock and Vibration		Based on the weight and style of mounting; tower lights are subject to damage from shock and vibration. Listed below are reference guidelines for maximum acceptable conditions.			
		1 Module Shock	3 Module Shock	5 Module Shock	
Standard Bases	Surface Mount Base or 10 cm Aluminum Pole Base	150 G Shock 5 G Vibration	45 G Shock 1.5 G Vibration	35 G Shock 0.75 G Vibration	
	Vertical Base or 25 cm Aluminum Pole Base	95 G Shock 3.5 G Vibration	30 G Shock 1.25 G Vibration	20 G Shock 0.5 G Vibration	
Recommended Wire Sizes		0.5...1.5 mm ² (22...16 AWG)			
Recommended Terminal Torque		0.87 Nm (7 lb-in.)			
Environmental Ratings					
Ingress Ratings	Light Modules with Cap	IP65/UL Type4/4X/13			
	Sound Modules	IP65/UL Type4/4X/13			
	Surface, Vertical, Tube Mount Bases	IP65/UL Type4/4X/13			
	Pole Mount Bases	IP65/UL Type4/4X/13			
Temperature Ratings — All Products	Operating Temperature	-25...+50 °C(-13...+122 °F)			
	Storage Temperature	-40...+85 °C(-40...+185 °F)			
Materials					
Bases, Cap, Lens Cover, Sound Module Housings		Polycarbonate (94 V-0)			
Lenses		Polycarbonate (94 V-2)			
Lamp Socket		Polycarbonate (94 V-2)			
Rubber Seals and Gaskets		Nitrile Rubber			
Pole (for aluminum pole assembly)		Aluminum			
Pole Base Footing (for aluminum pole base)		Glas-Filled Nylon 66			
Conduit (for pole insulation)		Polystyrene/Polyphenylene Ether Blend			
Mounting Screw Washers		Polypropylene			
Certifications					
UL/cUL File Number		All Products — E14840, Guide No. NKCR			
CE		Standard Bases, Light Modules and Sound Modules — EN 60947-5-1			
Performance Ratings					
Description		12V AC/DC	24V AC/DC	120V AC	240V AC
Light output	Steady Incandescent	0.5 MSCP	2.5 MSCP	3.0 MSCP	0.49 MSCP
		6.3 Lumens	31.4 Lumens	37.7 Lumens	6.2 Lumens
	Flashing Incandescent	0.5 MSCP	2.5 MSCP	3.0 MSCP	0.49 MSCP
		6.3 Lumens	31.4 Lumens	37.7 Lumens	6.2 Lumens
	Strobe	1.5 Joules per lamp			
	Steady, Flashing Socket Mount LED Red	100...200 mcd			
	Steady, Flashing Socket Mount LED Green	725...950 mcd			
	Steady, Flashing Socket Mount LED Amber	160...320 mcd			
Steady, Flashing Socket Mount LED Blue	180...210 mcd				
Steady, Flashing Socket Mount LED White	680 mcd				
Operating Voltage					
Description		12V AC/DC	24V AC/DC	120V AC	240V AC
Light Modules and Sound Modules		12V AC/DC (± 10%)	24V AC/DC (± 10%)	110V AC 50Hz (± 10%) 120V AC 60Hz (± 10%)	230V AC 50 Hz (± 10%) 240V AC 60 Hz (± 10%)
Lamp Life Ratings (Design Life) Average Life Under Static, No Vibration, Conditions					
Description		12V AC/DC	24V AC/DC	120V AC	240V AC
Incandescent Modules*†		8,000 hrs	7,000 hrs	3,000 hrs	1,600 hrs
LED Modules		100000 hrs			
Strobe Modules		15000 hrs			
Sound Modules		20000 hrs			

* First failures at about 35% of average life. Severe vibration may reduce life to 44% of average life.

† Flashing applications may reduce life to 50% of average life.

50mm Control Tower™ Stack Lights

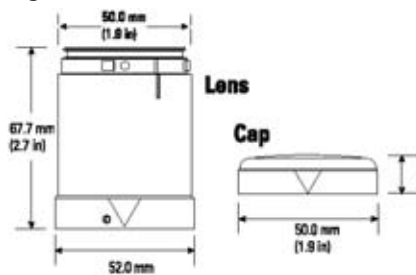
Specifications, Continued and Approximate Dimensions

		Current Consumption			
Description		12V AC/DC	24V AC/DC	120V AC	240V AC
Light Only Modules	Steady Incandescent	208 mA	271 mA	58 mA	23 mA
	Flashing Incandescent	208 mA	271 mA	58 mA	23 mA
	Steady or Flashing LED	47 mA	28 mA	11 mA	11 mA
	Strobe	95 mA	60 mA	55 mA	30 mA
Sound Modules	Single Tone Sound Module	12 mA	25 mA	33 mA	33 mA
	Two Tone Sound Module				
Flashing Frequency (Light Only Modules)					
Flashing Incandescent Modules		12V module approximately 1.5 Hz 24V, 120V, and 240V modules approximately 2 Hz Time ON/Time OFF = 1:1			
Flashing LED Modules		Flashing frequency approximately 1.5 Hz Time On/Time OFF = 1:1			
Strobe Modules		Flashing frequency approximately 2 Hz (flash duration 1/50,000 second)			
Flashing and Tone frequency (Light Modules/with Sound Set at Continuous Tone)					
Tone Frequency		Tone frequency is preset at 2800 Hz			
Flashing and Tone Pulsing Frequencies (Light Modules/with Sound Set at Pulsing Tone)					
Tone Frequency		Tone Frequency is preset at 2800 Hz			
dB Rating (Sound Modules)					
All dB(A) ratings determined at a distance of 1 meter from sound module					
Single Tone Sound Module (SA3)		Maximum volume ranges from 93...103 dB(A) (volume adjustable by dipswitch)			
Two Tone Sound Module (TA3)					
Leakage Current Impact					
All light modules and sound modules are capable of absorbing up to 3 mA of leakage from solid-state outputs without module activation					

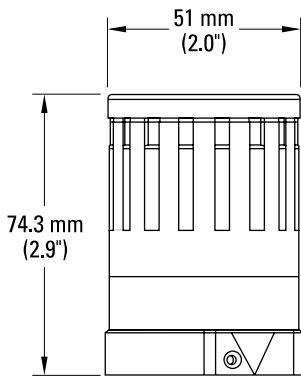
Approximate Dimensions

Dimensions in millimeters (inches). Dimensions are not intended to be used for manufacturing purposes.

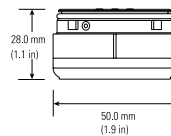
Light Modules



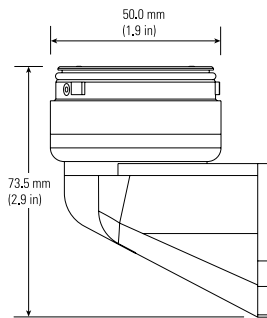
Sound Module



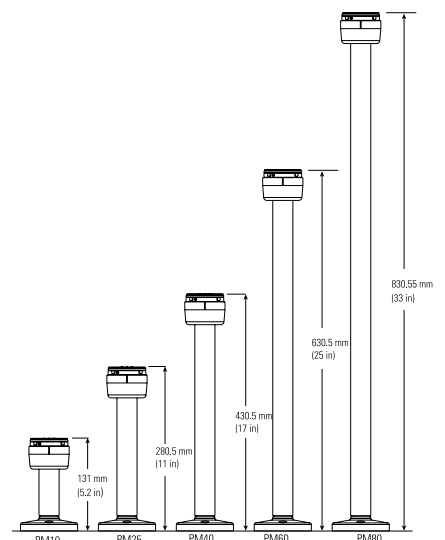
Surface-Mount Base



Vertical-Mount Base



Pole-Mount Bases





Bulletin 855T — 70mm Control Tower™ Stack Lights

- Light and Sound Signaling Products
- Surface, Vertical, or Pole Mounting
- Light Modules - UL Type 4/4X/13, IP65
- Sound Modules - Piezo and Transducer options
- DeviceNet bases available

Standards Compliance and Certifications

EN/IEC 60947-5-1
 CSA C22.2 No. 14
 UL 508
 cULus Listed (File No. E14840, Guide No. NKCR)
 CE Marked

Table of Contents

Light Modules this page
 Light Modules
 w/Sound 40
 Sound Modules 42
 Stack Light Bases 44
 Pre-Assembled
 Stacks 46
 Accessories 47
 Specifications 49
 Approx. Dimensions . 54

Light Modules

855T – **B** **10** **FN** **4**
a b c d



Red Flashing Incandescent (Black Housing)

a

Housing Color	
Code	Description
B	Black
G	Gray

c

Module Type	
Code	Description
XN	Steady No-Lamp*
DN	Steady Incandescent
FN	Flashing Incandescent
TL	Steady LED
GL	Flashing LED
BR	Strobe

d

Lens Color	
Code	Description
3	Green
4	Red
5	Amber
6	Blue
7	Clear
8	Yellow

b

Voltage	
Code	Description
00	0...250V AC/DC (Use only with Module Code XN)
12	12V AC/DC Full Voltage
24	24V AC/DC Full Voltage
10	120V AC Full Voltage
20	240V AC Full Voltage

* Use only with Voltage Code 00. Accepts LED module or incandescent lamp.

Voltage	Color	Illumination Type	Black Housing Color	Gray Housing Color
			Cat. No.*	Cat. No.*
0...250V No-Lamp Module	Green	Steady Incandescent / LED	855T-B00XN3	855T-G00XN3
	Red		855T-B00XN4	855T-G00XN4
24V AC/DC Full Voltage	Green	Steady Incandescent	855T-B24DN3	855T-G24DN3
		Flashing Incandescent	855T-B24FN3	855T-G24FN3
		Steady LED	855T-B24TL3	855T-G24TL3
	Red	Steady Incandescent	855T-B24DN4	855T-G24DN4
		Flashing Incandescent	855T-B24FN4	855T-G24FN4
		Strobe	855T-B24BR4	855T-G24BR4
	Amber	Steady Incandescent	855T-B24DN5	855T-G24DN5
		Flashing Incandescent	855T-B24FN5	855T-G24FN5
		Steady LED	855T-B24TL5	855T-G24TL5
120V AC Full Voltage	Green	Steady Incandescent	855T-B10DN3	855T-G10DN3
		Flashing Incandescent	855T-B10FN3	855T-G10FN3
		Steady LED	855T-B10TL3	855T-G10TL3
	Red	Steady Incandescent	855T-B10DN4	855T-G10DN4
		Flashing Incandescent	855T-B10FN4	855T-G10FN4
		Strobe	855T-B10BR4	855T-G10BR4
	Amber	Steady Incandescent	855T-B10DN5	855T-G10DN5
		Flashing Incandescent	855T-B10FN5	855T-G10FN5
		Steady LED	855T-B10TL5	855T-G10TL5

* Refer to configurator options for additional selections.

70mm Control Tower™ Stack Lights

Product Selection, Continued

Single-Circuit Light Modules with Piezo Sounder*

All modules contain a selected light option with a sound device that operates simultaneously. The Piezo style sound module can be switched to pulsing or continuous sound with a DIP switch. Additionally, the volume can be adjusted to either low: 92 dB(A) or high: 107 dB(A), via a DIP switch. UL Type 4/4X/13, IP65.

855T – **B** **10** **DC** **3**
a b c d



Red Strobe/Sound Combination Module (Black Housing)

a

Housing Color	
Code	Description
B	Black
G	Gray

b

Voltage	
Code	Description
12	12V AC/DC Full Voltage
24	24V AC/DC Full Voltage
10	120V AC Full Voltage
20	240V AC Full Voltage

c

Module Type	
Code	Description
DC	Steady Incandescent/with Sound
FC	Flashing Incandescent/with Sound
TC	Steady LED/with Sound
GC	Flashing LED/with Sound
BC	Strobe/with Sound

d

Lens Color	
Code	Description
3	Green
4	Red
5	Amber
6	Blue
7	Clear
8	Yellow

Voltage	Illumination Type	Lamp Color	Black Housing Color	Gray Housing Color
			Cat. No.*	Cat. No.*
24V AC/DC Full Voltage	Steady Incandescent	Green	855T-B24DC3	855T-G24DC3
	Flashing Incandescent		855T-B24FC3	855T-G24FC3
	Steady LED		855T-B24TC3	855T-G24TC3
	Steady Incandescent	Red	855T-B24DC4	855T-G24DC4
	Flashing Incandescent		855T-B24FC4	855T-G24FC4
	Strobe		855T-B24BC4	855T-G24BC4
	Steady Incandescent	Amber	855T-B24DC5	855T-G24DC5
	Flashing Incandescent		855T-B24FC5	855T-G24FC5
	Steady LED		855T-B24TC5	855T-G24TC5
120V AC Full Voltage	Steady Incandescent	Green	855T-B10DC3	855T-G10DC3
	Flashing Incandescent		855T-B10FC3	855T-G10FC3
	Steady LED		855T-B10TC3	855T-G10TC3
	Steady Incandescent	Red	855T-B10DC4	855T-G10DC4
	Flashing Incandescent		855T-B10FC4	855T-G10FC4
	Strobe		855T-B10BC4	855T-G10BC4
	Steady Incandescent	Amber	855T-B10DC5	855T-G10DC5
	Flashing Incandescent		855T-B10FC5	855T-G10FC5
	Steady LED		855T-B10TC5	855T-G10TC5

* The light/with sound module uses one circuit in a stack. It can be used with a maximum of four light modules and must be placed in the top position of a stack.
 * Refer to configurator options for additional selections.

2-Circuit Light Modules with Piezo Sounder*

Modules contain two circuits enabling separate operation of light or sound in the same module. The Piezo style sound device can be switched to pulsing or continuous sound with a DIP switch. Additionally, the volume can be adjusted to either low: 92 dB(A) or high: 107 dB(A), via a DIP switch. UL Type 4/4X/13, IP65.

855T – **B** **10** **DD** **4**
 a *b* *c* *d*



2-Circuit Steady Incandescent/
 Sound Combination Module (Black Housing)

a

Housing Color	
Code	Description
B	Black
G	Gray

b

Voltage	
Code	Description
12	12V AC/DC Full Voltage
24	24V AC/DC Full Voltage
10	120V AC Full Voltage
20	240V AC Full Voltage

c

Module Type	
Code	Description
DD	2-Circuit Steady Incandescent/with Sound

d

Lens Color	
Code	Description
3	Green
4	Red
5	Amber
6	Blue
7	Clear
8	Yellow

Voltage	Illumination Type	Lamp Color	Black Housing Color	Gray Housing Color
			Cat. No.*	Cat. No.*
12V AC/DC Full Voltage	Steady Incandescent	Green	855T-B12DD3	855T-G12DD3
		Red	855T-B12DD4	855T-G12DD4
		Amber	855T-B12DD5	855T-G12DD5
		Blue	855T-B12DD6	855T-G12DD6
		Clear	855T-B12DD7	855T-G12DD7
		Yellow	855T-B12DD8	855T-G12DD8
24V AC/DC Full Voltage		Green	855T-B24DD3	855T-G24DD3
		Red	855T-B24DD4	855T-G24DD4
		Amber	855T-B24DD5	855T-G24DD5
		Blue	855T-B24DD6	855T-G24DD6
		Clear	855T-B24DD7	855T-G24DD7
		Yellow	855T-B24DD8	855T-G24DD8
120V AC Full Voltage		Green	855T-B10DD3	855T-G10DD3
		Red	855T-B10DD4	855T-G10DD4
		Amber	855T-B10DD5	855T-G10DD5
		Blue	855T-B10DD6	855T-G10DD6
		Clear	855T-B10DD7	855T-G10DD7
		Yellow	855T-B10DD8	855T-G10DD8

* The 2-circuit light/with sound module uses two circuits in a stack. It can be used with a maximum of three light modules and must be placed in the top position of a stack.

* Refer to configurator options for additional selections.

Bulletin 855T
70mm Control Tower™ Stack Lights
 Product Selection, Continued

Transducer Style Sound Modules

- UL Type 12, IP54
- Up to 15 tones
- Adjustable volume @ 1 meter from 64...103 dB(A)
- Adjustable frequency and speed tone



Transducer Style Single Tone/Single Circuit Sound Module (Black Housing)

855T – **B** **10** **SA1**
 a b c

a

Housing Color	
Code	Description
B	Black
G	Gray

b

Voltage	
Code	Description
12	12V AC/DC Full Voltage
24	24V AC/DC Full Voltage
10	120V AC Full Voltage
20	240V AC Full Voltage

c

Module Type	
Code	Description
SA1	Single Tone Sound Module with 13 different tones*
TA1	Dual Tone sound Module with 15 sets of dual tone combinations*

Voltage	Module Type	Tone	Black Housing Color	Gray Housing Color
			Cat. No.‡	Cat. No.‡
24V AC/DC Full Voltage	Single Tone Transducer Style	Preset as Triangle Tone	855T-B24SA1	855T-G24SA1
	Dual Tone Transducer Style	Preset as Triangle Tone/Continuous Tone	855T-B24TA1	855T-G24TA1
120V AC Full Voltage	Single Tone Transducer Style	Preset as Triangle Tone	855T-B10SA1	855T-G10SA1
	Dual Tone Transducer Style	Preset as Triangle Tone/Continuous Tone	855T-B10TA1	855T-G10TA1

* This module uses one circuit in a stack. It can be used with maximum of any four light modules and must be placed on top of stack.

⊛ This module uses two circuits in a stack. It can be used with a maximum of any three light modules and must be placed on top of stack.

‡ Refer to configurator options for additional selections.

Piezo Style Sound Modules

- Single or dual circuit versions
- High/low volume selectable via dip switch

855T – G 24 TA2
a b c



*Piezo Style Dual Tone/Dual Circuit
Sound Module (Black Housing)*

a

Housing Color	
Code	Description
B	Black
G	Gray

b

Voltage	
Code	Description
12	12V AC/DC Full Voltage
24	24V AC/DC Full Voltage
10	120V AC Full Voltage
20	240V AC Full Voltage

c

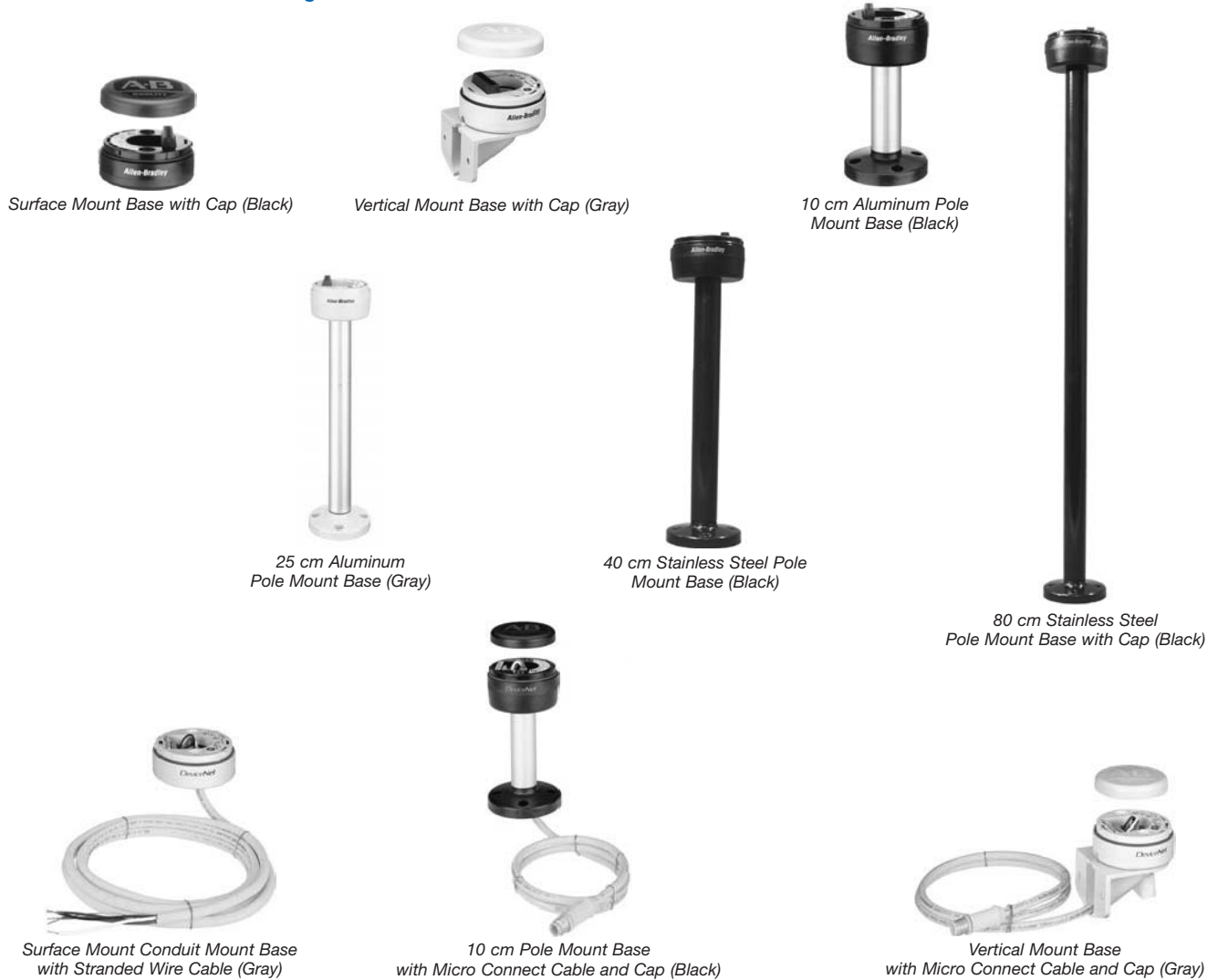
Module Type	
Code	Description
SA2	<ul style="list-style-type: none"> • Single Tone/Single Circuit Piezo style Module with continuous or pulsing tones modified by a DIP switch • Type 12 • Volume 97/85 dB @ 1 m
TA2	<ul style="list-style-type: none"> • Dual Tone/Dual Circuit Piezo style Module with continuous or pulsing tone modified by energizing 1 or 2 circuit of sound modules • Type 12 • Volume 97/85 dB @ 1 m
SA3	<ul style="list-style-type: none"> • Single Tone/Single Circuit Piezo style Module with continuous or pulsing tones modified by a DIP switch • Type 4/4X/13 • Volume 107/92 dB @ 1 m
TA3	<ul style="list-style-type: none"> • Dual Tone/Dual Circuit Piezo style Module with continuous or pulsing tone modified by energizing 1 or 2 circuit of sound modules • Type 4/4X/13 • Volume 107/92 dB @ 1 m

Voltage	Module Type	Tone Type	Black Housing Color	Gray Housing Color
			Cat. No.*	Cat. No.*
24V AC/DC Full Voltage	Dual Tone Piezo Style (UL Type 12, IP54)	Pulsing Tone/Continuous Tone	855T-B24TA2	855T-G24TA2
	Dual Tone Piezo Style (UL Type 4/4X/13, IP65)		855T-B24TA3	855T-G24SA3
	Single Tone Piezo Style (Type 12, IP54)		855T-B24SA2	855T-B24SA2
	Single Tone Piezo Style (Type 4/4X/13, IP65)		855T-B24SA3	855T-G24SA3
120V AC Full Voltage	Dual Tone Piezo Style (Type 12, IP54)	Pulsing Tone/Continuous Tone	855T-B10TA2	855T-G10TA2
	Dual Tone Piezo Style (Type 4/4X/13, IP65)		855T-B10TA3	855T-G10TA3
	Single Tone Piezo Style (UL Type 12, IP54)		855T-B10SA2	855T-G10TA2
	Single Tone Piezo Style (UL Type 4/4X/13, IP65)		855T-B10SA3	855T-G10SA3

* Refer to configurator options for additional selections.

Bulletin 855T
70mm Control Tower™ Stack Lights
 Product Selection, Continued

Standard and DeviceNet Stack Light Bases



855T – DL1 B PM10 C
a b c d

a

Network Connection Type	
Code	Description
Blank	No Network Connection
DM1	DeviceNet Micro-connect with 1 m Cable*
DS2	DeviceNet Stranded Wire Connect with 2 m Cable*
DL1	DeviceNet Mini-connect with 1 m Cable*

b

Housing Color	
Code	Description
B	Black
G	Gray

c

Base Type	
Code	Description
CB	Surface Mount — 1/2 in NPT Conduit Mount
SB	Surface Mount — PG16 Conduit Mount
RB	Surface Mount — M20 x 1.5 Conduit Mount
VM	Vertical Mount
TM	25 mm Diameter Tube Mount
PM10	10 cm Aluminum Pole Mount
PM25	25 cm Aluminum Pole Mount
PM40	40 cm Aluminum Pole Mount
SPM10	10 cm Stainless Steel Pole Mount*
SPM25	25 cm Stainless Steel Pole Mount*
SPM40	40 cm Stainless Steel Pole Mount*
SPM60	60 cm Stainless Steel Pole Mount*
SPM80	80 cm Stainless Steel Pole Mount*

d

Cap Option	
Code	Description
Blank	No Cap
C	Cap Included

* DeviceNet bases DL1, DM1, or DS2 can only be used with 24V AC/DC and they are only available with Base Types CB, SB, VM, TM, PM10, or PM25.
 * Stainless Steel tube is powder-coated in black.

Standard Stack Light Bases

Housing Color	Base Type	With Cap Option	Without Cap Option
		Cat. No.*	Cat. No.*
Black	Surface Mount — 1/2 in NPT Conduit Mount	855T-BCBC	855T-BCB
	Surface Mount — PG16 Conduit Mount	855T-BSBC	855T-BSB
	Surface Mount — M20 x 1.5 Conduit Mount	855T-BRBC	855T-BRBC
	Vertical Mount	855T-BVMC	855T-BVM
	10 cm Aluminum Pole Mount	855T-BPM10C	855T-BPM10
	25 cm Aluminum Pole Mount	855T-BPM25C	855T-BPM25
	40 cm Aluminum Pole Mount	855T-BPM40C	855T-BPM40
	25 mm Diameter Tube Mount	855T-BTMC	855T-BTM
	10 cm Stainless Steel Pole Mount	855T-BSPM10C	855T-BSPM10
	25 cm Stainless Steel Pole Mount	855T-BSPM25C	855T-BSPM25
	40 cm Stainless Steel Pole Mount	855T-BSPM40C	855T-BSPM40
	60 cm Stainless Steel Pole Mount	855T-BSPM60C	855T-BSPM60
	80 cm Stainless Steel Pole Mount	855T-BSPM80C	855T-BSPM80

DeviceNet Stack Light Bases

Cable Type	Base Type	Cap Option*	Black Housing Color	Gray Housing Color	
			Cat. No.*	Cat. No.*	
Micro Connect (approximately 1 meter cable length)	Surface Mount — 1/2 in NPT Conduit Mount	With Cap	855T-DM1BCBC	855T-DM1GCBC	
	Surface Mount — PG16 Conduit Mount		855T-DM1BSBC	855T-DM1GSBC	
	Surface Mount — M20 x 1.5 Conduit Mount		855T-DM1BRBC	855T-DM1BRBC	
	Vertical Mount		855T-DM1BVMC	855T-DM1GVMC	
	10 cm Pole Mount		855T-DM1BPM10C	855T-DM1GPM10C	
	25 cm Pole Mount		855T-DM1BPM25C	855T-DM1GPM25C	
	25 mm Diameter Tube Mount		855T-DM1BTMC	855T-DM1GTMC	
	Surface Mount — 1/2 in NPT Conduit Mount		855T-DS2BCBC	855T-DS2GCBC	
Surface Mount — PG16 Conduit Mount	855T-DS2BSBC		855T-DS2GSBC		
Surface Mount — M20 x 1.5 Conduit Mount	855T-DS2BRBC		855T-DS2BRBC		
Vertical Mount	855T-DS2BVMC		855T-DS2GVMC		
10 cm Pole Mount	855T-DS2BPM10C		855T-DS2GPM10C		
25 cm Pole Mount	855T-DS2BPM25C		855T-DS2GPM25C		
25 mm Diameter Tube Mount	855T-DS2BTMC		855T-DS2GTMC		
Stranded Wire Connect (approximately 2 meter cable length)	Surface Mount — 1/2 in NPT Conduit Mount		With Cap	855T-DL1BCBC	855T-DL1GCBC
	Surface Mount — PG16 Conduit Mount			855T-DL1BSBC	855T-DL1GSBC
	Surface Mount — M20 x 1.5 Conduit Mount	855T-DL1BRBC		855T-DL1BRBC	
	Vertical Mount	855T-DL1BVMC		855T-DL1GVMC	
	10 cm Pole Mount	855T-DL1BPM10C		855T-DL1GPM10C	
	25 cm Pole Mount	855T-DL1BPM25C		855T-DL1GPM25C	
	25 mm Diameter Tube Mount	855T-DL1BTMC		855T-DL1GTMC	
	Surface Mount — 1/2 in NPT Conduit Mount	855T-DL1BCBC		855T-DL1GCBC	
Surface Mount — PG16 Conduit Mount	855T-DL1BSBC	855T-DL1GSBC			
Surface Mount — M20 x 1.5 Conduit Mount	855T-DL1BRBC	855T-DL1BRBC			
Vertical Mount	855T-DL1BVMC	855T-DL1GVMC			
10 cm Pole Mount	855T-DL1BPM10C	855T-DL1GPM10C			
25 cm Pole Mount	855T-DL1BPM25C	855T-DL1GPM25C			
25 mm Diameter Tube Mount	855T-DL1BTMC	855T-DL1GTMC			

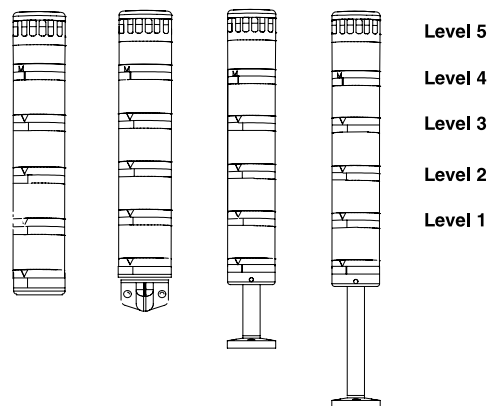
* See previous page for all configurator options.

* All Bases can be purchased without Cap. Remove the "C" from the end of the cat. no.

70mm Control Tower™ Stack Lights

Product Selection, Continued

Pre-Assembled Stacks, One to Five Modules



855 **TS** - **DL1** **B** **10** **Y** **4** **L** **5** **B** **3** **F** **7** **Y** **6**

a
b
c
d
e
f
e
f
e
f
e
f
e
f

(Level 1)
e+f
(Level 2)
e+f
(Level 3)
e+f
(Level 4)
e+f
(Level 5)
e+f

a

Base Type	
Code	Description
TX	Module Only Stack (No Base)
TC	Surface Mount 1/2 in NPT Conduit
TS	Surface Mount PG16 Conduit
TR	Surface Mount M20 x 1.5 Conduit§
TV	Vertical Mount
TP	10 cm Pole Mount
TE	25 cm Pole Mount
TM	25 mm Diameter Tube Mount

b

Network Options	
Code	Description
Blank	Standard
DL1	DeviceNet Mini-Connect with 1 m Cable*
DM1	DeviceNet Micro-connect with 1 m Cable*
DS2	DeviceNet Stranded Wire Connect with 2 m Cable*

c

Housing Color	
Code	Description
B	Black
G	Gray

d

Voltage	
Code	Description
12	12V AC/DC Full Voltage
24	24V AC/DC Full Voltage
10	120V AC Full Voltage
20	240V AC Full Voltage

e

Module Type	
Code	Description
D	Steady Incandescent
F	Flashing Incandescent
Y	Steady LED
L	Flashing LED
B	Strobe
T	Steady Incandescent/with Sound*
H	Flashing Incandescent/with Sound*
J	2-Circuit Steady Incandescent with Sound
E	Steady LED/with Sound*
G	Flashing LED/with Sound*
Z	Strobe/with Sound*
A	Transducer Style Single Tone Sound Module*
W	Transducer Style Dual Tone Sound Module*
K	Single Circuit Piezo Alarm UL Type 12, IP54
M	Dual Circuit Piezo Alarm UL Type 12, IP54
P	Single Circuit Piezo Alarm UL Type 4/4X/13, IP65
Q	Dual Circuit Piezo Alarm UL Type 4/4X/13, IP65

f




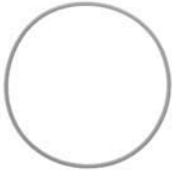


Lens Color	
Code	Description
1	Sound Module‡
3	Green
4	Red
5	Amber
6	Blue
7	Clear
8	Yellow

* DeviceNet bases DL1, DM1, or DS2 can only be used with 24V AC/DC.

* Only one sound module or light module/with sound can be assembled per stack. These modules must always be placed in the top position.

‡ Sound module from Table f can only be selected with single tone or dual tone module types from Table e.



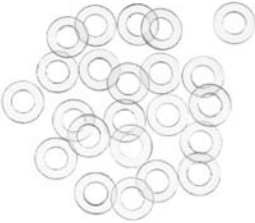













§ Base type TR is not available with DeviceNet network option.

	Description	Cat. No.		
 (BA15d Bayonet) 19mm Socket Height	Incandescent Lamps	855T-L12		
	12V AC/DC			
	24V AC/DC	855T-L24		
	120V AC	855T-L10		
	240V AC	855T-L20		
	Description	Color	Cat. No.	
	LED Lamps for Socket-Mounted Modules	Red	855E-LL12R	
	12V AC/DC	Green	855E-LL12G	
		Amber	855E-LL12A	
		Blue	855E-LL12B	
		White*	855E-LL12W	
		Red	855E-LL24R	
	24V AC/DC	Green	855E-LL24G	
		Amber	855E-LL24A	
		Blue	855E-LL24B	
		White*	855E-LL24W	
	120V AC	Red	855E-LL10R	
		Green	855E-LL10G	
		Amber	855E-LL10A	
		Blue	855E-LL10B	
	240V AC	White*	855E-LL10W	
		Red	855E-LL20R	
		Green	855E-LL20G	
		Amber	855E-LL20A	
			Blue	855E-LL20B
			White*	855E-LL20W
	Caps (top of stack)	Color	Cat. No.	
	The cap is installed to the top of the uppermost light module. No cap is needed if the top module is a sound module, or a light/with sound module.	Black	855T-ABCAP	
The cap is installed to the top of the uppermost light module. No cap is needed if the top module is a sound module, or a light/with sound module.	Gray	855T-AGCAP		
	Gaskets			
	Lens O-Ring Seal Replacement rubber O-rings are to be installed between all bases, light, sound, and light/with sound modules. (Must order multiples of 5.)	855T-ALSG		
	Surface Mount Gasket			
	Replacement flat gasket is to be placed between the mounting surface and the surface mount base. (Must order multiples of 5.) To be used with Cat. No. 855T-BSB and 855T-BCB bases.	855T-ASFG		
	Pole Foot Gasket			
	Replacement flat gasket is to be placed between the mounting surface and the pole base bottom foot. (Must order multiples of 5.) To be used with Cat. No. 855T-BPM10, 855T-BPM25, and 855T-BPM40 pole bases.	855T-APFG		

* White LED lamps are to be used with a lens option of Clear.

70mm Control Tower™ Stack Lights

Accessories, Continued

	Description	Cat. No.
	<p>Gaskets Vertical Mount Gasket Replacement flat gasket is to be placed between the mounting surface and the vertical mount base. (Must order multiples of 5.)</p>	855T-AVFG
	<p>Tube Mount Gasket Replacement O-ring gasket is to be placed in the tube mount pole opening before the tube is installed (BTM- and GTM-type bases). (Must order multiples of 5.)</p>	855T-AVTG
	<p>Mounting Screw Washer Kit Replacement flat washers are used to provide a seal where the mounting screw meets the pole and vertical bases (not required for surface mount bases). (1 kit includes 20 pcs.)</p>	855T-AMSG
	<p style="text-align: center;">Description</p> <p>Junction Boxes Black Surface Mount with PG16 Threaded Side Entrance Black Surface Mount with M20 Threaded Side Entrance Black Surface Mount with 1/2 in NPT Threaded Side Entrance</p>	<p style="text-align: center;">Cat. No.</p> <p>855T-BSMP 855T-BSMR 855T-BSMN</p>
	<p>Black Vertical Mount with PG16 Side Entrance</p>	855T-BVMP
	<p>Black Vertical Mount with M20 Side Entrance</p>	855T-BVMR
	<p>Black Magnetic Mount with PG16 Threaded Side Entrance</p>	855T-BMMP
	<p>Black Magnetic Mount with M20 Threaded Side Entrance</p>	855T-BMMR
	<p>Black Magnetic Mount with 1/2 in NPT Threaded Side Entrance</p>	855T-BMMN
	<p>Black PG16 Threaded Hole Plug</p>	855T-ABUP
	<p>Black M20 Threaded Hole Plug</p>	855T-ABUR
	<p>Black PG16 Threaded Cable Gland</p>	855T-ABCP
	<p>Black M20 Threaded Cable Gland</p>	855T-ABCR
	<p>Black 1/2 in NPT Sealing Connector</p>	855T-ABHN
	<p>Package of 4 (M5 x 40 screws) for Mounting Pole Mount Base to Junction Box</p>	855T-AJBS
	<p>Vertical Mount Bracket For use with 855T Surface Mount Base</p>	440E-A17172

Bulletin 855T
70mm Control Tower™ Stack Lights
Specifications

Mechanical Ratings				
Shock and Vibration		Based on the weight and style of mounting; tower lights are subject to damage from shock and vibration. Listed below are reference guidelines for maximum acceptable conditions.		
		1 Module Stack	3 Module Stack	5 Module Stack
Standard Bases	Surface Mount Base or 10 cm Aluminum Pole Base	150 G Shock 5 G Vibration	45 G Shock 1.5 G Vibration	35 G Shock 0.75 G Vibration
	Vertical Base or 25 cm Aluminum Pole Base	95 G Shock 3.5 G Vibration	30 G Shock 1.25 G Vibration	20 G Shock 0.5 G Vibration
DeviceNet Bases	Surface Mount Base or 10 cm Aluminum Pole Base	50 G Shock 5 G Vibration	45 G Shock 1.5 G Vibration	35 G Shock 0.75 G Vibration
	Vertical Base or 25 cm Aluminum Pole Base	50 G Shock 3.5 G Vibration	30 G Shock 1.25 G Vibration	20 G Shock 0.5 G Vibration
Recommended Wire Sizes		0.5...2.5 mm2 (22...14 AWG)		
Recommended Terminal Torque		0.8 Nm (7 lb-in.)		
Environmental Ratings				
Ingress Ratings	Light Modules with Cap	IP65/UL Type 4/4X/13		
	Light Modules/with Sound	IP65/UL Type 4/4X/13		
	Sound Modules (SA1, SA2, TA1, TA2)	IP54/UL Type 12		
	Sound Modules (SA3, TA3)	IP65/UL Type 4/4X/13		
	Surface, Vertical, Tube Mount Bases	IP65/UL Type 4/4X/13		
	Pole Mount Bases (Aluminum)	IP65/UL Type 4/13		
	Pole Mount Bases (Stainless Steel)	IP65/UL Type 4/4X/13		
Temperature Ratings — All Products	Operating Temperature	-25...+70 °C (-13...+158 °F)		
	Storage Temperature	-40...+85 °C (-40...+185 °F)		
Materials				
Bases, Cap, Lens Cover, Sound Module Housings		Polycarbonate (94V-0)		
Lenses		Polycarbonate (94V-2)		
Lamp Socket		Polycarbonate (94V-2)		
Rubber Seals and Gaskets		Nitrile Rubber		
Pole (for aluminum pole assembly)		Aluminum		
Pole Base Footing (for aluminum pole base)		Glass-Filled Nylon 66		
Pole (for stainless steel pole assembly)		Stainless Steel		
Pole Base Footing (for stainless steel pole base)		Zinc		
Insulation Sleeve (for pole insulation)		Polystyrene/Polyphenylene Ether Blend		
Surface and Vertical Mount Pole Connection Box and Magnetic Mount Housing		Polycarbonate		
Mounting Screw Washers		Polypropylene		
DeviceNet Base Grommet		Neoprene		
DeviceNet Cable Jackets		CPR Chlorinated Polyethylene		
DeviceNet Cable Connectors		Santoprene		
Certifications				
UL/cUL File Number		All products — E14840		
CE		Standard Bases, Light Modules and Sound Modules— EN 60947-5-1 DeviceNet Bases — EN 60947-5-1, EN 50081-2		

70mm Control Tower™ Stack Lights

Specifications, Continued

Performance Ratings				
Description	12V AC/DC	24V AC/DC	120V AC	240V AC
Steady Incandescent	0.5 MSCP 6.3 Lumens	2.5 MSCP 31.4 Lumens	3.0 MSCP 37.7 Lumens	0.49 MSCP 6.2 Lumens
Flashing Incandescent	0.5 MSCP 6.3 Lumens	2.5 MSCP 31.4 Lumens	3.0 MSCP 37.7 Lumens	0.49 MSCP 6.2 Lumens
Light Output	3 Joules			
Strobe	3 Joules			
Steady, Flashing, Socket Mount LED Red	6800 mcd			
Steady, Flashing, Socket Mount LED Green	10000 mcd			
Steady, Flashing, Socket Mount LED Amber	4000 mcd			
Steady, Flashing, Socket Mount LED Blue	3000 mcd			
Steady, Flashing, Socket Mount LED White	2700 mcd			
Operating Voltage				
Description	12V AC/DC	24V AC/DC	120V AC	240V AC
Light Only Modules	12V AC/DC (± 10%)	24V AC/DC (± 10%)	110V AC 50 Hz (± 10%)	230V AC 50 Hz (± 10%)
Light Modules/with Sound			120V AC 60 Hz (± 10%)	240V AC 60 Hz (± 10%)
Sound Modules				
Lamp Life Ratings (Design Life) Average Life Under Static, No Vibration, Conditions				
Description	12V AC/DC	24V AC/DC	120V AC	240V AC
Incandescent Modules†‡	8000 hrs	7000 hrs	3000 hrs	1600 hrs
LED Modules	100000 hrs			
Strobe Modules	15000 hrs			
Sound Modules	20000 hrs			

† First failures at about 35% of average life. Failures under severe vibration at 44% of average life.

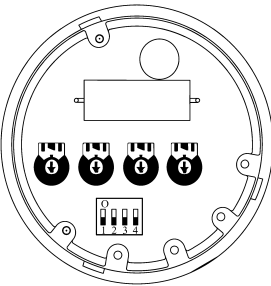
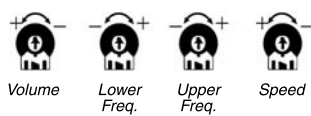
‡ Using lamps in flashing applications can reduce published life expectancy by as much as 50%.



Current Consumption					
Description		12V AC/DC	24V AC/DC	120V AC	240V AC
Light Only Modules	Steady Incandescent	208 mA	271 mA	58 mA	23 mA
	Steady or Flashing LED	47 mA	28 mA	11 mA	11 mA
	Strobe	240 mA	170 mA	50 mA	35 mA
Light Modules/ with Sound	Steady Incandescent/with Sound	218 mA	281 mA	78 mA	43 mA
	Flashing Incandescent/with Sound	218 mA	281 mA	78 mA	43 mA
	Steady or Flashing LED/with Sound (Red, Amber, Yellow)	100 mA	62 mA	22.5 mA	20 mA
	Flashing Incandescent/with Sound	65 mA	35 mA	22.5 mA	20 mA
	Steady or Flashing LED/with Sound (Green, Blue, White)	250 mA	180 mA	70 mA	55 mA
Transducer Style Sound Modules	Single and Two Circuit Modules	30 mA	65 mA	110V/50 Hz 120V/60 Hz 60 mA	230V/50 Hz 240V/60 Hz 60 mA
Piezo Style Sound Modules	Single and Two Circuit Modules	27 mA	45 mA	43 mA	40 mA
DeviceNet Bases		—	70 mA	—	—
Flashing Frequency (Light Only Modules)					
Flashing Incandescent Modules		12V module approximately 1.5 Hz 24V, 120V, and 240V modules approximately 2 Hz Time ON/Time OFF = 1:1			
Flashing LED Modules		Flashing frequency approximately 1.5 Hz Time ON/Time OFF = 1:1			
Strobe Modules		Flashing frequency approximately 2 Hz (flash duration 1/50,000 second)			
Flashing and Tone Frequency (Light Modules/with Sound Set at Continuous Tone)					
Tone Frequency		Tone frequency is preset at 2400 Hz or 3300 Hz			
Flashing Incandescent/with Sound		12V module approximately 1.5 Hz 24V, 120V, and 240V modules approximately 1.6 Hz			
Flashing LED/with Sound		Flashing frequency approximately 1.5 Hz			
Strobe/with Sound		Flashing frequency approximately 1.4 Hz			
Flashing and Tone Pulsing Frequencies (Light Modules/with Sound Set at Pulsing Tone)					
Tone Frequency		Tone frequency is preset at 2400 Hz or 3300 Hz			
Steady Incandescent/with Sound		Sound Pulsing Frequency — 1.5 Hz			
Flashing Incandescent/with Sound		Flashing and Pulsing Frequency the same for 12V module approximately 1.5 Hz, for 24V, 120V, and 240V modules approximately 1.6 Hz			
LED Steady/with Sound		Sound Pulsing Frequency — 1.5 Hz			
LED Flashing/with Sound		Flashing and Pulsing Frequency the same at 1.5 Hz			
Strobe/with Sound		Flashing and Pulsing Frequency the same at 1.4 Hz			
dB Rating (Sound Modules)					
All dB(A) ratings determined at a distance of 1 meter from sound module					
Selectable Tone Sound Module (SA1, TA1)		Maximum volume ranges from 64...103 dB(A) (volume adjustable) Based on tone selected for all settings except signal horn which has a maximum of 80 dB(A)			
Piezo Sound Module (SA2, TA2)		High 97 dB / Low 85 dB, selectable via dip switch			
Piezo Sound Module (SA3, TA3)		High 107 dB / Low 92 dB, selectable via dip switch			
Piezo Light Modules and Light Modules/with Sound (set at continuous or pulsing tone)		High 107 dB / Low 92 dB, selectable via dip switch			
Leakage Current Impact					
All light modules, sound modules, and light/sound modules are capable of absorbing up to 3 mA of leakage current from solid-state outputs without module activation. Some light and light modules/with sound may not turn off completely when connected to solid-state outputs which emit leakage current. The table below identifies modules that were affected by an output module emitting a maximum of 3 mA. A dry contact can be used to eliminate the effect of leakage current.					
12V AC/DC, 24V AC/DC, 120V AC, 240V AC		All light/sound combination modules			
DeviceNet Bases					
Baud Rate Options		125 K, 250 K, 500 K, Autobaud			

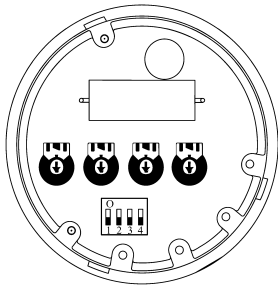



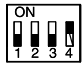





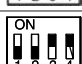
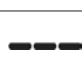








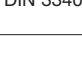
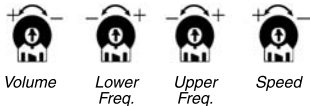



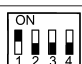


















Bulletin 855T
70mm Control Tower™ Stack Lights
 Tone Tables

Transducer Style Single Tone/Single Circuit Sound Module (SA1)

	Dip Switch Position	Tone Description	Speed	Upper Frequency	Lower Frequency	Volume	
 <p>Adjustable Sound Settings</p>		Triangle Tone		7...22 Hz	1500 Hz	500 Hz	80... 100 dB(A)
		Continuous Tone		—	*	500 Hz	83... 100 dB(A)
		Interrupted Tone		0.5... 1.5 Hz	*	500... 1500 Hz	83... 103 dB(A)
		Changing Tone		0.5... 1.5 Hz	500... 1500 Hz	500... 1500 Hz	83... 103 dB(A)
		Saw Tooth Tone Ascending		0.5... 1.5 Hz	500... 1500 Hz	500... 1500 Hz	83... 103 dB(A)
		Saw Tooth Tone Descending		0.5... 1.5 Hz	500... 1500 Hz	500... 1500 Hz	83... 103 dB(A)
 <p>Rotated View of Sound Settings</p>		Sine Wave Tone		0.5... 1.5 Hz	500... 1500 Hz	500... 1500 Hz	82... 102 dB(A)
		DIN-Emergency Signal	DIN 33404	1 Hz	1200 Hz	500 Hz	82... 102 dB(A)
		Siren (Non- Repeating)		2...4 s	1500 Hz	500 Hz	83... 103 dB(A)
		Signal Horn Continuous Tone		—	*	100... 350 Hz	64... 80 dB(A)
		Three Tone Gong		2...4 s	660 Hz 550 Hz 440 Hz		76... 95 dB(A)
		Two Tone Gong		2...3 s	550 Hz 440 Hz		75... 93 dB(A)
		Gong		1...3 s	*	500... 1500 Hz	75... 93 dB(A)

* Set to maximum (+).

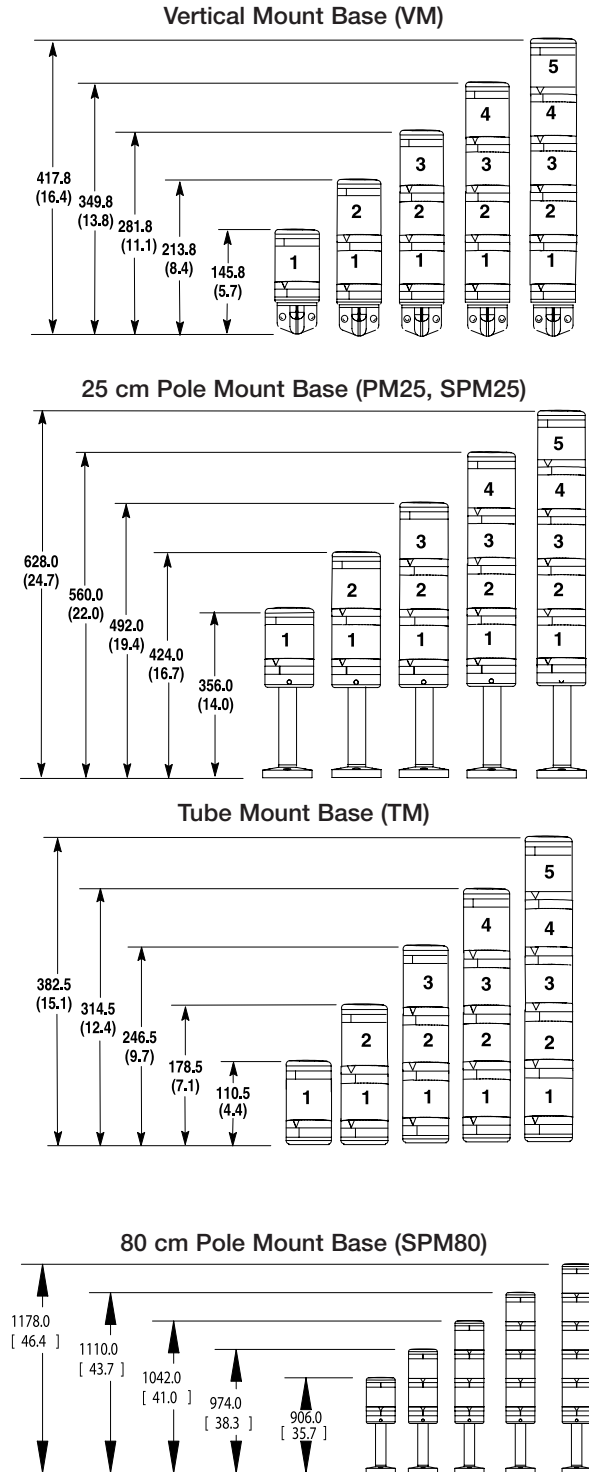
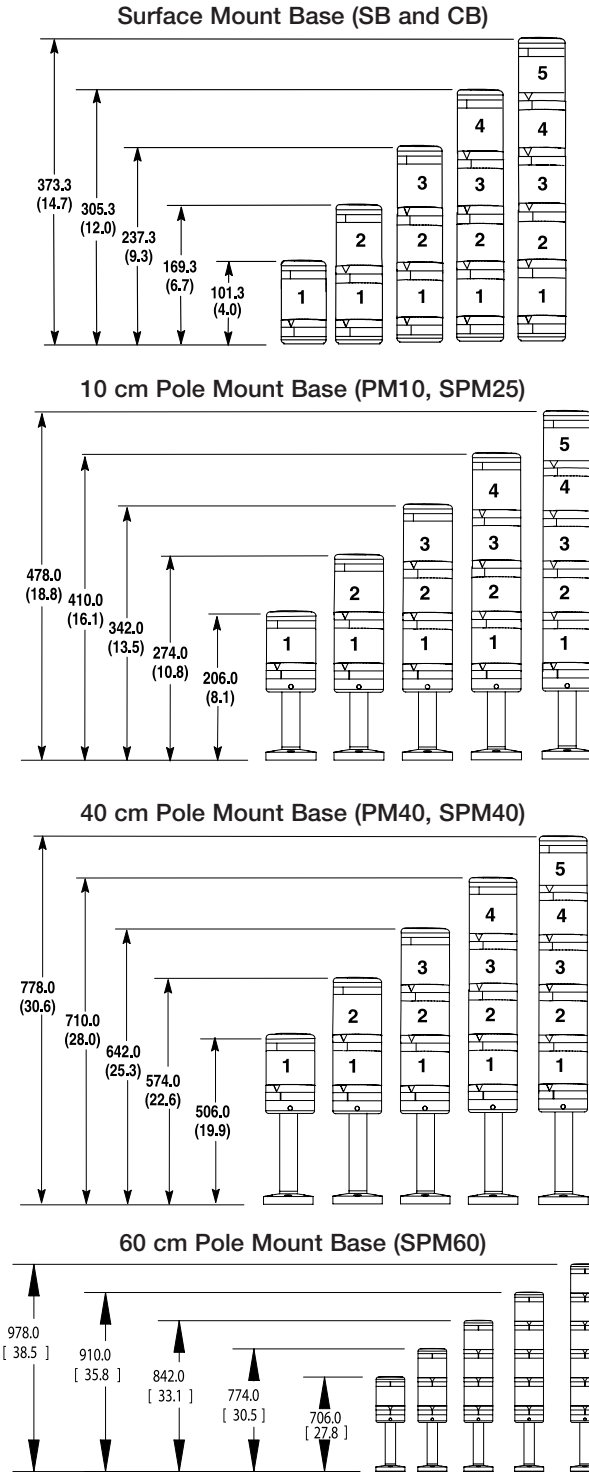
Transducer Style Dual Tone/Dual Circuit Sound Module (TA1)

	Dip Switch Position	Tone A		Tone B	
 <p>Adjustable Sound Settings</p>		Triangle Tone		Continuous Tone	
		Continuous Tone		Changing Tone	
		Continuous Tone		Interrupted Tone	
		Interrupted Tone		Three Tone Gong	
		Interrupted Tone		Siren (Non-Repeating)	
		Changing Tone		DIN-Emergency Signal	DIN 33404
		Saw Tooth Tone Ascending		Continuous Tone	
 <p>Rotated View of Sound Settings</p>		Saw Tooth Tone Descending		Interrupted Tone	
		Sine Wave Tone		DIN-Emergency Signal	DIN 33404
		DIN-Emergency Signal	DIN 33404	Three Tone Gong	
		Siren (Non-Repeating)		Triangle Tone	
		Signal Horn (Continuous Tone)		Continuous Tone	
		Three Tone Gong		Sine Wave Tone	
		Two Tone Gong		Two Tone Gong (Non-Repeating)	
		Gong		Continuous Tone	

Bulletin 855T
70mm Control Tower™ Stack Lights
 Approximate Dimensions

Dimensions in millimeters (inches). Dimensions are not intended to be used for manufacturing purposes.

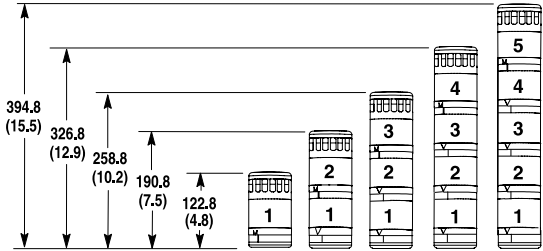
Assembled Stacks — Light Modules Only



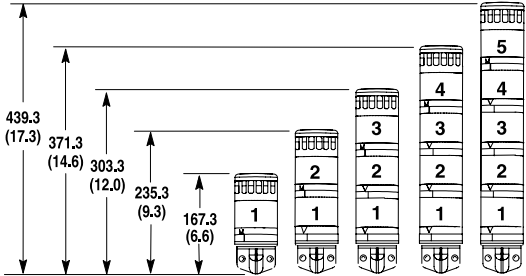
Dimensions in millimeters (inches). Dimensions are not intended to be used for manufacturing purposes.

Assembled Stacks — Light Module/with Sound on Top*

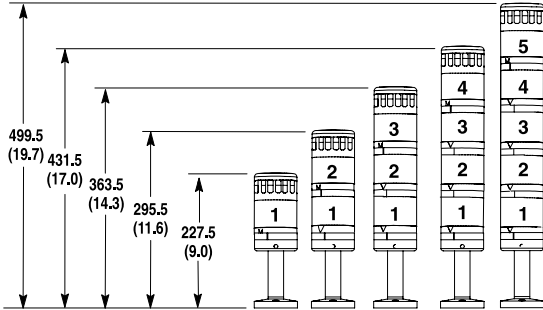
Surface Mount Base (SB and CB)



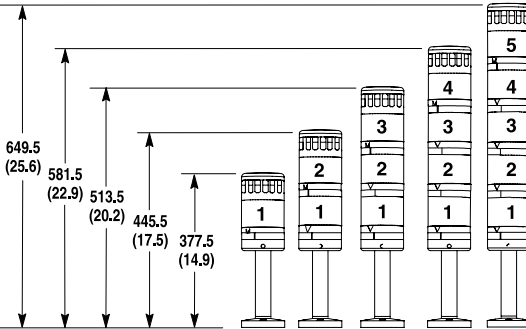
Vertical Mount Base (VM)



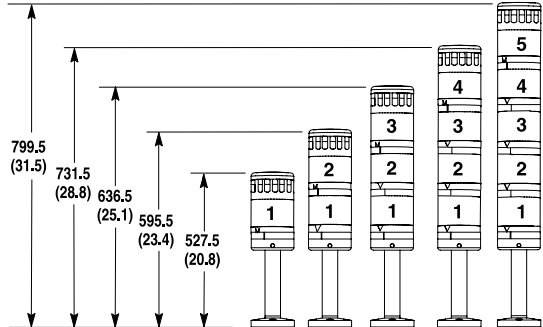
10 cm Pole Mount Base (PM10, SPM10)



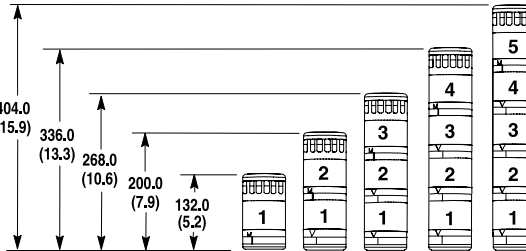
25 cm Pole Mount Base (PM25, SPM25)



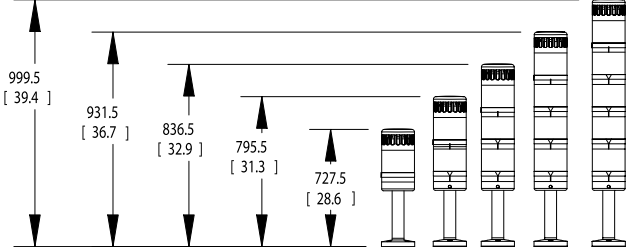
40 cm Pole Mount Base (PM40, SPM40)



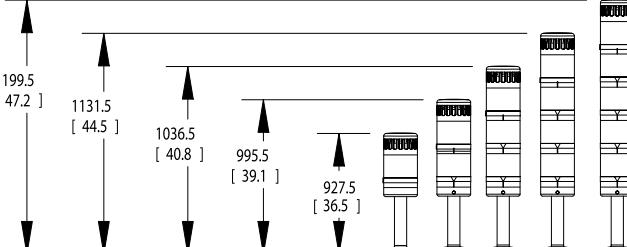
Tube Mount Base (TM)



60 cm Pole Mount Base (SPM60)



80 cm Pole Mount Base (SPM80)

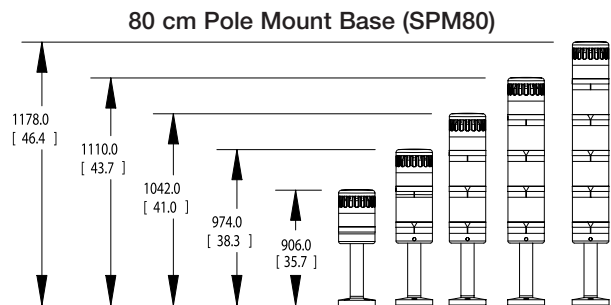
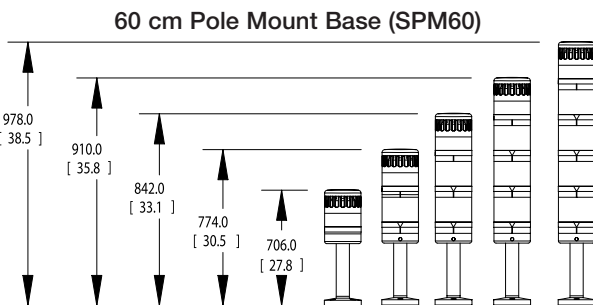
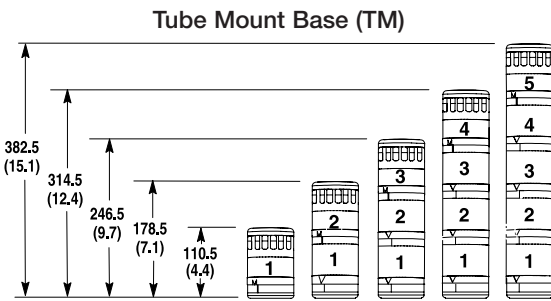
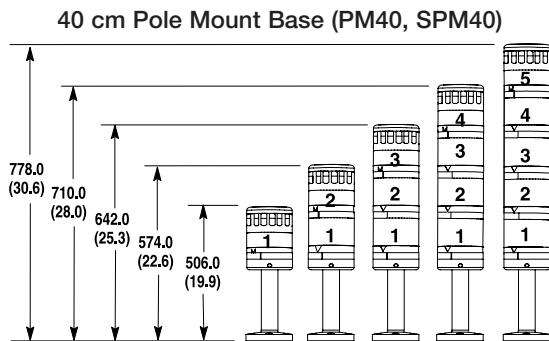
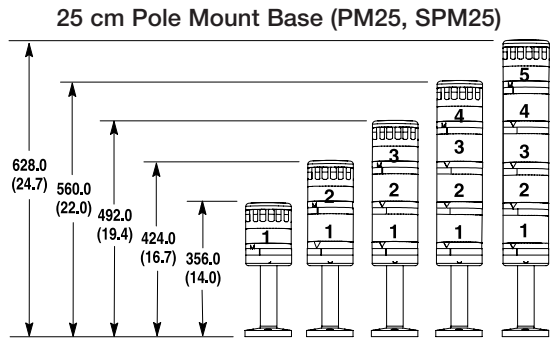
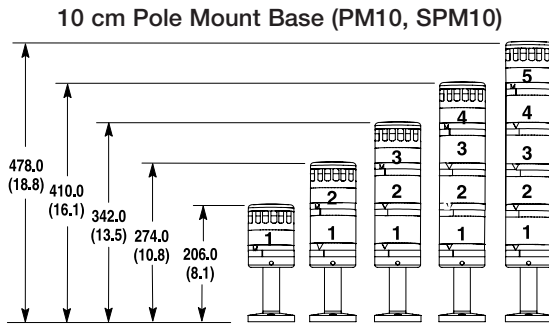
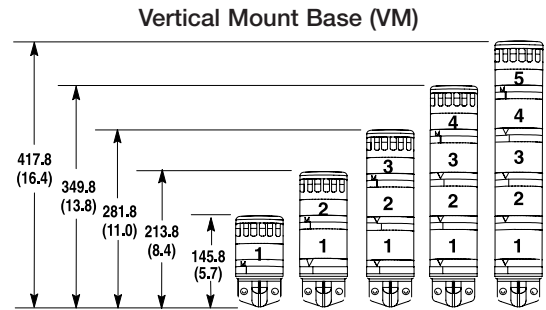
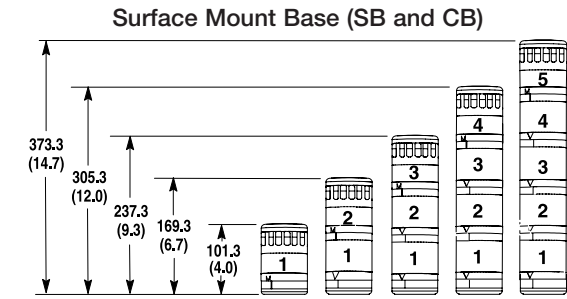


* A 2-circuit light/sound module uses two circuits in a stack. It can be used with a maximum of three light modules and must be placed in the top position of a stack.

Bulletin 855T
70mm Control Tower™ Stack Lights
 Approximate Dimensions, Continued

Dimensions in millimeters (inches). Dimensions are not intended to be used for manufacturing purposes.

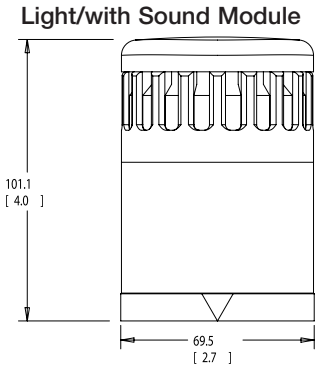
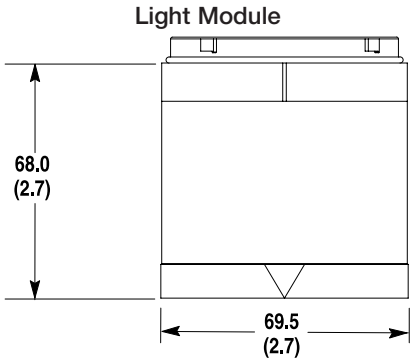
Assembled Stacks — Sound Module on Top*



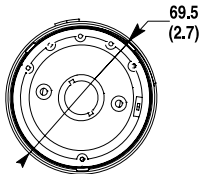
* A 2-circuit/dual tone sound module uses two circuits in a stack. It can be used with a maximum of three light modules and must be placed in the top position of a stack.

Dimensions in millimeters (inches). Dimensions are not intended to be used for manufacturing purposes.

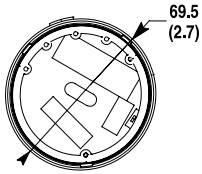
Component Dimensions



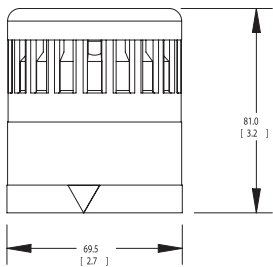
**Steady, Flashing
 Incandescent
 or LED**



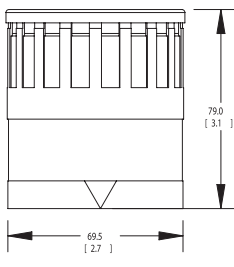
Strobe



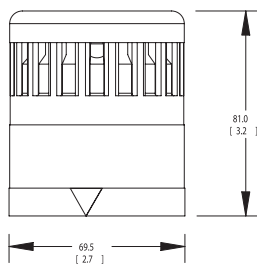
SA2 Sounder



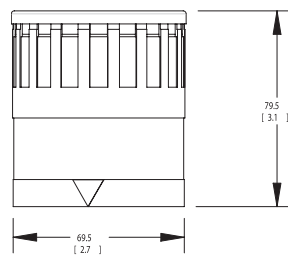
SA3 Sounder



TA2 Sounder



TA3 Sounder



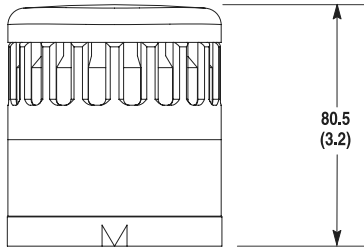
70mm Control Tower™ Stack Lights

Approximate Dimensions, Continued

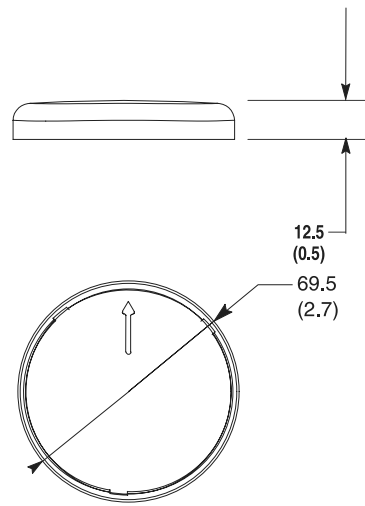
Dimensions in millimeters (inches). Dimensions are not intended to be used for manufacturing purposes.

Component Dimensions

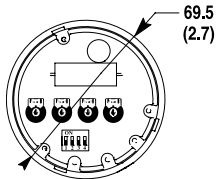
Transducer Style Sound Module



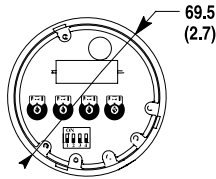
Cap



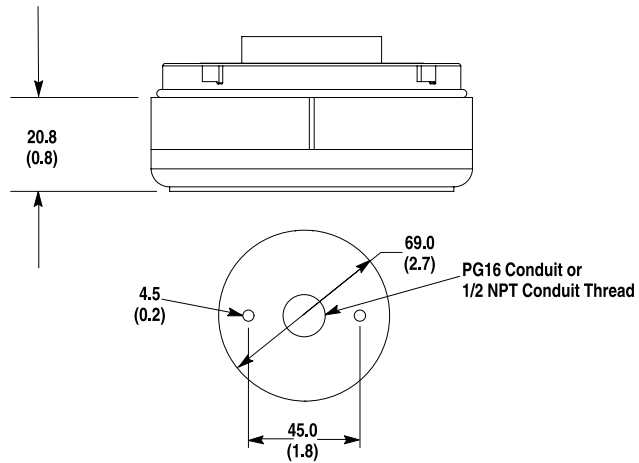
Single Tone Sound Module



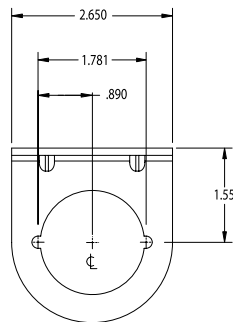
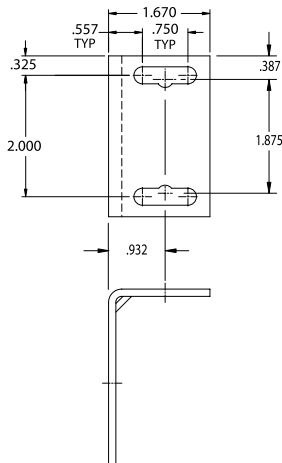
Dual Tone Sound Module



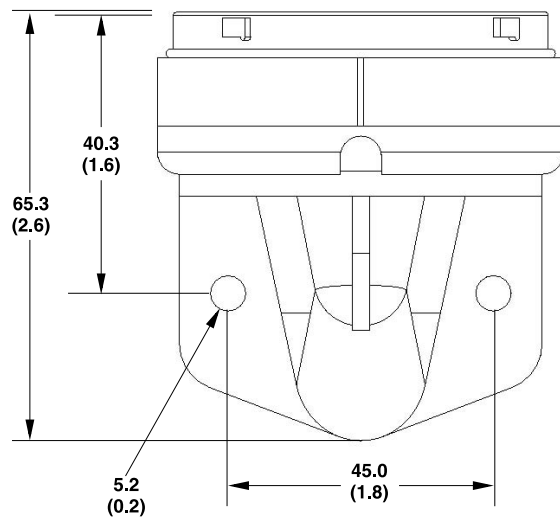
**Surface Mount Base
855T-BSB or 855T-BCB**



Vertical Mount Bracket



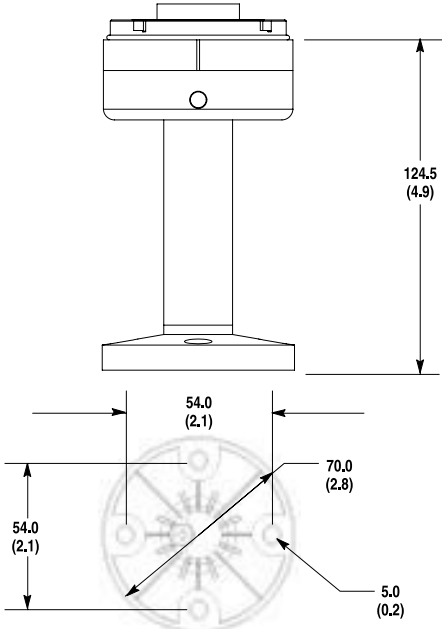
Vertical Mount Base



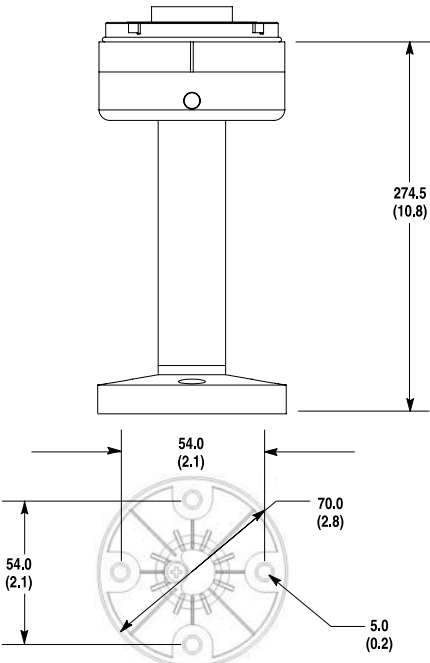
Dimensions in millimeters (inches). Dimensions are not intended to be used for manufacturing purposes.

Component Dimensions

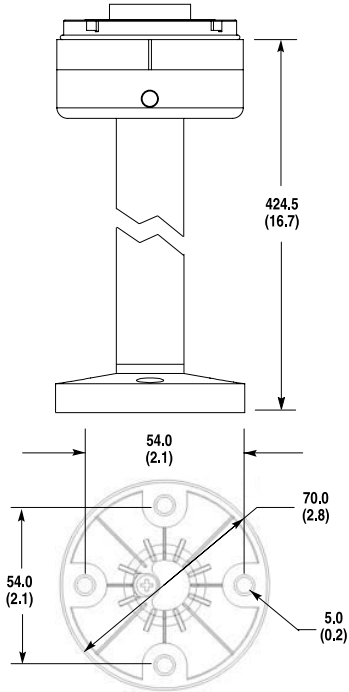
10 cm Pole Mount Base
 Aluminum or Stainless Steel



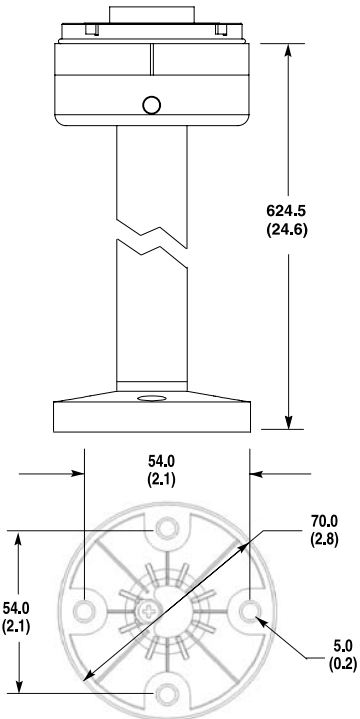
25 cm Pole Mount Base
 Aluminum or Stainless Steel



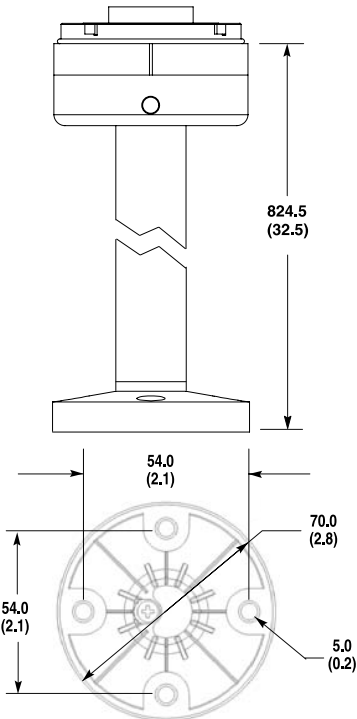
40 cm Pole Mount Base
 Aluminum or Stainless Steel



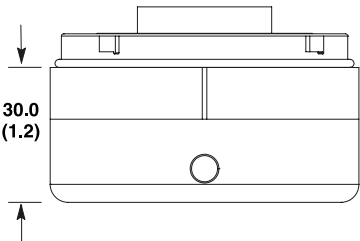
60 cm Pole Mount Base
 Aluminum or Stainless Steel



80 cm Pole Mount Base
 Aluminum or Stainless Steel



Tube Mount Base

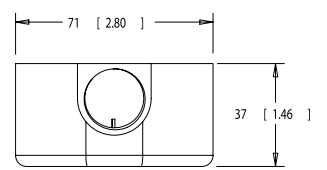
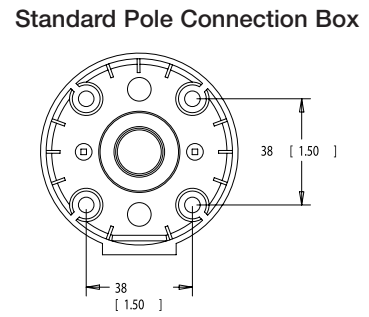
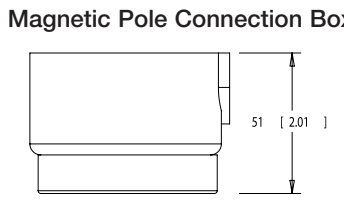
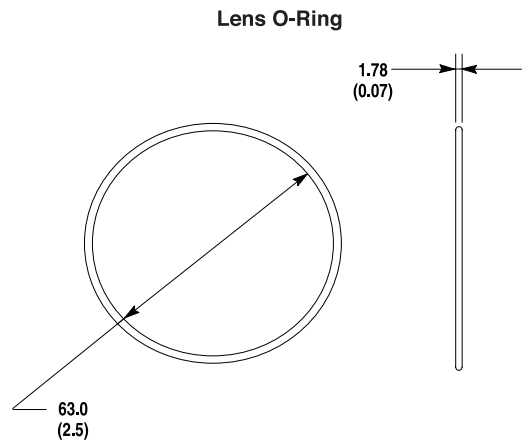
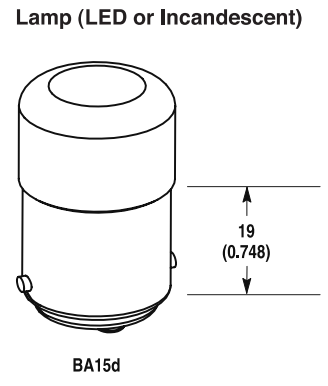
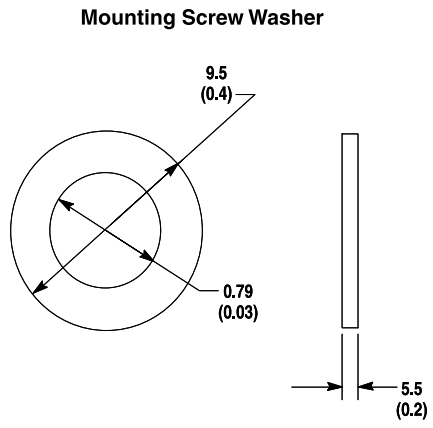
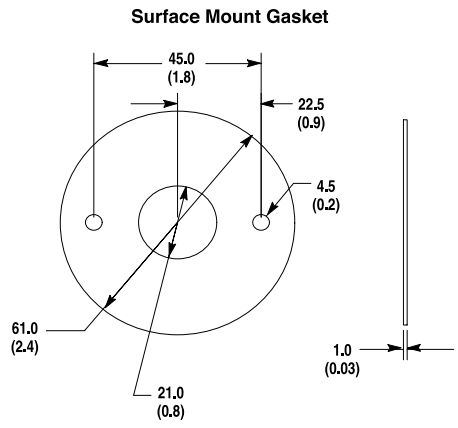
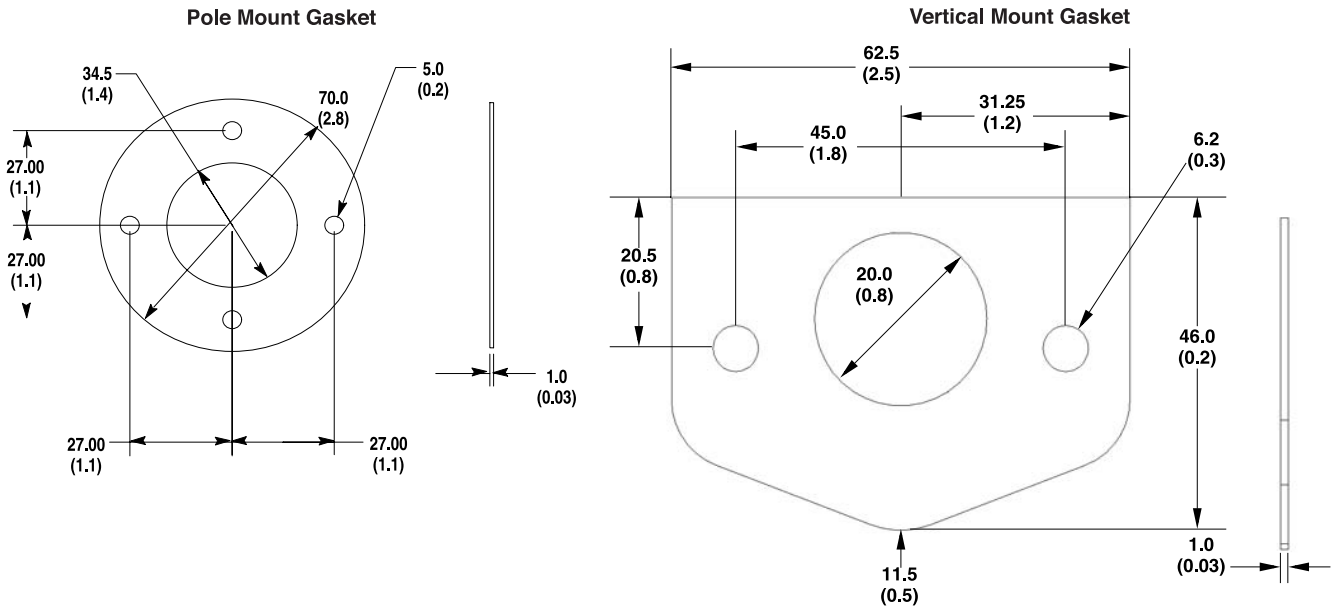


70mm Control Tower™ Stack Lights

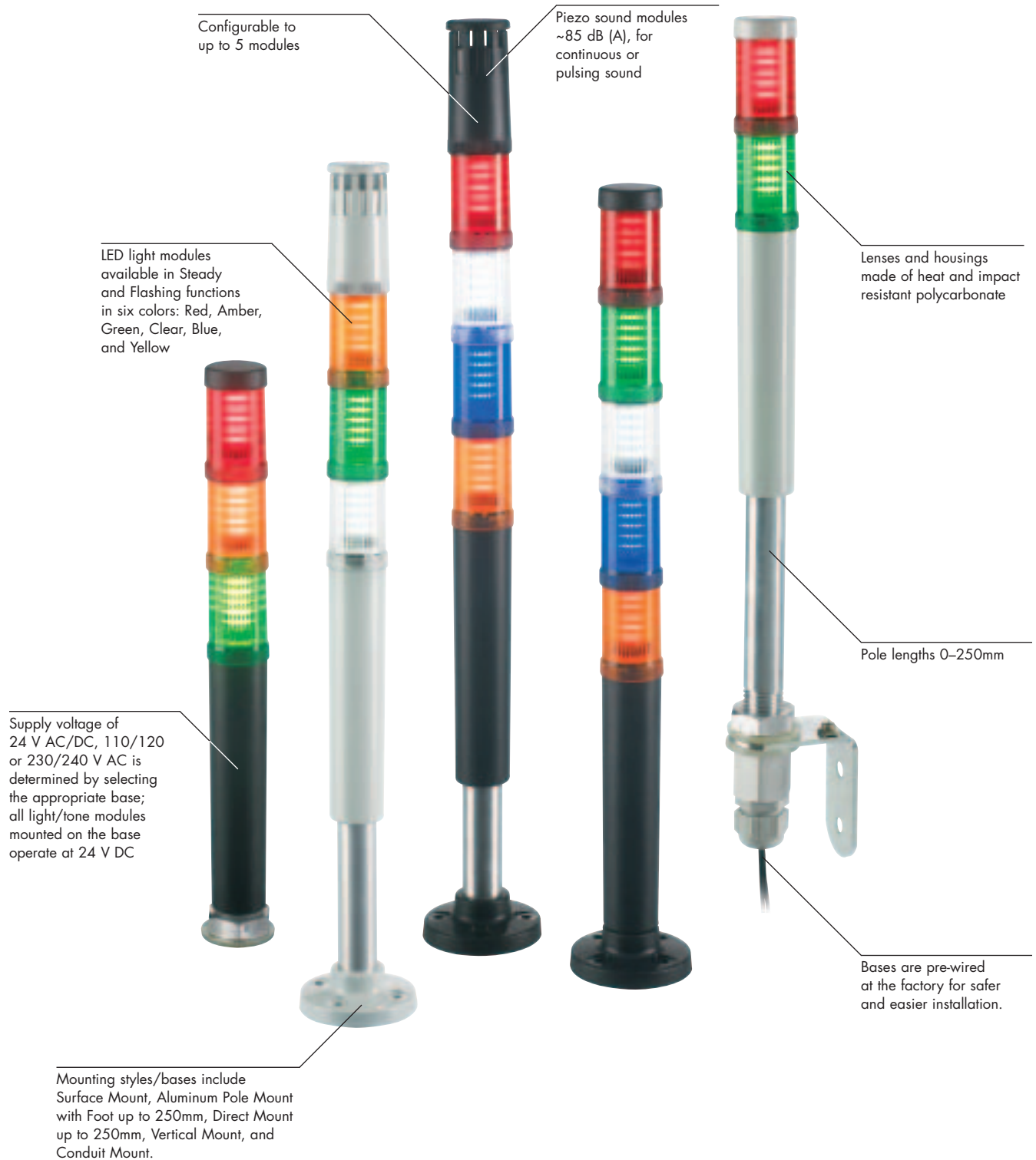
Approximate Dimensions, Continued

Dimensions in millimeters (inches). Dimensions are not intended to be used for manufacturing purposes.

Component Dimensions, Accessories



855D 30mm CONTROL TOWER STACK LIGHTS



EXCEPTIONAL COMPONENTS FOR ON-MACHINE™ SOLUTIONS

With On-Machine™ solutions, companies have less potential for wiring problems because wiring runs and the number of connections are minimized. Plus, On-Machine™ components are easily accessible, which leads to better diagnostics and faster parts changeout. This ultimately improves mean time to repair, cuts downtime, and boosts plant productivity.

While the concept and benefits seem clear, On-Machine™ is not an all-or-nothing strategy. Some control elements have always been located on the machine. What's changing; however, is the number of components moving from the cabinet closer to the point of application. Modular, compact components with plug-and-play capabilities, flexible communication networks, intelligent devices and hardware with improved environmental ratings are examples of products contributing to the On-Machine™ evolution.

Recent Industrial Control additions to the Allen-Bradley On-Machine™ solutions include: 800Z Zero-Force Touch Buttons™ Series B, 280 ArmorStart™, 855B Beacons, Insulation Displacement Connection (IDC) technology, and PanelConnect™ Input and Output Modules.



www.rockwellautomation.com

Power, Control and Information Solutions

Americas: Rockwell Automation, 1201 South Second Street, Milwaukee, WI 53204-2496 USA, Tel: (1) 414.382.2000, Fax: (1) 414.382.4444
Europe/Middle East/Africa: Rockwell Automation SA/NV, Vorstlaan/Boulevard du Souverain 36, 1170 Brussels, Belgium, Tel: (32) 2 663 0600, Fax: (32) 2 663 0640
Asia Pacific: Rockwell Automation, Level 14, Core F, Cyberport 3, 100 Cyberport Road, Hong Kong, Tel: (852) 2887 4788, Fax: (852) 2508 1846

Publication 855-SG001B-EN-P – July 2005
Supersedes Publication 855-SG001A-EN-P – August 2003

Copyright ©2005 Rockwell Automation, Inc. All Rights Reserved. Printed in USA.