



Solenoid valve 2/2 way N.C. Direct acting

21A3KR15
÷
21A2KR30

PRESENTATION:

Direct acting S.V. for interception of fluids compatible with the construction materials.

Minimum operational pressure is not required.

The materials used and the tests carried out ensure maximum reliability and duration.

USE: Hot water, Heating
Steam (180°C)

PIPES: G 1/8 - G 1/4

COILS: 8W - Ø 13
BDA - BSA 155°C (class F)
BDV 180°C (class H)

**COIL HOUSING AND COIL FORMER MATERIAL ARE
MADE BY 100% VIRGIN MATERIAL.**

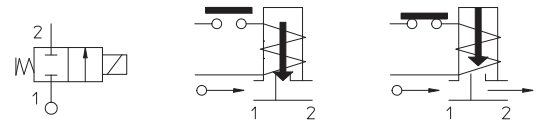
Max. allowable pressure (PS) 40 bar

Ambient temperature:

See coils catalogue page for its compatibility.



Gaskets	Temperature		Medium
R=RUBY	- 40°C	+180°C	Steam, water, mineral oils (2°E), gas oil, fuel oils (7°E)
T=PTFE (polytetrafluorethylen)	- 40°C	+180°C	Steam, water



For seals other than RUBY replace the letter "R" with the ones corresponding to the other seals. E.I. 21A3KT15.

Pipe ISO 228/1	Code	Max viscosity		Ø mm	Kv l/mn	Power watt	Pressure				
		cSt	°E				min bar	M.O.P.D.			
								AC bar	DC bar		
G 1/8	21A3KR15	12	~ 2	1,5	1,4	8	0	35	15		
	21A3KR20	37	~ 5	2	2			25	9		
	21A3KR25	53	~ 7	2,5	3,2			14	5		
	21A3KR30			3	4			10	4		
G 1/4	21A2KR15	12	~ 2	1,5	1,4			8	0	35	15
	21A2KR20	37	~ 5	2	2					25	9
	21A2KR25	53	~ 7	2,5	3,2					14	5
	21A2KR30			3	4					10	4

Note

Also available with brass body without lead.

The use of rigid sealings usually implies a slight leakage, limited within 2scc/min at the pressure of 1 bar.

The "ODE" reserves the right to carry out technical and aesthetic modifications without prior notice.

MATERIALS:

Body	Brass - UNI EN 12165 CW617N
Armature tube	Stainless steel AISI series 300
Fixed core	Stainless steel AISI series 400
Plunger	Stainless steel AISI series 400
Phase displacement ring	Copper - Cu 99,9%
Spring	Stainless steel AISI series 300
Seal	Standard: R=RUBY On request: T=PTFE
Orifice: Insert slot	Stainless steel AISI series 300

On request:

Connector	Pg 9 or Pg 11
Connector conformity	ISO 4400

FEATURES:

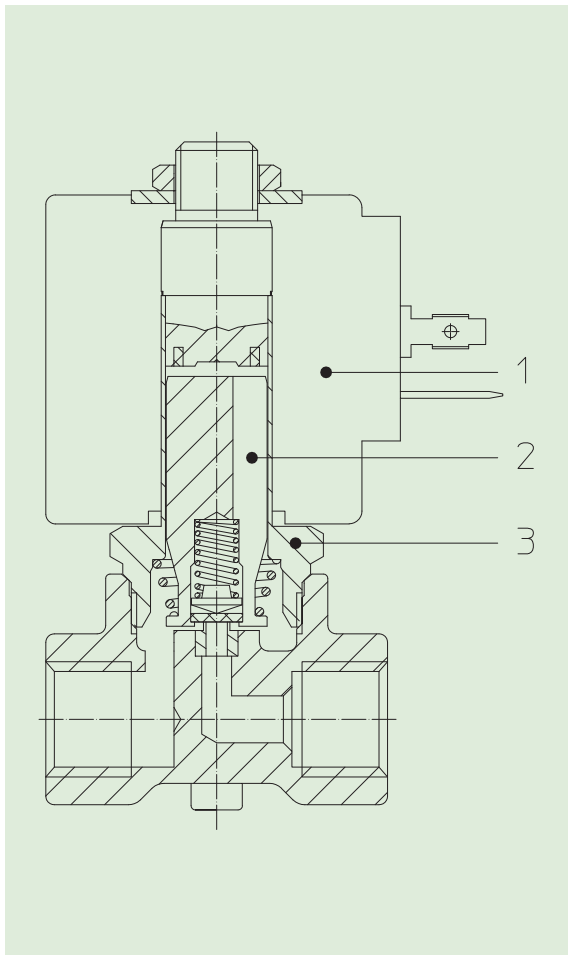
Electrical conformity	IEC 335
Protection degree	IP 65 EN 60529 (DIN 40050) with coil fitted by connector.

SPARE PARTS:

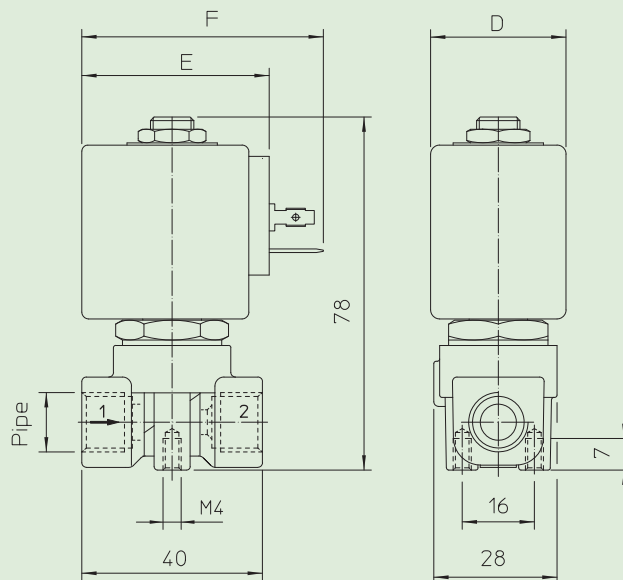
- Coil:**
See coils list
- Complete plunger:**
Code R450820/R
- Complete armature tube:**
Code R450606

KIT:

KT130KR30-A=2+3



DIMENSIONS:



Type	Pipe ISO 228/1
21A3KR	G 1/8
21A2KR	G 1/4

COIL TYPE	POWER ABSORPTION			DIMENSIONS		
	W ---	Hold VA ~	Inrush VA ~	D mm	E mm	F mm
B	8	14,5	25	30	42	54