



Main

Range of Product	Modicon X80
Product or Component Type	Serial links module
Concept	Serial link
Integrated connection type	RS232 RJ45 115.2 kbit/s 8 wires RS485 RJ45 57.6 kbit/s 1 twisted pair
Protective treatment	TC

Complementary

Supply	Internal power supply via rack
Marking	CE
Local signalling	For module fault (ERR) 1 LED (red) For module running (RUN) 1 LED (green) For activity on the serial link (SER COM 0) 1 LED (green) For activity on the serial link (SER COM 1) 1 LED (green)
Current consumption	80 mA 24 V DC
Module format	Standard
Net Weight	0.51 lb(US) (0.23 kg)

Environment

Ambient Air Temperature for Operation	32...140 °F (0...60 °C)
Relative Humidity	10...95 % without condensation
IP Degree of Protection	IP20
Directives	2014/35/EU - low voltage directive 2014/30/EU - electromagnetic compatibility

Ordering and shipping details

Category	18160-MODICON M340
Discount Schedule	PC34
GTIN	3595864024431
Returnability	Yes
Country of origin	FR

Packing Units

Unit Type of Package 1	PCE
Number of Units in Package 1	1
Package 1 Height	2.09 in (5.300 cm)
Package 1 Width	4.61 in (11.700 cm)
Package 1 Length	4.72 in (12.000 cm)
Package 1 Weight	7.69 oz (218.000 g)
Unit Type of Package 2	S02
Number of Units in Package 2	15

Package 2 Height	5.91 in (15.000 cm)
Package 2 Width	11.81 in (30.000 cm)
Package 2 Length	15.75 in (40.000 cm)
Package 2 Weight	7.91 lb(US) (3.590 kg)
Unit Type of Package 3	P06
Number of Units in Package 3	240
Package 3 Height	29.53 in (75.000 cm)
Package 3 Width	31.50 in (80.000 cm)
Package 3 Length	23.62 in (60.000 cm)
Package 3 Weight	145.37 lb(US) (65.940 kg)

Offer Sustainability

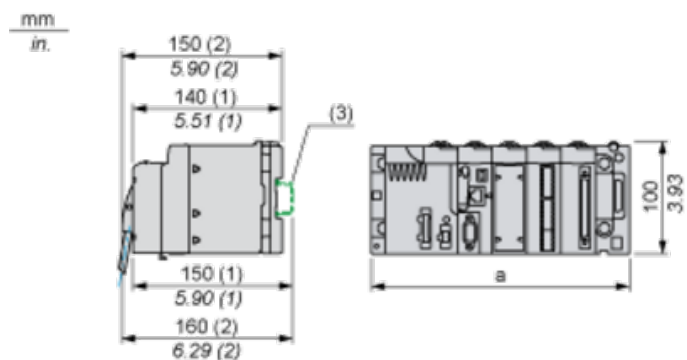
Sustainable offer status	Green Premium product
California proposition 65	WARNING: This product can expose you to chemicals including: Lead and lead compounds, which is known to the State of California to cause cancer and birth defects or other reproductive harm. For more information go to www.P65Warnings.ca.gov
REACH Regulation	REACH Declaration
EU RoHS Directive	Pro-active compliance (Product out of EU RoHS legal scope) EU RoHS Declaration
Mercury free	Yes
China RoHS Regulation	China RoHS Declaration
RoHS exemption information	Yes
Environmental Disclosure	Product Environmental Profile
Circularity Profile	End Of Life Information
WEEE	The product must be disposed on European Union markets following specific waste collection and never end up in rubbish bins.

Contractual warranty

Warranty	18 months
----------	-----------

Modules Mounted on Racks

Dimensions



(1) With removable terminal block (cage, screw or spring).

(2) With FCN connector.

(3) On AM1 ED rail: 35 mm wide, 15 mm deep. Only possible with BMXXBP0400/0400H/0600/0600H/0800/0800H rack.

Rack references	a in mm	a in in.
BMXXBP0400 and BMXXBP0400H	242.4	09.54
BMXXBP0600 and BMXXBP0600H	307.6	12.11
BMXXBP0800 and BMXXBP0800H	372.8	14.68
BMXXBP1200 and BMXXBP1200H	503.2	19.81