

2 WAY – BALL VALVE – FLANGED - DN150 (6") – PPGF, PVDF

Conform to the 2014/68/EU Directive



DN150 - PPGF

MAIN FEATURES

- Flanged compact ball valve, 2-piece construction limiting interfaces for an optimal sealing.
- Reinforced Flanges with metal inserts.
- Full 150mm bore
- Color Handle indicating type of Seals (Red = EPDM, Green = FPM, blue = FEP/FFPM)
- Inner Shape promoting flow and limiting retention zones.
- Moulded Sealing rings on Flanges. (Prevents the deformation of the Gasket).
- Easy to actuate manual valve by interchangeable handle to desired control. (Electric or Pneumatic).
- Screws and nuts in Uranus B6 (Consult us for other grades).

STANDARDS & APPROVALS



DGS/SD7A N°571 : Circular on the terms and conditions for the verification of the sanitary conformity of the constituent materials of accessories or subassembly accessories, consisting of organic elements in contact with water intended for human consumption (Food Grade Approval)



Products complying with the requirements of EN ISO Standard 15848-1 (Class B) and German standard TA-Luft VDI 2440, which define external leak criteria for leaktight systems.



NR320 : Certification scheme of materials and equipment for the classification of marine units

Les descriptions et caractéristiques figurant sur ce document sont données uniquement à titre d'information et non d'engagement contractuel. SAFI se réserve le droit d'effectuer sans préavis, toute modification.
SAFI has a policy of continuously developing its product range and the above data is subject to change without prior notification.

Die Beschreibungen und Daten, die sich auf diesem Dokument befinden, sind rein informativ und unverbindlich. SAFI behält sich vor, ohne Vorankündigung Änderungen vorzunehmen, die als technisch notwendig erachtet werden.
Las descripciones y características que figuran en este documento son indicativas. En ningún caso son contractuales. SAFI se reserva el derecho sin previo aviso de efectuar cualquier modificación.

SAFI

Av. Jacques Moison – BP 1
26770 TAULIGNAN
FRANCE
Tél.: (+33) 4 75 53 56 29
Fax : (+33) 4 75 53 62 78
info@safi-valves.com

SAFI Limited

35 Holton Road
Holton Heath Trading Park
POOLE Dorset - BH16 6LT
UNITED KINGDOM
Tél.: (+44) 1202 624618
Fax : (+44) 1202 628500
sales@safi-valves.com

SAFI Deutschland

Kunststoffarmaturen
Vertriebs GmbH
Jahnstrasse 29
64319 PFUNGSTADT
DEUTSCHLAND
Tél. : (+49) 61 57 81 919
Fax : (+49) 61 57 82 025
info-deutschland@safi-valves.com

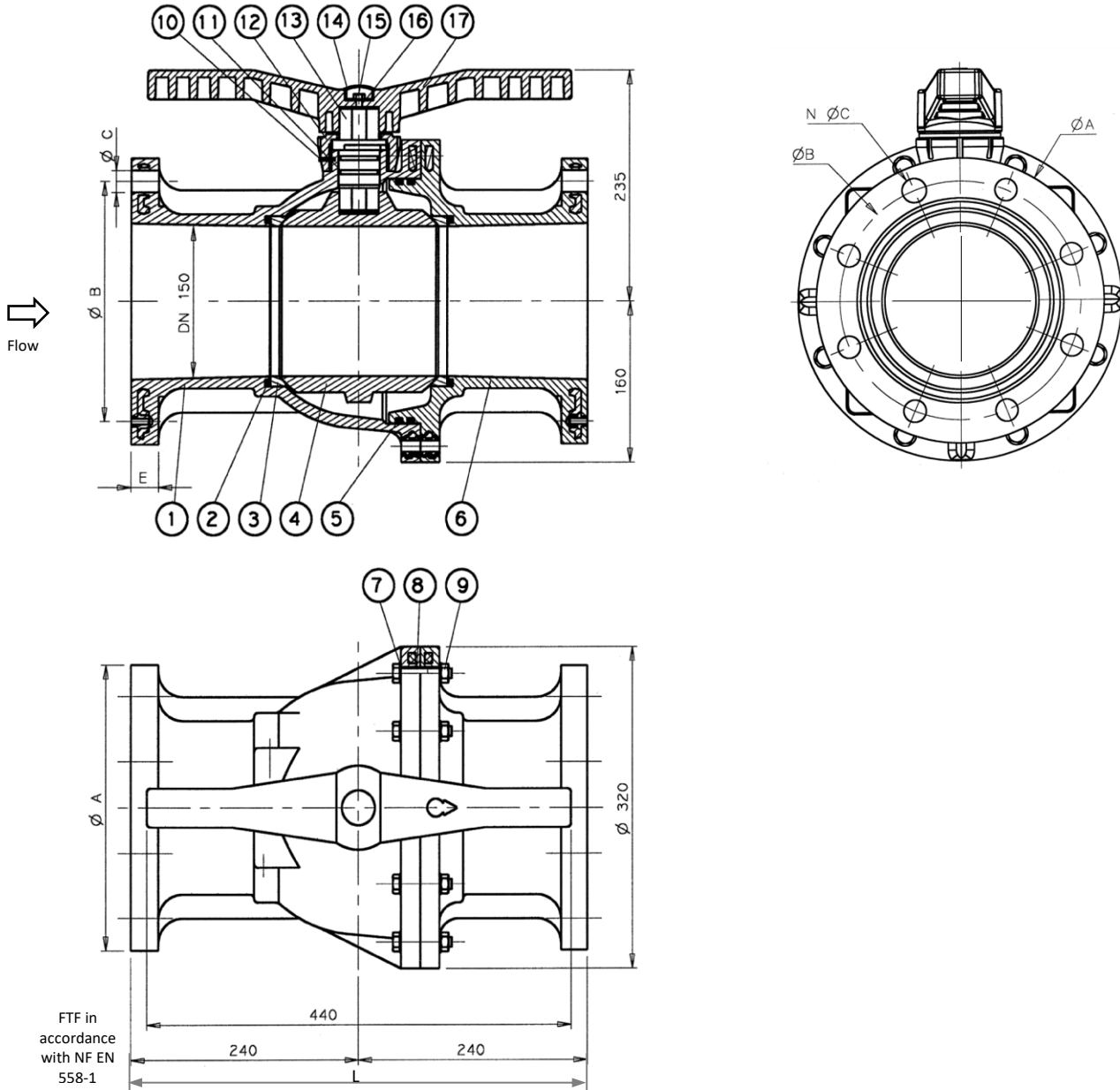
SAFI Fabrica de Valvulas

C/ Carboners, 35
Pol. Ind. La Cometa
43700 EL VENDRELL
TARRAGONA-ESPAÑA
Tel.: (+34) 977 665 147
Fax : (+34) 977 664 989
info@safi-valvulas.com

SAFI America

Las Garzas Trade Center
Las Garzas #950, B
Quilicura
SANTIAGO – CHILE
Tél.: (+56 2) 2 510 3500
Fax : (+56 2) 2 510 3507
info@safi-america.com

DIMENSIONS



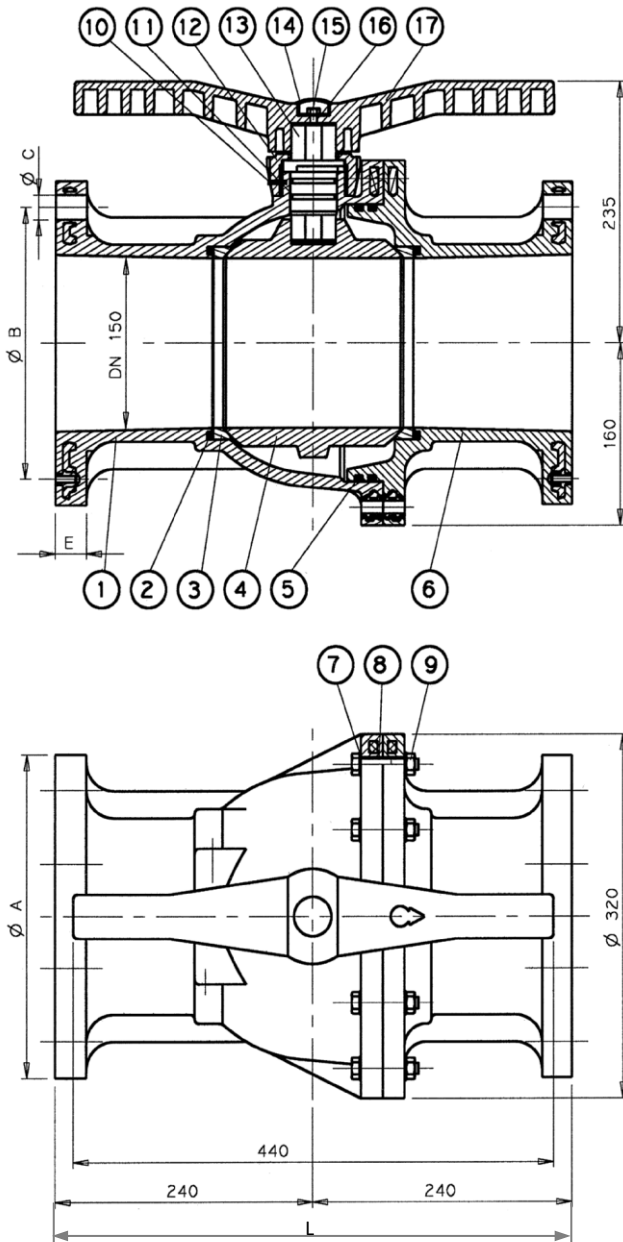
DN	DIN Flanges				ANSI Flanges				BS Flanges				WEIGHT (in Kg)			
	$\varnothing A$	$\varnothing B$	N	$\varnothing C$	$\varnothing A$	$\varnothing B$	N	$\varnothing C$	$\varnothing A$	$\varnothing B$	N	$\varnothing C$	E	L	PPGF	PVDF
150	285	240	8	22	285	241,3	8	22.22	279	234.95	8	19.05	26	480	15	20

DIN = Drilling in accordance with EN 1092-1 PN10/PN16 - ANSI = Drilling in accordance with EN1759-1/ASME B16.5 Class 150 - BS = Drilling in accordance with BS10 Table D (BS)

Les descriptions et caractéristiques figurant sur ce document sont données uniquement à titre d'information et non d'engagement contractuel. SAFI se réserve le droit d'effectuer sans préavis, toute modification.
SAFI has a policy of continuously developing its product range and the above data is subject to change without prior notification.

Die Beschreibungen und Daten, die sich auf diesem Dokument befinden, sind rein informativ und unverbindlich. SAFI behält sich vor, ohne Vorankündigung Änderungen vorzunehmen, die als technisch notwendig erachtet werden.
Las descripciones y características que figuran en este documento son indicativas. En ningún caso son contractuales. SAFI se reserva el derecho sin previo aviso de efectuar cualquier modificación.

PARTS LIST

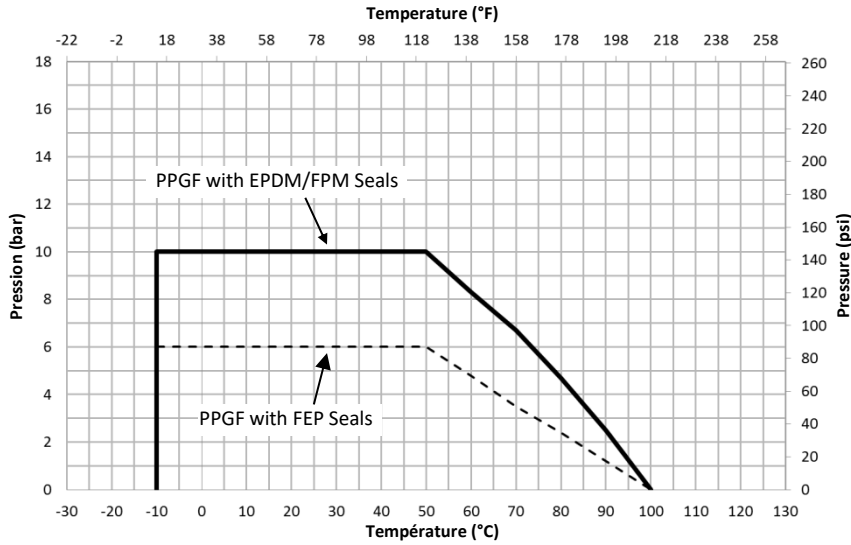


N°	QTY	DESCRIPTION	MATERIAL
1	1	MAIN BODY DIN/ANSI/BS	PPGF, PVDF
2*	2	SEAT O-RING	EPDM, FPM**, FEP
3*	2	SEAT	PTFE
4*	1	BALL	PPGF, PVDF
5*	2	O-RING	EPDM, FPM
6	1	SECONDARY BODY DIN/ANSI/BS	PPGF, PVDF
7	16	WASHER Z10	UB6
8	8	SCREW TH M10x60	UB6
9	8	NUT H10	UB6
10	1	GRUB SCREW	SS 304
11*	2	O-RING	EPDM, FPM**, FFPM
12	1	NUT	PPGF, PVDF
13*	1	STEM WITH METAL INSERT	PPGF, PVDF
14	1	BLOCKAGE CAP	PE
15	1	SCREW TH M6x20	UB6
16	1	WASHER M6	UB6
17	1	RED HANDLE	PPGF
		GREEN HANDLE	PPGF
		BLUE HANDLE	PPGF

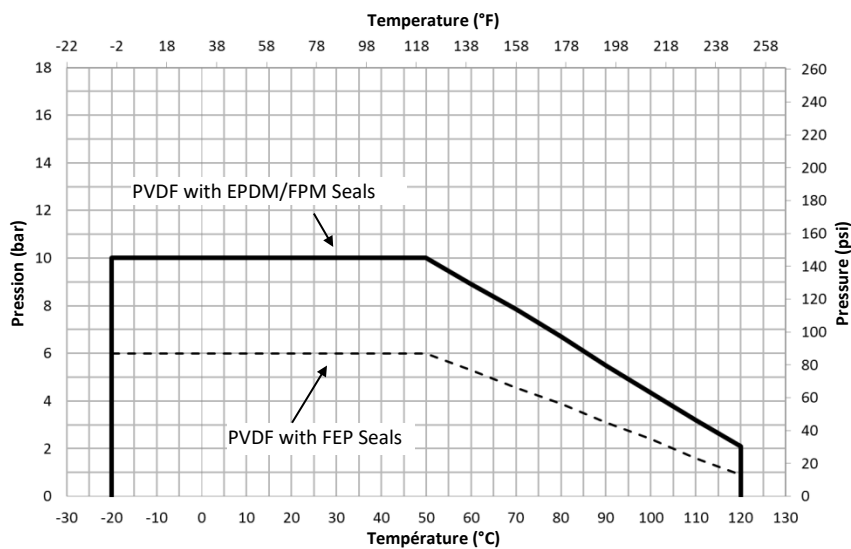
(*) Spare Parts (**) FPM type SAFKM5

DIN = Drilling in accordance with EN 1092-1 PN10/PN16
 ANSI = Drilling in accordance with EN1759-1/ASME B16.5 Class 150
 BS = Drilling in accordance with BS10-Table D

PRESSURE / TEMPERATURE CURVES



PPGF



PVDF

Les descriptions et caractéristiques figurant sur ce document sont données uniquement à titre d'information et non d'engagement contractuel. SAFI se réserve le droit d'effectuer sans préavis, toute modification.
SAFI has a policy of continuously developing its product range and the above data is subject to change without prior notification.

Die Beschreibungen und Daten, die sich auf diesem Dokument befinden, sind rein informativ und unverbindlich. SAFI behält sich vor, ohne Vorankündigung Änderungen vorzunehmen, die als technisch notwendig erachtet werden.
Las descripciones y características que figuran en este documento son indicativas. En ningún caso son contractuales. SAFI se reserva el derecho sin previo aviso de efectuar cualquier modificación.

Pressure /Temperature Summary

Type of Seals	Working Pressure	Working Temperature	
		PPGF	PVDF
EPDM	10 bars at 20°C	- 10°C to +100°C	- 20°C to +120°C
FPM	10 bars at 20°C	- 10°C to +100°C	- 20°C to +120°C
FEP/FFPM	6 bars at 20°C	- 10°C to +100°C	- 20°C to +120°C

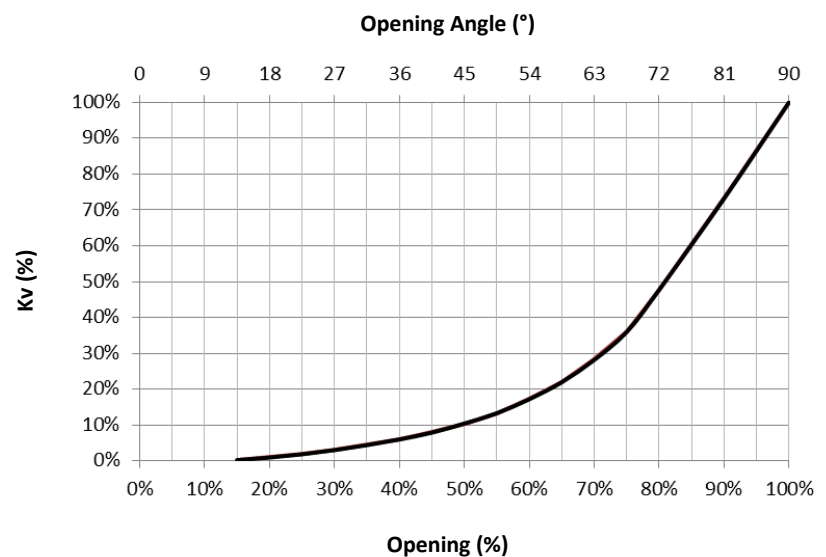
The mechanical characteristics of the FPM and FFPM seals subjected to an ambient temperature below -5°C require the implementation of proper insulation on the valves equipped with such seals. Contact us for more information.

PRESSURE LOSS

DN	Kv (m^3/h)
150	1287,0

Kv defined according to NF EN 1267

Our valves are guaranteed for an average fluid velocity in the pipeline of ≤ 2 m/s. Please contact us with the working conditions for any higher speed.



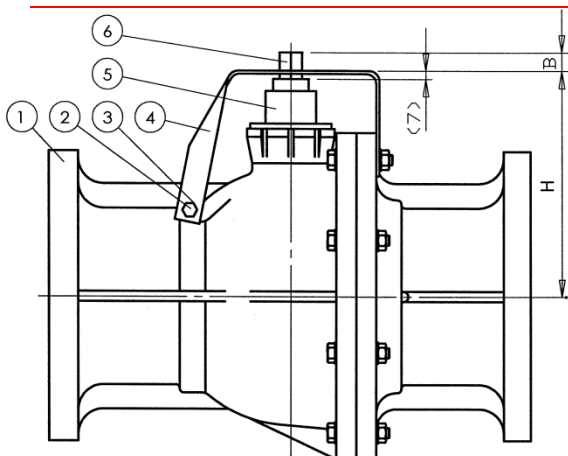
CHEMICAL RESISTANCE

The chemical resistance of the valve is subject to the type of fluid, the temperature, the pressure, as well as the materials and seals of the valve.

Please contact us to have a personalized analysis of the resistance of one of our products to a given fluid

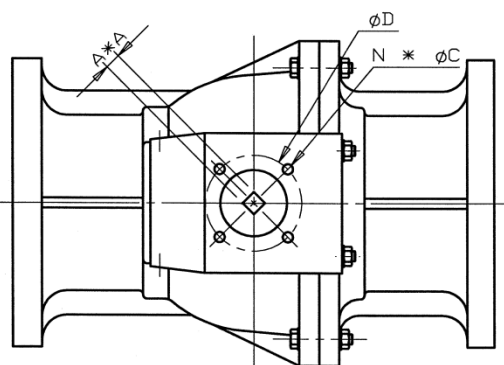
You can also consult, for information only, the table given in ISO 10358. However, this table cannot be considered as a recommendation by SAFI who could not be held liable for the use of this document.

OPTION: MOUNTING KIT (ISO 5211)



N°	QTY	DESCRIPTION	MATERIAL
1	1	2-Way Ball Valve DN150	PPGF / PVDF
2	2	Screw M8	SS 316
3	2	Washer M8	SS 316
4	1	Bracket F07*	SS 304+Epoxy
		Bracket F10*	SS 304+Epoxy
5	1	Square Drive	ZAMAK+Epoxy
6	1	Square Drive of 17 *	SS 304
		Square Drive of 22	SS 304

(*): For a F07 Bracket, the square drive of 17 is recommended.
For a F10 Bracket, the square drive of 22 is recommended.



DN	H	ISO 5211 FIXINGS									
		F07					F10				
		A	B	N	ØC	ØD	A	B	N	ØC	ØD
150	225	17*	15	4	Ø8,5	70	17	15	4	Ø10,5	102
	225	22	21	4	Ø8,5	70	22*	21	4	Ø10,5	102

Other Dimensions : On Request *Suggested Assembly

Available Kits

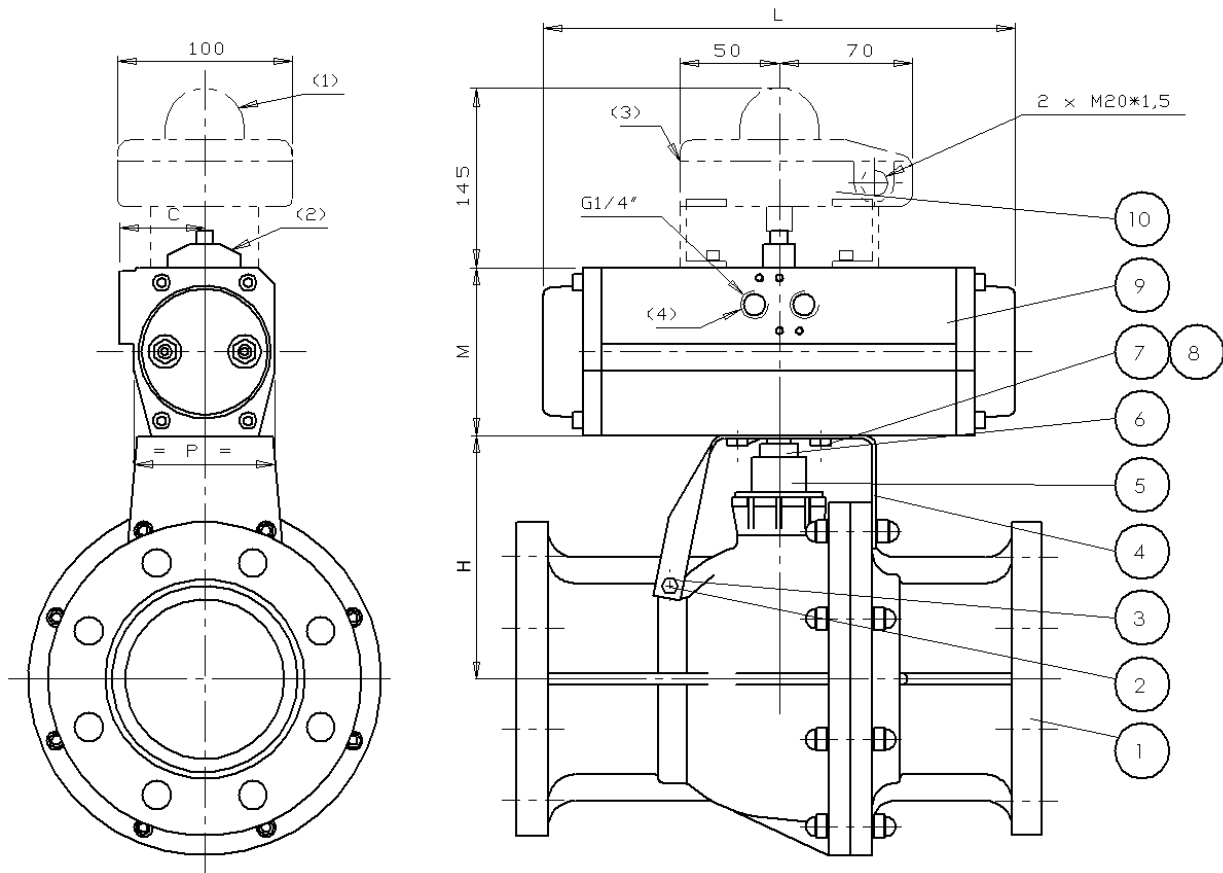
DN	ISO 5211 FIXINGS (CONNECTION / SQ* 45°)		Weight of Kit	PRODUCT CODE
DN150	F07	17	Contact us	KIT0152
	F10	22		KIT0154

*SQ = Square drive 45°

Minimum operating torque required to actuate valve

MINIMUM REQUIRED TORQUE (Safety Coefficient x2 included)		
DN	PPGF	PVDF
DN150	120 N.m	100 N.m

OPTION: PNEUMATIC ACTUATION



N°	QTY	DESCRIPTION	MATERIAL
7	4	Screw	SS316
8	4	Washer	SS316
9	1	Actuator Double Acting or Fail Safe	Aluminium or Stainless Steel
10	1	Limit Switch Box (option)	Aluminium ou Stainless Steel

- (1) Visual position indicator of Limit Switch Box.
- (2) Visual position indicator of Actuator
- (3) Limit Switch Box (option)
- (4) NAMUR mounting pattern for electro pneumatic control

Pneumatic Actuators recommendation according to DN and Material of the Valves

ALUMINUM Actuator

DN	ACTUATOR	ISO 5211 FIXINGS (CONNECTION/DSS*)		H	C	L	M	P	WEIGHT of Actuator in Kg	PRODUCT CODE	MATERIAL
DN150	Double Acting (DA)	F05-F07	17	See dimensions for each DN on page 6	73	367	168,5	145	10,65	2007-83F	Actuator in Aluminum
	Fail Safe	F07-F10	22		73	367	168,5	145	13,21	2007-84I (NC) 2007-85I (NO)	

*DSS = Double Square Socket NC= Normally Closed – NO = Normally Open

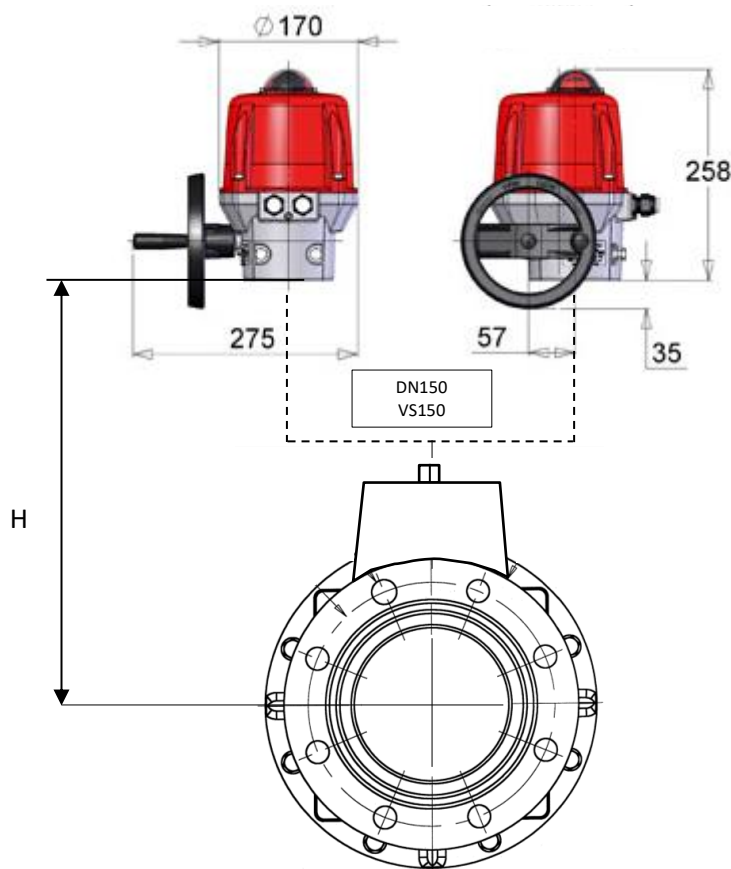
Find all the information concerning these actuators by consulting our TDS-ACTPN-0001 data sheet.

Contact us, for other type of Actuators or Limit Switch Boxes

Les descriptions et caractéristiques figurant sur ce document sont données uniquement à titre d'information et non d'engagement contractuel. SAFI se réserve le droit d'effectuer sans préavis, toute modification.
SAFI has a policy of continuously developing its product range and the above data is subject to change without prior notification.

Die Beschreibungen und Daten, die sich auf diesem Dokument befinden, sind rein informativ und unverbindlich. SAFI behält sich vor, ohne Vorankündigung Änderungen vorzunehmen, die als technisch notwendig erachtet werden.
Las descripciones y características que figuran en este documento son indicativas. En ningún caso son contractuales. SAFI se reserva el derecho sin previo aviso de efectuar cualquier modificación.

OPTION: ELECTRIC ACTUATION

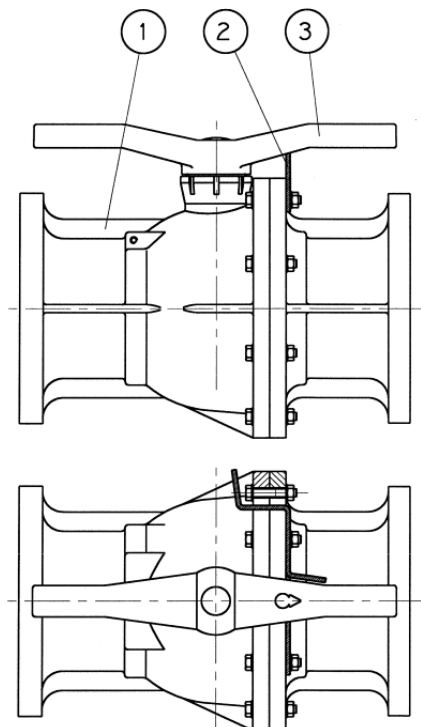


DN	MODEL	ISO 5211 FIXINGS (CONNECTION/DSS*)		H	WEIGHT KG	PRODUCT CODE	MATERIAL	ROTATION 90°
DN150	VS150 (15-30V AC 12-48VDC)	F07-F10	22	See dimensions for each DN on page 6	5,1 à 6,4	2907-46C	Alu + PA6	30s
	VS150 (90-240V AC 90-350VDC)	F07-F10	22		5,1 à 6,4	2907-46A	Alu + PA6	30s
	VS150 (400V three phase)	F07-F10	22		5,1 à 6,4	2907-46H	Alu + PA6	20s

*DSS = Double Square Socket

Find all the information concerning these actuators by consulting our TDS-ACTEL-0001 product sheet

OPTION: LOCKING SYSTEM



N°	QTY	DESCRIPTION	MATERIAL	CODE
1	1	Ball Valve DN150	PPGF, PVDF	-
2	1	Handle Stop	SS 304 + Epoxy	1102-06
3	2	Drilled Handle Ø8	PPGF	-

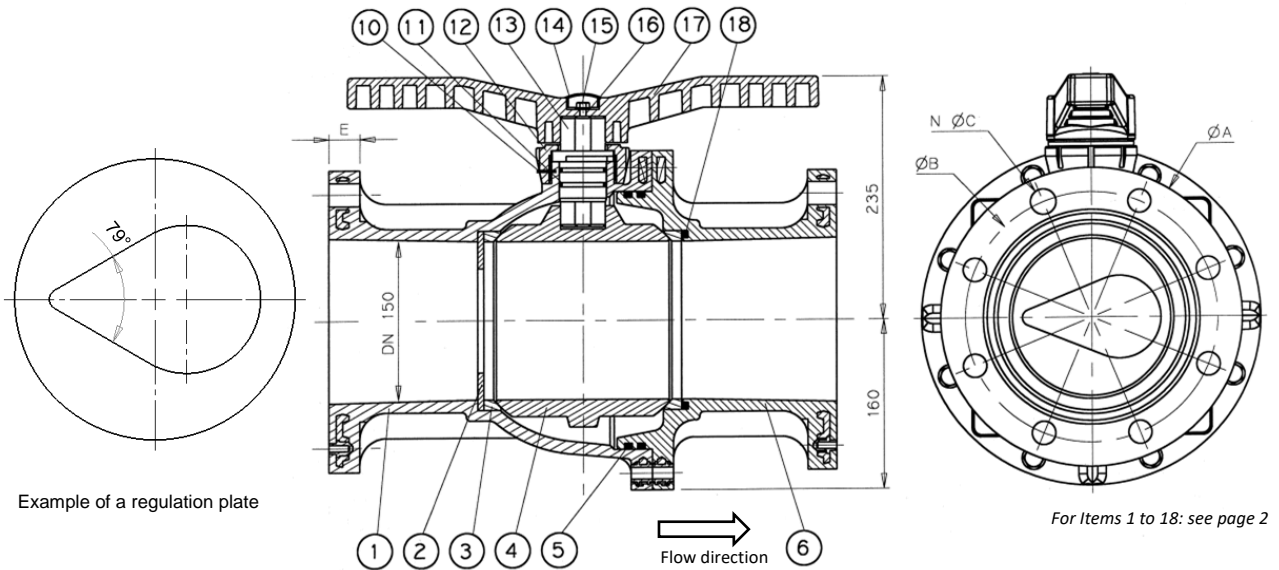
*For Padlock wire Ø7

Contact us for a Locking system in Stainless Steel 316

Information:

- 1) The Locking system is directly built-in the DN150 PVDF Ball Valves.
- 2) The Locking system does not include Padlock.

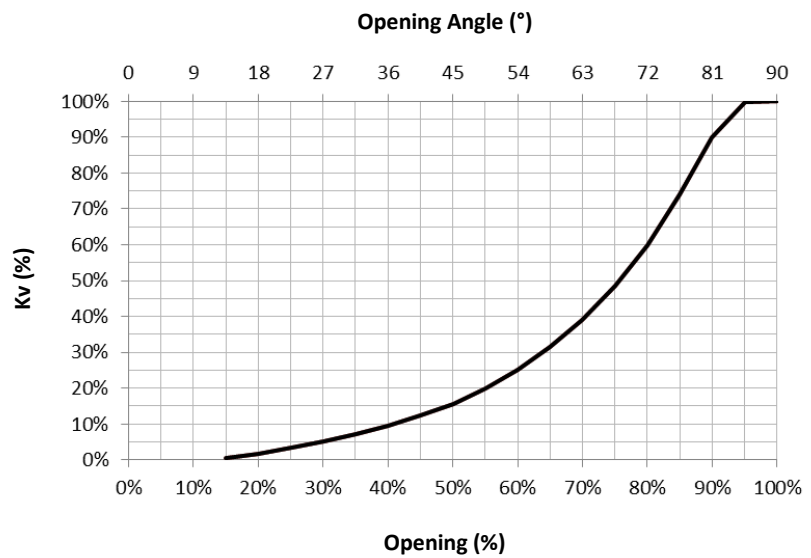
OPTION: FLOW REGULATION PLATE



N°	DESCRIPTION	MATERIAL	QUANTITY
2	REGULATION PLATE	PVDF	1

DN	Kv (m ³ /h)
150	686,0

Kv defined according to NF EN 1267



OTHER AVAILABLE OPTIONS

- . Manual Operation with Spring Return
- . Extended Stem
- . Thermal Insulation Extension
- . Limit Switch Box

Contact us, for more information on the Available Options.

DETERMINING A PRODUCT CODE

TYPE	SPECIFICATION	DN	FITTING (Inlet)	FITTING (Outlet)	SEALS
2008 = PPGF Ball Valve 2029 = PVDF Ball Valve	- = Standard Ball Valve O = With Regulation Plate	09 = DN150 (PPGF) 10 = DN150 (PVDF)	F = Flanges with drilling in accordance with EN 1092-1 PN10/PN16 (DIN) G = Flanges with drilling in accordance with EN1759-1/ASME B16.5 Class 150 (ANSI) H = Flanges with drilling in accordance with (BS10 table D)	F = Flanges with drilling in accordance with EN 1092-1 PN10/PN16 (DIN) G = Flanges with drilling in accordance with EN1759-1/ASME B16.5 Class 150 (ANSI) H = Flanges with drilling in accordance with (BS10 table D)	E = EPDM V = FPM type SAFKM5 P = FEP+FFPM

Example: 2008-09FFE

2008	-	09	F	F	E
PPGF Ball Valve	Standard	DN150	Flange with drilling in accordance with EN 1092-1 PN10/PN16 (DIN)	Flange with drilling in accordance with EN 1092-1 PN10/PN16 (DIN)	EPDM

Example: Ball Valve + ACTUATOR: 2008-09FFE + KIT0152 + 2007-84I

2008-09FFE	+	KIT0152	+	2007-84I
PPGF Ball Valve, STANDARD DN150 With Flanges drilling in accordance with EN1092-1 PN10/PN16 (DIN) EPDM Seals	+	MOUNTING KIT for a DN150	+	Pneumatic Actuator Fail Safe Normally Closed (NC)

Example: Ball Valve + LOCKING SYSTEM: 2008-09FFE + 1102-06

2008-09FFE	+	1102-06
PPGF Ball Valve, STANDARD DN150 With Flanges drilling in accordance with EN1092-1 PN10/PN16 (DIN) EPDM Seals	+	LOCKING SYSTEM For a DN150 in PPGF