

DATA SHEET

VT 4.40

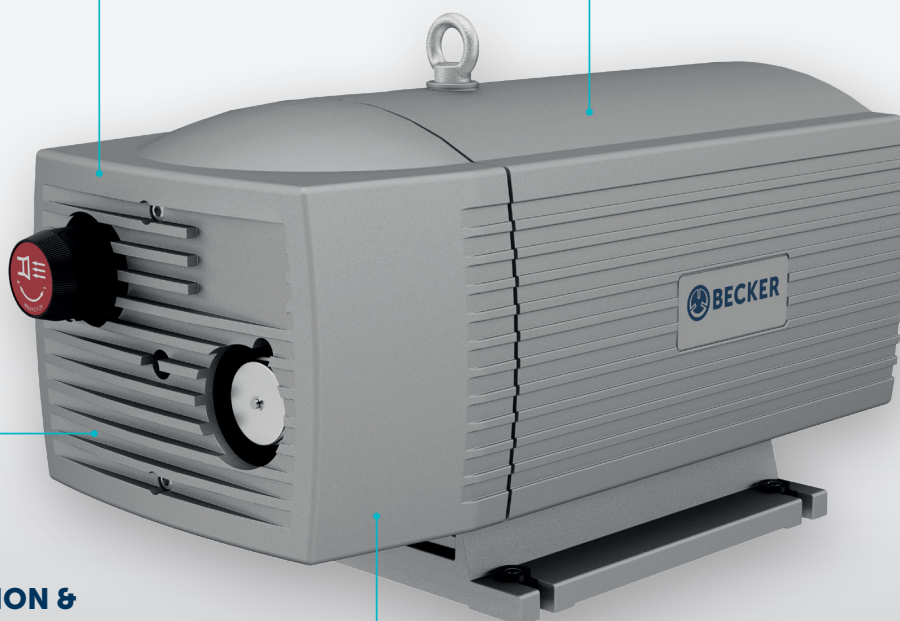
ROTARY VANE VACUUM PUMPS

oil-free
air-cooled

MAKE IT BECKER.

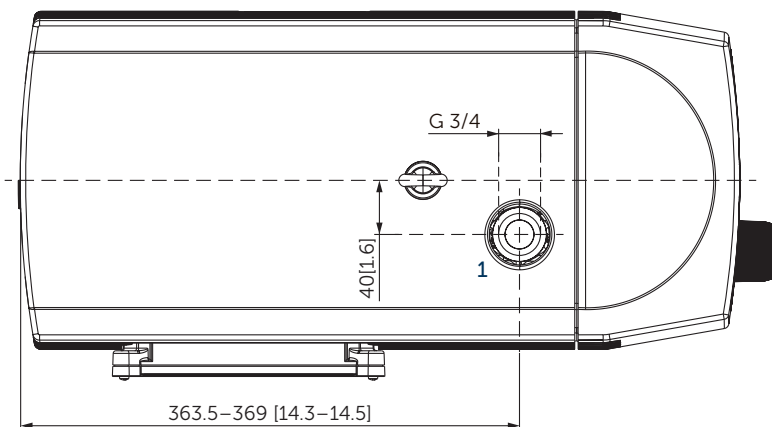
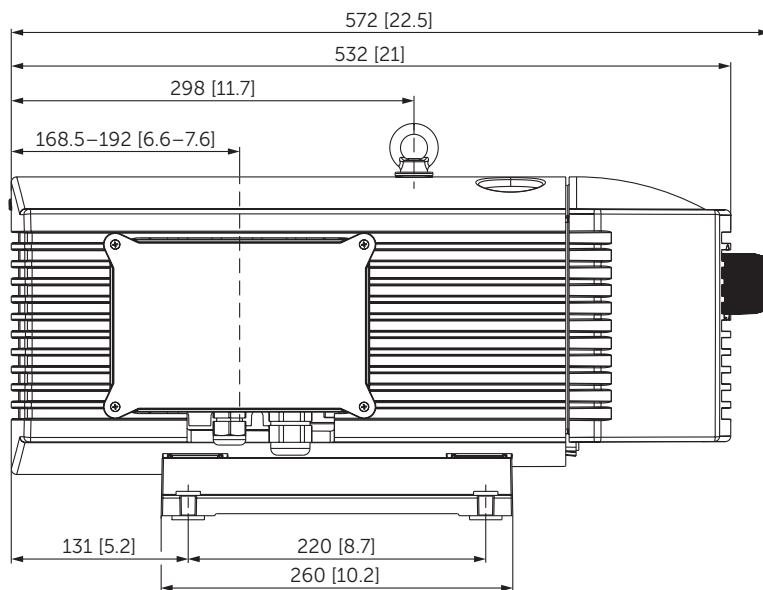
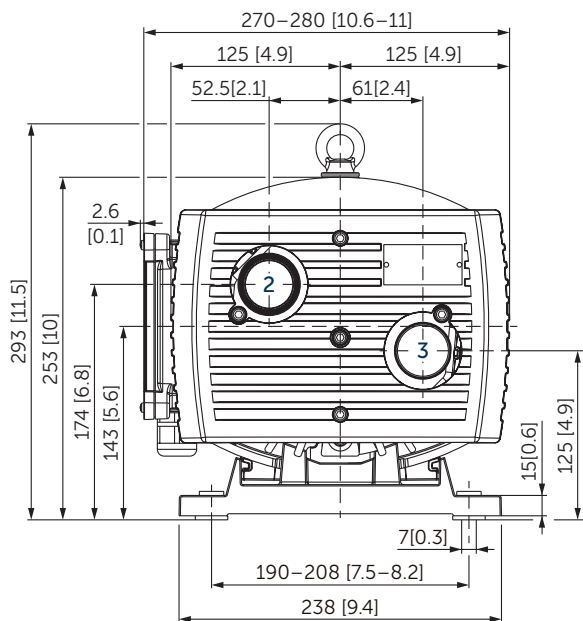
**COMPACT
& ROBUST**

100% OILLESS OPERATION



**LOW OPERATION &
MAINTENANCE COSTS**

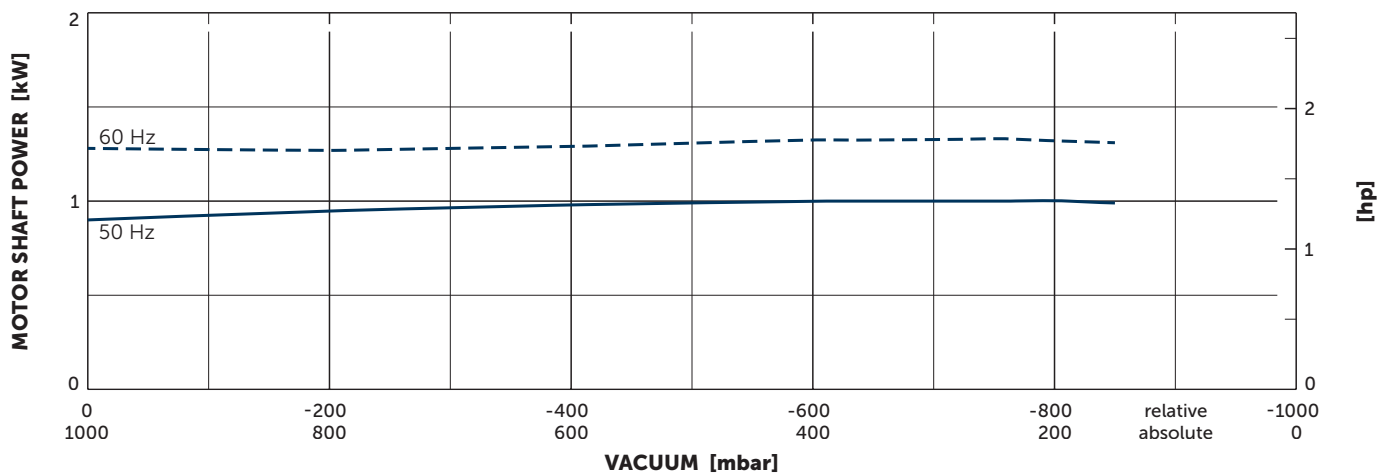
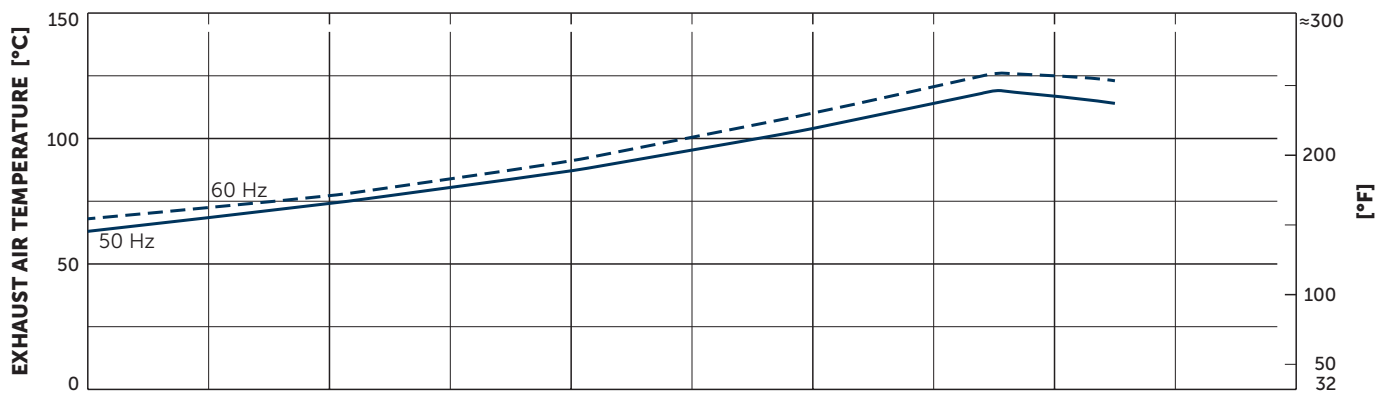
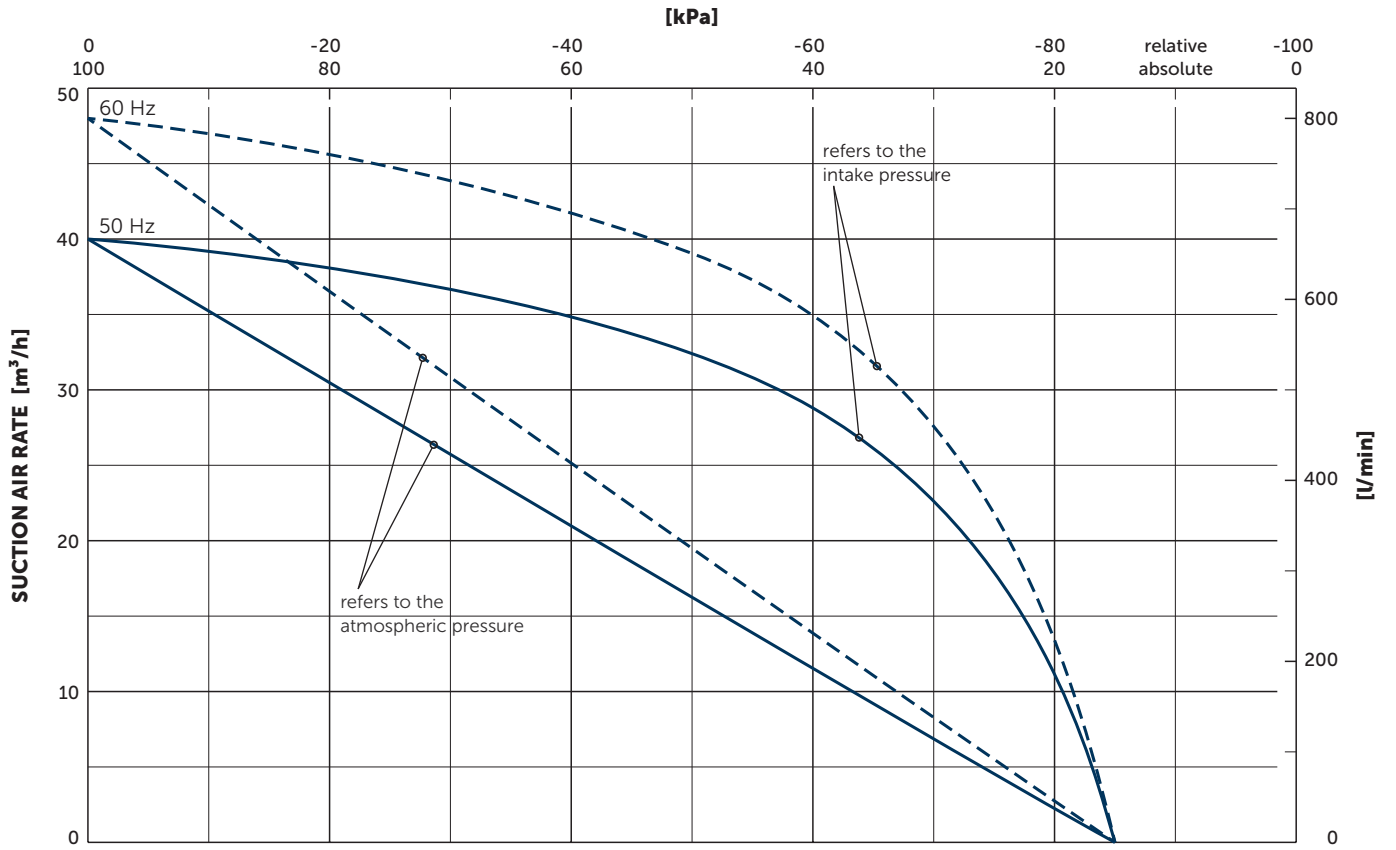
**VANE LIFETIME OF UP TO
8,000 OPERATING HOURS**



- 1 Vacuum connection (G³/₄)
- 2 Vacuum regulating valve
- 3 Blow-off valve
- Including integrated suction air filter
- The illustration of the terminal box may vary.
- Dimensions in mm [inch]

| Suction air rate | | Vacuum absolute | | Installed motor power | | Emission sound pressure level ¹⁾ | | Weight with motor |
|-------------------|-------|-----------------|-------|-----------------------|-------|---|-------|-------------------|
| m ³ /h | | mbar | | kW | | dB(A) | | kg |
| 50 Hz | 60 Hz | 50 Hz | 60 Hz | 50 Hz | 60 Hz | 50 Hz | 60 Hz | |
| 40 | 48 | 150 | 150 | 1.25-1.3 | 1.5 | 67 | 72 | ≈38-41 |

¹⁾ According to DIN EN ISO 3744 (KpA = 3 dB(A)), 1 m [39.4 inch] distance, at medium load, both connection sides piped
 ▪ The motor specifications can be found in the separate data sheet. – Download see back cover. The overall device length is not affected.



Reference data (atmosphere): 1000 mbar (100 kPa), 20°C (68°F)
 Tolerance: ±5%

+ VARIANTS AND ACCESSORIES

VX 4.40

SERIES X: BECKER INNOVATION WITH TOP WARRANTY

Equipped with specially developed vanes, these oil-free rotary vane pumps distinguish themselves by high abrasion resistance, and with that extremely long service lives. Due to the low wear there is also minimal dust, so the series X pumps are perfectly suited for precision processes under clean room conditions.

This innovation branded by Becker is outstanding not only because of its 100 percent oil-free operation, excellent degree of efficiency and low power consumption.

In the area of sensitive vacuum, series X also guarantees precise low-pulsation air conduction.

Becker guarantees for these pumps a vane life-time of 20,000 operating hours or a maximum of 3 years. The enhanced longevity of X series pumps also extends service life intervals, and can cut out the need for frequent service visits with costly pump failures now no longer an issue.



ADVANTAGES

- Quick, clean and quiet
- Oil-free
- Wear resistant
- Energy saving
- Long-life reliability
- Ultimate pressure 100 mbar absolute

OTHER VARIANTS AND ACCESSORIES

- With external suction filter¹⁾
- Sound proof box SH 19¹⁾



Example for an external suction filter



Sound proof box SH 19

¹⁾ See separate data sheet

- Possible combinations on request



MAKE IT BECKER.

HOMEPAGE
VT SERIES



DOWNLOAD
MOTOR SPECS.



ONLINE SHOP
VT 4.40

