

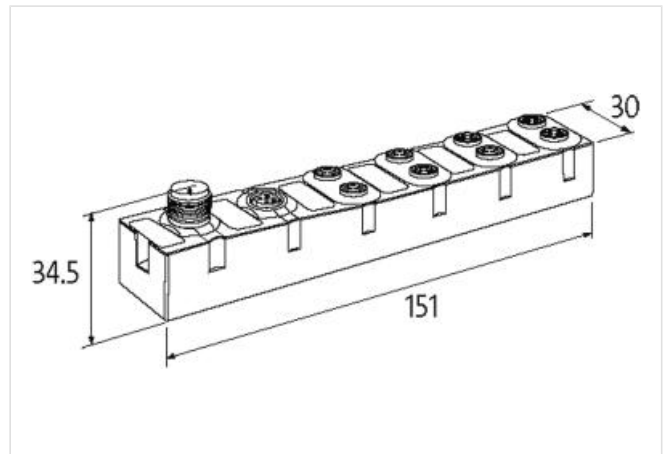
CUBE67 I/O EXTENSION MODULE

8 multifunction channels

Expansion module
 DIO8 - 0.5 A (E) - 8× M8
 short-circuit and overload protected
 Digital inputs/outputs (multifunctional)
 Connection cables are in the online shop under "Connection Technology".
 Housing fully potted.

[Link to Product](#)

Illustration



Product may differ from Image



Commercial data

ECLASS-6.0	27242604
ECLASS-6.1	27242604
ECLASS-7.0	27242604
ECLASS-8.0	27242604
ECLASS-9.0	27242604
ECLASS-10.1	27242604
ECLASS-11.1	27242604
ECLASS-12.0	27242604
ETIM-5.0	EC001599
customs tariff number	85389099
GTIN	4048879048484
Packaging unit	1

Electrical data | Supply

Norm operating voltage	EN 61131-2
Operating voltage US DC	24 V
Operating voltage UA DC	24 V
Current consumption max.	30 mA
Total current UA max.	4 A
Total current US max.	4 A

Electrical data Input	
Overload resistant	yes
Short-circuit protected	yes
Type input	PNP, for 3-wire sensors or mechanical switches
Input filter time	1 ms
Sensor current US per input max.	0,2 A
Electrical data Output	
Overload resistant	yes
Short-circuit protected	yes
Output current per pin max.	0,5 A
Lamp load	10 W
Diagnostics	
Actuator warning	per channel via LED and BUS
Diagnostic	No voltage, Under voltage
Diagnostic via BUS	per module and channel
Diagnostic via LED	per module and channel
Short circuit diagnosis	yes
LED display	Ethernet connection/data traffic
Overload diagnosis	yes
Device protection Electrical	
Degree of protection (EN IEC 60529)	IP67
Mechanical data Mounting data	
Suitable for mounting type	2-hole screw mounting
Height	151 mm
Width	30 mm
Depth	34,5 mm
Environmental characteristics Climatic	
Operating temperature min.	0 °C
Operating temperature max.	55 °C
Storage temperature min.	-20 °C
Storage temperature max.	75 °C
Connection type 3	
Connection type 1	0-3
Connection type 2	Bus In
Connection type 3	Bus Out
Family construction form	M8
Gender	female
Color contact carrier	black
Coding	A
No. of poles	3
PIN 1	24 V DC (US)
PIN 3	0 V
PIN 4	DI / DO
Family construction form	M12
Gender	male
Color contact carrier	black
Coding	A
No. of poles	6
PIN 1	24 V DC (UA)
PIN 2	24 V DC (US)
PIN 3	0 V
PIN 4	Bus internal

PIN 5	Bus internal
PIN 6	0 V
Family construction form	M12
Gender	female
Color contact carrier	black
Coding	A
No. of poles	6
PIN 1	24 V DC (UA)
PIN 2	24 V DC (US)
PIN 3	0 V
PIN 4	Bus internal
PIN 5	Bus internal
PIN 6	0 V