

## Valve plug C-8mm IDC

Form C (8 mm)

24 V AC/DC  $\pm 25\%$

LED and suppression

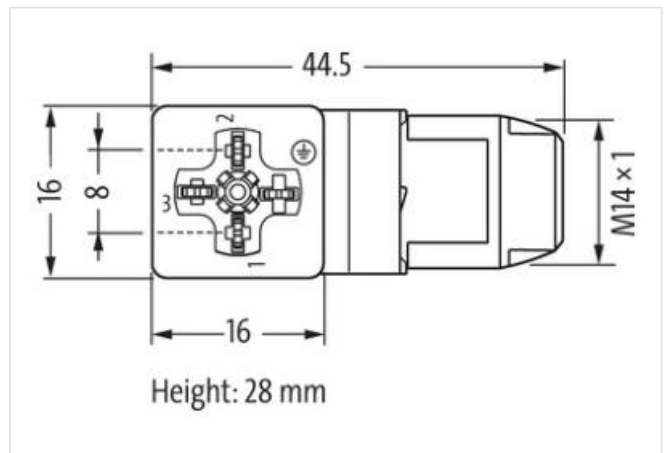
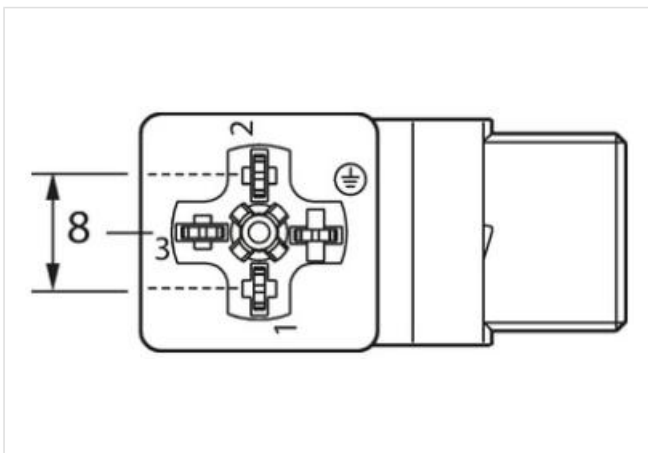
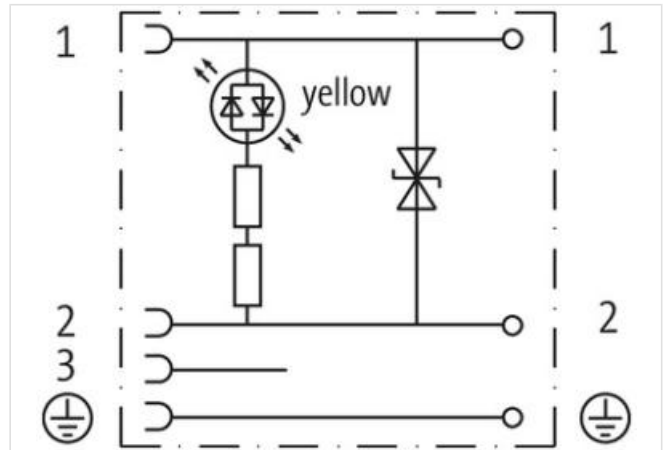
Insulation displacement technology IDC

Plastic housings with good resistance against chemicals and oils.

The resistance to aggressive media should be individually tested for your application. Further details on request.

### [Link to Product](#)

#### Illustration



Product may differ from Image

#### Commercial data

ECLASS-6.0	27279218
ECLASS-7.0	27279218
ECLASS-8.0	27279218
ECLASS-9.0	27060311
ETIM-5.0	EC002062
customs tariff number	85366990
GTIN	4048879132343
Packaging unit	1

#### Electrical data | Supply

Operating voltage AC	24 V
----------------------	------

Operating voltage AC min.	18 V
Operating voltage AC max.	30 V
Operating voltage DC	24 V
Operating voltage DC min.	18 V
Operating voltage DC max.	30 V
Current operating per contact max.	3 A

**Installation | Connection**

Mounting set	M14 x 1
--------------	---------

**Installation | Pin assignment**

No. of poles	3 + PE
--------------	--------

**Device protection | Electrical**

Degree of protection (EN IEC 60529)	IP65
Additional condition protection degree	inserted, screwed

**Mechanical data | Mounting data**

Height	28 mm
Width	16 mm
Depth	44,5 mm

**Environmental characteristics | Climatic**

Operating temperature min.	-25 °C
Operating temperature max.	85 °C