



22MM PLASTIC ROUND COMPLETE UNIT  
 COMBINATION: EMERGEN.-STOP MUSHR.PUSHB. 40MM  
 LATCH.W. ROT.-TO-UNLATCH MECH. WITH YELLOW  
 BACKING PLATE SCREW TERMINAL,  
 1NC WITH HOLDER RED INSCRIPTION: NOT-HALT

**Actuator / signaling device:**

<b>Design of the product</b>	Complete unit round with positive latching in accordance with ISO 13850
<b>Design of the operating mechanism</b>	Emergency stop mushroom pushbutton
<b>Type of unlocking device</b>	rotate-to-unlatch mechanism
<b>Color / of the activation element</b>	Red
<b>Material / of the activation element</b>	plastic
<b>Number of switching positions</b>	2
<b>Product component / front ring</b>	No
<b>Product function / EMERGENCY STOP function</b>	Yes

**Holder:**

<b>Material / of the holder</b>	Plastic
---------------------------------	---------

**Contact block / lampholder**

<b>Design of the electrical connection</b>	screw-type terminals
<b>Number of switching elements</b>	1
<b>Number of NC contacts / for auxiliary contacts</b>	1
<b>Number of NO contacts / for auxiliary contacts</b>	0
<b>Number of change-over switches / for auxiliary contacts</b>	0
<b>Product function / positive opening</b>	Yes

<b>Number of lampholders</b>		0
<b>Product component / fluorescent materials</b>		No
<b>Product extension / optional / fluorescent materials</b>		No

#### Accessories:

<b>Marking / of backing plate</b>		Yellow backing plate, inscription "NOT-HALT"
<b>Product component / holder for 3 switching elements</b>		No

#### General technical details:

<b>Type of voltage / of the operating voltage</b>		AC/DC
<b>Operating voltage / rated value</b>		
• minimum	V	5
• maximum	V	400
<b>Operating current</b>		
• at AC-12		
• at 24 V / rated value	A	10
• at 48 V / rated value	A	10
• at 110 V / rated value	A	10
• at 230 V / rated value	A	10
• at 400 V / rated value	A	10
• at AC-15		
• at 24 V / rated value	A	6
• at 48 V / rated value	A	6
• at 110 V / rated value	A	6
• at 230 V / rated value	A	6
• at 400 V / rated value	A	3
• at DC-12		
• at 24 V / rated value	A	10
• at 48 V / rated value	A	5
• at 110 V / rated value	A	2.5
• at 230 V / rated value	A	1
• at DC-13		
• at 24 V / rated value	A	3
• at 48 V / rated value	A	1.5
• at 110 V / rated value	A	0.7
• at 230 V / rated value	A	0.3
<b>Resistance against shock</b>		
• for devices without incandescent lamp / according to IEC 60068-2-27		<= 50g
<b>Resistance against vibration / according to IEC 60068-2-6</b>		20 ... 200 Hz: 5g
<b>Operating cycles / maximum</b>	1/h	1,000

<b>Mechanical operating cycles as operating time / typical</b>		300,000
<b>Item designation</b>		S
<ul style="list-style-type: none"> <li>• according to DIN EN 61346-2</li> <li>• according to DIN 40719 extendable after IEC 204-2 / according to IEC 750</li> </ul>		S
<b>Tightening torque / of the screws in the bracket / maximum</b>	N·m	1
<b>Ambient temperature</b>		
<ul style="list-style-type: none"> <li>• during operating</li> <li>• during storage</li> </ul>	°C	-25 ... +70
	°C	-40 ... +80
<b>Protection class IP</b>		IP66
<b>B10 value / with high demand rate / according to SN 31920</b>		100,000
<b>Proportion of dangerous failures / with high demand rate / according to SN 31920</b>	%	20
<b>Proportion of dangerous failures / with low demand rate / according to SN 31920</b>	%	20
<b>Failure rate (FIT value) / with low demand rate / according to SN 31920</b>	FIT	100
<b>T1 value / for proof test interval or service life / according to IEC 61508</b>	a	20
<b>climatic class / during the operating phase / according to EN 60721</b>		3K6
<b>Type of mounting</b>		front mounting
<b>Shape / of the installation hole</b>		round
<b>Installation width</b>	mm	40.5
<b>Mounting diameter</b>	mm	22
<b>Mounting height</b>	mm	49
<b>Mounting depth</b>	mm	49

#### Certificates/approvals:

##### General Product Approval



CSA



GOST



UL



EG-Konf.

##### Test Certificates

[Special Test Certificate](#)

##### Shipping Approval



ABS



DNV



LRS



PRS



RINA

##### other

[Confirmation](#)

[other](#)

[Environmental Confirmations](#)

#### Further information:

Information- and Downloadcenter (Catalogs, Brochures,...)

<http://www.siemens.com/industrial-controls/catalogs>

Industry Mall (Online ordering system)

<http://www.siemens.com/industrial-controls/mall>

Cax online generator:

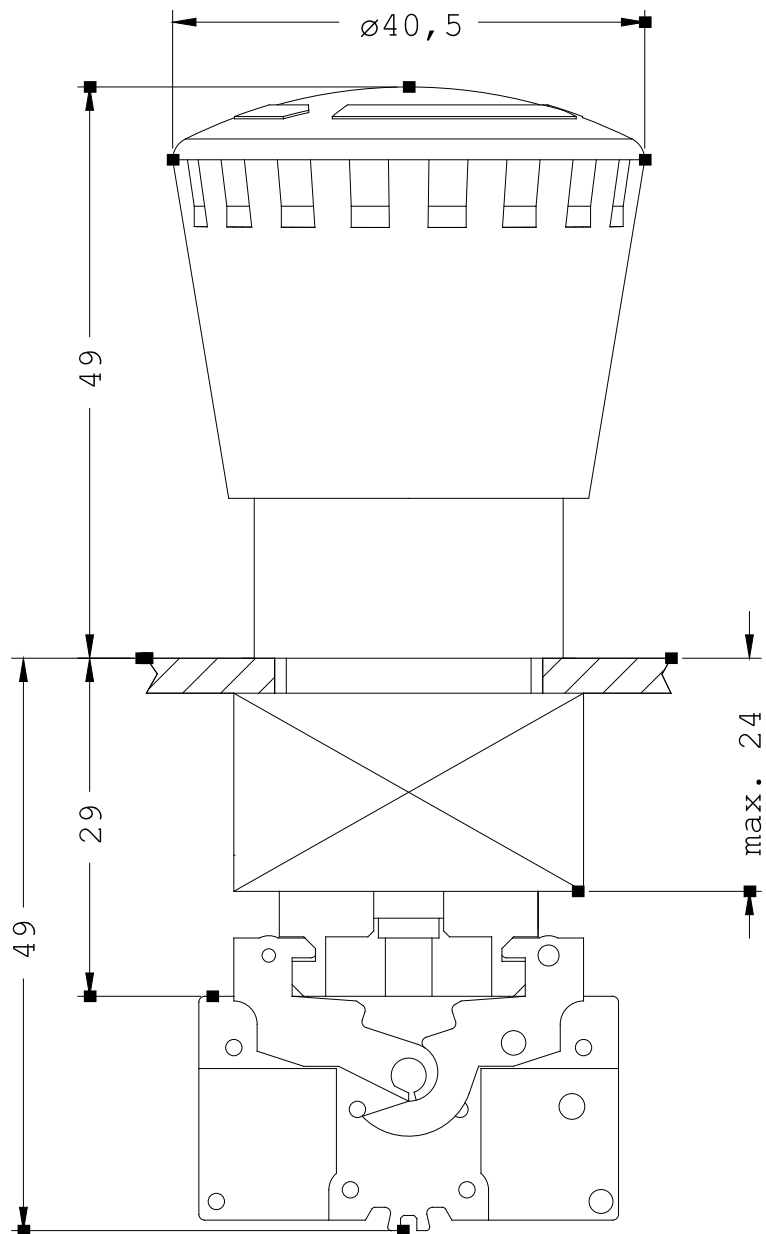
<http://www.siemens.com/cax>

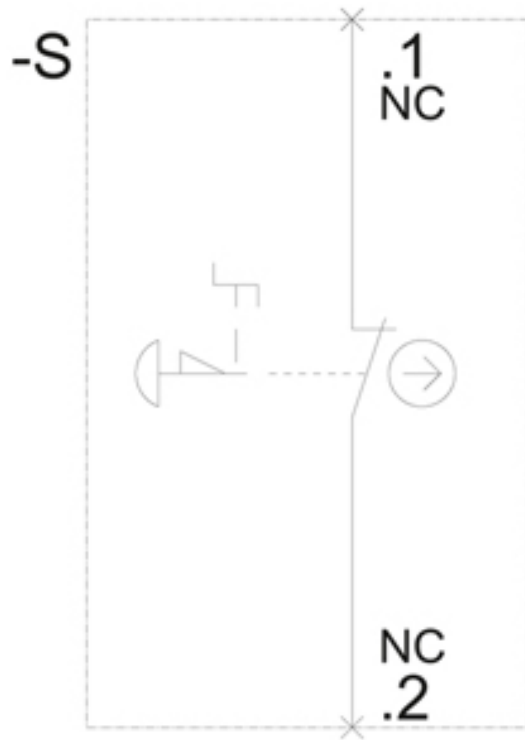
Service&Support (Manuals, Certificates, Characteristics, FAQs,...)

<http://support.automation.siemens.com/WW/view/en/3SB3203-1HA20/all>

Image database (product images, 2D dimension drawings, 3D models, device circuit diagrams, ...)

[http://www.automation.siemens.com/bilddb/cax\\_en.aspx?mlfb=3SB3203-1HA20](http://www.automation.siemens.com/bilddb/cax_en.aspx?mlfb=3SB3203-1HA20)





last change:

Jan 21, 2013