

RIL NW 13 25

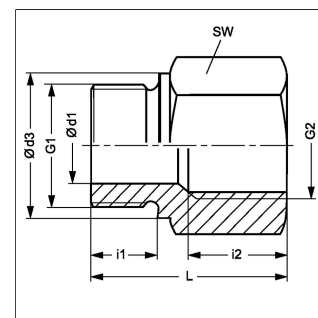
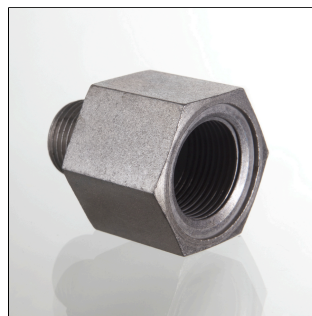
Reducer AGR1/2" IGR1"

HANSA FLEX

Last updated: 26/01/2023

Properties

Type	long
Connection 1	BSP cylindrical external threads
Sealing form 1	shape B
Connection 2	BSP cylindrical internal threads
Standard	DIN 2353 ISO 8434-1
Material	Steel
Surface protection	electro galvanised
Construction type	reducing adapters
Customs tariff number	73079910



Product details

G1	G 1/2" -14
i2 mm)	24.5
AF mm)	41
L mm)	49
Working pressure	PN 315

G2	G 1" -11
Ø d3 mm)	26
i1 mm)	14
Ø d1 mm)	12

PN = nominal pressure (bar)
HEX = SW = width across flats

Note

Information about fitting, installation, pressure loads and permissible operating temperatures can be found in the technical information for pipe fittings.