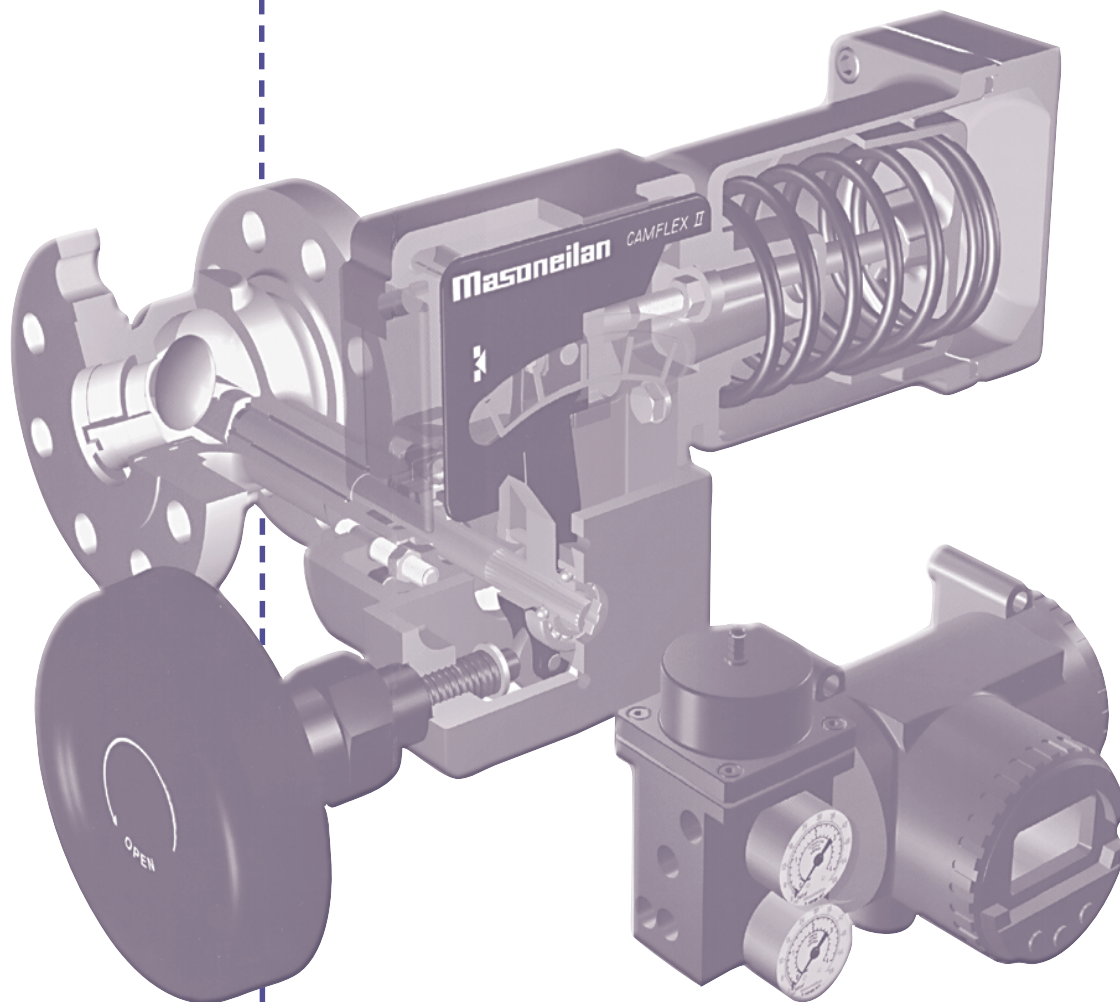


# MASONEILAN® 35002 SERIES CAMFLEX® II CONTROL VALVES

FF5000  
07/99

Includes rolling diaphragm, cylinder and manual actuator



## PARTS SUPPLEMENT

**Note:** This parts supplement lists standard construction parts only. Refer to the specifications stamped on the **unit serial plate**, and always provide the serial number before ordering parts to ensure that the correct items are supplied.

<b>Masoneilan</b>		<b>DRESSER</b>	MASONEILAN NORTH AMERICAN OPERATIONS DRESSER INDUSTRIES INC., MASS., U.S.A.
MODEL NO.	[ ]		[ ]
SIZE:BODY	[ ]	CV	[ ]
ACTION: AIR TO	[ ]		
RANGE	[ ]	SUPPLY	[ ]
MAT'L:	BODY	STEM	[ ]
	PLUG	SEAT	[ ]
	DISC	[ ]	[ ]
RATING	[ ]		
SERIAL NO.	[ ]		
	[ ]		
	[ ]		

**UNIT SERIAL PLATE**  
(ACTUAL SIZE)

**Note:** This parts supplement lists standard construction parts only. Refer to the specifications stamped on the **unit serial plate**, and always provide the serial number before ordering parts to ensure that the correct items are supplied.

Masoneilan is a registered trademark of Dresser Equipment Group Inc., A Halliburton Company  
Camflex is a registered trademark of Dresser Equipment Group, Inc.

Copyright 1999  
Dresser Equipment Group, Inc.  
All rights reserved

**Body SA**

**PAGE**

**Carbon Steel**

1" .....	1
1-1/2" .....	2
2" .....	3
3" .....	4
4" .....	5
6" .....	6
8" .....	7
10" .....	8
12" .....	9
14" Consult Parts Operation with Serial Number	
16" Consult Parts Operation with Serial Number	

**Stainless Steel**

1" .....	10
1-1/2" .....	11
2" .....	12
3" .....	13
4" .....	14
6" .....	15
8" .....	16
10" .....	17
12" .....	18
14" Consult Parts Operation with Serial Number	
16" Consult Parts Operation with Serial Number	

**Alloy 20/ Hastelloy C**

1" .....	19
1-1/2" .....	20
2" .....	21
3" .....	22
4" .....	23

**Actuators**

**Spring Diaphragm**

4-1/2" DIA For 1 - 2" Valves.....	24
6" DIA For 3" Valves .....	25
6" DIA For 4" Valves .....	26
7" DIA For 6" - 8"Valves .....	27
7" DIA For 10" Valves.....	28
7" DIA For 12" Valves.....	29

**Manual**

1" - 2" .....	30
3" - 4" .....	31
6" - 12" .....	32

**Double Acting Cylinder**

10" cylinder for 6" - 12" Valves .....	33
--	----

**Options**

Bolt Sets .....	34
Ceramic Trim .....	35
Repair Kits .....	36

**Parts List for 1" Carbon Steel Body S/A  
35002 Series Camflex II**

PSI FF 5000 Rev. 7/99  
35002 Series, Camflex II  
Body S/A

Include Serial Number When Ordering

Ref. No.	Part	Remarks	Material	Qty	Part Number
1	Body	Screwed Ends	Carbon Steel A216 Gr. WCB	1	035000-005-100
		Fits between ANSI Class 150-600 Flanges		1	035000-004-100
		Flanged ANSI Class 150		1	976008-035-104
		Flanged ANSI Class 300		1	976008-046-104
2	Seat Ring	Full Area Cv = 14	316 St. St.	1	035000-184-163
			316 St. St. w/PTFE	1	035000-187-999
			Stellite 6 *	1	035000-184-567
		.6 Factor Cv = 8.4	316 St. St.	1	011471-204-163
			316 St. St. w/PTFE	1	011471-219-999
			Stellite 6 *	1	011471-204-567
		.4 Factor Cv = 5.6	316 St. St.	1	035000-185-163
			316 St. St. w/PTFE	1	035000-189-999
			Stellite 6 *	1	035000-185-567
		.2 Factor Cv = 2.8	316 St. St.	1	011471-324-163
			Stellite 6 *	1	011471-324-567
			Seat Ring Wrench		
3	Retainer	Flanged or Flangeless Body	316 St. St.	1	035000-244-163
			Stellite 6 *	1	035000-244-567
4	Plug	Full or Reduced Area	Stellite 6 *	1	435000-104-567
13	Packing Flange Stud		304 St. St.	2	435000-381-177
13A	Packing Flg. Stud Nut		304 St. St.	2	971511-012-158
14	Packing Flange		Carbon Steel A105	1	435000-284-030
15	EF Seal	Includes O Rings	303 St. St./Viton	1	035000-925-999
			303 St. St./Kalrez	1	035000-926-999
16	Safety Pin		316 St. St.	1	435000-270-163
17*	Packing Kit		Crane 285K	1	011488-500-999
		Optional	Flex. Graphite	1	011487-297-999
18	Retaining Ring		PH 15-7 Mo	1	971881-054-181
19	Shaft	Standard	17-4 PH	1	035000-121-215
		Optional: (See Note 1 & 2)	316 St. St.	1	035000-120-163
20	Spacer Tube		304 St. St.	1	035000-230-153
21	Upper Guide Bushing	Standard	440C St. St.	1	435000-140-220
		Optional: (See Note 2)	Stellite 6	1	435000-150-567
	Upper Seal Bushing	For Slurry & Viscous Service	Stellite 6 *	1	435000-150-567
21A*	Inner O-Ring	For Slurry & Viscous Service	Viton	0	Not Used
21B*	Outer O-Ring	For Slurry & Viscous Service	Viton	0	Not Used
22	Lower Guide Bushing	Standard	440C St. St.	1	435000-160-220
		Optional: (See Note 2)	Stellite 6	1	435000-170-567
	Lower Seal Bushing	For Slurry & Viscous Service	Stellite 6 *	1	435000-170-567
22A*	Inner O-Ring	For Slurry & Viscous Service	Viton	0	Not Used
22B*	Outer O-Ring	For Slurry & Viscous Service	Viton	0	Not Used
23	Packing Box Ring		316 St. St.	1	435001-250-163
24	Warning Plate		Various	1	011808-004-888
25	Flow Arrow Plate		304 St. St.	1	983736-001-153
26	Plate Screw		300 Series St. St.	2	971335-002-250
27	Body Stud Nut		304 St. St.	2	971511-012-158
28	Body Stud		304 St. St.	2	435000-380-177
	Actuator	Spring Diaphragm			See Pages 24-29
		Manual Actuator			See Pages 30-32

\* Recommended Spare Part

\* Recommended for use in Slurry Service



Note 1: Use of 316 St. St. Shaft reduces pressure drop capability.  
Valve will perform per St. St. construction Tables listed in SD CF5000.  
Note 2: Stellite Bushings must be used with 316 St. St. Shaft.

# Parts List for 1-1/2" Carbon Steel Body S/A 35002 Series Camflex II

PSI FF 5000 Rev. 7/99  
35002 Series, Camflex II  
Body S/A

Include Serial Number When Ordering

Ref. No.	Part	Remarks	Material	Qty	Part Number
1	Body	Screwed Ends	Carbon Steel A216 Gr. WCB	1	035001-005-100
		Fits between ANSI Class 150-600 Flanges		1	035001-004-100
		Flanged ANSI Class 150		1	976008-036-104
		Flanged ANSI Class 300		1	976008-047-104
2	Seat Ring	Full Area Cv = 30	316 St. St.	1	035001-184-163
			316 St. St. w/PTFE	1	035001-187-999
			Stellite 6 *	1	035001-184-567
		.6 Factor Cv = 18	316 St. St.	1	011471-203-163
			316 St. St. w/PTFE	1	011471-217-999
			Stellite 6 *	1	011471-203-567
		.4 Factor Cv = 12	316 St. St.	1	035001-185-163
			316 St. St. w/PTFE	1	035001-189-999
			Stellite 6 *	1	035001-185-567
		.2 Factor Cv = 6	316 St. St.	1	011471-357-163
			Stellite 6 *	1	011471-357-567
		Seat Ring Wrench			
3	Retainer	For Flanged Body	316 St. St.	1	011471-306-163
			Stellite 6 *	1	011471-306-567
		For Flangeless Body	316 St. St.	1	035001-244-163
			Stellite 6 *	1	035001-244-567
4	Plug	Full or Reduced Area	Stellite 6 *	1	435001-104-567
13	Packing Flange Stud		304 St. St.	2	435000-381-177
13A	Packing Fig. Stud Nut		304 St. St.	2	971511-012-158
14	Packing Flange		Carbon Steel A105	1	435000-284-030
15	EF Seal	Includes O Rings	303 St. St./Viton	1	035000-925-999
			303 St. St./Kalrez	1	035000-926-999
16	Safety Pin		316 St. St.	1	435000-270-163
17*	Packing Kit		Crane 285K	1	011488-500-999
		Optional	Flex. Graphite	1	011487-297-999
18	Retaining Ring		PH 15-7 Mo	1	971881-054-181
19	Shaft	Standard	17-4 PH	1	035001-121-215
		Optional: (See Note 1 & 2)	316 St. St.	1	035001-120-163
20	Spacer Tube		304 St. St.	1	435001-230-153
21	Upper Guide Bushing	Standard	440C St. St.	1	435001-140-220
		Optional: (See Note 2)	Stellite 6	1	435001-150-567
	Upper Seal Bushing	For Slurry & Viscous Service	Stellite 6 *	1	435001-152-567
21A*	Inner O-Ring	For Slurry & Viscous Service	Viton	1	971886-088-697
21B*	Outer O-Ring	For Slurry & Viscous Service	Viton	1	971886-136-697
22	Lower Guide Bushing	Standard	440C St. St.	1	435001-160-220
		Optional: (See Note 2)	Stellite 6	1	435001-170-567
	Lower Seal Bushing	For Slurry & Viscous Service	Stellite 6 *	1	435001-172-567
22A*	Inner O-Ring	For Slurry & Viscous Service	Viton	1	971886-102-697
22B*	Outer O-Ring	For Slurry & Viscous Service	Viton	1	971886-136-697
23	Packing Box Ring		316 St. St.	1	435001-250-163
24	Warning Plate		Various	1	011808-004-888
25	Flow Arrow Plate		304 St. St.	1	983736-001-153
26	Plate Screw		300 Series St. St.	2	971335-002-250
27	Body Stud Nut		304 St. St.	2	971511-012-158
28	Body Stud		304 St. St.	2	435000-380-177
	Actuator	Spring Diaphragm			See Pages 24-29
		Manual Actuator			See Pages 30-32

• Recommended Spare Part

\* Recommended for use in Slurry Service



Note 1: Use of 316 St. St. Shaft reduces pressure drop capability.  
Valve will perform per St. St. construction Tables listed in SD CF5000.  
Note 2: Stellite Bushings must be used with 316 St. St. Shaft.

# Parts List for 2" Carbon Steel Body S/A 35002 Series Camflex II

PSI FF 5000 Rev. 7/99  
35002 Series, Camflex II  
Body S/A

Include Serial Number When Ordering

Ref. No.	Part	Remarks	Material	Qty	Part Number
1	Body	Screwed Ends	Carbon Steel A216 Gr. WCB	1	435002-005-100
		Fits between ANSI Class 150-600 Flanges		1	435002-004-100
		Flanged ANSI Class 150		1	976008-037-104
		Flanged ANSI Class 300		1	976008-048-104
2	Seat Ring	Full Area Cv = 50	316 St. St.	1	435002-180-163
			316 St. St. w/PTFE	1	435002-190-999
			Stellite 6 *	1	435002-180-567
		.6 Factor Cv = 30	316 St. St.	1	011471-205-163
			316 St. St. w/PTFE	1	011471-209-999
			Stellite 6 *	1	011471-205-567
		.4 Factor Cv = 20	316 St. St.	1	435002-181-163
			316 St. St. w/PTFE	1	435002-191-999
			Stellite 6 *	1	435002-181-567
		.2 Factor Cv = 10	316 St. St.	1	011471-358-163
			Stellite 6 *	1	011471-358-567
			Seat Ring Wrench		
3	Retainer	Flanged or Flangeless Body	316 St. St.	1	435002-244-163
			Stellite 6 *	1	435002-244-567
4	Plug	Full or Reduced Area	Stellite 6 *	1	435002-104-567
13	Packing Flange Stud		304 St. St.	2	435000-381-177
13A	Packing Flg. Stud Nut		304 St. St.	2	971511-012-158
14	Packing Flange		Carbon Steel A105	1	435000-284-030
15	EF Seal	Includes O Rings	303 St. St./Viton	1	035000-925-999
			303 St. St./Kalrez	1	035000-926-999
16	Safety Pin		316 St. St.	1	435000-270-163
17*	Packing Kit		Crane 285K	1	011488-500-999
		Optional	Flex. Graphite	1	011487-297-999
18	Retaining Ring		PH 15-7 Mo	1	971881-054-181
19	Shaft	Standard	17-4 PH	1	035002-121-215
		Optional: (See Note 1 & 2)	316 St. St.	1	035002-120-163
20	Spacer Tube		304 St. St.	1	435001-230-153
21	Upper Guide Bushing	Standard	440C St. St.	1	435001-140-220
		Optional: (See Note 2)	Stellite 6	1	435001-150-567
	Upper Seal Bushing	For Slurry & Viscous Service	Stellite 6 *	1	435001-152-567
21A*	Inner O-Ring	For Slurry & Viscous Service	Viton	1	971886-088-697
21B*	Outer O-Ring	For Slurry & Viscous Service	Viton	1	971886-136-697
22	Lower Guide Bushing	Standard	440C St. St.	1	435001-160-220
		Optional: (See Note 2)	Stellite 6	1	435001-170-567
	Lower Seal Bushing	For Slurry & Viscous Service	Stellite 6 *	1	435001-172-567
22A*	Inner O-Ring	For Slurry & Viscous Service	Viton	1	971886-102-697
22B*	Outer O-Ring	For Slurry & Viscous Service	Viton	1	971886-136-697
23	Packing Box Ring		316 St. St.	1	435001-250-163
24	Warning Plate		Various	1	011808-004-888
25	Flow Arrow Plate		304 St. St.	1	983736-001-153
26	Plate Screw		300 Series St. St.	2	971335-002-250
27	Body Stud Nut		304 St. St.	2	971511-012-158
28	Body Stud		304 St. St.	2	435000-380-177
	Actuator	Spring Diaphragm			See Pages 24-29
		Manual Actuator			See Pages 30-32

● Recommended Spare Part

\* Recommended for use in Slurry Service



Note 1: Use of 316 St. St. Shaft reduces pressure drop capability.  
Valve will perform per St. St. construction Tables listed in SD CF5000.  
Note 2: Stellite Bushings must be used with 316 St. St. Shaft.

# Parts List for 3" Carbon Steel Body S/A 35002 Series Camflex II

PSI FF 5000 Rev. 7/99  
35002 Series, Camflex II  
Body S/A

Include Serial Number When Ordering

Ref. No.	Part	Remarks	Material	Qty	Part Number
1	Body	Fits between ANSI Class 150-600 Flanges	Carbon Steel	1	435003-004-100
		Flanged ANSI Class 150	A216 Gr. WCB	1	976008-038-104
		Flanged ANSI Class 300		1	976008-049-104
2	Seat Ring	Full Area Cv = 135	316 St. St.	1	435003-180-163
			316 St. St. w/PTFE	1	435003-193-999
			Stellite 6 *	1	435003-180-567
		.6 Factor Cv = 81	316 St. St.	1	011471-201-163
			316 St. St. w/PTFE	1	011471-211-999
			Stellite 6 *	1	011471-201-567
		.4 Factor Cv = 54	316 St. St.	1	435003-182-163
			316 St. St. w/PTFE	1	435003-192-999
			Stellite 6 *	1	435003-182-567
Seat Ring Wrench				1	008375-010-213
3	Retainer	For Flanged Body	316 St. St.	1	011471-305-163
			Stellite 6 *	1	011471-305-567
		For Flangeless Body	316 St. St.	1	435003-244-163
			Stellite 6 *	1	435003-244-567
4	Plug	Full or Reduced Area	Stellite 6 *	1	035003-104-567
			316 St. St. w/HF	1	035003-104-587
13	Packing Flange Stud		304 St. St.	2	435003-381-177
13A	Packing Flg. Stud Nut		304 St. St.	2	971511-014-158
14	Packing Flange		Carbon Steel A105	1	435003-284-030
15	EF Seal	Includes O Rings	303 St. St./Viton	1	035003-925-999
			303 St. St./Kalrez	1	035003-926-999
16	Safety Pin		316 St. St.	1	435003-270-163
17*	Packing Kit		Crane 285K	1	011488-501-999
		Optional	Flex. Graphite	1	011487-298-999
18	Retaining Ring		PH 15-7 Mo	1	971881-052-181
19	Shaft	Standard	17-4 PH	1	035003-121-215
		Optional: (See Note 1 & 2)	316 St. St.	1	035003-120-163
20	Spacer Tube		304 St. St.	1	435003-230-153
21	Upper Guide Bushing	Standard	440C St. St.	1	435003-140-220
		Optional: (See Note 2)	Stellite 6	1	435003-150-567
	Upper Seal Bushing	For Slurry & Viscous Service	Stellite 6 *	1	435003-152-567
21A*	Inner O-Ring	For Slurry & Viscous Service	Viton	1	971886-101-697
21B*	Outer O-Ring	For Slurry & Viscous Service	Viton	1	971886-145-697
22	Lower Guide Bushing	Standard	440C St. St.	1	035003-164-220
		Optional: (See Note 2)	Stellite 6	1	035003-164-567
	Lower Seal Bushing	For Slurry & Viscous Service	Stellite 6 *	1	035003-165-567
22A*	Inner O-Ring	For Slurry & Viscous Service	Viton	1	971886-184-697
22B*	Outer O-Ring	For Slurry & Viscous Service	Viton	1	971886-145-697
23	Packing Box Ring		316 St. St.	1	435003-250-163
24	Warning Plate		Various	1	011808-004-888
25	Flow Arrow Plate		304 St. St.	1	983736-001-153
26	Plate Screw		300 Series St. St.	2	971335-002-250
27	Body Stud Nut		304 St. St.	2	971511-014-158
28	Body Stud		304 St. St.	2	435003-380-177
Actuator		Spring Diaphragm			See Pages 24-29
		Manual Actuator			See Pages 30-32

• Recommended Spare Part

\* Recommended for use in Slurry Service



Note 1: Use of 316 St. St. Shaft reduces pressure drop capability.  
Valve will perform per St. St. construction Tables listed in SD CF5000.  
Note 2: Stellite Bushings must be used with 316 St. St. Shaft.

# Parts List for 4" Carbon Steel Body S/A

## 35002 Series Camflex II

PSI FF 5000 Rev. 7/99  
35002 Series, Camflex II  
Body S/A

Include Serial Number When Ordering

Ref. No.	Part	Remarks	Material	Qty	Part Number
1	Body	Fits between ANSI Class 150-600 Flanges	Carbon Steel	1	435004-004-100
		Flanged ANSI Class 150	A216 Gr. WCB	1	976008-039-104
		Flanged ANSI Class 300		1	976008-050-104
2	Seat Ring	Full Area Cv = 230	316 St. St.	1	435004-181-163
			316 St. St. w/PTFE	1	435004-195-999
			Stellite 6 *	1	435004-181-567
		.6 Factor Cv = 138	316 St. St.	1	011471-206-163
			316 St. St. w/PTFE	1	011471-213-999
			Stellite 6 *	1	011471-206-567
		.4 Factor Cv = 92	316 St. St.	1	435004-184-163
			316 St. St. w/PTFE	1	435004-194-999
			Stellite 6*	1	435004-184-567
	Seat Ring Wrench			1	008375-006-213
3	Retainer	Flanged or Flangeless Body	316 St. St.	1	435004-244-163
			Stellite 6 *	1	435004-244-567
4	Plug	Full or Reduced Area	Stellite 6 *	1	035004-104-567
			316 St. St. w/HF	1	035004-104-587
13	Packing Flange Stud		304 St. St.	2	435003-381-177
13A	Packing Flg. Stud Nut		304 St. St.	2	971511-014-158
14	Packing Flange		Carbon Steel A105	1	435003-284-030
15	EF Seal	Includes O Rings	303 St. St./Viton	1	035004-925-999
			303 St. St./Kalrez	1	035004-926-999
16	Safety Pin		316 St. St.	1	435004-270-163
17*	Packing Kit		Crane 285K	1	011488-502-999
		Optional	Flex. Graphite	1	011487-299-999
18	Retaining Ring		PH 15-7 Mo	1	971881-055-181
19	Shaft	Standard	17-4 PH	1	035004-121-215
		Optional: (See Note 1 & 2)	316 St. St.	1	035004-120-163
20	Spacer Tube		304 St. St.	1	435004-230-153
21	Upper Guide Bushing	Standard	440C St. St.	1	435004-140-220
		Optional: (See Note 2)	Stellite 6	1	435004-150-567
	Upper Seal Bushing	For Slurry & Viscous Service	Stellite 6 *	1	435004-152-567
21A*	Inner O-Ring	For Slurry & Viscous Service	Viton	1	971886-098-697
21B*	Outer O-Ring	For Slurry & Viscous Service	Viton	1	971886-117-697
22	Lower Guide Bushing	Standard	440C St. St.	1	035004-164-220
		Optional: (See Note 2)	Stellite 6	1	035004-164-567
	Lower Seal Bushing	For Slurry & Viscous Service	Stellite 6 *	1	035004-165-567
22A*	Inner O-Ring	For Slurry & Viscous Service	Viton	1	971886-185-697
22B*	Outer O-Ring	For Slurry & Viscous Service	Viton	1	971886-117-697
23	Packing Box Ring		316 St. St.	1	435004-250-163
24	Warning Plate		Various	1	011808-004-888
25	Flow Arrow Plate		304 St. St.	1	983736-001-153
26	Plate Screw		300 Series St. St.	2	971335-002-250
27	Body Stud Nut		304 St. St.	2	971511-014-158
28	Body Stud		304 St. St.	2	435003-380-177
	Actuator	Spring Diaphragm			See Pages 24-29
		Manual Actuator			See Pages 30-32

• Recommended Spare Part

\* Recommended for use in Slurry Service



Note 1: Use of 316 St. St. Shaft reduces pressure drop capability.  
Valve will perform per St. St. construction Tables listed in SD CF5000.  
Note 2: Stellite Bushings must be used with 316 St. St. Shaft.



**Parts List for 6" Carbon Steel Body S/A  
35002 Series Camflex II**

PSI FF 5000 Rev. 7/99  
35002 Series, Camflex II  
Body S/A

Include Serial Number When Ordering

Ref. No.	Part	Remarks	Material	Qty	Part Number
1	Body	Fits between ANSI Class 150-600 Flanges	Carbon Steel	1	435006-004-100
		Flanged ANSI Class 150	A216 Gr. WCB	1	976008-040-104
		Flanged ANSI Class 300		1	976008-051-104
2	Seat Ring	Full Area Cv = 500	316 St. St.	1	435006-181-163
			316 St. St. w/PTFE	1	435006-195-999
			316 St. St. w/HF	1	435006-181-596
			316 St. St. w/ Full Bore Stellite *	1	011471-001-587
		.6 Factor Cv = 300	316 St. St.	1	011471-207-163
			316 St. St. w/PTFE	1	011471-215-999
			316 St. St. w/HF	1	011471-125-587
			316 St. St. w/ Full Bore Stellite *	1	011471-299-596
		.4 Factor Cv = 200	316 St. St.	1	435006-184-163
			316 St. St. w/PTFE	1	435006-194-999
			316 St. St. w/HF	1	435006-184-596
			316 St. St. w/ Full Bore Stellite *	1	011471-119-596
3	Retainer	Flanged or Flangeless Body	316 St. St.	1	435006-244-163
			316 St. St. w/ Full Bore Stellite *	1	011471-300-596
4	Plug	Full or Reduced Area	316 St. St. w/Full HF	1	035006-104-587
13	Packing Flange Stud		304 St. St.	2	435006-381-177
13A	Packing Flg. Stud Nut		304 St. St.	2	971511-016-158
14	Packing Flange		Carbon Steel A105	1	435006-284-030
15	EF Seal	Includes O Rings	303 St. St./Viton	1	035006-925-999
			303 St. St./Kalrez	1	035006-926-999
16	Safety Pin		316 St. St.	1	435003-270-163
17*	Packing Kit		Crane 285K	1	011488-503-999
		Optional	Flex. Graphite	1	011487-300-999
18	Retaining Ring		PH 15-7 Mo	1	971881-056-181
19	Shaft	Standard	17-4 PH	1	035006-121-215
		Optional: (See Note 1 & 2)	316 St. St.	1	035006-120-163
20	Spacer Tube		304 St. St.	1	435006-230-153
21	Upper Guide Bushing	Standard	440C St. St.	1	435006-140-220
		Optional: (See Note 2)	Stellite 6	1	435006-150-567
	Upper Seal Bushing	For Slurry & Viscous Service	Stellite 6 *	1	435006-152-567
21A*	Inner O-Ring	For Slurry & Viscous Service	Viton	1	971886-146-697
21B*	Outer O-Ring	For Slurry & Viscous Service	Viton	1	971886-147-697
22	Lower Guide Bushing	Standard	440C St. St.	1	035006-164-220
		Optional: (See Note 2)	Stellite 6	1	035006-164-567
	Lower Seal Bushing	For Slurry & Viscous Service	Stellite 6 *	1	035006-165-567
22A*	Inner O-Ring	For Slurry & Viscous Service	Viton	1	971886-186-697
22B*	Outer O-Ring	For Slurry & Viscous Service	Viton	1	971886-147-697
23	Packing Box Ring		316 St. St.	1	435006-250-163
24	Warning Plate		Various	1	011808-004-888
25	Flow Arrow Plate		304 St. St.	1	983736-001-153
26	Plate Screw		300 Series St. St.	2	971335-002-250
27	Body Stud Nut		304 St. St.	2	971511-016-158
28	Body Stud		304 St. St.	2	435006-380-177
	Actuator	Spring Diaphragm			See Pages 24-29
		Manual Actuator			See Pages 30-32
		Double Acting Cylinder			See Page 33

• Recommended Spare Part

\* Recommended for use in Slurry Service



Note 1: Use of 316 St. St. Shaft reduces pressure drop capability. Valve will perform per St. St. construction Tables listed in SD CF5000.  
Note 2: Stellite Bushings must be used with 316 St. St. Shaft.

**Parts List for 8" Carbon Steel Body S/A  
35002 Series Camflex II**

PSI FF 5000 Rev. 7/99  
35002 Series, Camflex II  
Body S/A

Include Serial Number When Ordering

Ref. No.	Part	Remarks	Material	Qty	Part Number
1	Body	Fits between ANSI Class 150 Flgs.	Carbon Steel A216 Gr. WCB	1	435008-004-100
		Fits between ANSI Class 300 Flgs.		1	435008-005-100
		Fits between ANSI Class 400 Flgs.		1	435008-006-100
		Fits between ANSI Class 600 Flgs.		1	435008-007-100
		Flanged ANSI Class 150		1	011471-486-100
		Flanged ANSI Class 300		1	011471-498-100
2	Seat Ring	Full Area Cv = 850	316 St. St.	1	435008-181-163
			316 St. St. w/PTFE	1	435008-192-999
			316 St. St. w/HF	1	435008-181-596
			316 St. St. w/ Full Bore Stellite *	1	011471-375-587
		.6 Factor Cv = 510	316 St. St.	1	035008-184-163
			316 St. St. w/PTFE	1	035008-187-999
			316 St. St. w/HF	1	035008-184-587
			316 St. St. w/ Full Bore Stellite *	1	011471-312-596
		.4 Factor Cv = 340	316 St. St.	1	035008-185-163
			316 St. St. w/PTFE	1	035008-189-999
			316 St. St. w/HF	1	035008-185-587
			316 St. St. w/ Full Bore Stellite *	1	011471-484-587
3	Retainer	Flanged Body	316 St. St.	1	011996-146-163
			316 St. St. w/ Full Bore Stellite *	1	011996-145-587
		Flangeless Body	316 St. St.	1	435008-244-163
			316 St. St. w/ Full Bore Stellite *	1	011471-376-587
4	Plug	Full Area	316 St. St. w/Full HF *	1	035008-104-587
		Reduced Area	316 St. St. w/Full HF *	1	035008-105-587
13	Packing Flange Stud		304 St. St.	2	435006-381-177
13A	Packing Flg. Stud Nut		304 St. St.	2	971511-016-158
14	Packing Flange		Carbon Steel A105	1	435006-284-030
15	EF Seal	Includes O Rings	303 St. St./Viton	1	035006-925-999
			303 St. St./Kalrez	1	035006-926-999
16	Safety Pin		316 St. St.	1	435003-270-163
17•	Packing Kit		Crane 285K	1	011488-503-999
		Optional	Flex. Graphite	1	011487-300-999
18	Retaining Ring		PH 15-7 Mo	1	971881-156-181
19	Shaft	Standard	17-4 PH	1	035008-121-215
		Optional: (See Note 1 & 2)	316 St. St.	1	035008-120-163
20	Spacer Tube		304 St. St.	1	435008-230-153
21	Upper Guide Bushing	Standard	440C St. St.	1	435006-140-220
		Optional: (See Note 2)	Stellite 6	1	435006-150-567
	Upper Seal Bushing	For Slurry & Viscous Service	Stellite 6 *	1	435006-152-567
21A•	Inner O-Ring	For Slurry & Viscous Service	Viton	1	971886-146-697
21B•	Outer O-Ring	For Slurry & Viscous Service	Viton	1	971886-147-697
22	Lower Guide Bushing	Standard	440C St. St.	1	035006-164-220
		Optional: (See Note 2)	Stellite 6	1	035006-164-567
	Lower Seal Bushing	For Slurry & Viscous Service	Stellite 6 *	1	035006-165-567
22A•	Inner O-Ring	For Slurry & Viscous Service	Viton	1	971886-186-697
22B•	Outer O-Ring	For Slurry & Viscous Service	Viton	1	971886-147-697
23	Packing Box Ring		316 St. St.	1	435006-250-163
24	Warning Plate		Various	1	011808-004-888
25	Flow Arrow Plate		304 St. St.	1	983736-001-153
26	Plate Screw		300 Series St. St.	2	971335-002-250
27	Body Stud Nut		304 St. St.	2	971511-016-158
28	Body Stud		304 St. St.	2	435006-380-177
	Actuator	Spring Diaphragm			See Pages 24-29
		Manual Actuator			See Pages 30-32
		Double Acting Cylinder			See Page 33

• Recommended Spare Part

\* Recommended for use in Slurry Service



Note 1: Use of 316 St. St. Shaft reduces pressure drop capability.  
Valve will perform per St. St. construction Tables listed in SD CF5000.  
Note 2: Stellite Bushings must be used with 316 St. St. Shaft.

**Parts List for 10" Carbon Steel Body S/A  
35002 Series Camflex II**

PSI FF 5000 Rev. 7/99  
35002 Series, Camflex II  
Body S/A

Include Serial Number When Ordering

Ref. No.	Part	Remarks	Material	Qty	Part Number
1	Body	Fits between ANSI Class 150 Flgs.	Carbon Steel A216 Gr. WCB	1	035010-004-100
		Fits between ANSI Class 300 Flgs.		1	035010-005-100
		Fits between ANSI Class 400 Flgs.		1	035010-006-100
		Fits between ANSI Class 600 Flgs.		1	035010-007-100
		Flanged ANSI Class 150		1	035010-010-100
		Flanged ANSI Class 300		1	035010-011-100
2	Seat Ring	Full Area Cv = 1300	316 St. St.	1	435010-181-163
			316 St. St. w/PTFE	1	435010-192-999
			316 St. St. w/HF	1	435010-181-596
			316 St. St. w/ Full Bore Stellite *	1	011471-373-587
		.6 Factor Cv = 780	316 St. St.	1	035010-184-163
			316 St. St. w/PTFE	1	035010-187-999
			316 St. St. w/HF	1	035010-184-587
			316 St. St. w/ Full Bore Stellite *	1	011471-516-587
		.4 Factor Cv = 520	316 St. St.	1	035010-185-163
			316 St. St. w/PTFE	1	035010-189-999
			316 St. St. w/HF	1	035010-185-587
			316 St. St. w/ Full Bore Stellite *	1	011471-584-587
3	Retainer	Flanged or Flangeless Body	316 St. St.	1	435010-244-163
			316 St. St. w/ Full Bore Stellite *	1	011471-374-587
4	Plug	Full Area	316 St. St. w/Full HF *	1	035010-104-587
		Reduced Area	316 St. St. w/Full HF *	1	035010-105-587
13	Packing Flange Stud		304 St. St.	2	435010-381-177
13A	Packing Flg. Stud Nut		304 St. St.	2	971511-017-158
14	Packing Flange		Carbon Steel A105	1	435010-284-100
15	EF Seal	Includes O Rings	303 St. St./Viton	1	035010-925-999
			303 St. St./Kalrez	1	035010-926-999
16	Safety Pin		316 St. St.	1	435010-270-163
17*	Packing Kit		Crane 285K	1	011488-504-999
		Optional	Flex. Graphite	1	011487-301-999
18	Retaining Ring		PH 15-7 Mo	1	971881-057-181
19	Shaft	Standard	17-4 PH	1	035010-121-215
		Optional: (See Note 1 & 2)	316 St. St.	1	035010-120-163
20	Spacer Tube		304 St. St.	1	435010-230-153
21	Upper Guide Bushing	Standard	440C St. St.	1	435010-140-220
		Optional: (See Note 2)	Stellite 6	1	435010-150-567
	Upper Seal Bushing	For Slurry & Viscous Service	Stellite 6 *	1	435010-152-567
21A*	Inner O-Ring	For Slurry & Viscous Service	Viton	1	971886-148-697
21B*	Outer O-Ring	For Slurry & Viscous Service	Viton	1	971886-023-697
22	Lower Guide Bushing	Standard	440C St. St.	1	035010-164-220
		Optional: (See Note 2)	Stellite 6	1	035010-164-567
	Lower Seal Bushing	For Slurry & Viscous Service	Stellite 6 *	1	035010-165-567
22A*	Inner O-Ring	For Slurry & Viscous Service	Viton	1	971886-018-697
22B*	Outer O-Ring	For Slurry & Viscous Service	Viton	1	971886-023-697
23	Packing Box Ring		316 St. St.	1	435010-250-163
24	Warning Plate		Various	1	011808-004-888
25	Flow Arrow Plate		304 St. St.	1	983736-001-153
26	Plate Screw		300 Series St. St.	2	971335-002-250
27	Body Stud Nut		304 St. St.	2	971511-017-158
28	Body Stud		304 St. St.	2	435010-380-177
	Actuator	Spring Diaphragm			See Pages 24-29
		Manual Actuator			See Pages 30-32
		Double Acting Cylinder			See Page 33

• Recommended Spare Part

\* Recommended for use in Slurry Service



Note 1: Use of 316 St. St. Shaft reduces pressure drop capability.  
Valve will perform per St. St. construction Tables listed in SD CF5000.  
Note 2: Stellite Bushings must be used with 316 St. St. Shaft.

**Parts List for 12" Carbon Steel Body S/A  
35002 Series Camflex II**

PSI FF 5000 Rev. 7/99  
35002 Series, Camflex II  
Body S/A

Include Serial Number When Ordering

Ref. No.	Part	Remarks	Material	Qty	Part Number
1	Body	Fits between ANSI Class 150 Flgs.	Carbon Steel A216 Gr. WCB	1	035012-004-100
		Fits between ANSI Class 300 Flgs.		1	035012-005-100
		Fits between ANSI Class 400 Flgs.		1	035012-006-100
		Fits between ANSI Class 600 Flgs.		1	035012-007-100
		Flanged ANSI Class 150		1	035012-010-100
		Flanged ANSI Class 300		1	035012-011-100
2	Seat Ring	Full Area Cv = 1750	316 St. St.	1	435012-181-163
			316 St. St. w/PTFE	1	435012-192-999
			316 St. St. w/HF	1	435012-181-596
			316 St. St. w/ Full Bore Stellite *	1	011471-131-587
		.6 Factor Cv = 1050	316 St. St.	1	035012-184-163
			316 St. St. w/PTFE	1	035012-187-999
			316 St. St. w/HF	1	035012-184-587
			316 St. St. w/ Full Bore Stellite *	1	011491-505-587
		.4 Factor Cv = 700	316 St. St.	1	035012-185-163
			316 St. St. w/PTFE	1	035012-189-999
			316 St. St. w/HF	1	035012-185-587
			316 St. St. w/ Full Bore Stellite *	1	011491-507-587
3	Retainer	Flanged or Flangeless Body	316 St. St.	1	435012-244-163
			316 St. St. w/ Full Bore Stellite *	1	011471-473-587
4	Plug	Full Area	316 St. St. w/Full HF *	1	035012-104-587
		Reduced Area	316 St. St. w/Full HF *	1	035012-105-587
13	Packing Flange Stud		304 St. St.	2	435010-381-177
13A	Packing Flg. Stud Nut		304 St. St.	2	971511-017-158
14	Packing Flange		Carbon Steel A105	1	435010-284-100
15	EF Seal	Includes O Rings	303 St. St./Viton	1	035012-925-999
			303 St. St./Kalrez	1	035012-926-999
16	Safety Pin		316 St. St.	1	435010-270-163
17*	Packing Kit		Crane 285K	1	011488-504-999
		Optional	Flex. Graphite	1	011487-301-999
18	Retaining Ring		PH 15-7 Mo	1	971881-058-181
19	Shaft	Standard	17-4 PH	1	035012-121-215
		Optional: (See Note 1 & 2)	316 St. St.	1	035012-120-163
20	Spacer Tube		304 St. St.	1	435012-230-153
21	Upper Guide Bushing	Standard	440C St. St.	1	435012-140-220
		Optional: (See Note 2)	Stellite 6	1	435012-150-567
	Upper Seal Bushing	For Slurry & Viscous Service	Stellite 6 *	1	435012-152-567
21A*	Inner O-Ring	For Slurry & Viscous Service	Viton	1	971886-149-697
21B*	Outer O-Ring	For Slurry & Viscous Service	Viton	1	971886-023-697
22	Lower Guide Bushing	Standard	440C St. St.	1	035012-164-220
		Optional: (See Note 2)	Stellite 6	1	035012-164-567
	Lower Seal Bushing	For Slurry & Viscous Service	Stellite 6 *	1	035012-165-567
22A*	Inner O-Ring	For Slurry & Viscous Service	Viton	1	971886-187-697
22B*	Outer O-Ring	For Slurry & Viscous Service	Viton	1	971886-023-697
23	Packing Box Ring		316 St. St.	1	435012-250-163
24	Warning Plate		Various	1	011808-004-888
25	Flow Arrow Plate		304 St. St.	1	983736-001-153
26	Plate Screw		300 Series St. St.	2	971335-002-250
27	Body Stud Nut		304 St. St.	2	971511-017-158
28	Body Stud		304 St. St.	2	435010-380-177
	Actuator	Spring Diaphragm			See Pages 24-29
		Manual Actuator			See Pages 30-32
		Double Acting Cylinder			See Page 33

\* Recommended Spare Part

\* Recommended for use in Slurry Service



Note 1: Use of 316 St. St. Shaft reduces pressure drop capability.  
Valve will perform per St. St. construction Tables listed in SD CF5000.  
Note 2: Stellite Bushings must be used with 316 St. St. Shaft.

# Parts List for 1" Stainless Steel Body S/A 35002 Series Camflex II

PSI FF 5000 Rev. 7/99  
35002 Series, Camflex II  
Body S/A

Include Serial Number When Ordering

Ref. NO.	Part	Remarks	Material	Qty	Part Number
1	Body	Screwed Ends	316 St. St. A351 Gr. CF8M	1	035000-005-163
		Fits between ANSI Class 150-600 Flanges		1	035000-004-163
		Flanged ANSI Class 150		1	976008-052-163
		Flanged ANSI Class 300		1	976008-058-163
2	Seat Ring	Full Area Cv = 14	316 St. St.	1	035000-184-163
			316 St. St. w/PTFE	1	035000-187-999
			Stellite 6 *	1	035000-184-567
		.6 Factor Cv = 8.4	316 St. St.	1	011471-204-163
			316 St. St. w/PTFE	1	011471-219-999
			Stellite 6 *	1	011471-204-567
		.4 Factor Cv = 5.6	316 St. St.	1	035000-185-163
			316 St. St. w/PTFE	1	035000-189-999
			Stellite 6 *	1	035000-185-567
		.2 Factor Cv = 2.8	316 St. St.	1	011471-324-163
			Stellite 6 *	1	011471-324-567
			Seat Ring Wrench		
3	Retainer	Flanged or Flangeless Body	316 St. St.	1	035000-244-163
			Stellite 6 *	1	035000-244-567
4	Plug	Full or Reduced Area	Stellite 6 *	1	435000-104-567
13	Packing Flange Stud		304 St. St.	2	435000-381-177
13A	Packing Flg. Stud Nut		304 St. St.	2	971511-012-158
14	Packing Flange		304 St. St.	1	435000-284-153
15	EF Seal	Includes O-Rings	303 St. St./Viton	1	035000-925-999
			303 St. St./Kalrez	1	035000-926-999
16	Safety Pin		316 St. St.	1	435000-270-163
17•	Packing Kit		Crane 285K	1	011488-500-999
		Optional	Flex. Graphite	1	011487-297-999
18	Retaining Ring		PH 15-7 Mo	1	971881-054-181
19	Shaft		316 St. St.	1	035000-120-163
20	Spacer Tube		304 St. St.	1	035000-230-153
21	Upper Guide Bushing		Stellite 6	1	435000-150-567
	Upper Seal Bushing	For Slurry & Viscous Service	Stellite 6 *	1	435000-150-567
21A•	Inner O-Ring	For Slurry & Viscous Service	Viton	0	Not Used
21B•	Outer O-Ring	For Slurry & Viscous Service	Viton	0	Not Used
22	Lower Guide Bushing		Stellite 6	1	435000-170-567
	Lower Seal Bushing	For Slurry & Viscous Service	Stellite 6 *	1	435000-170-567
22A•	Inner O-Ring	For Slurry & Viscous Service	Viton	0	Not Used
22B•	Outer O-Ring	For Slurry & Viscous Service	Viton	0	Not Used
23	Packing Box Ring		316 St. St.	1	435001-250-163
24	Warning Plate		Various	1	011808-004-888
25	Flow Arrow Plate		304 St. St.	1	983736-001-153
26	Plate Screw		300 Series St. St.	2	971335-002-250
27	Body Stud Nut		304 St. St.	2	971511-012-158
28	Body Stud		304 St. St.	2	435000-380-177
	Actuator	Spring Diaphragm			See Pages 24-29
		Manual Actuator			See Pages 30-32

• Recommended Spare Part

\* Recommended for use in Slurry Service



# Parts List for 1-1/2" Stainless Steel Body S/A 35002 Series Camflex II

PSI FF 5000 Rev. 7/99  
35002 Series, Camflex II  
Body S/A

Include Serial Number When Ordering

Ref. NO.	Part	Remarks	Material	Qty	Part Number	
1	Body	Screwed Ends		1	035001-005-163	
		Fits between ANSI Class 150-600 Flanges	316 St. St.	1	035001-004-163	
		Flanged ANSI Class 150	A351 Gr. CF8M	1	976008-053-163	
		Flanged ANSI Class 300		1	976008-059-163	
2	Seat Ring	Full Area Cv = 30	316 St. St.	1	035001-184-163	
			316 St. St. w/PTFE	1	035001-187-999	
			Stellite 6 *	1	035001-184-567	
		.6 Factor Cv = 18	316 St. St.	1	011471-203-163	
			316 St. St. w/PTFE	1	011471-217-999	
			Stellite 6 *	1	011471-203-567	
		.4 Factor Cv = 12	316 St. St.	1	035001-185-163	
			316 St. St. w/PTFE	1	035001-189-999	
		.2 Factor Cv = 6	Stellite 6 *	1	035001-185-567	
			316 St. St.	1	011471-357-163	
				Stellite 6 *	1	011471-357-567
			Seat Ring Wrench			1
3	Retainer	For Flangeless Body	316 St. St.	1	035001-244-163	
			Stellite 6 *	1	035001-244-567	
		For Flanged Body	316 St. St.	1	011471-306-163	
			Stellite 6 *	1	011471-306-567	
4	Plug	Full or Reduced Area	Stellite 6 *	1	435001-104-567	
13	Packing Flange Stud		304 St. St.	2	435000-381-177	
13A	Packing Fig. Stud Nut		304 St. St.	2	971511-012-158	
14	Packing Flange		304 St. St.	1	435000-284-153	
15	EF Seal	Includes O-Rings	303 St. St./Viton	1	035000-925-999	
			303 St. St./Kalrez	1	035000-926-999	
16	Safety Pin		316 St. St.	1	435000-270-163	
17*	Packing Kit		Crane 285K	1	011488-500-999	
		Optional	Flex. Graphite	1	011487-297-999	
18	Retaining Ring		PH 15-7 Mo	1	971881-154-181	
19	Shaft		316 St. St.	1	035001-120-163	
20	Spacer Tube		304 St. St.	1	435001-230-153	
21	Upper Guide Bushing		Stellite 6	1	435001-150-567	
	Upper Seal Bushing	For Slurry & Viscous Service	Stellite 6 *	1	435001-152-567	
21A*	Inner O-Ring	For Slurry & Viscous Service	Viton	1	971886-088-697	
21B*	Outer O-Ring	For Slurry & Viscous Service	Viton	1	971886-136-697	
22	Lower Guide Bushing		Stellite 6	1	435001-170-567	
	Lower Seal Bushing	For Slurry & Viscous Service	Stellite 6 *	1	435001-172-567	
22A*	Inner O-Ring	For Slurry & Viscous Service	Viton	1	971886-102-697	
22B*	Outer O-Ring	For Slurry & Viscous Service	Viton	1	971886-136-697	
23	Packing Box Ring		316 St. St.	1	435001-250-163	
24	Warning Plate		Various	1	011808-004-888	
25	Flow Arrow Plate		304 St. St.	1	983736-001-153	
26	Plate Screw		300 Series St. St.	2	971335-002-250	
27	Body Stud Nut		304 St. St.	2	971511-012-158	
28	Body Stud		304 St. St.	2	435000-380-177	
	Actuator	Spring Diaphragm			See Pages 24-29	
		Manual Actuator			See Pages 30-32	

• Recommended Spare Part

\* Recommended for use in Slurry Service



# Parts List for 2" Stainless Steel Body S/A 35002 Series Camflex II

PSI FF 5000 Rev. 7/99  
35002 Series, Camflex II  
Body S/A

Include Serial Number When Ordering

Ref. NO.	Part	Remarks	Material	Qty	Part Number
1	Body	Screwed Ends	316 St. St. A351 Gr. CF8M	1	435002-005-163
		Fits between ANSI Class 150-600 Flanges		1	435002-004-163
		Flanged ANSI Class 150		1	976008-054-163
		Flanged ANSI Class 300		1	976008-060-163
2	Seat Ring	Full Area Cv = 50	316 St. St.	1	435002-180-163
			316 St. St. w/PTFE	1	435002-190-999
			Stellite 6 *	1	435002-180-567
		.6 Factor Cv = 30	316 St. St.	1	011471-205-163
			316 St. St. w/PTFE	1	011471-209-999
			Stellite 6 *	1	011471-205-567
		.4 Factor Cv = 20	316 St. St.	1	435002-181-163
			316 St. St. w/PTFE	1	435002-191-999
			Stellite 6 *	1	435002-181-567
		.2 Factor Cv = 10	316 St. St.	1	011471-358-163
			Stellite 6 *	1	011471-358-567
			Seat Ring Wrench		
3	Retainer	Flanged or Flangeless Body	316 St. St.	1	435002-244-163
			Stellite 6 *	1	435002-244-567
4	Plug	Full or Reduced Area	Stellite 6 *	1	435002-104-567
13	Packing Flange Stud		304 St. St.	2	435000-381-177
13A	Packing Fig. Stud Nut		304 St. St.	2	971511-012-158
14	Packing Flange		304 St. St.	1	435000-284-153
15	EF Seal	Includes O-Rings	303 St. St./Viton	1	035000-925-999
			303 St. St./Kalrez	1	035000-926-999
16	Safety Pin		316 St. St.	1	435000-270-163
17*	Packing Kit		Crane 285K	1	011488-500-999
		Optional	Flex. Graphite	1	011487-297-999
18	Retaining Ring		PH 15-7 Mo	1	971881-054-181
19	Shaft		316 St. St.	1	035002-120-163
20	Spacer Tube		304 St. St.	1	435001-230-153
21	Upper Guide Bushing		Stellite 6	1	435001-150-567
	Upper Seal Bushing	For Slurry & Viscous Service	Stellite 6 *	1	435001-152-567
21A*	Inner O-Ring	For Slurry & Viscous Service	Viton	1	971886-088-697
21B*	Outer O-Ring	For Slurry & Viscous Service	Viton	1	971886-136-697
22	Lower Guide Bushing		Stellite 6	1	435001-170-567
	Lower Seal Bushing	For Slurry & Viscous Service	Stellite 6 *	1	435001-172-567
22A*	Inner O-Ring	For Slurry & Viscous Service	Viton	1	971886-102-697
22B*	Outer O-Ring	For Slurry & Viscous Service	Viton	1	971886-136-697
23	Packing Box Ring		316 St. St.	1	435001-250-163
24	Warning Plate		Various	1	011808-004-888
25	Flow Arrow Plate		304 St. St.	1	983736-001-153
26	Plate Screw		300 Series St. St.	2	971335-002-250
27	Body Stud Nut		304 St. St.	2	971511-012-158
28	Body Stud		304 St. St.	2	435000-380-177
	Actuator	Spring Diaphragm			See Pages 24-29
		Manual Actuator			See Pages 30-32

• Recommended Spare Part

\* Recommended for use in Slurry Service



# Parts List for 3" Stainless Steel Body S/A 35002 Series Camflex II

PSI FF 5000 Rev. 7/99  
35002 Series, Camflex II  
Body S/A

Include Serial Number When Ordering

Ref. NO.	Part	Remarks	Material	Qty	Part Number
1	Body	Fits between ANSI Class 150-600 Flanges	316 St. St.	1	435003-004-163
		Flanged ANSI Class 150	A351 Gr. CF8M	1	976008-055-163
		Flanged ANSI Class 300		1	976008-061-163
2	Seat Ring	Full Area Cv = 135	316 St. St.	1	435003-180-163
			316 St. St. w/PTFE	1	435003-193-999
			Stellite 6 *	1	435003-180-567
		.6 Factor Cv = 81	316 St. St.	1	011471-201-163
			316 St. St. w/PTFE	1	011471-211-999
			Stellite 6 *	1	011471-201-567
		.4 Factor Cv = 54	316 St. St.	1	435003-182-163
			316 St. St. w/PTFE	1	435003-192-999
			Stellite 6 *	1	435003-182-567
<b>Seat Ring Wrench</b>				1	008375-010-213
3	Retainer	Flanged Body	316 St. St.	1	011471-305-163
			Stellite 6 *	1	011471-305-567
		Flangeless Body	316 St. St.	1	435003-244-163
			Stellite 6 *	1	435003-244-567
4	Plug	Full or Reduced Area	Stellite 6 *	1	035003-104-567
13	Packing Flange Stud		304 St. St.	2	435003-381-177
13A	Packing Flg. Stud Nut		304 St. St.	2	971511-014-158
14	Packing Flange		304 St. St.	1	435003-284-153
15	EF Seal	Includes O-Rings	303 St. St./Viton	1	035003-925-999
			303 St. St./Kalrez	1	035003-926-999
16	Safety Pin		316 St. St.	1	435003-270-163
17•	Packing Kit		Crane 285K	1	011488-501-999
		Optional	Flex. Graphite	1	011487-298-999
18	Retaining Ring		PH 15-7 Mo	1	971881-052-181
19	Shaft		316 St. St.	1	035003-120-163
20	Spacer Tube		304 St. St.	1	435003-230-153
21	Upper Guide Bushing		Stellite 6	1	435003-150-567
	Upper Seal Bushing	For Slurry & Viscous Service	Stellite 6 *	1	435003-152-567
21A•	Inner O-Ring	For Slurry & Viscous Service	Viton	1	971886-101-697
21B•	Outer O-Ring	For Slurry & Viscous Service	Viton	1	971886-145-697
22	Lower Guide Bushing		Stellite 6	1	035003-164-567
	Lower Seal Bushing	For Slurry & Viscous Service	Stellite 6 *	1	035003-165-567
22A•	Inner O-Ring	For Slurry & Viscous Service	Viton	1	971886-184-697
22B•	Outer O-Ring	For Slurry & Viscous Service	Viton	1	971886-145-697
23	Packing Box Ring		316 St. St.	1	435003-250-163
24	Warning Plate		Various	1	011808-004-888
25	Flow Arrow Plate		304 St. St.	1	983736-001-153
26	Plate Screw		300 Series St. St.	2	971335-002-250
27	Body Stud Nut		304 St. St.	2	971511-014-158
28	Body Stud		304 St. St.	2	435003-380-177
	Actuator	Spring Diaphragm			See Pages 24-29
		Manual Actuator			See Pages 30-32

• Recommended Spare Part

\* Recommended for use in Slurry Service





# Parts List for 4" Stainless Steel Body S/A 35002 Series Camflex II

PSI FF 5000 Rev. 7/99  
35002 Series, Camflex II  
Body S/A

Include Serial Number When Ordering

Ref. NO.	Part	Remarks	Material	Qty	Part Number
1	Body	Fits between ANSI Class 150-600 Flanges	316 St. St.	1	435004-004-163
		Flanged ANSI Class 150	A351 Gr. CF8M	1	976008-056-163
		Flanged ANSI Class 300		1	976008-062-163
2	Seat Ring	Full Area Cv = 230	316 St. St.	1	435004-181-163
			316 St. St. w/PTFE	1	435004-195-999
			Stellite 6 *	1	435004-181-567
		.6 Factor Cv = 138	316 St. St.	1	011471-206-163
			316 St. St. w/PTFE	1	011471-213-999
			Stellite 6 *	1	011471-206-567
		.4 Factor Cv = 92	316 St. St.	1	435004-184-163
			316 St. St. w/PTFE	1	435004-194-999
			Stellite 6 *	1	435004-184-567
	Seat Ring Wrench			1	008375-006-213
3	Retainer	Flanged or Flangeless Body	316 St. St.	1	435004-244-163
			Stellite 6	1	435004-244-567
4	Plug	Full or Reduced Area	Stellite 6 *	1	035004-104-567
			316 St. St. w/HF	1	035004-104-587
13	Packing Flange Stud		304 St. St.	2	435003-381-177
13A	Packing Flg. Stud Nut		304 St. St.	2	971511-014-158
14	Packing Flange		304 St. St.	1	435003-284-153
15	EF Seal	Includes O-Rings	303 St. St./Viton	1	035004-925-999
			303 St. St./Kalrez	1	035004-926-999
16	Safety Pin		316 St. St.	1	435004-270-163
17*	Packing Kit		Crane 285K	1	011488-502-999
		Optional	Flex. Graphite	1	011487-299-999
18	Retaining Ring		PH 15-7 Mo	1	971881-055-181
19	Shaft		316 St. St.	1	035004-120-163
20	Spacer Tube		304 St. St.	1	435004-230-153
21	Upper Guide Bushing		Stellite 6	1	435004-150-567
	Upper Seal Bushing	For Slurry & Viscous Service	Stellite 6 *	1	435004-152-567
21A*	Inner O-Ring	For Slurry & Viscous Service	Viton	1	971886-098-697
21B*	Outer O-Ring	For Slurry & Viscous Service	Viton	1	971886-117-697
22	Lower Guide Bushing		Stellite 6	1	035004-164-567
	Lower Seal Bushing	For Slurry & Viscous Service	Stellite 6 *	1	035004-165-567
22A*	Inner O-Ring	For Slurry & Viscous Service	Viton	1	971886-185-697
22B*	Outer O-Ring	For Slurry & Viscous Service	Viton	1	971886-117-697
23	Packing Box Ring		316 St. St.	1	435004-250-163
24	Warning Plate		Various	1	011808-004-888
25	Flow Arrow Plate		304 St. St.	1	983736-001-153
26	Plate Screw		300 Series St. St.	2	971335-002-250
27	Body Stud Nut		304 St. St.	2	971511-014-15
28	Body Stud		304 St. St.	2	435003-380-177
	Actuator	Spring Diaphragm			See Pages 24-29
		Manual Actuator			See Pages 30-32

• Recommended Spare Part

\* Recommended for use in Slurry Service



# Parts List for 6" Stainless Steel Body S/A 35002 Series Camflex II

PSI FF 5000 Rev. 7/99  
35002 Series, Camflex II  
Body S/A

Include Serial Number When Ordering

Ref. NO.	Part	Remarks	Material	Qty	Part Number
1	Body	Fits between ANSI Class 150-600 Flgs	316 St. St.	1	435006-004-163
		Flanged ANSI Class 150	A351 Gr. CF8M	1	976008-057-163
		Flanged ANSI Class 300		1	976008-063-163
2	Seat Ring	Full Area Cv = 500	316 St. St.	1	435006-181-163
			316 St. St. w/PTFE	1	435006-195-999
			316 St. St. w/HF	1	435006-181-596
			316 St. St. w/ Full Bore Stellite *	1	011471-001-596
		.6 Factor Cv = 300	316 St. St.	1	011471-207-163
			316 St. St. w/PTFE	1	011471-215-999
			316 St. St. w/ HF	1	011471-125-587
			316 St. St. w/ Full Bore Stellite *	1	011471-299-596
		.4 Factor Cv = 200	316 St. St.	1	435006-184-163
			316 St. St. w/ PTFE	1	435006-194-999
			316 St. St. w/HF	1	435006-184-596
			316 St. St. w/ Full Bore Stellite *	1	011471-119-596
3	Retainer	Flanged or Flangeless Body	316 St. St.	1	435006-244-163
			316 St. St. w/ Full Bore Stellite *	1	011471-300-587
4	Plug	Full or Reduced Area	316 St. St. w/Full HF *	1	035006-104-587
13	Packing Flange Stud		304 St. St.	2	435006-381-177
13A	Packing Flg. Stud Nut		304 St. St.	2	971511-016-158
14	Packing Flange		304 St. St.	1	435006-284-153
15	EF Seal	Includes O-Rings	303 St. St./Viton	1	035006-925-999
			303 St. St./Kalrez	1	035006-926-999
16	Safety Pin		316 St. St.	1	435003-270-163
17•	Packing Kit		Crane 285K	1	011488-503-999
		Optional	Flex. Graphite	1	011487-300-999
18	Retaining Ring		PH 15-7 Mo	1	971881-056-181
19	Shaft		316 St. St.	1	035006-120-163
20	Spacer Tube		304 St. St.	1	435006-230-153
21	Upper Guide Bushing		Stellite 6	1	435006-150-567
	Upper Seal Bushing	For Slurry & Viscous Service	Stellite 6 *	1	435006-152-567
21A•	Inner O-Ring	For Slurry & Viscous Service	Viton	1	971886-146-697
21B•	Outer O-Ring	For Slurry & Viscous Service	Viton	1	971886-147-697
22	Lower Guide Bushing		Stellite 6	1	035006-164-567
	Lower Seal Bushing	For Slurry & Viscous Service	Stellite 6 *	1	035006-165-567
22A•	Inner O-Ring	For Slurry & Viscous Service	Viton	1	971886-186-697
22B•	Outer O-Ring	For Slurry & Viscous Service	Viton	1	971886-147-697
23	Packing Box Ring		316 St. St.	1	435006-250-163
24	Warning Plate		Various	1	011808-004-888
25	Flow Arrow Plate		304 St. St.	1	983736-001-153
26	Plate Screw		300 Series St. St.	2	971335-002-250
27	Body Stud Nut		304 St. St.	2	971511-016-158
28	Body Stud		304 St. St.	2	435006-380-177
	Actuator	Spring Diaphragm			See Pages 24-29
		Manual Actuator			See Pages 30-32
		Double Acting Cylinder			See Page 33

• Recommended Spare Part

\* Recommended for use in Slurry Service



# Parts List for 8" Stainless Steel Body S/A 35002 Series Camflex II

PSI FF 5000 Rev. 7/99  
35002 Series, Camflex II  
Body S/A

Include Serial Number When Ordering

Ref. NO.	Part	Remarks	Material	Qty	Part Number
1	Body	Fits between ANSI Class 150 Flgs.	316 St. St. A351 Gr. CF8M	1	435008-004-163
		Fits between ANSI Class 300 Flgs.		1	435008-005-163
		Fits between ANSI Class 400 Flgs.		1	435008-006-163
		Fits between ANSI Class 600 Flgs.		1	435008-007-163
		Flanged ANSI Class 150		1	011471-486-163
		Flanged ANSI Class 300		1	011471-498-163
2	Seat Ring	Full Area Cv = 850	316 St. St.	1	435008-181-163
			316 St. St. w/PTFE	1	435008-192-999
			316 St. St. w/HF	1	435008-181-596
			316 St. St. w/ Full Bore Stellite *	1	011471-375-587
		.6 Factor Cv = 510	316 St. St.	1	035008-184-163
			316 St. St. w/PTFE	1	035008-187-999
			316 St. St. w/HF	1	035008-184-587
			316 St. St. w/ Full Bore Stellite *	1	011471-312-596
		.4 Factor Cv = 340	316 St. St.	1	035008-185-163
			316 St. St. w/PTFE	1	035008-189-999
			316 St. St. w/HF	1	035008-185-587
			316 St. St. w/ Full Bore Stellite *	1	011471-484-587
3	Retainer	For Flanged Body	316 St. St.	1	011996-146-163
			316 St. St. w/ Full Bore Stellite *	1	011996-145-587
		For Flangeless Body	316 St. St.	1	435006-244-163
			316 St. St. w/ Full Bore Stellite *	1	011471-376-587
4	Plug	Full Area	316 St. St. w/Full HF *	1	035008-104-587
		Reduced Area	316 St. St. w/Full HF *	1	035008-105-587
13	Packing Flange Stud		304 St. St.	2	435006-381-177
13A	Packing Flg. Stud Nut		304 St. St.	2	971511-016-158
14	Packing Flange		304 St. St.	1	435006-284-153
15	EF Seal	Includes O-Rings	303 St. St./Viton	1	035006-925-999
			303 St. St./Kalrez	1	035006-926-999
16	Safety Pin		316 St. St.	1	435003-270-163
17*	Packing Kit		Crane 285K	1	011488-503-999
		Optional	Flex. Graphite	1	011487-300-999
18	Retaining Ring		PH 15-7 Mo	1	971881-056-181
19	Shaft		316 St. St.	1	035008-120-163
20	Spacer Tube		304 St. St.	1	435008-230-153
21	Upper Guide Bushing		Stellite 6	1	435006-150-567
	Upper Seal Bushing	For Slurry & Viscous Service	Stellite 6 *	1	435006-152-567
21A*	Inner O-Ring	For Slurry & Viscous Service	Viton	1	971886-146-697
21B*	Outer O-Ring	For Slurry & Viscous Service	Viton	1	971886-147-697
22	Lower Guide Bushing		Stellite 6	1	035006-164-567
	Lower Seal Bushing	For Slurry & Viscous Service	Stellite 6 *	1	035006-165-567
22A*	Inner O-Ring	For Slurry & Viscous Service	Viton	1	971886-186-697
22B*	Outer O-Ring	For Slurry & Viscous Service	Viton	1	971886-147-697
23	Packing Box Ring		316 St. St.	1	435006-250-163
24	Warning Plate		Various	1	011808-004-888
25	Flow Arrow Plate		304 St. St.	1	983736-001-153
				2	971511-016-158
28	Body Stud		304 St. St.	2	435006-380-177
	Actuator	Spring Diaphragm			See Pages 24-29
		Manual Actuator			See Pages 30-32
		Double Acting Cylinder			See Page 33

• Recommended Spare Part

\* Recommended for use in Slurry Service



**Parts List for 10" Stainless Steel Body S/A  
35002 Series Camflex II**

PSI FF 5000 Rev. 7/99  
35002 Series, Camflex II  
Body S/A

Include Serial Number When Ordering

Ref. NO.	Part	Remarks	Material	Qty	Part Number
1	Body	Fits between ANSI Class 150 Flgs.	316 St. St. A351 Gr. CF8M	1	035010-004-163
		Fits between ANSI Class 300 Flgs.		1	035010-005-163
		Fits between ANSI Class 400 Flgs.		1	035010-006-163
		Fits between ANSI Class 600 Flgs.		1	035010-007-163
		Flanged ANSI Class 150		1	035010-010-163
		Flanged ANSI Class 300		1	035010-011-163
2	Seat Ring	Full Area Cv = 1300	316 St. St.	1	435010-181-163
			316 St. St. w/PTFE	1	435010-192-999
			316 St. St. w/HF	1	435010-181-596
			316 St. St. w/ Full Bore Stellite *	1	011471-373-587
		.6 Factor Cv = 780	316 St. St.	1	035010-184-163
			316 St. St. w/PTFE	1	035010-187-999
			316 St. St. w/HF	1	035010-184-587
			316 St. St. w/ Full Bore Stellite *	1	011471-516-587
		.4 Factor Cv = 520	316 St. St.	1	035010-185-163
			316 St. St. w/PTFE	1	035010-189-999
			316 St. St. w/HF	1	035010-185-587
			316 St. St. w/ Full Bore Stellite *	1	011471-584-587
3	Retainer	Flanged or Flangeless Body	316 St. St.	1	435010-244-163
			316 St. St. w/ Full Bore Stellite *	1	011471-374-587
4	Plug	Full Area	316 St. St. w/Full HF *	1	035010-104-587
		Reduced Area	316 St. St. w/Full HF *	1	035010-105-587
13	Packing Flange Stud		304 St. St.	2	435010-381-177
13A	Packing Flg. Stud Nut		304 St. St.	2	971511-017-158
14	Packing Flange		304 St. St.	1	435010-284-153
15	EF Seal	Includes O-Rings	303 St. St./Viton	1	035010-925-999
			303 St. St./Kalrez	1	035010-926-999
16	Safety Pin		316 St. St.	1	435010-270-163
17*	Packing Kit		Crane 285K	1	011488-504-999
		Optional	Flex. Graphite	1	011487-301-999
18	Retaining Ring		PH 15-7 Mo	1	971881-057-181
19	Shaft		316 St. St.	1	035010-120-163
20	Spacer Tube		304 St. St.	1	435010-230-153
21	Upper Guide Bushing		Stellite 6	1	435010-150-567
	Upper Seal Bushing	For Slurry & Viscous Service	Stellite 6 *	1	435010-152-567
21A*	Inner O-Ring	For Slurry & Viscous Service	Viton	1	971886-148-697
21B*	Outer O-Ring	For Slurry & Viscous Service	Viton	1	971886-023-697
22	Lower Guide Bushing		Stellite 6	1	035010-164-567
	Lower Seal Bushing	For Slurry & Viscous Service	Stellite 6 *	1	035010-165-567
22A*	Inner O-Ring	For Slurry & Viscous Service	Viton	1	971886-018-697
22B*	Outer O-Ring	For Slurry & Viscous Service	Viton	1	971886-023-697
23	Packing Box Ring		316 St. St.	1	435010-250-163
24	Warning Plate		Various	1	011808-004-888
25	Flow Arrow Plate		304 St. St.	1	983736-001-153
26	Plate Screw		300 Series St. St.	2	971335-002-250
27	Body Stud Nut		304 St. St.	2	971511-017-158
	Actuator	Spring Diaphragm			See Pages 24-29
		Manual Actuator			See Pages 30-32
		Double Acting Cylinder			See Page 33

• Recommended Spare Part

\* Recommended for use in Slurry Service



**Parts List for 12" Stainless Steel Body S/A  
35002 Series Camflex II**

PSI FF 5000 Rev. 7/99  
35002 Series, Camflex II  
Body S/A

**Include Serial Number When Ordering**

Ref. NO.	Part	Remarks	Material	Qty	Part Number
1	Body	Fits between ANSI Class 150 Flgs.	316 St. St. A351 Gr. CF8M	1	035012-004-163
		Fits between ANSI Class 300 Flgs.		1	035012-005-163
		Fits between ANSI Class 400 Flgs.		1	035012-006-163
		Fits between ANSI Class 600 Flgs.		1	035012-007-163
		Flanged ANSI Class 150		1	035012-010-163
		Flanged ANSI Class 300		1	035012-011-163
2	Seat Ring	Full Area Cv = 1750	316 St. St.	1	435012-181-163
			316 St. St. w/PTFE	1	435012-192-999
			316 St. St. w/HF	1	435012-181-596
			316 St. St. w/ Full Bore Stellite *	1	011471-131-587
		.6 Factor Cv = 1050	316 St. St.	1	035012-184-163
			316 St. St. w/PTFE	1	035012-187-999
			316 St. St. w/HF	1	035012-184-587
			316 St. St. w/ Full Bore Stellite *	1	011491-505-587
		.4 Factor Cv = 700	316 St. St.	1	035012-185-163
			316 St. St. w/PTFE	1	035012-189-999
			316 St. St. w/HF	1	035012-185-587
			316 St. St. w/ Full Bore Stellite *	1	011491-507-587
3	Retainer	Flanged or Flangeless Body	316 St. St.	1	435012-244-163
			316 St. St. w/ Full Bore Stellite *	1	011471-473-587
4	Plug	Full Area	316 St. St. w/Full HF *	1	035012-104-587
		Reduced Area	316 St. St. w/Full HF *	1	035012-105-587
13	Packing Flange Stud		304 St. St.	2	435010-381-177
13A	Packing Flg. Stud Nut		304 St. St.	2	971511-017-158
14	Packing Flange		304 St. St.	1	435010-284-153
15	EF Seal	Includes O-Rings	303 St. St./Viton	1	035012-925-999
			303 St. St./Kalrez	1	035012-926-999
16	Safety Pin		316 St. St.	1	435010-270-163
17*	Packing Kit		Crane 285K	1	011488-505-999
		Optional	Flex. Graphite	1	011487-302-999
18	Retaining Ring		PH 15-7 Mo	1	971881-058-181
19	Shaft		316 St. St.	1	035012-120-163
20	Spacer Tube		304 St. St.	1	435012-230-153
21	Upper Guide Bushing		Stellite 6	1	435012-150-567
		For Slurry & Viscous Service	Stellite 6 *	1	435012-152-567
21A*	Inner O-Ring	For Slurry & Viscous Service	Viton	1	971886-149-697
21B*	Outer O-Ring	For Slurry & Viscous Service	Viton	1	971886-023-697
22	Lower Guide Bushing		Stellite 6	1	035012-164-567
		For Slurry & Viscous Service	Stellite 6 *	1	035012-165-567
22A*	Inner O-Ring	For Slurry & Viscous Service	Viton	1	971886-187-697
22B*	Outer O-Ring	For Slurry & Viscous Service	Viton	1	971886-023-697
23	Packing Box Ring		316 St. St.	1	435012-250-163
24	Warning Plate		Various	1	011808-004-888
25	Flow Arrow Plate		304 St. St.	1	983736-001-153
26	Plate Screw		300 Series St. St.	2	971335-002-250
27	Body Stud Nut		304 St. St.	2	971511-017-158
	Actuator	Spring Diaphragm			See Pages 24-29
		Manual Actuator			See Pages 30-32
		Double Acting Cylinder			See Page 33

• Recommended Spare Part

\* Recommended for use in Slurry Service



# Parts List for 1" Alloy 20 / Hastelloy C Body S/A 35002 Series Camflex II

PSI FF 5000 Rev. 7/99  
35002 Series, Camflex II  
Body S/A

Include Serial Number When Ordering

Ref. No.	Description	Remarks	Material	Qty	Part Number
1	Body	Screwed Ends	Alloy 20	1	035000-005-C10
		Fits between ANSI Class 150-600 Flanges	Alloy 20	1	035000-004-C10
			Hastelloy C	1	035000-004-573
2	Seat Ring	Full Area Cv = 14	Hastelloy C	1	035000-184-573
		.6 Factor Cv = 8.4		1	011471-204-573
		.4 Factor Cv = 5.6		1	035000-185-573
		.2 Factor Cv = 2.8		1	011471-324-572
	Seat Ring Wrench			1	008375-007-213
3	Retainer		Hastelloy C	1	035000-244-573
4	Plug	Full or Reduced Area	Hastelloy C	1	435000-104-573
13	Packing Flange Stud		Hastelloy C	2	435000-381-572
13A	Packing Flg. Stud Nut		Hastelloy C	2	971511-012-572
14	Packing Flange		Hastelloy C	1	435000-284-572
15	EF Seal	Includes O Rings	Hastelloy C./Viton	1	011487-352-999
16	Safety Pin		Alloy 20	1	435000-270-230
17•	Packing Kit		Crane 285K	1	011488-500-999
		Optional	Flex. Graphite	1	011487-297-999
18	Retaining Ring		PH 15-7 Mo	1	971881-054-181
19	Shaft		Hastelloy C	1	035000-121-572
20	Spacer Tube		Hastelloy C	1	011471-097-572
21	Upper Guide Bushing	Standard	Haynes Alloy 25	1	435000-140-583
22	Lower Guide Bushing	Standard	Haynes Alloy 25	1	435000-160-583
23	Packing Box Ring		Hastelloy C	1	435001-250-572
24	Warning Plate		Various	1	011808-004-888
25	Flow Arrow Plate		304 St. St.	1	983736-001-153
26	Plate Screw		300 Series St. St.	2	971335-002-250
27	Body Stud Nut		Hastelloy C	2	971511-012-572
28	Body Stud		Hastelloy C	2	435000-380-572
	Actuator	Spring Diaphragm			See Pages 24-29
		Manual Actuator			See Pages 30-32

- Recommended Spare Part



# Parts List for 1-1/2" Alloy 20 / Hastelloy C Body S/A 35002 Series Camflex II

PSI FF 5000 Rev. 7/99  
35002 Series, Camflex II  
Body S/A

Include Serial Number When Ordering

Ref. No.	Description	Remarks	Material	Qty	Part Number
1	Body	Screwed Ends	Alloy 20	1	035001-005-C10
		Fits between ANSI Class 150-600 Flanges	Alloy 20	1	035001-004-C10
			Hastelloy C	1	035001-004-573
2	Seat Ring	Full Area Cv = 30	Hastelloy C	1	035001-184-573
		.6 Factor Cv = 18		1	011471-203-573
		.4 Factor Cv = 12		1	035001-185-573
		.2 Factor Cv = 6		1	011471-357-572
	Seat Ring Wrench			1	008375-008-213
3	Retainer		Hastelloy C	1	035001-244-572
4	Plug	Full or Reduced Area	Hastelloy C	1	435001-104-573
13	Packing Flange Stud		Hastelloy C	2	435000-381-572
13A	Packing Flg. Stud Nut		Hastelloy C	2	971511-012-572
14	Packing Flange		Hastelloy C	1	435000-284-572
15	EF Seal	Includes O Rings	Hastelloy C/Viton	1	011487-352-999
16	Safety Pin		Alloy 20	1	435000-270-230
17•	Packing Kit		Crane 285K	1	011488-500-999
		Optional	Flex. Graphite	1	011487-297-999
18	Retaining Ring		PH 15-7 Mo	1	971881-154-181
19	Shaft		Hastelloy C	1	035001-121-572
20	Spacer Tube		Hastelloy C	1	011471-100-572
21	Upper Guide Bushing	Standard	Haynes Alloy 25	1	435001-140-583
	Upper Seal Bushing		Haynes Alloy 25	1	435001-152-583
21A•	Inner O-Ring		Viton	1	971886-088-697
21B•	Outer O-Ring		Viton	1	971886-136-697
22	Lower Guide Bushing	Standard	Haynes Alloy 25	1	435001-160-583
	Lower Seal Bushing		Haynes Alloy 25	1	435001-172-583
22A•	Inner O-Ring		Viton	1	971886-102-697
22B•	Outer O-Ring		Viton	1	971886-136-697
23	Packing Box Ring		Hastelloy C	1	435001-250-572
24	Warning Plate		Various	1	011808-004-888
25	Flow Arrow Plate		304 St. St.	1	983736-001-153
26	Plate Screw		300 Series St. St.	2	971335-002-250
27	Body Stud Nut		Hastelloy C	2	971511-012-572
28	Body Stud		Hastelloy C	2	435000-380-572
	Actuator	Spring Diaphragm			See Pages 24-29
		Manual Actuator			See Pages 30-32

- Recommended Spare Part



# Parts List for 2" Alloy 20 / Hastelloy C Body S/A 35002 Series Camflex II

PSI FF 5000 Rev. 7/99  
35002 Series, Camflex II  
Body S/A

Include Serial Number When Ordering

Ref. No.	Description	Remarks	Material	Qty	Part Number
1	Body	Screwed Ends	Alloy 20	1	435002-005-C10
		Fits between ANSI Class 150-	Alloy 20	1	435002-004-C10
		600 Flanges	Hastelloy C	1	435002-004-573
2	Seat Ring	Full Area Cv = 50	Hastelloy C	1	435002-180-573
		.6 Factor Cv = 30		1	011471-205-572
		.4 Factor Cv = 20		1	435002-181-573
		.2 Factor Cv = 10		1	011471-358-572
	Seat Ring Wrench			1	008375-009-213
3	Retainer		Hastelloy C	1	435002-244-573
4	Plug	Full or Reduced Area	Hastelloy C	1	435002-104-573
13	Packing Flange Stud		Hastelloy C	2	435000-381-572
13A	Packing Flg. Stud Nut		Hastelloy C	2	971511-012-572
14	Packing Flange		Hastelloy C	1	435000-284-572
15	EF Seal	Includes O Rings	303 St. St./Viton	1	011487-352-999
16	Safety Pin		Alloy 20	1	435000-270-230
17•	Packing Kit		Crane 285K	1	011488-500-999
		Optional	Flex. Graphite	1	011487-297-999
18	Retaining Ring		PH 15-7 Mo	1	971881-054-181
19	Shaft		Hastelloy C	1	035002-121-572
20	Spacer Tube		Hastelloy C	1	011471-100-572
21	Upper Guide Bushing	Standard	Haynes Alloy 25	1	435001-140-583
	Upper Seal Bushing		Haynes Alloy 25	1	435001-152-583
21A•	Inner O-Ring		Viton	1	971886-088-697
21B•	Outer O-Ring		Viton	1	971886-136-697
22	Lower Guide Bushing	Standard	Haynes Alloy 25	1	435001-160-583
	Lower Seal Bushing		Haynes Alloy 25	1	435001-172-583
22A•	Inner O-Ring		Viton	1	971886-102-697
22B•	Outer O-Ring		Viton	1	971886-136-697
23	Packing Box Ring		Hastelloy C	1	435001-250-572
24	Warning Plate		Various	1	011808-004-888
25	Flow Arrow Plate		304 St. St.	1	983736-001-153
26	Plate Screw		300 Series St. St.	2	971335-002-250
27	Body Stud Nut		Hastelloy C	2	971511-012-572
28	Body Stud		Hastelloy C	2	435000-380-572
	Actuator	Spring Diaphragm			See Pages 24-29
		Manual Actuator			See Pages 30-32

- Recommended Spare Part





# Parts List for 3" Alloy 20 / Hastelloy C Body S/A 35002 Series Camflex II

PSI FF 5000 Rev. 7/99  
35002 Series, Camflex II  
Body S/A

Include Serial Number When Ordering

Ref. No.	Description	Remarks	Material	Qty	Part Number
1	Body	Fits between ANSI Class 150-600 Flanges	Alloy 20	1	435003-004-C10
			Hastelloy C	1	435003-004-573
2	Seat Ring	Full Area Cv = 135	Hastelloy C	1	435003-180-573
		.6 Factor Cv = 81		1	011471-201-572
		.4 Factor Cv = 54		1	435003-182-573
	Seat Ring Wrench			1	008375-010-213
3	Retainer		Hastelloy C	1	435003-244-573
4	Plug	Full or Reduced Area	Hastelloy C	1	035003-104-573
13	Packing Flange Stud		Hastelloy C	2	435003-381-572
13A	Packing Flg. Stud Nut		Hastelloy C	2	971511-014-572
14	Packing Flange		Hastelloy C	1	435003-284-573
15	EF Seal	Includes O Rings	Hastelloy C/Viton	1	011487-353-999
16	Safety Pin		Alloy 20	1	435003-270-230
17•	Packing Kit		Crane 285K	1	011488-501-999
		Optional	Flex. Graphite	1	011487-298-999
18	Retaining Ring		PH 15-7 Mo	1	971881-052-181
19	Shaft		Hastelloy C	1	035003-121-572
20	Spacer Tube		Hastelloy C	1	011471-088-572
21	Upper Guide Bushing	Standard	Haynes Alloy 25	1	435003-140-583
	Upper Seal Bushing		Haynes Alloy 25	1	435003-152-583
21A•	Inner O-Ring		Viton	1	971886-101-697
21B•	Outer O-Ring		Viton	1	971886-145-697
22	Lower Guide Bushing	Standard	Haynes Alloy 25	1	035003-164-583
	Lower Seal Bushing		Haynes Alloy 25	1	035003-165-583
22A•	Inner O-Ring		Viton	1	971886-184-697
22B•	Outer O-Ring		Viton	1	971886-145-697
23	Packing Box Ring		Hastelloy C	1	435003-250-572
24	Warning Plate		Various	1	011808-004-888
25	Flow Arrow Plate		304 St. St.	1	983736-001-153
26	Plate Screw		300 Series St. St.	2	971335-002-250
27	Body Stud Nut		Hastelloy C	2	971511-014-572
28	Body Stud		Hastelloy C	2	435003-380-572
	Actuator	Spring Diaphragm			See Pages 24-29
		Manual Actuator			See Pages 30-32

- Recommended Spare Part



# Parts List for 4" Alloy 20 / Hastelloy C Body S/A 35002 Series Camflex II

PSI FF 5000 Rev. 7/99  
35002 Series, Camflex II  
Body S/A

Include Serial Number When Ordering

Ref. No.	Description	Remarks	Material	Qty	Part Number
1	Body	Fits between ANSI Class 150-600 Flanges	Alloy 20	1	435004-004-C10
			Hastelloy C	1	435004-004-573
2	Seat Ring	Full Area Cv = 230	Hastelloy C	1	435004-181-573
		.6 Factor Cv = 138		1	011471-206-573
		.4 Factor Cv = 92		1	435004-184-572
	Seat Ring Wrench			1	008375-006-213
3	Retainer		Hastelloy C	1	435004-244-573
4	Plug	Full or Reduced Area	Hastelloy C	1	035004-104-573
13	Packing Flange Stud		Hastelloy C	2	435003-381-572
13A	Packing Flg. Stud Nut		Hastelloy C	2	971511-014-572
14	Packing Flange		Hastelloy C	1	435003-284-573
15	EF Seal	Includes O Rings	Hastelloy C/Viton	1	011487-354-999
16	Safety Pin		Alloy 20	1	435004-270-230
17•	Packing Kit		Crane 285K	1	011488-502-999
		Optional	Flex. Graphite	1	011487-299-999
18	Retaining Ring		PH 15-7 Mo	1	971881-055-181
19	Shaft		Hastelloy C	1	035004-121-572
20	Spacer Tube		Hastelloy C	1	011471-094-572
21	Upper Guide Bushing	Standard	Haynes Alloy 25	1	435004-140-583
	Upper Seal Bushing		Haynes Alloy 25	1	435004-152-583
21A•	Inner O-Ring		Viton	1	971886-098-697
21B•	Outer O-Ring		Viton	1	971886-117-697
22	Lower Guide Bushing	Standard	Haynes Alloy 25	1	035004-164-583
	Lower Seal Bushing		Haynes Alloy 25	1	035004-165-583
22A•	Inner O-Ring		Viton	1	971886-185-697
22B•	Outer O-Ring		Viton	1	971886-117-697
23	Packing Box Ring		Hastelloy C	1	435004-250-572
24	Warning Plate		Various	1	011808-004-888
25	Flow Arrow Plate		304 St. St.	1	983736-001-153
26	Plate Screw		300 Series St. St.	2	971335-002-250
27	Body Stud Nut		Hastelloy C	2	971511-014-572
28	Body Stud		Hastelloy C	2	435003-380-572
	Actuator	Spring Diaphragm			See Pages 24-29
		Manual Actuator			See Pages 30-32

- Recommended Spare Part



# Parts List for 4-1/2 " Spring Diaphragm Actuator

## For use with 1" - 2" 35002 Series Camflex II

PSI FF 5000 Rev. 7/99  
35002 Series, Camflex II  
Actuators

Include Serial Number When Ordering

Ref. NO.	Part	Remarks	Material	Qty	Part Number
A*	Complete Actuator S/A	7 - 15 Range (Standard)	Various	1	835000-006-999
		3 - 15 Range (Optional)			835000-030-999
5	Clevis Pin Clip		302 St. St.	2	435000-521-151
6	Indicator Dot		Vinyl	1	972602-006-779
7	Clevis Pin		17-4 PH	1	435000-340-215
8	Shaft Bearing		Various	1	971701-030-888
	Cover Kit	(9) Shaft - 035000-286-707	Polycarbonate	1	011818-060-999
		(10) Shaft Screw - 971246-015-250	Gen. Aust. 300 St. St.		
		(11) Bottom - 035000-284-707	Polycarbonate		
		(29) Rear - 035000-283-707	Polycarbonate		
		(30) Cover Screws - 971266-017-110	Carbon Steel		
		(31) Screw Retainers - 971886-039-680	Buna-N		
		(32) Front - 035000-282-707	Polycarbonate		
		(48) H/W Thread Plug - 035000-287-707	Polycarbonate		
	(58) Side - 035000-285-707	Polycarbonate			
12	Grommet		Neoprene Rubber	1	035000-330-779
33	Yoke		Cast Iron	1	035000-254-300
34	Lever		Various	1	035000-275-999
35	Clevis		Gen. Aust. 300 St. St.	1	435103-100-250
36	Capscrew		Carbon Steel	2	971004-013-110
37	Lockwasher		Carbon Steel	2	971505-009-110
38	Spring Barrel		B85 AA No. 380.0 Alum.	1	035104-004-609
39	Spring	Range 3-15 psi	Carbon/Alloy	1	000043-113-130
		Range 7-15 psi		1	000043-107-009
40*	Diaphragm		Buna-N w/Dacron	1	035104-040-716
41	Capscrew		Carbon Steel	4	971161-006-109
42	Diaphragm Case		B85 AA No. 380.0 Alum.	1	035104-014-609
43	Piston Assembly		B85 Alum. w/A582 303 Shaft	1	035104-020-779
44	Washer		304 St. St.	1	035000-350-153
45	Locknut		Carbon Steel	1	971511-012-110
46	Locknut		Carbon Steel	1	971511-012-110
	Handwheel Kit (+)	(50) H/W Tru-Arc Ring - 971881-116-053	AISI 1050 to 1095 Carbon St.	1	011471-141-999
		(51) H/W Washer - 971502-040-110	Carbon Steel		
		(52) H/W Lock - 035000-310-609	B85 AA No. 380.0 Alum.		
		(53) Handwheel - 035000-290-779 (Includes H/W Shaft)	Alum. H/W with A582 416 Shaft		
		(54) Direction Plate - 041107-253-707	Polycarbonate		
	(55) Screws - 971287-003-250	Gen. Aust. 300 St. St.			
56	Serial Plate		304 St. St.	1	983750-001-250
57	Plate Screw		Gen. Aust. 300 St. St.	4	971335-002-250
88	Adjustable Indicator		302 St. St.	1	035000-420-151
89	Indicator Screws		Gen. Aust. 300 St. St.	2	971287-003-250

• Recommended Spare Part (+) Parts Required for Field Installation of Handwheel.

❖ Complete Actuator Sub Assembly includes reference numbers 35, and 38 through 46



# Parts List for 6" Spring Diaphragm Actuator For use with 3" 35002 Series Camflex II

PSI FF 5000 Rev. 7/99  
35002 Series, Camflex II  
Actuators

Include Serial Number When Ordering

Ref. NO.	Part	Remarks	Material	Qty	Part Number
A ❖	Complete Actuator S/A	7 - 15 Range (Standard) 3 - 15 Range (Optional)	Various	1	835003-004-999 835000-019-999
5	Clevis Pin Clip		302 St. St.	2	435000-522-151
6	Indicator Dot		Vinyl	1	972602-007-779
7	Clevis Pin		17-4 PH	1	435003-340-215
8	Shaft Bearing		Various	1	435000-421-888
	Cover Kit	(9) Shaft - 035000-286-707	Polycarbonate	1	011818-061-999
		(10) Shaft Screw - 971246-015-250	Gen. Aust. 300 St. St.		
		(11) Bottom - 035003-284-707	Polycarbonate		
		(29) Rear - 035003-283-707	Polycarbonate		
		(30) Cover Screws - 971266-020-110	Carbon Steel		
		(31) Screw Retainers - 971886-039-680	Buna-N		
		(32) Front - 035003-282-707	Polycarbonate		
		(48) H/W Thread Plug - 035000-287-707	Polycarbonate		
	(58) Side - 035003-286-707	Polycarbonate			
12	Grommet		Neoprene Rubber	1	035003-330-779
33	Yoke		Cast Iron	1	035003-254-300
34	Lever		Various	1	035003-275-999
35	Clevis		Gen. Aust. 300 St. St.	1	435105-100-250
36	Capscrew		Carbon Steel	4	971004-017-110
37	Lockwasher		Carbon Steel	4	971505-009-110
38	Spring Barrel		B85 AA No. 380.0 Alum.	1	035106-004-609
39	Spring	Range 3-15 psi	Carbon/Alloy	1	000044-076-130
		Range 7-15 psi		1	000044-065-130
40•	Diaphragm		Buna-N w/Dacron	1	035106-040-716
41	Capscrew		Carbon Steel	4	971159-008-109
42	Diaphragm Case		B85 AA No. 380.0 Alum.	1	035106-014-609
43	Piston Assembly		B85 Alum. w/A582 303 Shaft	1	035106-020-779
44	Washer		304 St. St.	1	035003-350-153
45	Locknut		Carbon Steel	1	971511-014-110
46	Locknut		Carbon Steel	1	971511-014-110
	Handwheel Kit (+)	(50) H/W Tru-Arc Ring - 971881-116-053	AISI 1050 to 1095 Carbon St.	1	011471-141-999
		(51) H/W Washer - 971502-040-110	Carbon Steel		
		(52) H/W Lock - 035000-310-609	B85 AA No. 380.0 Alum.		
		(53) Handwheel - 035000-290-779 (Includes H/W Shaft)	Alum. H/W with A582 416 Shaft		
		(54) Direction Plate - 041107-253-707	Polycarbonate		
		(55) Screws - 971287-003-250	Gen. Aust. 300 St. St.		
56	Serial Plate		304 St. St.	1	983750-001-250
57	Plate Screw		Gen. Aust. 300 St. St.	4	971335-002-250
88	Adjustable Indicator		302 St. St.	1	035006-420-151
89	Indicator Screws		Gen. Aust. 300 St. St.	2	971287-003-250

• Recommended Spare Part (+) Parts Required for Field Installation of Handwheel.

❖ Complete Actuator Sub Assembly includes reference numbers 35, and 38 through 46



**Parts List for 6" Spring Diaphragm Actuator  
For use with 4" 35002 Series Camflex II**

Include Serial Number When Ordering

Ref. NO.	Part	Remarks	Material	Qty	Part Number	
A	Complete Actuator S/A	7 - 15 Range (Standard)	Various	1	835003-004-999	
		3 - 15 Range (Optional)			835003-019-999	
5	Clevis Pin Clip		302 St. St.	2	435000-522-151	
6	Indicator Dot		Vinyl	1	972602-007-779	
7	Clevis Pin		17-4 PH	1	435003-340-215	
8	Shaft Bearing		Various	1	435000-421-888	
Cover Kit		(9) Shaft - 035000-286-707	Polycarbonate	1	011818-061-999	
		(10) Shaft Screw - 971246-015-250	Gen. Aust. 300 St. St.			
		(11) Bottom - 035003-284-707	Polycarbonate			
		(29) Rear - 035003-283-707	Polycarbonate			
		(30) Cover Screws - 971266-020-110	Carbon Steel			
		(31) Screw Retainers - 971886-039-680	Buna-N			
		(32) Front - 035003-282-707	Polycarbonate			
		(48) H/W Thread Plug - 035000-287-707	Polycarbonate			
12		Grommet	Neoprene Rubber	1	035004-330-779	
						33
34		Lever	Various	1	035004-275-999	
35		Clevis	Gen. Aust. 300 St. St.	1	435105-100-250	
36		Capscrew	Carbon Steel	4	971004-017-110	
37		Lockwasher	Carbon Steel	4	971505-009-110	
38		Spring Barrel	B85 AA No. 380.0 Alum.	1	035106-004-609	
39		Spring	Carbon/Alloy	1	Range 3-15 psi	000044-076-130
					Range 7-15 psi	000044-065-130
40		Diaphragm	Buna-N w/Dacron	1	035106-040-716	
41		Capscrew	Carbon Steel	4	971159-008-109	
42		Diaphragm Case	B85 AA No. 380.0 Alum.	1	035106-014-609	
43		Piston Assembly	B85 Alum. w/A582 303 Shaft	1	035106-020-779	
44		Washer	304 St. St.	1	035003-350-153	
45		Locknut	Carbon Steel	1	971511-014-110	
46		Locknut	Carbon Steel	1	971511-014-110	
Handwheel Kit (+)		(50) H/W Tru-Arc Ring - 971881-116-053	AISI 1050 to 1095 Carbon St.	1	011471-141-999	
		(51) H/W Washer - 971502-040-110	Carbon Steel			
		(52) H/W Lock - 035000-310-609	B85 AA No. 380.0 Alum.			
		(53) Handwheel - 035000-290-779 (Includes H/W Shaft)	Alum. H/W with A582 416 Shaft			
		(54) Direction Plate - 041107-253-707	Polycarbonate			
		(55) Screws - 971287-003-250	Gen. Aust. 300 St. St.			
56		Serial Plate	304 St. St.	1	983750-001-250	
57		Plate Screw	Gen. Aust. 300 St. St.	4	971335-002-250	
88		Adjustable Indicator	302 St. St.	1	035006-420-151	
89		Indicator Screws	Gen. Aust. 300 St. St.	2	971287-003-250	

• Recommended Spare Part (+) Parts Required for Field Installation of Handwheel.

❖ Complete Actuator Sub Assembly includes reference numbers 35, and 38 through 46



# Parts List for 7" Spring Diaphragm Actuator For use with 6" - 8" 35002 Series Camflex II

PSI FF 5000 Rev. 7/99  
35002 Series, Camflex II  
Actuators

Include Serial Number When Ordering

Ref. NO.	Part	Remarks	Material	Qty	Part Number
A❖	Complete Actuator S/A	7 - 24 Range	Various	1	835006-004-999
5	Clevis Pin Clip		302 St. St.	2	435000-522-151
6	Indicator Dot		Vinyl	1	972602-008-779
7	Clevis Pin		17-4 PH	1	435006-340-215
8	Shaft Bearing		Various	1	435000-422-888
	Cover Kit	(9) Shaft - 035000-286-707	Polycarbonate	1	011818-062-999
		(10) Shaft Screw - 971246-015-250	Gen. Aust. 300 St. St.		
		(11) Bottom - 035006-284-707	Polycarbonate		
		(29) Rear - 035006-283-707	Polycarbonate		
		(30) Cover Screws - 971266-022-110	Carbon Steel		
		(31) Screw Retainers - 971886-039-680	Buna-N		
		(32) Front - 035006-282-707	Polycarbonate		
		(48) H/W Thread Plug - 035000-287-707	Polycarbonate		
	(58) Side - 035006-286-707	Polycarbonate			
12	Grommet		Neoprene Rubber	1	035006-330-779
33	Yoke		Cast Iron	1	035006-254-300
34	Lever	Includes Roller, Pin & Screw Set	Various	1	035006-275-999
35	Clevis		Gen. Aust. 300 St. St.	1	435106-100-250
36	Capscrew		Carbon Steel	4	971012-021-110
37	Lockwasher		Carbon Steel	4	971505-013-110
38	Spring Barrel		B85 AA No. 380.0 Alum.	1	035107-004-609
39	Spring	Range 7-24 psi	Carbon/Alloy	1	000045-036-130
40•	Diaphragm		Buna-N w/Dacron	1	035107-040-716
41	Capscrew		Carbon Steel	4	971166-005-109
42	Diaphragm Case		B85 AA No. 380.0 Alum.	1	035107-014-609
43	Piston Assembly		B85 Alum. w/A582 303 Shaft	1	035107-020-779
44	Washer		304 St. St.	1	035006-350-153
45	Locknut		Carbon Steel	1	971511-016-110
46	Locknut		Carbon Steel	1	971511-016-110
	Handwheel Kit (+)	(50) H/W Tru-Arc Ring - 971881-116-053	AISI 1050 to 1095 Carbon St.	1	011471-142-999
		(51) H/W Washer - 971502-040-110	Carbon Steel		
		(52) H/W Lock - 035006-310-609	B85 AA No. 380.0 Alum.		
		(53) Handwheel - 035006-290-779 (Includes H/W Shaft)	Alum. H/W with A582 416 Shaft		
		(54) Direction Plate - 041107-253-707	Polycarbonate		
		(55) Screws - 971287-003-250	Gen. Aust. 300 St. St.		
56	Serial Plate		304 St. St.	1	983750-001-250
57	Plate Screw		Gen. Aust. 300 St. St.	4	971335-002-250
88	Adjustable Indicator		302 St. St.	1	035006-420-151
89	Indicator Screws		Gen. Aust. 300 St. St.	2	971287-003-250

• Recommended Spare Part (+) Parts Required for Field Installation of Handwheel.

❖ Complete Actuator Sub Assembly includes reference numbers 35, and 38 through 46



# Parts List for 7" Spring Diaphragm Actuator For use with 10" 35002 Series Camflex II

PSI FF 5000 Rev. 7/99  
35002 Series, Camflex II  
Actuators

Include Serial Number When Ordering

Ref. NO.	Part	Remarks	Material	Qty	Part Number
A❖	Complete Actuator S/A	7 - 24 Range	Various	1	835006-004-999
5	Clevis Pin Clip		302 St. St.	2	435000-522-151
6	Indicator Dot		Vinyl	1	972602-008-779
7	Clevis Pin		17-4 PH	1	435006-340-215
8	Shaft Bearing		Various	1	435000-423-888
	Cover Kit	(9) Shaft - 035000-286-707	Polycarbonate	1	011818-062-999
		(10) Shaft Screw - 971246-015-250	Gen. Aust. 300 St. St.		
		(11) Bottom - 035006-284-707	Polycarbonate		
		(29) Rear - 035006-283-707	Polycarbonate		
		(30) Cover Screws - 971266-022-110	Carbon Steel		
		(31) Screw Retainers - 971886-039-680	Buna-N		
		(32) Front - 035006-282-707	Polycarbonate		
		(48) H/W Thread Plug - 035000-287-707	Polycarbonate		
	(58) Side - 035006-286-707	Polycarbonate			
12	Grommet		Neoprene Rubber	1	035010-330-779
33	Yoke		Cast Iron	1	035010-254-300
34	Lever	Includes Roller, Pin & Screw Set	Various	1	035010-275-999
35	Clevis		Gen. Aust. 300 St. St.	1	435106-100-250
36	Capscrew		Carbon Steel	4	971012-021-110
37	Lockwasher		Carbon Steel	4	971505-013-110
38	Spring Barrel		B85 AA No. 380.0 Alum.	1	035107-004-609
39	Spring	Range 7-24 psi	Carbon/Alloy	1	000045-036-130
40*	Diaphragm		Buna-N w/Dacron	1	035107-040-716
41	Capscrew		Carbon Steel	4	971166-005-109
42	Diaphragm Case		B85 AA No. 380.0 Alum.	1	035107-014-609
43	Piston Assembly		B85 Alum. w/A582 303 Shaft	1	035107-020-779
44	Washer		304 St. St.	1	035006-350-153
45	Locknut		Carbon Steel	1	971511-016-110
46	Locknut		Carbon Steel	1	971511-016-110
	Handwheel Kit (+)	(50) H/W Tru-Arc Ring - 971881-116-053	AISI 1050 to 1095 Carbon St.	1	011471-142-999
		(51) H/W Washer - 971502-040-110	Carbon Steel		
		(52) H/W Lock - 035000-310-609	B85 AA No. 380.0 Alum.		
		(53) Handwheel - 035000-290-779 (Includes H/W Shaft)	Alum. H/W with A582 416 Shaft		
		(54) Direction Plate - 041107-253-707	Polycarbonate		
		(55) Screws - 971287-003-250	Gen. Aust. 300 St. St.		
56	Serial Plate		304 St. St.	1	983750-001-250
57	Plate Screw		Gen. Aust. 300 St. St.	4	971335-002-250
88	Adjustable Indicator		302 St. St.	1	035006-420-151
89	Indicator Screws		Gen. Aust. 300 St. St.	2	971287-003-250

• Recommended Spare Part (+) Parts Required for Field Installation of Handwheel.

❖ Complete Actuator Sub Assembly includes reference numbers 35, and 38 through 46



# Parts List for 7" Spring Diaphragm Actuator For use with 12" 35002 Series Camflex II

PSI FF 5000 Rev. 7/99  
35002 Series, Camflex II  
Actuators

Include Serial Number When Ordering

Ref. NO.	Part	Remarks	Material	Qty	Part Number
A❖	Complete Actuator S/A	7 - 24 Range	Various	1	835006-004-999
5	Clevis Pin Clip		302 St. St.	2	435000-522-151
6	Indicator Dot		Vinyl	1	972602-008-779
7	Clevis Pin		17-4 PH	1	435006-340-215
8	Shaft Bearing		Various	1	435000-423-888
	Cover Kit	(9) Shaft - 035000-286-707	Polycarbonate	1	011818-062-999
		(10) Shaft Screw - 971246-015-250	Gen. Aust. 300 St. St.		
		(11) Bottom - 035006-284-707	Polycarbonate		
		(29) Rear - 035006-283-707	Polycarbonate		
		(30) Cover Screws - 971266-022-110	Carbon Steel		
		(31) Screw Retainers - 971886-039-680	Buna-N		
		(32) Front - 035006-282-707	Polycarbonate		
		(48) H/W Thread Plug - 035000-287-707	Polycarbonate		
	(58) Side - 035006-286-707	Polycarbonate			
12	Grommet		Neoprene Rubber	1	035012-330-779
33	Yoke		Cast Iron	1	035010-254-300
34	Lever	Includes Roller, Pin & Screw Set	Various	1	035012-275-999
35	Clevis		Gen. Aust. 300 St. St.	1	435106-100-250
36	Capscrew		Carbon Steel	4	971012-021-110
37	Lockwasher		Carbon Steel	4	971505-013-110
38	Spring Barrel		B85 AA No. 380.0 Alum.	1	035107-004-609
39	Spring	Range 7-24 psi	Carbon/Alloy	1	000045-036-130
40*	Diaphragm		Buna-N w/Dacron	1	035107-040-716
41	Capscrew		Carbon Steel	4	971166-005-109
42	Diaphragm Case		B85 AA No. 380.0 Alum.	1	035107-014-609
43	Piston Assembly		B85 Alum. w/A582 303 Shaft	1	035107-020-779
44	Washer		304 St. St.	1	035006-350-153
45	Locknut		Carbon Steel	1	971511-016-110
46	Locknut		Carbon Steel	1	971511-016-110
	Handwheel Kit (+)	(50) H/W Tru-Arc Ring - 971881-116-053	AISI 1050 to 1095 Carbon St.	1	011471-142-999
		(51) H/W Washer - 971502-040-110	Carbon Steel		
		(52) H/W Lock - 035000-310-609	B85 AA No. 380.0 Alum.		
		(53) Handwheel - 035000-290-779 (Includes H/W Shaft)	Alum. H/W with A582 416 Shaft		
		(54) Direction Plate - 041107-253-707	Polycarbonate		
		(55) Screws - 971287-003-250	Gen. Aust. 300 St. St.		
56	Serial Plate		304 St. St.	1	983750-001-250
57	Plate Screw		Gen. Aust. 300 St. St.	4	971335-002-250
88	Adjustable Indicator		302 St. St.	1	035006-420-151
89	Indicator Screws		Gen. Aust. 300 St. St.	2	971287-003-250

• Recommended Spare Part (+) Parts Required for Field Installation of Handwheel.

❖ Complete Actuator Sub Assembly includes reference numbers 35, and 38 through 46





**Parts List for Manual Actuator**  
**For use with 1" - 2"**  
**35002 Series Camflex II**

Include Serial Number When Ordering

Ref. NO.	Part	Remarks	Material	Qty	Part Number
6A	Indicator Strip		Vinyl	1	035135-030-779
8	Shaft Bearing		Various	1	971701-030-888
Cover Kit	(9) Shaft - 035000-286-707		Polycarbonate	1	011818-060-999
	(10) Shaft Screw - 971246-015-250		Gen. Aust. 300 St. St.		
	(11) Bottom - 035006-284-707		Polycarbonate		
	(29) Rear - 035006-283-707		Polycarbonate		
	(30) Cover Screws - 971266-022-110		Carbon Steel		
	(31) Screw Retainers - 971886-039-680		Buna-N		
	(32) Front - 035006-282-707		Polycarbonate		
	(48) H/W Thread Plug - 035000-287-707		Polycarbonate		
(58) Side - <b>Not used</b>		Polycarbonate			
12•	Grommet		Neoprene Rubber	1	035000-330-779
33	Yoke		Cast Iron	1	035000-254-300
53	Handwheel		Aluminum	1	041103-220-609
54	Direction Plate		Polycarbonate	1	041107-253-707
56	Serial Plate		304 St. St.	1	983750-001-250
57	Plate Screw		300 Series St. St.	2	971335-002-250
72	Handwheel Detent Gear		Nylatron GS	2	972601-001-779
73	Wave Washer		17-4 PH St. St.	2	971510-005-779
74	Powerscrew Pin		17-4 PH St. St.	1	041103-103-215
75	Pan Head Screw		316 St. St.	1	971293-006-163
76	Locknut		Carbon Steel	1	971528-003-110
77	Travel Stop		AISI 1010 to 1025 Carbon Steel	1	035134-065-002
78+	Locknut		AISI 1010 to 1025 Carbon Steel	1	035134-075-002
79	Lever	(Includes Crosshead S/A)	Various	1	035134-006-999
80	Handwheel Bearing		Various	2	971700-049-888
81	Washer		410 Brass	2	971700-050-888
82	Retainer (Rear)		AISI 1010 to 1025 Carbon Steel	1	035134-045-002
83	Lockwasher		Carbon Steel	4	971505-009-110
84	Capscrew		Carbon Steel	4	971004-017-110
85	Cross Head		USS Mach 5 Steel	1	035134-025-117
86	Power Screw		USS Mach 5 Steel	1	035134-055-117
87	Retainer (Front)		AISI 1010 to 1025 Carbon Steel	1	035134-046-002

• Recommended Spare Part

+ Placement of Locknut Differs for Valve Sizes 3" - 12"



**Parts List for Manual Actuator**  
**For use with 3" - 4"**  
**35002 Series Camflex II**

Include Serial Number When Ordering

Ref. NO.	Part	Remarks	Material	Qty	Part Number
6A	Indicator Strip		Vinyl	1	035134-030-779
8	Shaft Bearing	3" - 4"	Various	1	435000-421-888
Cover Kit	(9) Shaft - 035000-286-707		Polycarbonate	1	011818-060-999
	(10) Shaft Screw - 971246-015-250		Gen. Aust. 300 St. St.		
	(11) Bottom - 035006-284-707		Polycarbonate		
	(29) Rear - 035006-283-707		Polycarbonate		
	(30) Cover Screws - 971266-022-110		Carbon Steel		
	(31) Screw Retainers - 971886-039-680		Buna-N		
	(32) Front - 035006-282-707		Polycarbonate		
	(48) H/W Thread Plug - 035000-287-707		Polycarbonate		
(58) Side -Not Used		Polycarbonate			
12•	Grommet	3"	Neoprene Rubber	1	035003-330-779
		4"			035004-330-779
33	Yoke		Cast Iron	1	035003-254-300
53	Handwheel		Aluminum	1	041107-220-609
54	Direction Plate		Polycarbonate	1	041107-253-707
56	Serial Plate		304 St. St.	1	983750-001-250
57	Plate Screw		300 Series St. St.	2	971335-002-250
72	Handwheel Detent Gear		Nylatron GS	2	972601-001-779
73	Wave Washer		17-4 PH St. St.	2	971510-005-779
74	Powerscrew Pin		17-4 PH St. St.	1	041107-103-215
75	Pan Head Screw		316 St. St.	1	971293-006-163
76	Locknut		Carbon Steel	1	971528-004-110
77	Travel Stop		AISI 1010 to 1025 Carbon Steel	1	035134-065-002
78+	Locknut		AISI 1010 to 1025 Carbon Steel	1	035134-075-002
79	Lever (Includes Crosshead S/A)	3"	Various	1	035136-005-999
		4"			035136-006-999
80	Handwheel Bearing		Various	2	971700-044-888
81	Washer		410 Brass	2	971700-046-888
82	Retainer (Rear)		AISI 1010 to 1025 Carbon Steel	1	035136-045-002
83	Lockwasher		Carbon Steel	4	971505-009-110
84	Capscrew		Carbon Steel	4	971004-019-110
85	Cross Head		USS Mach 5 Steel	1	035136-025-117
86	Power Screw		USS Mach 5 Steel	1	035136-055-117
87	Retainer (Front)		AISI 1010 to 1025 Carbon Steel	1	035136-046-002

• Recommended Spare Part

+ Placement of Locknut Differs for Valve Sizes 3" - 12"



**Parts List for Manual Actuator**  
**For use with 6" - 12"**  
**35002 Series Camflex II**

PSI FF 5000 Rev. 7/99  
**35002 Series, Camflex II**  
 Actuators

Include Serial Number When Ordering

Ref. NO.	Part	Remarks	Material	Qty	Part Number
6A	Indicator Strip		Vinyl	1	035134-030-779
8	Shaft Bearing	6" - 8"	Various	1	435000-422-888
		10" - 12"			435000-423-888
Cover Kit		(9) Shaft - 035000-286-707	Polycarbonate	1	011818-060-999
		(10) Shaft Screw - 971246-015-250	Gen. Aust. 300 St. St.		
		(11) Bottom - 035006-284-707	Polycarbonate		
		(29) Rear - 035006-283-707	Polycarbonate		
		(30) Cover Screws - 971266-022-110	Carbon Steel		
		(31) Screw Retainers - 971886-039-680	Buna-N		
		(32) Front - 035006-282-707	Polycarbonate		
		(48) H/W Thread Plug - 035000-287-707	Polycarbonate		
		(58) Side -Not Used	Polycarbonate		
12•	Grommet	6" - 8"	Neoprene Rubber	1	035006-330-779
		10"			035010-330-779
		12"			035012-330-779
33	Yoke		Cast Iron	1	035006-254-300
53	Handwheel		Aluminum	1	041114-221-609
54	Direction Plate		Polycarbonate	1	041107-253-707
56	Serial Plate		304 St. St.	1	983750-001-250
57	Plate Screw		300 Series St. St.	2	971335-002-250
72	Handwheel Detent Gear		Nylatron GS	2	972601-001-779
73	Wave Washer		17-4 PH St. St.	2	971510-005-779
74	Powerscrew Pin		17-4 PH St. St.	1	041107-103-215
75	Pan Head Screw		316 St. St.	1	971293-006-163
76	Locknut		Carbon Steel	1	971528-005-110
77	Travel Stop		AISI 1010 to 1025 Carbon Steel	1	035134-065-002
78+	Locknut		AISI 1010 to 1025 Carbon Steel	1	035134-075-002
79	Lever (Includes Crosshead S/A)	6" - 8"	Various	1	035137-006-999
		10"			035137-007-999
		12"			035137-008-999
80	Handwheel Bearing		Various	2	971700-045-888
81	Washer		410 Brass	2	971700-047-888
82	Retainer (Rear)		AISI 1010 to 1025 Carbon Steel	1	035137-045-002
83	Lockwasher		Carbon Steel	4	xxxxxx
84	Capscrew		Carbon Steel	4	971012-022-110
85	Cross Head		USS Mach 5 Steel	1	035137-025-117
86	Power Screw		USS Mach 5 Steel	1	035137-055-117
87	Retainer (Front)		AISI 1010 to 1025 Carbon Steel	1	035137-046-002

• Recommended Spare Part

+ Placement of Locknut Differs for Valve Sizes 3" - 12"



**Parts List for 10" Double - Acting Cylinder Actuator**  
**For use with 6" - 12" Valves**  
**35002 Series Camflex II**

PSI FF 5000 Rev. 7/99  
**35002 Series, Camflex II**  
 Actuators

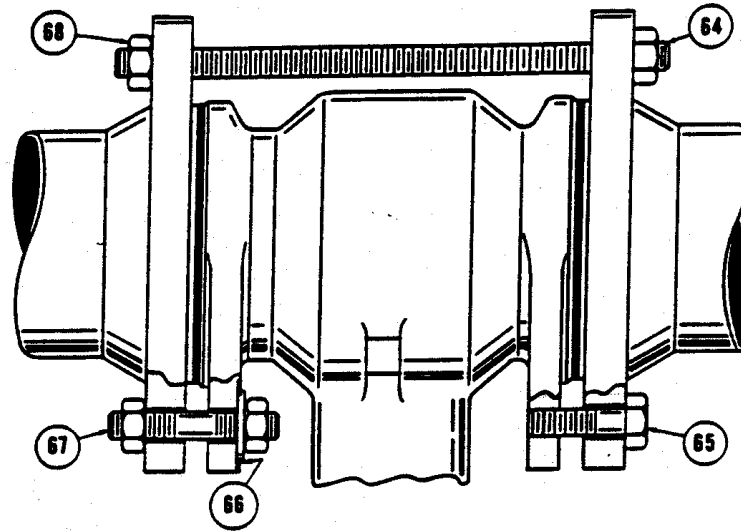
Include Serial Number When Ordering

Ref. NO.	Part	Remarks	Material	Qty	Part Number
5	Clevis Pin Clip		302 St. St.	2	435000-522-151
6❖	Indicator Dot		Vinyl	1	972602-008-779
7	Clevis Pin		17-4 PH St. St.	1	035200-030-215
8❖	Shaft Bearing	6"-8" Valves	Various	1	435000-422-888
		10" - 12"			435000-423-888
Cover Kit❖		(9) Shaft - <b>Not Used</b>	Polycarbonate	1	011818-062-999
		(10) Shaft Screw - 971246-015-250	Gen. Aust. 300 St. St.		
		(11) Bottom - 035006-284-707	Polycarbonate		
		(29) Rear - 035006-283-707	Polycarbonate		
		(30) Cover Screws - 971266-022-110	Carbon Steel		
		(31) Screw Retainers - 971886-039-680	Buna-N		
		(32) Front - 035006-282-707	Polycarbonate		
		(48) H/W Thread Plug - 035000-287-707	Polycarbonate		
(58) Side - 035006-286-707	Polycarbonate				
12❖❖	Grommet	6" - 8" Valves	Neoprene Rubber	1	035006-330-779
		10"			035010-330-779
		12"			035012-330-779
33❖	Yoke	6" - 8" Valves	Cast Iron	1	035006-254-300
		10"- 12"			035010-254-300
34❖	Lever (Includes Roller, Pin & Set Screw)	6" Valves	Various	1	035006-275-999
		8"			035008-275-999
		10"			035010-275-999
		12"			035012-275-999
35	Clevis Pin		416 St. St.		035200-020-208
36	Capscrew		Carbon Steel	4	971012-021-110
36A	Capscrew		Carbon Steel	4	971014-032-110
37	Lockwasher		Carbon Steel	4	971505-013-110
37A	Lockwasher		Carbon Steel	4	971505-015-110
38A	Intermediate Bracket		Cast Iron	1	035200-004-300
46	Locknut		Carbon Steel	1	971514-006-110
50❖	Handwheel Tru-Arc Ring		AISI 1050 to 1095 Carbon Steel	1	971881-116-053
51❖	Handwheel Washer		Carbon Steel	1	971502-040-110
52❖	Handwheel Lock		B85AA No. 380.0 Alum.	1	035006-310-609
53❖	Handwheel		B85 Alum. W/A582 303 Shaft	1	035006-290-779
54❖	Direction Plate		Polycarbonate	1	041107-253-707
55❖	Screw		Gen. Aust. 300 St. St.	2	971287-003-250
56❖	Serial Plate		304 St. St.	1	983750-001-250
57❖	Plate Screw		Gen. Aust. 300 St. St.	4	971335-002-250
59	Capscrew		Carbon Steel	4	971002-032-110
62	Bracket		Carbon Steel	1	008648-197-105
63	Capscrew		Carbon Steel	4	971002-005-110
69	Rod End Bearing		Various	1	971705-022-888
70	Shaft Adapter		303 St. St.	1	035200-040-152
71	Cylinder			1	971845-016-888
Cylinder Repair Kit					
• Piston Seal Kit		Parker Hannifin		1	971845-021-888
		Hydro-Line			971845-019-888
		Lynair			971845-025-888
		Ortman			971845-042-888
• Rod Seal Kit		Parker Hannifin		1	971845-022-888
		Hydro-Line			971845-020-888
		Lynair			971845-026-888
		Ortman			971845-041-888

• Recommended Spare Part

❖ Common Part - See Graphic for Reference (page 38)





Include Serial Number When Ordering

Remarks	Materials	Qty	Part Number								
			1"	1-1/2"	2"	3"	4"	6"	8"	10"	12"
ANSI Class 150 Flanges	A193 Chrome-Moly A194 Carbon St.	1	435000-650-999	435000-650-999	435002-650-999	435003-650-999	435004-650-999	435006-650-999	435008-650-999	435010-654-999	435012-656-999
ANSI Class 300 Flanges	A193 Chrome-Moly A194 Carbon St.	1	435000-651-999	435001-650-999	435002-651-999	435003-651-999	435004-651-999	435006-651-999	435008-651-999	435010-655-999	435012-653-999
ANSI Class 400 Flanges	A193 Chrome-Moly A194 Carbon St.	1	435000-651-999	435001-650-999	435002-651-999	435003-651-999	435004-652-999	435006-652-999	435008-652-999	435010-656-999	435012-654-999
ANSI Class 600 Flanges	A193 Chrome-Moly A194 Carbon St.	1	435000-651-999	435001-650-999	435002-651-999	435003-651-999	435004-652-999	435006-653-999	435008-653-999	435010-657-999	435012-655-999
<b>ANSI Class 150 Flanges</b>											
Corrosive Atmosphere or Cryogenic Service	A193 304 St. St. A194 304 St. St.	1	435000-660-999	435000-660-999	435002-660-999	435003-660-999	435004-660-999	435006-660-999	435008-660-999	435010-664-999	435012-666-999
<b>ANSI Class 300 Flanges</b>											
Corrosive Atmosphere or Cryogenic Service	A193 304 St. St. A194 304 St. St.	1	435000-661-999	435001-660-999	435002-661-999	435003-661-999	435004-661-999	435006-661-999	435008-661-999	435010-665-999	435012-663-999
<b>ANSI Class 400 Flanges</b>											
Corrosive Atmosphere or Cryogenic Service	A193 304 St. St. A194 304 St. St.	1	435000-661-999	435001-660-999	435002-661-999	435003-661-999	435004-662-999	435006-662-999	435008-662-999	435010-666-999	435012-664-999
<b>ANSI Class 600 Flanges</b>											
Corrosive Atmosphere or Cryogenic Service	A193 304 St. St. A194 304 St. St.	1	435000-661-999	435001-660-999	435002-661-999	435003-661-999	435004-662-999	435006-663-999	435008-663-999	435010-667-999	435012-665-999



# Ceramic Trim Options 35002 Series Camflex II

PSI FF 5000 Rev. 7/99  
35002 Series, Camflex II  
Options

Include Serial Number When Ordering

Ref. No.	Part	Size	Remarks	Material	Qty	Part Number
4	Plug	1"		Solid Zirconia Ceramic	1	011471-847-779
		1-1/2"				011471-945-779
		2"				011471-976-779
		3"		316 St.St. w/ Zirconia Ceramic cap		011471-984-779
		4"				011471-721-779
		6"				011471-727-779
		8"	Full Area .6 (Reduced Area)			011471-735-779
3	Retainer	1"	Flanged Flangeless	316 St.St.	1	011471-740-779
		1-1/2"				011491-031-163
		2"				011471-848-163
		3"	Flanged Flangeless			011471-947-163
		4"				011471-978-163
		6"				011491-037-163
		8"				011471-987-163
19	Shaft	1"		316 St.St.	1	011471-854-163
				17-4 PH		011471-854-215
		1-1/2"		316 St.St.		011471-948-163
				17-4 PH		011471-948-215
		2"		316 St.St.		011471-993-163
			17-4 PH	011471-993-215		
2	Seat Ring	1"	Flangeless (Full Area) Cv = 14	Solid Zirconia Ceramic	1	011471-849-779
			.6 Factor Cv = 8.4			011471-850-779
			.4 Factor Cv = 5.6			011471-851-779
			.2 Factor Cv = 2.8			011471-852-779
			Flanged (Full Area) Cv = 14			011491-027-779
			.6 Factor Cv = 8.4			011491-028-779
		1-1/2"	.4 Factor Cv = 5.6			011491-029-779
			.2 Factor Cv = 2.8			011491-030-779
			Full Area Cv = 30			011471-946-779
			.6 Factor Cv = 18			011471-949-779
			.4 Factor Cv = 12			011471-950-779
			.2 Factor Cv = 6			011471-974-779
		2"	Full Area Cv = 50			011471-977-779
			.4 Factor Cv = 20			011471-064-779
		3"	Full Area Cv = 135			011471-986-779
			.6 Factor Cv = 81			011491-056-779
		4"	Full Area Cv = 230			011491-071-779
			.6 Factor Cv = 138			011491-072-779
		6"	.4 Factor Cv = 92			011491-073-779
			Full Area Cv = 500			011491-040-779
		8"	.6 Factor Cv = 300			011491-041-779
			.4 Factor Cv = 200			011491-042-779
			Full Area Cv = 850			011471-736-779
			.6 Factor Cv = 510			011471-741-779



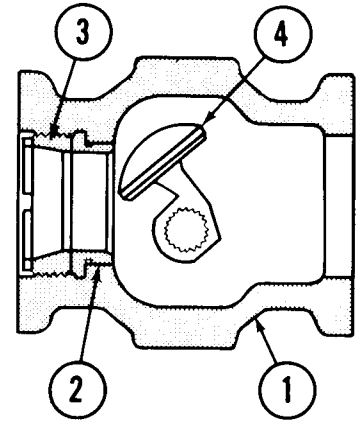
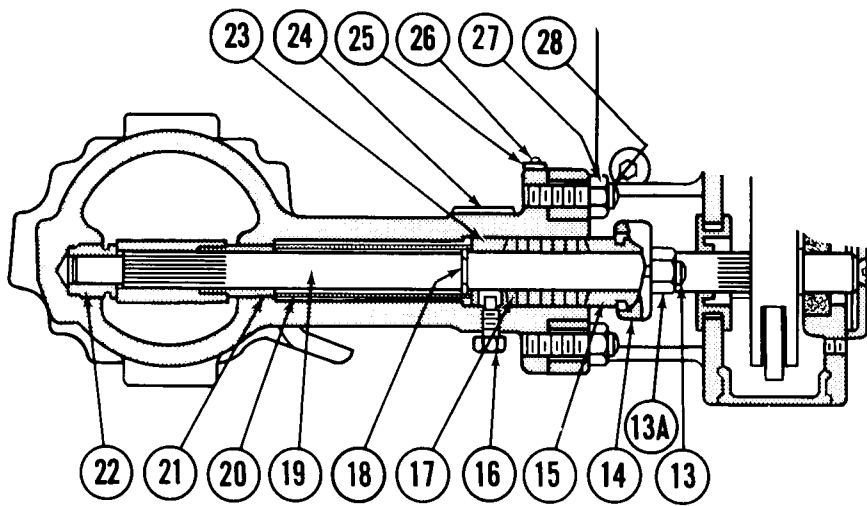
# Soft Goods Repair Kit 35002 Series Camflex II

PSI FF 5000 Rev 7/99  
35002 Series, Camflex II  
Options

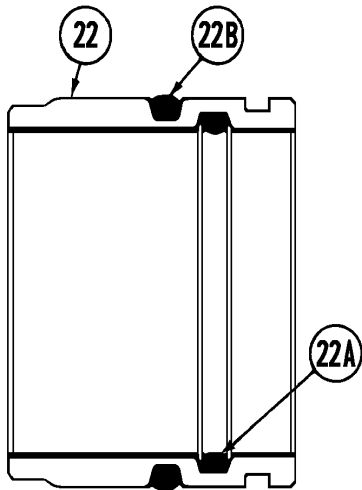
Include Serial Number When Ordering

Ref. NO.	Valve Size	Description	Material	Qty	Part Number
Soft Goods Kit	1" - 2"	Packing Kit - 011488-500-999	Crane 285K	1	011487-344-999
		Grommet - 035000-330-779	Neoprene Rubber		
		Shaft Bearing - 971701-030-888	Various		
		Retainer Ring - 971881-054-181	PH 15-7 Mo		
		O - Ring - 971886-004-697	Viton		
		O - Ring - 971886-121-697	Viton		
	3"	Packing Kit - 011487-501-999	Crane 285K	1	011487-345-999
		Grommet - 035003-330-779	Neoprene Rubber		
		Shaft Bearing - 435000-412-888	Various		
		Retainer Ring - 971881-052-181	PH 15-7 Mo		
		O - Ring - 971886-010-697	Viton		
		O - Ring - 971886-006-697	Viton		
	4"	Packing Kit - 011488-502-999	Crane 285K	1	011487-346-999
		Grommet - 035004-330-779	Neoprene Rubber		
		Shaft Bearing - 435000-421-888	Various		
		Retainer Ring - 971881-055-181	PH 15-7 Mo		
		O - Ring - 971886-011-697	Viton		
		O - Ring - 971886-018-697	Viton		
	6" - 8"	Packing Kit - 011488-503-999	Crane 285K	1	011487-347-999
		Grommet - 035006-330-779	Neoprene Rubber		
		Shaft Bearing - 435000-422-888	Various		
		Retainer Ring - 971881-056-181	PH 15-7 Mo		
		O - Ring - 971886-018-697	Viton		
		O - Ring - 971886-023-697	Viton		
	10"	Packing Kit - 011488-504-999	Crane 285K	1	011487-348-999
		Grommet - 035010-330-770	Neoprene Rubber		
		Shaft Bearing - 435000-423-888	Various		
		Retainer Ring - 971881-057-181	PH 15-7 Mo		
		O - Ring - 971886-017-697	Viton		
		O - Ring - 971886-337-697	Viton		
12"	Packing Kit - 011488-505-999	Crane 285K	1	011487-349-999	
	Grommet - 035012-330-779	Neoprene Rubber			
	Shaft Bearing - 435000-423-888	Various			
	Retainer Ring - 971881-058-181	PH 15-7 Mo			
	O - Ring - 971886-103-697	Viton			
	O - Ring - 971886-338-697	Viton			

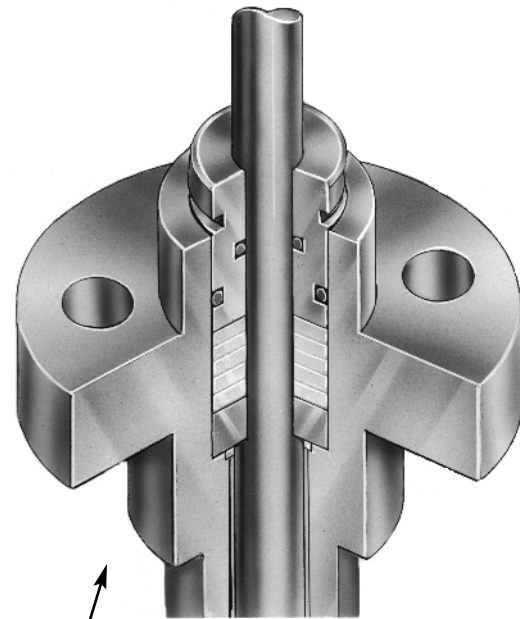




**Body S/A**



**Slurry Service Seal Bushing**



**EF Seal  
(Emission Free)**

