

# Product data sheet

Specifications



## discrete output module, Modicon X80, 64 transistor outputs, 24V DC positive

BMXDDO6402K

### Main

Range of product	Modicon X80
Product or component type	Discrete output module
Discrete output number	64 conforming to EN/IEC 61131-2
Discrete output type	Solid state
Discrete output logic	Positive
Discrete output voltage	24 V 19...30 V DC
Discrete output current	0.1 A

### Complementary

Current per channel	0.125 A
Maximum current per module	6.4 A
Insulation resistance	> 10 MOhm 500 V DC
Power dissipation in W	6.85 W
Response time on output	1.2 ms
Paralleling of outputs	Yes : 3 maximum
Typical current consumption	160 mA at 3.3 V DC
MTBF reliability	150000 H
Protection type	External fuse reverse polarity protection short-circuit protection overload protection overvoltage protection
Output overload protection	With current limiter With electronic circuit breaker $0.125\text{ A} < I_d < 0.185\text{ A}$
Output overvoltage protection	With transil diode
Output short-circuit protection	With 2 A external fuse
Reverse polarity protection	Reverse mounted diode
Voltage detection threshold	< 14 V DC preactuator fault > 18 V DC preactuator at state 0
Maximum tungsten load	1.2 W
Switching frequency	0.5/LI <sup>2</sup> Hz
Maximum overload time	15 ms
Load impedance ohmic	$\geq 220\text{ Ohm}$

<b>Status LED</b>	1 LED (green) +32 channels indicator 1 LED (green) module operating (RUN) 1 LED per channel (green) channel diagnostic 1 LED (red) module error (ERR) 1 LED (red) module I/O
-------------------	--

<b>Net weight</b>	0.15 kg
-------------------	---------

## Environment

<b>IP degree of protection</b>	IP20
--------------------------------	------

<b>Directives</b>	2014/35/EU - low voltage directive 2014/30/EU - electromagnetic compatibility
-------------------	--

<b>Dielectric strength</b>	1500 V AC at 50/60 Hz 1 minute, output/ground 1500 V AC at 50/60 Hz 1 minute, output/internal logic 500 V DC 1 minute, between group of channels
----------------------------	--

<b>Vibration resistance</b>	3 gn
-----------------------------	------

<b>Shock resistance</b>	30 gn
-------------------------	-------

<b>Ambient air temperature for storage</b>	-40...85 °C
--	-------------

<b>Ambient air temperature for operation</b>	0...60 °C
--	-----------

<b>Relative humidity</b>	5...95 % at 55 °C without condensation
--------------------------	--

<b>Operating altitude</b>	0...2000 m 2000...5000 m with derating factor
---------------------------	--

## Packing Units

<b>Unit Type of Package 1</b>	PCE
-------------------------------	-----

<b>Number of Units in Package 1</b>	1
-------------------------------------	---

<b>Package 1 Height</b>	5.45 cm
-------------------------	---------

<b>Package 1 Width</b>	10.793 cm
------------------------	-----------

<b>Package 1 Length</b>	11.288 cm
-------------------------	-----------

<b>Package 1 Weight</b>	201.0 g
-------------------------	---------

<b>Unit Type of Package 2</b>	S02
-------------------------------	-----

<b>Number of Units in Package 2</b>	15
-------------------------------------	----

<b>Package 2 Height</b>	15 cm
-------------------------	-------

<b>Package 2 Width</b>	30 cm
------------------------	-------

<b>Package 2 Length</b>	40 cm
-------------------------	-------

<b>Package 2 Weight</b>	3.5 kg
-------------------------	--------

<b>Unit Type of Package 3</b>	P06
-------------------------------	-----

<b>Number of Units in Package 3</b>	240
-------------------------------------	-----

<b>Package 3 Height</b>	75.0 cm
-------------------------	---------

<b>Package 3 Width</b>	60.0 cm
------------------------	---------

<b>Package 3 Length</b>	80.0 cm
-------------------------	---------

<b>Package 3 Weight</b>	67 kg
-------------------------	-------

## Offer Sustainability

<b>Sustainable offer status</b>	Green Premium product
---------------------------------	-----------------------

<b>REACH Regulation</b>	<a href="#">REACH Declaration</a>
-------------------------	-----------------------------------

<b>EU RoHS Directive</b>	Pro-active compliance (Product out of EU RoHS legal scope) <a href="#">EU RoHS Declaration</a>
--------------------------	---

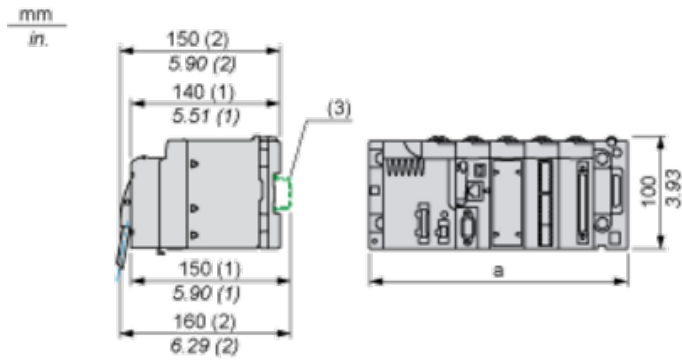
<b>Mercury free</b>	Yes
<b>China RoHS Regulation</b>	<a href="#">China RoHS declaration</a>
<b>RoHS exemption information</b>	Yes
<b>Circularity Profile</b>	<a href="#">End of Life Information</a>
<b>WEEE</b>	The product must be disposed on European Union markets following specific waste collection and never end up in rubbish bins
<b>California proposition 65</b>	WARNING: This product can expose you to chemicals including: Lead and lead compounds, which is known to the State of California to cause cancer and birth defects or other reproductive harm. For more information go to <a href="http://www.P65Warnings.ca.gov">www.P65Warnings.ca.gov</a>

## Contractual warranty

<b>Warranty</b>	18 months
-----------------	-----------

**Modules Mounted on Racks**

**Dimensions**



(1) With removable terminal block (cage, screw or spring).

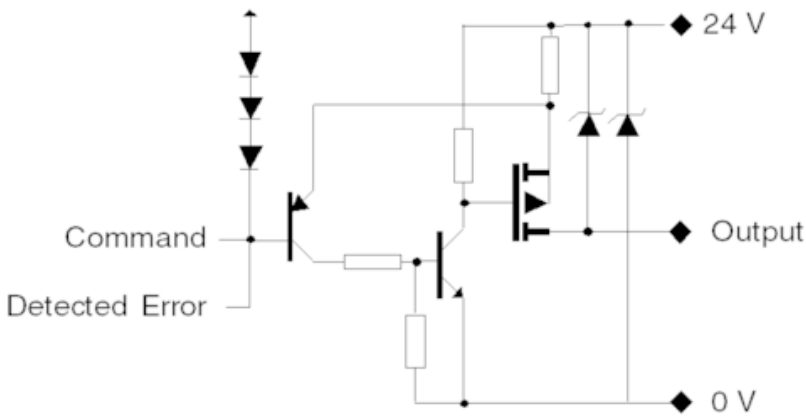
(2) With FCN connector.

(3) On AM1 ED rail: 35 mm wide, 15 mm deep. Only possible with BMXXBP0400/0400H/0600/0600H/0800/0800H rack.

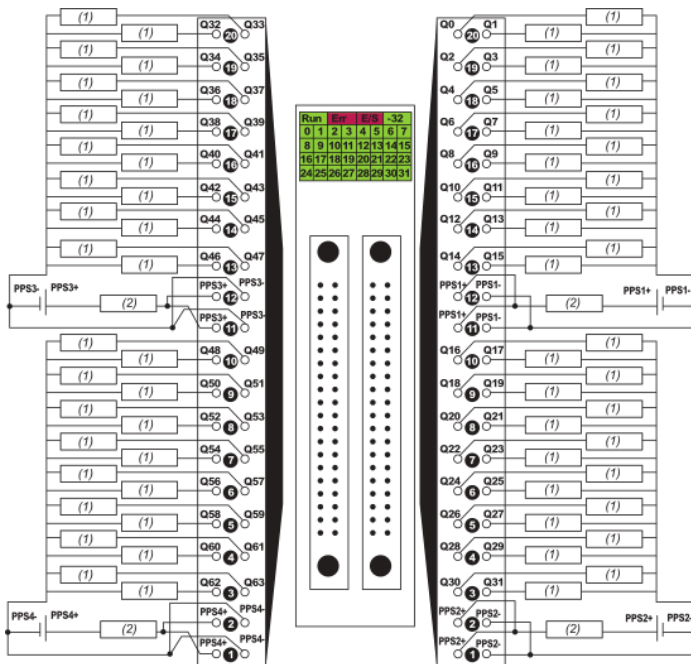
Rack references	a in mm	a in in.
BMXXBP0400 and BMXXBP0400H	242.4	09.54
BMXXBP0600 and BMXXBP0600H	307.6	12.11
BMXXBP0800 and BMXXBP0800H	372.8	14.68
BMXXBP1200 and BMXXBP1200H	503.2	19.81

Connecting the Module

Output Circuit Diagram



Module Connection



- (1) pre-actuator
  - (2) fuse: fast blow fuse of 2 A for each 16-channel group
- power supply 24 VDC  
PPS pre-actuator power supply

Recommended replacement(s)