

# Product data sheet

Specifications



## discrete input module X80 - 64 inputs - 24 V DC positive

BMXDDI6402K

### Main

Range of product	Modicon X80
Product or component type	Discrete input module
Discrete input number	64
Discrete input type	Isolated
Input type	Current sink (logic positive)
Discrete input voltage	24 V DC, discrete input logic: positive
Discrete input current	0.6 mA

### Complementary

Sensor power supply	19...30 V
Input impedance	40000 Ohm
Insulation resistance	> 10 MOhm 500 V DC
Power dissipation in W	4.3 W
DC typical response time	4 ms
DC maximum response time	7 ms
Paralleling of inputs	No
Typical current consumption	160 mA at 3.3 V DC
MTBF reliability	342216 H
Protection type	1 external fuse per group of channel 0.5 A fast blow without reverse polarity protection
Voltage detection threshold	< 14 V DC sensor fault > 18 V DC sensor OK
Status LED	1 LED (green) +32 channels indicator 1 LED (green) module operating (RUN) 1 LED per channel (green) channel diagnostic 1 LED (red) module error (ERR) 1 LED (red) module I/O
Net weight	0.145 kg

### Environment

IP degree of protection	IP20
Directives	2014/35/EU - low voltage directive 2014/30/EU - electromagnetic compatibility

<b>Dielectric strength</b>	1500 V AC at 50/60 Hz 1 minute, primary/secondary 500 V DC 1 minute, between group of channels
<b>Vibration resistance</b>	3 gn
<b>Shock resistance</b>	30 gn
<b>Ambient air temperature for storage</b>	-40...85 °C
<b>Ambient air temperature for operation</b>	0...60 °C
<b>Relative humidity</b>	5...95 % at 55 °C without condensation
<b>Operating altitude</b>	0...2000 m 2000...5000 m with derating factor

## Packing Units

<b>Unit Type of Package 1</b>	PCE
<b>Number of Units in Package 1</b>	1
<b>Package 1 Height</b>	5.481 cm
<b>Package 1 Width</b>	11.199 cm
<b>Package 1 Length</b>	11.666 cm
<b>Package 1 Weight</b>	190.0 g
<b>Unit Type of Package 2</b>	S02
<b>Number of Units in Package 2</b>	15
<b>Package 2 Height</b>	15.0 cm
<b>Package 2 Width</b>	30.0 cm
<b>Package 2 Length</b>	40.0 cm
<b>Package 2 Weight</b>	3.481 kg

## Offer Sustainability

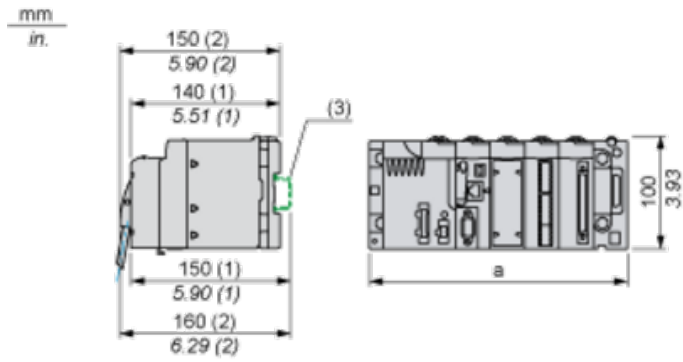
<b>Sustainable offer status</b>	Green Premium product
<b>REACH Regulation</b>	<a href="#">REACH Declaration</a>
<b>REACH free of SVHC</b>	Yes
<b>EU RoHS Directive</b>	Pro-active compliance (Product out of EU RoHS legal scope) <a href="#">EU RoHS Declaration</a>
<b>Mercury free</b>	Yes
<b>China RoHS Regulation</b>	<a href="#">China RoHS declaration</a>
<b>RoHS exemption information</b>	<a href="#">Yes</a>
<b>Environmental Disclosure</b>	<a href="#">Product Environmental Profile</a>
<b>Circularity Profile</b>	<a href="#">End of Life Information</a>
<b>WEEE</b>	The product must be disposed on European Union markets following specific waste collection and never end up in rubbish bins
<b>California proposition 65</b>	WARNING: This product can expose you to chemicals including: Lead and lead compounds, which is known to the State of California to cause cancer and birth defects or other reproductive harm. For more information go to <a href="http://www.P65Warnings.ca.gov">www.P65Warnings.ca.gov</a>

## Contractual warranty

<b>Warranty</b>	18 months
-----------------	-----------

**Modules Mounted on Racks**

**Dimensions**



(1) With removable terminal block (cage, screw or spring).

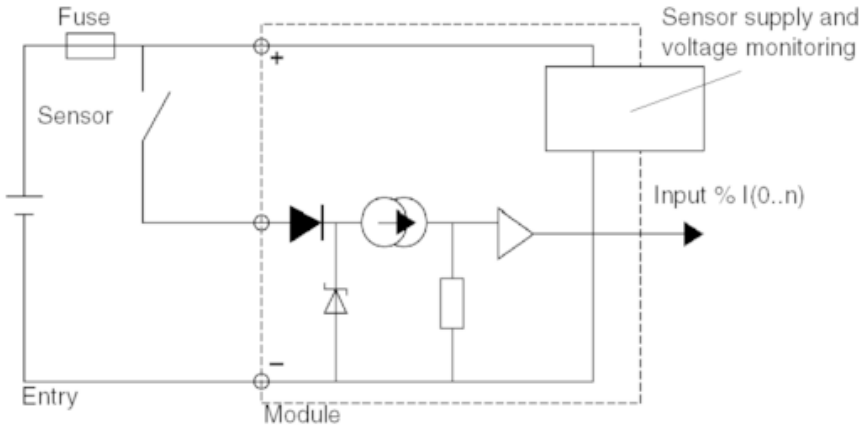
(2) With FCN connector.

(3) On AM1 ED rail: 35 mm wide, 15 mm deep. Only possible with BMXXBP0400/0400H/0600/0600H/0800/0800H rack.

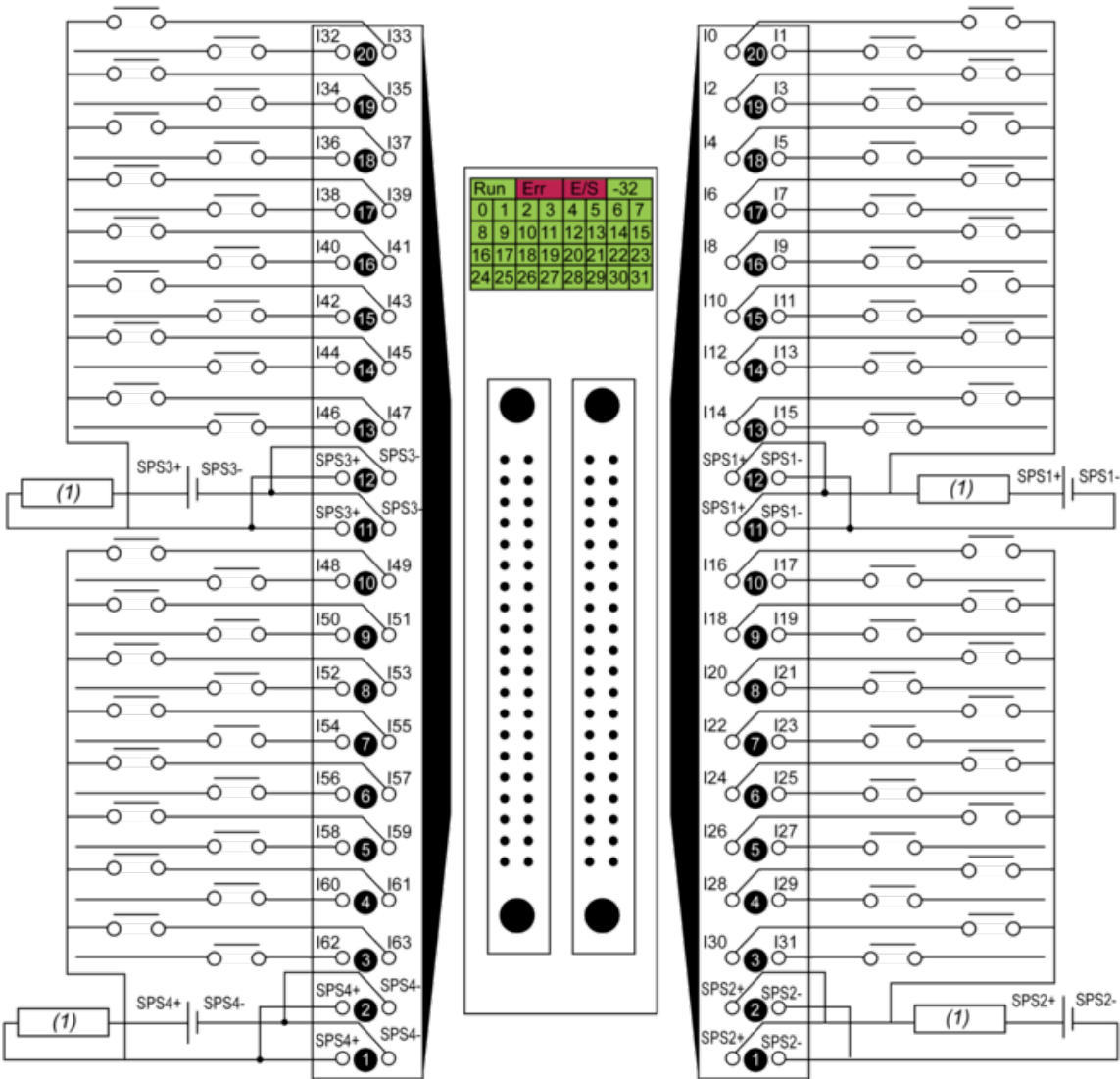
Rack references	a in mm	a in in.
BMXXBP0400 and BMXXBP0400H	242.4	09.54
BMXXBP0600 and BMXXBP0600H	307.6	12.11
BMXXBP0800 and BMXXBP0800H	372.8	14.68
BMXXBP1200 and BMXXBP1200H	503.2	19.81

**Connecting the Module**

**Input Circuit Diagram**



**Module Connection**



(1) fuse: fast blow fuse of 0.5 A for each 16-channel group  
**power supply** 24 VDC  
**SPS** sensor power supply

**Recommended replacement(s)**