

SVS VALVE PLUG FORM A 18MM FIELD-WIREABLE

24...230V LED M16x1.5

Form A (18 mm) for pressure switch

24...230 V AC/DC

LED red (2) green (3)

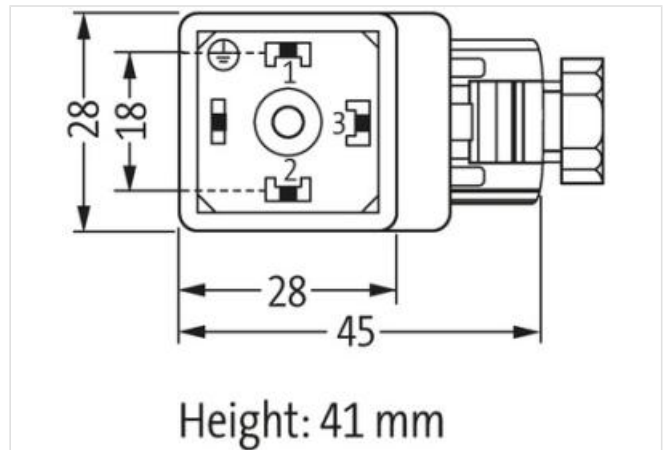
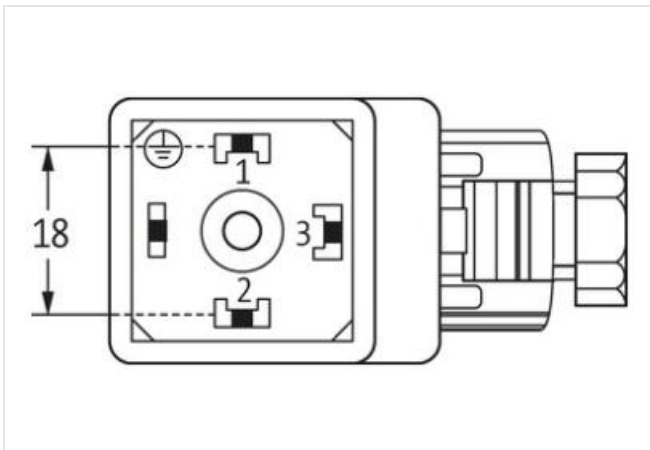
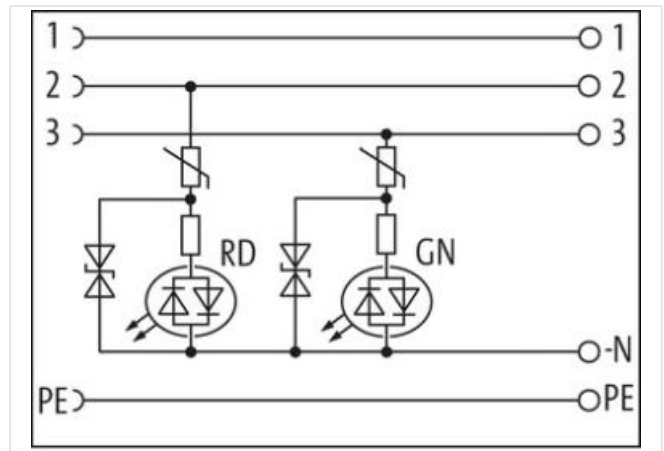
metric

Plastic housings with good resistance against chemicals and oils.

The resistance to aggressive media should be individually tested for your application. Further details on request.

[Link to Product](#)

Illustration



Product may differ from Image



Side 1

Mounting method inserted, screwed

Degree of protection (EN IEC 60529) IP65

Commercial data

ECLASS-6.0 27279221

ECLASS-7.0	27440104
ECLASS-8.0	27440104
ECLASS-9.0	27440102
ECLASS-10.1	27440105
ECLASS-11.1	27440105
ECLASS-12.0	27440105
ETIM-5.0	EC002062
customs tariff number	85366990
GTIN	4048879187503
Packaging unit	1

Electrical data | Supply

Operating voltage AC min.	24 V
Operating voltage AC max.	230 V
Operating voltage DC min.	24 V
Operating voltage DC max.	230 V
Current operating per contact max.	4 A

Diagnostics

Status indication LED	green, red
-----------------------	------------

Installation

Connection cross section max.	1,5 mm ²
-------------------------------	---------------------

Installation | Connection

Tightening torque	0,4 Nm
Mounting set	M16 x 1.5

Installation | Pin assignment

No. of poles	3 + PE
--------------	--------

Device protection | Electrical

Additional condition protection degree	inserted, screwed
Pollution Degree	2
Rated surge voltage	4 kV
Material group (IEC 60664-1)	III

Mechanical data | Mounting data

fastening screw	M3
Clamping range min.	5 mm
Clamping range max.	10 mm

Environmental characteristics | Climatic

Operating temperature min.	-20 °C
Operating temperature max.	60 °C